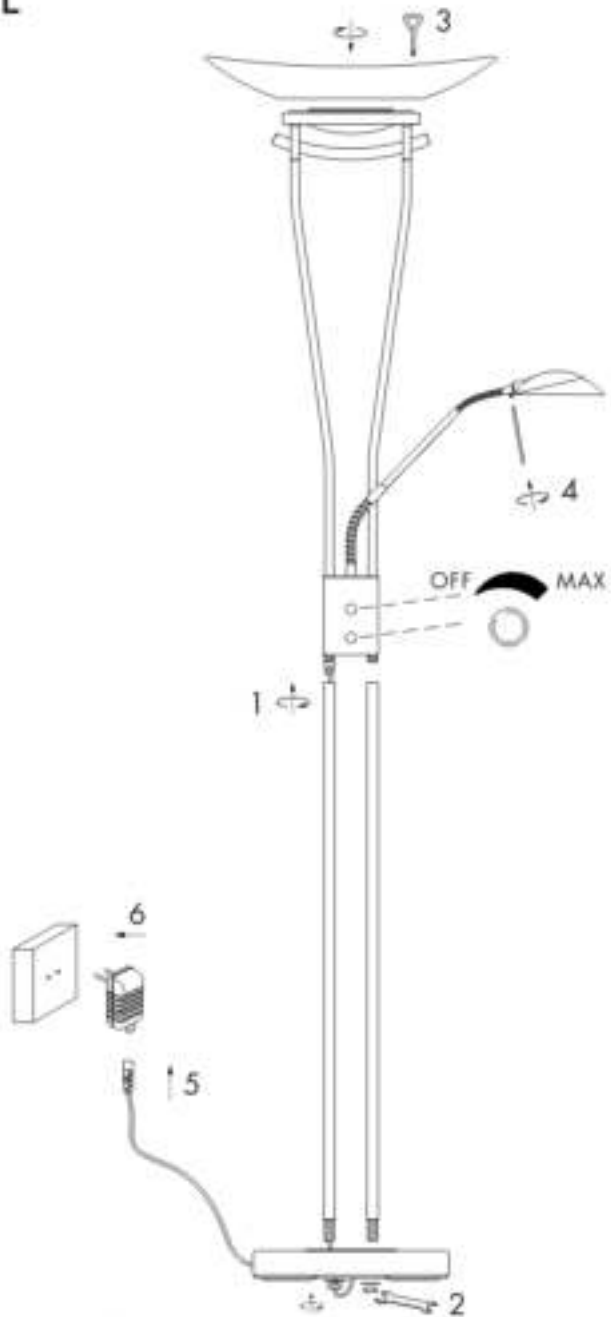


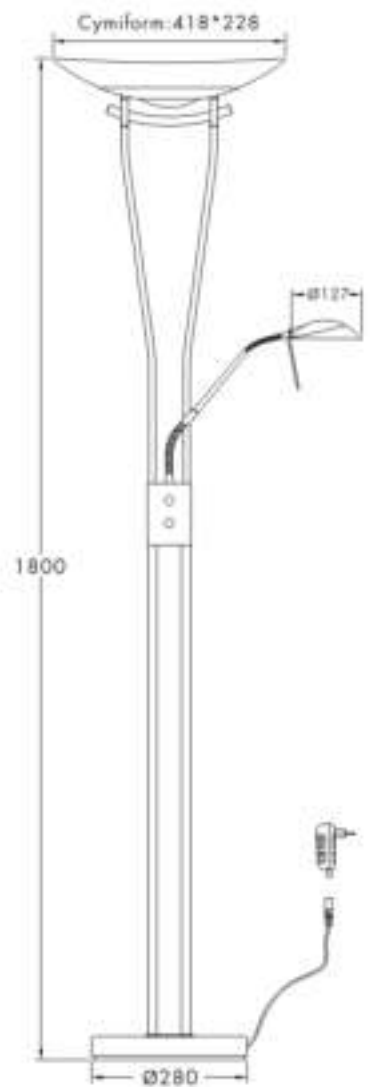
INSTRUCTION MANUAL



Lexus FL



Overall Sizes:



This item contains unchangeable LED

2000+430	LM
20+4.5	W
3000	K
>80	CRI
30000	H
15000	ON/OFF

QAZQA

WWW.QAZQA.COM