



A150.670  
A150.669  
A150.668

A150.671  
A150.672  
A150.673



---

|   |           |
|---|-----------|
| <b>1. General Information</b>                 | <b>16</b> |
| 1.1 Information about the instruction manual  | 16        |
| 1.2 Key to symbols                            | 16        |
| 1.3 Liability and Warrantees                  | 17        |
| 1.4 Copyright protection                      | 17        |
| 1.5 Declaration of conformity                 | 17        |
| <b>2. Safety</b>                              | <b>18</b> |
| 2.1 General information                       | 18        |
| 2.2 Safety instructions for use of the device | 18-19     |
| 2.3 Intended use                              | 19        |
| <b>3. Delivery, packaging and storage</b>     | <b>20</b> |
| 3.1 Delivery check                            | 20        |
| 3.2 Packaging                                 | 20        |
| 3.3 Storage                                   | 20        |
| <b>4. Technical data</b>                      | <b>21</b> |
| 4.1 Technical specification                   | 21        |
| 4.2 Overview of parts                         | 22        |
| <b>5. Installation and operation</b>          | <b>22</b> |
| 5.1 Safety instructions                       | 22-23     |
| 5.2 Installation and connection               | 23-24     |
| 5.3 Operating                                 | 24-25     |
| <b>6. Cleaning and maintenance</b>            | <b>25</b> |
| 6.1 Safety advice                             | 25        |
| 6.2 Cleaning                                  | 25-26     |
| 6.3 Safety instructions for maintenance       | 26        |
| <b>7. Possible Malfunctions</b>               | <b>27</b> |
| <b>8. Waste disposal</b>                      | <b>28</b> |

Bartscher GmbH  
Franz-Kleine-Str. 28  
D-33154 Salzkotten  
Germany

phone: +49 (0) 5258 971-0  
fax: +49 (0) 5258 971-120

## 1. General information

### 1.1 Information about the instruction manual

This instruction manual contains information about the installation, operation and maintenance of the device and should be consulted as an important source of information and reference guide.

Awareness of the safety instructions and instructions for use in this manual will ensure the safe and correct use of the device.

In addition to the information given here, you should comply with any local Health and safety Controls and generally applicable safety regulations.

The instruction manual forms part of the product and should be kept near the device and easily accessible for anyone carrying out the installation, servicing, maintenance or cleaning.

### 1.2 Key to symbols

In this manual, symbols are used to highlight important safety instructions and any advice relating to the device. The instructions should be followed very carefully to avoid any risk of accident, personal injury or material damage.



#### **WARNING!**

*This symbol highlights hazards, which could lead to injury.*

*Please follow the instructions very carefully and proceed with particular attention in these cases.*



#### **WARNING! Electrical hazard!**

*This symbol draws attention to potential electrical hazards. If you do not follow the safety instructions, you may risk injury or death.*



#### **CAUTION!**

*This symbol highlights instructions, which should be followed to avoid any risk of damage, malfunctioning and/or breakdown of the device.*



#### **NOTE!**

*This symbol highlights tips and information, which have to be followed for an efficient and trouble-free operation of the device.*



#### **WARNING! Hot external surface!**

*This symbol is a warning that the unit surface is hot when in use. Ignoring this warning may result in burns!*

### 1.3 Liability and Warrantees

All the information and instructions in this manual take into account standard safety regulations, current levels of technical engineering as well as the expertise and experience we have developed over the years.

The instruction manual was translated with all due care and attention. However, we do not accept liability for any translation errors. The German version of this instruction manual is definitive.

If the delivery consists of a special model, the actual scope of delivery may differ from the descriptions and illustrations in this manual. This is also the case for special orders or when the device has been modified in line with new technology. If you have any questions, you should contact the manufacturer.



#### **NOTE!**

***Read the instruction manual carefully before using the device. The manufacturer does not accept liability for any damage or malfunction resulting from not following the instructions for use.***

The instruction manual should be kept near the device, easily accessible for anyone wishing to work with or using it. We reserve the right to make technical changes for purposes of developing and improving the useful properties.

### 1.4 Copyright protection

The instruction manual including any texts, drawings, images or other illustrations is copyright. No part of this publication may be reproduced, transmitted or used in any form or by any means without permission in writing from the manufacturer. Any person who commits any unauthorized act in relation to this publication shall be liable to claims for damages. All rights reserved.



#### **NOTE!**

***The contents, texts, drawings, pictures and any other illustrations are copyright and subject to other protection rights. Any person unlawfully using this publication is liable to criminal prosecution.***

### 1.5 Declaration of conformity

The device complies with the current standards and directives of the EU.

We certify this in the EC declaration of conformity.

If required we will be glad to send you the according declaration of conformity.

## **2. Safety**

This section provides an overview of all important safety aspects.

In addition every chapter provides precise safety advice for the prevention of dangers which are highlighted by the use of the above mentioned symbols.

Furthermore, attention should be paid to all pictograms, markers and labels on the device, which must be kept in a permanent state of legibility.

By following all the important safety advice you gain an optimal protection against all hazards as well as the assurance of a safe and trouble-free operation.

### **2.1 General Information**

This device is designed in accordance with the presently applicable technological standards. However, the device can pose a danger if handled improperly and inappropriately.

Knowing the contents of the instruction manual as well as avoiding mistakes and thus operating this device safely and in a fault-free manner is very essential to protect yourselves from the hazards.

To prevent hazards and to ensure optimum efficiency, no modifications or alterations to the device that are not explicitly approved by the manufacturer may be undertaken.

This device may only be operated in technically proper and safe condition.

### **2.2 Safety instructions for use of the device**

The specifications regarding the industrial safety are based on the Regulations of the European Union applicable at the time of manufacturing the device.

If the device is used commercially, the user is obliged to ensure that the said industrial safety measures concur with the state of the rules and regulations applicable at the time in question for the entire period of use of the device and to comply with the new specifications.

Outside the European Union, the industrial safety laws applicable at the place of installation of the device and the regional territorial provisions must be complied with.

Besides the industrial safety instructions in the instruction manual, the general safety and accident prevention regulations as well as environment protection regulations applicable for area of application of the device must be followed and complied with.



### **CAUTION!**

- The unit is not intended for use by individuals (including children) with physical or mental disabilities, insufficient experience, and/or insufficient knowledge unless such persons are under the care of a person responsible for their safety or have received instructions regarding appropriate use of the unit.
- Children should be observed to ensure that they are not playing with the unit.
- Preserve this manual safely. When passing on/selling the device to a third party, the manuals must be handed over along with the device.
- Every person using the device must act in accordance to the manuals and under consideration of the safety advice.
- The device is to be used indoors only.

## **2.3 Intended use**



### **CAUTION!**

***This device has been designed and built for commercial use only and should be operated by qualified personnel only.***

Safe operation is only guaranteed when using the device for its intended purpose.

Any technical interventions, as well as assembly and maintenance are to be made by a qualified customer service only.

The **electric contact grill** is meant **only** for **grilling dishes**.



### **CAUTION!**

***Any use going beyond the intended purpose and/or any different use of the device is forbidden and is not considered as conventional.***

***Any claims against the manufacturer or his authorized representative as a consequence of experiencing damages resulting from unconventional use are impossible.***

***The operator is liable for all damages resulting from inappropriate use.***

## 3. Transport, packaging and storage

### 3.1 Delivery check

Please check the delivery upon completeness and transport damage immediately after receipt.

In case of visible damage do not accept or accept the delivery with reservation only.

Note the extent of damage on the carrier's bill of delivery. Trigger off the complaint.

Hidden damages should be reclaimed immediately after notice, as claims for damages can only be asserted within the effective period for complaints.

### 3.2 Packaging

Please do not throw away the covering carton of your device as it might be useful for storage purposes, when moving or, in case of damages, when the device must be sent back to a repair center. The outer and inner packing material should be removed completely from the device before installation.



#### **NOTE!**

***If you liked to dispose the packing, consider the regulations applicable in your country. Supply re-usable packing materials to the recycling.***

Please inspect the device upon completeness. In case any part is missing please contact our customer service center immediately.

### 3.3 Storage

Keep the package closed until installation and under consideration of the outside indicated positioning- and storage markings.

Packages should be stored under consideration of the following:

- Do not store outdoors.
- Keep it dry and dust-free.
- Do not expose it to aggressive media.
- Do not expose it to direct sunlight.
- Avoid mechanical shocks and vibration.
- In case of longer storage (> 3 months) make sure you check the state of the packaging and the parts regularly. If required refresh or renew.

## 4. Technical data

### 4.1 Technical data

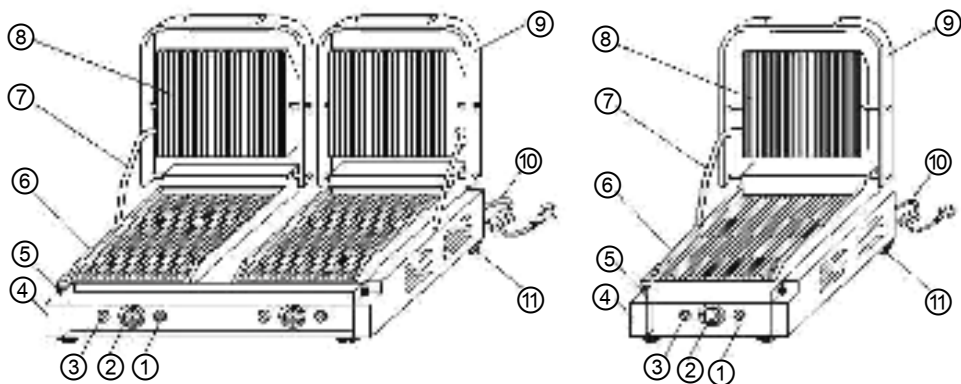
| Description                    | Electric contact grill   |                 |                                |
|--------------------------------|--|-----------------|--------------------------------|
| Order no.:                     | <b>A150.670</b>  | <b>A150.669</b> | <b>A150.668</b>                |
| Grill plates performance:      | grooved  | smooth          | Upper grooved,<br>lower smooth |
| Performance:                   | The housing made of chromium and nickel steel,<br>plates made of cast iron |                 |                                |
| Temperature range:             | 50° - 300°C  |                 |                                |
| Power:                         | 230 V ~ 50 Hz 1800 W   |                 |                                |
| Dimensions:                    | W 290 x D 370 x H 200 mm   |                 |                                |
| Dimensions top grill plate:    | W 214 x D 214 mm   |                 |                                |
| Dimensions bottom grill plate: | W 220 x D 235 mm   |                 |                                |
| Weight:                        | 14 kg  |                 |                                |

| Description                    | Electric contact grill double  |                 |                                |
|--------------------------------|--|-----------------|--------------------------------|
| Order no.:                     | <b>A150.671</b>  | <b>A150.672</b> | <b>A150.673</b>                |
| Grill plates performance:      | grooved  | smooth          | Upper grooved,<br>lower smooth |
| Performance:                   | The housing made of chromium and nickel steel,<br>plates made of cast iron |                 |                                |
| Temperature range:             | 50° - 300°C  |                 |                                |
| Power:                         | 230 V ~ 50 Hz 3600 W   |                 |                                |
| Dimensions:                    | W 570 x D 370 x H 200 mm   |                 |                                |
| Dimensions top grill plate:    | W 215 x D 215 mm   |                 |                                |
| Dimensions bottom grill plate: | W 470 x D 230 mm   |                 |                                |
| Weight:                        | 26 kg  |                 |                                |

We reserve the right to make technical changes!



## 4.2 Overview of parts



1. Temperature indicator light (red)
2. Temperature control knob
3. Network connection indicator light (green)
4. Bottom casing
5. Fat collection compartment
6. Bottom grill plate

7. Cable duct
8. Top grill plate
9. Handle
10. Mains connection cable
11. Rubber feet

## 5. Installation and operation

### 5.1 Safety instructions



#### **WARNING! Electrical hazard!**

*The device must only be connected to a properly installed single socket with protective contact.*

*Never yank cord to disconnect from outlet.*

*Cable must not touch any hot parts.*

- See that the cable does not touch any heat sources or sharp edges. Do not let the cable dangle over the counter edge.



#### **WARNING! Hot surface!**

*During operation some elements of the unit very become hot. To avoid burns, do not touch hot elements!*

- Do not use the device in case it does not function properly, has been damaged or dropped.
- Do not use any accessory or spare parts that have not been recommended by the manufacturer. These can be dangerous for the user or lead to damages of the device or personal injury, and further, the warranty expires.
- Do not lay the cable over carpets or heat insulations. Do not cover the cable. Keep away the cable from operating range and do not dunk it into water.
- Do not move or tilt the device when in operation.
- In case of thunderstorms and similar, disconnect the device from the mains immediately! This prevents damage to the device by lightning.



**CAUTION! Risk of injury!**

***Never remove the casing and never modify the device yourself! Modifying the device may lead to severe damage to persons and objects!***



**WARNING! Hazard via electrical current!**

***The device can cause injuries due to improper installation!***

***Before installation the local power grid specification should be compared with that of the device (see type label).***

***Connect the device only in case of compliance!***

***Take note of the security advice!***

## 5.2 Installation and connection



**CAUTION!**

***The installation and maintenance of the device should only be carried out by trained personnel!***

- Discard the complete packing material after unpacking the device.
- Remove the protective film from the unit. If any glue remains, remove it with an appropriate solvent.
- Place the device on top of an even and safe surface which supports the weight of the device and is not heat sensitive.
- Not **at any time** should you place the device on an inflammable surface (such as: table cloth, carpet, etc.).
- You must not position the device near open fireplaces, electric ovens/arc furnaces, furnaces/electric heaters or other heat sources.

- The electrical circuit in the socket must be secured to at least 16A. Only connect the unit directly to the wall socket; do not use any extension cords or power strips.
- Place the unit so that the plug is easily accessible and can be quickly removed from its socket in case of necessity.
- There is a ground pin on the back of the device. Please connect the earth cable with a copper cable (diameter at least 2 mm<sup>2</sup>) in conformity with the valid general safety regulations.
- The double grill shall be connected to two separate network sockets.

## 5.3 Operating

- Connect the device to a single outlet.
- A green network connection indicator light is on.
- The device is equipped with a temperature control knob. The adjustable temperature is between 50°-300°C. We recommend maintaining the maximum operating temperature between 200°-250°C.
- A red temperature indicator light turns on in the moment of setting the temperature regulation knob on the desired value.
- After turning the device on, it need approx. 10 minutes to reach the temperature of 250°C.
- When the device reaches the desired temperature, the red temperature indicator light turns off.
- If the temperature falls down for about. 10°C, the heating is turned on again and the red temperature indicator light turns on.
- Now lift the top grill with the handle to an adequate position. Pour a bit of vegetable oil onto the bottom grill and add the food. Close the grill halves. Keep an eye on the food until it is done cooking.



### **WARNING! Hot surface!**

***The contact grill gets very hot during operation, also on the sides and the top.  
Never touch the device during operation or shortly after!  
Never operate the device in a slanted position!***

- There is a fat receptacle on the front of the bottom grill, which catches the draining fat. Wait until the device, the receptacle and the content have cooled off to drain it.



**CAUTION! Danger of burning!**

*Protect your hands and face from possible fat splashes.*

- Do not use any hard or sharp object on the grill to prevent damage to the surface or the operating elements.
- Put the temperature control knob to „0“ once you are finished grilling. Remove the grilled food and pull the mains plug.



**ATTENTION!**

*The device is equipped in the overheat protection system.*

*After turning the overheat protection system on, one shall turn the device off the network socket (take out the plug!) and leave the grill to cool down. Push the RESET button located at the bottom of the device.*

*In case of frequent turning on of the overheat protection system within the short intervals, it is recommended to contact the service.*

- If the device is not in use, remove it from the outlet (pull out the plug!)

## 6. Cleaning and maintenance

### 6.1 Safety advice

- Before beginning with repair or cleaning works make sure the device has been disconnected from power socket (pull the power plug!!!) and has cooled down.
- Do not use any acid agents and make sure no water ingresses the device.
- To protect yourself from electric shock, **never** immerse the device, its cables and the plug in water or other liquids.



**CAUTION!**

*The device is not suited for direct washing via water jets. Therefore, you must not use any kind of pressure water jet for cleaning the device!*

### 6.2 Cleaning

- Clean the device after each use.
- Use soft cloth only and make sure you **never** use any kind of abrasive agents or pads, which could scratch the surface.
- **Never** use any aggressive cleaning agents or sprays.

- Clean the casing, the handle and the outside of the top grill with a damp cloth. Use a mild detergent in case the device is really dirty.
- Grill plates shall be washed inside with a soft damp cloth and sensitive cleaning agent.
- Wipe the grill plates grooved on the inside with warm water and a damp cloth.
- Remove heavier dirt with the enclosed brush from the grills.
- If the device is really dirty, lubricate the still warm grills with oil on the inside, leave to soak for a few minutes and then clean off the grills with soft cloth.
- Clean the fat receptacle with warm water and a mild detergent. Be careful when cleaning the removable fat receptacle. Always leave the fat to cool down before disposing of it.
- After the cleaning procedure you should use a soft and dry cloth to wipe dry and polish the surface.
- Before storing the device in a dry place you should make sure it has been cleaned properly.

### 6.3 Safety instructions for maintenance

- Check the mains connection cable for damage from time to time. Never operate the device when the cable is damaged. A damaged cable must immediately be replaced by customer service or a qualified electrician to avoid dangers.
- In case of damage or malfunction, please contact your stockist or our customer service centre. Pay attention to the troubleshooting tips in pt. 7.
- Only a qualified technician and using original spare parts and accessories should carry out repairs and maintenance of the device. **Do not attempt to repair the device yourself.**

## 7. Possible Malfunctions

| Problem   | Cause   | Solution   |
|---|---|--|
| <p><b>Grill plates do not get warm although the device has been turned on and the red temperature indicator light is on.</b></p>  | <ol style="list-style-type: none"> <li>1. Temperature control knob is defect.</li> <li>2. At least one of the heater cables is defect.</li> <li>3. The overheat protection system is on.</li> </ol> | <ol style="list-style-type: none"> <li>1. Contact the retailer</li> <li>2. Contact the retailer</li> <li>3. Leave the grill to cool down, push the <b>RESET</b> button at the bottom of the device.</li> </ol> |
| <p><b>The device has been turned on, the temperature regulation knob has been started, the red temperature indicator light is on, but it is not possible to regulate temperature.</b></p> | <ol style="list-style-type: none"> <li>1. Temperature control knob is defect.</li> </ol>  | <ol style="list-style-type: none"> <li>1. Contact the retailer</li> </ol>  |
| <p><b>The red temperature indicator light is not on, although the device is turned on and the process of cooking goes in usual way.</b></p>   | <ol style="list-style-type: none"> <li>1. Temperature indicator light is damaged.</li> </ol>  | <ol style="list-style-type: none"> <li>1. Contact the retailer</li> </ol>  |
| <p><b>The green network connection indicator light is not on, although the device is turned on.</b></p>   | <ol style="list-style-type: none"> <li>2. Abnormal or interrupted power supply.</li> <li>3. Fuse has blown.</li> </ol>  | <ol style="list-style-type: none"> <li>1. Check the power supply and the cable for damage or faults.</li> <li>2. Contact the retailer</li> </ol>   |

The above problems only serve for orientation and as examples. Should these or similar problems occur, turn the device off immediately and discontinue using it. For having the device checked and repaired, contact qualified service personnel or the dealer immediately.

## 8. Waste disposal

### Discarding old devices

At the end of its service life the discarded device has to be disposed in accordance with the national regulations. It is advisable to contact a company which is specialized in waste disposal, or just contact the local disposal service in your community.



#### **WARNING!**

***To exclude any abuse and the dangers involved make the waste device unfit for use before disposal. For that purpose disconnect device from mains supply and remove mains connection cable from the device.***



#### **NOTE!**



***For the disposal of the device please consider and act according to the national and local rules and regulations.***

Bartscher GmbH  
Franz-Kleine-Str. 28  
D-33154 Salzkotten  
Germany

phone: +49 (0) 5258 971-0  
fax: +49 (0) 5258 971-120