

# COMPUTER DESK

## ASSEMBLY INSTRUCTIONS

Thank you for choosing to purchase from Piranha Furniture. We trust everything is as expected, however if there are **ANY** issues at all or you have further questions, please don't hesitate to email us and we will resolve the matter as quickly as possible:

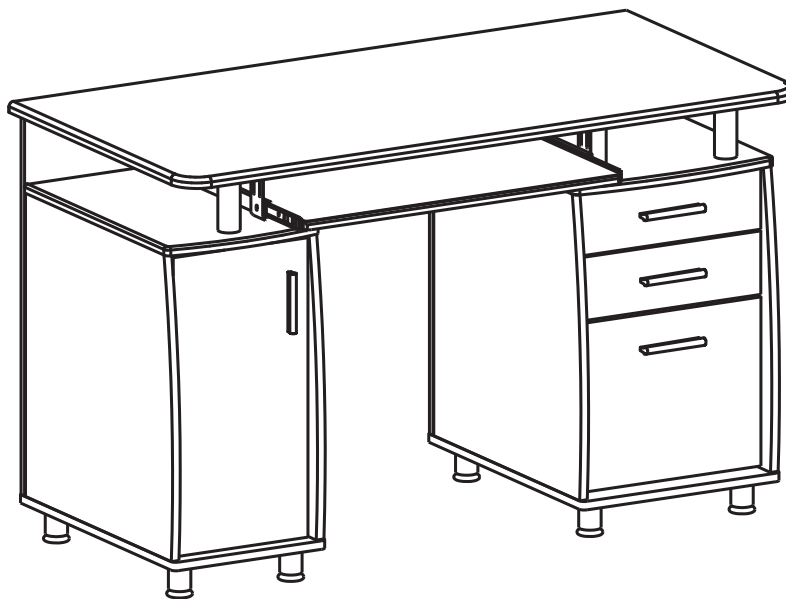
**United Kingdom:** [sales@piranhafurniture.com](mailto:sales@piranhafurniture.com)

**Rest of EU:** [info@piranhaeurope.com](mailto:info@piranhaeurope.com)

You can contact us through our website [www.piranhafurniture.com](http://www.piranhafurniture.com) where you will also find our full range of products.

**Please read the assembly instructions carefully before the installation**

**Retain all packaging as, if required, goods must be returned packed in the original cartons.**



**TWO PEOPLE REQUIRED**

**MODEL PC2**

**General Care:**

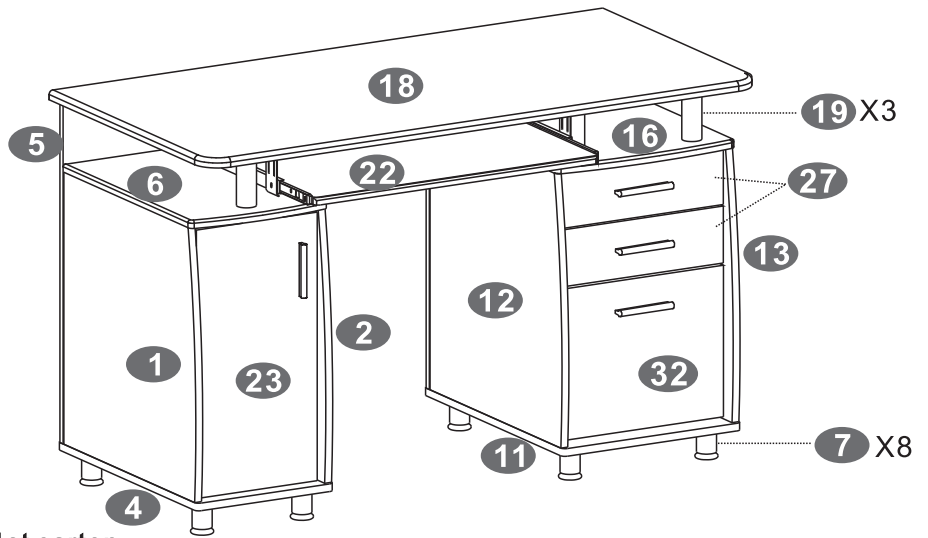
Keep furniture out of direct sunlight. Use mats and coasters to protect surfaces.  
Do not place hot or wet items directly onto unprotected surfaces.

**Cleaning:**

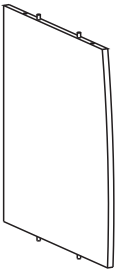
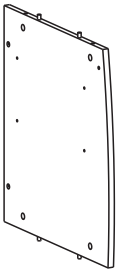

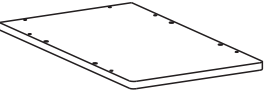
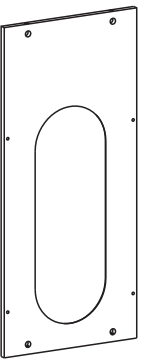
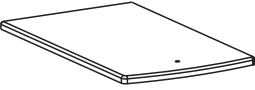

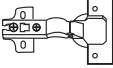

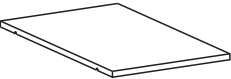
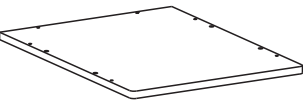
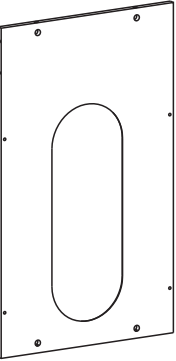
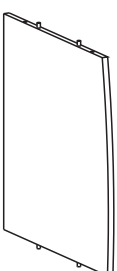
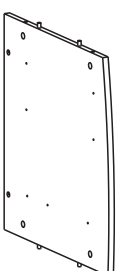
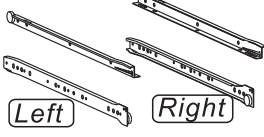
Wipe surfaces with a clean damp (not wet) cloth then dry with a clean lint free cotton cloth.  
Glass surfaces may be polished with window or other glass cleaning liquids.



### ▀ PARTS LIST



1/2 means this part is packed inside 1st carton  
 2/2 means this part is packed inside 2nd carton

1/2  X1	1/2  X1	2/2  X8	1/2  X1
2/2  X1	1/2  X1	2/2  X8	2/2  X2
X1 2/2  X1	2/2  X1	2/2  X1	2/2  X1
1/2  X1	1/2  X1	2/2  X2 Left Right	



$\frac{2}{2}$  X1	$\frac{2}{2}$  X1	$\frac{1}{2}$  X1	
$\frac{2}{2}$  X3	$\frac{2}{2}$  X1	$\frac{2}{2}$  X4	$\frac{2}{2}$  X1
$\frac{2}{2}$  X1	$\frac{2}{2}$  X4	$\frac{2}{2}$  X2	$\frac{2}{2}$  X2
$\frac{2}{2}$  X2	$\frac{1}{2}$  X3	$\frac{2}{2}$  X2	$\frac{1}{2}$  X1
$\frac{1}{2}$  X1	$\frac{2}{2}$  X1	$\frac{2}{2}$  X1	$\frac{2}{2}$  X2
$\frac{2}{2}$  X4	$\frac{2}{2}$  X1	$\frac{2}{2}$  X2	$\frac{2}{2}$  X1
			$\frac{2}{2}$  X8

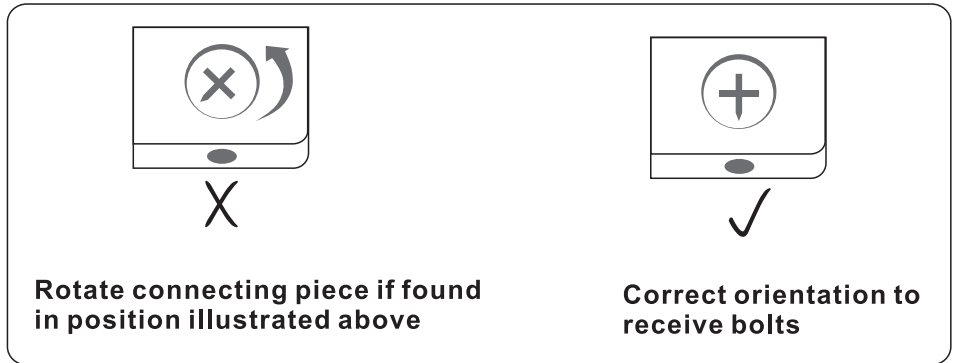
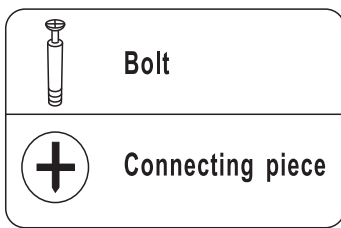


### ▪SCREWS LIST

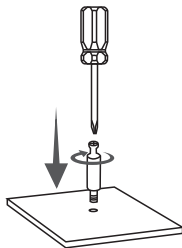
PART	QTY.	ITEM	
<b>A</b>	3	6X35 MM	
<b>B</b>	12	4X35 MM	
<b>C</b>	22	3X15 MM	
<b>D</b>	8	4X20 MM	
<b>E</b>	16	6X40 MM	
<b>F</b>	48	4X14 MM	
<b>G</b>	8	4X16 MM	

PART	QTY.	ITEM	
<b>H</b>	12	6X12 MM	
<b>I</b>	4	4X4 MM	
<b>J</b>	3	Φ40 MM	
<b>K</b>	20	6X25 MM	
<b>L</b>	22	3X12 MM	
	1		

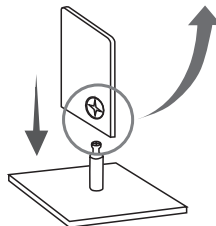
### 6X40MM 6X25MM BOLT INSTALLATION AS BELOW:



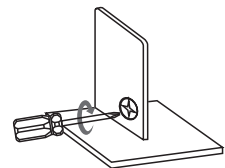
**A1.**



**A2.**



**A3.**





ASSEMBLY STEPS:

**1**

**SCREWS**  
**L** 3X12 MM  
 4PCS

**2**

**SCREWS**  
**H** 6X12 MM  
 2PCS

**3**

**SCREWS**  
**B** 4X35 MM  
 4PCS

**4**

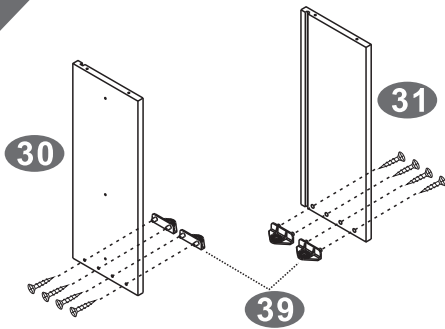
**SCREWS**  
**C** 3X15 MM  
 4PCS

**5**

**SCREWS**  
**D** 4X20 MM  
 2PCS

**REPEAT FOR THE BOX DRAWER**

6



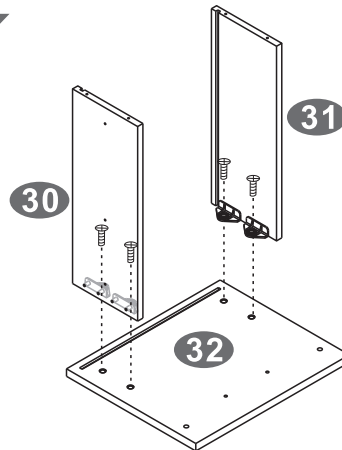
■ SCREWS

**L** 3X12 MM

8PCS



7



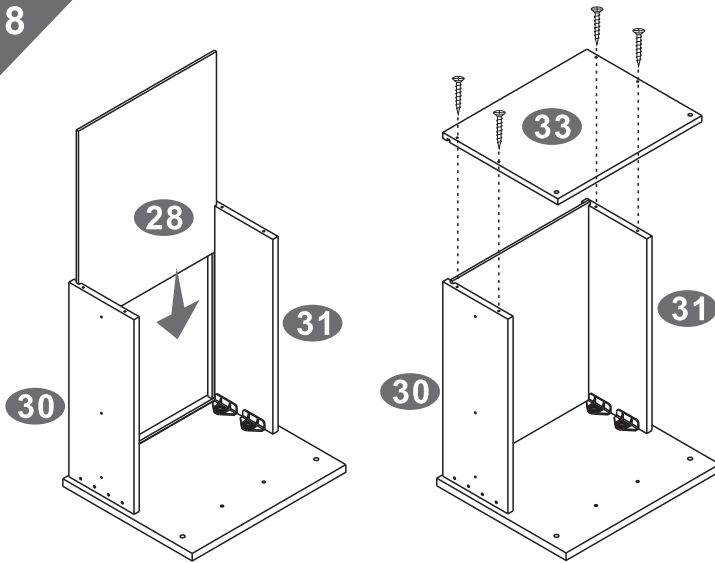
■ SCREWS

**H** 6X12 MM

4PCS



8



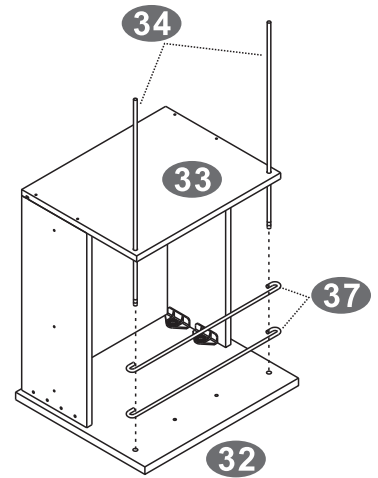
■ SCREWS

**B** 4X35 MM

4PCS

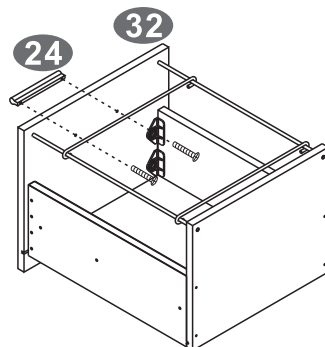


9



▲ Be careful not to overtighten the metal rod

10



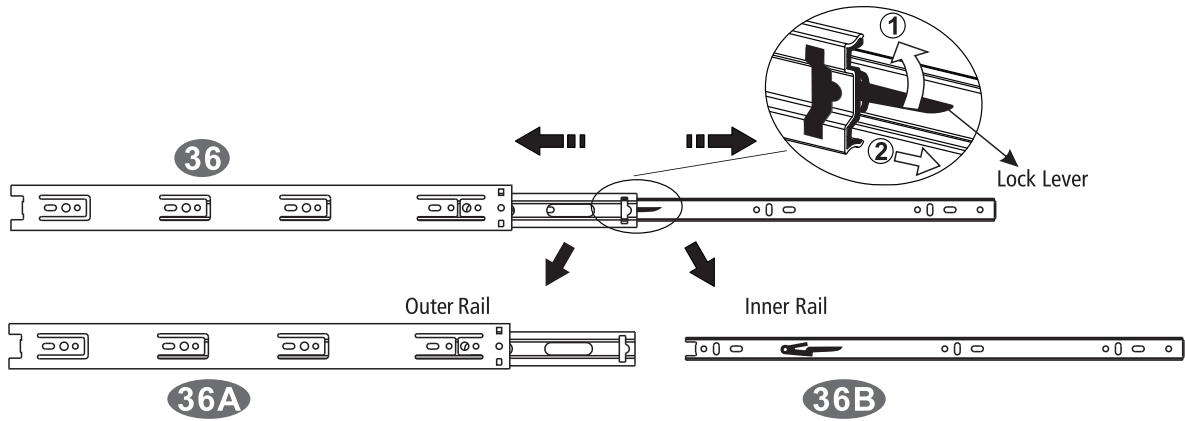
■ SCREWS

**D** 4X20 MM

2PCS

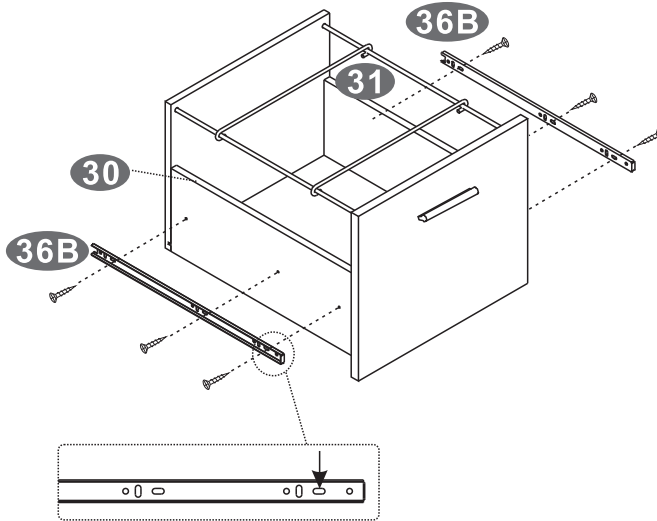


11



move the lock lever on the inner rail as shown and separate the outer rail (36a) and inner rail (36b) from the 2 file drawer slides (36)

12



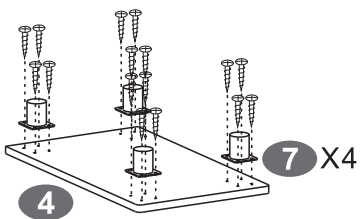
■ SCREWS

**L** 3X12 MM

6PCS



13



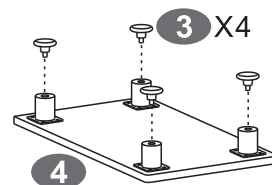
■ SCREWS

**F** 4X14 MM

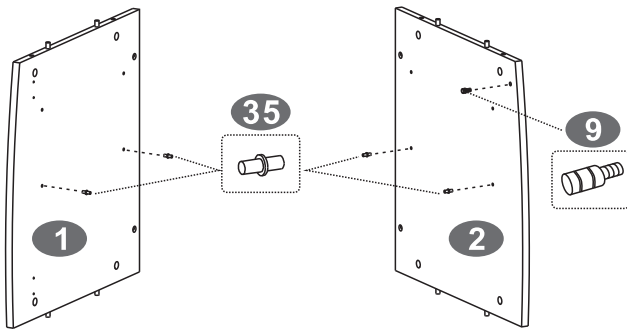
16PCS



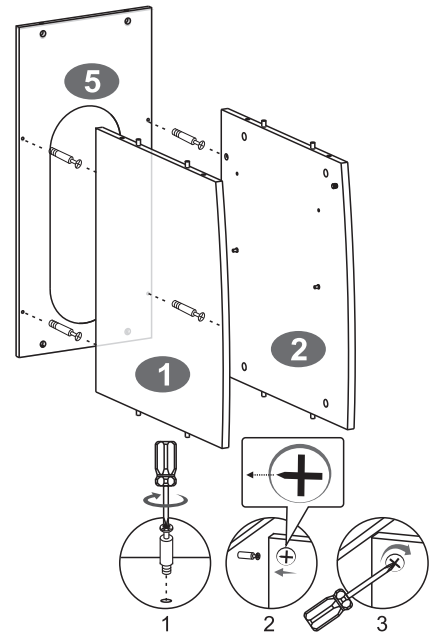
14



15



16



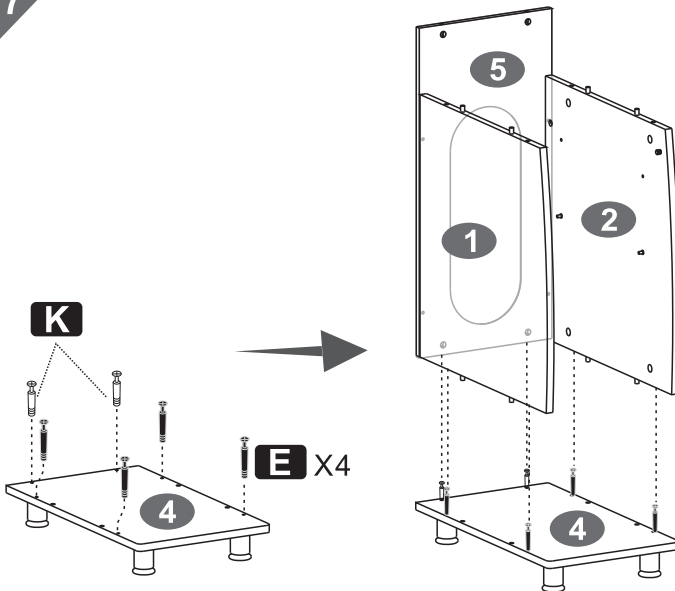
■ SCREWS

**K** 6X25 MM

4PCS



17



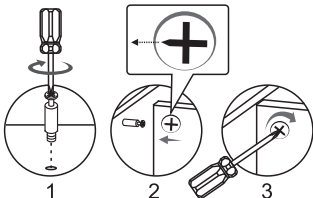
■ SCREWS

**E** 6X40 MM

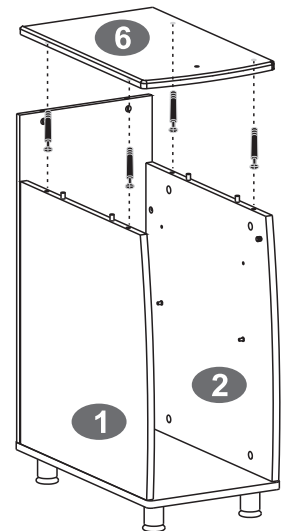
4PCS

**K** 6X25 MM

2PCS



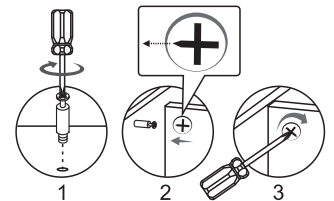
18



■ SCREWS

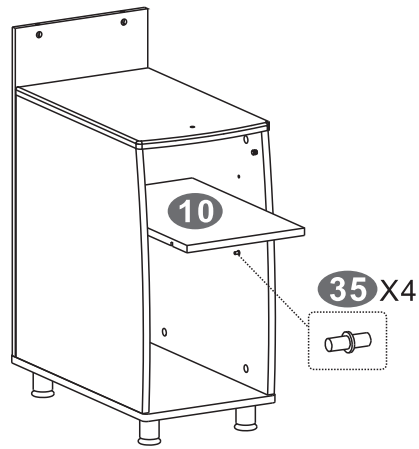
**E** 6X40 MM

4PCS

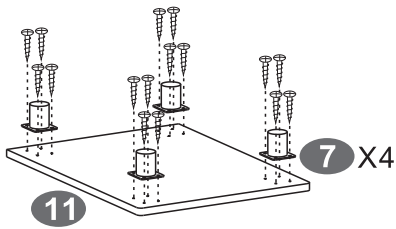




19



20



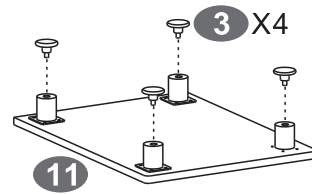
SCREWS

F 4X14 MM

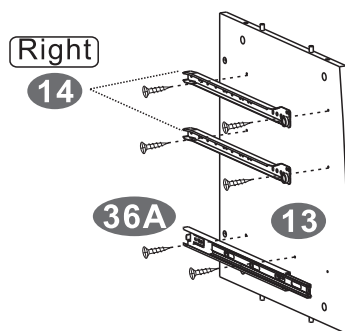
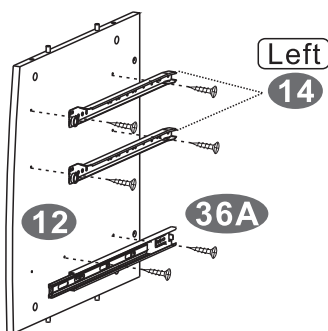
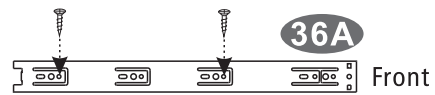
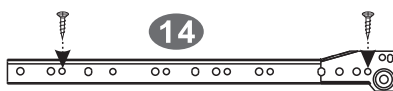
16PCS



21



22



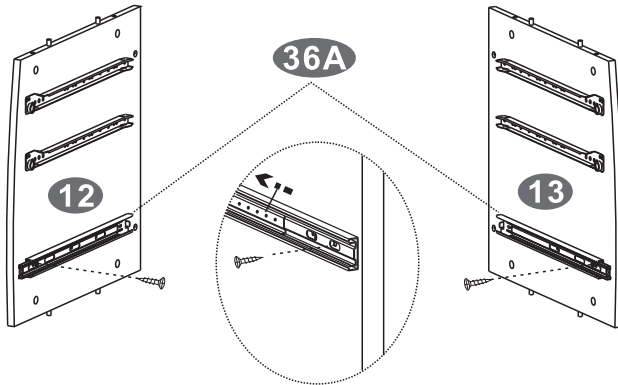
SCREWS

C 3X15 MM

12PCS



23



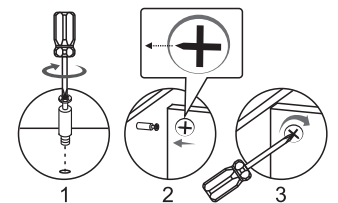
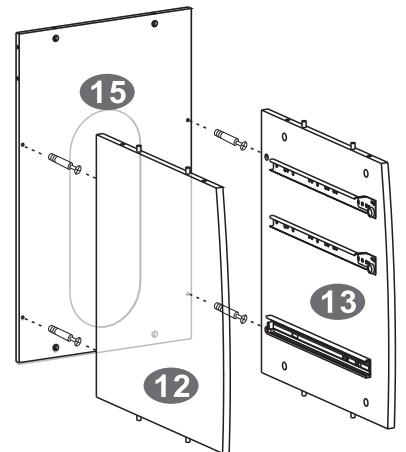
■ SCREWS

**C** 3X15 MM

2PCS



24



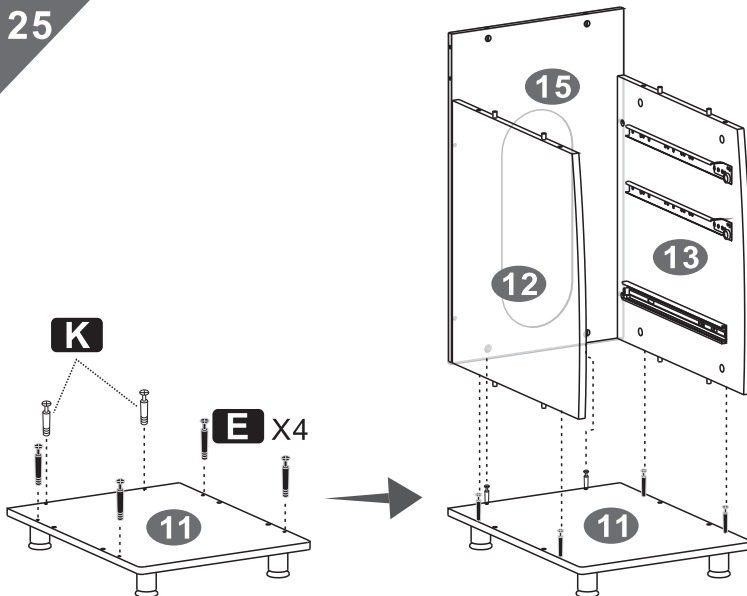
■ SCREWS

**K** 6X25 MM

4PCS



25



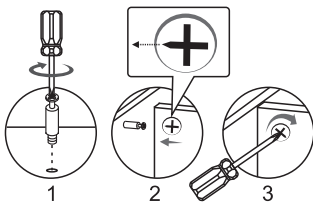
■ SCREWS

**E** 6X40 MM

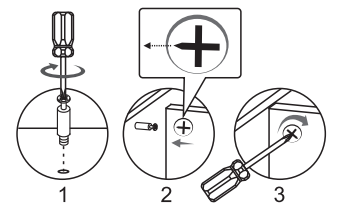
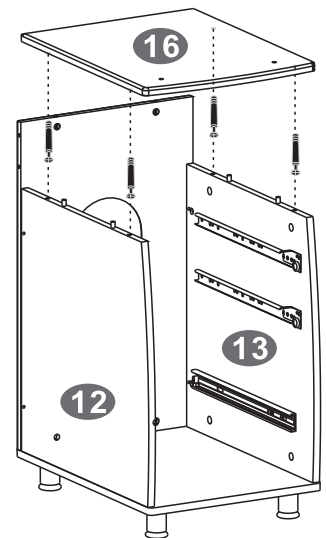
4PCS

**K** 6X25 MM

2PCS



26



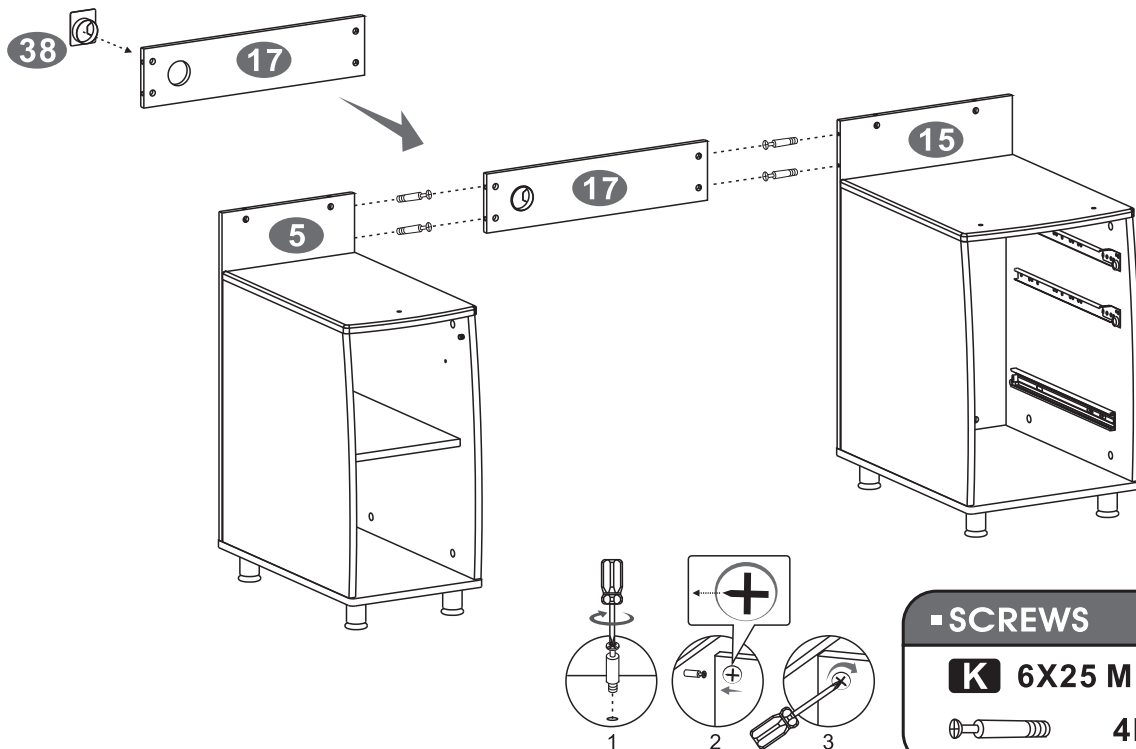
■ SCREWS

**E** 6X40 MM

4PCS



27



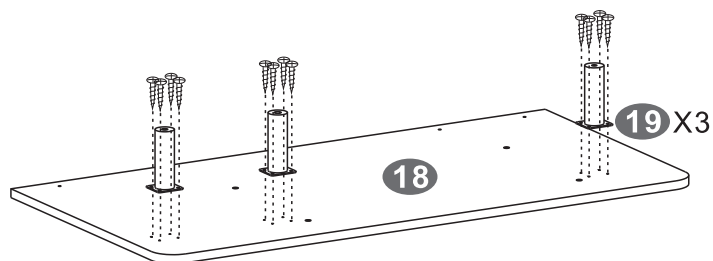
■ SCREWS

**K** 6X25 MM

4PCS



28



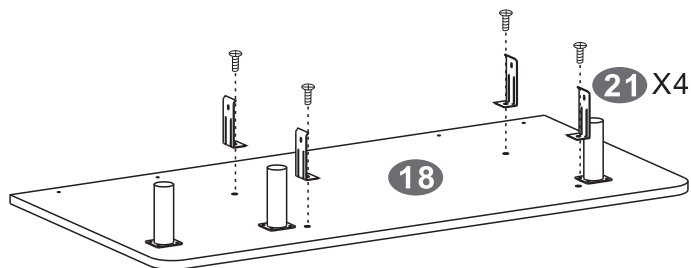
■ SCREWS

**F** 4X14 MM

12PCS



29



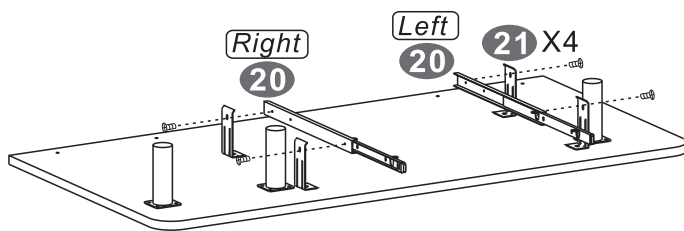
■ SCREWS

**H** 6X12 MM

4PCS



30



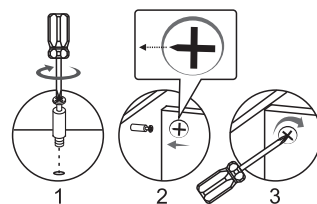
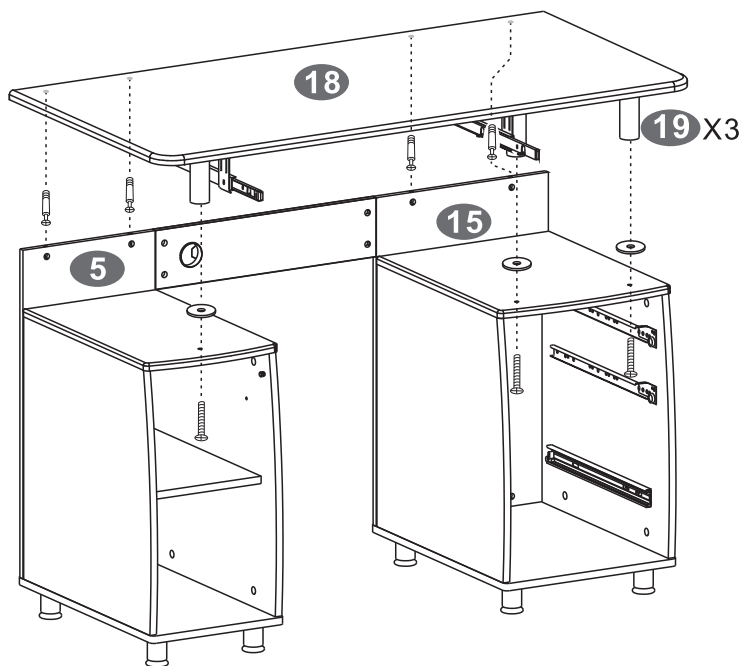
SCREWS

**L** 4X4 MM

 4PCS



31



SCREWS

**A** 6X35 MM

 3PCS



**J**  $\Phi$  40 MM

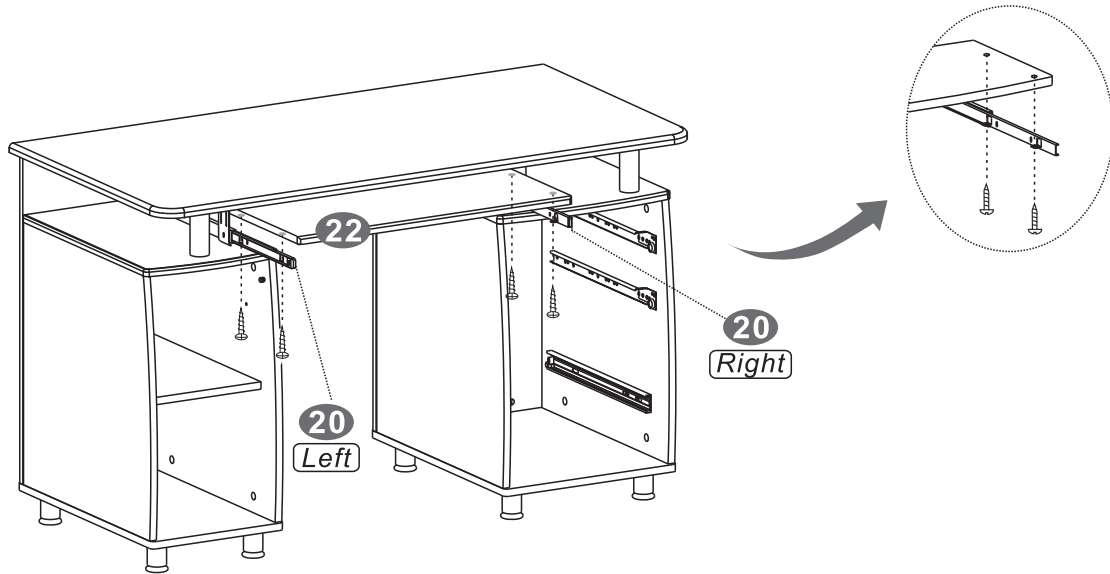
 3PCS

**K** 6X25 MM



 4PCS




32

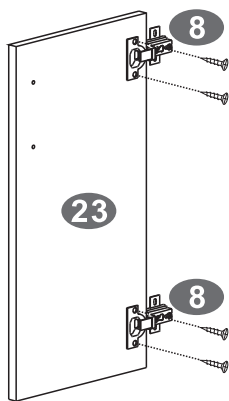


▪ SCREWS



**F** 4X14 MM  


 4PCS

33

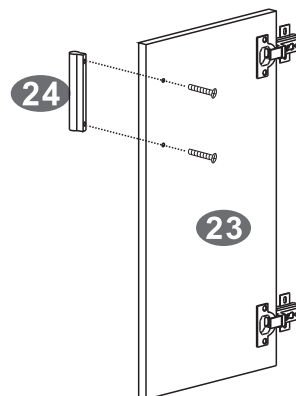


▪ SCREWS



**G** 4X16 MM  


 4PCS

34

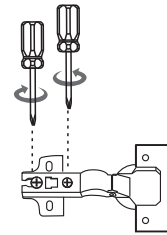
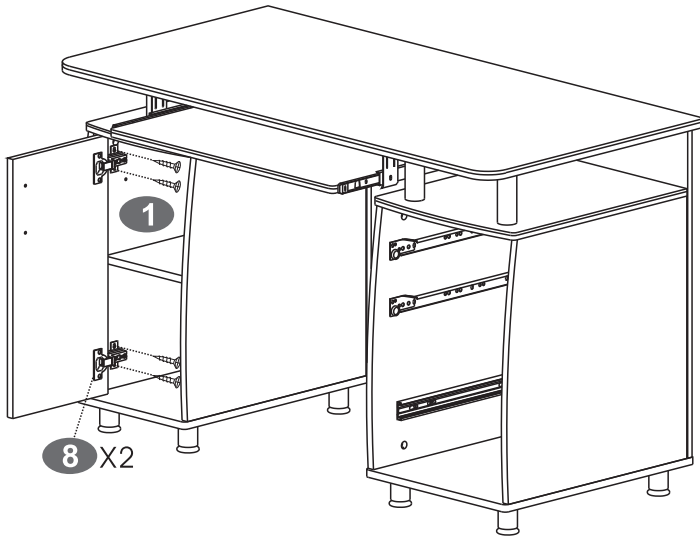


▪ SCREWS

**D** 4X20 MM  

 2PCS

35



■ This direction for tighten, reverse for separating or adjust fitting's distance

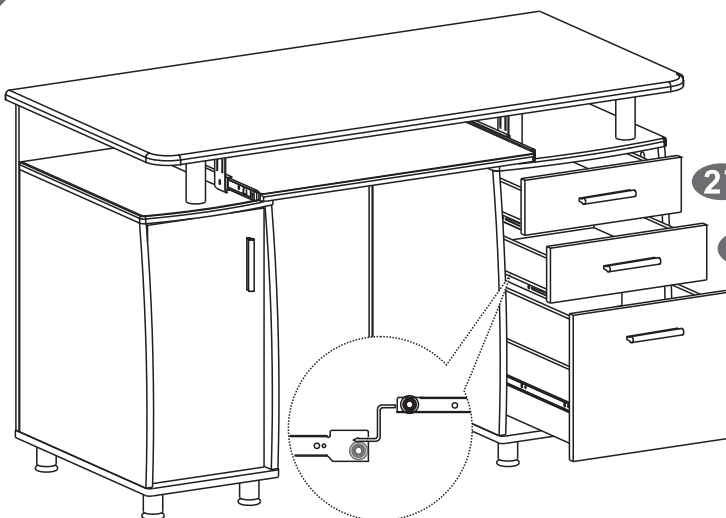
■ SCREWS

**G** 4X16 MM

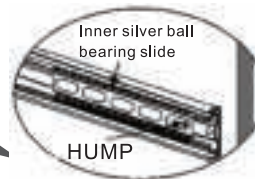
4PCS



36



1st



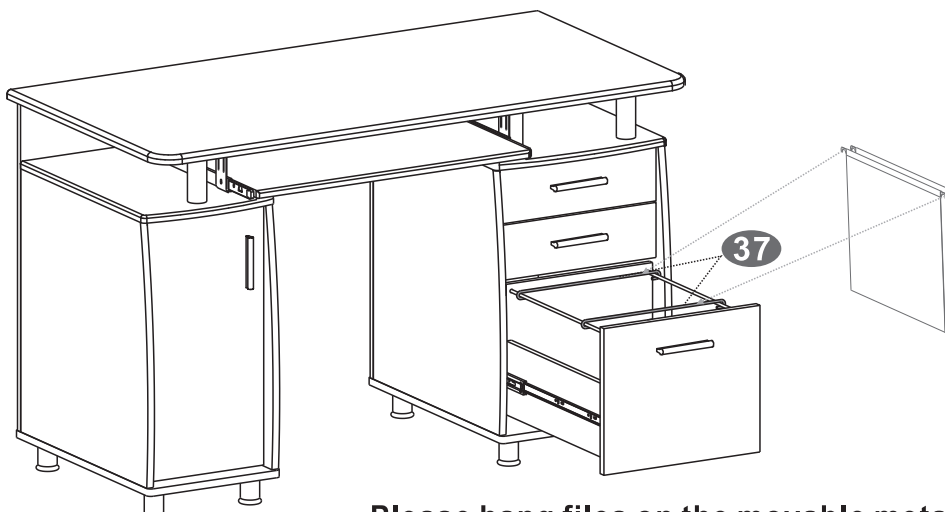
Make sure inner silver ball bearing slide is at the front of the slide mount and in lock position (over the hump), as shown.

2nd



Align both sides of slide runners to slide mounts' openings, then slide all the way in. Apply small force to insert completely if needed.

37



Please hang files on the movable metal hook part 37