

STORE CABINET

ASSEMBLY INSTRUCTIONS

Thank you for choosing to purchase from Piranha Furniture. We trust everything is as expected, however if there are **ANY** issues at all or you have further questions, please don't hesitate to email us and we will resolve the matter as quickly as possible:

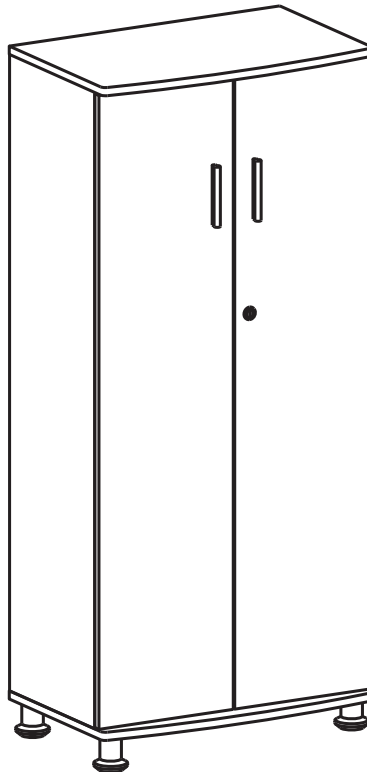
United Kingdom: sales@piranhafurniture.com

Rest of EU: info@piranhaeurope.com

You can contact us through our website www.piranhafurniture.com where you will also find our full range of products.

Please read the assembly instructions carefully before the installation

Retain all packaging as, if required, goods must be returned packed in the original cartons.



TWO PEOPLE REQUIRED

MODEL PC6

General Care:

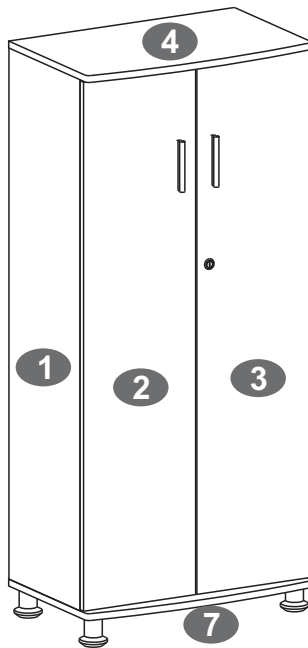
Keep furniture out of direct sunlight. Use mats and coasters to protect surfaces.
Do not place hot or wet items directly onto unprotected surfaces.

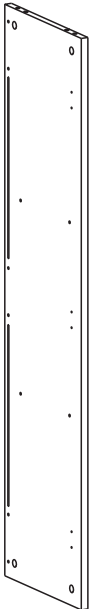

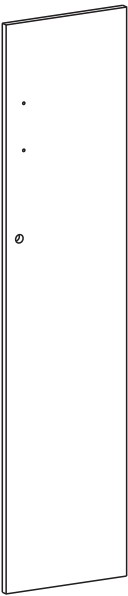



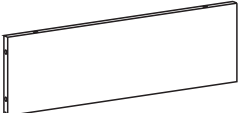
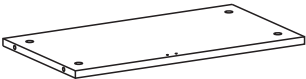
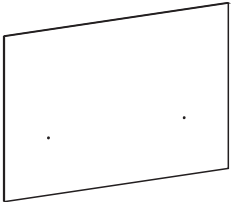
Cleaning:

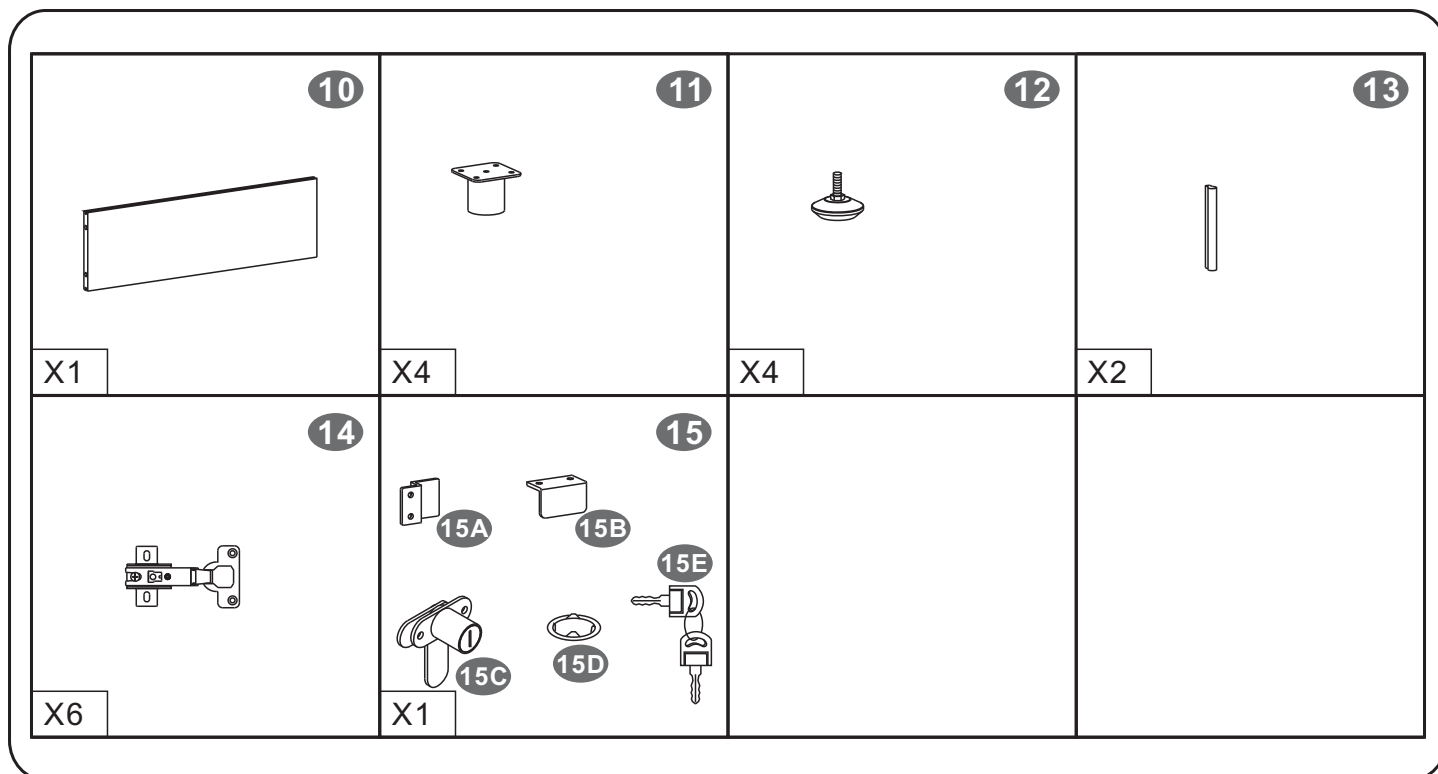
Wipe surfaces with a clean damp (not wet) cloth then dry with a clean lint free cotton cloth.
Glass surfaces may be polished with window or other glass cleaning liquids.



■PARTS LIST



 <p>1</p> <p>X2</p>	 <p>2</p> <p>X1</p>	 <p>3</p> <p>X1</p>	 <p>4</p> <p>X1</p>
 <p>6</p> <p>X1</p>	 <p>7</p> <p>X1</p>	 <p>8</p> <p>X2</p>	 <p>5</p> <p>X1</p>  <p>9</p> <p>X2</p>

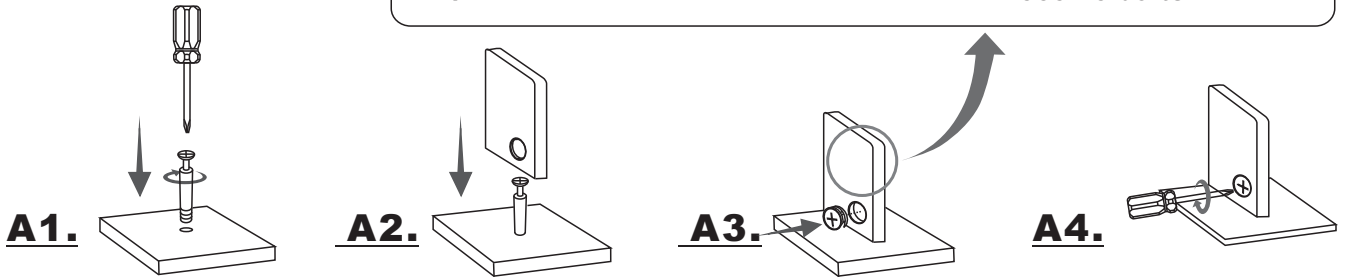
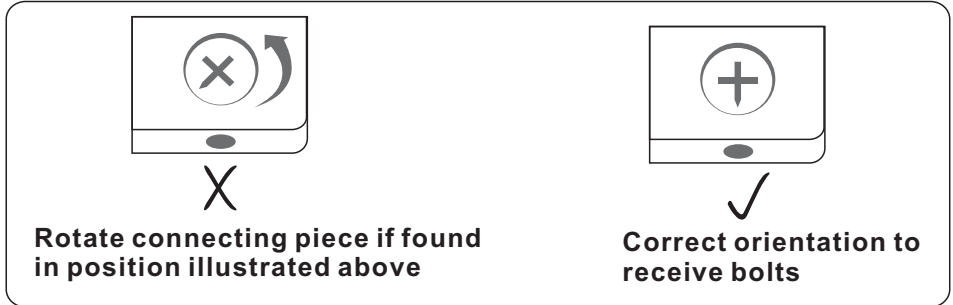
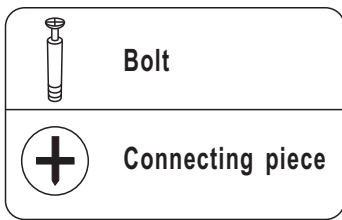


▪SCREWS LIST

PART	QTY.	ITEM	
A	32	6X40 MM	
B	4	4X20 MM	
C	24	4X16 MM	
D	20	4X14 MM	
E	6	3X15 MM	

PART	QTY.	ITEM	
F	2		
G	8	8X30 MM	
H	32	Φ 15 MM	
	1		
	1		

6X40MM BOLT INSTALLATION AS BELOW:



ASSEMBLY STEPS:

1

11 X4

12 X4

11 X4

SCREWS

- D** 4X14 MM 16PCS

2

8

10

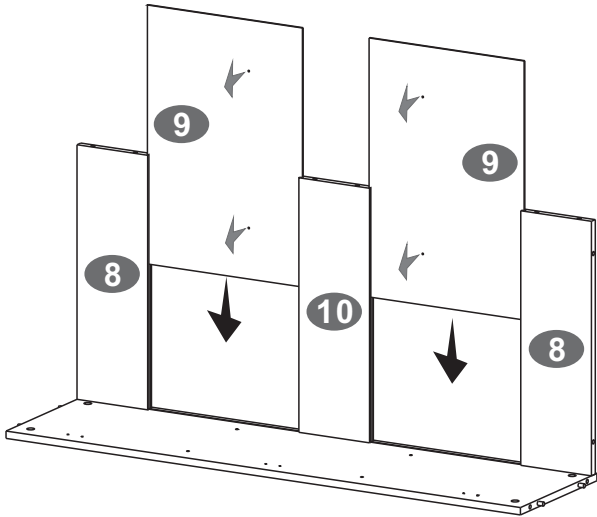
8

1

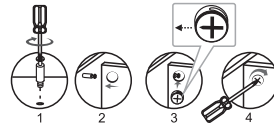
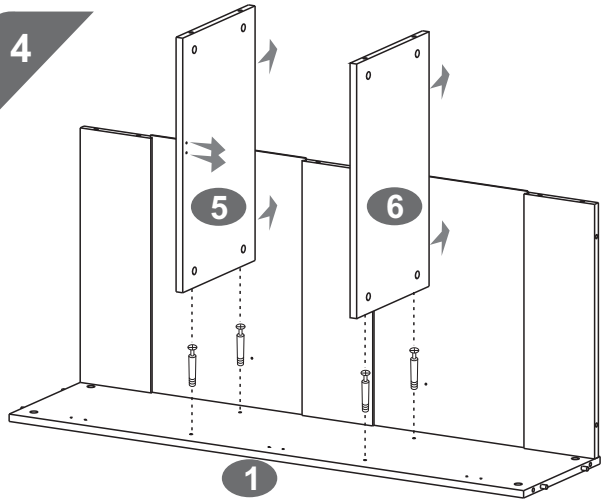
SCREWS

- A** 6X40 MM 6PCS
- H** Φ 15 MM 6PCS
- G** 8X30 MM 4PCS

3



4



SCREWS

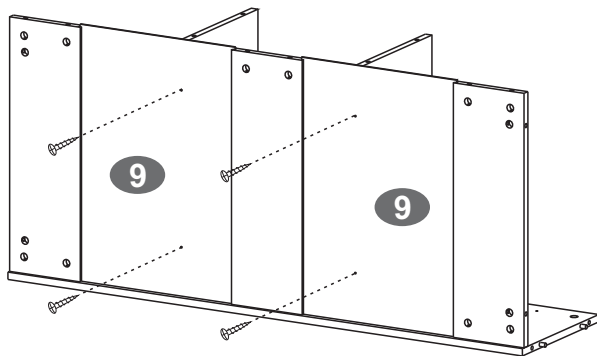
A 6X40 MM

4PCS

H Φ 15 MM

4PCS

5

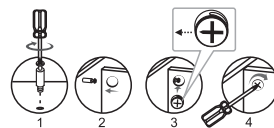
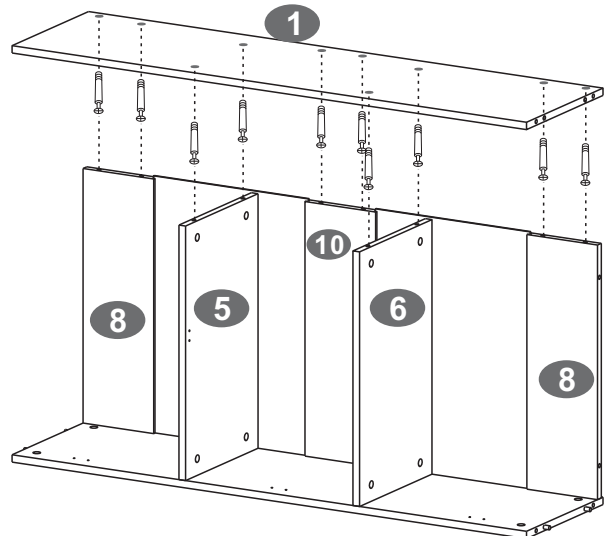


SCREWS

D 4X14 MM

4PCS

6



SCREWS

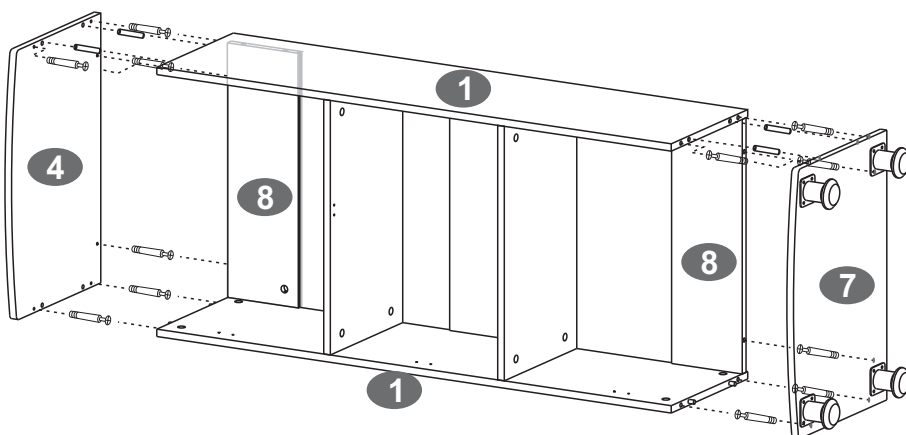
A 6X40 MM

10PCS

H Φ 15 MM

10PCS

7



■ SCREWS

A 6X40 MM

12PCS

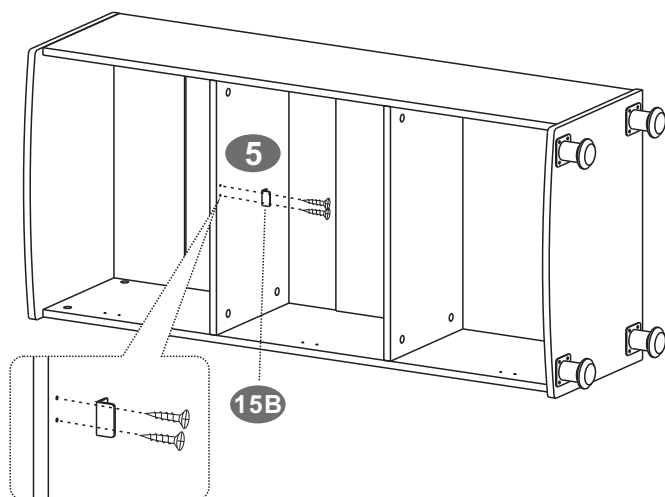
H Φ 15 MM

12PCS

G 8X30 MM

4PCS

8

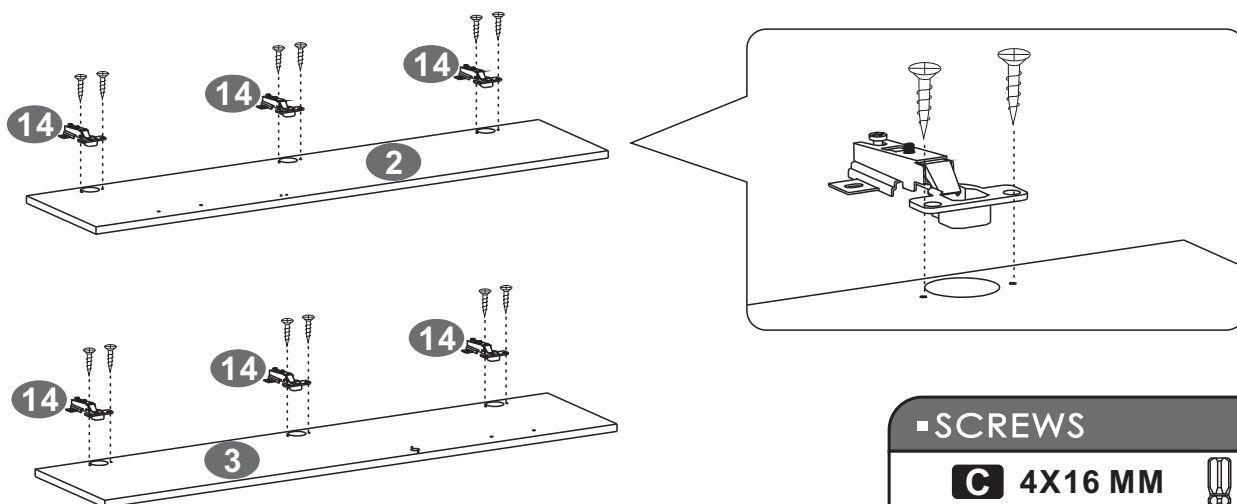


■ SCREWS

E 3X15 MM

2PCS

9

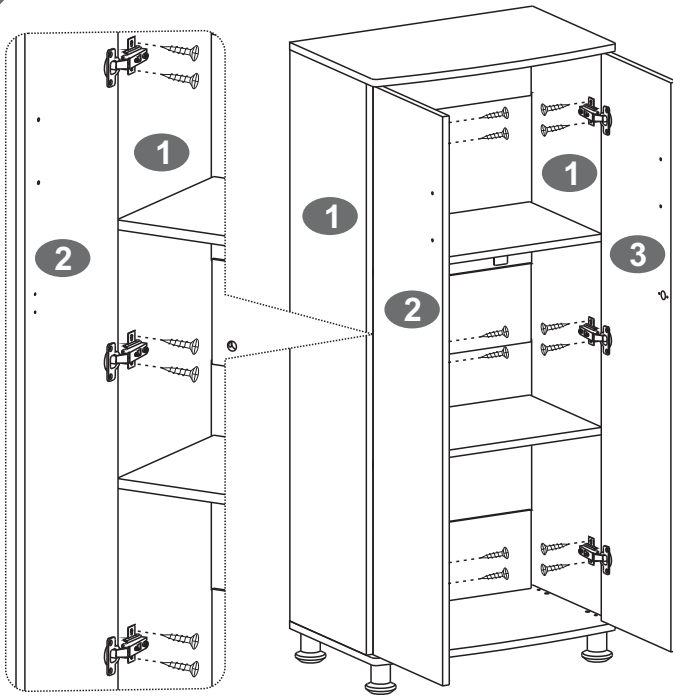


■ SCREWS



C 4X16 MM

12PCS

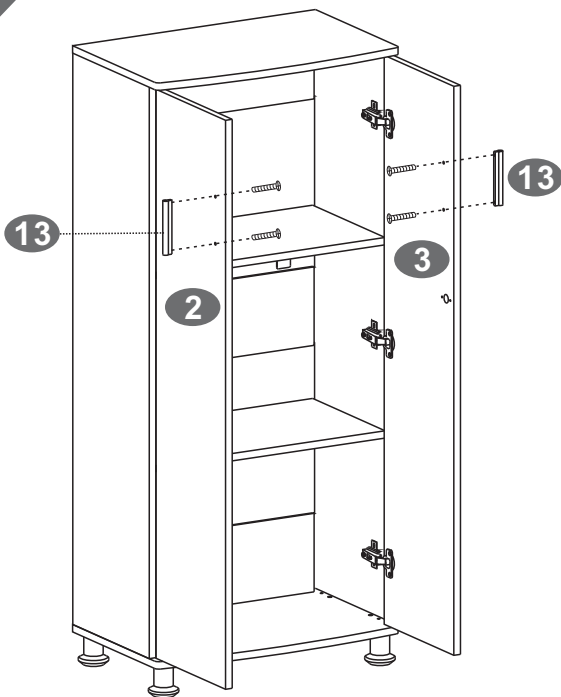
10





■ SCREWS

C 4X16 MM  12PCS 

11

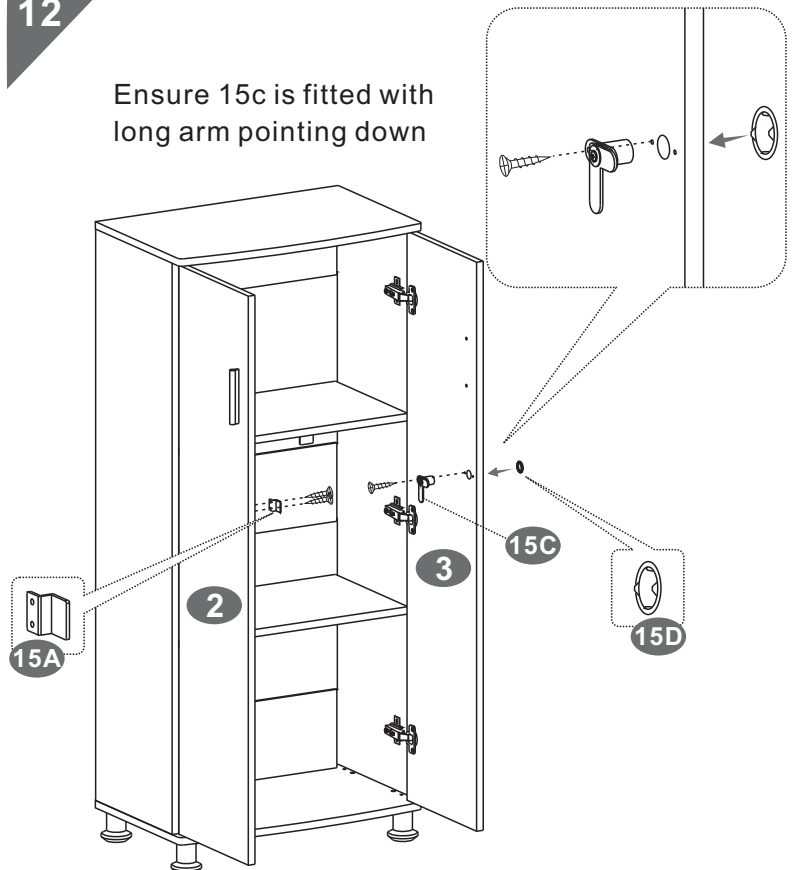


■ SCREWS

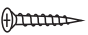

B 4X20 MM  4PCS 

12

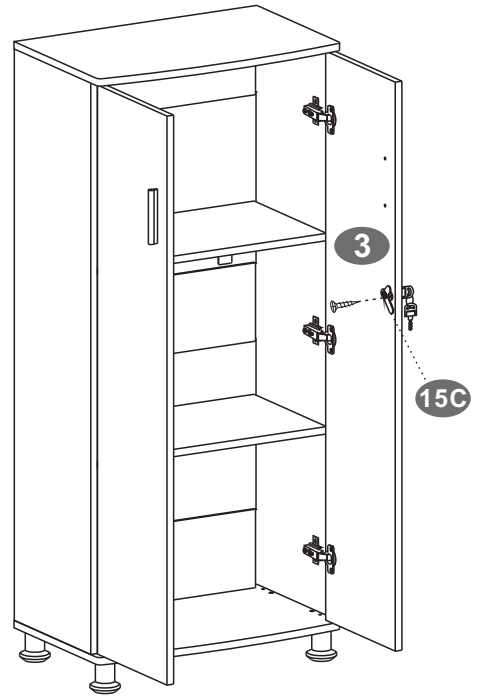
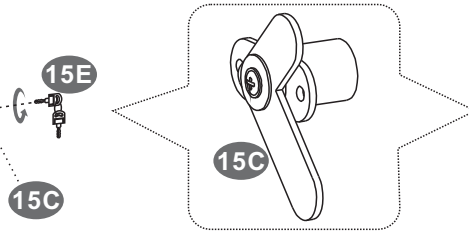
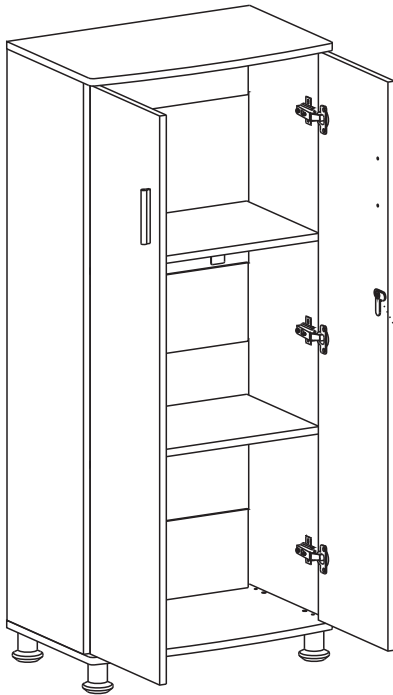
Ensure 15c is fitted with long arm pointing down



■ SCREWS

E 3X15 MM  3PCS 

13



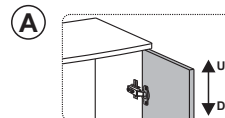
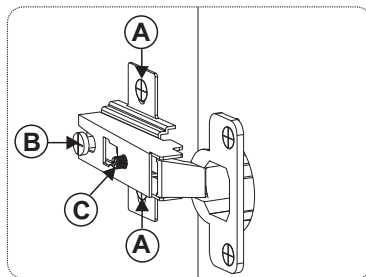
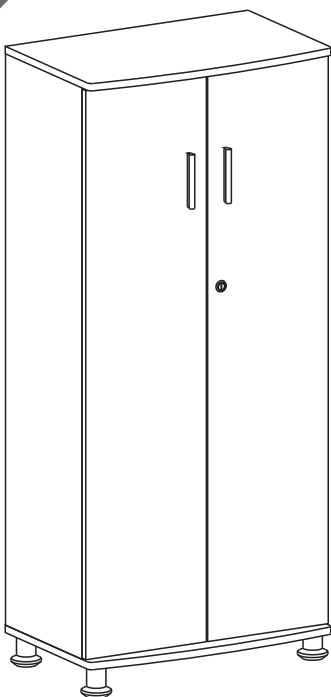
SCREWS

E 3X15 MM

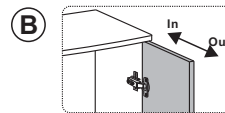
1PC



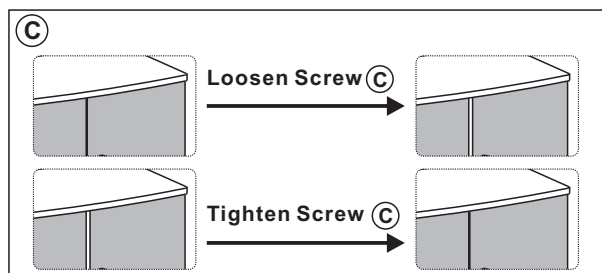
14



loosen screws A, adjust location of Screw A to move up and down of door



Tighten/loosen Screw B to adjust the gap between door and cabinet side panel

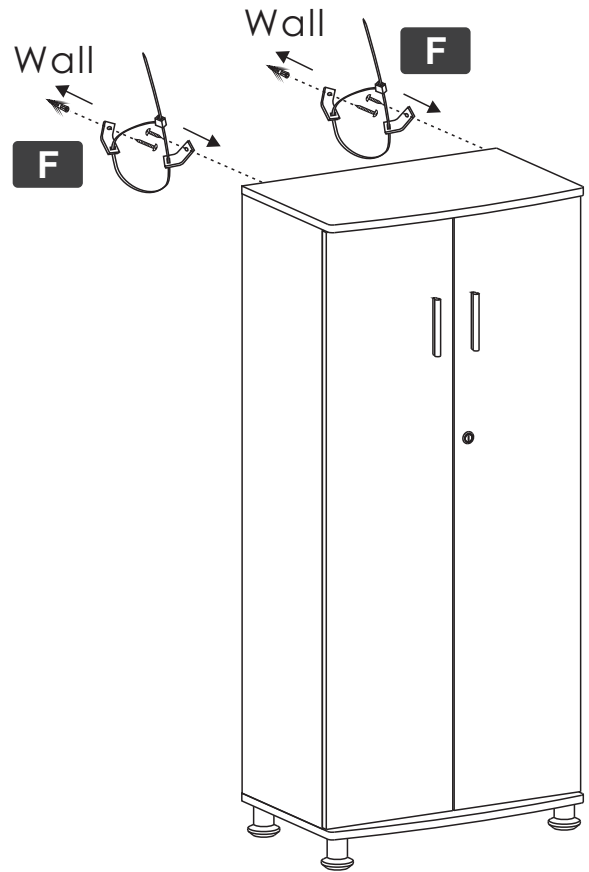
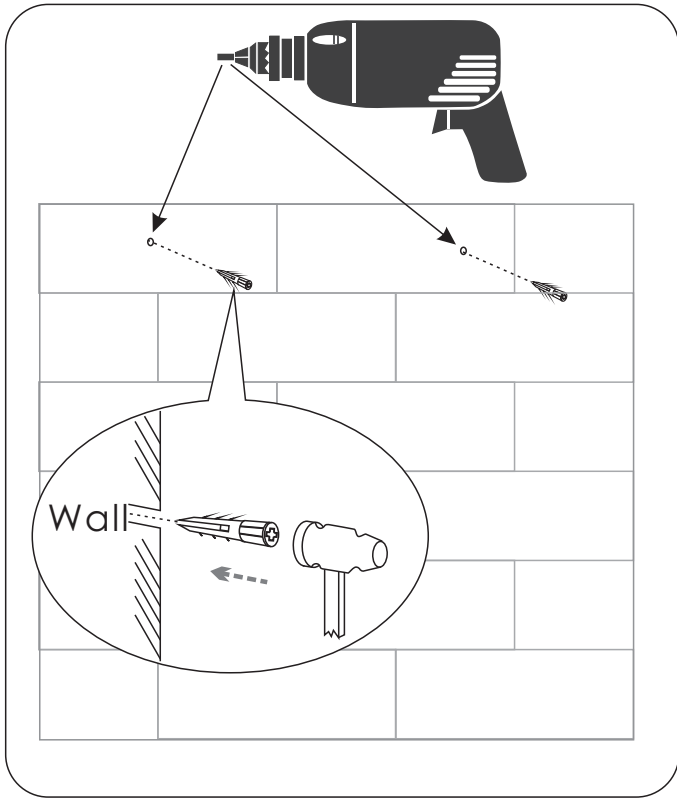


Tighten/loosen Screw C to adjust the gap between 2 doors



15

RECOMMENDED STEP TO SECURE POSITION OF FURNITURE



16

