

PORTABLE PA SYSTEMS

WITH USB, BLUETOOTH
Remote Control & VHF + wired mics

REF:

PORT8VHF-BT / PORT10VHF-BT
PORT12VHF-BT / PORT15VHF-BT



MANUAL

FR - Manuel d'Utilisation - p. 9

DE - Bedienungsanleitung - S. 14

NL - Handleiding - p. 19

ES - Manual de Uso - p. 24

PT - Manual de instruções - p. 29

SI - Navodila za uporabo - p. 34

IT - Manuale di istruzioni - p. 39

RO - Manual de Utilizare - p. 44

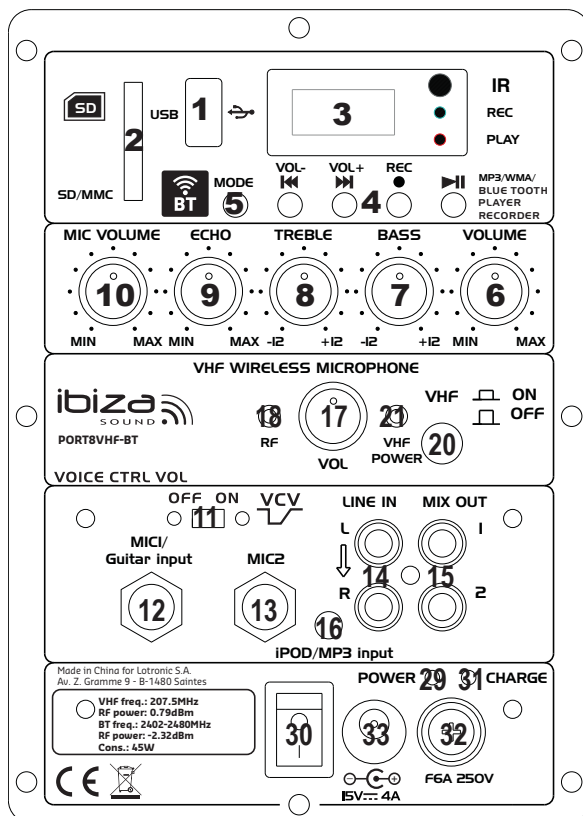
PORT8VHF-BT / PORT10VHF-BT:

ACCESSORIES: 1x handheld VHF mic + 1 wired mic + 1 remote control + 1 protection bag (only black version)

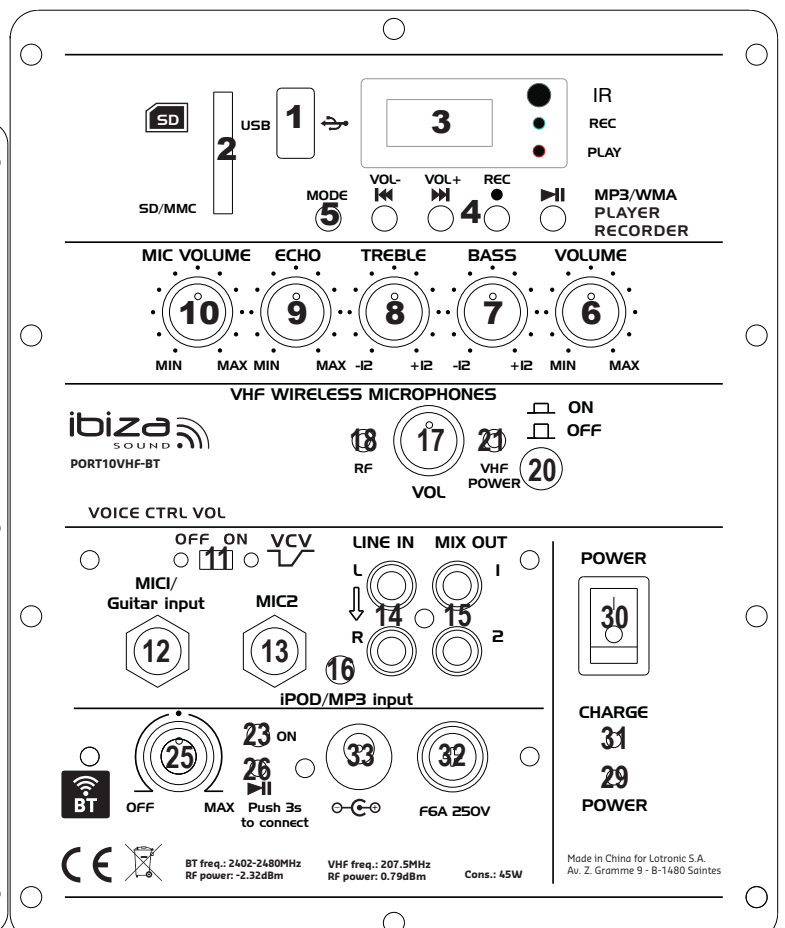
ACCESSOIRES: 1 micro à main VHF + 1 micro filaire + 1 télécommande + 1 housse de protection (uniquement version noire)

ZUBEHÖR: 1 VHF Handmikrofon + 1 Kabelmikrofon + 1 Fernbedienung + 1 Schutzhülle (nur schwarze Modelle)

TOEBEHOREN: 1 VHF handmicrofoon + 1 kabelmicrofoon + 1 afstandsbediening + 1 beschermhoes (alléén zwarte modellen)



PORT8VHF-BT



PORT10VHF-BT

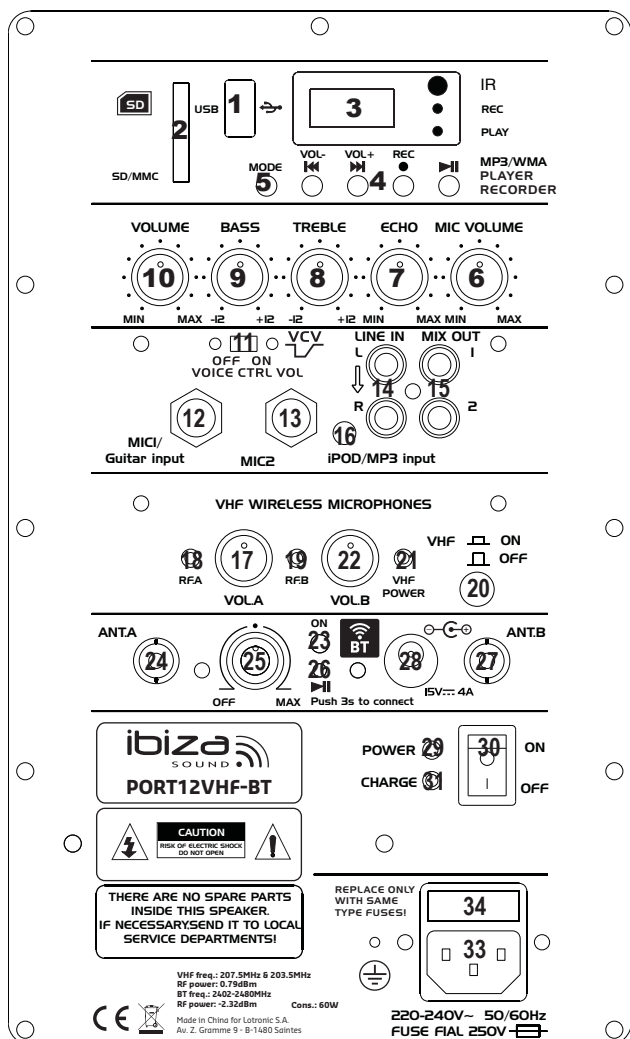
PORT12VHF-BT / PORT15VHF-BT:

ACCESSORIES: 1x handheld VHF mic + 1 headset mic + 1 remote control + 1 protection bag (only black version)

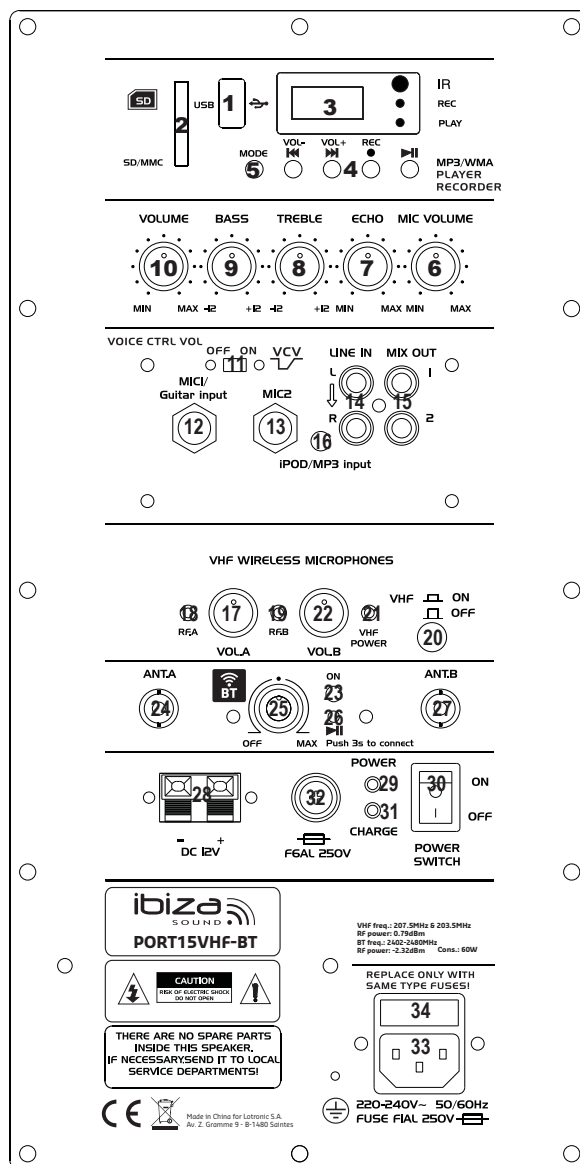
ACCESSOIRES: 1 micro à main VHF + 1 micro de tête + 1 télécommande + 1 housse de protection (unique version noire)

ZUBEHÖR: 1 VHF Handmikrofon + 1 Headset-Mikro + 1 Fernbedienung + 1 Schutzhülle (nur schwarze Modelle)

TOEBEHÖREN: 1 VHF handmicrofoon + 1 headset microfoon + 1 afstandsbediening + 1 beschermhoes (alléén zwarte modellen)



PORT12VHF-BT




PORT15VHF-BT

PORTABLE PA SYSTEMS

WITH USB, BLUETOOTH, REMOTE CONTROL & VHF + WIRED MICS

INSTRUCTION MANUAL

IMPORTANT SAFETY INSTRUCTIONS AND DANGER WARNINGS

- Please read the manual carefully and keep it for future reference.
- All safety instructions and warnings must be adhered to. They are part of the manual and must be kept with the manual.
- Any guarantee claims are rendered invalid if damage occurs due to non-observance of these operating instructions. We assume no liability for any consequent damage.
- We assume no liability for personal injury or damage to property caused by incorrect handling or non-observance of the safety instructions. Any guarantee claims expire in such cases.
- Unauthorized conversions and/or modifications of the appliance are not permitted for safety and licensing reasons (CE).
- The appliance is approved for operation in dry, closed rooms only . Do not operate the device nearby water, such as in bathrooms or nearby swimming pools.
- The appliance may not be exposed to extreme temperatures ($< +5^{\circ}\text{C}$ / $> +35^{\circ}\text{C}$) in operation.
- The appliance may not be subjected to strong vibrations or heavy mechanical strain.
- The appliance may not be exposed to excessive moisture (due to dripping or sprayed water, for example).
- Do not place any recipients filled with liquids, such as glasses or vases, on top of or directly next to the appliance. They could fall over, causing water to enter the appliance. Never pour out liquids above the appliance. Do not place any small objects, such as coins or paper clips, on the appliance since they could fall inside the appliance. You run a high risk of causing a fire or life-threatening electrocution! If any liquid or objects enter the appliance nevertheless, pull the mains plug out of the socket immediately and contact a specialist.
- Only pull the mains plug out of the socket by the intended gripping surface. Do not pull it by the cable.
- Never plug the mains plug in or out with damp or wet hands.
- Always pull the mains plug out of the mains socket:
 Before cleaning the appliance
 If there is a thunderstorm
 If you will not be using the appliance for a long period of time (>1 week)
- Electrical appliances must be kept out of the reach of children. Be particularly careful if children are present. Children are not aware of the hazards involved in handling electrical appliances improperly. Children could attempt to poke objects into the appliance. There is a life-threatening danger of electrocution.
- Do not leave the appliance unattended while operating it.
- Never place the appliance on an unstable or movable surface. Persons could be injured or the appliance damaged by it falling down.
- When using a rack, make sure it is in a stable position and is transported securely. Installation on uneven, slanted surfaces or stopping the rack abruptly during transport can result in the rack overturning or appliances falling from or out of the rack and injuring people.
- Live components can be exposed by opening covers or removing components (unless this can be done without tools). Contact points can also be live. If the appliance has to be opened in order to calibrate, service, repair or replace components or assemblies, all of its poles must be disconnected from all sources of voltage first. If the appliance has to be kept open and under voltage during maintenance or repairs, this work may only be carried out by a specialist who is familiar with the risks involved and the relevant regulations.
- Never connect the appliance directly after transferring it from a cold to a warm room. The condensation water that forms could destroy the appliance or result in an electric shock. Allow the device to reach room temperature before connecting it. Wait until the condensation water has evaporated. This can take some hours.
- Do not place any naked flames such as those of burning candles on or next to the appliance.
- Do not place the appliance on soft surfaces such as carpets or beds. Do not cover the air vents of the appliance. Do not obstruct the air circulation with objects such as magazines, table cloths or curtains. This prevents the dissipation of heat from the appliance and can result in overheating.
- Only use the appliance in a moderate climate, not in tropical environments.
- All persons involved in operating, installing and servicing the appliance and putting it into service must be

trained and qualified accordingly and observe these operating instructions.

- Defective mains cables may only be replaced by specialists. Danger of shock hazard!
- Do not leave the packaging material lying around carelessly since it can become a source of danger for children playing with it.
- The accident prevention regulations and the regulations of the employers' liability insurance association should be observed at commercial institutions.
- If you are not sure about the correct connection or if questions arise which are not answered by the operating instructions, please do not hesitate to contact support or a specialist of your choice. Consult a specialist if you are in doubt the operating principle or the safety of the product.

Restrictions of Use

This product uses a VHF transmission system that is meant for professional use only.

It may only be used in some countries of the European Union (F - B - P - D - NL - L - GR - E - RO).



POWER SUPPLY: BATTERY & AC OPERATION

Built-in rechargeable battery and AC power. Prior to using this system for the first time, please insert the AC lead into the AC socket of the player and plug the other end on a suitable wall outlet. Make sure that the "CHARGE INDICATOR" is ON 14 hours continuously.

PORT8VHF-BT & PORT10VHF-BT: Insert the supplied mains adaptor into the DC input socket (33) and the other end into a suitable wall outlet.

PORT12VHF-BT & PORT15VHF-BT: Insert the AC lead into the AC socket (33) on the rear panel and the other end into a suitable wall outlet.

Please charge the battery when the LED indicator (31) lights up in red. During the charging process, the LED indicator lights up in orange. It lights up in green when the battery is fully charged.

NOTE: Please shut down the power switch after you have finished using the system.

IMPORTANT NOTE ON BATTERIES

1. **PRIOR to using the unit for the first time, please charge fully the battery without any interruption.**
2. **Charge the battery regularly after each use. Don't wait until it is discharged!**
3. **DON'T allow the battery to discharge completely! Once the battery is fully discharged, the current drain for recharging will be so high that it will damage the charger and/or the power supply of the unit.**
4. **If you don't use the unit for a longer period of time, please CHARGE THE BATTERY COMPLETELY AT 100% and check/charge it once per month otherwise the battery will be out of use. The life time of the battery depends on the observance of these recommendations.**

**** BATTERIES ARE NOT COVERED BY THE WARRANTY ****

We cannot be held responsible for damaged batteries further to the non-observance of these basic rules.

PORT12VHF-BT & PORT15VHF-BT ONLY

These models have a DC input (28) on the rear panel which allows the user to power the unit via an external battery or car lighter socket in case that there is no mains power supply at hand and the built-in battery is exhausted or insufficiently charged. This input **does not allow to charge** the built-in battery.

NO	PORT8VHF-BT	PORT10VHF-BT	PORT12VHF-BT	PORT15VHF-BT
1			USB input	
2			SD card slot	
3			MP3 display	
4			MP3 controls	
5			Input selector switch	
6			Master volume control	
7			Bass control	
8			Treble control	
9			Echo control	
10			Volume control wired MIC inputs	
11			Voice control (VOX) on/off switch	
12			Input for wired mic 1 or guitar	
13			Input for wired mic 2	
14			Line level input	
15			Output to a mixer or amplifier	
16			iPod/MP3 input connector	
17			Volume control VHF mic A	
18			Signal indicator channel A	
19				Signal indicator channel B
20			VHF ON/OFF switch	
21			VHF Power LED	
22				Volume control VHF mic B
23			Bluetooth pairing LED red & blue	
24				Antenna A connector
25			Bluetooth On/Off/ volume control	
26			Pairing button	
27				Antenna B connector
28				DC power supply input
29			Power LED	
30			ON/OFF switch	
31			Charge indicator	
32	DC Fuse compartment	DC Fuse compartment		DC Fuse compartment
33			Mains input	
34			AC fuse compartment	

PLAY MP3/WMA MUSIC

1. Switch power source to ON. The LED indicator (29) lights up in green.
2. Insert a USB stick (1) or an SD card (2) into the relevant input
3. Select USB via the MODE button (5)
4. Select a title via the ◀ or ▶ buttons and press ▶ || (4)

PLAY LINE IN MUSIC

1. Insert an RCA plug into the LINE IN sockets (14)
2. If LINE is not displayed by default, press the MODE button (5) until LINE is displayed.
3. If you want to sing along to the music, insert a wired microphone into MIC INPUT (12 or 13) or switch on the wireless mic function (20) and the switch on the wireless microphone. Set the volume of the wired mic via the MIC VOL control (10). Set the volume of the wireless mic via the button (17 or 22 (only PORT10&12VHF-BT))
4. Adjust the volume control (6) of the line source.

USE OF THE VOX FUNCTION

When VOX function is enabled, the music level will decrease when somebody talks into one of the microphones. The music level becomes normal when the user stops talking into the microphone.

To activate this function, switch the VCV switch (11) to on. If you want to disable this function, set this switch to off position

RECORD FUNCTION (REC)

1. To start the recording function, press the RECORD button (4).
2. A file is created on your USB stick or SD card.
3. To stop recording, press the RECORD button again.
4. To listen to your record, select the track on the SD card or USB stick.

Note: Only the sound of the microphone (s) can be recorded, no other sound source.

BLUETOOTH PAIRING PROCEDURE FOR PORT8VHF-BT

1. Press the MODE button (5) until BLUETOOTH is displayed. The BLUETOOTH function is now activated.
2. Activate the Bluetooth function on your smartphone or another tablet PC.
3. The product appears under the name «IBIZA-PORT» and can be connected to your equipment.
4. Now play your music through the portable sound system. Adjust the volume using the Master volume button (6).
5. Do not set the volume of your smartphone or tablet PC too high. Do not exceed ¾ of the total volume to avoid distortion.

BLUETOOTH PAIRING PROCEDURE FOR PORT10/12/15VHF-BT

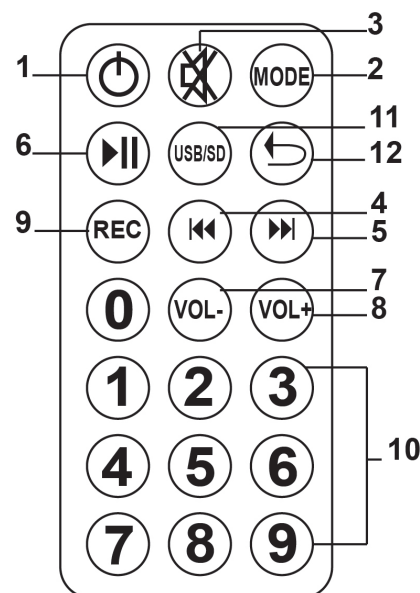
1. Switch on the Bluetooth function via the rotary knob (25). The Bluetooth LED (23) will light up
2. Activate the Bluetooth connect function of your device
3. Press button ► || (26) until the LED (23) is flashing
4. Select IBIZA-PORT in the list of found devices
5. You are ready to play your music

USE OF THE VHF MICS

Activate the VHF function by pressing the VHF switch (20) down to ON position. Switch on the VHF microphone via the switch on the mic body. The RF.A (18) or RF.B (19) signal indicator will light up when the box receives the VHF signal from the microphone. Adjust the volume via the VHF mic volume controls (17 and/or 22 (only PORT12 / 15VHF-BT)).

REMOTE CONTROL

1. **ON/OFF** button
2. **MODE**: Press until the desired operating mode is displayed
3. **MUTE**: Sound stop
4. **◀/CH-**: back to the previous track. In FM mode: back to the previous radio station
5. **▶/CH+**: Go to the next track. In FM mode: Go to the next radio station
6. **▶ || Play/pause**: Press to play a track, press to pause
7. **VOL-**: Reduce the volume
8. **Vol+**: Increase the volume
9. **REC**
10. **Number buttons**: Press the number of the desired track



RECOMMENDATIONS FOR BATTERIES



This symbol indicates that used batteries should not be disposed of with household waste but deposited in separate collection points for recycling.

ATTENTION

Danger of explosion if battery is incorrectly placed.

Only replace by the same or equivalent type.

WARNING

Do not swallow the battery. Danger of chemical burns.

(The supplied remote control of) This product contains a button cell. In case of ingestion, it might cause serious internal burns within only 2 hours that might lead to death.

Keep new and old batteries out of the reach of children.

If the battery compartment doesn't close properly, stop using the product and keep it out of the reach of children.

If you are in doubt whether the batteries have been swallowed or introduced into any other part of the body, contact immediately a doctor.

CARE

Before cleaning the unit, disconnect it from the mains. Do not use aggressive cleaning agents. Use a clean cloth to wipe any dust or dirt from the product. We are not liable for damage arising from incorrect handling, improper use or wear and tear. We reserve the right to make technical changes.

SPECIFICATIONS

	PORT8VHF-BT	PORT-10VHF-BT	PORT-12VHF-BT	PORT-15VHF-BT
Woofers	8"/20cm	10"/25cm	12"/30cm	15"/38cm
Tweeter	1"/25mm compression driver			
Sensitivity	96dB±2dB	98dB±2dB	99dB±2dB	101dB±2dB
Max. SPL	105dB	107dB	109dB	115dB
Impedance	4 Ohms			
Freq. range	60-20,000Hz	55-20,000Hz	45-20,000Hz	40-20,000Hz
Built-in battery	12V/2.3A	12V/4.5A	12V/4.5A	12V/7.2A
Bluetooth frequency	2402-2480MHz			
BT max. RF power	-2.32dBm			
VHF handheld mic freq.	207.5MHz	207.5MHz	207.5MHz	207.5MHz
VHF headset mic freq.			203.5MHz	203.5MHz
Max. RF power handheld mic	0.79dBm	0.79dBm	0.79dBm	0.79dBm
Max. RF power headset mic	2.66dBm			
Power supply	15V= 4A		220-240V~ / 50-60Hz	
Dimensions	330x310x490mm	370x360x525mm	400x375x620mm	485x445x728mm
Weight	9.2kg	10.5kg	15kg	19.8kg



This marking indicates that this product should not be disposed with other household wastes throughout the EU. To prevent possible harm to the environment or human health from uncontrolled waste disposal, recycle it responsibly to promote the sustainable reuse of material resources. To return your used device, please use the return and collection systems or contact the retailer where the product was purchased. They can take this product for environmental safe recycling.


SYSTEMES PORTABLES AUTONOMES

AVEC USB/VOX/BLUETOOTH ET MICROS VHF +FILAIRE

FR 

MANUEL D'UTILISATION

CONSIGNES DE SÉCURITÉ

- Lire attentivement le manuel avant la première mise en service et le conserver pour référence ultérieure.
- Tous les consignes de sécurité et avertissements doivent être respectés. Ils font partie intégrante du manuel et doivent être conservés avec le manuel. Nous déclinons toute responsabilité pour des dommages aux biens et aux personnes dus à une mauvaise manipulation ou le non-respect des consignes de sécurité. Le droit de garantie ne s'applique pas.
- Des modifications non-autorisées de l'appareil sont interdites pour des raisons de sécurité et de licence (CE).
- Utiliser uniquement à l'intérieur dans une pièce sèche et fermée . Ne pas utiliser à proximité d'eau tel que dans une salle de bains ou à proximité d'une piscine.
- Ne pas exposer l'appareil à des températures extrêmes (<5°C / >35°C) pendant le fonctionnement.
- Tenir à l'abri des vibrations fortes et des contraintes mécaniques.
- Tenir à l'abri de l'humidité extrême (due à de l'eau pulvérisée p.ex.)
- Ne pas poser de récipients remplis de liquides tels que des verres ou des vases, sur ou à proximité immédiate de l'appareil. Ils risquent de tomber et de déverser le liquide dans l'appareil. Ne jamais verser de liquides au-dessus de l'appareil.
- Ne pas placer de petits objets tels que des pièces ou des trombones sur l'appareil car ils risquent de tomber à l'intérieur de l'appareil. Vous risquez de provoquer un incendie ou une électrocution. Si un liquide ou un objet pénètre dans l'appareil, débranchez immédiatement la prise secteur et contactez votre revendeur.
- Pour débrancher la fiche secteur, tirez toujours sur la fiche, jamais sur le cordon.
- Ne jamais brancher ou débrancher la fiche secteur avec des mains mouillées.
- Débranchez toujours l'appareil du secteur:
 - avant de le nettoyer
 - pendant un orage
 - en cas de non-utilisation prolongée (>1 semaine)
- Tenir des appareils électriques hors de la portée des enfants. Soyez particulièrement vigilants en présence d'enfants. Les enfants ne sont pas conscients du danger d'un appareil électrique. Ils pourraient essayer d'insérer un objet à l'intérieur de l'appareil ce qui représente un grave danger d'électrocution.
- Ne pas laisser l'appareil sans surveillance pendant son fonctionnement
- Ne jamais placer l'appareil sur une surface instable ou mobile. L'appareil risque de blesser une personne ou de s'abîmer en tombant.
- En ouvrant le boîtier, vous accédez à des composants sous tension (sauf si vous pouvez y accéder sans outils). Des points de contacts peuvent également être sous tension. S'il faut ouvrir l'appareil pour le calibrer, l'entretenir, le réparer ou remplacer des composants, toutes les bornes doivent d'abord être débranchées des sources de tension. S'il faut garder l'appareil ouvert et sous tension pendant la maintenance ou la réparation, ce travail ne doit être effectué que par un spécialiste qui connaît les risques encourus et la réglementation en vigueur.
- Ne jamais brancher l'appareil immédiatement après un passage d'un endroit froid dans un endroit chaud. L'eau de condensation qui se forme, risqué d'endommager l'appareil ou provoquer un choc électrique. Attendez que l'appareil ait atteint la température ambiante avant de le brancher. Attendez que l'eau de condensation se soit évaporée ce qui peut prendre quelques heures.
- Ne pas placer de flamme ouverte telle qu'une bougie sur ou à côté de l'appareil.
- Ne pas placer l'appareil sur une surface molle telle qu'un tapis ou un lit. Ne pas obstruer les orifices de ventilation. Ne pas empêcher la circulation d'air par des objets tels que des magazines, nappes ou rideaux. Ceci empêche la dissipation de la chaleur et peut entraîner une surchauffe.
- Utiliser l'appareil uniquement à un environnement modéré. Ne pas utiliser dans un environnement tropical.
- Toutes les personnes impliquées dans l'utilisation, l'installation et la maintenance de cet appareil doivent être formées et qualifiées et respecter ces consignes.
- Remplacer les câbles secteur défectueux uniquement par un spécialiste. Risque d'électrocution!
- Ne pas laisser trainer le matériel d'emballage car il constitue un danger potentiel pour de jeunes enfants.
- Dans des lieux publics, il convient de respecter la réglementation concernant la prévention d'accidents et le code des assurances concernant de la responsabilité civile.
- Si vous n'êtes pas sûr de la bonne connexion ou si vous avez des questions auxquelles le mode d'emploi ne répond pas, n'hésitez pas à demander conseil à un spécialiste ou votre revendeur.

Restrictions d'usage

Ce produit utilise un système de transmission VHF qui est réservé exclusivement à un usage professionnel. Son utilisation n'est autorisée que dans certains pays de la Communauté Européenne (FR - BE - PT - D - NL - LU - GR - SP - RO).



ALIMENTATION PAR LA BATTERIE INCORPOREE OU PAR LE SECTEUR

Avant la première mise en service de l'appareil, branchez l'adaptateur AC sur une prise secteur et l'autre extrémité sur l'enceinte portable. **Assurez-vous que l'indicateur « CHARGE INDICATOR » est allumé pendant 14 heures en continu.**

PORT8VHF-BT & PORT10VHF-BT: Branchez l'adaptateur secteur fourni sur la fiche d'entrée DC (33) et l'autre extrémité sur une prise secteur appropriée.

PORT12VHF-BT & PORT15VHF-BT: Branchez le cordon secteur fourni sur la fiche d'entrée AC (33) et l'autre extrémité sur une prise secteur appropriée.

Charger la batterie lorsque le voyant (31) s'allume en rouge. Pendant le processus de charge, le voyant s'allume en orange. Lorsqu'il s'allume en vert, la batterie est complètement chargée.

NOTE : Eteignez le système après utilisation.

NOTE IMPORTANTE: PRODUITS AVEC DES BATTERIES AU PLOMB

1. **AVANT** la première utilisation, chargez complètement la batterie sans interruption.
2. Rechargez la batterie régulièrement après chaque utilisation sans attendre qu'elle soit déchargée.
3. **NE JAMAIS** laisser décharger complètement la batterie ! Elle ne supporte pas une décharge profonde car le courant demandé lors de la mise en charge sera tellement élevé qu'il risque d'endommager le chargeur et/ou l'alimentation de l'appareil.
4. Si vous n'utilisez pas le produit pendant une durée prolongée, il est obligatoire de charger la batterie à 100% et de la vérifier/charger une fois par mois sous peine d'endommager irréversiblement la batterie.

La durée de vie de la batterie dépend du bon suivi de ces conseils.

**** LES BATTERIES NE SONT PAS GARANTIES ****

Nous déclinons toute responsabilité pour des batteries endommagées prématurément suite au non-respect de ces règles de base.

UNIQUEMENT PORT12VHF-BT & PORT15VHF-BT

Ces modèles possèdent une entrée DC (28) à l'arrière qui permet à l'utilisateur d'alimenter l'enceinte par le biais d'une batterie externe ou la prise allume-cigare en l'absence d'une prise secteur à portée ou si la batterie interne est insuffisamment chargée. Cette entrée **ne permet pas de charger** la batterie interne.

DESCRIPTION DES CONTRÔLES

NO	PORT8VHF-BT	PORT10VHF-BT	PORT-12VHF-BT	PORT15VHF-BT
1	Entrée USB			
2	Entrée carte SD			
3	Afficheur MP3			
4	Commandes MP3			
5	Sélecteur d'entrée			
6	Contrôle de volume général			
7	Contrôle des graves			
8	Contrôle des aigus			
9	Contrôle Echo			
10	Contrôle de volume des micros filaires			
11	Interrupteur M/A du contrôle vocal (VOX)			
12	Entrée pour micro filaire 1 ou guitare			
13	Entrée pour micro filaire 2			
14	Entrée de niveau ligne			
15	Sortie vers une table de mixage ou un amplificateur			
16	Entrée pour iPod/lecteur MP3			
17	Contrôle de volume micro VHF A			
18	Indicateur de réception du signal du canal A			
19			Indicateur de réception du signal du canal B	
20	Interrupteur M/A de la fonction VHF			
21	Voyant d'activation VHF			
22			Contrôle de volume VHF micro B	
23	Voyant d'appairage Bluetooth			
24			Connecteur d'antenne A	
25	Bluetooth Marche/Arrêt/contrôle de volume			
26			Touche d'appairage	
27			Connecteur d'antenne B	
28			Entrée d'alimentation DC	
29	Voyant de tension			
30	Interrupteur Marche/Arrêt			
31	Indicateur de charge			
32	Compartiment du fusible DC			Compartiment Fusible DC
33			Entrée d'alimentation secteur	
34			Compartiment Fusible AC	

Lecture de fichiers MP3/WMA

1. Mettez l'appareil sous tension (30). Le voyant (29) s'allume.
2. Insérez une clé USB (1) ou une carte SD (2) dans l'entrée appropriée.
3. Sélectionnez USB au moyen de la touche MODE (5)
4. Sélectionnez un titre au moyen des touches «**◀**» or «**▶**» et appuyez sur «**▶ ||**» (4)

Lecture d'une source LIGNE

1. Branchez un cordon RCA sur les fiches LINE IN (14)
2. Si LINE n'est pas affiché par défaut, appuyez sur la touche MODE (5) jusqu'à ce que LINE s'affiche.
3. Si vous souhaitez chanter dans le micro sur la musique, branchez un micro filaire sur les entrées micro 12 ou 13 ou bien activez la fonction VHF (20) et mettez le micro sous tension.
4. Réglez le volume de la source de niveau ligne (6).

UTILISATION DE LA FONCTION VOX

La fonction VOX atténue automatiquement la musique lorsque vous parlez dans le micro. La musique revient à son niveau normal lorsque vous arrêtez de parler dans le micro.

Pour activer la fonction VOX, poussez le commutateur VCV (11) sur ON. Pour annuler cette fonction, positionnez le switch sur OFF.

ENREGISTREMENT (REC)

1. Pour commencer l'enregistrement, appuyez sur la touche REC (4).
2. Un fichier sera créé sur votre clé USB ou carte SD qui se placera à la suite des fichiers déjà présents.
3. Pour arrêter l'enregistrement, appuyez à nouveau sur la touche REC.
4. Pour écouter votre enregistrement, sélectionnez le fichier sur la carte SD ou la clé USB.
Note: Seul le son du/des micro(s) peut être enregistré, aucune autre source musicale.

UTILISATION DE LA FONCTION BLUETOOTH SUR LE PORT8VHF-BT

1. Appuyez sur la touche MODE (5) pour sélectionner le mode BT.
2. Activez la fonction Bluetooth sur votre Smartphone ou autre tablette.
3. Sélectionnez l'enceinte qui s'affiche sous le nom de "IBIZA-PORT" dans la liste des appareils trouvés.
4. Vous pouvez maintenant jouer votre musique sur la sono portable en réglant le volume à l'aide du bouton de volume général.
5. Ne pas monter excessivement le volume de votre smartphone ou tablette. Ne dépassez pas 75% du volume total afin d'éviter une distorsion du son.

UTILISATION DE LA FONCTION BLUETOOTH SUR LE PORT10/12/15VHF-BT

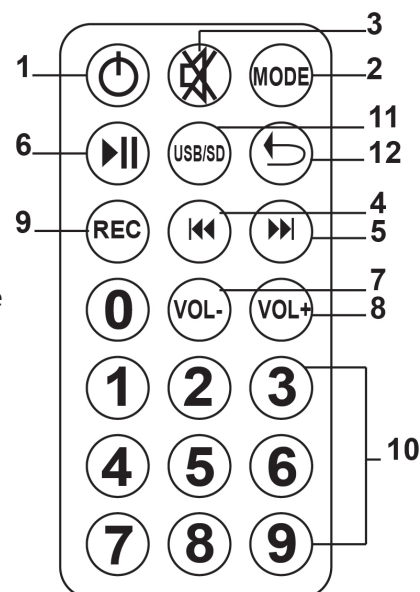
1. Activez la fonction Bluetooth en tournant le bouton (25). La LED Bluetooth (23) s'allume.
2. Activez la recherche Bluetooth sur votre smartphone ou tablette.
3. Appuyez sur la touche ► || (26) jusqu'à ce que la LED (23) clignote.
4. Sélectionnez IBIZA-PORT dans la liste des appareils trouvés.
5. Vous pouvez maintenant jouer votre musique sur la sono portable en réglant le volume à l'aide du bouton de volume général.
6. Ne pas monter excessivement le volume de votre smartphone ou tablette. Ne dépassez pas 75% du volume total afin d'éviter une distorsion du son.

UTILISATION DES MICROPHONES VHF


Activez la fonction VHF au dos de l'enceinte en mettant la touche (20) en position basse. Mettez le microphone VHF sous tension au moyen du commutateur sur le corps du microphone. L'indicateur de signal RFA (18) ou RFB (19) s'allume lorsque l'enceinte reçoit le signal VHF du microphone. Réglez le volume au moyen des contrôles 17 et/ou 22 (uniquement PORT12/15VHF-BT). L'enceinte sélectionnera automatiquement le microphone sans fil. Réglez le volume au moyen des contrôles de volume VHF (6).

TELECOMMANDE

1. **Touche M/A**
2. **MODE**: Appuyez jusqu'à ce que le mode de fonctionnement souhaité s'affiche
3. **MUTE**: Coupure du son
4. **◀ /CH-**: Retour au titre précédent. En mode FM: retour à la station radio précédente
5. **▶ /CH+**: Aller au titre suivant. En mode FM: aller à la station FM suivante
6. **Play/pause ▶ ||**: Appuyez pour lire un titre, appuyez à nouveau pour mettre la lecture en pause
7. **VOL-**: Réduire le volume
8. **Vol+**: Augmenter le volume
9. **REC**: Appuyez pour commencer et terminer un enregistrement vocal
10. **Touches numériques**: Entrez le numéro du titre désiré



RECOMMANDATIONS POUR LES PILES CONTENUES DANS LA TELECOMMANDE

 Ce pictogramme indique que les piles et batteries usagées ne doivent pas être jetées avec les ordures ménagères, mais déposées dans des points de collecte séparés pour être recyclées.

ATTENTION

Danger d'explosion si la pile n'est pas remplacée correctement.

Ne remplacer que par le même type ou un type équivalent.

AVERTISSEMENT

Ne pas ingérer la pile. Danger de brûlure chimique.

(La télécommande fournie avec) Ce produit contient une pile bouton. Si la pile bouton est avalée, elle peut provoquer de graves brûlures internes en 2 heures seulement et peut entraîner la mort.

Conserver les piles neuves et usées hors de portée des enfants.

Si le compartiment pile ne se ferme pas correctement, cesser d'utiliser le produit et tenir hors de portée des enfants.


En cas de doute concernant le fait que les piles pourraient avoir été avalées ou introduites dans une partie quelconque du corps, consulter immédiatement un médecin.

ENTRETIEN

Avant de nettoyer l'appareil, débranchez-le du secteur. Ne pas utiliser de produits de nettoyage agressifs. Utilisez un chiffon propre pour essuyer la poussière et les saletés du boîtier. Nous nous réservons le droit d'apporter des modifications techniques dans un souci d'amélioration du produit.

CARACTERISTIQUES TECHNIQUES

	PORT8VHF-BT	PORT10VHF-BT	PORT12VHF-BT	PORT15VHF-BT
Boomer	8"/20cm	10"/25cm	12"/30cm	15"/38cm
Tweeter	1"/25mm à compression			
Sensibilité	96dB±2dB	98dB±2dB	99dB±2dB	101dB±2dB
SPL max.	105dB	107dB	109dB	115dB
Impédance	4 Ohms			
Bande passante	60-20,000Hz	55-20,000Hz	45-20,000Hz	40-20,000Hz
Batterie interne	12V/2.3A	12V/4.5A	12V/4.5A	12V/7.2A
Fréquence Bluetooth	2402-2480MHz			
Puissance Bluetooth	-2.32dBm			
Fréq. VHF micro main	207.5MHz	207.5MHz	207.5MHz	207.5MHz
Fréq. VHF micro tête			203.5MHz	203.5MHz
Puissance HF max. micro main	0.79dBm	0.79dBm	0.79dBm	0.79dBm
Puissance HF max. micro tête			2.66dBm	
Alimentation	15V= 4A		220-240V~ / 50-60Hz	
Dimensions	330x310x490mm	370x360x525mm	400x375x620mm	485x445x728mm
Poids	9.2kg	10.5kg	15kg	19.8kg

 Ce symbole signifie que cet appareil ne doit être mis aux déchets ménagers dans aucun pays de la Communauté européenne afin d'éviter de nuire à l'environnement et à la santé humaine. Il convient d'en disposer d'une manière responsable afin de promouvoir la réutilisation des matériaux. Pour retourner votre appareil usagé, merci d'utiliser les systèmes de retours et de ramassage mis en place ou de contacter votre revendeur chez qui vous avez acheté l'appareil. Ils peuvent reprendre cet appareil pour un recyclage écologique.


MOBILE BESCHALLUNGSANLAGEN

MIT USB, BLUETOOTH, FERNBEDIENUNG

VHF FUNK- & KABELMIKROFONEN

BEDIENUNGSANLEITUNG

Sicherheitshinweise

- Die Garantie gilt nicht, wenn die Schäden durch Nichtbeachtung dieser Bedienungsanleitung entstanden sind. Wir übernehmen für den daraus entstandenen Schaden keine Haftung.
- Wir übernehmen für Personen- und Sachschäden keine Haftung, wenn diese durch unvorschriftsmäßige Handhabung oder Nichtbeachtung der Anleitung entstanden sind. Der Garantieanspruch verfällt in diesem Fall.
- Aus Sicherheitsgründen darf das Gerät nicht verändert oder umgebaut werden.
- Das Gerät darf nur in trockenen, geschlossenen Räumen benutzt werden . Nicht in Wassernähe wie Badezimmer oder am Swimmingpool benutzen.
- Das Gerät vor extremen Temperaturen schützen ($< +5^{\circ}\text{C}$ / $> +35^{\circ}\text{C}$)
- Das Gerät vor starken Erschütterungen und schwerer mechanischer Belastung schützen.
- Das Gerät vor starker Feuchtigkeit schützen (z.B. vor Tropf- bzw. Sprühwasser)
- Keine mit Flüssigkeit gefüllten Behälter wie Gläser oder Vasen auf oder direkt neben das Gerät stellen. Sie können umfallen und Wasser kann ins Gerät dringen. Niemals Flüssigkeiten über dem Gerät einschenken. Keine Kleinteile wie Münzen oder Briefklammern aufs Gerät legen. Sie können ins Gehäuse dringen. Es besteht Feuer- und Stromschlaggefahr! Falls doch einmal Flüssigkeiten oder Gegenstände ins Gerät dringen sollten, ziehen Sie sofort den Netzstecker ab und benachrichtigen Sie einen Fachmann
- Beim Abziehen des Netzsteckers immer an der dafür vorgesehenen Stelle anfassen. Niemals am Kabel ziehen.
- Niemals den Netzstecker mit nassen oder feuchten Händen anfassen.
- In folgenden Fällen immer sofort den Netzstecker abziehen:
 - Vor dem Reinigen des Geräts
 - Bei Gewitter
 - Bei längerem Nichtgebrauch (>1 Woche)
- Elektrogeräte außerhalb der Reichweite von Kindern aufbewahren. In Anwesenheit von Kindern besonders vorsichtig sein. Kinder sind sich der Gefahren bei falscher Handhabung von Elektrogeräten nicht bewusst. Sie könnten versuchen, Gegenstände ins Gerät zu stecken und einen Stromschlag erleiden.
- Das Gerät während des Betriebs nicht unbeaufsichtigt lassen.
- Niemals auf eine un stabile oder bewegliche Fläche stellen. Das Gerät kann beim Fallen Personen verletzen und schweren Schaden nehmen.
- Falls das Gerät in ein Rack eingebaut wird, muss es sich in einer stabilen Lage befinden und sicher transportiert werden. Das Aufstellen auf einer unebenen, geneigten Fläche, sowie plötzliches Stoppen während des Transports kann zum Umkippen führen und dabei Personen verletzen.
- Spannungsführende Teile können beim Öffnen des Gehäuses oder beim Herausnehmen von Teilen (außer Teilen, die ohne Werkzeug ausgewechselt werden können) freigelegt werden. Auch Kontaktpunkte können unter Spannung stehen. Wenn das Gehäuse zum Eichen, Reparieren oder Ersetzen von Teilen oder Modulen geöffnet werden muss, müssen zuerst alle Anschlussstellen von der Spannungsquelle getrennt werden. Wenn das Gerät während der Wartung oder Reparatur offen und unter Spannung stehen muss, darf dies nur von einem Fachmann vorgenommen werden, der die Gefahren und die entsprechenden Sicherheitsvorschriften kennt.
- Niemals das Gerät sofort einschalten, wenn es von einer kalten Umgebung in einen warmen Raum kommt. Das Kondenswasser, das sich bildet, kann das Gerät zerstören oder zu Stromschlag führen. Lassen Sie das Gerät erst auf Raumtemperatur kommen, bevor Sie es anschließen. Warten Sie, bis das Kondenswasser verdampft ist. Das kann einige Stunden dauern.
- Kein offenes Feuer wie brennende Kerzen auf oder neben das Gerät stellen.
- Das Gerät nicht auf eine weiche Fläche wie Teppiche oder Betten stellen. Nicht die Belüftungsschlitze verstopfen. Nicht die Luftzirkulation mit Gegenständen wie Zeitschriften, Tischtüchern oder Gardinen behindern. Dies verhindert die Wärmeabfuhr des Geräts und führt zu Überhitzung.
- Das Gerät nur in gemäßigten Klimazonen, nicht in tropischer Umgebung benutzen.
- Alle Personen, die mit der Bedienung, Installation und Wartung des Geräts zu tun haben, müssen ausgebildet und qualifiziert sein und diese Bedienungsanleitung beachten.
- Defekte Kabel nur von einem Fachmann ersetzen lassen. Stromschlaggefahr!

- Nicht das Verpackungsmaterial für jedermann zugänglich liegen lassen, da es für Kinder eine Gefahrenquelle darstellt.
- Wenn Sie sich über den richtigen Anschluss nicht im Klaren sind oder wenn Fragen auftreten, die nicht von der Anleitung beantwortet wurden, wenden Sie sich bitte an einen Fachmann

Einsatzbeschränkungen

- Dieses Produkt verwendet ein VHF Funkübertragungssystem, das nur für den professionellen Gebrauch bestimmt ist. Es darf nur in einigen Ländern der Europäischen Union verwendet werden (FR-BE-PT-D-NL-LU-GR-SP-RO).



NETZ - und AKKUVERSORGUNG

Vor der ersten Inbetriebnahme das Netzkabel in eine Netzsteckdose stecken und das andere Ende in die Box. **Der „CHARGE“ Anzeiger muss 14 Stunden lang ständig leuchten.**

PORT8VHF-BT & PORT10VHF-BT: Das mitgelieferte Netzteil in die DC Buchse (33) und das andere Ende in eine geeignete Netzsteckdose stecken.

PORT12VHF-BT & PORT15VHF-BT: Das mitgelieferte Netzkabel in die AC Buchse (33) und das andere Ende in eine geeignete Netzsteckdose stecken.

Wenn die Batterieladeanzeige (31) rot leuchtet, muss die Batterie aufgeladen werden. Während des Ladevorgangs leuchte die Anzeige orange. Wenn sie grün leuchtet, ist die Batterie voll aufgeladen.

HINWEIS: Die Anlage nach Benutzung ausschalten.

ACHTUNG! WICHTIGE HINWEISE FÜR GERÄTE MIT BLEI-BATTERIEN

1. **VOR** der ersten Inbetriebnahme bitte die Batterie vollständig und ohne Unterbrechung aufladen.
2. Nach jedem Gebrauch die Batterie aufladen. Warten Sie nicht, bis die Batterie entladen ist!
3. **NIEMALS** die Batterie vollständig entladen! Der zum Aufladen benötigte Strom ist in dem Fall so hoch, dass er den Ladekreis und/oder das Netzteil beschädigen kann.
4. Vor längerem Nichtgebrauch **MUSS** die Batterie vollständig aufgeladen und einmal im Monat geprüft bzw. nachgeladen werden. Wenn dies nicht geschieht, kann die Batterie unwiderruflichen Schaden nehmen.

Bitte befolgen Sie diese Hinweise, um die Batterie lange in gutem Zustand zu erhalten.

**** BATTERIEN SIND VOM GARANTIEANSPRUCH AUSGESCHLOSSEN ****

Wir übernehmen keine Haftung für Batterien, die durch die Nichtbeachtung dieser Grundregeln Schaden genommen haben.

Nur PORT12VHF-BT & PORT15VHF-BT

Diese Modelle besitzen einen DC Eingang (28) auf der Rückseite, über den das Gerät von einer Fremdbatterie oder einer Autobuchse gespeist werden kann, wenn kein Netzanschluss in der Nähe ist oder die interne Batterie unzureichend geladen ist. Über diese Buchse kann die interne Batterie **NICHT** aufgeladen werden.

BESCHREIBUNG DER BEDIENELEMENTE

NR	PORT8VHF-BT	PORT10VHF-BT	PORT12VHF-BT	PORT15VHF-BT
1			USB Eingang	
2			SD Kartenslot	
3			MP3 Display	
4			MP3 Regler	
5			Eingangswahlschalter	
6			Hauptlautstärkeregler	
7			Bass Regler	
8			Treble Regler	
9			Echo Regler	
10			Lautstärkeregler der Kabelmikrofone	
11			Voice Control (VOX) Ein/Aus Schalter	
12			Mikrofon- bzw. Gitarreneingang 1	
13			Mikrofoneingang 2	
14			Line Pegel Eingang	
15			Ausgang zu einem Mischpult oder Verstärker	
16			iPod/MP3 Eingangsverbinder	
17			Lautstärkeregler für VHF Funkmikrofon A	
18			Signalempfangsanzeiger für Kanal A	
19			Signalempfangsanzeiger für Kanal B	
20			VHF Ein/Aus Schalter	
21			VHF Betriebsleuchte	
22			Lautstärkeregler für VHF Funkmikrofon B	
23			Bluetooth Pairing LED	
24			Verbinder für Antenne A	
25			Bluetooth Ein/Aus/Lautstärkeregler	
26			Pairing Taste	
27			Verbinder für Antenne B	
28			DC Versorgungsverbinder	
29			Betriebsleuchte	
30			Ein/Aus Schalter	
31			Batterieladeanzeige	
32	DC Sicherungsfach	DC Sicherungsfach		DC Sicherungsfach
33				Netzanschluß
34				AC Sicherungsfach

ABSPIELEN EINER MP3/WMA MUSIKDATEI

1. Anlage einschalten. Die LED-Anzeige (29) leuchtet grün.
2. Das USB (1) oder SD Medium (2) in die entsprechende Buchse stecken.
3. Mit dem MODE Schalter (5) USB wählen.
4. Mit den ◀ bzw ▶ Tasten (4) einen Titel wählen und auf ▶ || (4) drücken.

BENUTZUNG DES LINE EINGANGS

1. Cinch Stecker an die LINE Buchsen (14) anschließen.
2. Wenn nicht bereits LINE auf dem Display steht, die MODE Taste (5) drücken, bis LINE erscheint.
3. Wenn Sie zur Musik mitsingen möchte, schließen Sie den 6,35mm Klinkenstecker eines Mikrofons an die MIC INPUT Buchsen (12 oder 13) an oder aktivieren Sie die VHF Funktion mit dem Schalter (20) und schalten Sie das Funkmikrofon ein. Die Lautstärke des Kabelmikrofons mit dem Regler MIC VOL (10) einstellen.
4. Die Lautstärke des an die LINE Verbinder angeschlossenen Geräts mit dem Regler (6) einstellen.

VOX FUNKTION

Wenn die VOX Funktion aktiviert ist, sinkt der Musikpegel sobald jemand ins Mikrofon spricht. Der Musikpegel geht wieder auf die normale Lautstärke zurück, wenn nicht mehr ins Mikrofon gesprochen wird.

Zum Aktivieren dieser Funktion den VCV Schalter (11) auf ON stellen. Zum Ausschalten der Funktion, den VCV Schalter auf OFF stellen.

AUFNAHME

1. Schließen Sie ein Kabelmikrofon an einen der Mikrofoneingänge (12 oder 13) an oder aktivieren Sie die VHF Funktion (20). Zum Starten der Aufnahme die REC Taste (4) drücken.
2. Eine Datei wird auf dem angeschlossenen USB Stick oder der SD Karte eingerichtet.
3. Zum Stoppen der Aufnahme erneut die REC Taste drücken.
4. Zum Abspielen der Aufnahme die Datei auf der SD Karte oder dem SD Stick wählen.

Hinweis: Nur der Ton der Mikrofone kann aufgenommen werden, keine andere Audioquelle.

BLUETOOTH VERBINDUNG HERSTELLEN MIT DEM PORT8VHF-BT

1. Mit dem MODE Schalter (5) die BT Funktion wählen. Die Bluetooth Funktion ist nun aktiviert.
2. Schalten Sie Ihr Smartphone ein und aktivieren Sie die Bluetooth Suchfunktion
3. Wählen sie IBIZA-PORT in der Liste der gefundenen Geräte und synchronisieren Sie beide Geräte.
4. Sie können nun Ihre Musik über Bluetooth abspielen. Die Lautstärke mit dem Hauptlautstärkereglern (6) einstellen.
5. Fahren Sie die Lautstärke Ihres Smartphones oder Tablet PCs nicht zu hoch. Überschreiten Sie nie 75% der Gesamtlautstärke um Klangverzerrung zu vermeiden.

BLUETOOTH VERBINDUNG HERSTELLEN MIT DEN PORT10/12/15VHF-BT

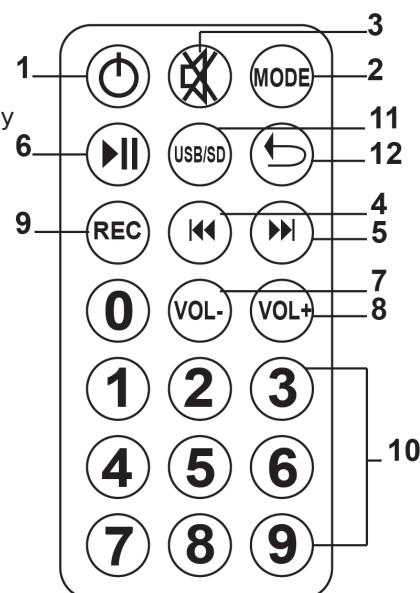
1. Die Bluetooth Funktion mit dem Drehregler (25) aktivieren. Die Bluetooth LED (23) leuchtet auf.
2. Schalten Sie Ihr Smartphone ein und aktivieren Sie die Bluetooth Suchfunktion
3. Drücken Sie die ► || Taste (26) bis die LED (23) blinkt.
4. Wählen sie IBIZA-PORT in der Liste der gefundenen Geräte und synchronisieren Sie beide Geräte.
5. Sie können nun Ihre Musik über Bluetooth abspielen. Die Lautstärke mit dem Hauptlautstärkereglern (6) einstellen.
6. Fahren Sie die Lautstärke Ihres Smartphones oder Tablet PCs nicht zu hoch. Überschreiten Sie nie 75% der Gesamtlautstärke um Klangverzerrung zu vermeiden.

BEDIENUNG DER VHF MIKROFONE

Aktivieren Sie die VHF Funktion, indem Sie den Schalter (20) eindrücken. Schalten Sie das/die VHF Mikrofon(e) mit dem Schalter auf dem Mikrofon ein. Der/die Signalanzeiger RF.A (18) und/oder RF.B (19) leuchten auf, wenn die Box ein VHF Signal vom Mikrofon empfängt. Stellen Sie die Lautstärke mit dem VHF Funkmikrofonregler (17 bzw. 22 (nur PORT12/15VHF-BT) ein.

FERNBEDIENUNG

1. **EIN/AUS** Taste
2. **MODE**: Mehrmals drücken, bis die gewünschte Betriebsart auf dem Display erscheint.
3. **MUTE**: Tonstopp
4. **Play/pause ► ||**: Schaltet um zwischen Abspielen und Pause
5. **◀◀/CH-**: Zurück zum vorigen Titel Im FM Betrieb: zurück zum vorigen Sender
6. **▶▶/CH+**: Weiter zum nächsten Titel. Im FM Betrieb: Weiter zum nächsten Sender
7. **VOL-**: Lautstärke mindern
8. **Vol+**: Lautstärke erhöhen
9. **REC**: Starten und Stoppen der Aufnahme
10. **Nummerntasten**: Mit den Nummerntasten gewünschte Titelnummer eingeben



HINWEISE FÜR BATTERIEN IN DER FERNBEDIENUNG

Dieses Symbol weist darauf hin, dass verbrauchte Batterien und Akkus nicht mit dem Hausmüll entsorgt werden dürfen, sondern zu separaten Sammelstellen für das Recycling gebracht werden müssen.

ACHTUNG

Bei falsch eingesetzter Batterie besteht Explosionsgefahr.
Batterie nur durch eine gleichwertige ersetzen

WARNUNG

Nicht die Batterie verschlucken. Es besteht die Gefahr von chemischen Verbrennungen.

Dieses Produkt (bzw. die mitgelieferte Fernbedienung) enthält eine Knopfzelle, die, wenn sie verschluckt wird, innerhalb von nur 2 Stunden schwere innere Verbrennungen mit Todesfolge verursachen kann.

Alte und neue Batterie von Kindern fernhalten.

Wenn das Batteriefach nicht richtig schließt, darf das Gerät nicht mehr benutzt und muss außerhalb der Reichweite von Kindern aufbewahrt werden.

Wenn Sie Zweifel haben, ob die Batterie verschluckt oder in irgendein anderes Körperteil eingeführt wurde, rufen Sie sofort ärztliche Hilfe

PFLEGE

Vor dem Reinigen das Gerät vom Netz trennen. Keine scharfen Reinigungsmittel verwenden. Staub und Schmutz mit einem sauberen Tuch abwischen. Technische Änderungen vorbehalten.

TECHNISCHE DATEN

	PORT8VHF-BT	PORT10VHF-BT	PORT12VHF-BT	PORT15VHF-BT
Woofer	8"/20cm	10"/25cm	12"/30cm	15"/38cm
Tweeter	1"/25mm Druckkammertreiber			
Empfindlichkeit	96dB±2dB	98dB±2dB	99dB±2dB	101dB±2dB
Max. SPL	105dB	107dB	109dB	115dB
Impedanz	4 Ohm			
Freq. bereich	60-20,000Hz	55-20,000Hz	45-20,000Hz	40-20,000Hz
Interne Batterie	12V/2,3A	12V/4.5A	12V/4.5A	12V/7.2A
Bluetooth Frequenz	2402-2480MHz			
BT max. HF Leistung	-2.32dBm			
VHF Handmikrofonfrequenz	207.5MHz	207.5MHz	207.5MHz	207.5MHz
VHF Headset Mikrofonfrequenz			203.5MHz	203.5MHz
Max. HF Leistung	0.79dBm	0.79dBm	0.79dBm	0.79dBm
Versorgung	15V= 4A		220-240V~ / 50-60Hz	
Abmessungen	330x310x490mm	370x360x525mm	400x375x620mm	485x445x728mm
Gewicht	9.2kg	10.5kg	15kg	19.8kg

Ordnungsgemäße Entsorgung des Geräts

Dieses Zeichen bedeutet, dass das Gerät innerhalb der europäischen Gemeinschaft nicht in den normalen Hausmüll geworfen werden darf. Um Umwelt- und Gesundheitsschäden durch unkontrollierte Müllabfuhr zu vermeiden, muss das Gerät verantwortungsbewusst entsorgt und für dauerhafte Wiederverwertung der Rohstoffe recycelt werden. Bitte bringen Sie das alte Gerät zu einer Sammelstelle für elektrische und elektronische Geräte bzw. zu Ihrem Fachhändler, wo Sie das Gerät gekauft haben, damit eine umweltfreundliche Entsorgung gewährleistet ist.


DRAAGBARE STAND-ALONE PA SYSTEMEN



MET USB, BLUETOOTH, AFSTANDBEDIENING DRAADLOZE VHF & BEDRADE MICROFOONS

HANDLEIDING

BELANGRIJKE VEILIGHEIDS- EN RISICOWAARSCHUWINGEN

- Aandachtig de handleiding lezen en bewaren.
- Alle veiligheidsinstructies en waarschuwingen moeten worden nageleefd. Ze maken deel uit van de handleiding en moet worden bewaard met de handleiding.
- Aanspraak op garantie vervalt als er schade optreedt als gevolg van niet-naleving van deze gebruiksaanwijzing. Wij zijn niet aansprakelijk voor eventuele daaruit voortvloeiende schade.
- Wij zijn niet aansprakelijk voor persoonlijk letsel of schade aan eigendommen veroorzaakt door ondeskundig gebruik of niet naleving van de veiligheidsinstructies. Elke aanspraak op garantie vervalt in dergelijke gevallen.
- Onbevoegde conversies en / of wijzigingen van het apparaat zijn niet toegestaan voor reden van veiligheid en vergunningen (CE).
- Het apparaat is goedgekeurd voor gebruik in droge, gesloten ruimtes alleen . Niet het apparaat in de buurt van water, zoals in de badkamer of zwembaden gebruiken.
- Het toestel tijdens de werking niet aan extreme temperaturen blootstellen ($< +5^{\circ}\text{C}$ / $> +35^{\circ}\text{C}$).
- Het apparaat mag niet worden blootgesteld aan sterke trillingen of zware mechanische belasting.
- Het apparaat mag niet worden blootgesteld aan overmatig vocht (als gevolg van druppels of spatwater, bijv.)
- Plaats geen ontvangers gevuld met vloeistoffen, zoals glazen of vazen, op of direct naast het apparaat. Ze kunnen omvallen, waardoor water in het apparaat binnendringt. Giet nooit vloeistoffen uit boven het toestel. Plaats geen kleine voorwerpen, zoals munten of paperclips, op het toestel, aangezien zij zou kunnen vallen in het apparaat. Zij kunnen brand of stroomslag veroorzaken! Als er vloeistof of voorwerpen in het apparaat dringen, trek dan onmiddellijk de stekker uit het stopcontact en raadpleeg een deskundige.
- Trek de stekker alleen uit het stopcontact via de ervoor bepaalde oppervlak. Niet aan het kabel trekken.
- Nooit de stekker met vochtige of natte handen aanraken.
- Altijd de stekker uit het stopcontact trekken:
 - Alvorens u het toestel schoonmaakt
 - in geval van onweer
 - Indien u het toestel over een langere tijd niet gebruikt (>1 week)
- Elektrische apparaten buiten het bereik van kinderen houden. Wees vooral voorzichtig wanneer er kinderen aanwezig zijn. Kinderen zijn zich niet bewust van de gevaren die betrokken zijn bij elektrische apparaten. Kinderen kunnen proberen voorwerpen in het apparaat te stekken. Er is een levensbedreigend gevaar van stroomslag.
- Laat het apparaat niet onbeheerd tijdens het gebruik.
- Plaats het apparaat nooit op een instabiele of beweegbare ondergrond. Mensen kunnen gewond raken of het apparaat wordt beschadigd door het vallen.
- Bij gebruik van een rek, zorg voor een stabiele positie en veilig vervoeren. Installatie op oneffen, schuine vlakken of abrupt stoppen van het rack tijdens het transport kan resulteren in het kantelen of vallen van het toestel uit het rek en mensen verwonden.
- Onder spanning staande delen kunnen worden blootgesteld door het openen van deksels of het verwijderen van onderdelen (tenzij dit kan worden gedaan zonder gereedschap). Contactpunten kunnen ook onder spanning staan. Als het apparaat moet worden geopend om te kalibreren, repareren of vervangen van onderdelen of componenten, moet eerst al haar polen worden losgekoppeld van alle spanningsbronnen. Als het apparaat moet worden gehouden open en onder spanning tijdens onderhoud of reparaties, kan dit werk alleen worden uitgevoerd door een vakman die vertrouwd is met de risico's en de relevante regelgeving.
- Sluit nooit het apparaat direct na de overdracht van een koude naar een warme kamer. Het condenswater dat hierbij gevormd wordt kan een elektrische schok veroorzaken. Laat het apparaat eerst op kamertemperatuur komen voordat u het aansluit. Wacht tot het condenswater verdampt is. Dit kan enkele uren duren.
- Plaats geen open vlammen, zoals brandende kaarsen op of naast het apparaat.
- Plaats het apparaat nooit op zachte oppervlakken zoals tapijten of bedden. Niet de ventilatieopeningen van het apparaat afdekken. Niet de luchtcirculatie met voorwerpen zoals tijdschriften, tafellaken en gordijnen verstoppen. Dit voorkomt de afvoer van warmte uit het apparaat en kan leiden tot oververhitting.
- Gebruik het apparaat alleen in een gematigd klimaat, niet in een tropische omgeving.

- Alle personen die dit apparaat gebruiken, installeren of onderhouden moeten gekwalificeerd zijn en deze gebruiksaanwijzing naleven.
- Defecte stroomkabels mogen enkel vervangen worden door specialisten. Gevaar van elektrische schok!
- Als u niet zeker bent over de correcte aansluiting of als er vragen zijn die niet worden beantwoord door de gebruiksaanwijzing, contacteer een specialist. Raadpleeg een specialist indien u twijfel heeft aan het werkingsprincipe of de veiligheid van het product



Gebruiksbeperkingen

- Dit product maakt gebruik van een VHF-transmissiesysteem dat alleen bedoeld is voor professioneel gebruik. Het mag alleen worden gebruikt in sommige landen van de Europese Unie (FR - BE - PT - D - NL - LU - GR - SP - RO).

VOEDING: BATTERIJ & NET VOEDING

Ingebouwde oplaadbare batterij en AC aansluitspanning: Alvorens u dit systeem voor de eerste keer gebruikt, steek de AC kabel in de AC contra op de achterkant van de unit en het ander eind in een stopcontact. De "CHARGE" indicatie moet continu tijdens 14 uren oplichten

PORT8VHF-BT & PORT10VHF-BT: Steek de meegeleverde netadapter in de DC-ingang (33) en het andere uiteinde in een geschikt stopcontact.

PORT12VHF-BT & PORT15VHF-BT: Steek de AC-kabel in de AC-aansluiting (33) op het achterpaneel en het andere uiteinde in een geschikt stopcontact.

Laad de batterij op als de LED-indicator (31) rood oplicht. Tijdens het opladen licht de LED-indicator oranje op. Hij brandt groen als de batterij volledig is opgeladen.

OPMERKING: Na gebruik het system uitschakelen.

BELANGRIJKE OPMERKING OVER BATTERIJEN

1. **ALVORENS** u het apparaat voor de eerste keer gebruikt, laad de batterij geheel op zonder enige onderbreking.
2. Laad de batterij na elk gebruik regelmatig op. Wacht niet tot het is ontladen!
3. **NOOIT** de batterij volledig ontladen! Zodra de batterij volledig is ontladen, zal de stroom voor het opladen zo hoog zijn dat deze de lader en / of de voeding van het apparaat zal beschadigen.
4. Als u het apparaat voor een langere periode niet gebruikt, alstublieft **LAAD DE BATTERIJ VOLLEDIG OP** en controleer / laad het eenmaal per maand, anders is de batterij buiten gebruik.

De levensduur van de batterij is afhankelijk van het naleven van deze aanbevelingen.

**** BATTERIJEN ZIJN NIET GEDEKT DOOR DE GARANTIE ****

Wij zijn niet aansprakelijk voor beschadigde batterijen als gevolg van het niet naleven van deze basisregels.

ALLEEN VOOR PORT12VHF-BT & PORT15VHF-BT

Deze modellen hebben een DC-ingang (28) op het achterpaneel waarmee de gebruiker het apparaat kan voeden via een externe batterij of een auto-aansteker wanneer er geen stroomvoorziening voorhanden is of de ingebouwde batterij leeg is of onvoldoend opgeladen. Met deze ingang kan de ingebouwde batterij **niet worden opgeladen**.

OMSCHRIJVING VAN DE CONTROLES

NR	PORT8VHF-BT	PORT10VHF-BT	PORT12VHF-BT	PORT15VHF-BT
1				USB ingang
2				SD kaartje slot
3				MP3 display
4				MP3 controles
5				Ingangskeuzeschakelaar
6				Master volume controle
7				Bas controle
8				Treble controle
9				Echo controle
10				Volume controle van de kabelmicrofooningangen
11				Aan/uit schakelaar van de stemactiveringsfunctie (VOX)
12				Ingang 1 voor een kabelmicrofoon of een gitaar
13				Ingang 2 voor een kabelmicrofoon
14				Lijn ingang
15				Uitgang naar een mengpaneel of versterker
16				iPod/MP3 ingangsconnector
17				Volume controle VHF microfoon A
18				Signaal indicator kanaal A
19				Signaal indicator kanaal B
20				VHF aan/uit schakelaar
21				VHF voedings LED
22				Volume controle VHF microfoon B
23				Bluetooth pairing LED
24				Antenne A connector
25				Bluetooth aan/uit/ volume controle
26				Pairing toets
27				Antenne B connector
28				DC voedingsingang
29				Werkings LED
30				Aan/uit schakelaar
31				Oplaad indicator
32	DC zekeringsvak	DC zekeringsvak		DC zekeringsvak
33				AC ingang
34				AC zekeringsvak

AFSPELEN VAN MP3/WMA MUZIEK

1. Zet de aan/uit schakelaar op ON. De led indicator (29) licht op in groen.
2. Sluit een USB (1) of SD medium (2) op de geschikte ingang aan
3. Kies USB via de MODE toets (5)
4. Kies een titel via de ►► of ◀◀ toetsen (4) en druk op ►|| (4)

AFSPELEN VAN MUZIEK VIA DE LINE INGANG

1. Plug tulp stekkers in de LINE IN contra's (10).
2. Als LINE niet getoont is, druk de mODE toets (5) totdat LINE verschijnt.
3. Indien U met de muziek wilt meezingen, plug de kabelmicrofoon in de MIC ingang (12 of 13) of activeer de draadloze VHF functie (20) en schakel de draadloze microfoon aan.

4. Stel het microfoon volume d.m.v. de MIC VOL controle (10) in en het volume van de lijn bron d.m.v. de hoofdvolume regelaar (6).

VOX FUNCTIE

Indien de VOX functie geactiveerd is wordt het volume van de muziek verminderd wanneer iemand in de microfoon spreekt. De muziek gaat naar het normale volume terug wanneer de microfoon niet meer wordt gebruikt. Zet de VCV schakelaar (11) op ON om deze functie te activeren en op OFF om ze te deactiveren.

OPNAME FUNCTIE (REC)

1. Om de opnamefunctie te starten, drukt u op de knop RECORD (4).
2. Er wordt een bestand gemaakt op uw USB-stick of SD-kaart.
3. Om de opname te stoppen, drukt u nogmaals op de knop RECORD.
4. Om naar uw record te luisteren, selecteert u de track op de SD-kaart of de USB-stick.

Let op: Alléén het geluid van de microfoon(s) kan worden opgenomen, geen andere geluidsbron.

BLUETOOTH PAIRING PROCEDURE VOOR PORT8VHF-BT

1. Druk op de knop MODE (5) totdat BLUETOOTH wordt weergegeven. De BLUETOOTH-functie is nu geactiveerd.
2. Activeer de Bluetooth-functie op uw smartphone of een andere tablet-pc.
3. Het product verschijnt onder de naam «IBIZA-PORT» en kan worden aangesloten op uw apparatuur.
4. Speel nu je muziek af via het draagbare geluidssysteem. Stel het volume in via de knop Master volume (6).
5. Stel het volume van de uw smartphone of tablet-pc niet te hoog in. Overschrijd $\frac{3}{4}$ van het totale volume niet om vervorming te voorkomen.

BLUETOOTH PAIRING PROCEDURE VOOR PORT10/12/15VHF-BT

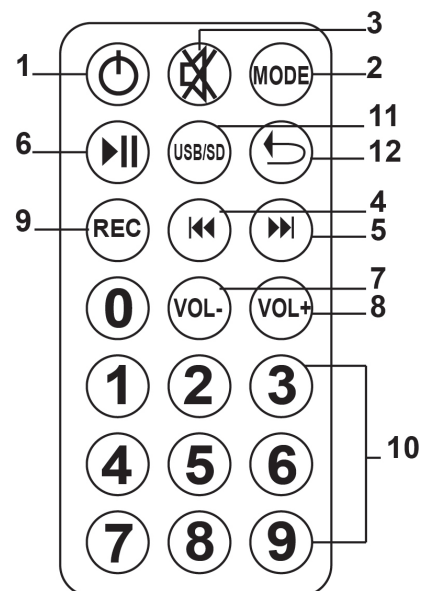
1. Schakel de Bluetooth-functie in met de draaiknop (25). De Bluetooth-LED (23) gaat branden
2. Activeer de Bluetooth-connectiefunctie van uw apparaat
3. Druk op knop ▶ || (26) totdat de LED (23) knippert
4. Selecteer IBIZA-PORT in de lijst met gevonden apparaten
5. U bent klaar om uw muziek te spelen

GEbruik VAN DE VHF MICROFOONS

Activeer de VHF-functie door de VHF-schakelaar (20) omlaag te drukken naar de ON-positie. Schakel de VHF-microfoon in via de schakelaar op de microfoonbody. De R.F.A (18) of R.F.B (19) signaalindicator gaat branden wanneer de box het VHF-signaal van de microfoon ontvangt. Pas het volume aan met de VHF-microfoonvolume-regelaars (17 en / of 22 (alleen PORT12 / 15VHF-BT)).

AFSTANDBEDIENING

1. **Aan/uit** toets
2. **MODE**: Druk op totdat de gewenste bedieningsmodus wordt weergegeven
3. **MUTE**: Geluid stop
4. **Play/pause** ▶ || : Druk om een nummer af te spelen, druk om te pauzeren
5. ◀/CH-: Terug naar het vorige nummer. In FM-modus: terug naar het vorige radiostation
6. ▶/CH+ : Ga naar het volgende nummer. In FM-modus: ga naar het volgende radiostation
7. **VOL-**: Verlaag het volume
8. **Vol+**: Verhoog het volume
9. **REC**: Start en stopt de opname van het microfoongeluid
10. **Cijfer toetsen**: Toets het gewenste nummer in



ADVIES VOOR BATTERIJEN

Dit symbool geeft aan dat gebruikte batterijen en accu's niet bij het huisvuil mogen worden weggegooid, maar moeten worden gedeponneerd in gescheiden inzamelpunten voor recycling.

LET OP

Er is explosiegevaar als de batterij verkeerd is geplaatst.

Alleen vervangen door hetzelfde of een vergelijkbaar type.

WAARSCHUWING

Slik de batterij niet in. Gevaar voor chemische brandwonden.

(De meegeleverde afstandsbediening van) Dit product bevat een knopcel. In geval van inslikken kan het binnen slechts 2 uren ernstige interne brandwonden veroorzaken die tot de dood kunnen leiden.

Houd nieuwe en oude batterijen buiten het bereik van kinderen.

Als het batterijcompartiment niet goed sluit, stop dan met het gebruik van het product en houd het buiten het bereik van kinderen.

Als u twijfelt of de batterijen zijn ingeslikt of in een ander deel van het lichaam zijn ingebracht, neem dan onmiddellijk contact op met een arts.

ONDERHOUD

Koppel het apparaat los van het elektriciteitsnet voordat u het schoonmaakt. Gebruik geen agressieve schoonmaakmiddelen. Gebruik een schone doek om stof en vuil van het product te verwijderen. Wij zijn niet aansprakelijk voor schade als gevolg van onjuist gebruik of slijtage. We behouden ons het recht voor technische wijzigingen aan te brengen.

SPECIFICATIES

	PORT8VHF-BT	PORT10VHF-BT	PORT12VHF-BT	PORT15VHF-BT
Woofers	8"/20cm	10"/25cm	12"/30cm	15"/38cm
Tweeter	1"/25mm compressie driver			
Gevoeligheid	96dB±2dB	98dB±2dB	99dB±2dB	101dB±2dB
Max. SPL	105dB	107dB	109dB	115dB
Impedantie	4 Ohms			
Freq. bereik	60-20,000Hz	55-20,000Hz	45-20,000Hz	40-20,000Hz
Ingebouwde batterij	12V/2.3A	12V/4.5A	12V/4.5A	12V/7.2A
Bluetooth frequentie	2402-2480MHz			
BT max. RF vermogen	-2.32dBm			
VHF hand microfoon frequentie	207.5MHz	207.5MHz	207.5MHz	207.5MHz
VHF headset microfoon frequentie			203.5MHz	203.5MHz
Max. RF vermogen	0.79dBm	0.79dBm	0.79dBm	0.79dBm
Voeding	15V= 4A		220-240V~ / 50-60Hz	
Afmetingen	330x310x490mm	370x360x525mm	400x375x620mm	485x445x728mm
Gewicht	9.2kg	10.5kg	15kg	19.8kg

**Correcte verwijdering van dit product**

Deze markering geeft aan dat dit product niet met ander huishoudelijk afval in de hele EU mag worden weggegooid. Om mogelijke schade aan het milieu of de menselijke gezondheid door ongecontroleerde afvalverwijdering te voorkomen, moet u deze op verantwoorde wijze recyclen om duurzaam hergebruik van materiaalbronnen te bevorderen. Als u uw gebruikt apparaat wilt retourneren, gebruikt u de retour- en verzamelssystemen of neemt u contact op met de winkel waar het product is gekocht. Ze zullen voor milieuveilige recycling zorgen.

SISTEMAS PORTATILES AUTONOMOS

CON USB/BLUETOOTH Y MICROS VHF + CABLE

MANUAL DE USO

CONSIGNAS DE SEGURIDAD

- Declinamos toda responsabilidad por los daños materiales o las personas, por una mala manipulación del equipo y no respetar las consignas de seguridad. En caso de mala utilización, la garantía no se aplicará.
- Las modificaciones no autorizadas del equipo están prohibidas por razones de seguridad y de licencia (CE).
- Utilizar únicamente en interiores. No utilizar cerca del agua o en lugares con mucha humedad, tal como lavabos, piscinas...
- No exponer el equipo a temperaturas extremas ($< 5^{\circ}\text{C}$ / $> + 35^{\circ}\text{C}$), durante el funcionamiento.
- Proteger el equipo de vibraciones fuertes tensiones mecánicas.
- Proteger el equipo de la humedad extrema tal como el agua pulverizada, humedad ambiente...
- No coloque recipientes con líquidos encima o en las proximidades del equipo, ya que se puede verter el contenido dentro del equipo y producir daños materiales y con riesgo de descarga eléctrica a personas.
- No coloque pequeños objetos encima o cerca del equipo. Corre el riesgo de que se introduzcan dentro del equipo y puede producir daños al equipo y riesgo de descarga eléctrica a personas.
- Si un objeto penetra dentro del equipo, desenchúfelo y apáguelo inmediatamente y contacte con su vendedor.
- Para desconectar el enchufe, estire siempre de la clavija, jamás del cable.
- Jamás enchufe o desenchufe el conector de corriente con las manos húmedas.
- Desenchufe SIEMPRE el equipo de la corriente:
 - Durante el proceso de limpieza del equipo.
 - Durante una tormenta.
 - En caso de no utilización prolongada.
- Mantener los equipos eléctricos como este fuera del alcance de los niños. Sea particularmente atento en presencia de niños, ya que estos no son conscientes de los peligros de un aparato eléctrico y puede intentar introducir objetos en el interior con el consecuente peligro de electrocución, por ejemplo.
- No dejar de vigilar el equipo durante su funcionamiento.
- Jamás coloque el equipo en una superficie inestable o móvil. El equipo sufre riesgo de caerse y dañar a una persona o/y al propio equipo. Una parada brusca durante el transporte, puede tumbar el equipo.
- Si se abre el equipo, usted accederá a componentes con tensiones muy altas.
- Si ha de intervenir el equipo, desenchufar ANTES de manipularlo y SOLO ha de ser manipulado por un técnico autorizado que conozca los riesgos y reglamentación en vigor.
- Jamás enchufe el equipo cuando pase de un lugar frío a uno caliente. El agua de la condensación que se forma, puede provocar daños al equipo y descargas eléctricas. Esperar que el equipo se adapte a la nueva temperatura ambiente antes de enchufarlo. Espere a que el agua de la condensación se evapore, esto puede tardar varias horas.
- No colocar una llama, como por ejemplo una vela, cerca del equipo.
- No colocar el aparato en un lugar blando, tal como una alfombra o colchón.
- No obstruir los orificios de ventilación, ya que puede producir un sobrecalentamiento del equipo.
- Utilice el equipo en ambientes moderados, no lo utilice en ambientes tropicales.
- Todo usuario del equipo ha de conocer todas estas normas de seguridad del equipo y respetarlas.
- Para cambiar los cables de corriente defectuoso, solo lo puede hacer un especialista ya que tiene riesgo de electrocución.
- NO deje a los niños jugar con el material de embalaje, constituye un peligro potencial para ellos.
- En lugares públicos, es conveniente respetar la reglamentación concerniente a la prevención de accidentes y el código de los seguros concernientes a la responsabilidad civil.
- Si usted no sabe conectarlo o hacerlo funcionar, pida ayuda a un profesional

Restricciones de uso

- Este producto utiliza un sistema de transmisión VHF diseñado únicamente para uso profesional. Solo se puede utilizar en algunos países de la Unión Europea (FR - BE - PT - D - NL - LU - GR - SP - RO).



ALIMENTACIÓN POR BATERÍAS O POR CORRIENTE

Antes de la primera puesta en marcha del equipo, conecte el cable de corriente al equipo y al enchufe. Asegúrese que el indicador de carga se ilumina durante 14 Horas continuamente

PORT8VHF-BT & PORT10VHF-BT: Inserte el adaptador de red suministrado en la toma de entrada de CC (33) y el otro extremo en un tomacorriente de pared adecuado.

PORT12VHF-BT & PORT15VHF-BT: I: Inserte el cable de CA en la toma de CA (33) en el panel posterior y el otro extremo en una toma de pared adecuada.

Cargue la batería cuando el indicador LED (31) se ilumine en rojo. Durante el proceso de carga, el indicador LED (31) se ilumina en naranja. Se ilumina en verde cuando la batería está completamente cargada

NOTA: Apague el equipo después de cada uso.

NOTA IMPORTANTE SOBRE LAS BATERÍAS

1. **ANTES** del primer uso, cargue **COMPLETAMENTE** la batería **SIN INTERRUPCIONES**.
2. Recargue regularmente la batería después de cada uso, sin esperar a que estas se descargue
3. **NUNCA** permita que la batería se descargue por completo. La batería no soporta una descarga profunda y perderá su capacidad de carga, además, porque la corriente que necesitará durante la carga, será tan elevada que es probable que dañe el circuito de alimentación y o la alimentación del equipo.
4. Si no va a utilizar el producto durante un tiempo prolongado, es **OBLIGATORIO** verificar y cargar la batería al 100% al menos una vez al mes, si no respeta estas instrucciones, dañara irreversiblemente la batería.

La duración de la batería depende en buena parte de que siga estos consejos de utilización.

**** LAS BATERIAS NO ESTAN CUBIERTAS POR LA GARANTIA****

No aceptamos ninguna responsabilidad por baterías dañadas prematuramente debido al incumplimiento de estas reglas básicas.

PORT12VHF-BT Y PORT15VHF-BT SOLAMENTE

Estos modelos tienen una entrada de DC (28) en el panel posterior que le permite al usuario alimentar la unidad a través de una batería externa o una toma de encendedor de automóvil en caso de que no haya una fuente de alimentación de red a mano y la batería incorporada esté agotada o cargado insuficientemente. Esta entrada no permite cargar la batería incorporada

DESCRIPCION DE LOS CONTROLES

NO	PORT8VHF-BT	PORT10VHF-BT	PORT-12VHF-BT	PORT15VHF-BT
1			Puerto USB	
2			Tarjeta SD	
3			Display MP3	
4			Controles MP3	
5			Selector de entrada	
6			Volumen general	
7			Control de graves	
8			Control de agudos	
9			Control Eco	

10	Control de volumen de micrófonos cableados.	
11	Control VOX (Atenuación por la voz)	
12	Entrada para micrófono con cable 1 o guitarra	
13	Entrada para micrófono con cable 2	
14	Entrada línea	
15	Salida línea hacia un amplificador u otro altavoz activo	
16	Entrada Ipod/lector MP3	
17	Volumen del Microfono VHF A	
18	Indicador de recepción de señal de canal A	
19		Indicador de recepción de señal de canal B
20	Interruptor On/Off de la función VHF	
21	Indicador de activación de VHF	
22		Volumen del Microfono VHF B
23	Bluetooth emparejamiento LED	
24		Conector de antena A
25	Bluetooth activado / desactivado / control de volumen	
26	Clave de emparejamiento	
27		Conector de antena B
28		Entrada DC
29	Indicador de encendido	
30	Interruptor ON/OFF	
31	Indicador de carga	
32	Compartimiento de fusible DC	Compartimiento de fusible DC
33	Entrada de corriente	
34	Compartimiento de fusible AC	

LECTURA DE UN FICHERO DE MÚSICA MP3/WMA

1. Encender el equipo. El indicador LED (29) se enciende en verde.
2. Inserte una memoria USB (1) o una tarjeta SD (2) en la entrada correspondiente.
3. Seleccione USB por medio de la tecla MODE (5).
4. Seleccione un título con las teclas ◀ o ▶ y apriete en ▶ || (4)

UTILIZACIÓN ENTRADA LÍNEA

1. Conecte una clavija RCA en la entrada LINE IN (10)
2. Si LINE no se muestra de forma predeterminada, presione el botón MODE (5) hasta que aparezca LINE.
3. Si desea cantar en el micrófono a la música, conecte un micrófono con cable a las entradas de micrófono 12 o 13 o active la función VHF (20) y encienda el micrófono.
4. Ajuste el volumen de la fuente de nivel de línea (6).

UTILIZACIÓN DE LA FUNCIÓN VOX

La función VOX atenúa automáticamente la música cuando se habla en el micro. La música vuelve a su nivel normal un vez se deje de hablar por el micrófono.

Para activar la función VOX, posicione el interruptor VCV (20) en on. Para anular esta función, posicione el interruptor en OFF

GRABACIÓN (REC)

1. Para iniciar la grabación, presione el botón REC (4).
2. Se creará un archivo en su llave USB o tarjeta SD que se colocará después de los archivos ya presentes.
3. Para detener la grabación, vuelva a presionar el botón REC.
4. Para escuchar su grabación, seleccione el archivo en la tarjeta SD o en la llave USB.

Nota: Solo se puede grabar el sonido del micrófono (s), no hay otra fuente de música.

USO DE LA FUNCIÓN BLUETOOTH EN EL PORT8VHF-BT

1. Presione el botón MODE (5) para seleccionar el modo BT.
2. Active la función Bluetooth en su teléfono inteligente u otra tableta.
3. Seleccione el altavoz que aparece bajo el nombre "IBIZA-PORT" en la lista de dispositivos encontrados.
4. Ahora puede reproducir su música en el sonido portátil ajustando el volumen usando la perilla de volumen principal.
5. No monte excesivamente el volumen de su teléfono inteligente o tableta. No exceda el 75% del volumen total para evitar la distorsión del sonido.

USO DE LA FUNCIÓN BLUETOOTH EN EL PORT10 / 12 / 15VHF-BT

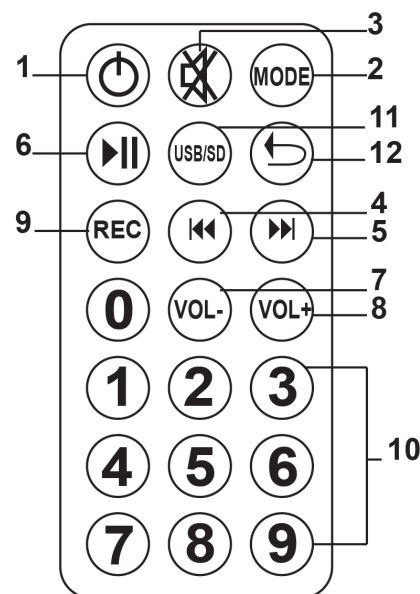
1. Active la función Bluetooth girando el botón (25). El LED de Bluetooth (23) se enciende.
2. Active la búsqueda Bluetooth en su teléfono inteligente o tableta.
3. Presione el botón ► || (26) hasta que el LED (23) parpadee.
4. Seleccione IBIZA-PORT de la lista de dispositivos encontrados.
5. Ahora puede reproducir su música en el sonido portátil ajustando el volumen usando la perilla de volumen principal.
6. No monte excesivamente el volumen de su teléfono inteligente o tableta. No exceda el 75% del volumen total para evitar la distorsión del sonido.

USO DE LOS MICROFONOS VHF


Encienda la función VHF en la parte posterior del altavoz presionando la tecla (20) hacia abajo. Encienda el micrófono VHF usando el interruptor en el cuerpo del micrófono. El indicador de señal RF.A (18) o RF.B (19) se enciende cuando el altavoz recibe la señal VHF del micrófono. Ajuste el volumen utilizando los controles 17 y / o 22 (solo PORT12 / 15VHF-BT). El altavoz seleccionará automáticamente el micrófono inalámbrico. Ajuste el volumen utilizando los controles de volumen VHF (6).

MANDO A DISTANCIA

1. **Boton de encendido / apagado**
2. **MODE:** Presione hasta que se muestre el modo de operación deseado
3. **MUTE:** Parada de sonido
4. **Play/pause ► || :** Presione para reproducir una pista, presione para pausar
5. **◀◀/CH-:** Volver a la pista anterior. En modo FM: volver a la emisora de radio anterior.
6. **▶▶/CH+ :** Ir a la siguiente pista. En modo FM: ir a la siguiente estación de radio
7. **VOL-:** Reducir el volumen
8. **Vol+:** Aumenta el volumen
9. **USB/SD:** Selecciona entre entrada USB y SD
10. **REC:** Iniciar y detener la grabación.
11. **Botones numéricos:** presione el número de la pista



RECOMENDACIONES PARA BATERÍAS

 Este símbolo indica que las baterías usadas no se deben tirar con la basura doméstica, sino que deben depositarse en puntos de recogida separados para su reciclaje.

ATENCIÓN

Peligro de explosión si la Pila se reemplaza incorrectamente.
Reemplace solo por el mismo tipo o tipo equivalente.

ADVERTENCIA

No ingiera la Pila. Peligro de quemaduras químicas.

(El control remoto suministrado incluye una de estas pilas) Este producto contiene una pila de botón. Si se traga la pila del botón, puede provocar quemaduras internas graves y en solo 2 horas y puede provocar la muerte.

Mantenga las pilas nuevas y usadas fuera del alcance de los niños.

Si el compartimiento de la pila no se cierra correctamente, deje de usar el producto y manténgalo fuera del alcance de los niños.


Si tiene dudas sobre si las pilas hayan podido ser tragadas por alguien o se puedan haber introducido en alguna parte del cuerpo de alguien, consulte a un médico de inmediato.

MANTENIMIENTO

Antes de limpiar la unidad, desconéctela de la red eléctrica. No utilice productos de limpieza agresivos. Use un paño limpio para limpiar el polvo o la suciedad del producto. No nos hacemos responsables de los daños derivados de una manipulación incorrecta, uso incorrecto o desgaste. Nos reservamos el derecho a hacer cambios técnicos.

SPECIFICACIONES

	PORT8VHF-BT	PORT10VHF-BT	PORT12VHF-BT	PORT15VHF-BT
Woofer	8"/20cm	10"/25cm	12"/30cm	15"/38cm
Tweeter	1"/25mm altavoz de compresión			
Sensibilidad	96dB±2dB	98dB±2dB	99dB±2dB	101dB±2dB
SPL máx.	105dB	107dB	109dB	115dB
Impedancia	4 Ohmios			
Banda pasante	60-20,000Hz	55-20,000Hz	45-20,000Hz	40-20,000Hz
Batería integrada	12V/2.3A	12V/4.5A	12V/4.5A	12V/7.2A
Frecuencia Bluetooth	2402-2480MHz			
BT máx. potencia de RF	-2.32dBm			
Frecuencia de micrófono de mano VHF.	207.5MHz	207.5MHz	207.5MHz	207.5MHz
Frecuencia de micrófono headset VHF			203.5MHz	203.5MHz
Potencia de RF máx	0.79dBm	0.79dBm	0.79dBm	0.79dBm
Alimentación	15V= 4A		220-240V~ / 50-60Hz	
Dimensiones	330x310x490mm	370x360x525mm	400x375x620mm	485x445x728mm
Peso	9.2kg	10.5kg	15kg	19.8kg

 Este símbolo significa que este equipo no debe ser lanzado a la basura doméstica en ningún país de la comunidad europea con el fin de evitar ensuciar el medio ambiente y no dañar la salud humana. Para devolver su equipo usado, le agradeceríamos que utilice los puntos de recogida y de reciclado destinados para esta finalidad o bien contactar con la persona que le vendió el equipo para que le informe de como proceder. Ellos pueden recoger este equipo para un reciclado ecológico.

SISTEMAS AMPLIFICADOS PORTÁTEIS VHF COM USB, BT, CONTROLO REMOTO E 2 MICROFONES

PT 

MANUAL DE INSTRUÇÕES

INSTRUÇÕES DE SEGURANÇA IMPORTANTES E AVISOS DE PERIGO

- Não nos responsabilizamos por danos causados a bens ou pessoas, devido ao manuseio inadequado ou não-conformidade com as instruções de segurança. A garantia não se aplica.
- A alteração não autorizada da unidade está proibida por razões de segurança e licença (CE).
- Use apenas em ambientes fechados e locais secos e fechados. Não utilize perto de água, como numa casa de banho ou perto de uma piscina.
- Não expor a temperaturas extremas (<5 ° C / > 35 ° C) durante a operação.
- Manter afastado de vibrações fortes e stress mecânico.
- Mantenha afastado de ambientes húmidos (por exemplo, exterior).
- Não coloque objetos cheios de líquidos, tais como copos ou vasos, sobre ou perto da unidade. Eles podem cair e verter o líquido para dentro do dispositivo. Nunca derrame líquidos sobre o dispositivo.
- Não coloque objetos pequenos como moedas e cliques de papel no dispositivo, pois podem cair dentro da unidade. Pode provocar um incêndio ou choque elétrico. Se um líquido ou um objeto estranho entrar na unidade, desligue imediatamente da tomada e contacte o seu revendedor.
- Para desligar o cabo de alimentação, puxe sempre pela ficha e nunca pelo cabo.
- Nunca desligue o cabo de alimentação com as mãos molhadas.
- Desligue sempre o cabo de alimentação:
 - Antes de limpar
 - Durante uma tempestade
 - Em caso de não-uso (> 1 semana)
- Mantenha os aparelhos elétricos fora do alcance das crianças. Tenha especial atenção quando as crianças estão presentes, pois as mesmas não estão cientes do perigo de um dispositivo elétrico e podem sofrer eventuais riscos de eletrocussão.
- Não deixe o aparelho sem vigilância durante o funcionamento.
- Nunca coloque o aparelho sobre uma superfície instável ou móvel. Poderão resultar danos ou ferimentos devido à queda.
- Ao abrir a caixa, não existem componentes visíveis (a menos que possa aceder sem ferramentas). Os pontos de contacto também podem ser ligados. Se abrir o dispositivo para calibrar, manter, reparar ou substituir componentes, deverá ter em conta que todos os terminais devem primeiro ser desligados de todas as fontes de energia. Se manter o dispositivo aberto e ligado à corrente durante a manutenção ou reparação, o mesmo deverá ser executado por um especialista que conheça os riscos e os regulamentos aplicáveis.
- Existe um folheto informativo para o laser no verso. Não remova os sinais de alerta do dispositivo. Não abra o dispositivo ao tentar aceder ao interior.
- Nunca ligue o dispositivo logo após a passagem de um local frio para um lugar quente. A condensação que se forma pode danificar o aparelho ou provocar o choque elétrico. Aguarde até que o aparelho atinja a temperatura ambiente antes de ligar. Aguarde até que a condensação evapore o que pode levar várias horas.
- Não coloque chamas, tais como velas acesas, sobre ou perto da unidade.
- Não coloque o aparelho sobre uma superfície macia, como tapete ou cama. Não obstrua as ranhuras de ventilação. Não bloqueie a circulação de ar com objetos, tais como revistas, toalhas ou cortinas. Isso impede a dissipação de calor e pode causar sobreaquecimento.
- Use o aparelho apenas num ambiente moderado. Não utilizar num ambiente tropical.
- Todas as pessoas envolvidas na utilização, instalação e manutenção deste equipamento devem ser instruídas, qualificadas e devem seguir estas diretrizes.
- Os cabos de alimentação com defeito devem ser substituídos por um especialista. Risco de choque elétrico!
- Não deixe material na embalagem, pois é um potencial perigo para as crianças.
- Em locais públicos, deve cumprir com as regulamentações relativas à prevenção de acidentes e o código seguro em matéria de responsabilidade civil.
- Se não tiver a certeza da ligação correta ou se tiver alguma dúvida que o manual de instruções não possa responder, não hesite em procurar aconselhamento de um especialista. Para mais informações contacte o seu revendedor

Restrições de Utilização

- Este produto usa um sistema de transmissão VHF destinado apenas para uso profissional. Só pode ser utilizado em alguns países da União Europeia (FR - BE - PT - D - NL - LU - GR - SP - RO).



FONTE DE ALIMENTAÇÃO: BATERIA E OPERAÇÃO AC

Bateria recarregável incorporada com alimentação AC. Antes de utilizar este sistema pela primeira vez insira o cabo AC na tomada AC do equipamento e ligue a outra extremidade a uma tomada elétrica adequada. Certifique-se de que o "indicador de carga" está ligada durante 14 horas.

PORT8VHF-BT & PORT10VHF-BT: Insira o adaptador de alimentação fornecido na ficha de entrada DC (33) e a outra extremidade numa tomada de parede adequada

PORT12VHF-BT & PORT15VHF-BT: Insira a ficha na entrada AC (33) no painel traseiro e a outra extremidade numa tomada de parede adequada.

Por favor, carregue a bateria quando o indicador LED (31) acender em vermelho. Durante o processo de carregamento, o indicador LED acende em laranja. Acende em verde quando a bateria está totalmente carregada.

NOTA: Desligue da tomada quando já não estiver a usar o equipamento

LEMBRETE: APARELHOS QUE CONTÊM BATERIAS

- 1. ANTES da primeira utilização, por favor, carregue totalmente a bateria sem qualquer interrupção.**
- 2. Carregue a bateria regularmente após cada utilização. Não aguarde que a bateria descarregue!**
- 3. Não deixe a bateria descarregar totalmente! Quando a bateria estiver totalmente descarregada, o consumo de corrente para recarga será tão alto que danificará o carregador e / ou a fonte de alimentação.**
- 4. Se não usar o equipamento por um longo período de tempo, por favor, CARREGUE A BATERIA COMPLETAMENTE ATÉ 100% e verifique / carregue uma vez por mês, caso contrário a bateria será inoperacional.**

O tempo de vida útil da bateria depende da observância destas recomendações.

**** BATERIAS NÃO SÃO COBERTAS PELA GARANTIA ****

Não podemos ser responsabilizados por baterias danificadas, pelo incumprimento destas regras básicas.

UNICAMENTE PORT12VHF-BT & PORT15VHF-BT

Estes modelos têm uma entrada de 12-15V 4A (28) no painel traseiro que permite ao utilizador alimentar a unidade através de uma bateria externa ou ficha de isqueiro. No caso de não haver nenhuma fonte de alimentação à mão e a bateria embutida ficar com carga insuficiente, esta entrada não permite carregar a bateria interna.

DESCRIÇÃO DOS CONTROLOS

NO	PORT8VHF-BT	PORT10VHF-BT	PORT12VHF-BT	PORT15VHF-BT
1			Entrada USB	
2			Entrada para cartões SD	
3			Visor MP3	
4			Controlos MP3	
5			Seletor de entrada	
6			Controle de volume principal	
7			Controlo de graves	
8			Controlo de agudos	

9	Controlo de ECO do microfone		
10	Controle de volume de entradas de MIC com fio		
11	Controlo VCV		
12	Entradas para microfone 1 e guitarra		
13	Entradas para microfone 2		
14	Entrada de linha		
15	Saída para misturador / amplificador		
16	Entrada para iPod/MP3		
17	Volume do microfone VHF A		
18	Indicador de sinal do canal A		
19			Indicador de sinal do canal B
20	Interruptor de ligação ON/OFF VHF		
21	LED de funcionamento VHF		
22			Volume do microfone VHF B
23	LED de emparelhamento Bluetooth		
24			Conector da antena A
25	Bluetooth On / Off / controle de volume		
26	Botão de emparelhamento		
27			Conector da antena B
28			Entrada da fonte de alimentação DC
29	LED de funcionamento		
30	Interruptor de ligação ON/OFF		
31	Charge indicator		
32	Suporte do fusível de protecção DC		Suporte do fusível de protecção DC
33			Entrada de alimentação
34			Suporte do fusível de protecção AC

PARA REPRODUZIR MP3/WMA ATRAVÉS USB

1. Ligue o dispositivo USB. O indicador LED (29) acende em verde.
2. Insira um dispositivo USB (1) ou um cartão SD (2) na entrada relevante.
3. Selecione USB através do botão MODE (5).
4. Selecione um título através dos botões ◀ ou ▶ (4) e prima ▶ || (4)

PARA REPRODUZIR MÚSICA NA ENTRADA LINHA

1. Insira a ficha RCA na entrada LINE IN (14).
2. Se LINE não for exibido por padrão, pressione o botão MODE (5) até que LINE seja exibido.
3. Se você quiser cantar junto com a música, insira um microfone com fio no MIC INPUT (12 ou 13) ou ligue a função de microfone sem fio (20) e o interruptor no microfone sem fio.
4. Ajuste o controle de volume (6) da fonte da linha.

FUNÇÃO DE GRAVAÇÃO (REC)

1. Para iniciar a função de gravação, pressione o botão RECORD (4).
 2. Um arquivo é criado no seu stick USB ou cartão SD.
 3. Para parar a gravação, pressione o botão RECORD novamente.
 4. Para ouvir o seu registro, selecione a faixa no cartão SD ou pendrive.
- Nota: Apenas o som do (s) microfone (s) pode ser gravado, nenhuma outra fonte de som.*

PARA USAR A FUNÇÃO VOX

Quando a função VOX é ativada, o som da música diminui quando alguém fala para um dos microfones. O nível de som volta ao normal quando o utilizador parar de falar para o microfone.

Para ativar esta função, ligue o interruptor VCV (11) para ON. Se quiser desativar esta função, coloque na posição OFF.

PROCEDIMENTO DE PAREDE BLUETOOTH PARA PORT8VHF-BT

1. Pressione o botão MODE (5) até que BLUETOOTH seja exibido. A função BLUETOOTH está agora ativada.
2. Ative a função Bluetooth no seu smartphone ou em outro tablet PC.
3. O produto aparece sob o nome «IBIZA-PORT» e pode ser conectado ao seu equipamento.
4. Agora toque sua música através do sistema de som portátil. Ajuste o volume usando o botão de volume Master (6).
5. Não defina o volume do seu smartphone ou tablet PC muito alto. Não exceda $\frac{3}{4}$ do volume total para evitar distorção.

PROCEDIMENTO DE PAREDE BLUETOOTH PARA PORT10 / 12 / 15VHF-BT

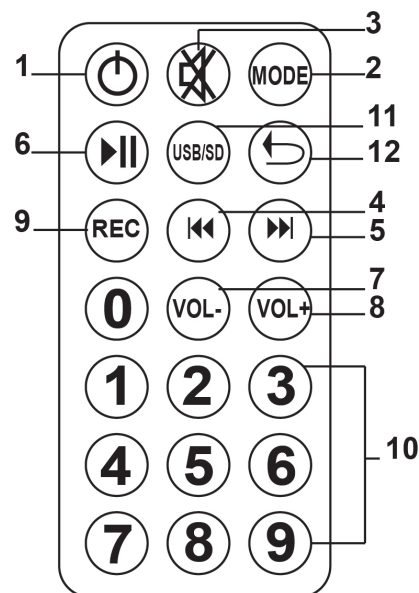
1. Ligue a função Bluetooth através do botão rotativo (25). O LED Bluetooth (23) acenderá
2. Ative a função de conexão Bluetooth do seu dispositivo
3. Pressione o botão ▶ || (26) até o LED (23) piscar
4. Selecione IBIZA-PORT na lista de dispositivos encontrados
5. Você está pronto para tocar sua música

UTILIZAÇÃO DOS MICROFONES VHF

Ative a função VHF pressionando o interruptor VHF (20) até a posição ON. Ligue o microfone VHF através do interruptor no corpo do microfone. O indicador de sinal R.F.A (18) ou R.F.B (19) acenderá quando a caixa receber o sinal VHF do microfone. Ajuste o volume através dos controles de volume do microfone VHF (17 e / ou 22 (somente PORT12 / 15VHF-BT)).

CONTROLO REMOTO

1. Botão liga / desliga
2. **MODO:** Prima até que o modo de operação desejado seja exibido
3. **MUTE:** Desliga o som
4. Reproduzir / pausa ▶ || : prima para reproduzir uma faixa, prima novamente para pausar
5. ◀◀ / **CH-**: volta para a faixa anterior.
No modo FM: de volta para a estação de rádio anterior
6. ▶▶ / **CH +**: vai para a próxima faixa.
No modo FM: Ir para a próxima estação de rádio
7. **VOL-**: Reduza o volume
8. **Vol +**: aumenta o volume
9. **REC**: selecione a entrada entre USB e SD
10. **Botões numéricos:** prima o número da faixa desejada
ENTER: Depois de ter feito sua seleção, prima ENTER para confirmar.



RECOMENDAÇÕES PARA BATERIAS



Este símbolo indica que as baterias usadas não devem ser descartadas junto com o lixo doméstico, mas depositadas em pontos de recolha para reciclagem.

ATENÇÃO

Perigo de explosão se a bateria estiver colocada incorretamente.
Substitua apenas pelo mesmo tipo ou equivalente.

ADVERTÊNCIA

Não ingerir. Perigo de queimaduras químicas.

O controlo remoto (fornecido) deste produto contém uma pilha de botão. Em caso de ingestão, pode causar graves queimaduras internas em apenas 2 horas, o que pode levar à morte.

Mantenha baterias novas e antigas fora do alcance de crianças.

Se o compartimento da bateria não fechar corretamente, pare de usar o produto e mantenha-o fora do alcance de crianças.


Se tiver dúvidas se as pilhas foram engolidas ou introduzidas em qualquer outra parte do corpo, contacte imediatamente um médico.

CUIDADO

Antes de limpar a unidade, desconecte-a da rede elétrica. Não use agentes de limpeza agressivos. Use um pano limpo para limpar poeira ou sujeira do produto. Não nos responsabilizamos por danos decorrentes de manuseio incorreto, uso indevido ou desgaste. Nós nos reservamos o direito de fazer alterações técnicas.

ESPECIFICAÇÕES

	PORT8VHF-BT	PORT10VHF-BT	PORT12VHF-BT	PORT15VHF-BT
Woofers	8"/20cm	10"/25cm	12"/30cm	15"/38cm
Tweeter	1"/25mm controlador de compressão			
Sensibilidade	96dB±2dB	98dB±2dB	99dB±2dB	101dB±2dB
Max. SPL	105dB	107dB	109dB	115dB
Impedância	4 Ohms			
Frequência resposta	60-20,000Hz	55-20,000Hz	45-20,000Hz	40-20,000Hz
Bateria embutida	12V/2.3A	12V/4.5A	12V/4.5A	12V/7.2A
Bluetooth frequency	2402-2480MHz			
BT max. RF power	-2.32dBm			
VHF handheld mic freq.	207.5MHz	207.5MHz	207.5MHz	207.5MHz
VHF headset mic freq.			203.5MHz	203.5MHz
Max. RF power	0.79dBm	0.79dBm	0.79dBm	0.79dBm
Tensão funcionamento	15V= 4A		220-240V~ / 50-60Hz	
Dimensões	330x310x490mm	370x360x525mm	400x375x620mm	485x445x728mm
Peso	9.2kg	10.5kg	15kg	19.8kg

 Esta marca indica que este produto não deve ser descartado com outros resíduos domésticos em toda a UE. Para evitar possíveis danos ao meio ambiente ou à saúde humana causados pelo descarte não controlado de resíduos, recicle-os com responsabilidade para promover a reutilização sustentável de recursos materiais. Para devolver o seu dispositivo usado, use os sistemas de devolução e coleta ou entre em contato com o revendedor onde o produto foi comprado. Eles podem levar este produto para reciclagem ambientalmente segura

PRENOSNI PA SISTEMI

Z USB, BLUETOOTH, DALJINSKIM UPRAVLJALNIKOM IN VHF + ZICNI MIKROFONI

NAVODILA ZA UPORABO

POMEMBNA VARNOSTNA NAVODILA IN OPOZORILA ZA NEVARNOST

- Prosimo, da preberete priročnik previdno in ga shranite za poznejšo uporabo.
- Morajo biti upoštevana vsa varnostna navodila in opozorila. So del priročnika in jih morate hraniti z priročnikom.
- Garancija je neveljavna, če škoda nastane zaradi neupoštevanja navodil za uporabo. Ne prevzemamo nobene odgovornosti za kakršnokoli posledično škodo.
- Ne prevzemamo nobene odgovornosti za telesne poškodbe ali materialne škode zaradi nepravilnega ravnanja ali neupoštevanja varnostnih navodil. Vsi garancijski zahtevki so neveljavni v takih primerih.
- Nedovoljene pretvorbe in / ali modifikacije aparata ne smejo zaradi razlogov varnosti in izdajanja dovoljenj (CE).
- Aparat je odobren za delovanje samo v suhih, zaprtih prostorih. Ne uporabljajte naprave v bližini vode, na primer v kopalnice ali v bližini bazenov.
- Aparat ne sme biti izpostavljen ekstremnim temperaturam (<math><5^{\circ}\text{C}</math> /> - Aparat ne sme biti predmet močnih vibracij ali težko mehansko obremenitvijo.
- Aparat se ne sme izpostavljeni preveliki vlagi (zaradi kapljanja ali poškropiti z vodo, na primer).
- Ne postavljajte predmetov, ki, so napolnjeni s tekočino, kot so vaze..., na vrhu ali neposredno zraven aparata. Lahko padejo, zaradi česar voda vstopi v napravo.
- Nikoli ne izlijte tekočino nad napravo. Ne postavljajte majhnih predmetov, kot so kovanci, sponke za papir, na aparatu, saj bi lahko spadajo v notranjost aparata. Obstaja veliko tveganje povzročitve požarja ali smrtno eganevarno električnega udara!
- Če katerikoli tekočina ali predmet vstopi v aparat, potegnite vtič iz vtičnice takoj in se obrnite na strokovnjaka.
- Samo potegnite električni vtič iz vtičnice. Ne vlecite za kabel.
- Nikoli ne potegnite električni vtič iz vtičnice z vlažnimi ali mokrimi rokami.
- Vedno potegnite električni vtič iz vtičnice:
 - Pred čiščenjem aparata
 - Če je nevihta
 - Če ne boste uporabljali aparata za dolgo časa (več kot 1 teden)
- Električne naprave morajo biti izven dosega otrok. Bodite še posebej previdni, če otroci so prisotni. Otroci se ne zavedajo nevarnosti, Otroci lahko poskušajo vstaviti predmet v napravo. To je smrtno nevarno zaradi nevarnosti električnega udara.
- Ne puščajte jo brez nadzora, medtem ko naprava to deluje.
- Ne postavljajte aparata na nestabilno ali premičnih površino. Osebe, se lahko poškodujejo ali aparat pade na tla in se poškoduje.
- Pri uporabi stojala, poskrbite, da je v stabilnem položaju in varno postavljeno. Namestitev na neravnih in poševnih površinah lahko povzroči uničenje zaradi prevračanja.
- Aktivne komponente se lahko izpostavljeni tako, da odprete pokrova ali odstranjevanju delov (razen če je to mogoče storiti brez orodja). Kontaktno točke lahko tudi v živo. Če naprava mora biti odprt za umerjanje, storitve, popravilo ali zamenjavo sestavnih delov ali sklopov, je treba vse svoje pole ločiti od vseh virov napetosti prvo. Če naprava mora biti odprt in pod napetostjo med vzdrževanjem ali popravili, to delo lahko opravi le strokovnjak, ki je seznanjen s tem povezano tveganje in ustreznih predpisov.
- Nikoli aparat ne priključujte neposredno po tem, ko jo prenesete iz hladnega v toplem prostor. Pustite, da se naprava segreje na sobno temperaturo, preden jo priključite.
- Ne postavljajte v bližini odprtega ognja, kot so sveče...
- Ne postavljajte aparata na mehkih površinah, kot so preproge ali postelje. Ne pokrivajte zračne reže naprave. S tem ovirate kroženje zraka s predmeti, kot so revije, namiznih prtov ali zaves. To preprečuje razpršitev toplote iz aparata in lahko povzroči pregrevanje.
- Napravo uporabljajte samo v zmernem podnebju, ki niso v tropskem okolju.
- Vse osebe, vključene v delovanje, namestitev in servisiranje aparata in uporabo morajo biti usposobljeni in

upoštevati ta navodila.

- Omrežni kabel lahko nadomesti samo strokovnjaki. Nevarnost električnega šoka!
- Ne puščajte embalaže leži okoli brezskrbno, saj lahko postane vir nevarnosti za otroke, ki se igrajo z njim.
- Če niste prepričani o pravilni povezavi, ali če se pojavijo vprašanja, ki niso v skladu z navodili, prosimo, ne oklevajte in se obrnite na podporo ali specialista po vaši izbiri. Posvetujte se s strokovnjakom, če ste v dvomih, načinu delovanja in varnosti izdelka.



Omejitev uporabe

- Ta izdelek uporablja VHF prenosni sistem, ki je namenjen samo profesionalni uporabi.
- Uporablja se lahko samo v nekaterih državah Evropske unije (FR - BE - PT - D - NL - LU - GR - SP - RO)..

NAPAJANJE: AKUMULATOR IN AC DELOVANJE

Vgrajena baterija za polnjenje in AC moči. **Pred uporabo tega sistema, prvič, vas prosimo, vstavite kabel v adapter AC vtičnico AC predvajalnika in priključite drugi konec na ustrezno vtičnico. Poskrbite, da "CHARGE INDICATOR" Vklapljen 14 ur neprekinjeno**

PORT8VHF-BT & PORT10VHF-BT: Priloženi omrežni adapter vstavite v vhodno vtičnico (33), drugi konec pa v ustrezno zidno vtičnico

PORT12VHF-BT & PORT15VHF-BT: Priključite napajalni kabel v AC vtičnico (33) na zadnjo ploščo, drugi konec pa v ustrezno vtičnico.

Napolnite baterijo, ko indikator LED (31) sveti rdeče. Med postopkom polnjenja LED indikator sveti oranžno. Ko je baterija popolnoma napolnjena, sveti zeleno.

OPOMBA: : Prosimo, izklopite glavno stikalo, potem ko ste končali z uporabo sistema.

OPOZORILO: NAPRAVE KI VSEBIJEJO BATERIJE

1. **PRED PRVO UPORABO, napolnite baterijo na 100% brez kakršnekoli prekinitve.**
2. **Po vsaki uporabi redno napolnite baterijo. Ne čakajte, da se izprazni!**
3. **NE DOVOLITE, da se baterija popolnoma izprazni! Ko je baterija popolnoma prazna, bo tok za polnjenje tako visok, da bo poškodoval polnilnik in / ali napajanje enote.**
4. **Če enote ne uporabljate dlje časa, NAPOLNITE BATERIJO NA 100% in preverite / napolnite enkrat na mesec, sicer bo baterija neuporabna.**

Življenjska doba baterije je odvisna od upoštevanja teh priporočil.

**** BATERIJE NISO ZAJETE V GARANCIJI ****

Mi nismo odgovorni za poškodovane baterije zaradi neupoštevanja teh osnovnih pravil.

SAMO PORT12VHF-BT & PORT15VHF-BT

Ti modeli imajo na vhodni plošči 12-15V4A vhod (28), ki omogoča uporabniku, da napaja enoto prek zunanega akumulatorja ali vtičnice za vžigalnik v primeru, da na njem ni omrežnega napajanja in da je vgrajena baterija izčrpana ali nezadostno zaračunan. **Ta vhod ne omogoča polnjenja vgrajene baterije**

OPIS KONTROL

NO	PORT8VHF-BT	PORT10VHF-BT	PORT12VHF-BT	PORT15VHF-BT
1	USB vhod			
2	SD card vtičnica			
3	MP3 Zaslon			
4	MP3 kontrole			
5	Izbirnik vnosa			
6	Glavni nadzor glasnosti			
7	Tonske kontrole za nizke tone			
8	Tonske kontrole za visoke tone			
9	ECHO kontrola za mikrofona			
10	Glasnost mikrofona			
11	VCV kontrola			
12	Vhod za ožičeni mikrofona 1 ali kitara			
13	Vhod za ožičeni mikrofona 2			
14	Vnos nivoja linije			
15	Izhod v mešalnik ali ojačevalnik			
16	Vhodni priključek za iPod / MP3			
17	Nadzor glasnosti VHF mikrofona A			
18	Kanal kazalnika signala A			
19	Kanal kazalnika signala B			
20	VHF stikalo za vklop / izklop			
21	LED VHF			
22	Nadzor glasnosti VHF mikrofona B			
23	LED za povezavo Bluetooth			
24	Konektor antene A			
25	Bluetooth vklop / izklop / nadzor glasnosti			
26	Gumb za spajanje			
27	Konektor antene B			
28	Vhodni napajalnik DC			
29	Power LED			
30	Stikalo za vklop / izklop			
31	Napolnjenost baterije in LED polnjenja			
32	DC Fuse compartment	DC Fuse compartment		DC Fuse compartment
33	Glavna vtičnica napajanja			
34	Glavno držalo varovalke			

PREDVAJANJE MP3/WMA GLASBE

1. Preklopite vir moči na ON. Indikator LED (29) sveti zeleno.
2. V ustrezen vhod vstavite USB ključ (1) ali SD kartico (2).
3. Izberite USB preko gumba MODE (5).
4. Izberite skladbo preko gumbov « ali » in pritisnite ► || (4)

PREDVAJANJE LINE IN GLASBE

1. Vstavite RCA vtikač v LINE VHOD (14).
2. Če LINE ni privzeto prikazan, pritisnite tipko MODE (5), dokler se ne prikaže LINE.
3. Če želite peti skupaj z glasbo, vstavite žični mikrofona v MIC INPUT (12 ali 13) ali vključite funkcijo brezžičnega mikrofona (20) in stikalo na brezžičnem mikrofona.
4. Prilagodite glasnost mikrofona (6).

UPORABA FUNKCIJE VOX

Ko je VOX funkcija omogočena, nivo glasba se zmanjša, ko nekdo govori v enega od mikrofonov. Nivo glasba postane normalen, ko uporabnik preneha govoriti v mikrofon.

Če želite aktivirati to funkcijo, preklopite stikalo VCV (11) za naprej. Če želite onemogočiti to funkcijo, nastavite to stikalo v položaju izklopa

FUNKCIJA SNEMANJA (REC)

1. Za začetek snemanja pritisnite tipko RECORD (4).
2. Datoteka se ustvari na USB-ključu ali SD-kartici.
3. Za zaustavitev snemanja znova pritisnite tipko RECORD.
4. Če želite poslušati svoj posnetek, izberite skladbo na kartici SD ali USB-ključu.

Opomba: Lahko se posname samo zvok mikrofona, brez drugega vira zvoka.

BLUETOOTH PAIRING POSTOPEK ZA PORT8VHF-BT

1. Pritisnite tipko MODE (5), dokler se ne prikaže BLUETOOTH. Funkcija BLUETOOTH je zdaj aktivirana.
2. Vključite napravo Bluetooth in aktivirajte funkcijo Bluetooth povezave
3. Izdelek se prikaže pod imenom «IBIZA-PORT» in je lahko priključen na vašo opremo.
4. Sedaj predvajate svojo glasbo prek prenosnega sistema zvoka. Nastavite glasnost z glavnim gumbom za glasnost (6).
5. Glasnosti pametnega telefona ali tabličnega računalnika ne nastavite previsoko. Ne preseči $\frac{3}{4}$ celotne glasnosti, da bi se izognili popačenju.

BLUETOOTH PAIRING POSTOPEK ZA PORT10 / 12 / 15VHF-BT

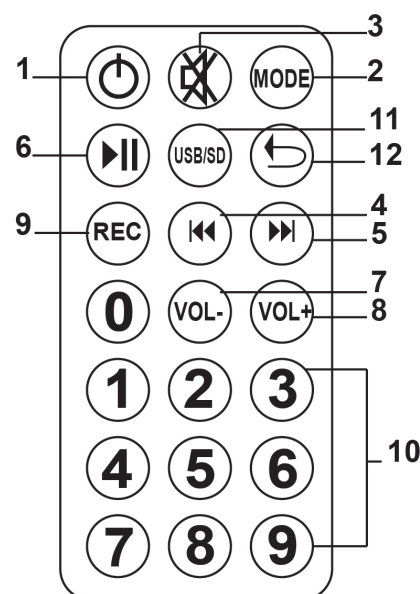
1. Vključite funkcijo Bluetooth prek vrtljivega gumba (25). Svetleča dioda Bluetooth (23) zasveti
2. Aktivirajte funkcijo Bluetooth povezave v napravi
3. Pritisnite gumb ► || (26), dokler ne utripa LED (23)
4. Na seznamu najdenih naprav izberite IBIZA-PORT
5. Pripravljeni ste igrati svojo glasbo

KAKO UPORABLJATI VHF MICS

Aktivirajte funkcijo VHF s pritiskom na stikalo VHF (20) v položaj ON. VHF mikrofona vklopite prek stikala na ohišju mikrofona. Signal signala R.F.A (18) ali R.F.B (19) se zasveti, ko polje prejme VHF signal iz mikrofona. Nastavite glasnost preko kontrolnikov glasnosti VHF mikrofona (17 in / ali 22 (samo PORT12 / 15VHF-BT)).

DALJINSKI UPRAVLJALNIK

1. **ON / OFF:** Gumb za vklop / izklop
2. **MODE:** Pritiskajte, dokler se ne prikaže zeleni način delovanja
3. **MUTE:** Izklop zvoka
4. Predvajanje / začasno ustavljanje ► || : Pritisnite za predvajanje skladbe, pritisnite za ustavitev
5. **CH- / ◀:** Nazaj na prejšnjo skladbo.
V načinu FM: nazaj na prejšnjo radijsko postajo
6. **CH + / ▶:** Pojdite na naslednjo skladbo.
V načinu FM: pojdite na naslednjo postajo
7. **VOL-:** Zmanjšajte glasnost
8. **VOL +:** Povečajte glasnost
9. **REC:** Pritisnite, da začnete in zaustavite snemanje
10. **Številčni gumbi:** Pritisnite številko zelene skladbe



PRIPOROČILA ZA BATERIJE

Ta simbol pomeni, da se rabljenih baterij ne sme odlagati skupaj z gospodinjskimi odpadki, ampak se odlagajo v posebnih zbirnih mestih za recikliranje.

POZOR

Nevarnost eksplozije, če je baterija nepravilno nameščena.
Zamenjajte le za isto ali enakovrednim tipom.

OPOZORILO

Ne pogoltnite baterije. Nevarnost kemičnih opeklin.
(Priložen daljinski upravljalnik) Ta izdelek vsebuje gumb baterijo. V primeru zaužitja lahko v roku 2 ur povzroči resne notranje opekline, ki bi lahko povzročile smrt.
Nove in stare baterije hranite izven dosega otrok.
Če se proctor za baterije ne zapira pravilno, prenehajte uporabljati izdelek in ga shranite izven dosega otrok.
Če ste v dvomih, ali so baterije pogoltnjene ali vnesene v kateri koli drugi del telesa, se takoj posvetujte z zdravnikom.

ČIŠČENJE

Pred čiščenjem enote jo ločite od omrežja. Ne uporabljajte agresivnih čistilnih sredstev. Za čiščenje prahu ali umazanije iz izdelka uporabite čisto krpo. Nismo odgovorni za škodo, ki nastane zaradi nepravilne uporabe, nepravilne uporabe ali obrabe. Pridržujemo si pravico do tehničnih sprememb.

TEHNIČNE LASTNOSTI

	PORT8VHF-BT	PORT10VHF-BT	PORT12VHF-BT	PORT15VHF-BT
Woofler	8"/20cm	10"/25cm	12"/30cm	15"/38cm
Tweeter	1"/25mm compression driver			
Občutljivost	96dB±2dB	98dB±2dB	99dB±2dB	101dB±2dB
Max. SPL	105dB	107dB	109dB	115dB
Impedanca	4 Ohms			
Frekvenčni razpon	60-20,000Hz	55-20,000Hz	45-20,000Hz	40-20,000Hz
Baterija	12V/2.3A	12V/4.5A	12V/4.5A	12V/7.2A
Bluetooth frekvenca	2402-2480MHz			
BT max. RF power	-2.32dBm			
Frekvenca ročnega VHF mikrofona	207.5MHz	207.5MHz	207.5MHz	207.5MHz
Frekvenca naglavnega VHF mikrofona			203.5MHz	203.5MHz
Max. RF power	0.79dBm	0.79dBm	0.79dBm	0.79dBm
Napajanje	15V= 4A		220-240V~ / 50-60Hz	
Dimenzije	330x310x490mm	370x360x525mm	400x375x620mm	485x445x728mm
Teža	9.2kg	10.5kg	15kg	19.8kg

Pravilno odstranjevanje tega izdelka

Ta oznaka pomeni, da se ta izdelek ne sme odlagati z drugimi gospodinjskimi odpadki po vsej EU. Da bi preprečili morebitno škodo za okolje ali zdravje ljudi zaradi nenaadzorovanega odlaganja odpadkov, ga odgovorno reciklirajte, da bi spodbujali trajnostno ponovno uporabo materialnih virov. Če želite vrniti uporabljeno napravo, uporabite sistem za vračilo in zbiranje ali se obrnite na trgovca na drobno, kjer je bil izdelek kupljen. Lahko sprejme ta izdelek za okolju varno recikliranje.

DIFFUSORI PORTATILI AUTONOMI

CON USB - BLUETOOTH - TELECOMANDO
MICROFONI CON CAVO E VHF

IT 

MANUALE DI ISTRUZIONI

IMPORTANTI ISTRUZIONI DI SICUREZZA E AVVERTENZE SUI PERICOLI

- PSi prega di leggere attentamente il manuale e di conservarlo per riferimenti futuri.
- Tutte le istruzioni e le avvertenze di sicurezza devono essere rispettate. Fanno parte del manuale e devono essere conservati con il manuale.
- Qualsiasi richiesta di garanzia viene invalidata se il danno si verifica a causa della mancata osservanza di queste istruzioni operative. Non ci assumiamo alcuna responsabilità per eventuali danni conseguenti.
- Non ci assumiamo alcuna responsabilità per lesioni personali o danni alla proprietà causati da uso improprio o mancata osservanza delle istruzioni di sicurezza. Eventuali richieste di garanzia scadono in questi casi.
- Le conversioni e / o le modifiche non autorizzate dell'apparecchio non sono consentite per motivi di sicurezza e di licenza (CE).
- L'apparecchio è approvato per il funzionamento solo in ambienti chiusi e asciutti. Non utilizzare il dispositivo vicino all'acqua, ad esempio nei bagni o nelle piscine vicine.
- L'apparecchio non deve essere esposto a temperature estreme ($< + 5 \text{ }^\circ\text{C} / > + 35 \text{ }^\circ\text{C}$) durante il funzionamento.
- L'apparecchio potrebbe non essere soggetto a forti vibrazioni o a forti sollecitazioni meccaniche.
- L'apparecchio non deve essere esposto a umidità eccessiva (ad esempio per gocciolamento o acqua spruzzata).
- Non posizionare recipienti pieni di liquidi, come bicchieri o vasi, sopra o direttamente accanto all'apparecchio. Potrebbero cadere, causando l'ingresso di acqua nell'apparecchio. Non versare mai liquidi sopra l'apparecchio. Non posizionare oggetti piccoli, come monete o graffette, sull'apparecchio poiché potrebbero cadere all'interno dell'apparecchio. Rischiate di causare un incendio o una elettrocuzione potenzialmente letale! Se tuttavia liquidi o oggetti penetrano nell'apparecchio, staccare immediatamente la spina dalla presa e contattare uno specialista
- Estrarre la spina dalla presa solo dalla superficie di presa prevista. Non tirarlo per il cavo.
- Non collegare mai la spina di alimentazione con mani umide o bagnate.
- Estrarre sempre la spina dalla presa di corrente:
 - o Prima di pulire l'apparecchio
 - o Se c'è un temporale
 - o Se non si utilizza l'apparecchio per un lungo periodo di tempo (> 1 settimana)
- Gli apparecchi elettrici devono essere tenuti fuori dalla portata dei bambini. Prestare particolare attenzione se i bambini sono presenti. I bambini non sono consapevoli dei rischi legati alla consegna impropria di apparecchi elettrici. I bambini potrebbero tentare di colpire oggetti nell'apparecchio. Vi è un pericolo di morte per folgorazione.
- Non lasciare l'apparecchio incustodito mentre lo si usa.
- Non posizionare mai l'apparecchio su una superficie instabile o mobile. Le persone potrebbero essere ferite o l'apparecchio danneggiato a causa della caduta.
- Quando si utilizza un rack, assicurarsi che sia in una posizione stabile e che sia trasportato in modo sicuro. L'installazione su superfici irregolari o inclinate o l'interruzione brusca del rack durante il trasporto può comportare il ribaltamento del rack o la caduta di apparecchi dal rack o il ferimento di persone.
- I componenti attivi possono essere esposti aprendo i coperchi o rimuovendo i componenti (a meno che ciò non possa essere fatto senza strumenti). I punti di contatto possono anche essere in diretta. Se l'apparecchio deve essere aperto per calibrare, riparare, riparare o sostituire componenti o gruppi, tutti i suoi poli devono essere prima scollegati da tutte le fonti di tensione. Se l'apparecchio deve essere tenuto aperto e sotto tensione durante la manutenzione o le riparazioni, questo lavoro può essere eseguito solo da uno specialista che abbia familiarità con i rischi e le normative pertinenti.
- Non collegare mai l'apparecchio direttamente dopo averlo trasferito da una stanza fredda a una calda. L'acqua di condensa che si forma potrebbe distruggere l'apparecchio o provocare una scarica elettrica. Consentire al dispositivo di raggiungere la temperatura ambiente prima di collegarlo. Attendere fino a quando l'acqua di condensa è evaporata. Questo può richiedere alcune ore.

- Non posizionare fiamme libere come quelle delle candele accese sopra o accanto all'apparecchio.
- Non posizionare l'apparecchio su superfici morbide come tappeti o letti. Non coprire le prese d'aria dell'apparecchio. Non ostruire la circolazione dell'aria con oggetti quali riviste, tovaglie o tende. Ciò impedisce la dissipazione di calore dall'apparecchio e può provocare il surriscaldamento.
- Utilizzare l'apparecchio solo in un clima moderato, non in ambienti tropicali.
- Tutte le persone coinvolte nel funzionamento, nell'installazione e nella manutenzione dell'apparecchio e durante la sua messa in servizio devono essere addestrate e qualificate e osservare le presenti istruzioni operative.
- I cavi di alimentazione difettosi possono essere sostituiti solo da specialisti. Pericolo di scossa elettrica!
- Non lasciare il materiale di imballaggio in giro con noncuranza in quanto può diventare una fonte di pericolo per i bambini che giocano con esso.
- Le norme di prevenzione degli infortuni e le normative dell'associazione di assicurazione della responsabilità civile dei datori di lavoro devono essere osservate presso le istituzioni commerciali.
- Se non si è sicuri della connessione corretta o se sorgono problemi a cui le istruzioni per l'uso non rispondono, non esitate a contattare l'assistenza o uno specialista di vostra scelta. Consultare uno specialista se si è in dubbio il principio di funzionamento o la sicurezza del prodotto



Restrizioni d'uso

- Questo prodotto utilizza un sistema di trasmissione VHF destinato esclusivamente all'uso professionale.
- Può essere utilizzato solo in alcuni paesi dell'Unione Europea (FR - BE - PT - D - NL - LU - GR - SP - RO - IT).

ALIMENTAZIONE: FUNZIONAMENTO BATTERIA E CC

Batteria ricaricabile incorporata e alimentazione CC. Prima di utilizzare questo sistema per la prima volta, inserire il cavo CC nell'adattatore per presa CC del lettore e collegare l'altra estremità a un'apposita presa a muro. Assicurarsi che l'"INDICATORE DI CARICA" sia acceso ininterrottamente per 14 ore.

PORT8VHF-BT & PORT10VHF-BT: Inserire l'adattatore di rete in dotazione nella presa di ingresso CC (33) e l'altra estremità in un'apposita presa a muro.

PORT12VHF-BT & PORT15VHF-BT: Inserire il cavo CA nella presa CA (33) sul pannello posteriore e l'altra estremità in una presa a muro adeguata.

Si prega di caricare la batteria quando l'indicatore LED (31) si illumina in rosso. Durante il processo di ricarica, l'indicatore LED si illumina in arancione. Si illumina in verde quando la batteria è completamente carica.

NOTA: si prega di spegnere l'interruttore di alimentazione dopo aver finito di usare il sistema.

NOTA IMPORTANTE SULLE BATTERIE

- 1. PRIMA di utilizzare l'unità per la prima volta, caricare completamente la batteria senza interruzioni.**
- 2. Caricare la batteria regolarmente dopo ogni utilizzo. Non aspettare che si scarichi!**
- 3. NON permettere che la batteria si scarichi completamente! Quando la batteria è completamente scarica, lo scarico di corrente per la ricarica sarà così alto che danneggerà il caricabatterie e / o l'alimentazione dell'unità.**
- 4. Se non si utilizza l'unità per un periodo di tempo più lungo, si prega di CARICARE COMPLETAMENTE LA BATTERIA AL 100% e di controllarla / caricarla una volta al mese, altrimenti la batteria sarà fuori uso.**

La durata della batteria dipende dall'osservanza di queste raccomandazioni.

**** LE BATTERIE NON SONO COPERTE DALLA GARANZIA ****

Non possiamo essere ritenuti responsabili per le batterie danneggiate oltre alla non osservanza di queste regole di base.

SOLAMENTE PORT12VHF-BT & PORT15VHF-B

Questi modelli dispongono di un ingresso DC (28) sul pannello posteriore che consente all'utente di alimentare l'unità tramite una batteria esterna o una presa accendisigari nel caso in cui non sia presente l'alimentazione di rete e la batteria integrata sia scarica o insufficientemente carica. Questo ingresso **non consente di caricare la batteria integrata**.

DESCRIZIONE DEI COMANDI

NO	PORT8VHF-BT	PORT10VHF-BT	PORT12VHF-BT	PORT15VHF-BT
1			Ingresso USB	
2			Ingresso SD	
3			Display MP3	
4			Controlli MP3	
5			Selettore di ingresso	
6			Controllo del volume principale	
7			Controllo dei bassi	
8			Controllo degli acuti	
9			Controllo dell'eco del microfono	
10			Controllo del volume degli ingressi MIC cablati	
11			Controllo VCV	
12			Ingresso microfono 1/ chitarra	
13			Ingresso microfono 2	
14			Ingresso di linea	
15			Uscita su un mixer o amplificatore	
16			Ingresso iPod/MP3	
17			Volume del microfono VHF A	
18			indicatore RF canale A	
19				indicatore RF canale B
20			interruttore VHF di accensione e spegnimento	
21			Indicatore microfono VHF ON	
22				Volume del microfono VHF B
23			LED di associazione Bluetooth	
24				Connettore dell'antenna A.
25			Bluetooth On/Off/ volume control	
26			Pairing button	
27				Connettore dell'antenna B
28				Ingresso alimentazione DC
29			LED acceso	
30			Interruttore di alimentazione	
31			LED di carica	
32	Scomparto fusibili DC	Scomparto fusibili DC		Scomparto fusibili DC
33			Ingresso alimentazione di rete	
34			Portafusibili di rete AC	

PER GIOCARE MP3 / WMA MUSICA

1. Impostare la fonte di alimentazione su ON. L'indicatore LED (29) si illumina in verde.
2. Inserire una chiave USB (1) o una scheda SD (2) nell'apposito ingresso
3. Selezionare un titolo tramite i pulsanti « o » e premere ► || (4)

PER GIOCARE LINEA IN MUSICA

1. Inserire una spina RCA nelle prese LINE IN (14)
2. Se LINE non viene visualizzato per impostazione predefinita, premere il pulsante MODE (5) fino a quando viene visualizzato LINE.
3. Se si desidera cantare insieme alla musica, inserire un microfono cablato in MIC INPUT (12 o 13) o attivare la funzione microfonica wireless (20) e l'interruttore sul microfono wireless. Impostare il volume del microfono via cavo tramite il controllo MIC VOL (10). Imposta il volume del microfono wireless tramite il pulsante (17 o 22 (solo PORT10 e 12VHF-BT))
4. Regola il volume della sorgente Line tramite il controllo del volume principale (6)

PER USARE LA FUNZIONE VOX

Quando la funzione VOX è abilitata, il livello della musica diminuirà quando qualcuno parla in uno dei microfoni. Il livello della musica diventa normale quando l'utente interrompe la conversazione nel microfono.

Per attivare questa funzione, attivare l'interruttore VCV (11). Se si desidera disabilitare questa funzione, impostare questo interruttore su off.

FUNZIONE DI REGISTRAZIONE (REC)

1. Per avviare la funzione di registrazione, premere il tasto RECORD (4).
2. Un file viene creato sulla chiavetta USB o sulla scheda SD.
3. Per interrompere la registrazione, premere nuovamente il tasto RECORD.
4. Per ascoltare la tua registrazione, seleziona la traccia sulla scheda SD o sulla chiavetta USB.

Nota: è possibile registrare solo il suono del (i) microfono (i), nessun'altra fonte sonora.

PROCEDURA DI ABBINAMENTO BLUETOOTH PER PORT8VHF-BT

1. Premere il pulsante MODE (5) fino a quando viene visualizzato BLUETOOTH. La funzione BLUETOOTH è ora attivata.
2. Attivare la funzione Bluetooth sullo smartphone o su un altro tablet PC.
3. Il prodotto appare sotto il nome «IBIZA-PORT» e può essere collegato alla tua attrezzatura.
4. Ora ascolta la tua musica attraverso il sistema audio portatile. Regolare il volume utilizzando il pulsante Volume master (6).
5. Non impostare il volume del tuo smartphone o tablet PC troppo alto. Non superare $\frac{3}{4}$ del volume totale per evitare distorsioni.

PROCEDURA DI ABBINAMENTO BLUETOOTH PER PORT10 / 12 / 15VHF-BT

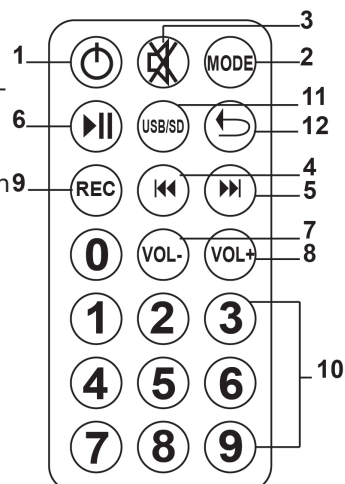
1. Attivare la funzione Bluetooth tramite la manopola (25). Il LED Bluetooth (23) si accenderà
2. Attiva la funzione di connessione Bluetooth del tuo dispositivo
3. Premere il pulsante ► || (26) finché il LED (23) non lampeggia
4. Seleziona IBIZA-PORT nell'elenco dei dispositivi trovati
5. Sei pronto per suonare la tua musica

COME USARE IL MICS VHF


Attivare la funzione VHF premendo l'interruttore VHF (20) in posizione ON. Accendi il microfono VHF tramite l'interruttore sul corpo del microfono. L'indicatore di segnale R.F.A (18) o R.F.B (19) si illuminerà quando la scatola riceve il segnale VHF dal microfono. Regolare il volume tramite i controlli del volume mic VHF (17 e / o 22 (solo PORT12 / 15VHF-BT)).

TELECOMANDA

1. Pulsante **ON / OFF**
2. **MODE:** premere fino a quando viene visualizzata la modalità operativa desiderata
3. **MUTE:** arresto del suono
4. **Riproduci / pausa ► || :** premere per riprodurre un brano, premere per mettere in pausa
5. **CH- / ◀ :** torna alla traccia precedente.
In modalità FM: torna alla stazione radio precedente
6. **CH + / ▶ :** passa alla traccia successiva.
In modalità FM: vai alla prossima stazione radio
7. **VOL-:** riduce il volume
8. **VOL +:** aumenta il volume
9. **REC:** selezionare tra ingresso USB e SD
10. **Tasti numerici:** premere il numero della traccia desiderata



RACCOMANDAZIONI PER BATTERIE

 Questo simbolo indica che le batterie usate non devono essere smaltite con i rifiuti domestici ma depositate in punti di raccolta separati per il riciclaggio.

ATTENZIONE

Pericolo di esplosione se la batteria non è posizionata correttamente.
Sostituire solo con lo stesso tipo o equivalente.

AVVERTIMENTO

Non ingerire la batteria. Pericolo di ustioni chimiche.

(Il telecomando in dotazione di) Questo prodotto contiene una cella pulsante. In caso di ingestione, potrebbe causare gravi ustioni interne in sole 2 ore che potrebbero portare alla morte.

Tenere le batterie nuove e vecchie fuori dalla portata dei bambini.

Se il vano batteria non si chiude correttamente, interrompere l'uso del prodotto e tenerlo lontano dalla portata dei bambini.


In caso di dubbi sul fatto che le batterie siano state ingerite o introdotte in qualsiasi altra parte del corpo, contattare immediatamente un medico.

CURA

Prima di pulire l'unità, scollegarla dalla rete. Non usare detergenti aggressivi. Utilizzare un panno pulito per rimuovere polvere o sporco dal prodotto. Non siamo responsabili per danni derivanti da uso improprio, uso improprio o usura. Ci riserviamo il diritto di apportare modifiche tecniche.

SPECIFICHE TECNICHE

	PORT8VHF-BT	PORT10VHF-BT	PORT12VHF-BT	PORT15VHF-BT
Woofers	8"/20cm	10"/25cm	12"/30cm	15"/38cm
Tweeter	1"/25mm compression driver			
Sensibilità	96dB±2dB	98dB±2dB	99dB±2dB	101dB±2dB
Max. SPL	105dB	107dB	109dB	115dB
Impedenza	4 Ohms			
Intervallo di frequenze	60-20,000Hz	55-20,000Hz	45-20,000Hz	40-20,000Hz
Batteria incorporata	12V/2.3A	12V/4.5A	12V/4.5A	12V/7.2A
Frequenza Bluetooth	2402-2480MHz			
Max. Potenza RF del Bluetooth	-2.32dBm			
Frequenza del microfono palmare VHF	207.5MHz	207.5MHz	207.5MHz	207.5MHz
Frequenza del microfono dell'auricolare VHF			203.5MHz	203.5MHz
Max. Potenza RF	0.79dBm	0.79dBm	0.79dBm	0.79dBm
Alimentazione elettrica	15V= 4A		220-240V~ / 50-60Hz	
Dimensioni	330x310x490mm	370x360x525mm	400x375x620mm	485x445x728mm
Peso	9.2kg	10.5kg	15kg	19.8kg


 Questo marchio indica che questo prodotto non deve essere smaltito con altri rifiuti domestici in tutta l'UE. Per evitare possibili danni all'ambiente o alla salute umana derivanti dallo smaltimento incontrollato dei rifiuti, riciclarlo responsabilmente per promuovere il riutilizzo sostenibile delle risorse materiali. Per restituire il dispositivo utilizzato, utilizzare i sistemi di restituzione e raccolta o contattare il rivenditore presso il quale è stato acquistato il prodotto. Possono prendere questo prodotto per il riciclaggio sicuro per l'ambiente.

SISTEME DE SUNET PORTABILE

CU USB, BLUETOOTH, TELECOMANDĂ, MICROFOANE FĂRĂ FIR VHF + CU FIR

MANUAL DE UTILIZARE

INSTRUCIUNI IMPORTANTE PRIVIND SIGURANTA SI AVERTISMENTE

- Cititi cu atentie manualul si pastrati-l pentru referinte ulterioare.
- Toate instructiunile de siguranta si avertismentele trebuie sa fie respectate. Acestea constituie parte a manualului si trebuie pastrate alaturi de manual.
- Orice reclamatii privind garantia vor fi anulate daca apar avarii datorate nerespectarii acestor instructiuni de utilizare. Nu ne asumam raspunderea pentru orice daune rezultate.
- Nu ne asumam raspunderea pentru vatamari corporale sau daune materiale provocate de o manipulare incorecta sau de nerespectarea instructiunilor de siguranta. Orice reclamatii privind garantia expira in astfel de cazuri.
- Transformari neautorizate si/sau modificari aduse aparatului nu sunt premise din motive de siguranta si de acordare a licentei (CE).
- Aparatul poate fi utilizat doar in interior , in incaperi uscate. Nu utilizati aparatul in apropierea unei surse de apa, cum ar fi in baie sau in apropierea unei piscine.
- Aparatul nu trebuie expus unor temperaturi extreme ($<+5^{\circ}\text{C}$ / $>+35^{\circ}\text{C}$) in stare de functionare).
- Aparatul nu trebuie supus unor vibratii puternice sau unui camp magnetic puternic.
- Aparatul nu trebuie expus umezelii excesive (rezultat al picaturilor de apa sau a pulverizarii, de exemplu).
- Nu asezati nici un recipient cu lichide, cum ar fi pahare sau vase, deasupra sau langa aparat. Acestea s-ar putea rasturna, provocand infiltrarea apei. Niciodata nu turnati lichide deasupra aparatului. Nu asezati obiecte mici, cum ar fi monede sau agrafe de birou, pe aparat, deoarece acestea ar putea cadea in interiorul aparatului. Sunteti expusi unui risc ridicat de a provoca un incendiu sau electrocutare punandu-va viata in pericol! Daca, cu toate acestea, orice lichid sau obiecte straine patrund in aparat, scoateti stecherul din priza imediat si contactati un specialist.
- Aparatul respecta clasa de protectie II (aparate cu dubla izolatie, fara pamantare).
- Scoateti stecherul din priza utilizand suprafata destinata prinderii. Nu trageți de cablu.
- Nu conectati sau deconectati stecherul avand mainile umede sau ude.
- Scoateti intotdeauna stecherul din priza:
 - inainte de curatarea aparatului
 - in cazul in care este o furtuna (descarcari electrice)
 - daca nu veti folosi aparatul o perioada lunga de timp (1 saptamana)
- Aparatura electrica nu trebuie lasata la indemana copiilor. Fiti deosebit de atenti atunci cand sunt si copiii prin preajma. Copiii nu sunt constienti de pericolele pe care le implica manuirea necorespunzatoare a aparatelor electrice. Copiii ar putea incerca sa arunce cu obiecte in aparat. Exista pericol de electrocutare.
- Nu lasati aparatul nesupravegheat in timpul functionarii.
- Nu asezati niciodata aparatul pe o suprafata instabila sau mobila. Acest lucru ar putea rani persoanele care se afla in apropiere sau aparatul s-ar putea strica in cazul in care cade.
- Cand se foloseste un stativ, asigurati-va ca este intr-o pozitie stabila si este transportat in siguranta. Instalare pe suprafete denivelate, inclinate sau oprirea brusca a stativului in timpul transportului pot duce la rasturnarea stativului sau dispozitivele pot sa cada de pe stativ si sa raneasca oameni.
- Componentele active pot fi expuse prin deschiderea capacului sau eliminarea componentelor (daca acest lucru poate fi facut fara instrumente). Punctele de contact pot fi, de asemenea, active. In cazul in care aparatul trebuie sa fie deschis in scopul calibrarii, efectuării intretinerii, repararea sau inlocuirea componentelor sau ansamblurilor de componente, intai trebuie sa fie deconectata alimentarea. In cazul in care aparatul trebuie sa fie tinut deschis si sub tensiune in timpul efectuării intretinerii sau reparatiilor, acest lucru poate fi efectuat numai de catre un specialist.
- Nu conectati niciodata aparatul direct dupa transferul de la o incapere rece intr-una caldă. Condensul care se formeaza ar putea distruge aparatul sau duce la un soc electric. Lasati aparatul sa ajunga la temperatura camerei inainte de a-l conecta. Asteptati pana cand condensul s-a evaporat. Acest lucru poate dura cateva ore.
- Nu asezati nici o sursa de foc deschis, cum ar fi lumanari pe sau langa aparat.
- Nu amplasati aparatul pe suprafete moi, cum ar fi covoare sau paturi. Nu acoperiti orificiile de ventilatie ale aparatului. Nu impiedicati circulatia aerului cu obiecte, cum ar fi reviste, fete de masa sau perdele. Acest lucru previne evacuarea caldurii de la aparat si poate duce la supraincalzirea acestuia.
- Utilizati aparatul numai intr-un climat moderat, nu in medii tropicale.
- Toate persoanele implicate in operarea, instalarea si intretinerea aparatului si punerea in functiune trebuie sa

fie instruiți și calificați în mod corespunzător și trebuie să respectați aceste instrucțiuni de funcționare.

- Cablurile de rețea defecte pot fi înlocuite doar de către specialiști. Pericol de soc electric!
- Nu lăsați materialul de la ambalaj împrăștiat peste tot, deoarece aceasta poate deveni o sursă de pericol pentru copiii care se joacă cu el.
- Legile de prevenire a accidentelor și regulamentele asociației angajatorilor privind asigurarea de răspundere ar trebui să fie observate la instituțiile comerciale.
- Dacă nu sunteți siguri în privința conexiunii sau dacă apar întrebări care nu-și găsesc răspuns în instrucțiunile de funcționare, nu ezitați să contactați serviciul de asistență sau un specialist.

Restricții de utilizare

Acest produs folosește un sistem de transmisie VHF destinat numai utilizării profesionale.

Poate fi utilizat numai în unele țări ale Uniunii Europene (FR - BE - PT - D - NL - LU - GR - SP - RO).



ALIMENTARE: BATERIE & FUNCȚIONARE DC

Acumulatorul incorporat și sursa de încărcare de la rețeaua de alimentare AC. Înainte de utilizarea acestui sistem pentru prima dată, introduceți sonda AC în mufa AC a player-ului și conectați celălalt capăt la o priză de perete corespunzătoare. Asigurați-vă că "INDICATORUL DE ÎNCĂRCARE" este PORNIT 14 h neîntrerupt.

PORT8VHF-BT & PORT10VHF-BT: Introduceți adaptorul de alimentare furnizat în priză de intrare DC (33), iar celălalt capăt într-o priză de perete adecvată.

PORT12VHF-BT & PORT15VHF-BT: Introduceți cablul de curent alternativ în mufa de alimentare (33) de pe panoul din spate și celălalt capăt într-o priză de perete adecvată.

Încărcați bateria când indicatorul LED (31) se aprinde în roșu. În timpul procesului de încărcare, indicatorul LED se aprinde în portocaliu. Se aprinde verde când bateria este complet încărcată.

NOTA: Va rugăm să opriți comutatorul de alimentare după ce ați terminat de utilizat sistemul

ATENȚIONARE: PRODUSE CARE CONȚIN BATERII

1. **ÎNAINTE** de a utiliza aparatul pentru prima dată, vă rugăm încărcați complet bateria **fără nicio întrerupere**.
2. Încărcați bateria în mod regulat după fiecare utilizare. **Nu așteptați până când este descărcată!**
3. **NU** permiteți ca bateria să se descarce complet! Odată ce bateria este descărcată complet, curentul absorbit pentru reîncărcare va fi așa mare încât va deteriora încărcătorul și/sau sursa de alimentare a unității.
4. Dacă nu utilizați produsul o perioadă mai lungă de timp, vă rugăm **ÎNCĂRCAȚI BATERIA COMPLET LA 100%** și verificați/încărcați bateria o dată pe lună, în caz contrar bateria nu va mai putea fi utilizată.

O tempo de vida útil da bateria depende da observância destas recomendações.

**** BATERIILE NU SUNT ACOPERITE DE GARANȚIE ****

Nu suntem responsabili pentru deteriorarea bateriilor în urma nerespectării acestor reguli de bază.

PORT12VHF-BT & PORT15VHF-BT ONLY

Aceste modele au o intrare de curent continuu (28) pe panoul din spate, care permite utilizatorului să alimenteze unitatea printr-o baterie externă sau o priză pentru brichetă auto, în cazul în care nu există alimentare la rețea la îndemână și bateria încorporată este epuizată sau insuficientă taxat. Această intrare nu permite încărcarea bateriei încorporate.

NO	PORT8VHF-BT	PORT10VHF-BT	PORT12VHF-BT	PORT15VHF-BT
1			Intrare USB	
2			Slot card SD	
3			Afisaj MP3	
4			Comenzi MP3	
5			Comutator selectare intrare	
6			Control principal volum	
7			Control bass	
8			Control sunete inalte	
9			Control ecou	
10			Control volum pentru intrarile microfoanelor cu fir	
11			Comutator pornire / oprire cu comanda vocala (VOX)	
12			Intrare pentru microfon 1 sau chitara	
13			. Intrare pentru microfon 2	
14			Intrare nivel de linie	
15			iesire pentru mixer sau amplificator	
16			Conector intrare iPod/MP3	
17			Control volum microfoane VHF A	
18			Indicator semnal canal A	
19				Indicator semnal canal B
20			Comutator PORNIRE / OPRIRE VHF	
21			LED martor pornire VHF	
22				Control volum microfoane VHF B
23			LED martor conectare bluetooth rosu si albastru	
24				Conector antena A
25			Bluetooth Pornit / Oprit / control volum	
26			Butonul pentru imperechere bluetooth	
27				Conector antena B
28				DC power supply input
29			LED martor pornire	
30			Comutator PORNIRE / OPRIRE	
31			Indicator de incarcare	
32		Compartiment sigurante DC		Compartiment sigurante DC
33				Intrare alimentare retea
34				Compartiment sigurante AC

REDARE U-DISK MP3/WMA

1. Puneți sursa de alimentare pe ON. Indicatorul LED (29) se aprinde în verde.
2. Introduceți un stick USB (1) sau un card SD (2) în intrarea relevantă
3. Selectați USB prin intermediul butonului MODE (5)
4. Selectați un titlu prin intermediul butoanelor ►► sau ◀◀ și apăsați ►|| (4)

REDAREA MUZICII

1. Introduceți o fisa RCA in mufa LINE IN (14)
2. Dacă LINE nu este afișat în mod implicit, apăsați butonul MODE (5) până când LINE este afișat.
3. Dacă doriți să cântați împreună cu muzica, introduceți un microfon cu fir în MIC INPUT (12 sau 13) sau porniți funcția mic wireless (20) și comutatorul microfonului fără fir. Setări volumul micului cablu prin intermediul butonului MIC VOL (10). Setări volumul microfonului wireless prin butonul (17 sau 22 (numai PORT10 & 12VHF-BT))
4. Reglari BASS (7), INALTE (8), ECOU (9), MASTER VOL (6)

FOLOSIREA FUNCȚIEI VOX

Atunci când funcția VOX este activată, nivelul de muzică va scădea atunci când unul din microfoane este utilizat. Nivelul muzical devine normal, atunci când utilizatorul nu va mai folosi microfonul.

Pentru a activa această funcție, poziționați comutatorul VCV (11) pe poziția pornit. Dacă doriți să dezactivați această funcție, setați acest comutator în poziția OPRIT.

FUNCȚIA DE ÎNREGISTRARE (REC)

1. Pentru a porni funcția de înregistrare, apăsați butonul RECORD (4).
2. Se creează un fișier pe stickul USB sau pe cardul SD.
3. Pentru a opri înregistrarea, apăsați din nou butonul RECORD.
4. Pentru a asculta înregistrarea, selectați piesa de pe cardul SD sau stick-ul USB.

Notă: Numai sunetul microfonului (microfoanelor) poate fi înregistrat, fără altă sursă de sunet.

PROCEDURA BLUETOOTH PAIRING PORT8VHF-BT

1. Apăsați butonul MODE (5) până când se afișează BLUETOOTH. Funcția BLUETOOTH este activată acum.
2. Activați funcția Bluetooth pe telefonul smartphone sau pe un alt tablet PC.
3. Produsul apare sub denumirea «IBIZA-PORT» și poate fi conectat la echipamentul dvs.
4. Acum redați muzica prin sistemul de sunet portabil. Reglați volumul utilizând butonul de volum principal (6).
5. Nu setați volumul prea mare al telefonului dvs. smartphone sau tablet PC. Nu depășiți $\frac{3}{4}$ din volumul total pentru a evita denaturarea.

PROCEDURA BLUETOOTH PAIRING PORT 10/12/15VHF-BT

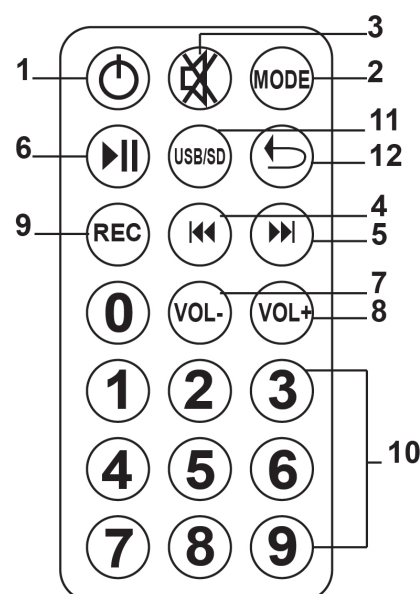
1. Porniți funcția Bluetooth prin intermediul butonului rotativ (25). LED-ul Bluetooth (23) se va aprinde
2. Activați funcția de conectare Bluetooth a dispozitivului
3. Apăsați butonul ► || (26) până când LED-ul (23) clipește
4. Selectați IBIZA-PORT din lista dispozitivelor găsite
5. Sunteți gata să vă redați muzica

UTILIZAREA MICROFONELOR VHF

Activați funcția VHF apăsând comutatorul VHF (20) în poziția PORNIT. Porniți microfonul VHF prin intermediul comutatorului de pe carcasa microfonului. Indicatorul de semnal RF.A (18) sau RF.B (19) se va aprinde când cutia recepționează semnalul VHF de la microfon. Reglați volumul prin comenzile de volum mic pentru VHF (17 și / sau 22 (numai PORT12 / 15VHF-BT)).

TELECEOMANDA

1. **Butonul ON / OFF**
2. **MODE:** Apăsați până când este afișat modul de funcționare dorit
3. **MUTE:** Oprirea sunetului
4. **⏪ / CH-:** reveniți la piesa anterioară.
În modul FM: înapoi la stația radio anterioară
5. **⏩ / CH +:** Mergeți la piesa următoare.
În modul FM: Mergeți la postul de radio următor
6. **▶ || Redare / pauză:** Apăsați pentru a reda o piesă, apăsați pentru a întrerupe
7. **VOL-:** Reduceți volumul
8. **Vol +:** Măriți volumul
9. **REC:** Apăsați pentru a porni și a opri o înregistrare
10. **Butoane numerice:** Apăsați numărul piesei dorite



RECOMANDĂRI PENTRU BATERII

Acest simbol indică faptul că bateriile uzate nu trebuie aruncate împreună cu deșeurile menajere, ci depozitate în puncte separate de colectare pentru reciclare.

ATENȚIE

Pericol de explozie dacă bateria este înlocuită incorect.

Înlocuiți doar cu același tip sau cu un tip echivalent.

AVERTISMENT

Nu înghițiți bateria. Pericol de arsuri chimice.

(Telecomanda furnizată de) Acest produs conține o baterie tip buton. În caz de înghițire, ar putea produce arsuri interne grave în doar 2 ore care ar putea duce la moarte.

Păstrați bateriile noi și vechi departe de a ajunge copiii la acestea.

Dacă compartimentul pentru baterii nu se închide corect, nu mai utilizați produsul și păstrați-l departe de a ajunge copiii la acesta.

Dacă nu sunteți sigur dacă bateria a fost înghițită sau introdusă în orice altă parte

CURĂȚENIE

Înainte de a curăța unitatea, deconectați-l de la rețea. Nu utilizați agenți de curățare agresivi. Utilizați o cârpă curată pentru a șterge praful sau murdăria din produs. Nu suntem răspunzători pentru daunele rezultate din manipularea incorectă, utilizarea necorespunzătoare sau uzura. Ne rezervăm dreptul de a face modificări tehnice.

SPECIFICATII

	PORT8VHF-BT	PORT10VHF-BT	PORT12VHF-BT	PORT15VHF-BT
Woofers	8"/20cm	10"/25cm	12"/30cm	15"/38cm
Tweeter	1"/25mm compression driver			
Sensibilitate	96dB±2dB	98dB±2dB	99dB±2dB	101dB±2dB
Max. SPL	105dB	107dB	109dB	115dB
Impedanta	4 Ohms			
Raspuns in frecventa	60-20,000Hz	55-20,000Hz	45-20,000Hz	40-20,000Hz
Baterie încorporată	12V/2.3A	12V/4.5A	12V/4.5A	12V/7.2A
Frecvența Bluetooth	2402-2480MHz			
Puterea max. RF BT	-2.32dBm			
Frecvența VHF a microfonului de mână	207.5MHz	207.5MHz	207.5MHz	207.5MHz
Frecvența VHF a microfonului headset			203.5MHz	203.5MHz
Puterea RF maximă a microfonului de mână	0.79dBm	0.79dBm	0.79dBm	0.79dBm
Puterea RF maximă a microfonului de headset	2.66dBm			
Alimentare electrică	15V= 4A		220-240V~/ 50-60Hz	
Dimensiuni	330x310x490mm	370x360x525mm	400x375x620mm	485x445x728mm
Greutate	9.2kg	10.5kg	15kg	19.8kg

Eliminarea corectă a acestui produs



Acest marcaj indică faptul că produsul nu trebuie aruncat împreună cu deșeurile menajere, în întreaga UE. Pentru a preveni posibilele daune asupra mediului sau sănătății cauzate de eliminarea necontrolată a deșeurilor, reciclați dispozitivul în mod responsabil pentru a promova reutilizarea durabilă a resurselor materiale. Pentru a returna dispozitivul utilizat, vă rugăm să utilizați sistemele de returnare sau colectare sau contactați distribuitorul dumneavoastră

PRENOSNI SUSTAVI PA

S USB-OM, BLUETOOTH-OM, DALJINSKIM UPRAVLJANJEM & VHF + ŽIČANIM MIKROFONIMA

UPUTE ZA UPORABU

VAŽNE SIGURNOSNE UPUTE I UPOZORENJA NA OPASNOST

- Molimo pažljivo pročitajte priručnik i sačuvajte ga za buduću upotrebu.
- Moraju se poštivati sve sigurnosne upute i upozorenja. Oni su dio priručnika i moraju se čuvati uz priručnik.
- Svi jamstveni zahtjevi postaju nevaljani ako dođe do oštećenja zbog nepridržavanja ovih uputa za uporabu. Ne preuzimamo odgovornost za bilo kakvu posljedičnu štetu.
- Ne preuzimamo nikakvu odgovornost za osobne ozljede ili materijalnu štetu uzrokovanu nepravilnim rukovanjem ili nepridržavanjem sigurnosnih uputa. Bilo koji zahtjev za jamstvom istječe u takvim slučajevima.
- Neovlaštene preinake i / ili preinake uređaja nisu dopuštene iz sigurnosnih razloga i razloga licenciranja (CE).
- Uređaj je odobren za rad samo u suhim, zatvorenim sobama. Ne upotrebljavajte uređaj u blizini vode, na primjer u kupao-nicama ili obližnjim bazenima.
- Uređaj tijekom rada ne smije biti izložen ekstremnim temperaturama (<+ 5 ° C /> + 35 ° C).
- Uređaj ne smije biti izložen jakim vibracijama ili teškim mehaničkim naprezanjima.
- Uređaj ne smije biti izložen prekomjernoj vlazi (na primjer zbog kapanja ili prskanja vode).
- Ne stavljajte primatelje napunjene tekućinom, poput čaša ili vaza, na vrh ili neposredno uz uređaj. Mogli bi pasti, uzrokujući da voda uđe u uređaj. Nikada nemojte izljevati tekućine iznad uređaja. Ne stavljajte na uređaj male predmete, poput novčića ili spajalica, jer bi mogli pasti unutar uređaja. Rizikujete rizik od požara ili po život opasnog strujnog udara! Ako u uređaj ipak uđe tekućina ili predmeti, odmah izvucite mrežni utikač iz utičnice i obratite se stručnjaku.
- Uvijek izvucite mrežni utikač iz mrežne utičnice:
- Prije čišćenja uređaja
- Ako bude grmljavine
- Ako aparat nećete koristiti dulje vrijeme (> 1 tjedan)
- Nemojte ostavljati uređaj bez nadzora tijekom rada.
- Uređaj nikada ne postavljajte na nestabilnu ili pokretnu površinu. Osobe bi mogle biti ozlijeđene ili aparat oštećen padom.
- Kada koristite stalak, provjerite je li u stabilnom položaju i je li sigurno prevezen. Instalacija na neravnim, kosim površinama ili naglo zaustavljanje nosača tijekom transporta može rezultirati prevrtanjem stalka ili padom uređaja s postolja ili van njega i ozljedama ljudi.
- Komponente pod naponom mogu se otvoriti otvaranjem poklopaca ili uklanjanjem komponenata (osim ako se to ne može učiniti bez alata). Kontakt točke također mogu biti uživo. Ako se aparat mora otvoriti radi kalibracije, servisiranja, popravljivanja ili zamjene dijelova ili sklopova, svi njegovi polovi moraju se prvo odvojiti od svih izvora napona. Ako aparat tijekom održavanja ili popravaka mora biti otvoren i pod naponom, ovaj posao smije izvoditi samo stručnjak koji je upoznat s rizicima i relevantnim propisima.
- Uređaj nikada nemojte spajati izravno nakon što ga prebacite iz hladne u toplu sobu. Kondenzirana voda koja stvara može uništiti uređaj ili rezultirati električnim udarom. Ostavite uređaj da dosegne sobnu temperaturu prije nego što ga povežete. Pričekajte dok kondenzacijska voda ne ispari. To može potrajati nekoliko sati.
- Ne stavljajte otvoreni plamen poput zapaljenih svijeća na uređaj ili pored njega.
- Uređaj nemojte postavljati na mekane površine poput tepiha ili kreveta. Ne prekrivajte otvore za zrak na uređaju. Ne ometajte cirkulaciju zraka predmetima poput magazina, stolnjaka ili zavjesa. To sprječava odvođenje topline iz uređaja i može rezultirati pregrijavanjem.
- Uređaj koristite samo u umjerenj klimi, a ne u tropskom okruženju.
- Sve osobe uključene u rad, ugradnju i servisiranje uređaja i njegovo puštanje u rad moraju biti u skladu s tim obučene i kvalificirane te pridržavati se ovih uputa za uporabu.
- Neispravne mrežne kabele mogu zamijeniti samo stručnjaci. Opasnost od šoka!

Ograničenja upotrebe

Ovaj proizvod koristi VHF prijenosni sustav koji je namijenjen samo profesionalnoj upotrebi.

Može se koristiti samo u nekim zemljama Europske unije (F - B - P - D - NL - L - GR - E - RO).

NAPAJANJE: BATERIJA I GLAVNA NAPAJANJA

Ugrađena punjiva baterija i izmjenični napon. Prije prve uporabe ovog sustava, umetnite kabel za naizmjeničnu struju u AC utičnicu uređaja, a drugi kraj priključite na odgovarajuću zidnu utičnicu. Provjerite je li indikator punjenja neprekidno UKL-

JUČEN 14 sati.

PORT8VHF-BT & PORT10VHF-BT: Uključite isporučeni mrežni adapter u istosmjernu utičnicu (33), a drugi kraj u odgovarajuću zidnu utičnicu.

PORT12VHF-BT & PORT15VHF-BT: Umetnite AC kabel u utičnicu za naizmjeničnu struju (33) na stražnjoj ploči, a drugi kraj u odgovarajuću zidnu utičnicu.

Napunite bateriju kada LED indikator (31) svijetli crveno. Tijekom postupka punjenja LED indikator svijetli narančasto. Svijetli zeleno kad je baterija potpuno napunjena.

NAPOMENA: Isključite prekidač napajanja nakon što završite s korištenjem sustava.

VAŽNA NAPOMENA O BATERIJAMA

1. PRIJE PRVE UPORABE UREĐAJA, napunite bateriju do kraja bez ikakvih prekida.
2. Redovito punite bateriju nakon svake uporabe. Ne čekajte dok se ne isprazni!
3. NEMOJTE dopustiti da se baterija potpuno isprazni! Nakon što se baterija potpuno isprazni, trenutni praznik za punjenje bit će toliko visok da će oštetiti punjač i / ili napajanje jedinice.
4. Ako jedinicu ne upotrebljavate dulje vrijeme, PUNJITE BATERIJU POTPUNO 100% i provjerite / napunite je jednom mjesečno, inače će baterija biti istrošena. Životni vijek baterije ovisi o poštivanju ovih preporuka.

**** JAMSTVO NE POKRIVA BATERIJE ****

NE MOŽEMO BITI ODGOVORNI ZA OŠTEĆENE BATERIJE ZBOG NEPOŠTIVANJA OVIH OSNOVNIH PRAVILA.

SAMO PORT12VHF-BT & PORT15VHF-BT

Ovi modeli imaju DC ulaz (28) na stražnjoj ploči koji korisniku omogućuje napajanje jedinice putem vanjske baterije ili utičnice upaljača za automobil u slučaju da pri ruci nema mrežnog napajanja, a ugrađena baterija isprazni ili je nedovoljno naplaćeno. Ovaj ulaz ne dopušta punjenje ugrađene baterije.

NE	PORT8VHF-BT	PORT10VHF-BT	PORT12VHF-BT	PORT15VHF-BT
1			USB ulaz	
2			Utor za SD karticu	
3			MP3 zaslona	
4			MP3 kontrole	
5			Birač ulaza sklopka	
6			Glavna kontrola glasnoće	
7			Kontrola basova	
8			Kontrola visokih tonova	
9			Kontrola jeke	
10			Žičani MIC za kontrolu glasnoće ulazi	
11			Prekidač za uključivanje / isključivanje glasovne kontrole (VOX)	
12			Ulaz za žičani mikrofon 1 ili gitaru	
13			Ulaz za žičani mikrofon 2	
14			Ulaz na razini linije	
15			Izlaz na mikser ili pojačalo	
16			iPod / MP3 ulazni priključak	
17			Regulacija glasnoće VHF mikrofon A	
18			Kanal indikatora signala A	
19			Kanal indikatora signala B	
20			VHF prekidač za uključivanje / isključivanje	
21			VHF LED za napajanje	
22			Regulacija glasnoće VHF mikrofon B	
23			LED za uparivanje Bluetooth-a crveni & plava	
24			Konektor antene A	
25			Bluetooth Uključivanje / isključivanje / kontrola glasnoće	

26			Uparivanje dugme	
27			Konektor antene B	
28			Ulaz istosmjernog napajanja	
29			LED za napajanje	
30			Prekidač ON / OFF	
31			Naplatiti indikator	
32	Odjeljak s istosmjernim osiguračima	Odjeljak s istosmjernim osiguračima		Odjeljak s istosmjernim osiguračima
33			Mrežni ulaz	
34			Odjeljak s osiguračima za AC	

IGRAJ MP3 / WMA GLAZBU

1. Uključite izvor napajanja. LED indikator (29) svijetli zeleno.
2. U odgovarajući ulaz umetnite USB stick (1) ili SD karticu (2)
3. Odaberite USB putem gumba MODE (5)
4. Odaberite naslov pomoću gumba ◀ ili ▶ i pritisnite ▶ || (4)

ZA IGRANJE LINIJE U GLAZBI

1. Umetnite RCA utikač u utičnice LINE IN (14)
2. Ako se LINE prema zadanim postavkama ne prikazuje, pritisnite tipku MODE (5) dok se ne prikaže LINE.
3. Ako želite pjevati uz glazbu, umetnite žičani mikrofona u MIC INPUT (12 ili 13) ili uključite funkciju bežičnog mikrofona (20) i prekidač na bežičnom mikrofona. Podesite glasnoću žičanog mikrofona putem kontrolera MIC VOL (10). Podesite glasnoću bežičnog mikrofona pomoću gumba (17 ili 22 (samo PORT10 & 12VHF-BT))
4. Podesite kontrolu glasnoće (6) linijskog izvora.

FUNKCIJA VOX-a

Kad je omogućena funkcija VOX, razina glazbe smanjit će se kada netko razgovara u jedan od mikrofona. Razina glazbe postaje normalna kada korisnik prestane razgovarati u mikrofona.

Da biste aktivirali ovu funkciju, uključite prekidač VCV (11). Ako želite onemogućiti ovu funkciju, postavite ovaj prekidač u položaj isključeno

FUNKCIJA SNIMANJA (REC)

Da biste pokrenuli funkciju snimanja, pritisnite tipku RECORD (4).

Datoteka se stvara na vašem USB sticku ili SD kartici.

Za zaustavljanje snimanja ponovno pritisnite tipku RECORD.

Da biste preslušali svoju ploču, odaberite pjesmu na SD kartici ili USB sticku.

Napomena: Može se snimati samo zvuk mikrofona, a nema drugog izvora zvuka.

BLUETOOTH POSTUPAK UPARAVANJA ZA PORT8VHF-BT

1. Pritisnite tipku MODE (5) dok se ne prikaže BLUETOOTH. Sada je aktivirana funkcija BLUETOOTH.
2. Aktivirajte Bluetooth funkciju na pametnom telefonu ili drugom tablet računalu.
3. Proizvod se pojavljuje pod nazivom «IBIZA-PORT» i može se povezati s vašom opremom.
4. Reproducirajte svoju glazbu putem prijenosnog zvučnog sustava. Prilagodite glasnoću tipkom za glavnu glasnoću (6).
5. Ne postavljajte preglasnu glasnoću pametnog telefona ili tablet računala. Ne prelazite ¼ ukupne zapremine kako biste izbjegli izobličenja.

BLUETOOTH POSTUPAK UPARAVANJA ZA PORT10/12 / 15VHF-BT

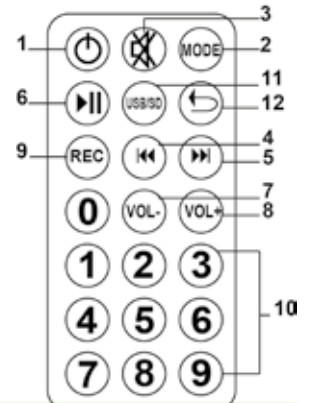
1. Uključite Bluetooth funkciju putem okretnog gumba (25). Svijetlit će Bluetooth LED (23)
2. Aktivirajte funkciju Bluetooth povezivanja na uređaju
3. Pritisnite tipku ▶ || (26) dok LED (23) ne trepće
4. Odaberite IBIZA-PORT na popisu pronađenih uređaja
5. Spremni ste za puštanje vaše glazbe

KORIŠTENJE VHF MICS-a

Aktivirajte VHF funkciju pritiskom na VHF prekidač (20) dolje u položaj ON. Uključite VHF mikrofona preko prekidača na kućištu mikrofona. Indikator R.F.A (18) ili R.F.B (19) zasvijetlit će kad kutija primi VHF signal od mikrofona. Podesite glasnoću pomoću VHF kontrola glasnoće mikrofona (17 i / ili 22 (samo PORT12 / 15VHF-BT)).

DALJINSKI UPRAVLJAČ

1. **Tipka ON/OFF**
2. **MODE:** Pritisnite dok se ne prikaže željeni način rada
3. **MUTE:** Zaustavljanje zvuka
4. **⏪/CH-:** povratak na prethodni zapis.
5. **⏩/CH+:** Prelazak na sljedeću pjesmu.
6. **▶ || Play/pause:** Reprodukcija / pauza: Pritisnite za reprodukciju pjesme, pritisnite za pauzu
7. **VOL-:** Smanjite glasnoću
8. **Vol+:** Povećajte glasnoću
9. **REC**
10. **Brojčani gumbi:** Pritisnite broj željene pjesme



PREPORUKE ZA BATERIJU U DALJINSKOM UPRAVLJANJU

Ovak simbol označava da se istrošene baterije ne smiju odlagati s kućnim otpadom već odlagati na odvojena sakupljačka mjesta za recikliranje.

PAŽNJA

Opasnost od eksplozije ako je baterija pogrešno postavljena. Zamijenite samo istim ili ekvivalentnim tipom.

UPOZORENJE

Nemojte gutati bateriju. Opasnost od kemijskih opekline.

Isporučeni daljinski upravljač sadrži ćeliju gumba. U slučaju gutanja, to bi moglo izazvati ozbiljne unutarnje opekline u roku od samo 2 sata koje bi mogle dovesti do smrti.

Držite nove i stare baterije izvan dohvata djece.

Ako se odjeljak za baterije ne zatvori pravilno, prestanite koristiti proizvod i držite ga izvan dohvata djece.

Ako sumnjate jesu li baterije progutane ili unesene u bilo koji drugi dio tijela, odmah se obratite liječniku.

NJEGA

Prije čišćenja jedinice odvojite je od električne mreže. Ne koristite agresivna sredstva za čišćenje. Čistom krpom obrišite svu prašinu ili prljavštinu s proizvoda. Ne odgovaramo za štetu nastalu nepravilnim rukovanjem, nepravilnom uporabom ili trošenjem. Zadržavamo pravo na tehničke promjene.

TEHNIČKI PODACI

	PORT8VHF-BT	PORT-10VHF-BT	PORT-12VHF-BT	PORT-15VHF-BT
Niskotonac	8"/20cm	10"/25cm	12"/30cm	15"/38cm
Visokotonac	1"/25mm compression driver			
Osjetljivost	96dB±2dB	98dB±2dB	99dB±2dB	101dB±2dB
Maks. SPL	105dB	107dB	109dB	115dB
Impedancija	4 Ohms			
Frekv. domet	60-20,000Hz	55-20,000Hz	45-20,000Hz	40-20,000Hz
Ugrađena baterija	12V/2.3Ah	12V/4.5Ah	12V/4.5Ah	12V/7.2Ah
Bluetooth frekvencija	2402-2480MHz			
BT maks. RF snaga	-2.32dBm			
VHF ručni mikrofon frekv.	207.5MHz	207.5MHz	207.5MHz	207.5MHz
VHF mikrofon za slušalice frekv.			203.5MHz	203.5MHz
Maks. RF ručni mikrofon	0.79dBm	0.79dBm	0.79dBm	0.79dBm
Maks. RF slušalice s mikrofonom	2.66dBm			
Napajanje	15V= 4A		220-240V~ / 50-60Hz	
Dimenzije	330x310x490mm	370x360x525mm	400x375x620mm	485x445x728mm
Težina	9.2kg	10.5kg	15kg	19.8kg

Ova oznaka označava da se ovaj proizvod ne smije odlagati s ostalim kućnim otpadom širom EU. Da biste spriječili moguću štetu okolišu ili ljudskom zdravlju nekontroliranim odlaganjem otpada, odgovorno ga reciklirajte kako biste promovirali održivu ponovnu upotrebu materijalnih resursa. Da biste vratili svoj upotrijebljeni uređaj, upotrijebite sustave za povrat i prikupljanje ili kontaktirajte prodavača kod kojeg je proizvod kupljen. Ovaj proizvod mogu odnijeti na ekološki sigurno recikliranje

LOTRONIC
international



EU Declaration of Conformity

Hereby we,

LOTRONIC SA
Avenue Zénobe Gramme, 9
1480 SAINTES
Belgium
+32.2.390.91.91

Certify and declare under our sole responsibility that the following product:



Trade name:

Product name: SPEAKER WITH BLUETOOTH, USB and SD

Type or model: PORT8VHF-BT, PORT10VHF-BT, PORT12VHF-BT & PORT15VHF-BT

Conforms with the essential requirements of

**RED directive 2014/53/EU, ErP directive 2009/125/EC, Commission Regulation (EC) No 278/2009, 2011/65/EU
RoHS directive and the Commission Delegated Directive (EU) 2015/863 and REACH 1907/2006.**

Based on the following specifications applied:

EN 62368-1 : 2014+A11 : 2017

EN 62479 : 2010

EN 55032 : 2015

EN 55035 : 2017

Draft ETSI EN 301 489-1 V2.2.1 (2019-03)

Draft ETSI EN 301 489-17 V3.2.0 (2017-03)

Draft ETSI EN 300 328 V2.2.1 (2019-04)

ETSI EN 300 422-1 V2.1.2 (2017-01)

IEC 62321-3-1 : 2013

IEC 62321-4 : 2013 + AMD1 : 2017

IEC 62321-5 : 2013

IEC 62321-6 : 2015

IEC 62321-7-1 : 2015

IEC 62321-7-2 : 2017

IEC 62321-8 : 2017

Place and date of issue: Saintes (Belgium), on 07/09/2020

Manuel De Sousa
Quality manager

LOTRONIC SA
Av. Zenobe Gramme 9
1480 Saintes - Belgium
Tel. +32.2.390.91.91
Fax +32.2.390.93.19
info@lotronic.net
www.lotronic.net

LOTRONIC
international



Déclaration UE de Conformité

Nous,

LOTRONIC SA
Avenue Zénobe Gramme, 9
1480 SAINTES
Belgique
+32.2.390.91.91

Certifions et déclarons sous notre seule responsabilité que les produits suivants:



Marque :

Désignation commerciale : Enceinte portable avec micros VHF, USB/BT

Type ou modèle : PORT8VHF-BT, PORT10VHF-BT, PORT12VHF-BT et PORT15VHF-BT

Auxquels se réfère cette déclaration sont conformes aux exigences essentielles et aux autres dispositions pertinentes des directives :

La directive RED 2014/53/EU, la directive ErP 2009/125/EU, le règlement (CE) N° 278/2009, la directive RoHS 2011/65/EU, la directive déléguée (UE) N° 2015/863 et le règlement REACH 1907/2006.

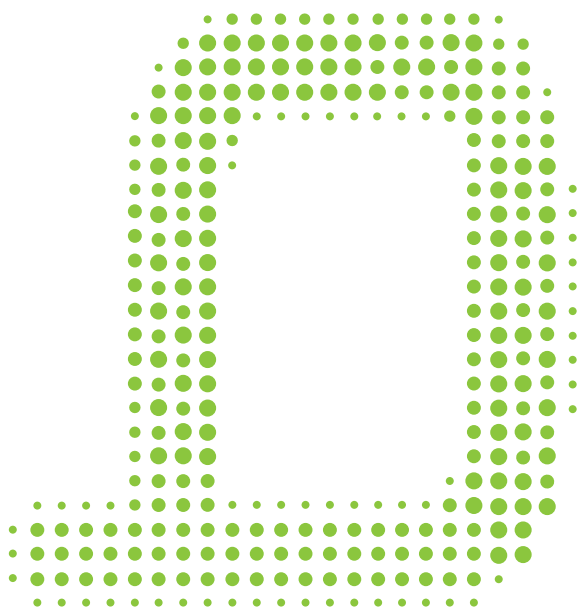
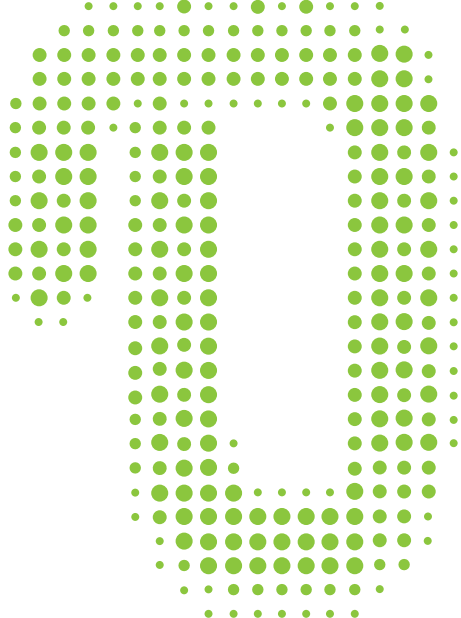
Basés sur les standards appliqués

EN 62368-1 : 2014+A11 : 2017
EN 62479 : 2010
EN 55032 : 2015
EN 55035 : 2017
Draft ETSI EN 301 489-1 V2.2.1 (2019-03)
Draft ETSI EN 301 489-17 V3.2.0 (2017-03)
Draft ETSI EN 300 328 V2.2.1 (2019-04)
ETSI EN 300 422-1 V2.1.2 (2017-01)
IEC 62321-3-1 : 2013
IEC 62321-4 : 2013 + AMD1 : 2017
IEC 62321-5 : 2013
IEC 62321-6 : 2015
IEC 62321-7-1 : 2015
IEC 62321-7-2 : 2017
IEC 62321-8 : 2017

Fait à Saintes (Belgique), le 07/09/2020

Manuel De Sousa
Responsable qualité

LOTRONIC SA
Av. Zenobe Gramme 9
1480 Saintes - Belgium
Tel. +32.2.390.91.91
Fax +32.2.390.93.19
info@lotronic.net
www.lotronic.net



View the product on our website

*Imported from China by LOTRONIC S.A.
Avenue Zénobe Gramme 9
B-1480 Saintes*



www.ibiza-light.com

©Copyright LOTRONIC 2020