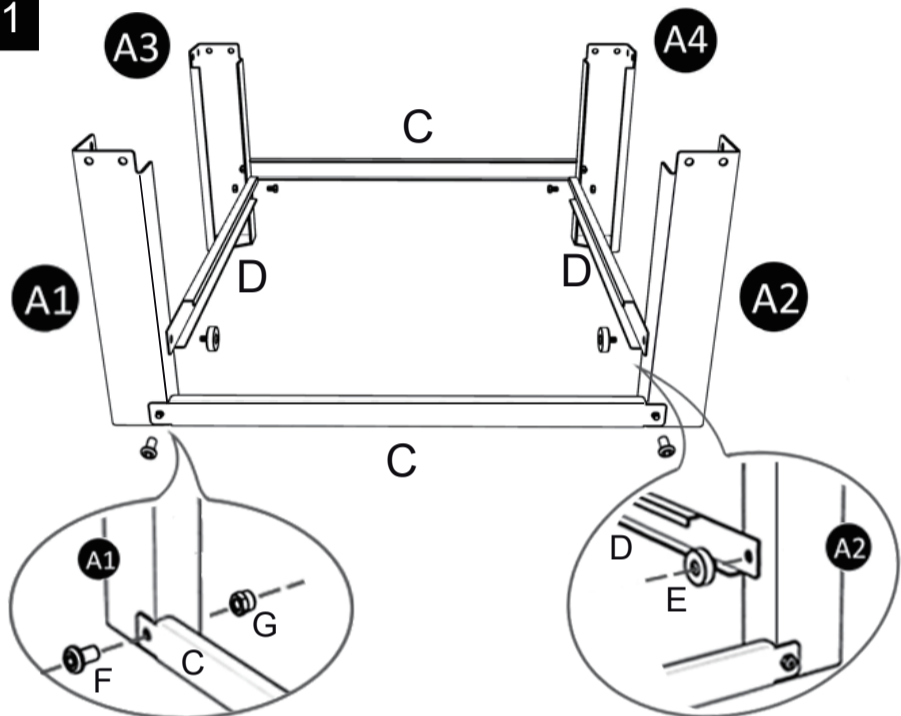
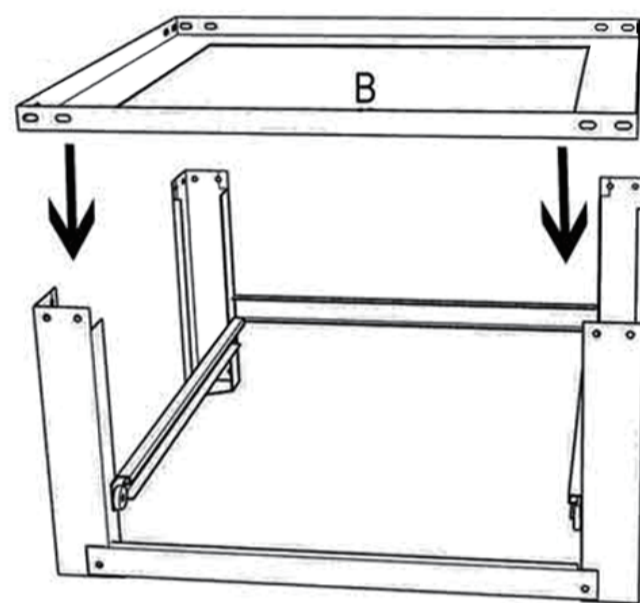


Code	Parts	Quantity	Code	Parts	Quantity
A	A1 A2 A3 A4	4	I		1
B		1	J		2
C		2	K		1
D		2	L		1
E		2	M		4
F		22	N		1
G		24			
H		1			

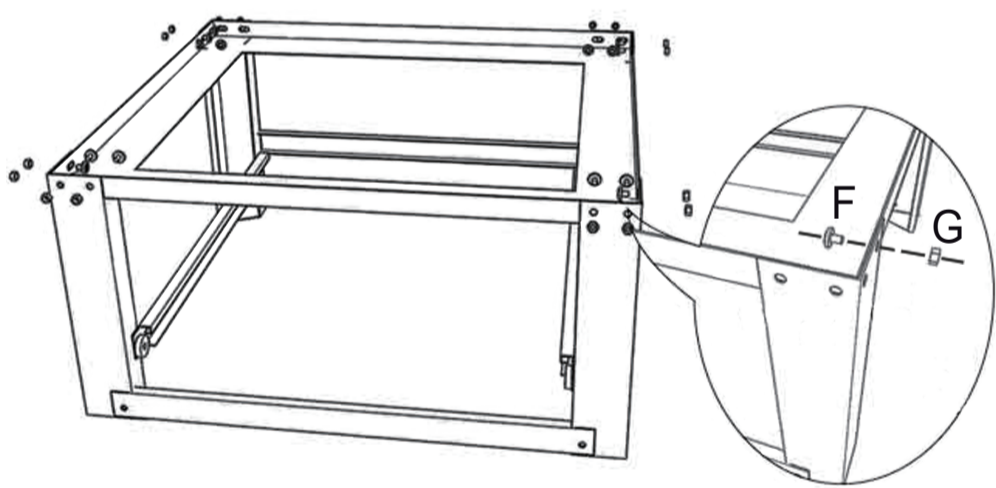
Step 1



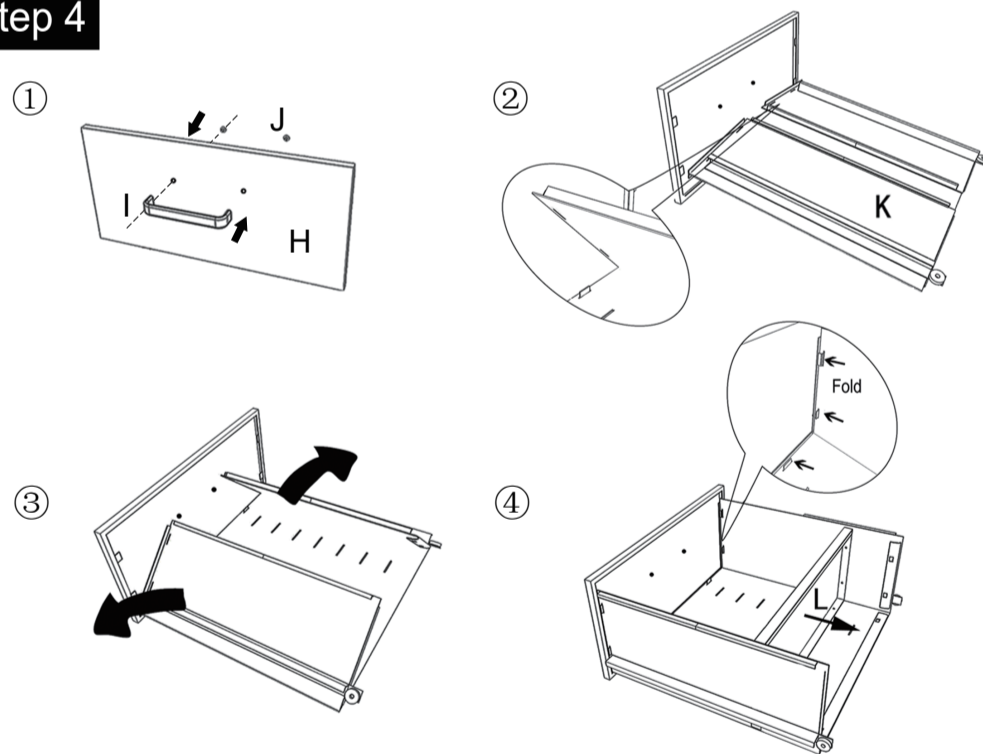
Step 2



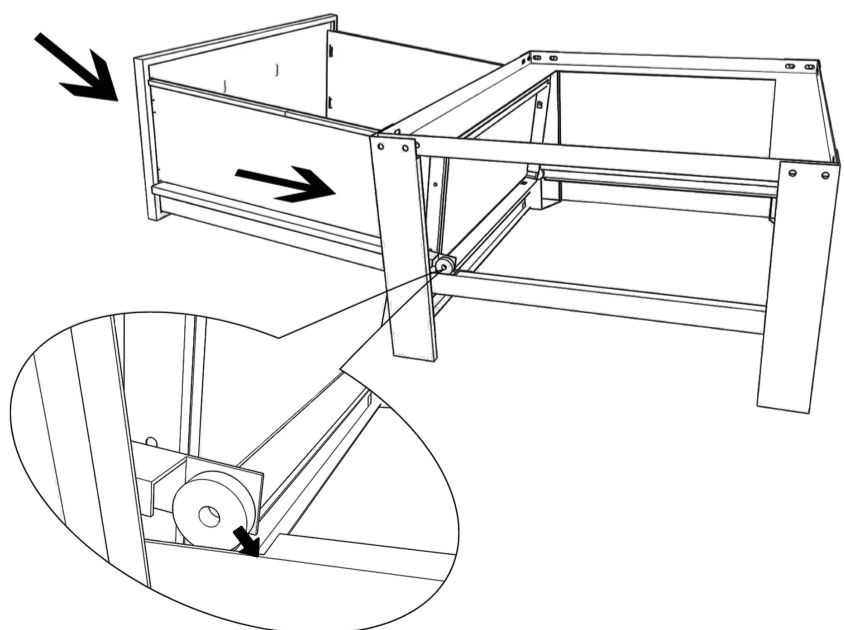
Step 3



Step 4



Step 5



Step 6

