

Deerma Portable Heating Water Cup

Instruction Manual for Portable Heating Water Cup

DEM-DR050

Thank you for your choice.
Read instruction manual carefully before use!

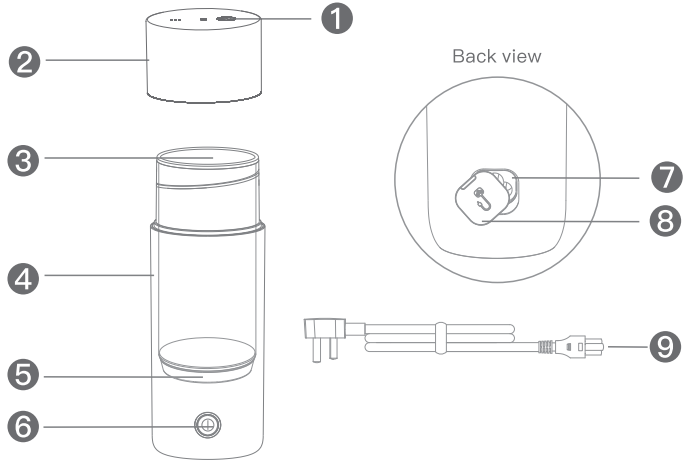
Warning

1. Be sure to open the cup lid to vent the steam when the machine is working, and in this case, do not touch it with your hands to avoid scalding;
2. Do not immerse this product in water or other liquids. Before cleaning, use the silicone rubber cap to cover the power port properly to prevent from water entering;
3. Never use the machine in a flammable and explosive environment;
4. Do not allow children or persons who are incapacitated or suffering sensory processing disorder and mental illness or lacking experience and education to operate the machine alone, so as to avoid scalding, electric shock and other injuries;
5. Before use, please make sure that the power supply voltage is consistent with the rated voltage indicated on the product nameplate;
6. If the power cord is damaged, it must be replaced with a dedicated cord or a dedicated part purchased from its manufacturer or maintenance department.
7. Do not modify, disassemble or repair the machine by yourself, otherwise fire, electric shock or injuries may occur;

Precautions

- Before using this product, please read the instructions in this manual carefully, and keep the manual in a safe place for future reference;
 - Please strictly abide by the following instructions, and any ignorance or misoperation may cause major accidents or personal injuries. The instructions are as follows.
1. Do not add excessive water, because the water may splash out after boiling. The maximum scale is marked on the cup body, so do not exceed it, otherwise the boiling water may splash out;
 2. Do not turn on the product without adding water into it. If the product is overheated due to lack of water, the temperature control board will automatically stop heating for the purpose of protection. To ensure safety, please unplug the power plug of the product and wait for the product to cool down before next use;
 3. Do not place the product in a place where containing corrosive gas, powder, conductive dust, steam or flammable gas. The product is only suitable for household use;
 4. Please unplug the power plug before cleaning or when not in use;
 5. It is a normal phenomenon that odor exists during the first use, and the odor may disappear gradually after two or three uses;
 6. Do not immerse this product in water or other liquids for cleaning;
 7. Wipe off water from the power plug before plugging it into the power socket to avoid danger;
 8. Warning: Do not move the cup body when the water is boiling;
 9. Please note that if the cup is added with excessive water, the boiling water may splash out;
 10. Do not immerse this appliance in water or other liquids;
 11. Do not operate the appliance with an external timer or an independent remote control system;
 12. Do not use this product for unintended uses;
 13. Do not allow children to operate this product, so please place it properly out of the reach of children;
 14. When this product fails, please stop using it and ask for after-sales professional maintenance to avoid accidental injury.

Product Structure Diagram



- | | | |
|---------------|-------------------|----------------|
| ① Vent button | ② Cup lid | ③ Liner |
| ④ Housing | ⑤ Heating chassis | ⑥ Power button |
| ⑦ Power port | ⑧ Port rubber cap | ⑨ Power cord |

Note: Details are subjected to the actual product in the package

Product Parameters

Product name: Portable heating water cup

Product model: DEM-DR050

Rated voltage: 220-240V~

Rated power: 300W

Rated frequency: 50-60Hz

Rated capacity: 350mL

Product dimensions: $\Phi 81 * 217$ mm

Product Features

1. Stylish, simple and elegant appearance;
2. Cup liner made of food-grade stainless steel, easy to clean and safe to use;
3. Accurate temperature control realizes automatic power off after water boiling;
4. Multi-purpose use such as water boiling and traveling, easy to carry;
5. A good helper for white-collar workers, and suitable in offices, beverage shops and hotels;

Packing List

Name	Qty.
Complete machine	1
Instruction manual	1
Power cord	1

Product Use Instructions

1 Open the cup lid

Before use, please open the cup lid, and place the cup body on a flat table.



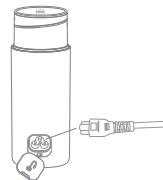
2 Add water into the cup

Add an appropriate amount of water into the cup, not exceeding the maximum scale.



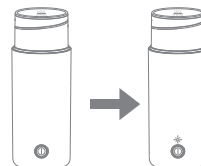
3 Plug the power plug

Plug the power cord into the power port in place. Please use the power socket with a rated voltage of 220V, and do not use it with other electrical appliances.



4 Activate the function

a. After power on, press the "Power" button. Then the indicator above the button lights up, and the machine starts to boil water. When the water is boiled, the indicator will go out, and the machine will stop heating and then enter the temperature holding state.



b. When the water is boiled, you can also press the "Power" button to stop the machine heating.

5 End

After the boiling, the machine will stop working and you can drink the water.

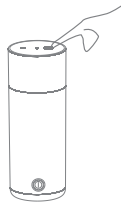
Alternatively you can close the cup lid for easy carrying.

(After the water is boiled, wait for 1 minute before closing the cup lid to avoid scalding due to steam)



6 Be careful before opening the cup lid

Before opening the cup lid, press its vent button downward until the steam is completely vented out.



The appliance must not be disposed of with regular household waste. At the end of its service life, the appliance must be properly delivered to a collection point for the recycling of electrical and electronic equipment. By Collection and recycling of old appliances, you are making an important contribution to the conservation of our natural resources and provide for environmentally sound and healthy disposal.

