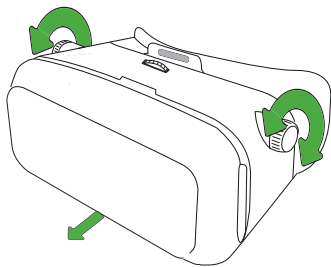
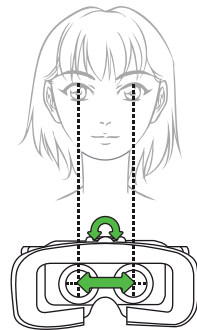
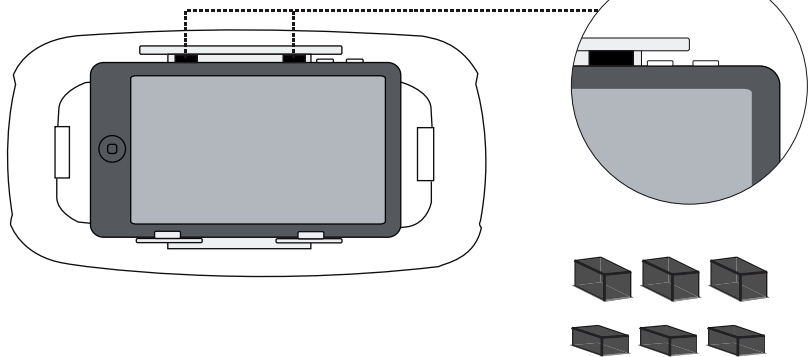


3. CONFIGURATION



4. PHONE BUTTON PROTECTION



FAQ

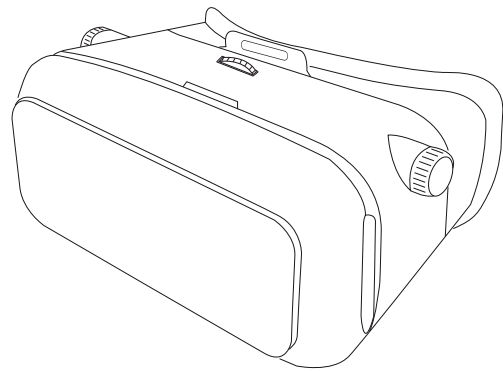
Frequently asked questions

<http://www.trust.com/21179/faq>

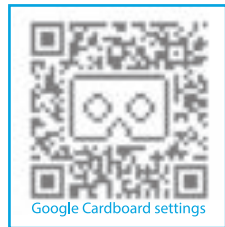
Trust
URBAN



USER GUIDE
VIRTUAL REALITY
GLASSES **EXOS**



13+ PLEASE READ
INCLUDED SAFETY
INSTRUCTIONS
BEFORE USE



1. DOWNLOAD APPS

WWW.TRUST.COM/VIRTUALREALITY

2. SETUP

