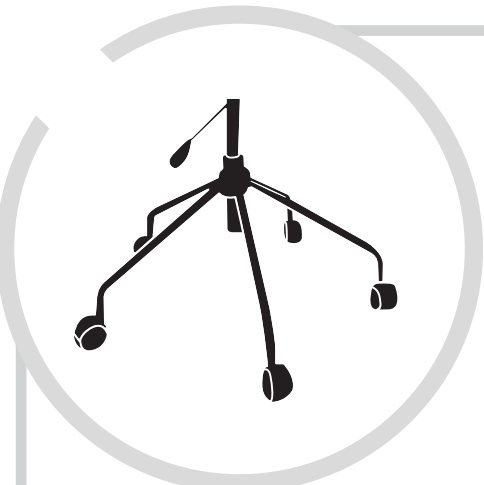


# Assembly instruction | Office base

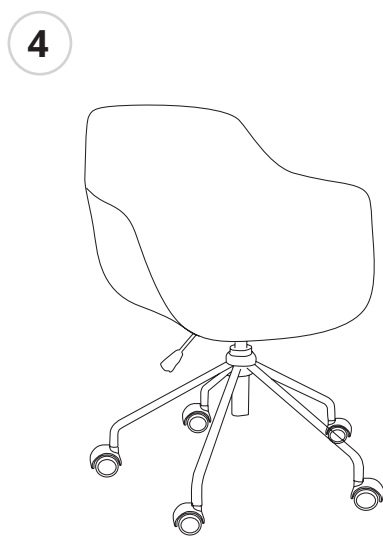
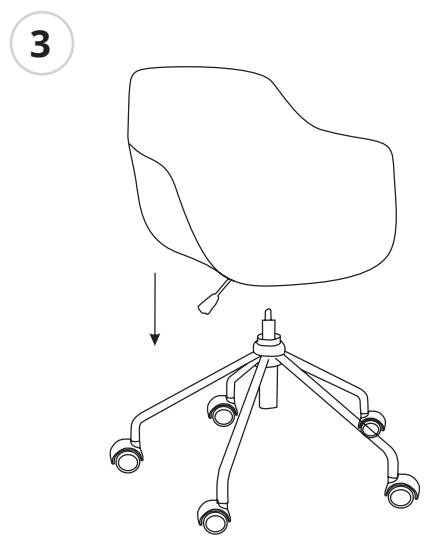
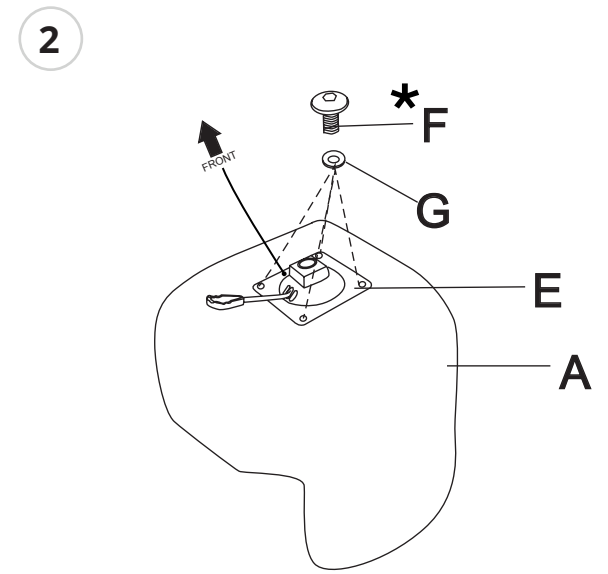
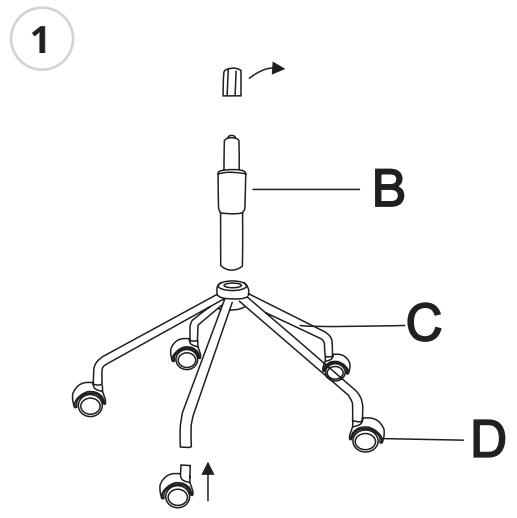


### Seat options



### Included parts

<b>A</b> x1	<b>B</b> x1
Seat	
<b>C</b> x1	<b>D</b> x5
<b>E</b> x1	<b>F</b> x4 (M6*14)
<b>G</b> x4 (M6*16*1)	<b>H</b> x1 (M6)



### \* ATTENTION!

For upholstered shell use different parts

**F** -> M6\*16 screws

