



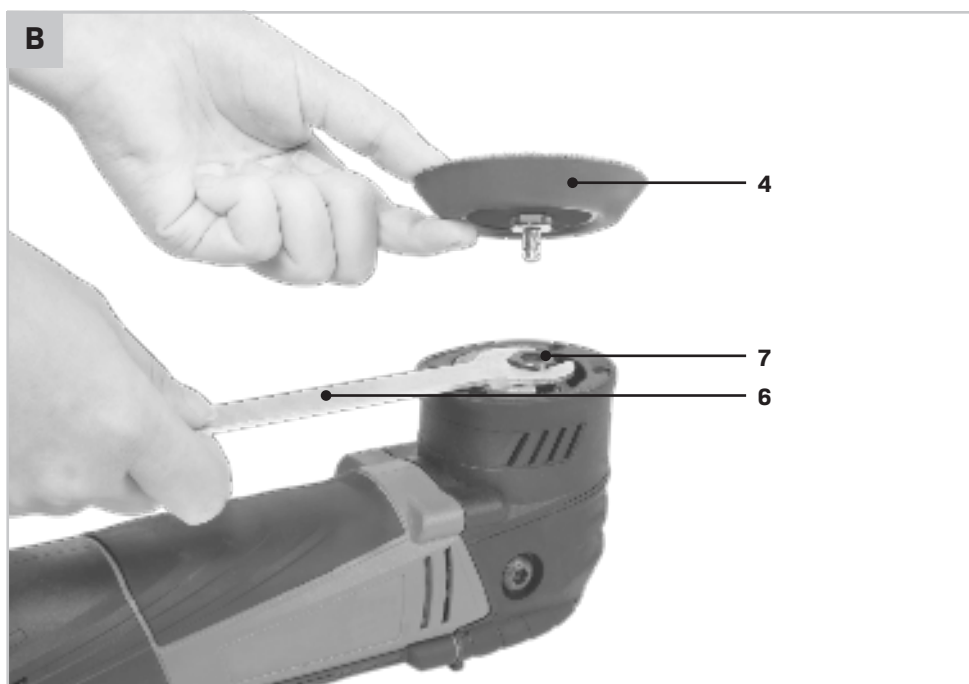
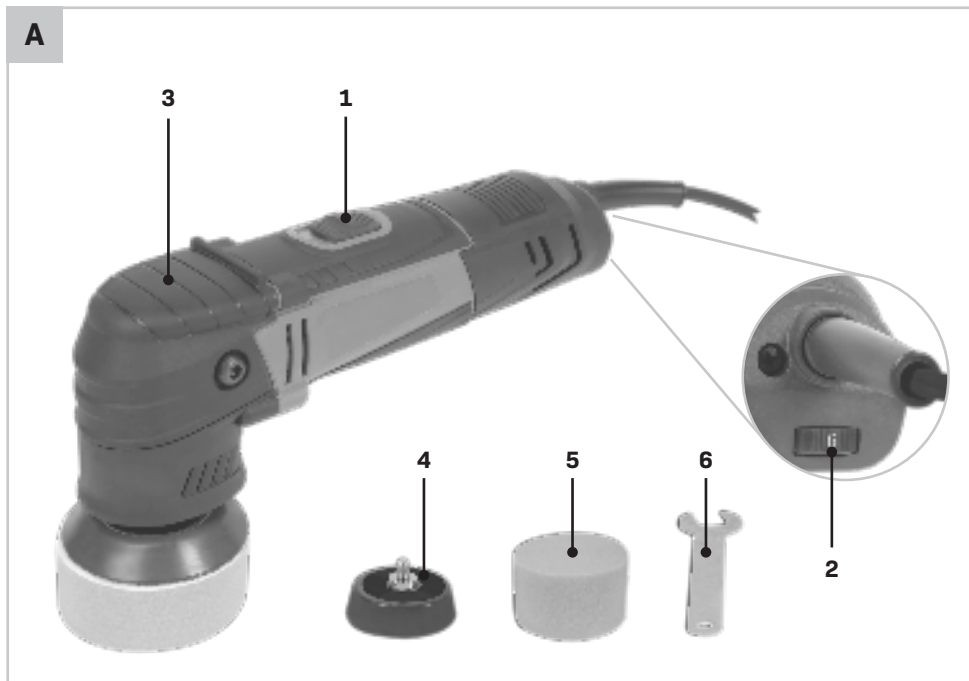
VONROC®

BUILD YOUR FUTURE

DUAL ACTION POLISHER PM507AC / S_PM507AC



EN	Original Instructions	03
DE	Übersetzung Der Originalbetriebsanleitung	08
NL	Vertaling van de oorspronkelijke gebruiksaanwijzing	15
FR	Traduction de la notice originale	21
ES	Traducción del manual original	27
IT	Traduzione delle istruzioni originali	33
SV	Översättning av bruksanvisning i original	39
DA	Oversættelse af den originale brugsanvisning	45
PL	Tłumaczenie instrukcji oryginalnej	50
RO	Traducere a instrucțiunilor originale	57
TR	Orijinal talimatların çevirisi	63



1. SAFETY INSTRUCTIONS

Read the enclosed safety warnings, the additional safety warnings and the instructions. Failure to follow the safety warnings and the instructions may result in electric shock, fire and/or serious injury. Save the safety warnings and the instructions for future reference.

The following symbols are used in the user manual or on the product:



Read the user manual.



Denotes risk of personal injury, loss of life or damage to the tool in case of non-observance of the instructions in this manual.



Risk of electric shock.



Variable electronic speed.



Wear a dust mask.



Wear safety goggles.



Wear hearing protection.



Class II machine - Double insulation - You don't need any earthed plug.



The product is in accordance with the applicable safety standards in the European directives.

GENERAL POWER TOOL SAFETY WARNINGS



WARNING! Read all safety warnings and all instructions. Failure to follow the warnings and instructions may result in electric shock, fire and/or serious injury.

Save all warnings and instructions for future reference.

The term "power tool" in the warnings refers to your mains-operated (corded) power tool or battery-operated (cordless) power tool.

1) Work area safety

- Keep the work area clean and well lit.** Cluttered or dark areas invite accidents.
- Do not operate power tools in explosive atmospheres, such as in the presence of flammable liquids, gases or dust.** Power tools create

sparks which may ignite the dust or fumes.

- Keep children and bystanders away while operating a power tool.** Distractions can cause you to lose control.

2) Electrical safety

- Power tool plugs must match the outlet. Never modify the plug in any way. Do not use any adapter plugs with earthed (grounded) power tools.** Unmodified plugs and matching outlets will reduce risk of electric shock.
- Avoid body contact with earthed or grounded surfaces, such as pipes, radiators, ranges and refrigerators.** There is an increased risk of electric shock if your body is earthed or grounded.
- Do not expose power tools to rain or wet conditions.** Water entering a power tool will increase the risk of electric shock.
- Do not abuse the cord. Never use the cord for carrying, pulling or unplugging the power tool. Keep cord away from heat, oil, sharp edges or moving parts.** Damaged or entangled cords increase the risk of electric shock.
- When operating a power tool outdoors, use an extension cord suitable for outdoor use.** Use of a cord suitable for outdoor use reduces the risk of electric shock.
- If operating a power tool in a damp location is unavoidable, use a residual current device (RCD) protected supply.** Use of an RCD reduces the risk of electric shock.

3) Personal safety

- Stay alert, watch what you are doing and use common sense when operating a power tool. Do not use a power tool while you are tired or under the influence of drugs, alcohol or medication.** A moment of inattention while operating power tools may result in serious personal injury.
- Use personal protective equipment. Always wear eye protection.** Protective equipment such as dust mask, non-skid safety shoes, hard hat, or hearing protection used for appropriate conditions will reduce personal injuries.
- Prevent unintentional starting. Ensure the switch is in the off-position before connecting to power source and/or battery pack, picking up or carrying the tool.** Carrying power tools with your finger on the switch or energising power tools that have the switch on invites accidents.
- Remove any adjusting key or wrench before**

turning the power tool on. A wrench or a key left attached to a rotating part of the power tool may result in personal injury.

- e) **Do not overreach. Keep proper footing and balance at all times.** This enables better control of the power tool in unexpected situations.
- f) **Dress properly. Do not wear loose clothing or jewellery. Keep your hair, clothing and gloves away from moving parts.** Loose clothes, jewellery or long hair can be caught in moving parts.
- g) **If devices are provided for the connection of dust extraction and collection facilities, ensure these are connected and properly used.** Use of dust collection can reduce dust related hazards.
- h) **Do not let familiarity gained from frequent use of tools allow you to become complacent and ignore tool safety principles.** A careless action can cause severe injury within a fraction of a second.

4) Power tool use and care

- a) **Do not force the power tool. Use the correct power tool for your application.** The correct power tool will do the job better and safer at the rate for which it was designed.
- b) **Do not use the power tool if the switch does not turn it on and off.** Any power tool that cannot be controlled with the switch is dangerous and must be repaired.
- c) **Disconnect the plug from the power source and/ or the battery pack from the power tool before making any adjustments, changing accessories, or storing power tools.** Such preventive safety measures reduce the risk of starting the power tool accidentally.
- d) **Store idle power tools out of the reach of children and do not allow persons unfamiliar with the power tool or these instructions to operate the power tool.** Power tools are dangerous in the hands of untrained users.
- e) **Maintain power tools. Check for misalignment or binding of moving parts, breakage of parts and any other condition that may affect the power tool's operation. If damaged, have the power tool repaired before use.** Many accidents are caused by poorly maintained power tools.
- f) **Keep cutting tools sharp and clean.** Properly maintained cutting tools with sharp cutting edges are less likely to bind and are easier to control.
- g) **Use the power tool, accessories and tool bits etc. in accordance with these instructions, taking into account the working conditions and**

the work to be performed. Use of the power tool for operations different from those intended could result in a hazardous situation.

- h) **Keep handles and grasping surfaces dry, clean and free from oil and grease.** Slippery handles and grasping surfaces do not allow for safe handling and control of the tool in unexpected situations.
- #### 5) Battery tool use and care
- a) **Recharge only with the charger specified by the manufacturer.** A charger that is suitable for one type of battery pack may create a risk of fire when used with another battery pack.
 - b) **Use power tools only with specifically designed battery packs.** Use of any other battery packs may create a risk of injury and fire.
 - c) **When battery pack is not in use, keep it away from other metal objects, like paper clips, coins, keys, nails, screws or other small metal objects that can make a connection from one terminal to another.** Shorting the battery terminals together may cause burns or a fire.
 - d) **Under abusive conditions, liquid may be ejected from the battery; avoid contact. If contact accidentally occurs, flush with water. If liquid contacts eyes, additionally seek medical help.** Liquid ejected from the battery may cause irritation or burns.
 - e) **Do not use a battery pack or tool that is damaged or modified.** Damaged or modified batteries may exhibit unpredictable behaviour resulting in fire, explosion or risk of injury.
 - f) **Do not expose a battery pack or tool to fire or excessive temperature.** Exposure to fire or temperature above 130 °C may cause explosion. NOTE The temperature „130 °C“ can be replaced by the temperature „265 °F“.
 - g) **Follow all charging instructions and do not charge the battery pack or tool outside the temperature range specified in the instructions.** Charging improperly or at temperatures outside the specified range may damage the battery and increase the risk of fire.
- #### 6) Service
- a) **Have your power tool serviced by a qualified repair person using only identical replacement parts.** This will ensure that the safety of the power tool is maintained.

- b) **Never service damaged battery packs.** Service of battery packs should only be performed by the manufacturer or authorized service providers.

ADDITIONAL SAFETY WARNINGS FOR POLISHERS

- a) **This power tool is intended to function as a polisher. Read all safety warnings, instructions, illustrations and specifications provided with this power tool.** Failure to follow all instructions listed below may result in electric shock, fire and/or serious injury.
- b) **Operations such as grinding, sanding, wire brushing, or cutting-off are not recommended to be performed with this power tool.** Operations for which the power tool was not designed may create a hazard and cause personal injury.
- c) **Do not use accessories which are not specifically designed and recommended by the tool manufacturer.** Just because the accessory can be attached to your power tool, it does not assure safe operation.
- d) **The rated speed of the accessory must be at least equal to the maximum speed marked on the power tool.** Accessories running faster than their rated speed can break and fly apart.
- e) **The outside diameter and the thickness of your accessory must be within the capacity rating of your power tool.** Incorrectly sized accessories cannot be adequately guarded or controlled.
- f) **Threaded mounting of accessories must match the grinder spindle thread. For accessories mounted by flanges, the arbour hole of the accessory must fit the locating diameter of the flange.** Accessories that do not match the mounting hardware of the power tool will run out of balance, vibrate excessively and may cause loss of control.
- g) **Do not use a damaged accessory. Before each use inspect the accessory such as abrasive wheels for chips and cracks, backing pad for cracks, tear or excess wear, wire brush for loose or cracked wires. If power tool or accessory is dropped, inspect for damage or install an undamaged accessory. After inspecting and installing an accessory, position yourself and bystanders away from the plane of the rotating accessory and run the power tool at maximum no-load speed for one minute.** Damaged accessories will normally break apart during this test time.
- h) **Wear personal protective equipment. Depending on application, use face shield, safety goggles or safety glasses. As appropriate, wear dust mask, hearing protectors, gloves and workshop apron capable of stopping small abrasive or workpiece fragments.** The eye protection must be capable of stopping flying debris generated by various operations. The dust mask or respirator must be capable of filtrating particles generated by your operation. Prolonged exposure to high intensity noise may cause hearing loss.
- i) **Keep bystanders a safe distance away from work area. Anyone entering the work area must wear personal protective equipment.** Fragments of workpiece or of a broken accessory may fly away and cause injury beyond immediate area of operation.
- j) **Hold the power tool by insulated gripping surfaces only, when performing an operation where the cutting accessory may contact hidden wiring or its own cord.** Cutting accessory contacting a "live" wire may make exposed metal parts of the power tool "live" and could give the operator an electric shock.
- k) **Position the cord clear of the spinning accessory.** If you lose control, the cord may be cut or snagged and your hand or arm may be pulled into the spinning accessory.
- l) **Never lay the power tool down until the accessory has come to a complete stop.** The spinning accessory may grab the surface and pull the power tool out of your control.
- m) **Do not run the power tool while carrying it at your side.** Accidental contact with the spinning accessory could snag your clothing, pulling the accessory into your body.
- n) **Regularly clean the power tool's air vents.** The motor's fan will draw the dust inside the housing and excessive accumulation of powdered metal may cause electrical hazards.
- o) **Do not operate the power tool near flammable materials.** Sparks could ignite these materials.
- p) **Do not use accessories that require liquid coolants.** Using water or other liquid coolants may result in electrocution or shock.
- q) **Do not allow any loose portion of the polishing bonnet or its attachment strings to spin freely.** Tuck away or trim any loose attachment strings. Loose and spinning attachment strings can entangle your fingers or snag on the workpiece.
- r) **Do not press the spindle lock until the tool stops.**

Kickback and Related Warnings

Kickback is a sudden reaction to a pinched or snagged rotating wheel, backing pad, brush or any other accessory. Pinching or snagging causes rapid stalling of the rotating accessory which in turn causes the uncontrolled power tool to be forced in the direction opposite of the accessory's rotation at the point of the binding. For example, if an abrasive wheel is snagged or pinched by the workpiece, the edge of the wheel that is entering into the pinch point can dig into the surface of the material causing the wheel to climb out or kick out. The wheel may either jump toward or away from the operator, depending on direction of the wheel's movement at the point of pinching. Abrasive wheels may also break under these conditions. Kickback is the result of power tool misuse and/or incorrect operating procedures or conditions and can be avoided by taking proper precautions as given below.

- a) **Maintain a firm grip on the power tool and position your body and arm to allow you to resist kickback forces. Always use auxiliary handle, if provided, for maximum control over kickback or torque reaction during start-up.**
The operator can control torque reactions or kickback forces, if proper precautions are taken.
- b) **Never place your hand near the rotating accessory.** Accessory may kickback over your hand.
- c) **Do not position your body in the area where power tool will move if kickback occurs.**
Kickback will propel the tool in direction opposite to the wheel's movement at the point of snagging.
- d) **Use special care when working corners, sharp edges etc. Avoid bouncing and snagging the accessory.** Corners, sharp edges or bouncing have a tendency to snag the rotating accessory and cause loss of control or kickback.
- e) **Do not attach a saw chain woodcarving blade or toothed saw blade.** Such blades create frequent kickback and loss of control.

Electrical safety



Always check that the voltage of the power supply corresponds to the voltage on the rating plate.

- Do not use the machine if the mains cable or the mains plug is damaged. If the supply cord of this power tool is damaged, it must be replaced by a specially prepared supply cord available

through the service organization.

- Only use extension cables that are suitable for the power rating of the machine with a minimum thickness of 1.5 mm². If you use an extension cable reel, always fully unroll the cable.

2. MACHINE INFORMATION

Intended use

This machine is intended for polishing and brushing metal and coated surfaces.

TECHNICAL SPECIFICATIONS

Model No.	PM507AC / S_PM507AC
Voltage	230-240V~
Frequency	50Hz
Power	400W
No-load speed	2000-6800/min
Disc diameter	75 mm / 50 mm
Weight	1.5 kg
Sound pressure level L_{PA}	80 dB(A), K= 3 dB(A)
Sound power level L_{WA}	91 dB(A), K= 3 dB(A)
Vibration ah,P	3.08 m/s ² , K= 1.5 m/s ²

Vibration level

The vibration emission level stated in this instruction manual has been measured in accordance with a standardized test given in EN 62841; it may be used to compare one tool with another and as a preliminary assessment of exposure to vibration when using the tool for the applications mentioned.

- the vibration emission during actual use of the power tool can differ from the declared total value depending on the ways in which the tool is used;
- the need to identify safety measures to protect the operator that are based on an estimation of exposure in the actual conditions of use (taking account of all parts of the operating cycle such as the times when the tool is switched off and when it is running idle in addition to the trigger time).

Protect yourself against the effects of vibration by maintaining the tool and its accessories, keeping your hands warm, and organizing your work patterns.

DESCRIPTION

The numbers in the text refer to the diagrams on page 2.

1. On/off switch
2. Speed adjustment wheel
3. Grip
4. Backing plate
5. Polishing pad
6. Wrench
7. Spindle

3. ASSEMBLY



Before assembly, always switch off the machine and remove the mains plug from the mains.

Mounting and removing accessories (Fig. A, B)

Make sure to use the right accessory for the corresponding material. Use undamaged and clean polishing accessories only.

Backing plate

1. Place the machine on its back.
2. Position the wrench (6) to engage the flats on the spindle (7). It may be necessary to rotate the backing plate (4) to expose the spindle (7) flats.
3. While holding the spindle (7) with the wrench (5), rotate the backing plate (4) clockwise (by hand) to tighten it.

Polishing pad

1. Place the machine on its back.
2. Firmly press the polishing pad (5) onto the hook and loop backingplate (4).

To remove the pad (5), simply pull the pad from the backingplate (4).

4. OPERATION

Switching on and off (fig. A)

- To switch on the machine, slide the on/off switch (1) to the front.
- To switch off the machine, slide the on/off switch (1) to the rear.

Setting the speed (fig. A)

The speed adjustment wheel (2) is used for setting the speed. The speed adjustment wheel (2) can be

set to 6 positions. The ideal speed depends on the application and on the material to be worked.



Do not set the speed during use.

- Turn the speed adjustment wheel (2) to the required position.

5. MAINTENANCE



Before cleaning and maintenance, always switch off the machine and remove the mains plug from the mains.

Clean the machine casings regularly with a soft cloth, preferably after each use. Make sure that the ventilation openings are free of dust and dirt. Remove very persistent dirt using a soft cloth moistened with soapsuds. Do not use any solvents such as gasoline, alcohol, ammonia, etc. Chemicals such as these will damage the synthetic components.

ENVIRONMENT



Faulty and/or discarded electrical or electronic apparatus have to be collected at the appropriate recycling locations.

Only for EC countries

Do not dispose of power tools into domestic waste. According to the European Guideline 2012/19/EC for Waste Electrical and Electronic Equipment and its implementation into national right, power tools that are no longer usable must be collected separately and disposed of in an environmentally friendly way.

WARRANTY

VONROC products are developed to the highest quality standards and are guaranteed free of defects in both materials and workmanship for the period lawfully stipulated starting from the date of original purchase. Should the product develop any failure during this period due to defective material and/or workmanship then contact VONROC directly.

The following circumstances are excluded from this guarantee:

- Repairs and or alterations have been made or attempted to the machine by unauthorized service centers;

- Normal wear and tear;
- The tool has been abused, misused or improperly maintained;
- Non-original spare parts have been used.

This constitutes the sole warranty made by company either expressed or implied. There are no other warranties expressed or implied which extend beyond the face hereof, herein, including the implied warranties of merchantability and fitness for a particular purpose. In no event shall VONROC be liable for any incidental or consequential damages. The dealers remedies shall be limited to repair or replacement of nonconforming units or parts.

The product and the user manual are subject to change. Specifications can be changed without further notice.

1. SICHERHEITSANWEISUNGEN

Lesen Sie die beiliegenden Sicherheitsanweisungen, die zusätzlichen Sicherheitsanweisungen sowie diese Bedienungsanleitung sorgfältig durch. Bei Nichtbeachten der Sicherheitsanweisungen und der Bedienungsanleitung kann es zu einem Stromschlag, einem Brand und/oder schweren Verletzungen kommen. Bewahren Sie die Sicherheitsanweisungen und die Bedienungsanleitung zur künftigen Bezugnahme sicher auf.

Folgende Symbole werden im Benutzerhandbuch oder auf dem Produkt verwendet:



Benutzerhandbuch/Bedienungsanleitung lesen.



Lebens- und Verletzungsgefahr und Gefahr von Beschädigungen am Werkzeug/Gerät bei Nichteinhaltung der Anweisungen in dieser Bedienungsanleitung.



Gefahr eines Stromschlags.



Verstellbarer Geschwindigkeitsregler.



Tragen Sie eine Staubmaske.



Schutzbrille und Gehörschutz tragen.



Gerät der Schutzklasse II – schutzisoliert – kein Schutzkontakt erforderlich.



Das Produkt entspricht den geltenden Sicherheitsnormen der europäischen Richtlinien.

ALLGEMEINE SICHERHEITSHINWEISE



ACHTUNG! Lesen Sie alle Sicherheitshinweise und Anweisungen. Fehler bei der Einhaltung der nachstehend aufgeführten Anweisungen können elektrischen Schlag, Brand und/oder schwere Verletzungen verursachen.

Bewahren Sie diese Anweisungen gut auf. Der nachfolgend verwendete Begriff „Elektrowerkzeug“ bezieht sich auf netzbetriebene Elektrowerkzeuge (mit Netzkabel) und auf akkubetriebene Elektrowerkzeuge (ohne Netzkabel).

1) Arbeitsplatz

- a) **Halten Sie Ihren Arbeitsbereich sauber und aufgeräumt.** Unordnung und unbeleuchtete Arbeitsbereiche können zu Unfällen führen.
- b) **Arbeiten Sie mit dem Gerät nicht in explosionsgefährdeter Umgebung, in der sich brennbare Flüssigkeiten, Gase oder Staub befinden.** Elektrowerkzeuge erzeugen Funken, die den Staub oder die Dämpfe entzünden können.
- c) **Halten Sie Kinder und andere Personen während der Benutzung des Elektrowerkzeugs fern.** Bei Ablenkung können Sie die Kontrolle über das Gerät verlieren.

2) Elektrische Sicherheit

- a) **Der Anschlussstecker des Gerätes muss in die Steckdose passen. Der Netzstecker darf in keiner Weise verändert werden. Verwenden Sie keine Adapterstecker gemeinsam mit schutzgeerdeten Geräten. Unveränderte Netzstecker und passende Steckdosen verringern das Risiko eines elektrischen Schlages.**
- b) **Vermeiden Sie Körperkontakt mit geerdeten Oberflächen, wie von Rohren, Heizungen, Herden und Kühlschränken.** Es besteht ein erhöhtes Risiko durch elektrischen Schlag, wenn Ihr Körper geerdet ist.
- c) **Halten Sie das Gerät von Regen oder Nässe fern.** Das Eindringen von Wasser in ein Elektrogerät erhöht das Risiko eines elektrischen Schlages.
- d) **Zweckentfremden Sie das Netzkabel nicht, um das Gerät zu tragen, aufzuhängen oder um den Netzstecker aus der Steckdose zu ziehen. Halten Sie das Netzkabel fern von Hitze, Öl, scharfen Kanten oder sich bewegenden Geräteteilen.** Beschädigte oder verwickelte Netzkabel erhöhen das Risiko eines elektrischen Schlages.
- e) **Wenn Sie mit einem Elektrowerkzeug im Freien arbeiten, verwenden Sie nur Verlängerungskabel, die auch für den Außenbereich zugelassen sind.** Die Anwendung eines für den Außenbereich geeigneten Verlängerungskabels verringert das Risiko eines elektrischen Schlages
- f) **Wenn sich Arbeiten mit einem Elektrowerkzeug in feuchten Umgebungen nicht vermeiden lassen, verwenden Sie eine Stromversorgung mit einer Fehlerstrom-Schutzeinrichtung (RCD).** Durch die Verwendung einer RCD wird die Gefahr eines elektrischen Schlags verringert.

3) Sicherheit von Personen

- a) **Seien Sie aufmerksam. Achten Sie darauf, was Sie tun, und gehen Sie mit Vernunft an die Arbeit mit einem Elektrowerkzeug. Benutzen Sie das Gerät nicht, wenn Sie müde sind oder unter dem Einfluss von Drogen, Alkohol oder Medikamenten stehen.** Ein Moment der Unachtsamkeit beim Gebrauch des Gerätes kann zu ernsthaften Verletzungen führen.
- b) **Tragen Sie persönliche Schutzausrüstung und immer eine Schutzbrille.** Das Tragen persönlicher Schutzausrüstung, wie Staubmaske, rutschfeste Sicherheitsschuhe, Schutzhelm oder Gehörschutz, je nach Art und Einsatz des Elektrowerkzeuges, verringert das Risiko von Verletzungen.
- c) **Vermeiden Sie eine unbeabsichtigte Inbetriebnahme. Vergewissern Sie sich, dass der Schalter in der Position „AUS(O)“ ist, bevor Sie den Netzstecker in die Steckdose stecken.** Wenn Sie beim Tragen des Gerätes den Finger am Schalter haben oder das Gerät eingeschaltet an die Stromversorgung anschließen, kann dies zu Unfällen führen.
- d) **Entfernen Sie Einstellwerkzeuge oder Schraubenschlüssel, bevor Sie das Gerät einschalten.** Ein Werkzeug oder Schlüssel, der sich in einem drehenden Geräteteil befindet, kann zu Verletzungen führen.
- e) **Überschätzen Sie sich nicht. Sorgen Sie für einen sicheren Stand und halten Sie jederzeit das Gleichgewicht.** Dadurch können Sie das Gerät in unerwarteten Situationen besser kontrollieren.
- f) **Tragen Sie geeignete Kleidung. Tragen Sie keine weite Kleidung oder Schmuck. Halten Sie Haare, Kleidung und Handschuhe fern von sich bewegenden Teilen.** Lockere Kleidung, Schmuck oder lange Haare können von sich bewegenden Teilen erfasst werden.
- g) **Wenn Staubabsaug- und -auffangeinrichtungen montiert werden können, vergewissern Sie sich, dass diese angeschlossen sind und richtig verwendet werden.** Das Verwenden dieser Einrichtungen verringert Gefährdungen durch Staub.
- h) **Achten Sie darauf, nicht durch häufigen Gebrauch von Werkzeugen nachlässig zu werden und die Prinzipien zum sicheren Umgang mit den Werkzeugen zu ignorieren.** Eine unachtsame Handlung kann innerhalb von Sekundenbruchteilen schwere Verletzungen verursachen.

- 4) Sorgfältiger Umgang und Gebrauch von Elektrowerkzeugen**
- a) Überlasten Sie das Gerät nicht. Verwenden Sie für Ihre Arbeit das dafür bestimmte Elektrowerkzeug. Mit dem passenden Elektrowerkzeug arbeiten Sie besser und sicherer im angegebenen Leistungsbereich.
 - b) **Benutzen Sie kein Elektrowerkzeug, dessen Schalter defekt ist.** Ein Elektrowerkzeug, das sich nicht mehr ein- oder ausschalten lässt, ist gefährlich und muss repariert werden.
 - c) **Ziehen Sie den Netzstecker aus der Steckdose, bevor Sie Geräteeinstellungen vornehmen, Zubehörteile wechseln oder das Gerät weglegen.** Diese Vorsichtsmaßnahme verhindert den unbeabsichtigten Start des Geräts.
 - d) **Bewahren Sie unbenutzte Elektrowerkzeuge außerhalb der Reichweite von Kindern auf. Lassen Sie Personen das Gerät nicht benutzen, die mit diesem nicht vertraut sind oder diese Anweisungen nicht gelesen haben.** Elektrowerkzeuge sind gefährlich, wenn Sie von unerfahrenen Personen benutzt werden.
 - e) **Pflegen Sie das Gerät mit Sorgfalt. Kontrollieren Sie, ob bewegliche Geräteteile einwandfrei funktionieren und nicht klemmen, ob Teile gebrochen oder so beschädigt sind, dass die Funktion des Gerätes beeinträchtigt ist. Lassen Sie beschädigte Teile vor dem Einsatz des Gerätes reparieren.** Viele Unfälle haben ihre Ursache in schlecht gewarteten Elektrowerkzeugen.
 - f) **Halten Sie Schneidwerkzeuge scharf und sauber.** Sorgfältig gepflegte Schneidwerkzeuge mit scharfen Schneidkanten verklemmen sich weniger und sind leichter zu führen.
 - g) **Verwenden Sie Elektrowerkzeug, Zubehör, Einsatzwerkzeuge usw. entsprechend diesen Anweisungen und so, wie es für diesen speziellen Gerätetyp vorgeschrieben ist. Berücksichtigen Sie dabei die Arbeitsbedingungen und die auszuführende Tätigkeit.** Der Gebrauch von Elektrowerkzeugen für andere als die vorgesehenen Anwendungen kann zu gefährlichen Situationen führen.
 - h) **Halten Sie Griffe und Greifflächen immer trocken, sauber und frei von Öl und Fett.** Rutschige Griffe und Greifflächen verhindern in unerwarteten Situationen den sicheren Umgang mit dem Werkzeug und die richtige Kontrolle darüber.
- 5) Umgang mit Akkuwerkzeugen**
- a) **Zum Laden ist ausschließlich das vom Hersteller angegebene Ladegerät zu verwenden.** Ein Ladegerät, das für eine Art von Akkus geeignet ist, kann bei Verwendung mit einer anderen Art von Akku Brandgefahr verursachen.
 - b) **Elektrowerkzeuge dürfen nur mit speziell dazu bestimmten Akkus verwendet werden,** da bei der Verwendung anderer Akkus Verletzungs- und Brandgefahr entstehen kann.
 - c) **Wenn der Akku nicht in Gebrauch ist, ist er von Büroklammern, Münzen, Schlüssel, Nägel, Schrauben und anderen kleinen Metallobjekten fernzuhalten, die eine Verbindung zwischen den Polen bilden können.** Kurzschließen der Pole kann Brand oder Verbrennungen verursachen.
 - d) **Bei falschem Umgang mit dem Akku kann Flüssigkeit aus dem Akku austreten. Die Berührung dieser Flüssigkeit ist zu vermeiden. Bei Berührung den betroffenen Körperteil mit Wasser abspülen. Bei Berührung der Flüssigkeit mit den Augen muss zusätzlich ärztliche Hilfe gerufen werden.** Die Akkuflüssigkeit kann Reizungen oder Verbrennungen verursachen.
 - e) **Verwenden Sie keinesfalls Akkus und Werkzeuge, die beschädigt oder verändert wurden.** Beschädigte oder veränderte Akkus können ein unvorhersehbares Verhalten zeigen, das zu Feuer, Explosionen oder Verletzungsgefahren führt.
 - f) **Setzen Sie Akkus oder Werkzeuge keinem Feuer oder übermäßigen Temperaturen aus.** Feuer oder Temperaturen über 130 °C können zu Explosionen führen. HINWEIS: Die Temperaturangabe „130 °C“ kann durch die Temperaturangabe „265 °F“ ersetzt werden.
 - g) **Beachten Sie alle Hinweise zum Aufladen und laden Sie Akkus oder Werkzeuge nicht außerhalb der in der Anleitung angegebenen Temperaturbereiche auf.** Unsachgemäßes Aufladen oder Aufladen bei Temperaturen außerhalb des angegebenen Bereichs kann den Akku schädigen und die Brandgefahr erhöhen.
- 6) Service**
- a) **Lassen Sie Ihre Werkzeuge durch einen qualifizierten Reparaturtechniker ausschließlich mit identischen Ersatzteilen warten.** So lässt sich eine gleich bleibende Sicherheit des Elektrowerkzeugs gewährleisten.
 - b) **Beschädigte Akkus dürfen keinesfalls gewartet werden.** Die Wartung von Akkus darf nur

vom Hersteller oder von Vertragswerkstätten durchgeführt werden.

ZUSÄTZLICHE SICHERHEITSHINWEISE FÜR POLIERARBEITEN

- a) **Dieses Elektrowerkzeug ist zu verwenden als Polierer. Beachten Sie alle Sicherheitshinweise, Anweisungen, Darstellungen und Daten, die Sie mit dem Gerät erhalten.** Wenn Sie die folgenden Anweisungen nicht beachten kann es zu elektrischem Schlag, Feuer und/oder schweren Verletzungen kommen.
- b) **Dieses Elektrowerkzeug ist nicht geeignet zum Schleifen, Sandpapierschleifen, Arbeiten mit Drahtbürsten und Trennschleifen.** Verwendungen, für die das Elektrowerkzeug nicht vorgesehen ist, können Gefährdungen und Verletzungen verursachen.
- c) **Verwenden Sie kein Zubehör, das vom Hersteller nicht speziell für dieses Elektrowerkzeug vorgesehen und empfohlen wurde.** Nur weil Sie das Zubehör an Ihrem Elektrowerkzeug befestigen können, garantiert das keine sichere Verwendung.
- d) **Die zulässige Drehzahl des Einsatzwerkzeugs muss mindestens so hoch sein wie die auf dem Elektrowerkzeug angegebene Höchstzahl.** Zubehör, das sich schneller als zulässig dreht, kann zerbrechen und umherfliegen.
- e) **Außendurchmesser und Dicke des Einsatzwerkzeugs müssen den Maßangaben Ihres Elektrowerkzeugs entsprechen.** Falsch bemessene Einsatzwerkzeuge können nicht ausreichend abgeschirmt oder kontrolliert werden.
- f) **Einsatzwerkzeuge mit Gewindeeinsatz müssen genau auf das Gewinde der Schleifspindel passen. Bei Einsatzwerkzeugen, die mittels Flansch montiert werden, muss der Lochdurchmesser des Einsatzwerkzeuges zum Aufnahmedurchmesser des Flansches passen.** Einsatzwerkzeuge, die nicht genau am Elektrowerkzeug befestigt werden, drehen sich ungleichmäßig, vibrieren sehr stark und können zum Verlust der Kontrolle führen.
- g) **Verwenden Sie keine beschädigten Einsatzwerkzeuge. Kontrollieren Sie vor jeder Verwendung Einsatzwerkzeuge wie Schleifscheiben auf Absplitterungen und Risse, Schleifteller auf Risse, Verschleiß oder starke Abnutzung, Drahtbürsten auf lose oder gebrochene Drähte. Wenn das Elektrowerkzeug oder das Einsatzwerkzeug herunterfällt, überprüfen Sie, ob es beschädigt ist, oder verwenden Sie ein unbeschädigtes Einsatzwerkzeug. Wenn Sie das Einsatzwerkzeug kontrolliert und eingesetzt haben, halten Sie und in der Nähe befindliche Personen sich außerhalb der Ebene des rotierenden Einsatzwerkzeugs auf und lassen Sie das Gerät eine Minute lang mit Höchstzahl laufen.** Beschädigte Einsatzwerkzeuge brechen meist in dieser Testzeit.
- h) **Tragen Sie persönliche Schutzausrüstung. Verwenden Sie je nach Anwendung Vollgesichtsschutz, Augenschutz oder Schutzbrille. Soweit angemessen, tragen Sie Staubmaske, Gehörschutz, Schutzhandschuhe oder Spezialschürze, die kleine Schleif- und Materialpartikel von Ihnen fernhält.** Die Augen sollen vor herumfliegenden Fremdkörpern geschützt werden, die bei verschiedenen Anwendungen entstehen. Staub- oder Atemschutzmaske müssen den bei der Anwendung entstehenden Staub filtern. Wenn Sie lange lautem Lärm ausgesetzt sind, können Sie einen Hörverlust erleiden.
- i) **Achten Sie bei anderen Personen auf sicheren Abstand zu Ihrem Arbeitsbereich. Jeder, der den Arbeitsbereich betritt, muss persönliche Schutzausrüstung tragen.** Bruchstücke des Werkstücks oder gebrochener Einsatzwerkzeuge können wegfliegen und Verletzungen auch außerhalb des direkten Arbeitsbereichs verursachen.
- j) **Halten Sie das Gerät nur an den isolierten Griffflächen, wenn Sie Arbeiten ausführen, bei denen das Einsatzwerkzeug verborgene Stromleitungen oder das eigene Netzkabel treffen kann.** Der Kontakt mit einer spannungsführenden Leitung kann auch metallene Geräteteile unter Spannung setzen und zu einem elektrischen Schlag führen.
- k) **Halten Sie das Netzkabel von sich drehenden Einsatzwerkzeugen fern.** Wenn Sie die Kontrolle über das Gerät verlieren, kann das Netzkabel durchtrennt oder erfasst werden und Ihre Hand oder ihr Arm in das sich drehende Einsatzwerkzeug geraten.
- l) **Legen Sie das Elektrowerkzeug niemals ab, bevor das Einsatzwerkzeug völlig zum Stillstand gekommen ist.** Das sich drehende Einsatzwerkzeug kann in Kontakt mit der Ablagefläche geraten, wodurch Sie die Kontrolle über das Elektrowerkzeug verlieren können.
- m) **Lassen Sie das Elektrowerkzeug nicht laufen, während Sie es tragen.** Ihre Kleidung kann

- durch zufälligen Kontakt mit dem sich drehenden Einsatzwerkzeug erfasst werden und das Einsatzwerkzeug sich in Ihren Körper bohren.
- n) **Reinigen Sie regelmäßig die Lüftungsschlitze Ihres Elektrowerkzeugs.** Das Motorgebläse zieht Staub in das Gehäuse, und eine starke Ansammlung von Metallstaub kann elektrische Gefahren verursachen.
- o) **Verwenden Sie das Elektrowerkzeug nicht in der Nähe brennbarer Materialien.** Funken können diese Materialien entzünden.
- p) **Verwenden Sie keine Einsatzwerkzeuge, die flüssige Kühlmittel erfordern.** Die Verwendung von Wasser oder anderen flüssigen Kühlmitteln kann zu einem elektrischen Schlag führen.
- q) **Lassen Sie keine losen Teile der Polierhaube, insbesondere Befestigungsschnüre, zu.** Verstauben oder kürzen Sie die Befestigungsschnüre. Lose, sich mitdrehende Befestigungsschnüre können Ihre Finger erfassen oder sich im Werkstück verfangen.
- r) **Spindelarretierung nur bei stillstehendem Werkzeug drücken.**

Rückschlag und entsprechende Sicherheitshinweise

Rückschlag ist die plötzliche Reaktion infolge eines hakenden oder blockierten drehenden Einsatzwerkzeugs, wie Schleifscheibe, Schleifteller, Drahtbürste usw. Verhaken oder Blockieren führt zu einem abrupten Stopp des rotierenden Einsatzwerkzeugs. Dadurch wird ein unkontrolliertes Elektrowerkzeug gegen die Drehrichtung des Einsatzwerkzeugs an der Blockierstelle beschleunigt. Wenn z. B. eine Schleifscheibe im Werkstück hakt oder blockiert, kann sich die Kante der Schleifscheibe, die in das Werkstück eintaucht, verfangen und dadurch die Schleifscheibe ausbrechen oder einen Rückschlag verursachen. Die Schleifscheibe bewegt sich dann auf die Bedienperson zu oder von ihr weg, je nach Drehrichtung der Scheibe an der Blockierstelle. Hierbei können Schleifscheiben auch brechen. Ein Rückschlag ist die Folge eines falschen oder fehlerhaften Gebrauchs des Elektrowerkzeugs. Er kann durch geeignete Vorsichtsmaßnahmen wie nachfolgend beschrieben verhindert werden.

- a) **Halten Sie das Elektrowerkzeug gut fest und bringen Sie Ihren Körper und Ihre Arme in eine Position, in der Sie die Rückschlagkräfte abfangen können. Verwenden Sie immer den Zusatzgriff, falls vorhanden, um die größtmögliche Kontrolle über Rückschlagkräfte oder Reaktionsmomente beim Hochlauf zu haben.** Die Bedienperson kann durch geeignete Vorsichtsmaßnahmen die Rückschlag- und Reaktionskräfte beherrschen.
- b) **Bringen Sie Ihre Hand nie in die Nähe sich drehender Einsatzwerkzeuge.** Das Einsatzwerkzeug kann sich beim Rückschlag über Ihre Hand bewegen.
- c) **Meiden Sie mit Ihrem Körper den Bereich, in den das Elektrowerkzeug bei einem Rückschlag bewegt wird.** Der Rückschlag treibt das Elektrowerkzeug in die Richtung entgegengesetzt zur Bewegung der Schleifscheibe an der Blockierstelle.
- d) **Arbeiten Sie besonders vorsichtig im Bereich von Ecken, scharfen Kanten usw. Verhindern Sie, dass Einsatzwerkzeuge vom Werkstück zurückprallen und verklemmen.** Das rotierende Einsatzwerkzeug neigt bei Ecken, scharfen Kanten oder wenn es abprallt dazu, sich zu verklemmen. Dies verursacht einen Kontrollverlust oder Rückschlag.
- e) **Verwenden Sie kein Ketten- oder gezähntes Sägeblatt.** Solche Einsatzwerkzeuge verursachen häufig einen Rückschlag oder den Verlust der Kontrolle über das Elektrowerkzeug.

Elektrische Sicherheit



Achten Sie stets darauf, dass die Spannung der Stromversorgung mit der Spannung auf dem Typenschild übereinstimmt.

- Verwenden Sie die Maschine nicht, wenn das Netzkabel oder der Netzstecker beschädigt ist. Wenn das Netzkabel dieses Elektrowerkzeugs beschädigt ist, muss es durch ein speziell vorbereitetes Netzkabel ersetzt werden, das über den Kundendienst erhältlich ist.
- Verwenden Sie nur Verlängerungskabel, die für die Leistungsaufnahme der Maschine geeignet sind und eine Mindestaderstärke von 1,5 mm² haben. Falls Sie eine Kabeltrommel verwenden, rollen Sie das Kabel immer vollständig ab.

2. ANGABEN ZUM WERKZEUG

Verwendungszweck

Diese Maschine ist zum Polieren und Bürsten von metallischen und beschichteten Oberflächen.

TECHNISCHE DATEN

Modellnummer	PM507AC / S_PM507AC
Netzspannung	230-240V~
Frequenz	50Hz
Leistung	400W
Leerlaufdrehzahl	2000-6800/min
Scheibendurchmesser	75 mm / 50 mm
Gewicht	1,5 kg
Schalldruckpegel L_{PA}	80 dB(A), K= 3 dB(A)
Schallleistungspegel L_{WA}	91 dB(A), K= 3 dB(A)
Schwingung $a_{h,P}$	3,08 m/s ² , K= 1.5 m/s ²

Vibrationsintensität

Die in dieser Bedienungsanleitung angegebene Vibrationsintensität wurde mit einem standardisierten Test gemäß EN 62841 gemessen. Anhand dieser Größe können Werkzeuge miteinander verglichen werden. Außerdem eignet sich diese Größe für eine erste Beurteilung der Vibrationsbelastung bei Verwendung des Werkzeugs für die angegebenen Anwendungszwecke.

- Die Schwingungsemission bei der tatsächlichen Verwendung des Elektrowerkzeugs kann je nach Art der Verwendung des Werkzeugs vom angegebenen Gesamtwert abweichen;
- Es ist notwendig, Sicherheitsmaßnahmen zum Schutz des Bedieners zu ermitteln, die auf einer Einschätzung der Exposition unter den tatsächlichen Einsatzbedingungen beruhen (dabei sind alle Teile des Betriebszyklus zu berücksichtigen, z. B. die Zeiten, in denen das Werkzeug ausgeschaltet ist und in denen es im Leerlauf läuft, zusätzlich zur Auslösezeit).

Schützen Sie sich vor den Auswirkungen der Vibration durch Wartung des Werkzeugs und des Zubehörs, halten Sie Ihre Hände warm, und organisieren Sie Ihren Arbeitsablauf.

BESCHREIBUNG

Die Buchstaben und Ziffern im folgenden Text verweisen auf die Abbildungen auf Seite 2.

1. Ein-/Aus-Schalter
2. Geschwindigkeitseinstellrad
3. Griff
4. Trägerplatte
5. Polierauflage
6. Schraubenschlüssel
7. Spindel

3. MONTAGE



Schalten Sie die Maschine vor der Montage aus und ziehen Sie den Netzstecker aus der Steckdose.

Anbringen und Entfernen von Zubehör (Abb. A, B)

Stellen Sie sicher, immer das richtige Zubehör für das jeweilige Material zu verwenden. Verwenden Sie nur unbeschädigtes und sauberes Polierzubehör.

Trägerplatte

1. Legen Sie die Maschine auf ihre Rückseite.
2. Setzen Sie den Schraubenschlüssel (6) so an, dass er in die Abflachungen an der Spindel (7) eingreift. Es kann erforderlich sein, die Trägerplatte (4) etwas zu drehen, um die Abflachungen an der Spindel (7) freizulegen.
3. Halten Sie die Spindel (7) mit dem Schraubenschlüssel (5) fest und drehen Sie gleichzeitig die Trägerplatte (4) (von Hand) im Uhrzeigersinn, bis sie fest sitzt.

Polierpad

1. Legen Sie die Maschine auf ihre Rückseite.
2. Drücken Sie das Polierpad (5) fest auf das Klettband der Trägerplatte (4).

Zum Entfernen eines Pads (5) ziehen Sie dieses einfach von der Trägerplatte (4) ab.

4. BETRIEB

Ein- und Ausschalten (Abb. A)

- Um die Maschine einzuschalten, schieben Sie den Ein-/Aus-Schalter (1) nach vorne.
- Um die Maschine auszuschalten, schieben Sie den Ein-/Aus-Schalter (1) nach hinten.

Einstellung der Geschwindigkeit (Abb. A)

Das Geschwindigkeitseinstellrad (2) wird zur Einstellung der Geschwindigkeit verwendet. Das Geschwindigkeitseinstellrad (2) kann auf 6 Positio-

nen eingestellt werden. Die ideale Geschwindigkeit hängt vom Einsatz sowie von dem zu bearbeitenden Material ab.



Stellen Sie die Geschwindigkeit nicht während des Gebrauchs ein.

- Drehen Sie das Geschwindigkeitseinstellrad (2) auf die erforderliche Position.

5. WARTUNG



Schalten Sie die Maschine vor der Reinigung und Wartung immer aus und ziehen Sie den Netzstecker aus der Steckdose.

Reinigen Sie das Werkzeuggehäuse regelmäßig mit einem weichen Lappen, vorzugsweise nach jeder Verwendung. Stellen Sie sicher, dass die Lüftungsöffnungen frei von Staub und Schmutz sind. Entfernen Sie anhaftenden Schmutz mit einem weichen Lappen, der leicht mit Seifenwasser befeuchtet wurde. Verwenden Sie keine Lösungsmittel wie Benzin, Alkohol, Ammoniak usw., da Chemikalien dieser Art die Kunststoffteile beschädigen.

UMWELTSCHUTZ



Schadhafte und/oder zu entsorgende elektrische oder elektronische Werkzeuge und Geräte müssen an den dafür vorgesehenen Recycling-Stellen abgegeben werden.

Nur für EG-Länder

Entsorgen Sie Elektrowerkzeuge nicht über den Hausmüll. Entsprechend der EU-Richtlinie 2012/19/EG über Elektro- und Elektronik-Altgeräte sowie der Umsetzung in nationales Recht müssen Elektrowerkzeuge, die nicht mehr im Gebrauch sind, getrennt gesammelt und umweltschonend entsorgt werden.

GARANTIE

VONROC-Produkte werden nach den höchsten Qualitätsstandards entwickelt und sind für den gesetzlich festgelegten Zeitraum, ausgehend von dem ursprünglichen Kaufdatum, garantiert frei von Fehlern in Material und Ausführung. Sollte das Produkt in diesem Zeitraum aufgrund von Material-

und/oder Verarbeitungsmängeln Fehler aufweisen, wenden Sie sich bitte direkt an VONROC Kundendienst.

Folgende Umstände sind von der Garantie ausgeschlossen:

- Reparaturen und oder Änderungen an der Maschine, die durch nicht-autorisierte Servicetechniken vorgenommen oder versucht wurden.
- Normale Abnutzung und Verschleiß.
- Das Werkzeug wurde übermäßig beansprucht, missbräuchlich verwendet oder falsch gewartet.
- Es wurden keine Original-Ersatzteile verwendet.

Dies stellt die einzige Gewährleistung des Unternehmens dar, sowohl ausdrücklich als auch implizit. Es gibt keine anderen ausdrücklichen oder stillschweigenden Garantien, die über das hier Genannte hinausgehen, einschließlich der stillschweigenden Garantien der Marktgängigkeit oder Eignung für einen bestimmten Zweck. In keinem Fall ist VONROC haftbar für Neben- oder Folgeschäden. Die Rechtsmittel des Händlers beschränken sich auf Reparatur oder Ersatz fehlerhafter Einheiten oder Teile.

Am Produkt und am Benutzerhandbuch können Änderungen vorgenommen werden. Die technischen Daten können sich ohne Vorankündigung ändern.

1. VEILIGHEIDSVOORSCHRIFTEN

Lees de bijgesloten veiligheidswaarschuwingen, de aanvullende veiligheidswaarschuwingen en de instructies. Het niet opvolgen van de veiligheidswaarschuwingen kan elektrische schokken, brand en/of ernstig letsel tot gevolg hebben. Bewaar de veiligheidswaarschuwingen en instructies als naslagwerk voor later.

De volgende symbolen worden gebruikt in de gebruikershandleiding of op het product:



Lees de gebruikershandleiding.



Gevaar voor lichamelijk letsel, overlijden of schade aan de machine wanneer de instructies in deze handleiding niet worden opgevolgd.



Gevaar voor elektrische schokken.



Variabele elektronische snelheid.



Draag een stofmasker.



Draag oog- en gehoorbescherming.



Klasse II apparaat - Dubbel geïsoleerd - Een geaarde stekker is niet noodzakelijk.



Het product is in overeenstemming met de van toepassing zijnde veiligheidsnormen in de Europese richtlijnen.

ALGEMENE VEILIGHEIDSVOORSCHRIFTEN



WAARSCHUWING! Lees alle veiligheidswaarschuwingen en alle instructies. Het niet opvolgen van onderstaande instructies kan leiden tot een elektrische schok, brand en/of ernstig persoonlijk letsel.

Bewaar deze instructies.

De term "elektrisch gereedschap" in onderstaande waarschuwingen heeft betrekking op zowel apparatuur met een vaste elektriciteitskabel als op apparatuur met een accu (draadloze apparatuur).

1) Werkgebied

- a) **Zorg voor een opgeruimde en goed verlichte werkomgeving.** Rommelige en donkere

werkomgevingen leiden tot ongelukken

- b) **Gebruik elektrisch gereedschap nooit in een omgeving waar explosiegevaar bestaat, zoals in de nabijheid van ontvlambare vloeistoffen, gassen, dampen of andere stoffen.** Elektrische gereedschappen kunnen vonken veroorzaken, die deze stoffen tot ontbranding kunnen brengen.
- c) **Wanneer u elektrisch gereedschap gebruikt, houd dan kinderen en omstanders op afstand.** Wanneer u wordt afgeleid, kunt u de controle over het gereedschap verliezen.

2) Elektrische veiligheid

- a) **Stekkers van elektrische gereedschappen moeten probleemloos passen op het stopcontact. Breng nooit wijzigingen aan in of aan de stekker. Gebruik geen adapters voor geaarde elektrische gereedschappen.** Standaardstekkers en passende stopcontacten verkleinen de kans op een elektrische schok.
- b) **Voorkom lichamelijk contact met geaarde oppervlakken van bijvoorbeeld pijpen, leidingen, radiatoren, fornuizen en koelkasten.** Wanneer uw lichaam geaard is, wordt de kans op een elektrische schok groter.
- c) **Stel elektrische gereedschappen nooit bloot aan regen of vocht.** Wanneer er water binnendringt in een elektrisch gereedschap, wordt de kans op een elektrische schok groter.
- d) **Gebruik het snoer niet om het elektrisch gereedschap te dragen, te verplaatsen of de stekker uit het stopcontact te trekken. Bescherm het snoer tegen olie, warmte, scherpe randen en bewegende delen.** Beschadigde of vastzittende snoeren vergroten de kans op een elektrische schok.
- e) **Wanneer u elektrische gereedschappen buiten gebruikt, gebruik dan een verlengkabel die geschikt is voor buitengebruik.** Door een kabel te gebruiken die geschikt is voor buitengebruik, wordt de kans op een elektrische schok kleiner.
- f) **Gebruik een aardlekbeveiliging (RCD) als niet te voorkomen is dat een power tool moet worden gebruikt in een vochtige omgeving.** Gebruik van een RCD vermindert het risico van elektrische schokken.

3) Persoonlijke veiligheid

- a) **Blijf altijd alert, kijk goed wat u doet en gebruik uw gezonde verstand wanneer u een elektrisch gereedschap gebruikt. Gebruik**

- geen elektrische gereedschappen wanneer u moe bent, of drugs, alcohol of medicijnen hebt gebruikt.** Eén moment van onachtzaamheid bij het gebruik van elektrische gereedschappen kan ernstige verwondingen tot gevolg hebben.
- b) **Gebruik persoonlijke beschermingsmiddelen. Draag altijd een veiligheidsbril.** Een gepast gebruik van veiligheidsvoorzieningen, zoals een stof masker, speciale werkschoenen met antislipzolen, een veiligheidshelm en gehoorbescherming verkleinen de kans op persoonlijk letsel.
- c) **Vorkom dat het gereedschap per ongeluk wordt gestart. Zorg dat de schakelaar op de UITpositie staat, voordat u de stekker in het stopcontact steekt.** Draag elektrisch gereedschap nooit met uw vinger op de schakelaar en steek ook nooit de stekker van ingeschakelde elektrische gereedschappen in het stopcontact: dit leidt tot ongelukken.
- d) **Verwijder alle instel en andere sleutels uit het elektrisch gereedschap voordat u hem inschakelt.** Instel en andere sleutels aan een ronddraaiend onderdeel van het elektrisch gereedschap kunnen tot verwondingen leiden.
- e) **Zorg dat u nooit uw evenwicht kunt verliezen; houd altijd twee voeten stevig op de vloer.** Hierdoor kunt u het elektrisch gereedschap in onverwachte situaties beter onder controle houden.
- f) **Zorg dat u geschikte kleding draagt. Draag geen loshangende kleding of sieraden. Houd uw haar, kleding en handschoenen uit de buurt van bewegende delen.** Loshangende kleding, sieraden en lang haar kunnen vast komen te zitten in bewegende delen.
- g) **Wanneer er voorzieningen zijn voor de aansluiting van stofafzuiginstallaties, zorg dan dat ze op de juiste wijze worden aangesloten en gebruikt.** Gebruik van deze voorzieningen vermindert de gevaren die door stof worden veroorzaakt.
- h) **Denk niet dat doordat u gereedschap vaak gebruikt, u wel weet hoe het allemaal werkt en dat u de veiligheidsbeginselen voor het gebruik van het gereedschap wel kunt negeren.** Een onbezonnen actie kan in een fractie van een seconde ernstig letsel tot gevolg hebben.
- 4) **Gebruik en onderhoud van elektrisch gereedschap**
- a) **Oefen geen overmatige kracht uit op elektrisch gereedschap. Gebruik het juiste gereedschap voor uw specifieke toepassing.** Met het juiste elektrische gereedschap voert u de taak beter en veiliger uit wanneer dit op de snelheid gebeurt waarvoor het apparaat is ontworpen.
- b) **Gebruik nooit elektrisch gereedschap waarvan de AAN/UITschakelaar niet werkt.** Ieder elektrisch gereedschap dat niet kan worden in en uitgeschakeld met de schakelaar is gevaarlijk en moet worden gerepareerd.
- c) **Trek de stekker uit het stopcontact voordat u wijzigingen aanbrengt aan elektrische gereedschappen, accessoire verwisselt of het elektrisch gereedschap opbergt.** Wanneer u zich aan deze preventieve veiligheidsmaatregelen houdt, beperkt u het risico dat het gereedschap per ongeluk wordt gestart.
- d) **Berg elektrisch gereedschap dat niet in gebruik is op buiten bereik van kinderen en laat personen die niet bekend zijn met het gereedschap of deze instructies het apparaat niet gebruiken.** Elektrisch gereedschap is gevaarlijk in de handen van ongeofende gebruikers.
- e) **Zorg voor een goed onderhoud van elektrisch gereedschap. Controleer of bewegende delen op de juiste wijze zijn vastgezet. Controleer ook of er geen onderdelen defect zijn of dat er andere omstandigheden zijn die van invloed kunnen zijn op de werking van het gereedschap. Laat het gereedschap bij beschadigingen repareren vóór gebruik.** Veel ongelukken worden veroorzaakt door slecht onderhoud van het gereedschap.
- f) **Zorg dat snij en zaagwerktuigen scherp en schoon blijven.** Goed onderhouden snij en zaagwerktuigen met scherpe randen zullen minder snel vastlopen en zijn eenvoudiger onder controle te houden.
- g) **Gebruik alle elektrische gereedschappen, accessoires, bitjes etc., zoals aangegeven in deze instructies en op de wijze waarvoor het gereedschap is ontworpen. Houd daarbij rekening met de werkomstandigheden en de uit te voeren taak.** Gebruik van elektrisch gereedschap voor handelingen die afwijken van de taken waarvoor het apparaat is ontworpen kunnen leiden tot gevaarlijke situaties.
- h) **Houd handgrepen en greepoppervlakken droog, schoon en vrij van olie en vet.** Gladde handgrepen en greepoppervlakken maken veilig werken en controle over het gereedschap in onverwachte situaties onmogelijk.

5) Gebruik en onderhoud accugereedschap

- a) **Laad alleen op met de lader die door de fabrikant is gespecificeerd.** Een lader die voor een bepaalde accu geschikt is, kan brand veroorzaken wanneer deze met een andere accu wordt gebruikt.
- b) **Gebruik elektrisch gereedschap alleen met de speciaal hiervoor bedoelde accu's.** Gebruik van andere accu's kan kans op letsel en brand geven.
- c) **Wanneer de accu niet in gebruik is, houd deze dan uit de buurt van andere metalen voorwerpen zoals paperclips, munten, sleutels, spijkers, schroeven of andere kleine metalen voorwerpen die een verbinding tussen twee polen kunnen maken.** Kortsluiting tussen de accupolen kan brandwonden of brand veroorzaken.
- d) **Wanneer de accu niet juist wordt gebruikt, kan er vloeistof uit lopen; raak dit niet aan. Wanneer dit per ongeluk wel gebeurt, spoel dan met water. Wanneer de vloeistof in de ogen komt, moet u een arts raadplegen.** De vloeistof uit de accu kan irritaties of brandwonden veroorzaken.
- e) **Gebruiken niet een accu of gereedschap dat beschadigd is of gemodificeerd.** Beschadigde of gemodificeerde accu's kunnen onvoorspelbaar gedrag vertonen, wat brand, explosie of een risico van letsel met zich meebrengt.
- f) **Stel een accu over het gereedschap niet bloot aan open vuur of een uitzonderlijk hoge temperatuur.** Blootstelling aan vuur of een temperatuur hoger dan 130 °C, kan een explosie veroorzaken. NB De temperatuur van "130 °C" kan worden vervangen door de temperatuur van "265 °F".
- g) **Houd u aan alle instructies voor het laden en laad de accu of het gereedschap niet op buiten het temperatuurbereik dat in de instructies wordt aangeduid.** Op een onjuiste wijze laden of laden bij temperaturen buiten het aangeduide bereik kan de accu beschadigen en het risico van brand doen toenemen.

6) Service

- a) **Laat uw gereedschap onderhouden door een gekwalificeerde onderhoudstechnicus die alleen gebruikmaakt van identieke vervangingsonderdelen.** Dit zorgt ervoor dat de veiligheid van de powertool intact blijft.
- b) **Voer nooit servicewerkzaamheden uit aan beschadigde accu's.** Alleen de fabrikant of geautoriseerde service-providers mogen servicewerkzaamheden aan accu's uitvoeren.

AANVULLENDE VEILIGHEIDSVORSCHRIFTEN VOOR POLIJSTWERKZAAMHEDEN

- a) **Dit elektrische gereedschap is te gebruiken als polijstmachine. Neem alle veiligheidsvoorschriften, aanwijzingen, afbeeldingen en gegevens die u bij het gereedschap ontvangt in acht.** Als u de volgende aanwijzingen niet in acht neemt, kunnen een elektrische schok, brand en/of ernstig letsel het gevolg zijn.
- b) **Dit elektrische gereedschap is niet geschikt voor slijp- en doorslijpwerkzaamheden, schuurwerkzaamheden (met schuurpapier) en werkzaamheden met draadborstels.** Toepassingen waarvoor het elektrische gereedschap niet is voorzien, kunnen gevaren en verwondingen veroorzaken.
- c) **Gebruik uitsluitend toebehoren dat door de fabrikant speciaal voor dit elektrische gereedschap is voorzien en geadviseerd.** Het feit dat u het toebehoren aan het elektrische gereedschap kunt bevestigen, waarborgt nog geen veilig gebruik.
- d) **Het toegestane toerental van het inzetgereedschap moet minstens even hoog zijn als het maximale toerental dat op het elektrische gereedschap vermeld staat.** Toebehoren dat sneller draait dan toegestaan, kan onherstelbaar beschadigd worden en wegvliegen.
- e) **De buitendiameter en de dikte van het inzetgereedschap moeten overeenkomen met de maatgegevens van het elektrische gereedschap.** Inzetgereedschappen met onjuiste afmetingen kunnen niet voldoende afgeschermd of gecontroleerd worden.
- f) **Inzetgereedschappen met schroefdraadstuk moeten nauwkeurig op de schroefdraad van de uitgaande as passen. De gatdiameter van met een flens gemonteerde inzetgereedschappen moet passen bij de opnamediameter van de flens.** Inzetgereedschappen die niet nauwkeurig op de uitgaande as van het elektrische gereedschap passen, draaien ongelijkmatig, trillen sterk en kunnen tot het verlies van de controle leiden.
- g) **Gebruik geen beschadigde inzetgereedschappen. Controleer voor het gebruik altijd inzetgereedschappen zoals slijpschijven op afsplinteringen en scheuren, steunschijven op scheuren of sterke slijtage en draadborstels op losse of gebroken draden. Als het elektrische gereedschap of het inzetgereedschap valt, dient u te controleren of het beschadigd is, of gebruik een onbeschadigd inzetgereedschap.**

Als u het inzetgereedschap hebt gecontroleerd en ingezet, laat u de machine een minuut lang met het maximale toerental lopen. Daarbij dient u en dienen andere personen uit de buurt van het ronddraaiende inzetgereedschap te blijven.

Beschadigde inzetgereedschappen breken meestal gedurende deze testtijd.

- h) **Draag persoonlijke beschermende uitrusting. Gebruik afhankelijk van de toepassing een volledige gezichtsbescherming, oogbescherming of veiligheidsbril. Draag indien van toepassing een stofmasker, een gehoorbescherming, werkhandschoenen of een speciaal schort dat kleine slijp- en metaaldeeltjes tegenhoudt.** Uw ogen moeten worden beschermd tegen wegvliegende deeltjes die bij verschillende toepassingen ontstaan. Een stof- of ademmasker moet het stof filteren dat bij de toepassing ontstaat. Als u lang wordt blootgesteld aan luid lawaai, kan uw gehoor worden beschadigd.
- i) **Let erop dat andere personen zich op een veilige afstand bevinden van de plaats waar u werkt. Iedereen die de werkomgeving betreedt, moet persoonlijke beschermende uitrusting dragen.** Brokstukken van het werkstuk of gebroken inzetgereedschappen kunnen wegvliegen en verwondingen veroorzaken, ook buiten de directe werkomgeving.
- j) **Houd het gereedschap alleen aan de geïsoleerde handvatten vast als u werkzaamheden uitvoert waarbij het inzetgereedschap verborgen stroomleidingen of de eigen stroomkabel kan raken.** Contact met een onder spanning staande leiding kan ook metalen delen van het gereedschap onder spanning zetten en tot een elektrische schok leiden.
- k) **Houd de stroomkabel uit de buurt van draaiende inzetgereedschappen.** Als u de controle over het gereedschap verliest, kan de stroomkabel worden doorgesneden of meegenomen en uw hand of arm kan in het ronddraaiende inzetgereedschap terechtkomen.
- l) **Leg het elektrische gereedschap nooit neer voordat het inzetgereedschap volledig tot stilstand is gekomen.** Het draaiende inzetgereedschap kan in contact komen met het oppervlak, waardoor u de controle over het elektrische gereedschap kunt verliezen.
- m) **Laat het elektrische gereedschap niet lopen terwijl u het draagt.** Uw kleding kan door toevallig contact met het draaiende inzetgereed-

schap worden meegenomen en het inzetgereedschap kan zich in uw lichaam boren.

- n) **Reinig regelmatig de ventilatieopeningen van het elektrische gereedschap.** De motorventilator trekt stof in het huis en een sterke ophoping van metaalstof kan elektrische gevaren veroorzaken.
- o) **Gebruik het elektrische gereedschap niet in de buurt van brandbare materialen.** Vonken kunnen deze materialen ontsteken.
- p) **Gebruik geen inzetgereedschappen waarvoor vloeibare koelmiddelen vereist zijn.** Het gebruik van water of andere vloeibare koelmiddelen kan tot een elektrische schok leiden.
- q) **De polijstkop mag geen loszittende delen hebben, in het bijzonder geen losse draden van bijvoorbeeld polijstvlacht.** Maak de draden vast of kort deze in. Losse, meedraaiende draden kunnen uw vingers meenemen of in het werkstuk vasthaken.
- r) **Druk de blokkering van de uitgaande as alleen in als het inzetgereedschap stilstaat.**

Terugslag en gerelateerde waarschuwingen

Een terugslag is een plotselinge reactie op een draaiende schijf, borstel of ander accessoire dat in contact komt met een uitsteeksel of dat klem komt te zitten. Klem komen te zitten of vastlopen leidt tot het snel overtrekken van de draaiende accessoire wat er toe kan leiden dat de oncontroleerbare machine tegen de draairichting in wordt gedwongen doordat de roterende accessoire zich afzet op de plek waar het vast zit. Wanneer bijvoorbeeld een slijpschijf stuit op iets hard in een werkstuk, dan zal de schijf in het materiaal grijpen waardoor de schijf uit het materiaal komt of zichzelf omhoog stoot. De schijf kan zowel naar de gebruiker toe schieten als er vandaan, dit is afhankelijk van de beweging van de schijf op het moment dat het contact maakte. Slijpschijven kunnen onder deze condities afbreken. Een terugslag is het resultaat van misbruik of incorrect gebruik van de machine of omstandigheden en kunnen worden voorkomen door het opvolgen van de hieronder vermelde voorzorgsmaatregelen.

- a) **Zorg voor een stevige greep op de machine en plaats uw lichaam en arm op zo'n manier dat u een terugslag kunt opvangen. Gebruik altijd de handgreep wanneer deze is bijgeleverd voor maximale controle bij een terugslag of een torsiereactie bij het starten.** De gebruiker kan, met de juiste voorzorgsmaatregelen, torsiereacties of een terugslag opvangen.

- b) **Plaats uw hand nooit naast de roterende accessoire.** De accessoire kan door een terugslag op uw hand komen.
- c) **Plaats uw lichaam niet in het gebied waar de machine door de terugslag kan komen.** De terugslag zal de machine bewegen in de tegengestelde richting van de schijf op het moment dat deze afketst.
- d) **Wees extra voorzichtig wanneer u werkt op hoeken, scherpe kanten enz. Vermijd dat de accessoire stuiter of afketst.** Hoeken, scherpe kanten of stuiteren leiden gewoonlijk tot het afketsten van de draaiende accessoire en dit kan leiden tot verlies van controle of een terugslag.
- e) **Bevestig geen houtbewerkingblad of getand zaagblad.** Zulke bladen zorgen voor frequente terugslagen en verlies van controle.

Elektrische veiligheid



Controleer altijd of de spanning van de stroomtoevoer overeenkomt met de spanning op het typeplaatje.

- Gebruik de machine niet indien het netsnoer of de netstekker zijn beschadigd. Als het netsnoer van dit elektrisch gereedschap beschadigd is, moet het worden vervangen door een speciaal gemaakt netsnoer dat kan worden verkregen bij de onderhoudsdienst.
- Gebruik uitsluitend verlengkabels die geschikt zijn voor het vermogen van de machine met een minimale dikte van 1,5 mm². Indien u een verlengkabelhaspel gebruikt, rol dan altijd de kabel volledig uit.

2. TECHNISCHE INFORMATIE

Bedoeld gebruik

Deze machine is bedoeld voor het polijsten en poetsen van metaal en gecoate oppervlakken.

TECHNISCHE SPECIFICATIES

Modelnr.	PM507AC / S_PM507AC
Spanning	230-240V~
Frequentie	50Hz
Vermogen	400W
Onbelaste snelheid	2000-6800/min
Schijfdiameter	75 mm / 50 mm
Gewicht	1,5 kg

Geluidsdrukniveau L _{PA}	80 dB(A), K= 3 dB(A)
Geluidsvermogensniveau L _{WA}	91 dB(A), K= 3 dB(A)
Vibratie ah,P	3,08 m/s ² , K= 1.5 m/s ²

Trillingsniveau

Het trillingsemisseriesniveau, dat in deze gebruiksaanwijzing wordt vermeld, is gemeten in overeenstemming met een gestandaardiseerde test volgens EN 62841; deze mag worden gebruikt om twee machines met elkaar te vergelijken en als voorlopige beoordeling van de blootstelling aan trilling bij gebruik van de machine voor de vermelde toepassingen.

- De vibratie-emissie tijdens het gebruik van het elektrisch gereedschap, kan afwijken van de verklaarde totale waarde, afhankelijk van de manieren waarop het gereedschap wordt gebruikt;
- Er moeten veiligheidsmaatregelen worden geïdentificeerd om de gebruiker te beschermen, die zijn gebaseerd op een schatting van de blootstelling bij de werkelijke gebruiksomstandigheden (rekening houdend met alle delen van de gebruikscyclus, zoals de momenten waarop het gereedschap uitgeschakeld is en wanneer het stand-by staat, naast de tijd dat het in werking is).

Bescherm uzelf tegen de gevolgen van trilling door de machine en de accessoires te onderhouden, uw handen warm te houden en uw werkwijze te organiseren.

BESCHRIJVING

De nummers in de tekst verwijzen naar de diagrammen op pagina 2.

1. Aan/uit-schakelaar
2. Instelwiel toerental
3. Handgreep
4. Basisplaat
5. Polijstschijf
6. Steeksleutel
7. As

3. ASSEMBLAGE



Schakel voor assemblage altijd de machine uit en verwijder de netstekker uit het stopcontact.

Accessoires monteren en verwijderen (Afb. A, B)

Gebruik vooral het juiste accessoire voor het te behandelen materiaal. Gebruik alleen onbeschadigde en schone polijst accessoires.

Basisplaat

1. Plaats de machine op z'n rug.
2. Plaats de steeksleutel (6) tegen de vlakke delen van de as (7). Misschien moet u de basisplaat (4) draaien om de vlakke zijden van de as (7) te zien.
3. Terwijl u de as (7) met de sleutel (5) vasthoud, draait u de basisplaat (4) rechtsom (met de hand) om deze vast te draaien.

Polijstkussen

1. Plaats de machine op z'n rug.
2. Druk het polijstkussen (5) stevig op het klittenband van de basisplaat (4).

U kunt een kussen (5) verwijderen door het gewoon van de basisplaat (4) te trekken.

4. BEDIENING

In- en uitschakelen (Fig. A)

- Om de machine in te schakelen, schuift u de aan/uit-schakelaar (1) naar voren.
- Om de machine in te schakelen, schuift u de aan/uit-schakelaar (1) naar achteren.

Instellen van de snelheid (Fig. A)

Het instelwiel voor het toerental (2) wordt gebruikt voor het instellen van de snelheid. Het instelwiel voor het toerental (2) kan in 6 posities worden ingesteld. De ideale snelheid is afhankelijk van de toepassing en van het te bewerken materiaal.



Stel de snelheid niet in tijdens gebruik.

- Draai het instelwiel voor het toerental (2) naar de gewenste positie.

5. ONDERHOUD



Schakel voor reiniging en onderhoud altijd de machine uit en verwijder de netstekker uit het stopcontact.

Reinig de machinebehuizing regelmatig met een zachte doek, bij voorkeur iedere keer na gebruik. Zorg dat de ventilatiesleuven vrij van stof en vuil zijn. Gebruik bij hardnekkig vuil een zachte doek bevochtigd met zeepwater. Gebruik geen oplosmiddelen als benzine, alcohol, ammonia, etc. Dergelijke stoffen beschadigen de kunststof onderdelen.

MILIEU



Defecte en/of afgedankte elektrische of elektronische gereedschappen dienen ter verwerking te worden aangeboden aan een daarvoor verantwoordelijke instantie.

Uitsluitend voor EG-landen

Werp elektrisch gereedschap niet weg bij het huisvuil. Conform de Europese Richtlijn 2012/19/EG voor Afgedankte Elektrische en Elektronische Apparatuur en de implementatie ervan in nationaal recht moet niet langer te gebruiken elektrisch gereedschap gescheiden worden verzameld en op een milieuvriendelijke wijze worden verwerkt.

GARANTIE

VONROC producten zijn ontworpen volgens de hoogste kwaliteitsstandaarden en gegarandeerd vrij van defecten, zowel materieel als fabrieksfouten, tijdens de wettelijk vastgestelde garantieperiode vanaf de eerste aankoopdatum. Mocht het product tijdens deze periode gebreken vertonen veroorzaakt door defecte materialen en/of fabrieksfouten, neem dan rechtstreeks contact op met VONROC.

De volgende situaties vallen niet onder de garantie:

- Er zijn reparaties of aanpassingen aan de machine uitgevoerd, of er is een poging daartoe ondernomen, door een nietgeautoriseerd servicecentrum.
- Normale slijtage.
- De machine is misbruikt, verkeerd gebruikt of slecht onderhouden.
- Er zijn niet-originele reserveonderdelen gebruikt.

Dit vormt de enige garantie opgesteld door het bedrijf zowel expliciet als impliciet. Er bestaan geen andere garanties expliciet of impliciet welke verder gaan dan deze garantie, inclusief impliciete garanties van verkoopbaarheid en geschiktheid voor bepaalde doeleinden. In geen enkel geval kan VONROC aansprakelijk worden gesteld voor incidentele schade of gevolgschade. Reparaties van dealers zijn gelimiteerd tot de reparatie of vervanging van defecte producten of onderdelen.

Het product en de gebruikershandleiding zijn onderhevig aan wijzigingen. Specificaties kunnen zonder opgaaf van redenen worden gewijzigd.

1. CONSIGNES DE SÉCURITÉ

En plus des avertissements de sécurité suivants, veuillez également lire les avertissements de sécurité additionnels ainsi que les instructions. Le non-respect des avertissements de sécurité et des instructions peut entraîner une décharge électrique, un incendie et/ou des blessures graves. Veuillez conserver les avertissements de sécurité et les instructions pour consultation ultérieure.

Les symboles suivants sont utilisés dans le manuel d'utilisation ou apposés sur le produit:



Lisez le manuel d'utilisation.



Signale un risque de blessures, un danger mortel ou un risque d'endommagement de l'outil en cas de non-respect des instructions de ce manuel.



Risque de décharge électrique.



Variateur électronique de vitesse.



Portez un masque anti-poussière.



Protégez-vous les yeux et les oreilles.



Machine de classe II - Double isolation - Vous n'avez pas besoin de prise avec mise à la terre.



Le produit est conforme aux normes de sécurité en vigueur spécifiées dans les directives européennes.

CONSIGNES GÉNÉRALES DE SÉCURITÉ



AVERTISSEMENT! Veuillez lire l'intégralité des avertissements de sécurité et des instructions. Le nonrespect de toutes les instructions indiquées cidessous peut entraîner un risque de choc électrique, d'incendie et/ou de blessures graves.

Conservez ces instructions.

Le terme "appareil électrique" mentionné dans tous les avertissements cidessous se rapporte à un appareil électrique qui se branche au réseau électrique (grâce à un câble d'alimentation) ou à un appareil électrique (sans fil) fonctionnant grâce à une batterie.

1) Espace de travail

- a) **Veillez toujours à garder votre espace de travail propre et bien éclairé.** Les espaces mal rangés et sombres peuvent être la cause d'accidents.
- b) **N'utilisez pas les appareils électriques dans des environnements susceptibles d'explosion, par exemple en présence de liquides inflammables, de gaz ou de particules.** Les appareils électriques provoquent des étincelles qui peuvent enflammer les particules des émanations.
- c) **Veillez à garder éloignés les enfants et les personnes se trouvant dans votre voisinage, lors de l'utilisation d'un appareil électrique.** Les distractions peuvent vous faire perdre le contrôle de l'appareil.

2) Mesures de sécurité électriques

- a) **Les prises des appareils électriques doivent être raccordées à la prise murale correspondante. Ne modifiez jamais la prise de l'appareil, de quelque façon que ce soit. N'utilisez pas d'adaptateurs qui mettent les appareils électriques à la terre (mise à la masse).** Des prises non modifiées et branchées à la prise murale correspondante réduiront les risques de choc électrique.
- b) **Évitez le contact direct avec les surfaces mises à la terre ou mises à la masse comme les canalisations, les radiateurs, les cuisinières et les réfrigérateurs.** En effet, le risque de choc électrique s'accroît si votre corps est mis à la terre ou à la masse.
- c) **N'utilisez pas d'outils électriques dans des environnements pluvieux ou humides.** Si de l'eau s'introduit dans un appareil électrique, le risque de choc électrique augmentera.
- d) **N'utilisez pas le câble de manière abusive. N'utilisez jamais le câble pour transporter, tirer ou débrancher l'appareil électrique. Veillez à garder le câble éloigné des sources de chaleur, des huiles, des rebords coupants ou des pièces actionnées.** Les câbles endommagés ou entremêlés augmentent le risque de choc électrique.
- e) **Lorsque un appareil est utilisé à l'extérieur, utilisez uniquement un câble prolongateur prévu à cet effet.** L'utilisation d'un câble à usage extérieur réduit le risque de choc électrique.
- f) **Si vous êtes contraint d'utiliser un outil électrique dans un environnement humide, utilisez une alimentation protégée par un dispositif à courant résiduel (RCD).** L'utilisation d'un RCD réduit le risque de décharge électrique.

- 3) Sécurité personnelle**
- a) **Restez vigilant, gardez un œil sur ce que vous faites et utilisez votre sens commun lors de l'utilisation d'un appareil électrique. N'utilisez pas un appareil électrique si vous êtes fatigué ou si vous êtes sous l'influence de drogues, d'alcool ou si vous prenez des médicaments.** Un moment d'inattention lors de l'utilisation des appareils électriques peut entraîner des blessures graves.
 - b) **Utilisez un équipement de protection personnelle. Protégez-vous toujours les yeux.** Les équipements de protection, tels qu'un masque à poussière, des chaussures antidérapantes, des protections auditives ou un casque de sécurité, utilisés dans de bonnes conditions, réduiront le risque de blessures.
 - c) **Prévenez tout démarrage involontaire. Assurez-vous que l'interrupteur est sur la position "arrêt avant de brancher l'appareil.** En effet, le transport des appareils électriques en gardant vos doigts sur l'interrupteur, ou le branchement de ces appareils en ayant l'interrupteur sur "marche accidents.
 - d) **Retirez les clés de réglage ou les clés de vis de réglage avant d'allumer l'appareil électrique.** Une clé de vis de réglage ou une clé, laissée sur une pièce en mouvement de l'appareil électrique, peut entraîner des lésions corporelles.
 - e) **Ne pas se précipiter. Gardez toujours vos pieds à plat et gardez votre équilibre.** Ceci permet de mieux contrôler l'appareil électrique dans des situations imprévues.
 - f) **Habillez-vous convenablement. Ne portez pas de vêtements lâches ou de bijoux. Gardez vos cheveux, vêtements et gants éloignés des pièces actionnées.** En effet, ces derniers peuvent être pris dans les pièces en action.
 - g) **Si les appareils sont fournis pour la connexion des équipements d'évacuation et de récupération de la poussière, assurez-vous que ces derniers soient correctement connectés et utilisés.** L'utilisation de ces appareils peut réduire les risques liés à la poussière.
 - h) **Ne pensez pas être familiarisé avec l'outil après l'avoir utilisé à de nombreuses reprises, au point de ne plus rester vigilant et d'en oublier les consignes de sécurité.** Toute action imprudente peut engendrer de graves blessures en une fraction de seconde.
- 4) Utilisation et entretien d'un appareil électrique**
- a) **Ne forcez pas l'appareil électrique. Utilisez l'appareil électrique adéquat pour votre application.** Un appareil électrique correctement choisi assurera un meilleur travail et un travail sans danger, au rythme auquel il a été conçu.
 - b) **N'utilisez pas l'appareil électrique si l'interrupteur marche/arrêt ne fonctionne pas.** Un appareil électrique qui ne peut pas être commandé par l'interrupteur de contrôle est dangereux et doit être réparé.
 - c) **Débranchez la prise du bloc d'alimentation avant d'effectuer des réglages, de changer des accessoires, ou de ranger les appareils électriques.** Ces mesures de sécurité préventives réduiront le risque de démarrage involontaire de l'appareil électrique.
 - d) **Rangez les appareils électriques arrêtés hors de la portée des enfants et ne laissez aucune personne, non familiarisée avec l'outil ou ces instructions, utiliser l'appareil électrique.** Les appareils électriques sont dangereux entre les mains d'utilisateurs non formés.
 - e) **Entretenez les appareils électriques. Vérifiez tout défaut d'alignement et l'enchaînement des pièces actionnées, la rupture de ces dernières, et les autres conditions qui peuvent affecter le fonctionnement des appareils électriques. En cas de dommages, faites réparer l'appareil électrique avant de le réutiliser.** Nombreux sont les accidents provoqués par des appareils électriques mal entretenus.
 - f) **Veillez à garder les outils coupants aiguisés et propres.** Des outils coupants correctement entretenus avec des lames aiguisées sont moins susceptibles de se bloquer et sont plus faciles à contrôler.
 - g) **Utilisez l'appareil électrique, les accessoires et les embouts, etc., conformément à ces instructions et de la manière prévue pour le type spécifique de l'appareil électrique, en prenant en compte les conditions de travail et le travail à effectuer.** L'utilisation de l'appareil électrique dans des applications différentes de celles prévues peut entraîner des situations dangereuses.
 - h) **Gardez les poignées et les surfaces de préhension sèches, propres et exemptes d'huile et de graisse.** Des poignées et des surfaces de préhension glissantes ne permettent pas de manipuler et de contrôler l'outil correctement

en cas de situations inattendues.

- h) **Gardez les poignées et les surfaces de préhension sèches, propres et exemptes d'huile et de graisse.** Des poignées et des surfaces de préhension glissantes ne permettent pas de manipuler et de contrôler l'outil correctement en cas de situations inattendues.
- 5) **Utiliser et soigner les outils à batterie**
- a) **Rechargez la batterie uniquement avec le chargeur spécifié par le fabricant.** Un chargeur adapté à une certaine batterie peut être cause de danger d'incendie quand on l'utilise avec une batterie différente.
- b) **Utilisez chaque outil uniquement avec la batterie conçue pour lui.** L'utilisation de toute autre batterie peut être cause de danger de blessure ou d'incendie.
- c) **Lorsque une batterie n'est pas en usage, gardez-la hors d'atteinte d'objets métalliques tels que les trombones, pièces de monnaie, clés, clous, vis et autres petits objets métalliques pouvant faire le contact entre une borne et l'autre.** Un court-circuit entre les bornes de la batterie peut être cause de brûlures ou d'incendie.
- d) **Dans des circonstances extrêmes, du liquide peut gicler hors de la batterie ; évitez tout contact. En cas de contact accidentel, rincez à l'eau. En cas de contact du liquide avec les yeux, consultez un médecin.** Le liquide qui gicle d'une batterie peut causer irritations ou brûlures.
- e) **N'utilisez pas un bloc-batterie ou un outil endommagé ou modifié.** Une batterie endommagée ou altérée peut avoir un comportement imprévisible qui peut conduire à un incendie, une explosion ou un risque de blessure.
- f) **N'exposez pas le bloc-batterie ou l'outil au feu ou à des températures excessives.** L'exposition au feu ou à des températures dépassant 130 °C peut provoquer une explosion. REMARQUE La température de "130°C" peut être remplacé par la température de "265°F".
- g) **Respectez les instructions pour la charge et ne rechargez pas le bloc-batterie ou l'outil à une plage de températures hors de celle spécifiée dans les instructions.** Une charge mal effectuée ou à des températures hors de la plage spécifiée peut endommager la batterie et augmente le risque d'incendie.

6) Maintenance

- a) **L'entretien de votre outil électrique doit être confié à un réparateur qualifié qui utilise uniquement des pièces de rechange identiques aux pièces d'origine.** Cela permet d'assurer la sécurité de l'outil électrique.
- b) **Ne réparez jamais des blocs-batteries endommagés.** Les réparations sur les blocs-batteries ne doivent être effectuées que par le fabricant ou l'un de ses prestataires de services agréés.

AVERTISSEMENTS DE SÉCURITÉ SUPPLÉMENTAIRES POUR LES OPÉRATIONS DE POLISSAGE

- a) **Cet outil électroportatif est à utiliser comme polisseuse. Veuillez respecter toutes les consignes de sécurité, instructions, illustrations et données reçues avec l'appareil.** Si vous ne respectez pas les instructions qui suivent, vous risquez une électrocution, de provoquer un incendie et / ou des blessures graves.
- b) **Cet outil électroportatif ne permet pas de meuler, poncer avec du papier émeri, travailler avec des brosses à crins métalliques et des disques de tronçonnage.** Les formes d'utilisation non prévues de cet outil électroportatif peuvent engendrer des risques et des blessures.
- c) **Ne pas utiliser d'accessoires non conçus spécifiquement et recommandés par le fabricant d'outils.** Le simple fait que l'accessoire puisse être fixé à votre outil électrique ne garantit pas un fonctionnement en toute sécurité.
- d) **La vitesse assignée de l'accessoire doit être au moins égale à la vitesse maximale indiquée sur l'outil électrique.** Les accessoires fonctionnant plus vite que leur vitesse assignée peuvent se rompre et voler en éclat.
- e) **Le diamètre extérieur et l'épaisseur de votre accessoire doivent se situer dans le cadre des caractéristiques de capacité de votre outil électrique.** Les accessoires dimensionnés de façon incorrecte ne peuvent pas être protégés ou commandés de manière appropriée.
- f) **Le montage fileté d'accessoires doit être adapté au filet de l'arbre de la meuleuse. Pour les accessoires montés avec des flasques, l'alésage central de l'accessoire doit s'adapter correctement au diamètre du flasque.** Les accessoires qui ne correspondent pas aux éléments de montage de l'outil électrique seront

en déséquilibre, vibreront de manière excessive et pourront provoquer une perte de contrôle.

- g) **Ne pas utiliser d'accessoire endommagé. Avant chaque utilisation examiner les accessoires comme les meules abrasives pour détecter la présence éventuelle de co-peaux et fissures, les patins d'appui pour détecter des traces éventuelles de fissures, de déchirure ou d'usure excessive, ainsi que les brosses métalliques pour détecter des fils desserrés ou fissurés. Si l'outil électrique ou l'outil monté chutent, vérifiez s'ils sont endommagés ou utilisez un outil intact. Après avoir contrôlé et monté l'outil, faites tourner l'appareil pendant une minute à la vitesse maximale en vous tenant, vous et d'autres personnes proches de vous, loin du plan de l'outil installé en train de tourner.** Les accessoires endommagés seront normalement détruits pendant cette période d'essai.
- h) **Porter un équipement de protection individuelle. En fonction de l'application, utiliser un écran facial, des lunettes de sécurité ou des verres de sécurité. Si nécessaire, portez un masque à poussière, un casque anti-bruit, des gants de protection ou une blouse spéciale faisant barrage aux particules poncées et de matière.** La protection oculaire doit être capable d'arrêter les débris volants produits par les diverses opérations. Le masque antipoussières ou le respirateur doit être capable de filtrer les particules produites par vos travaux. L'exposition prolongée aux bruits de forte intensité peut provoquer une perte de l'audition.
- i) **Maintenir les personnes présentes à une distance de sécurité par rapport à la zone de travail. Toute personne entrant dans la zone de travail doit porter un équipement de protection individuelle.** Des fragments de pièce à usiner ou d'un accessoire cassé peuvent être projetés et provoquer des blessures en dehors de la zone immédiate d'opération.
- j) **Ne tenez l'appareil que par ses poignées isolantes lors de travaux au cours desquels l'outil installé risque de toucher des câbles électriques invisibles ou le cordon d'alimentation de l'appareil.** Le contact avec une ligne électrique peut mettre les pièces métalliques sous tension et provoquer une électrocution.
- k) **Placer le câble éloigné de l'accessoire de rotation.** Si vous perdez le contrôle, le câble peut être coupé ou subir un accroc et votre main ou votre

bras peut être tiré dans l'accessoire de rotation.

- l) **Ne jamais reposer l'outil électrique avant que l'accessoire n'ait atteint un arrêt complet.** L'accessoire de rotation peut agripper la surface et arracher l'outil électrique hors de votre contrôle.
- m) **Ne pas faire fonctionner l'outil électrique en le portant sur le côté.** Un contact accidentel avec l'accessoire de rotation pourrait accrocher vos vêtements et attirer l'accessoire sur vous.
- n) **Nettoyer régulièrement les orifices d'aération de l'outil électrique.** Le ventilateur du moteur attirera la poussière à l'intérieur du boîtier et une accumulation excessive de poudre de métal peut provoquer des dangers électriques.
- o) **Ne pas faire fonctionner l'outil électrique à proximité de matériaux inflammables.** Des étincelles pourraient enflammer ces matériaux.
- p) **N'utilisez jamais d'outils requérant un liquide de refroidissement.** L'utilisation d'eau ou d'autres liquides de refroidissement peut provoquer une électrocution.
- q) **Ne permettez jamais que des parties de la coiffe à polir se détachent, en particulier les cordelettes de fixation.** Rangez ou raccourcissez les cordelettes de fixation. Les cordelettes de fixation mal fixées et entrées elles aussi en rotation peuvent happer vos doigts ou se prendre dans la pièce
- r) **N'appuyez sur le dispositif de blocage de la broche qu'une fois que l'outil s'est immobilisé.**

Rebonds et mises en garde correspondantes

Le rebond est une réaction soudaine au pincement ou à l'accrochage d'une meule rotative, d'un patin d'appui, d'une brosse ou de tout autre accessoire. Le pincement ou l'accrochage provoque un blocage rapide de l'accessoire en rotation qui, à son tour, contraint l'outil électrique hors de contrôle dans le sens opposé de rotation de l'accessoire au point du grippage. Par exemple, si une meule abrasive est accrochée ou pincée par la pièce à usiner, le bord de la meule qui entre dans le point de pincement peut creuser la surface du matériau, provoquant des sauts ou l'expulsion de la meule. La meule peut sauter en direction de l'opérateur ou encore en s'en éloignant, selon le sens du mouvement de la meule au point de pincement. Les meules abrasives peuvent également se rompre dans ces conditions. Le rebond résulte d'un mauvais usage de l'outil et/ou de procédures ou de conditions de fonctionnement incorrectes et peut être évité en prenant les précautions appropriées spécifiées ci-dessous.

- a) **Maintenir fermement l'outil électrique et placer votre corps et vos bras pour vous permettre de résister aux forces de rebond. Toujours utiliser une poignée auxiliaire, le cas échéant, pour une maîtrise maximale du rebond ou de la réaction de couple au cours du démarrage.** L'opérateur peut maîtriser les couples de réaction ou les forces de rebond, si les précautions qui s'imposent sont prises.
- b) **Ne jamais placer votre main à proximité de l'accessoire en rotation.** L'accessoire peut effectuer un rebond sur votre main.
- c) **Ne pas vous placer dans la zone où l'outil électrique se déplacera en cas de rebond.** Le rebond pousse l'outil dans le sens opposé au mouvement de la meule au point d'accrochage.
- d) **Apporter un soin particulier lors de travaux dans les coins, les arêtes vives etc. Eviter les rebondissements et les accrochages de l'accessoire.** Les coins, les arêtes vives ou les rebondissements ont tendance à accrocher l'accessoire en rotation et à provoquer une perte de contrôle ou un rebond.
- e) **Ne pas fixer de chaîne coupante, de lame de sculpture sur bois, de chaîne coupante ni de lame de scie dentée.** De telles lames provoquent des rebonds fréquents et des pertes de contrôle.

Sécurité électrique



Vérifiez si la tension d'alimentation électrique correspond bien à celle de la plaque signalétique.

- N'utilisez pas la machine si le câble secteur ou la fiche secteur est endommagé. Si le cordon d'alimentation de cet outil électrique est endommagé, il doit être remplacé par un cordon électrique spécifiquement préparé et fourni par une société de service.
- Utilisez uniquement des rallonges adaptées à la puissance nominale de la machine et d'une section minimum de 1,5 mm². Si vous utilisez une bobine de rallonge, déroulez toujours complètement le câble.

2. INFORMATIONS RELATIVES À LA MACHINE

Utilisation prévue

Cette machine est conçue pour le polissage et le brossage du métal et des surfaces revêtues.

SPÉCIFICATIONS TECHNIQUES

N° de modèle	PM507AC / S_PM507AC
Tension	230-240V~
Fréquence	50Hz
Puissance	400W
Vitesse à vide	2000-6800/min
Diamètre disque	75 mm / 50 mm
Poids	1,5 kg
Niveau de pression acoustique L _{PA}	80 dB(A), K= 3 dB(A)
Niveau d'intensité acoustique L _{WA}	91 dB(A), K= 3 dB(A)
Vibration ah,P	3,08 m/s ² , K= 1.5 m/s ²

Niveau de vibrations

Le niveau des vibrations émises, indiqué dans ce manuel, a été mesuré conformément à la procédure décrite par la norme EN 62841. Il peut être utilisé pour comparer deux outils ou pour réaliser une estimation préalable de l'exposition aux vibrations lors de l'utilisation de l'outil pour les applications mentionnées.

- En fonction de la manière dont l'outil électrique est utilisé, les vibrations réellement émises pendant son utilisation peuvent varier par rapport à la valeur totale déclarée ;
- Afin de protéger l'opérateur, il est nécessaire d'identifier des mesures de sécurité basées sur une estimation de l'exposition dans les conditions réelles d'utilisation (en prenant en compte toutes les parties du cycle de fonctionnement, comme les durées pendant lesquelles l'outil est éteint ou qu'il fonctionne à vide, en plus des durées de déclenchement).

Protégez-vous contre les effets des vibrations par un entretien correct de l'outil et de ses accessoires, en vous échauffant les mains et en organisant vos rythmes de travail.

DESCRIPTION

Les numéros dans le texte se rapportent aux schémas de la page 2.

1. Bouton de marche/arrêt
2. Molette de réglage de vitesse
3. Poignée
4. Plaque support

5. Disque de polissage
6. Clé
7. Axe

3. MONTAGE



Avant le montage, mettez toujours la machine hors tension et débranchez la fiche de la prise secteur.

Installer et retirer les accessoires (Fig. A, B)

Assurez-vous d'utiliser le bon accessoire en fonction de la matière à traiter. N'utilisez que des accessoires de polissage intacts et propres.

Plaque support

1. Positionnez la machine à l'envers.
2. Positionnez la clé (6) pour saisir les plats sur l'axe (7). Il est possible qu'il faille tourner la plaque support (4) pour accéder aux plats de l'axe (7).
3. Tout en tenant l'axe (7) à l'aide de la clé (5), tournez la plaque support (4) dans le sens des aiguilles d'une montre (à la main) pour la serrer.

Patin de polissage

1. Positionnez la machine à l'envers.
2. Appuyez fermement le patin de polissage (5) sur la plaque support autoagrippante (4).

Pour retirer le patin (5), tirez simplement dessus pour le retirer de la plaque support (4).

4. FONCTIONNEMENT

Mise en marche et arrêt (fig. A)

- Pour mettre la machine en marche, avancez le bouton marche/arrêt (1).
- Pour arrêter la machine, reculez l'interrupteur marche/arrêt (1).

Réglage de la vitesse (fig. A)

La molette de réglage de vitesse (2) sert à ajuster la vitesse. La molette de réglage de vitesse (2) peut adopter 6 positions. La vitesse idéale dépend de l'application et du matériau ouvré.



Ne réglez pas la vitesse pendant l'utilisation.

- Sélectionnez la vitesse souhaitée au moyen de la molette de réglage de vitesse (2).

5. ENTRETIEN



Avant le nettoyage et la maintenance, mettez toujours la machine hors tension et débranchez la fiche de la prise secteur.

Nettoyez le corps de la machine régulièrement au moyen d'un chiffon doux, de préférence après chaque utilisation. Vérifiez que les ouvertures d'aération ne sont pas obstruées ni sales. Utilisez un chiffon doux légèrement humidifié avec de la mousse de savon pour nettoyer les taches persistantes. N'utilisez pas de produits de nettoyage tels que l'essence, l'alcool, l'ammoniac, etc.; ces produits peuvent endommager les parties synthétiques.

ENVIRONNEMENT



Les équipements électroniques ou électriques défectueux ou destinés à être mis au rebut doivent être déposés aux points de recyclage appropriés.

Uniquement pour les pays de l'UE

Ne jetez pas les outils électriques avec les déchets domestiques. Selon la Directive européenne 2012/19/CE relative aux déchets d'équipements électriques et électroniques et sa mise en œuvre dans le droit national, les outils électriques hors d'usage doivent être collectés séparément et mis au rebut de manière écologique.

GARANTIE

Les produits VONROC sont développés aux plus hauts standards de qualité et ils sont garantis contre les défauts de pièces et de main d'oeuvre pendant la durée légale stipulée à partir de la date d'achat d'origine du produit. En cas d'une quelconque panne du produit pendant cette durée qui serait due à un défaut matériel et/ou de main d'oeuvre, contactez directement VONROC.

Les circonstances suivantes ne sont pas prises en charge par la garantie:

- Des réparations ou altérations ont été effectuées ou tentées sur la machine par un centre de réparation non agréé.
- L'usure normale.
- L'outil a été maltraité, mal utilisé ou mal entretenu.

- Des pièces détachées non d'origine ont été utilisées.

Ceci constitue l'unique garantie accordée par la société explicitement ou implicitement. Il n'existe aucune autre garantie, explicite ou implicite, qui peut s'étendre au delà du contenu ici présent, y compris les garanties marchandes ou d'adaptation à des fins particulières. En aucun cas VONROC ne sera tenu responsable de dommages accidentels ou consécutifs. Les solutions proposées par les revendeurs devront se limiter à la réparation ou le remplacement des éléments ou pièces non conformes.

Le produit et le manuel d'utilisation sont sujets à modifications. Les spécifications peuvent changer sans préavis.

1. INSTRUCCIONES DE SEGURIDAD

Lea las advertencias de seguridad, las advertencias de seguridad adicionales y las instrucciones adjuntas. De no respetarse las advertencias de seguridad y las instrucciones, podrían producirse descargas eléctricas, incendios y/o lesiones graves. Conserve las advertencias de seguridad y las instrucciones para su posterior consulta.

Los siguientes símbolos se utilizan en el manual de usuario o en el producto:



Lea el manual de usuario.



Denota riesgo de lesiones personales, pérdida de vida o daños a la herramienta en caso de incumplimiento de las instrucciones del presente manual.



Riesgo de choque eléctrico.



Velocidad electrónica variable



Utilice siempre una máscara cuando.



*Lleve gafas de seguridad.
Lleve protección auditiva.*



Máquina de clase II - Doble aislamiento - No necesita enchufe con puesta a tierra.



El producto es conforme con las normas de seguridad vigentes en las Directivas Europeas.

INSTRUCCIONES GENERALES DE SEGURIDAD



PRECAUCIÓN! *Lea todas las advertencias de seguridad y todas las instrucciones. Si no lo hace, el uso indebido puede acarrear cortocircuitos, fuego o lesiones graves.*

Conserve estas instrucciones.

El término "herramienta eléctrica", en todas las advertencias enumeradas a continuación se refiere a su herramienta eléctrica (i nalámbrica) que funciona con una batería o a través de la red eléctrica.

1) Área de trabajo

- Trabaje en un lugar limpio y bien iluminado. Lugares no iluminados o sucios propician accidentes.

- b) **No use herramientas eléctricas donde haya riesgo de fuego o explosión, p.ej: cerca de líquidos o gases inflamables, polvo etc.** Las herramientas eléctricas producen chispas que pueden producir la ignición de partículas de humo.
- c) **Mantenga a los niños y otras personas alejados mientras utiliza la herramienta eléctrica.** Las distracciones pueden hacer que pierda el control de la herramienta.
- 2) Seguridad eléctrica**
- a) **Cerciórese de que las clavijas de la herramienta eléctrica están correctamente enchufadas. Nunca modifique la clavija. No utilice ningún adaptador para la clavija de una herramienta eléctrica con conexión a tierra.** Las clavijas que no se hayan cambiado y los enchufes adecuados reducen el riesgo de cortocircuitos.
- b) **Evite el contacto humano con superficies con conexiones a tierra como tubos metálicos, conductos, tubos de la calefacción, radiadores y refrigeradores.** El riesgo de cortocircuitos es mayor cuando el cuerpo está en contacto con el suelo.
- c) **No use herramientas eléctricas bajo la lluvia o en entornos húmedos.** Si entra agua en una herramienta eléctrica aumenta el riesgo de cortocircuito.
- d) **No utilice el cable para todo. Nunca utilice el cable para mover la máquina, empujarla o sacar la clavija del enchufe. Mantenga el cable alejado del calor, aceite, zonas cortantes o piezas en movimiento.** Los cables dañados o enredados aumentan el riesgo de cortocircuito.
- e) **Use un cable alargador impermeable adecuado para exteriores cuando trabaje con la herramienta eléctrica al aire libre.** El riesgo de cortocircuito es menor si utiliza un cable alargador adecuado para exteriores.
- f) **Si no se puede evitar el uso de la herramienta eléctrica en un lugar húmedo, use suministro protegido mediante dispositivo diferencial residual (DDR).** El uso de un DDR reduce el riesgo de choque eléctrico.
- h) **No permita que la familiaridad adquirida con el uso frecuente de las herramientas le haga confiarse e ignorar los principios de seguridad de las herramientas.** Una acción descuidada puede causar lesiones graves en una fracción de segundo.
- 3) Seguridad personal**
- a) **No se descuide, preste atención a lo que está haciendo y utilice el sentido común mientras trabaje con esta herramienta. No use herramientas eléctricas cuando esté cansado o esté bajo los efectos del alcohol, las drogas o los medicamentos.** Un momento de distracción, mientras utilice la herramienta eléctrica, puede provocar lesiones personales graves.
- b) **Use equipo de protección individual. Use siempre gafas protectoras.** El uso en condiciones apropiadas del equipo de seguridad como por ejemplo: mascarilla antipolvo, zapatos antideslizantes de seguridad, casco o protección para los oídos, disminuye el riesgo de sufrir lesiones personales.
- c) **Evite arranques involuntarios. Asegúrese de que el interruptor está en la posición de apagado antes de conectarlo a la fuente de electricidad.** Transportar herramientas eléctricas con el dedo puesto sobre el interruptor o enchufarlas con el interruptor encendido puede causar accidentes.
- d) **Quite cualquier llave de ajuste antes de encender la herramienta eléctrica.** Una llave olvidada junto a una pieza móvil de la herramienta eléctrica puede provocar lesiones personales graves.
- e) **No se estire demasiado. Mantenga siempre el equilibrio y tenga los pies en el suelo.** Esto permite un mayor control de la herramienta eléctrica en situaciones inesperadas.
- f) **Vístase apropiadamente. No lleve prendas holgadas o joyas. Mantenga su pelo, ropa y guantes alejados de las piezas móviles.** Las prendas holgadas, las joyas y el pelo largo pueden quedar atrapados en las piezas móviles.
- g) **Si se han suministrado dispositivos para la extracción y recogida de polvo asegúrese de que estos estén conectados y se utilicen correctamente.** El uso de estos dispositivos puede reducir los riesgos relacionados con el polvo.
- h) **Mantenga las asas y las superficies de agarre secas, limpias y libres de aceite y grasa.** Las asas y las superficies de agarre resbaladizas no permiten un manejo y control seguros de la herramienta en situaciones inesperadas.
- 4) Utilización y cuidados de la herramienta eléctrica**
- a) **No fuerce la herramienta eléctrica. Utilice la herramienta eléctrica adecuada para el trabajo que vaya a realizar.** Una herramienta eléctrica apropiada realizará un trabajo mejor y más

seguro si se utiliza para el objetivo con el que ha sido diseñada.

- b) **No use herramientas que no pueden encenderse o apagarse con el interruptor.** Las herramientas que ya no se puedan encender y apagar son peligrosas y deben repararse.
- c) **Desenchufe la clavija de la toma de electricidad antes de realizar modificaciones, cambiar accesorios o guardar las herramientas eléctricas.** Tales medidas de seguridad preventivas reducen el riesgo de la puesta en marcha accidental.
- d) **Mantenga a los niños alejados de una herramienta eléctrica sin utilizar y no permita a personas que no estén familiarizadas con la máquina o estas instrucciones utilizar la herramienta.** La herramienta eléctrica puede ser peligrosa cuando la utilicen personas sin experiencia.
- e) **Conserve sus herramientas cuidadosamente. Verifique cualquier desalineación o agarrotamiento de piezas móviles, piezas dañadas y cualquier otra causa, que pudiera repercutir en el buen funcionamiento de la herramienta eléctrica. Si la herramienta está estropeada, repárela antes de utilizarla.** Muchos de los accidentes están causados por un mantenimiento insuficiente del equipo eléctrico.
- f) **Mantenga las herramientas de corte limpias y afiladas.** Sierras con esquinas cortantes con un buen mantenimiento se bloquean menos y son más fáciles de controlar.
- g) **Utilice la herramienta eléctrica, accesorios y brocas etc. Siguiendo las instrucciones atendiendo al tipo de herramienta eléctrica y tenga en cuenta las condiciones de trabajo y el tipo de trabajo que se va a realizar.** Puede ser peligroso realizar trabajos con la herramienta diferentes de aquellos para los que está diseñada.

5) Uso y cuidado de las herramientas alimentadas por batería

- a) **Recargue las baterías únicamente con el cargador recomendado por el fabricante.** Un cargador que es apto para un tipo de baterías determinado puede provocar riesgo de incendio si se usa para cargar otra clase de baterías.
- b) **Use las herramientas eléctricas sólo con las baterías indicadas específicamente.** El uso de otra clase de baterías diferente puede ocasionar el riesgo de derivar en lesiones o un incendio.
- c) **Cuando el paquete de baterías no esté en uso, consérvelo retirado de objetos metálicos como**

sujetapapeles, monedas, llaves, clavos, tornillos o cualquier otro objeto metálico pequeño que pueda hacer puente entre las terminales.

El contacto entre las terminales de la batería puede causar quemaduras o incendio.

- d) **Bajo condiciones extremas de abuso la batería podría expulsar un líquido; evite todo contacto. Si se produjese contacto accidentalmente, lávese bien con agua. Si el líquido hace contacto con los ojos, consulte también al médico.** El líquido emanado de la batería puede causar irritaciones o quemaduras.
- e) **No utilice una batería o una herramienta que esté dañada o modificada.** Las baterías dañadas o modificadas pueden presentar un comportamiento impredecible y provocar un incendio, una explosión o riesgo de lesiones.
- f) **No exponga una batería o una herramienta al fuego o a temperatura excesiva.** La exposición al fuego o a temperaturas superiores a 130 °C puede provocar una explosión. NOTA La temperatura "130 °C" puede sustituirse por la temperatura "265 °F".
- g) **Siga todas las instrucciones de carga y no cargue la batería o la herramienta fuera del rango de temperatura especificado en las instrucciones.** La carga incorrecta o a temperaturas fuera del rango especificado puede causar daños a la batería y aumentar el riesgo de incendio.

6) Servicio

- a) **Haga reparar su herramienta eléctrica por una persona cualificada, usando solo piezas de repuesto idénticas.** Esto garantiza que se mantenga la seguridad de la herramienta eléctrica.
- b) **Nunca repare las baterías dañadas.** El mantenimiento de las baterías debe ser realizado solo por el fabricante o los proveedores de servicio autorizados.

ADVERTENCIAS DE SEGURIDAD ADICIONALES PARA PULIDORAS

- a) **Esta herramienta eléctrica ha sido concebida para funcionar como pulidora. Lea las advertencias de seguridad, las instrucciones, las ilustraciones y las especificaciones suministradas con la herramienta eléctrica.** Si no sigue las instrucciones detalladas abajo, pueden producirse descargas eléctricas, incendios y/o lesiones graves.
- b) **Se recomienda no realizar operaciones tales como amoladura, lijado, limpieza con cepillo de**

- alambre o corte con esta herramienta eléctrica.** El uso de la herramienta eléctrica en operaciones para las cuales no se ha diseñado puede ser peligroso y ocasionar lesiones corporales.
- c) **No use accesorios que no hayan sido especialmente diseñados por el fabricante de la herramienta y que no estén recomendados por este.** El hecho de que los accesorios puedan acoplarse a la herramienta eléctrica no garantiza un funcionamiento seguro.
- d) **La velocidad nominal del accesorio debe ser por lo menos igual a la velocidad máxima indicada en la herramienta eléctrica.** Los accesorios que funcionen más velozmente que la velocidad nominal pueden romperse y volar en pedazos.
- e) **El diámetro externo y el espesor del accesorio deben corresponder a la capacidad de potencia de la herramienta eléctrica.** Los accesorios de dimensiones incorrectas no pueden ser adecuadamente protegidos o controlados.
- f) **El montaje roscado de los accesorios debe coincidir con el eje roscado de la amoladora. En los accesorios montados por medio de bridas, el orificio del árbol del accesorio debe coincidir con el diámetro de referencia de la brida.** Los accesorios que no se adapten a las piezas metálicas de montaje de la herramienta quedarán desequilibrados, vibrarán excesivamente y pueden ocasionar la pérdida del control.
- g) **No use accesorios dañados. Antes de cada uso controle los accesorios; por ejemplo, que los discos abrasivos no tengan virutas ni fisuras, que la almohadilla de apoyo no tenga fisuras o rasgaduras y no esté excesivamente desgastada, y que los cepillos no tengan alambres sueltos o desintegrados. Si la herramienta o el accesorio se caen, compruebe si presentan daños o instale un accesorio que no esté dañado. Después de inspeccionar e instalar un accesorio, usted y las personas que estén cerca deben mantenerse alejadas del alcance del accesorio giratorio y se debe hacer funcionar la herramienta eléctrica a máxima velocidad en vacío durante un minuto.** Los accesorios dañados por lo general se separan durante este tiempo de prueba.
- h) **Use dispositivos de protección individual. Dependiendo del uso, utilice máscara facial, gafas protectoras u otro tipo de protector ocular. En su caso, use mascarilla contra el polvo, protectores auditivos, guantes y delantal de taller capaz de detener los pequeños fragmentos abrasivos o de piezas de trabajo.** La protección ocular debe ser capaz de detener los residuos volantes generados por las diferentes operaciones. La mascarilla o careta contra el polvo debe ser capaz de filtrar las partículas generadas durante el funcionamiento. La exposición prolongada al ruido intenso puede causar pérdida auditiva.
- i) **Mantenga a las personas ajenas alejadas de la zona de trabajo. Cualquier persona que entre a la zona de trabajo debe usar equipo de protección individual.** Los fragmentos de piezas de trabajo o de un accesorio roto pueden salir volando y provocar lesiones más allá de la zona inmediata de funcionamiento.
- j) **Sujete la herramienta únicamente por las superficies de agarre aisladas cuando realice alguna operación en la que el accesorio de corte pueda entrar en contacto con cables ocultos o con su propio cable.** Si el accesorio de corte entra en contacto con un cable bajo tensión, puede exponer las partes metálicas de la herramienta a tensión y ocasionar una descarga eléctrica al operador.
- k) **Coloque el cable de modo que no interfiera con el accesorio de rotación.** Si pierde el control, el cable puede cortarse o engancharse y la mano o el brazo pueden ser empujados hacia el accesorio giratorio.
- l) **Nunca deje a un lado la herramienta eléctrica hasta que el accesorio no se haya detenido completamente.** El accesorio de rotación podría enganchar la superficie y hacerle perder el control del cable de corriente.
- m) **No haga funcionar la herramienta eléctrica mientras la transporta con usted.** El contacto accidental con el accesorio giratorio puede hacer que se enganche la ropa, tirando del accesorio hacia el cuerpo.
- n) **Limpie regularmente las salidas de aire de la herramienta eléctrica.** El ventilador del motor atrae el polvo hacia dentro de la carcasa y la acumulación excesiva de polvo metálico puede ocasionar riesgos eléctricos.
- o) **No haga funcionar la herramienta eléctrica cerca de materiales inflamables.** Las chispas pueden encender estos materiales.
- p) **No use accesorios que requieran refrigerantes líquidos.** El uso de agua y otros líquidos de refrigeración pueden ocasionar descargas eléctricas o electrocución.
- q) **No deje que ninguna parte suelta de la funda**

de pulido o de los cordones accesorios gire libremente. Guarde o recorte cualquier cordón accesorio suelto. Los cordones accesorios sueltos y girando pueden enredarse en los dedos o engancharse en la pieza de trabajo.

- r) **No presione el bloqueo de eje hasta que la herramienta no se detenga.**

Rebotes y advertencias relacionadas

El rebote es una reacción repentina a un apretón o enganchón en el disco rotatorio, plato de soporte, cepillo o cualquier otro accesorio. Los apretones o enganchones causan atascamiento del accesorio rotativo que, a su vez, hace que la herramienta eléctrica fuera de control se fuerce en la dirección contraria a la rotación del accesorio en el punto de agarrotamiento. Por ejemplo, si el disco abrasivo engancha o aprieta la pieza de trabajo, el borde del disco que entra en el punto del apretón puede penetrar en la superficie del material haciendo que el disco se salga o expulsándolo. El disco puede saltar hacia el operador o encima de él, según sea la dirección del movimiento del disco en el punto del apretón. Los discos abrasivos también pueden romperse en estas condiciones. El rebote se produce por mal uso y/o procedimientos de funcionamiento o condiciones incorrectos y puede evitarse tomando las debidas precauciones que se indican abajo.

- a) **Mantenga aferrada firmemente la herramienta y coloque las manos y el cuerpo de modo que resistan a la fuerza de rebote. Use siempre la empunadura auxiliar, si la hubiera, para ejercitar el maximo control contra rebote o par de reaccion durante el arranque.** El operador puede controlar los pares de reacción o fuerzas de rebote si adopta las debidas precauciones.
- b) **Nunca coloque las manos cerca del accesorio rotatorio.** El accesorio puede rebotar en sus manos.
- c) **No coloque el cuerpo en la zona hacia donde se puede mover la herramienta electrica si rebota.** El rebote impulsa la herramienta en la dirección opuesta al movimiento del disco en el punto de enganche.
- d) **Tenga especial cuidado cuando trabaje en las esquinas, aristas, etc. Evite hacer rebotar y atascar el accesorio.** Las esquinas, aristas o contragolpes tienden a atascar el accesorio rotatorio y causan pérdida de control o rebote.
- e) **No acole hojas de sierra de cadena para cortar madera u hojas de sierra dentada.** Estas hojas producen frecuentes rebotes y pérdida de control.

Seguridad electrica



Compruebe siempre que la tensión del suministro eléctrico corresponda con la tensión de la placa de características.

- No utilice la máquina si el cable o el enchufe eléctrico han sufrido daños. Si el cable de alimentación de esta herramienta eléctrica se daña, debe ser sustituido con un cable de alimentación especialmente preparado, disponible a través de la organización de servicio.
- Utilice únicamente cables alargadores que sean adecuados para la potencia nominal de la máquina con un grosor mínimo de 1,5 mm². Si utiliza un cable alargador en rollo, desenrolle totalmente el cable.

2. INFORMACION DE LA MAQUINA

Uso previsto

Esta máquina se ha diseñado para el pulido y cepillado del metal y las superficies esmaltadas.

ESPECIFICACIONES TECNICAS

Modelo n.º	PM507AC / S_PM507AC
Voltaje	230-240V~
Frecuencia de red	50Hz
Entrada de alimentación	400W
Velocidad sin carga	2000-6800/min
Diámetro del disco	75 mm / 50 mm
Peso	1,5 kg
Nivel de presión acústica L _{pa}	80 dB(A), K= 3 dB(A)
Nivel de presión acústica L _{wa}	91 dB(A), K= 3 dB(A)
Vibración ah,P	3,08 m/s ² , K= 1.5 m/s ²

Nivel de vibración

El nivel de emisión de vibraciones indicado en este manual de instrucciones ha sido medido según una prueba estándar proporcionada en EN 62841; puede utilizarse para comparar una herramienta con otra y como valoración preliminar de la exposición a las vibraciones al utilizar la herramienta con las aplicaciones mencionadas

- al utilizarla para distintas aplicaciones o con accesorios diferentes o con un mantenimiento deficiente, podría aumentar de forma notable el nivel de exposición

- en las ocasiones en que se apaga la herramienta o cuando está funcionando pero no está realizando ningún trabajo, se podría reducir el nivel de exposición de forma importante

Protéjase contra los efectos de la vibración realizando el mantenimiento de la herramienta y sus accesorios, manteniendo sus manos calientes y organizando sus patrones de trabajo.

DESCRIPCION

Los números del texto se refieren a los diagramas en la página 2.

1. Interruptor de encendido/apagado
2. Rueda de ajuste de velocidad
3. Empuñadura
4. Placa de apoyo
5. Almohadilla de pulido
6. Llave
7. Eje

3. MONTAJE



Antes del montaje, apague siempre la máquina y saque el enchufe de la toma.

Montaje y desmontaje de los accesorios (figuras A y B)

Asegúrese de usar el accesorio adecuado para el material que corresponda. Use solo accesorios de pulido limpios y sin daños.

Placa de apoyo

1. Coloque la máquina apoyada sobre la parte posterior.
2. Posicione la llave (6) para enganchar los planos en el husillo (7). Puede ser necesario rotar la placa de soporte (4) para exponer los planos del husillo (7).
3. Mientras sujeta el husillo (7) con la llave (5), gire la placa de apoyo (4) en sentido horario (con la mano) para apretarla.

Almohadillas de pulido

1. Coloque la máquina sobre la parte posterior.
2. Presione bien la almohadilla pulidora (5) contra el plato de apoyo de velcro (4).

Para quitar la almohadilla (5), solo tiene que tirar la almohadilla de la placa de apoyo (4).

4. FUNCIONAMIENTO

Encendido y apagado (Fig. A)

- Para encender la máquina, deslice el interruptor de encendido/apagado (1) hacia delante.
- Para apagar la máquina, deslice el interruptor de encendido/apagado (1) hacia atrás.

Ajuste de la velocidad (Fig. A)

La rueda de ajuste de velocidad (2) se utiliza para ajustar la velocidad. La rueda de ajuste de velocidad (2) puede situarse en 6 posiciones. La velocidad ideal depende de la aplicación y del material que va a trabajarse.



No ajuste la velocidad durante el uso.

- Gire la rueda de ajuste de velocidad (2) a la posición deseada.

5. MANTENIMIENTO



Antes de la limpieza y el mantenimiento, apague siempre la máquina y saque el enchufe de la toma.

Limpie regularmente la carcasa de la máquina con un paño suave, preferentemente después de cada uso. Compruebe que los orificios de ventilación estén libres de polvo y suciedad. Elimine el polvo persistente utilizando un paño suave humedecido con agua y jabón. No use disolventes tales como gasolina, alcohol, amoníaco, etc. Tales productos químicos pueden dañar los componentes sintéticos.

MEDIOAMBIENTE



Los aparatos eléctricos o electrónicos defectuosos y/o desechados deben recogerse en lugares de reciclado apropiado.

Solo para países de la Comunidad Europea

No elimine las herramientas eléctricas como residuos domésticos. De acuerdo con la Directiva europea 2012/19/CE sobre residuos de aparatos eléctricos y electrónicos, y su transposición a las legislaciones nacionales, las herramientas eléctricas que ya no se utilizan deben recogerse por separado y eliminarse en modo ecológico.

CONDICIONES DE GARANTÍA

Los productos VONROC han sido desarrollados con los más altos estándares de calidad y VONROC garantiza que están exentos de defectos relacionados con los materiales y la fabricación durante el periodo legalmente estipulado, a contar desde la fecha de compra original. En caso de que el producto presente defectos relacionados con los materiales y/o la fabricación durante este periodo, póngase directamente en contacto VONROC.

La presente garantía se excluye en los siguientes casos:

- Si centros de servicios no autorizados han realizado o han intentado realizar reparaciones y/o alteraciones a la máquina.
- Si se ha producido un desgaste normal.
- Si la herramienta ha sido mal tratada o usada en modo impropio, o se ha realizado incorrectamente su mantenimiento.
- Si se han utilizado piezas de repuesto no originales.

La presente constituye la única garantía implícita y explícita que ofrece la compañía. No existen otras garantías explícitas o implícitas que excedan las citadas aquí, incluidas las garantías implícitas de comerciabilidad e idoneidad para una finalidad en especial. VONROC no será considerada responsable en ningún caso por daños incidentales o consecuentes. Los recursos a disposición de los distribuidores se limitan a la reparación o a la sustitución de las unidades o piezas no conformes.

El producto y el manual de usuario están sujetos a variaciones. Las especificaciones pueden variarse sin previo aviso.

1. ISTRUZIONI DI SICUREZZA

Leggere accuratamente gli avvisi di sicurezza, gli avvisi di sicurezza aggiuntivi e le istruzioni. La mancata osservanza degli avvisi di sicurezza e delle istruzioni potrebbe causare scosse elettriche, incendio e/o gravi lesioni. Mantenere gli avvisi di sicurezza e le istruzioni a portata di mano per future consultazioni.

I seguenti simboli sono utilizzati nel presente manuale utente o sul prodotto:



Leggere il manuale per l'utente.



Denota il rischio di lesioni personali, morte o danni all'utensile in caso di mancata osservanza delle istruzioni contenute nel presente manuale.



Rischio di scosse elettriche.



Velocità elettronica variabile



Indossare una mascherina.



*Indossare occhiali di protezione.
Indossare protezioni per l'udito.*



*Apparecchio di Classe II - Doppio isolamento
- Non è necessario il collegamento a terra.*



Il prodotto è conforme agli standard pertinenti in materia di sicurezza previsti dalla legislazione Europea.

REGOLE GENERALI DI SICUREZZA



ATTENZIONE! Leggere tutte le avvertenze di sicurezza e tutte le istruzioni. *Se non si seguono tutte le istruzioni sotto elencate, si può incorrere in uno shock elettrico, in un incendio e/o in lesioni serie.*

Conservare queste istruzioni.

Il termine "arnese elettrico" in tutti gli avvertimenti sotto elencati si riferisce al vostro arnese elettrico che funziona a corrente (con filo) o ad un arnese che funziona a pile (senza filo).

1) Area di lavoro

- a) **Mantenere l'area di lavoro pulita e ben illuminata.**
Aree buie e disordinate favoriscono gli incidenti.

- b) **Non usare arnesi elettrici in atmosfere esplosive, come vicino ai liquidi infiammabili, gas o polveri.** Gli arnesi elettrici creano scintille che possono incendiare la polvere dei vapori.
- c) **Tenere lontani bambini e altre persone mentre si accende l'arnese elettrico.** Le distrazioni possono farvi perdere il controllo.
- 2) Sicurezza elettrica**
- a) **Le spine dell'arnese elettrico devono andare bene per la presa di corrente. Non modificare mai la spina in alcun modo. Non usare alcun adattatore con arnesi elettrici a terra (messo a terra).** Spine non modificate che vanno bene per le prese di corrente ridurranno il rischio di shock elettrico.
- b) **Evitare il contatto corporeo con superfici a terra come tubature, radiatori, fornelli e refrigeratori.** C'è un rischio maggiore di shock elettrico se il vostro corpo è a terra.
- c) **Non esporre arnesi elettrici alla pioggia o a condizioni di umidità.** Se dell'acqua penetra nell'arnese elettrico aumenterà il rischio di shock elettrico.
- d) **Non abusare del filo. Non usare mai il filo per trasportare, spingere o staccare dalla presa l'arnese elettrico. Tenere il filo lontano da calore, olio, bordi taglienti o parti mobili.** Fili danneggiati o aggrovigliati aumentano il rischio di shock elettrico.
- e) **Quando si accende un arnese elettrico all'aperto, usare una prolunga adatta a tale uso.** Usare un filo adatto all'uso all'aperto ridurrà il rischio di shock elettrico.
- f) **Se non è possibile evitare l'uso di un elettroutensile in ambiente umido, usare una rete di alimentazione protetta da un interruttore differenziale (salvavita).** L'uso di un salvavita riduce il rischio di scosse elettriche.
- 3) Sicurezza personale**
- a) **Stare vigili e attento quando si accende un arnese elettrico. Non usare un arnese elettrico mentre si è stanco o sotto l'effetto di droghe, alcool o medicinali.** Un momento di disattenzione mentre si accendono arnesi elettrici può causare delle gravi lesioni personali.
- b) **Usare dispositivi di protezione individuale. Indossare sempre una protezione per gli occhi.** Dispositivi di sicurezza come mascherina per la polvere, scarpe di sicurezza antiscivolo, casco, o protezioni per le orecchie usate nelle appropriate condizioni, ridurranno le lesioni personali.
- c) **Prevenire l'avvio accidentale. Assicurarsi che l'interruttore sia spento prima di collegarsi.** Trasportare elettroutensili tenendo il dito sull'interruttore di accensione o dare corrente ad elettroutensili con l'interruttore acceso può dare luogo a incidenti.
- d) **Rimuovere ogni chiave regolatrice o chiave per dadi prima di accendere l'arnese elettrico.** Una chiave per dadi o una chiave lasciata attaccata ad una parte rotante dell'arnese elettrico può provocare lesioni personali.
- e) **Cercare di mantenere l'equilibrio. Mantenere sempre un punto d'appoggio appropriato.** Questo consente un controllo migliore dell'arnese elettrico in situazioni inaspettate.
- f) **Vestirsi adeguatamente. Non indossare vestiti larghi o gioielli. Tenere lontano capelli, vestiti e guanti dalle parti mobili.** Vestiti larghi, gioielli o capelli lunghi possono essere presi nelle parti mobili.
- g) **Se vengono forniti dispositivi per la connessione dell'estrazione della polvere e attrezzature di raccolta, assicurarsi che questi siano collegati e usati correttamente.** L'uso di questi dispositivi può ridurre i rischi correlati alla polvere.
- h) **Non lasciare che la confidenza acquisita dall'uso frequente induca l'utilizzatore ad assumere comportamenti imprudenti e a ignorare i principi di sicurezza per l'utensile.** Una semplice distrazione può provocare gravi lesioni personali in una frazione di secondo.
- 4) Uso e manutenzione dell'arnese elettrico**
- a) **Non forzare l'arnese elettrico. Usare l'arnese elettrico corretto per il vostro impiego.** L'arnese elettrico corretto farà il lavoro meglio e in maniera più sicura alla velocità per la quale è stato progettato.
- b) **Non usare l'arnese elettrico se l'interruttore non si accende o non si spegne.** Ogni arnese elettrico che non può essere controllato con l'interruttore è pericoloso e deve essere riparato.
- c) **Scollegare la spina dalla sorgente di elettricità prima di fare qualsiasi regolazione, cambiare gli accessori, o conservare arnesi elettrici.** Tali misure di sicurezza preventive riducono il rischio di accendere l'arnese elettrico accidentalmente.
- d) **Conservare gli arnesi elettrici inattivi fuori dalla portata dei bambini e non permettere a persone che non hanno confidenza con l'arnese elettrico o con queste istruzioni di usare l'arnese elettrico.** Gli

arnesi elettrici sono pericolosi per utenti inesperti.

- e) **Mantenere gli arnesi elettrici. Controllare il non allineamento o l'attacco di parti mobili, la rottura di parti ed ogni altra condizione che può influire sul funzionamento degli arnesi elettrici. Se è danneggiato, far riparare l'arnese elettrico prima dell'uso.** Molti incidenti sono causati da arnesi elettrici mantenuti male.
 - f) **Mantenere gli arnesi da taglio affilati e puliti.** È meno probabile che si attacchino degli arnesi da taglio mantenuti correttamente con tagli affilate e questi sono anche più facili da controllare.
 - g) **Usare l'arnese elettrico, gli accessori e le parti dell'arnese ecc, secondo queste istruzioni e nel modo pensato per il particolare tipo di arnese elettrico, tenendo conto delle condizioni di lavoro e del lavoro da svolgere.** L'uso dell'arnese elettrico per operazioni diverse da quelle pensate potrebbe causare situazioni pericolose.
 - h) **Mantenere le impugnature e le superfici di presa asciutte, pulite e libere da olio e grasso.** Impugnature e superfici di presa scivolose non consentono di maneggiare e controllare in sicurezza l'utensile in situazioni impreviste.
- 5) Uso e manutenzione dell'utensile a batteria**
- a) **Ricaricare l'apparecchio esclusivamente con il caricabatterie specificato dal fabbricante.** Se si utilizza un caricabatterie di diverso tipo potrebbero verificarsi incendi.
 - b) **Utilizzare gli utensili elettrici solo con i pacchi batterie appositamente prescritti.** L'uso di pacchi batterie di diverso tipo aumenta il rischio di infortunio o incendio.
 - c) **Quando il pacco batterie non è in uso, tenerlo lontano da oggetti metallici quali fermagli, monete, chiavi, chiodi, viti o altri piccoli oggetti metallici che potrebbero mettere in collegamento i due poli.** Se i poli vengono messi in corto circuito, la batteria potrebbe emettere scintille o fiammate.
 - d) **In condizioni di uso scorretto, la batteria potrebbe emettere liquido: evitare pertanto di entrarvi in contatto. In caso di contatto accidentale, risciacquare con acqua. Se il liquido entra a contatto con gli occhi, consultare immediatamente un medico.** Il liquido emesso dalla batteria può causare irritazioni o ustioni.
 - e) **Non utilizzare un pacco batterie o l'utensile se danneggiati o manomessi.** Pacchi batterie danneggiati o manomessi potrebbero avere comportamenti imprevisti con il rischio di incen-

diarsi, esplodere o provocare lesioni a persone.

- f) **Non esporre un pacco batterie o l'utensile alle fiamme o a temperature eccessivamente elevate.** L'esposizione alle fiamme o a temperature superiori a 130 °C potrebbe provocare un'esplosione. NOTA: la temperatura di "130 °C" corrisponde a "265 °F".
 - g) **Seguire tutte le istruzioni per la ricarica e non caricare il pacco batterie o l'utensile a temperature che non rientrino nell'intervallo specificato nelle istruzioni.** Se si effettua la ricarica in modo improprio o a temperature non comprese nell'intervallo specificato, il pacco batterie potrebbe subire danni e potrebbe aumentare il rischio di incendi.
- 6) Riparazione**
- a) **L'assistenza per l'elettroutensile deve essere prestata da un tecnico qualificato che utilizzi soltanto ricambi originali.** In questo modo viene garantita la sicurezza dell'elettroutensile.
 - b) **Non tentare di riparare pacchi batterie danneggiati.** La riparazione dei pacchi batteria deve essere effettuata esclusivamente dal produttore o presso centri di assistenza autorizzati.

AVVERTENZE DI SICUREZZA AGGIUNTIVE PER LUCIDATRICI

- a) **Questo elettroutensile è concepito per l'uso come levigatrice. Leggere tutte le avvertenze di sicurezza, le istruzioni, le illustrazioni e le specifiche tecniche fornite insieme a questo elettroutensile.** La mancata osservanza delle istruzioni seguenti può dar luogo a una scossa elettrica, un incendio e/o lesioni personali gravi.
- b) **Con questo elettroutensile non è consigliabile eseguire lavori di molatura, carteggiatura, spazzolatura metallica o taglio abrasivo.** L'esecuzione di lavori per i quali l'elettroutensile non è stato progettato potrebbe comportare dei rischi e causare lesioni personali.
- c) **Non utilizzare accessori non progettati specificatamente e non raccomandati dal costruttore dell'elettroutensile.** Il fatto che un accessorio possa essere fissato all'elettroutensile, non ne garantisce la sicurezza di utilizzo.
- d) **La velocità nominale dell'accessorio deve essere almeno pari alla velocità massima indicata sull'elettroutensile.** Gli accessori che girano a una velocità maggiore rispetto alla loro velocità nominale possono rompersi e andare in mille pezzi.
- e) **Il diametro esterno e lo spessore dell'accesso-**

- rio devono rientrare nel valore della capacità nominale dell'elettrotensile.** Gli accessori di dimensioni errate non possono essere protetti né controllati in modo adeguato.
- f) **L'attacco filettato degli accessori deve corrispondere al filetto dell'alberino della mola. Per quanto riguarda gli accessori fissati tramite flange, il foro di sostegno dell'accessorio deve essere adatto al diametro di centraggio della flangia.** Gli accessori che non corrispondono alla struttura di fissaggio dell'elettrotensile si sbilanciano, vibrano eccessivamente e possono causare la perdita di controllo.
- g) **Non utilizzare accessori danneggiati. Prima di ogni utilizzo controllare gli accessori per verificare ad esempio che sui dischi abrasivi non vi siano scheggiature e lesioni, che non siano presenti crepe o segni eccessivi di usura sul platello, che le spazzole metalliche non abbiano filamenti metallici staccati o spezzati. Se l'elettrotensile o l'accessorio cade, verificare se ha subito eventuali danni o montare un accessorio integro. Dopo l'ispezione e l'installazione di un accessorio, allontanarsi o fare allontanare le persone presenti nelle vicinanze dal piano dell'accessorio rotante e azionare l'elettrotensile a vuoto alla massima velocità per un minuto.** Gli accessori danneggiati normalmente si rompono durante questa fase di verifica.
- h) **Indossare dispositivi di protezione individuale. A seconda del lavoro da eseguire, indossare uno schermo facciale, occhiali di sicurezza oppure occhiali con protezioni laterali. Se opportuno, indossare una mascherina antipolvere, protezioni per l'udito, guanti e un grembiule da lavoro in grado di arrestare piccole particelle di abrasivo o piccoli frammenti del pezzo in lavorazione.** Il dispositivo di protezione per gli occhi deve impedire ai detriti volanti generati durante le varie lavorazioni di raggiungere gli occhi. La mascherina antipolvere o il respiratore deve essere in grado di filtrare la polvere che si genera durante il lavoro. L'esposizione prolungata a rumore molto intenso può provocare la perdita dell'udito.
- i) **Mantenere le altre persone presenti a distanza di sicurezza dall'area di lavoro. Chiunque acceda all'area di lavoro deve indossare dispositivi di protezione individuale adeguati.** Frammenti del pezzo in lavorazione o di un accessorio rotto possono volare via e causare lesioni al di là
- dell'immediata area di lavoro.
- j) **Sostenere l'elettrotensile esclusivamente dalle superfici di presa isolanti quando si eseguono lavori in cui l'accessorio di taglio potrebbe toccare cavi elettrici nascosti o il cavo di alimentazione dell'elettrotensile stesso.** Gli accessori da taglio che vengono a contatto con un cavo sotto tensione trasmettono la corrente elettrica anche alle parti metalliche esposte dell'elettrotensile e potrebbero provocare la folgorazione dell'operatore.
- k) **Posizionare il cavo di alimentazione lontano dall'accessorio rotante.** In caso di perdita di controllo, il cavo potrebbe essere tagliato o impigliarsi, trascinando la mano o il braccio dell'operatore verso l'accessorio rotante.
- l) **Non appoggiare mai l'elettrotensile finché l'accessorio non si sia arrestato completamente.** L'accessorio rotante potrebbe fare presa sulla superficie e trascinare l'elettrotensile facendone perdere il controllo.
- m) **Non azionare l'elettrotensile mentre lo si trasporta tenendolo lungo il fianco.** Un contatto accidentale con l'accessorio rotante potrebbe farlo impigliare agli indumenti dell'utilizzatore trascinandolo verso il suo corpo.
- n) **Pulire regolarmente gli sfii dell'aria dell'elettrotensile.** La ventola di raffreddamento del motore attira la polvere all'interno dell'alloggiamento e l'accumulo eccessivo di polvere di metallo può causare rischi elettrici.
- o) **Non utilizzare l'elettrotensile in prossimità di materiali infiammabili.** Le scintille potrebbero incendiare tali materiali.
- p) **Non utilizzare accessori che richiedono l'impiego di refrigeranti liquidi.** L'utilizzo di acqua o altri liquidi refrigeranti può provocare elettrocuzione o scossa elettrica.
- q) **Non lasciare che parti lente della cuffia per lucidatura o delle rispettive cordicelle di fissaggio ruotino liberamente.** Mettere da parte o rifilare le eventuali cordicelle di fissaggio lente. Mentre le cordicelle di fissaggio lente girano possono aggrovigliarsi attorno alle dita dell'utilizzatore oppure il pezzo in lavorazione può rimanere impigliato.
- r) **Non premere il blocco dell'alberino finché l'elettrotensile non si sia arrestato.**

Contraccolpo e relative avvertenze

Il contraccolpo è una reazione improvvisa provocata da un disco, un platello, una spazzola o qualsiasi altro accessorio in rotazione che rimanga schiacciato o impigliato. Ciò provoca un arresto immediato dell'accessorio rotante che a sua volta causa la perdita di controllo dell'elettrotensile, che viene spinto nella direzione opposta rispetto alla rotazione dell'accessorio nel punto in cui è stato trattenuto. Ad esempio, se il disco abrasivo rimane schiacciato o impigliato dal pezzo da lavorare, il bordo del disco penetrato nel punto di schiacciamento può scavare nel materiale e causare lo scavalcamento o il contraccolpo del disco. Il disco può saltare sia verso l'operatore che in direzione opposta a seconda della direzione del movimento del disco nel punto di schiacciamento. In queste condizioni i dischi abrasivi possono anche rompersi. Il contraccolpo è il risultato di un uso errato dell'elettrotensile e/o di metodi o condizioni di lavoro scorretti e può essere evitato prendendo le appropriate precauzioni, come descritto di seguito.

- Mantenere una presa salda sull'elettrotensile, posizionando il corpo e le braccia in modo da resistere alle forze di contraccolpo. Utilizzare sempre l'impugnatura ausiliaria, se presente, per avere il massimo controllo sulla forza di contraccolpo o sulla reazione di coppia durante l'avviamento.** Con le necessarie precauzioni, l'operatore può controllare le reazioni di coppia e le forze di contraccolpo.
- Non porre mai le mani vicino all'accessorio in rotazione.** L'accessorio potrebbe subire un contraccolpo rimbalzando sulle mani dell'operatore.
- Non posizionarsi nell'area verso cui potrebbe dirigersi l'elettrotensile in caso di contraccolpo.** Il contraccolpo spinge l'elettrotensile nella direzione opposta al movimento del disco nel punto in cui si impiglia.
- Prestare particolare attenzione quando si lavorano angoli, estremità appuntite ecc. Evitare che l'accessorio rimbalzi o si impigli.** Angoli, estremità appuntite o rimbalzi tendono a fare impigliare l'accessorio rotante, provocando la perdita di controllo o il contraccolpo dell'elettrotensile.
- Non collegare una lama da motosega per legno o una lama dentata.** Queste lame creano contraccolpi e perdita di controllo frequenti.

Sicurezza elettrica



Controllare sempre che la tensione di alimentazione corrisponda alla tensione indicata sulla targhetta delle caratteristiche.

- Non utilizzare l'elettrotensile quando il cavo o la spina di alimentazione sono danneggiati. Se il cavo di alimentazione di questo elettrotensile risulta danneggiato, deve essere sostituito con un cavo di alimentazione appositamente predisposto disponibile tramite l'organizzazione di assistenza.
- Utilizzare esclusivamente cavi di prolunga idonei per la potenza nominale dell'elettrotensile, con conduttori di sezione minima di 1,5 mm². Quando si utilizza un cavo di prolunga con avvolgicavo, svolgere sempre completamente il cavo.

2. INFORMAZIONI RELATIVE ALL'ELETTROTENSILE

Uso previsto

Questo elettrotensile è destinato alla lucidatura e spazzolatura di superfici metalliche e rivestite.

DATI TECNICI

Modello n.º	PM507AC / S_PM507AC
Tensione	230-240V~
Frequenza di alimentazione	50Hz
Potenza assorbita	400W
Velocità a vuoto	2000-6800/min
Diametro della mola	75 mm / 50 mm
Peso	1,5 kg
Livello di pressione sonora L _{PA}	80 dB(A), K= 3 dB(A)
Livello di potenza sonora L _{WA}	91 dB(A), K= 3 dB(A)
Vibrazione ah,P	3,08 m/s ² , K= 1.5 m/s ²

Livello delle vibrazioni

Il livello di emissione delle vibrazioni indicato sul retro di questo manuale di istruzioni è stato misurato in conformità a un test standardizzato stabilito dalla norma EN 62841; questo valore può essere utilizzato per mettere a confronto un l'utensile con un altro o come valutazione preliminare di esposizione alla vibrazione quando si impiega l'utensile per le applicazioni menzionate.

- L'emissione di vibrazioni durante l'uso effettivo

dell'elettrotensile può differire dal valore totale dichiarato a seconda delle modalità di utilizzo dell';

- necessità di individuare misure di sicurezza a tutela dell'operatore che si basino su una stima dell'esposizione nelle condizioni effettive di utilizzo (tenendo conto di tutte le parti del ciclo operativo quali i tempi di spegnimento dell'utensile e di funzionamento a vuoto in aggiunta al tempo di attivazione).

Proteggersi dagli effetti della vibrazione effettuando la manutenzione dell'utensile e dei relativi accessori, mantenendo le mani calde e organizzando i metodi di lavoro.

DESCRIZIONE

I numeri che compaiono nel testo si riferiscono agli schemi riportati a pagina 2.

1. Interruttore on/off
2. Selettore di regolazione della velocità
3. Impugnatura
4. Piastra posteriore
5. Cuscinetto lucidante
6. Chiave inglese
7. Mandrino

3. MONTAGGIO



Prima del montaggio, spegnere sempre l'elettrotensile e disconnettere la spina di alimentazione dalla rete elettrica.

Installazione e rimozione degli accessori (Figg. A e B)

Assicurarsi di utilizzare l'accessorio idoneo per il materiale da lucidare. Usare solo accessori di lucidatura non danneggiati e puliti.

Piastra posteriore

1. Appoggiare l'elettrotensile sul proprio lato posteriore.
2. Posizionare la chiave inglese (6) per innestare le superfici sul mandrino (7). Potrebbe essere necessario ruotare la piastra posteriore (4) per far emergere le superfici del mandrino (7).
3. Tenendo il mandrino (7) con la chiave inglese (5), ruotare la piastra posteriore (4) in senso orario (manualmente) per serrarla.

Platorello per lucidatura

1. Appoggiare l'elettrotensile sul proprio lato posteriore.
2. Premere con forza il platorello per lucidatura (5) sul gancio e avvolgere la piastra posteriore (4).

Per rimuovere un platorello (5) staccarlo semplicemente dalla piastra posteriore (4).

4. FUNZIONAMENTO

Accensione e spegnimento (fig. A)

- Per accendere l'elettrotensile, far scorrere in avanti l'interruttore on/off (1).
- Per spegnere l'elettrotensile, far scorrere indietro l'interruttore on/off (1).

Impostazione della velocità (fig. A)

Il selettore di regolazione della velocità (2) consente di impostare la velocità. Il selettore di regolazione della velocità (2) è impostabile su 6 posizioni. La velocità ottimale dipende dal tipo di applicazione e dal materiale da lavorare.



Non impostare la velocità durante l'uso.

- Ruotare il selettore di regolazione della velocità (2) nella posizione desiderata.

5. MANUTENZIONE



Prima di ogni operazione di pulizia e manutenzione, spegnere sempre l'elettrotensile e disconnettere la spina di alimentazione dalla rete elettrica.

Pulire regolarmente il corpo dell'elettrotensile con un panno morbido, preferibilmente dopo ogni uso. Assicurarsi che le prese d'aria siano libere da polvere e sporcizia. Rimuovere lo sporco particolarmente ostinato con un panno morbido inumidito con acqua e sapone. Non utilizzare solventi come benzina, alcol, ammoniaca, ecc. Le sostanze chimiche di questo tipo danneggiano i componenti sintetici.

AMBIENTE



Le apparecchiature elettriche o elettroniche difettose e/o scartate devono essere raccolte presso gli opportuni siti di riciclaggio.

Solo per i Paesi CE

Non smaltire gli elettrodomestici insieme ai rifiuti domestici. Secondo la Direttiva europea 2012/19/EC sui rifiuti delle apparecchiature elettriche ed elettroniche e relativa implementazione nelle normative locali, gli elettrodomestici ormai inutilizzabili devono essere raccolti separatamente e smaltiti in modo ecologico.

DEFINIZIONI DELLA GARANZIA

I prodotti VONROC sono sviluppati secondo i più elevati standard di qualità e viene garantita l'assenza di difetti nei materiali e nella manodopera per il periodo contrattuale a partire dalla data di acquisto originale. Qualora il prodotto dovesse subire un guasto qualsiasi durante questo periodo a causa di difetti nei materiali e/o nella manodopera, si prega di contattare direttamente il VONROC.

Le seguenti circostanze sono escluse da questa garanzia:

- Riparazioni e/o modifiche alla macchina sono state eseguite o tentate da centri di assistenza non autorizzati.
- Normale usura.
- L'utensile è stato abusato, utilizzato o manutenu- to in modo improprio.
- Sono state utilizzate parti di ricambio non originali

Ciò costituisce l'unica garanzia espressa o implicita fornita dall'azienda. Non esistono altre garanzie espresse o implicite che si estendono oltre il presente documento, ivi comprese le garanzie implicite di commerciabilità e idoneità per uno scopo particolare. In nessun caso VONROC sarà responsabile di eventuali danni incidentali o consequenziali. I rimedi dei rivenditori saranno limitati alla riparazione o sostituzione di unità o parti non conformi.

Il prodotto e il manuale per l'utente sono soggetti a modifiche. I dati tecnici possono essere modificati senza ulteriore notifica.

1. SÄKERHETSFÖRESKRIFTER

Läs de medföljande säkerhetsvarningarna, de tillkommande säkerhetsvarningarna och anvisningarna. Om inte säkerhetsvarningarna och anvisningarna följs kan detta orsaka elstöt, brand och/eller allvarliga kroppsskador. Behåll säkerhetsvarningarna och anvisningarna för framtida bruk.

Följande symboler används i bruksanvisningen eller på produkten:



Läs igenom bruksanvisningen.



Anger risk för personskada, dödsfall eller skada på verktyget om anvisningarna i denna handbok inte följs.



Risk för elstöt.



Variabla elektroniska varvtal.



Använd skyddsmask.



*Använd skyddsglasögon.
Använd hörselskydd.*



Klass II-maskin - dubbel isolering - du behöver ingen jordad kontakt.



Produkten är i överensstämmelse med tillämpliga säkerhetsstandarder i EU-direktiven.

ALLMÄNNA SÄKERHETSFRÖSKRIFTER

Varning! Läs alla säkerhetsvarningar och alla anvisningar. Om inte alla instruktioner som anges nedan efterföljs kan detta leda till el-stöt, eldsvåda och/eller allvarliga skada.

Spara dessa instruktioner.

Termen "elektriskt redskap" i varningarna som anges nedan hänvisar till elektriska verktyg (med sladd, anslutet till el-nätet) eller batteridrivna (sladdlösa) elektriska verktyg.

1) Arbetsutrymme

- a) **Se till att arbetsutrymmet är städat och väl upplyst.** Stökiga och mörka utrymmen ger anledning till olyckor.

- b) **Använd inte elektriska verktyg i explosiv luft, såsom i närheten av lättantändliga vätskor, gaser eller damm.** Elektriska verktyg åstadkommer gnistor som kan sätta eld på damm eller gas.
- c) **Håll barn och obehöriga på avstånd när du använder ett elektriskt verktyg.** Om du blir distraherad kan du tappa kontrollen över verktyget.
- 2) El-säkerhet**
- a) **Stickkontakten till elektriska verktyg måste passa el-uttaget. Ändra aldrig på något sätt på stickkontakten. Använd inte adapterkontakter till jordade elektriska verktyg.** Oförändrade stickkontakter och passande uttag minskar risken för el-stötar.
- b) **Undvik kroppskontakt med jordade ytor såsom rör, element, spisar och kylskåp.** Risken för el-stötar är större om din kropp är jordad.
- c) **Låt inte elektriska verktyg utsättas för regn eller våta förhållanden.** Om det kommer in vatten i ett elektriskt verktyg ökar risken för el-stötar.
- d) **Skada inte kabeln. Använd aldrig kabeln för att bära eller dra det elektriska verktyget eller för att dra ut stickkontakten. Håll sladden borta från höga temperaturer, olja, vassa kanter eller rörliga delar.** Skadade eller hoptrasslade kablar ökar risken för el-stötar.
- e) **När du använder ett elektriskt verktyg utomhus måste förlängningskabeln vara lämplig för utomhusbruk.** Om man använder en förlängningskabel för utomhusbruk minskar risken för el-stötar.
- f) **Använd jordfelskydd (RCD) om arbete med ett elverktyg i fuktig miljö är oundvikligt.** Användning av RCD minskar risken för elstötar.
- 3) Personlig säkerhet**
- a) **Var uppmärksam, titta på det du håller på med och använd sunt förnuft när du arbetar med ett elektriskt verktyg. Använd inte elektriska verktyg när du är trött eller står under inflytande av droger, alkohol eller mediciner.** Ett ögonblick ouppmärksamhet vid användandet av elektriska verktyg kan leda till allvarliga personskador.
- b) **Använd personlig skyddsutrustning. Bär alltid skyddsglasögon.** Säkerhetsutrustning såsom skyddsmasker, skor med anti-halksula, hjälm eller hörselskydd som används vid rätt omständigheter kommer att minska personskador.
- c) **Förhindra oavsiktlig igångsättning. Se till att strömbrytaren är avslagen innan du sätter stickkontakten i eluttaget.** Om du bär elverktyg med fingret på brytaren eller strömsätter elverktyg vars brytare är aktiverad kan du råka ut för en olycka.
- d) **Ta bort skiftnycklar och skruvnycklar innan ett elektriskt verktyg slås på.** En skift- eller skruvnyckel som lämnas kvar fastsatt vid det elektriska verktygets roterande delar kan leda till personskada.
- e) **Sträck dig inte för långt. Se till att du alltid står stadigt och i balans.** På så sätt har du bättre kontroll över det elektriska verktyget i oväntade situationer.
- f) **Klä dig rätt. Bär inte löst sittande kläder eller smycken. Håll håret, kläder och handskar borta från rörliga delar.** Löst sittande kläder, smycken eller långt hår kan fastna i de rörliga delarna.
- g) **Om apparater för uppsugning och uppsamling av damm finns tillgängliga, se till att de ansluts och används korrekt.** Om sådana apparater används kan dammrelaterade faror minskas.
- h) **Låt inte erfarenheten som uppnås vid frekvent användning av verktyg låta dig bli för självsäker och ignorera verktygsäkerhetsprinciperna.** En oförsiktig handling kan orsaka allvarliga skador under bråkdelen av en sekund.
- 4) Underhåll av elektriska verktyg**
- a) **Överbelasta inte ett elektriskt verktyg. Använd rätt sorts verktyg till det arbete du vill utföra.** Rätt sorts elektriskt verktyg gör arbetet bättre och säkrare i den hastighet det var designat för.
- b) **Använd inte verktyget om strömbrytaren är trasig.** Om ett elektriskt verktyg inte kan kontrolleras med hjälp av en strömbrytare är det farligt och måste lagas.
- c) **Koppla loss stickkontakten från verktyget innan du utför några justeringar, byter tillbehör eller förvarar det.** Med dessa preventiva säkerhetsåtgärder minskas risken för att det elektriska verktyget går på av misstag.
- d) **Förvara elektriska verktyg som inte är i bruk utom räckhåll för barn och låt inte personer som inte känner till verktyget eller dessa instruktioner använda det.** Elektriska verktyg är farliga i händerna på oerfarna användare.
- e) **Underhåll elektriska verktyg. Kontrollera att alla rörliga delar är i rät linje och fastsatta, att inga delar är trasiga och att de är korrekt monterade. Kontrollera även annat som kan påverka verktygets funktion. Om det elektriska verktyget är trasigt måste det repareras innan det tas i bruk.** Många olyckor förorsakas av

dåligt underhållna elektriska verktyg.

- f) **Håll alltid sågande och skärande verktyg vassa och rena.** Sågande och skärande verktyg med vassa eggar/skär fastnar inte så lätt och är enklare att hålla kontroll över.
 - g) **Använd det elektriska verktyget, dess tillbehör, borrande eller skärande delar etc. enligt dessa instruktioner och på det sätt som det är avsett för. Ta med förutsättningarna och det arbete som ska utföras i beräkningarna.** Att använda ett elektriskt verktyg för andra arbeten än det är avsett för kan resultera i farliga situationer.
 - h) **Se till att handtagen är torra, rena och fria från olja och fett.** Hala handtag och greppytor tillåter inte säker hantering och kontroll av verktyget i oväntade situationer.
- 5) Användning och skötsel av batteri och laddare**
- a) **Använd endast den laddare som anges av tillverkaren.** En laddare som passar en typ av batteri kan orsaka brand om den används för ett annat batteri.
 - b) **Använd endast elverktyget med ett batteripack som är avsett för verktyget.** Användning av andra batteripack kan medföra risk för skador och brand.
 - c) **När du inte använder batteriet ska det förvaras så att inga små metallföremål som t.ex. gem, mynt, spikar, skruvar osv. kan kortsluta kontaktarna på batteriet.** Kortslutning av batterikontaktarna kan orsaka brännskador eller brand.
 - d) **Under extrema förhållanden kan vätska läcka ut från batteriet; undvik kontakt. Skölj med vatten vid kontakt med kroppsdelar. Uppsök genast en läkare om du får vätska i ögonen.** Vätska från batteriet kan orsaka irritation eller frätskador.
 - e) **Använd inte batterier eller verktyg som är skadade eller modifierade.** Skadade eller modifierade batterier kan uppvisa oförutsägbart beteende som kan leda till brand, explosion eller risk för skada.
 - f) **Utsätt inte batteri eller verktyg för eld eller överdriven temperatur.** Exponering för brand eller temperatur över 130 °C kan orsaka explosion. OBS! Temperaturen "130 °C" kan ersättas med temperaturen "265 °F".
 - g) **Följ alla laddningsanvisningar och ladda inte batteriet eller verktyget utanför det temperaturområde som anges i instruktionerna.** Om du laddar batteriet felaktigt eller vid temperaturer utanför det angivna området kan det skada batteriet och öka risken för brand.

6) Service

- a) **Låt ditt elverktyg servas av en kvalificerad reparatör och enbart med originalreservdelar.** Detta säkerställer att elverktygets säkerhet upprätthålls.
- b) **Utför aldrig service på skadade batterier.** Service av batteri ska endast utföras av tillverkaren eller auktoriserade serviceleverantörer.

YTTERLIGARE SÄKERHETSVARNINGAR FÖR POLISTER

- a) **Detta verktyg är avsett att fungera som en slipmaskin, stålborste, polermaskin. Läs alla säkerhetsvarningar, instruktioner, illustrationer och specifikationer som följer med elverktyget.** Underlåtenhet att följa samtliga instruktioner som räknas upp nedan kan resultera i elstötar, brand och / eller allvarliga skador.
- b) **Det rekommenderas att slipning, stålborstning, polering och kapning inte utförs med detta elverktyg.** Verksamhet för vilken elverktyget inte är avsett för, kan medföra fara och orsaka personsador.
- c) **Använd inte tillbehör som inte är speciellt avsedda och rekommenderade av verktygstillverkaren.** Bara för att tillbehöret kan anslutas till ditt elverktyg, garanterar det inte en säker användning.
- d) **Tillbehörets märkvarvtal måste minst vara lika med den högsta hastigheten märkt på elverktyget.** Tillbehör som går fortare än deras märkvarvtal kan gå sönder och flyga åt sidan.
- e) **Ytterdiametern och tjockleken av ditt tillbehör måste befinna sig inom ditt elverktygs märkcapacitet.** Felaktigt dimensionerade tillbehör kan inte vara tillräckligt skyddade eller styrda.
- f) **Tillbehör med gänginsats måste passa exakt till slipspindelns gänga. För tillbehör som monteras med fläns måste tillbehörets håldiameter passa till flänsens lokaliseringdiameter.** Tillbehör som inte passar i elverktygets fästansordning kommer att gå i obalans, vibrera kraftigt och leder eventuellt till att man förlorar kontrollen.
- g) **Använd inte ett skadat tillbehör. Före varje användning kontrollera tillbehöret såsom slipskivor för flis eller sprickor, sliprondell för sprickor, överdrivet slitage, stålborste för lösa eller spruckna ledningar. Om elverktyget eller tillbehöret tappas, kontrollera skadan eller installera ett oskadat tillbehör. Efter att ha kontrollerat och installerat ett tillbehör, ställ**

- dig själv och åskådare bortom tillbehörets rotationsplan och kör elverkytet på den högsta tomgångshastigheten i en minut.** Skadade tillbehör bryts normalt sönder under denna testtid.
- h) **Bär personlig skyddsutrustning. Beroende på användningen, använd ansiktsvisir, skyddsglasögon. Bär passande, dammskyddsmask, hörskydd, handskar och skyddsförkläde som kan stoppa små fragment från slipning eller arbetstycken.** Ögonskyddet måste vara i stånd att stoppa flygande skräp genererat av olika användningar. Dammskyddsmasken eller andningsmasken måste vara i stånd att filtrera partiklar genererade av din användning. Förlängd exponering mot för högt buller kan orsaka hörsel förlust.
- i) **Håll åskådare på ett säkert avstånd från arbetsområdet. Var och en som går in i arbetsområdet ska bära personlig skyddsutrustning.** Fragment av arbetstycken eller av trasiga tillbehör kan flyga iväg och orsaka skador utöver användningsområdet.
- j) **Håll elverkytet enbart i de isolerade greppytorna, när du utför ett moment där det skärande tillbehöret kan komma i kontakt med dolda ledningar eller dess egen kabel.** Skärnings tillbehör som kommer i kontakt med en strömförande ledning kan göra metall delar på elverkytet strömförande och ge operatören en elchock.
- k) **Placera kabeln fri från det roterande tillbehöret.** Om du tappar kontrollen, kan kabeln skäras av eller haka upp sig och dra in din hand eller arm i det roterande tillbehöret.
- l) **Lägg aldrig ner elverkytet förrän det har helt stannat.** Det roterande tillbehöret kan ta tag i ytan så att du inte kan kontrollera det.
- m) **Ha inte elverkytet påslaget när du bär det vid din sida.** Oavsiktlig kontakt med det roterande tillbehöret kan ta tag i din klädsel, och dra in tillbehöret i din kropp.
- n) **Rengör regelbundet elverkytets luftintag.** Motorfläkten drar till sig dammet i huset och överflödigt ackumulering av metall damm kan orsaka elektriska faror.
- o) **Använd inte elverkytet i närheten av antändbara material.** Gnistor kan antända dessa material.
- p) **Använd inte tillbehör som kräver flytande kylmedia.** Användning av vatten eller andra kylvätskor kan ge upphov till dödande elchock eller chock.
- q) **Låt inte någon lös del av polerhättan eller dess fäststrängar snurra fritt.** Ta bort eller trimma lösa fäststrängar. Lösa och snurrande fäststrängar kan trassla ihop fingrarna eller fastna på arbetsstycket.
- r) **Tryck inte på spindellåset förrän verktyget stannar.**

Bakslag och relaterade varningar

Bakslag är en snabb reaktion på en klämd eller upphakad slipskiva, slipprondell, borste eller något annat tillbehör. Klämning eller upphakning orsakar snabbt stopp på det roterande tillbehöret som i sin tur orsakar det okontrollerade elverkytet att forceras i motsatt riktning av tillbehörets rotation vid punkten av kärvningen. Till exempel, om en slipskiva hakas upp eller kläms av arbetsstycket, kan slipkanten som går in i klämpunkten gräva i materialytan och orsaka att skivan klättrar eller sparkas ut. Skivan kan antingen hoppa mot eller från operatören, beroende på skivans rörelseriktning vid klämpunkten. Slipskivor kan också gå sönder under dessa förhållanden. Bakslag är resultatet av elverkytets missbruk och/eller av felaktiga arbetsrutiner eller arbetsförhållanden och kan undvikas genom att vidtaga lämpliga försiktighetsåtgärder som anges nedan.

- a) **Behåll ett fast grepp på elverkytet och placera armen så att du kan motstå bakslagskrafter. Använd alltid extra handtaget, om medlevererat, för maximal kontroll över bakslag eller vridmomentsreaktion under start.** Operatören kan kontrollera vridmomentsreaktioner eller bakslagskrafter, om lämpliga försiktighetsåtgärder vidtas.
- b) **Placera aldrig handen i närheten av det roterande tillbehöret.** Tillbehöret kan slå tillbaka över handen.
- c) **Placera inte din kropp i området där elverkytet kommer att röra sig om bakslag inträffar.** Bakslaget kommer att driva verktyget i motsatt riktning till skivans rörelse vid upphakningspunkten.
- d) **Var speciellt försiktig när du arbetar hörn, skarpa kanter etc. Undvik vertikal vibrering och upphakning av tillbehöret.** Hörn, skarpa kanter eller vertikal vibrering har tendens att haka upp det roterande tillbehöret och orsaka förlust av kontroll eller bakslag.
- e) **Anslut inte en sågkedja blad för träsnideri eller tandat blad.** Sådana blad skapar ofta bakslag och förlust av kontroll.

Elektrisk säkerhet

Kontrollera alltid att strömförsörjningens spänning överensstämmer med spänningen på märkplåten.

- Använd inte maskinen om nätkabeln eller nätkontakten är skadad. Om strömsladden är skadad måste den bytas ut mot en speciellt preparerad strömsladd som finns att få genom serviceorganisationen.
- Använd endast förlängningskablar som är lämpliga för maskinens nominella effekt, minst 1.5 mm² tjocka. Om förlängningskabel på trumma används måste kabeln alltid rullas ut helt.

2. MASKININFORMATION**Avsedd användning**

Denna maskin är avsedd för polering och borstning av metall och belagda ytor.

TEKNISKA SPECIFIKATIONER

Modell-nr.	PM507AC / S_PM507AC
Spänning	230-240V~
Frekvens	50Hz
Ineffekt	400W
Tomgångshastighet	2000-6800 /min
Skivdiameter	75 mm / 50 mm
Vikt	1,5 kg
L _{PA} (ljudtrycksnivå)	80 dB(A), K= 3 dB(A)
L _{WA} (akustisk effekt)	91 dB(A), K= 3 dB(A)
Vibrationsvärde ah,P	3,08 m/s ² , K= 1.5 m/s ²

Vibrationsnivå

Vibrationsemissionsvärdet som står på baksidan av den här instruktionsboken har uppmätts enligt ett standardiserat test i enlighet med EN 62841; detta värde kan användas för att jämföra vibrationen hos olika verktyg och som en ungefärlig uppskattning av hur stor vibration användaren utsätts för när verktyget används enligt det avsedda syftet:

- vibrationsutsläppet under faktisk användning av elverktyget kan skilja sig från det deklarerade totala värdet beroende på hur verktyget används;
- behovet att identifiera säkerhetsåtgärder för att skydda operatören baserat på en uppskattning

av exponeringen under de faktiska användningsförhållandena (bedömningen ska även ta hänsyn till alla moment i arbetscykeln, t.ex. när verktyget är avstängt och när det går på tomgång såväl som när det faktiskt används).

Skydda dig mot vibration genom att underhålla verktyget och dess tillbehör, hålla händerna varma och styra upp ditt arbetssätt.

BESKRIVNING

Siffrorna i texten nedan hänvisar till bilderna på sid 2.

1. Strömbrytare
2. Hastighetsjusteringsratt
3. Grepp
4. Bakplatta
5. Polerdyna
6. Nyckel
7. Spindel

3. MONTERING

Innan montering ska du alltid stänga av maskinen och dra ut nätkontakten ur vägguttaget.

Montering och borttagning av tillbehör (fig. A, B)

Se till att använda rätt stillbehör för motsvarande material. Använd endast oskadade och rena poleringstillbehör.

Bakplatta

1. Placera maskinen på baksidan.
2. Placera skiftnyckeln (6) för att koppla in lägenheterna på spindeln (7). Det kan vara nödvändigt att vrida stödplattan (4) för att exponera spindelns (7) plattor.
3. Håll spindeln (7) med skiftnyckeln (5) och vrid stödplattan (4) medurs (för hand) för att dra åt den.

Polerdyna

1. Placera maskinen på baksidan.
2. Tryck fast poleringsdynan (5) på kroken och stödplattans ögla (4).

För att ta bort dynan (5), dra helt enkelt slippappret från slipdynan (4).

4. DRIFT

Ingångsättning och avstängning (fig. A)

- Flytta strömbrytaren (1) framåt för att slå på maskinen.
- Flytta strömbrytaren (1) bakåt för att stänga av maskinen.

Ställa in hastigheten (fig. A)

Hastighetsjusteringsratten (2) används för att ställa in hastigheten. Hastighetsjusteringsratten (2) kan ställas in i 6 lägen. Den idealiska hastigheten beror på användning och på materialet som ska bearbetas.



Ställ inte in hastigheten under användningen.

- Vrid hastighetsjusteringsratten (2) till önskat läge.

5. UNDERHÅLL



Innan rengöring och underhåll ska du alltid stänga av maskinen och dra ut nätkontakten ur vägguttaget.

Rengör maskinen hus regelbundet med en mjuk trasa, helst efter varje gång du använder maskinen. Se till att ventilationsöppningarna är fria från damm och smuts. Ta bort mycket ihållande smuts med en mjuk trasa fuktad med tvållösning. Använd inte lösningsmedel som bensin, alkohol, ammoniak osv. Sådana kemikalier skadar de syntetiska komponenterna.

MILJÖ



Felaktig och/eller kasserad elektrisk eller elektronisk utrustning måste lämnas in på lämpliga återvinningsstationer.

Endast för EU-länder

Släng inte elverktyg i hushållsavfallet. Enligt det europeiska WEEE-direktivet 2012/19/EU för avfall från elektrisk och elektronisk utrustning och dess tillämpning nationellt ska elverktyg som inte längre kan användas samlas in separat och kasseras på ett miljövänligt sätt.

GARANTI

VONROC produkter är utvecklade enligt högsta kvalitetsstandard och garanteras vara utan defekter både vad gäller material och tillverkning under den period som stipuleras enligt lag med början från ursprungligt inköpsdatum. Om något fel uppstår på produkten under denna period på grund av material- och/eller tillverkningsfel skall VONROC kontaktas direkt.

Följande omständigheter exkluderas från denna garanti:

- Reparationer eller ändringar som gjorts eller försökt göras på maskinen av ett icke auktoriserat servicecenter.
- Normalt slitage.
- Verktyget har missbrukats, använts fel eller underhållits på felaktigt sätt.
- Icke-originalreservdelar har använts.

Detta utgör hela garantin från företaget, antingen uttryckt eller underförstått. Det finns inga andra garantier, uttalade eller underförstådda som gäller utöver ordalydelsen härav, häri, inklusive de uttalade garantierna för säljbarhet och lämplighet för ett särskilt syfte. Under inga omständigheter skall VONROC hållas ansvarig för några oförutsedda eller indirekta skador. Återförsäljarens åtgärder skall begränsas till reparation eller byte av felaktiga enheter eller delar.

Med förbehåll för ändringar i produkten och bruksanvisningen. Specifikationer kan ändras utan förvarning.

1. SIKKERHEDSANVISNINGER

Læs de medfølgende sikkerhedsadvarsler, de supplerende sikkerhedsadvarsler og instruktionerne. Såfremt sikkerhedsadvarsler og instruktioner ikke følges, kan dette medføre elektriske stød, brand og/eller alvorlige ulykker. Gem alle sikkerhedsadvarsler og instruktioner til fremtidig reference.

Følgende symboler anvendes i denne brugermanual eller på produktet:



Læs brugermanualen.



Angiver risiko for personskade, dødsfald eller beskadigelse af varmeren i tilfælde af manglende overholdelse af anvisningerne i denne vejledning.



Risiko for elektrisk stød.



Variabel hastighedsregulering.



Bær en støvmaske.



Brug beskyttelsesbriller. Brug høreværn.



Klasse II-maskine – Dobbeltisoleret – Du har ikke brug for et jordstik.



Produktet overholder de gældende sikkerhedsstandarder i de europæiske direktiver.

GENERELLE SIKKERHEDSFORSKRIFTER



Advarsel! Læs alle sikkerhedsadvarsler og alle anvisninger. Hvis alle nedenstående instruktioner ikke følges, kan det resultere i elektrisk stød, brand og/eller alvorlig personskade.

Gem disse instruktioner.

Udtrykket "elektrisk maskine" i alle advarslerne nedenfor henviser til elektriske maskiner/værktøj/redskaber, der via en ledning tilkobles elnettet eller strømforsynes via batteri (accu).

1) Arbejdsområde

- a) **Arbejdsområdet skal være rent og tilstrækkeligt belyst.** Rodede og mørke arbejdsområder giver større risiko for ulykker.

- b) **Brug ikke elektriske maskiner i eksplosive omgivelser, f.eks. i nærheden af brandfarlige væsker, gasser eller støv.** Elektriske maskiner frembringer gnister, som kan antænde støv eller dampe.
- c) **Hold børn og omkringstående på afstand, når der bruges elektriske maskiner.** Hvis man distraheres, kan man miste kontrollen over den elektriske maskine.

2) Elektrisk sikkerhed

- a) **Stik til elektriske maskiner skal passe til stikkontakten. Der må ikke foretages ændringer af stikket. Brug ikke snydepropper til jordede (jordforbundne) elektriske maskiner.** Originale stik og tilsvarende kontakter mindsker risikoen for elektrisk stød.
- b) **Undgå kropskontakt med jordede eller jordforbundne overflader som f.eks. rør, radiatorer, komfurer og køleskabe.** Der er øget risiko for elektrisk stød, hvis kroppen er jordet eller jordforbundet.
- c) **Elektriske maskiner må ikke udsættes for regn eller våde omgivelser.** Hvis der kommer vand i den elektriske maskine, øges risikoen for elektrisk stød.
- d) **Brug ikke ledningen forkert. Brug ikke ledningen til at bære eller trække maskinen og heller ikke for at tage ledningen ud af stikkontakten. Hold ledningen væk fra stærk varme, olie, skarpe kanter og bevægelige dele.** Beskadigede eller filtrede ledninger øger risikoen for elektrisk stød.
- e) **Når en elektrisk maskine bruges udendørs, skal man bruge en forlængerledning, der er beregnet til udendørs brug.** Hvis der bruges en forlængerledning, der er beregnet til udendørs brug, mindskes risikoen for elektrisk stød.
- f) **Hvis det ikke kan undgås at bruge et maskinværktøj i et fugtigt miljø, bør du anvende en forsyning, der er beskyttet af en fejlstrømsafbryder (RCD).** Brugen af en RCD reducerer risikoen for elektrisk stød.

3) Personlig sikkerhed

- a) **Vær agtpågivende, hold øjnene rette mod det, du laver, og brug almindelig sund fornuft, når du bruger en elektrisk maskine. Brug ikke en elektrisk maskine, hvis du er træt eller er under påvirkning af narkotika, alkohol eller medicin.** Et øjeblikvis uopmærksomhed under arbejdet med en elektrisk maskine kan resultere i alvorlig personskade.
- b) **Brug personligt sikkerhedsudstyr. Brug altid beskyttelsesbriller.** Sikkerhedsudstyr som

- støvmaske, skridsikre sko, hjelm eller høreværn, brugt når det er nødvendigt, mindsker risikoen for personskade.
- c) **Undgå utilsigtet start. Sørg for, at der er slukket på afbryderen, før stikket sættes i stikkontakten.** Hvis maskinværktøj bæres med fingeren på kontakten, eller når maskinværktøj strømføres med tændt kontakt, kan der nemt ske ulykker.
- d) **Fjern justeringsnøgler og tænger, før der tændes for den elektriske maskine.** En tang eller nøgle, der sidder på en roterende del af den elektriske maskine, kan resultere i personskade.
- e) **Ræk ikke for langt ud. Stå sikkert på fødderne og vær altid i god balance.** Det giver bedre kontrol over maskinen i uventede situationer.
- f) **Tag passende tøj på. Bær ikke løstsiddende tøj eller smykker. Hold hår, tøj og handsker væk fra bevægelige dele.** Løstsiddende tøj, smykker eller langt hår kan blive grebet af bevægelige dele.
- g) **Hvis der forefindes tilslutning til støvudsugning og -opsamling, skal man sørge for, at udstyret er tilsluttet og bruges.** Brug disse muligheder for at mindske risikoen for støvrelaterede risici.
- h) **Lad ikke kendskab opnået gennem hyppig brug af værktøj lade dig blive tilbagelænet og ignorere værktøjssikkerhedsprincipper.** En skødesløs handling kan forårsage alvorlig personskade inden for en brøkdel af et sekund.
- 4) Brug og behandling af elektriske maskiner**
- a) **Brug ikke magt på den elektriske maskine. Brug kun den elektriske maskine til det, den er beregnet til.** Den rette elektriske maskine gør arbejdet bedre og mere sikkert ved den effekt, der er foreskrevet.
- b) **Brug ikke den elektriske maskine, hvis afbryderen ikke kan tænde og slukke.** En elektrisk maskine, der ikke kan tændes og slukkes på afbryderen, er farlig og skal repareres.
- c) **Tag stikket ud af stikkontakten før justering, udskiftning af tilbehør, og før den elektriske maskine gemmes væk.** Sådanne forebyggende sikkerhedsforanstaltninger mindsker risikoen for, at den elektriske maskine starter ved et uheld.
- d) **Elektriske maskiner, der ikke bruges, skal opbevares utilgængeligt for børn, og personer, der ikke har kendskab til den elektriske maskine eller disse instruktioner, må ikke bruge den elektriske maskine.** Elektriske maskiner er farlige i hænderne på uvædede personer.
- e) **Elektriske maskiner skal vedligeholdes. Check for forkert justering og fastsiddende bevægelige dele, defekte dele og andre ting, som kan påvirke den elektriske maskines korrekte funktion. Hvis den elektriske maskine er beskadiget, skal den repareres før brug.** Mange ulykker skyldes, at elektriske maskiner er dårligt vedligeholdt.
- f) **Skærende værktøj skal holdes skarpe og rene.** Korrekt vedligeholdt skærende værktøj med skarpe skær kommer ikke så let til at sidde fast og er nemmere at styre.
- g) **Brug den elektriske maskine, tilbehør, tool-bits osv. i henhold til disse instruktioner og på den måde, som denne specielle maskine er beregnet til, idet man skal tage hensyn til arbejdsforholdene og arbejdet, der skal udføres.** Brug af den elektriske maskine til andet, end den er beregnet til, kan resultere i farlige situationer.
- h) **Hold håndtag og gribeplader tørre, rene og fri fra olie og fedtstof.** Glatte håndtag og gribeplader giver ikke mulighed for sikker håndtering og kontrol af værktøjet i uventede situationer.
- 5) Batteriværktøj anvendelse og vedligeholdelse**
- a) **Genoplad kun med oplader som er specificeret af fabrikanten.** En oplader som er anvendelig for en type batteripakning kan forårsage brand, når den anvendes med en anden batteripakning.
- b) **Anvend kun elektroværktøj med særlig egnede batteripakninger.** Anvendelse af enhver anden batteripakning kan give risiko for ulykker og brandfare.
- c) **Når batteripakning ikke anvendes, holdes det altid på afstand af enhver metalgenstand såsom papirklips, mønter, nøgler, søm eller andre små metal genstande der kan lave en forbindelse fra én terminal til en anden.** Ved at kortslutte batteriterminalerne sammen kan forårsage brandfare.
- d) **Under dårlige forhold kan væske udløbe fra batteriet; undgå kontakt med dette. Hvis kontakt alligevel forekommer, skylles der med vand. Hvis væske kommer i øjnene, skal der øjeblikkeligt søges lægehjælp.** Væske som udløber fra batteriet kan forårsage irritationer og forbrændinger.
- e) **Brug ikke en batteripakke eller et værktøj, der er beskadiget eller modificeret.** Beskadigede eller modificerede batterier kan udvise uforudsigelig adfærd, hvilket resulterer i brand, eksplosion eller risiko for personskade.
- f) **Undlad at udsætte en batteripakke eller et værktøj for åben ild eller for høj temperatur.** Udsættelse for åben ild eller temperatur over

130 °C kan forårsage eksplosion. BEMÆRK Temperaturen „130 °C“ kan erstattes af temperaturen „265 °F“.

- g) **Følg alle opladningsinstruktioner, og oplad ikke batteripakken eller værktøjet uden for temperaturintervallet specificeret i instruktionerne.** Forkert opladning eller opladning ved temperaturer uden for det specificerede interval kan beskadige batteriet og øge risikoen for brand.
- 6) **Service**
- a) **Få foretaget service på dit maskinværktøj af en kvalificeret reparatør, der kun bruger identiske udskiftningsdele.** Dette sikrer, at maskinværktøjet fortsat er sikkert at bruge.
- b) **Foretag aldrig service på beskadigede batteripakker.** Service af batteripakker bør kun udføres af producenten eller autoriserede serviceudbydere.

YDERLIGERE SIKKERHEDSADVARSLER FOR POLISER

- a) **Dette elværktøj er påtænkt at fungere som en slibemaskine, stålborste eller pudsemaskine. Læs alle sikkerhedsadvarsler, instruktioner, illustrationer og specifikationer, der følger med dette elværktøj.** Manglende overholdelse af alle nedenstående instruktioner kan medføre elektrisk stød, brand og/eller alvorlig personskade.
- b) **Det anbefales ikke at anvende dette el-værktøj til slibning, finpudsning, stålborstebehandling eller skæring.** Anden brug end den, elværktøjet er fremstillet til, kan udgøre en fare og forårsage personskade.
- c) **Anvend intet tilbehør, som ikke er specielt designet og anbefalet af værktøjsproducenten.** Det, at tilbehøret kan fastgøres til dit elektrisk drevne værktøj, er ikke ensbetydende med sikker drift.
- d) **Tilbehørets arbejdsbelastning skal mindst svare til den maksimale hastighed der er angivet på det elektrisk drevne værktøj.** Tilbehør, der kører hurtigere end deres arbejdsbelastning, kan knække og flyve fra hinanden.
- e) **Den udvendige diameter og tykkelsen af dit tilbehør skal være inden for dit elektrisk drevne værktøjs kapacitetsmæssige arbejdsbelastning.** Tilbehør, der ikke er korrekt dimensioneret, kan ikke blive tilstrækkeligt overvåget eller kontrolleret.
- f) **Gevindmontering af tilbehør skal passe til slibeværktøjets spindelgevind.** For tilbehør, der flangemonteres, skal tilbehørets buehul passe til flangens placeringsdiameter. Tilbehør, som ikke passer til el-værktøjets monteringsdele, kører uregelmæssigt, vibrerer for meget og kan forårsage, at man mister kontrollen.
- g) **Anvend aldrig ødelagt udstyr. Kontrollér udstyret før hver brug for f.eks. slibehjul til fliser og revner, støtteunderlag til revner, normal slitage, wireborste til løse eller revnede wirer. Hvis det elektrisk drevne værktøj eller udstyr har været tabt, kontrollér det for beskadigelser og installer ubeskadiget udstyr. Efter inspektion og installation af noget udstyr anbring dig selv og tilskuere på afstand af det roterende udstyr og kør det elektrisk drevne værktøj ved maksimum ingen lasthastighed i et minut.** Ødelagt udstyr vil normalt knække i løbet af denne testtid.
- h) **Bær personligt beskyttelsesudstyr. Afhængigt af anvendelse bær ansigtsskærm, beskyttelses- eller sikkerhedsbriller. Alt efter omstændigheder bær støvmaske, høreværn handsker og værkstedsforklæde, der kan stoppe små sliberester eller rester fra arbejdsemner.** Øjeværn skal kunne stoppe flyvende brokker genereret af forskellige arbejdsprocesser. Støvmasken eller respirator skal kunne filtrere partikler, genereret af din arbejdsproces. Forlænget udsættelse til høj støjløvlumen kan forårsage høretab.
- i) **Hold tilskuere på en sikker afstand fra arbejdsområdet. Alle, som færdes på arbejdsområdet skal bære personligt beskyttelsesudstyr.** Der kan være flyvende fragmenter fra arbejdsemner eller fra knækket udstyr, der kan forårsage kvæstelser tæt på arbejdsområdet.
- j) **Hold udelukkende på det elektrisk drevne værktøjs isolerede greb under udførelse af arbejdet hvor skæreudstyret kan komme i kontakt med skjulte ledninger eller egen ledning.** Hvis skæreudstyr kommer i kontakt med en "levende" wire, kan det gøre udsatte metaldele fra det elektrisk drevne værktøj "levende" og give operatøren chok.
- k) **Anbring ledningen på afstand af rotationsudstyr.** Hvis du mister kontrollen, kan ledningen blive skåret over eller hænge fast, og din hånd eller arm kan blive trukket ind i det roterende udstyr.
- l) **Læg aldrig det elektrisk drevne værktøj fra dig, før strømmen er slået fra.** Det roterende udstyr kan gribe fast i overfladen og kan trække det elektrisk drevne værktøj ud af din kontrol.
- m) **Arbejd ikke med det elektrisk drevne værktøj, mens du bærer det ned langs siden.** En uheldig

- kontakt med det roterende udstyr kunne gribe fast i dit tøj og trække udstyret ind i din krop.
- n) **Rengør regelmæssigt det elektrisk drevne værktøjs ventilationshuller.** Motorens blæser vil trække støv ind i huset og den usædvanlig kraftige akkumulation af sprængt metal kan forårsage elektriske risici.
 - o) **Arbejd ikke med det elektrisk drevne værktøj tæt ved brandbare materialer.** Gnister kan antænde disse materialer.
 - p) **Anvend ikke udstyr, der kræver flydende kølevæske.** Brug af vand eller anden flydende kølevæske kan resultere i elektrisk aflivning eller chok.
 - q) **Lad ikke nogen del af poleringsbetrækket eller dens fastgørelsesstreng rotere frit.** Træk eventuelle løse fastgørelsesstreng væk eller klip dem. Løse og roterende fastgørelsesstreng kan vikle dine fingre ind eller hænge fast i arbejdsemnet.
 - r) **Stop ikke spindellåsen, indtil værktøjet stopper.**

Bagslag og beslægtede advarsler

Bagslag er en hurtig reaktion på et klemt eller fanget roterende hjul, støtteunderlag, børste eller andet udstyr. Klemte eller fangne dele forårsager hurtig blokering af det roterende udstyr som omvendt forårsager, at det ikke kontrollerede elektrisk drevne værktøj bliver tvunget i retningen modsat udstyrets rotation ved bindingspunktet. Eksempelvis hvis et slibehjul bliver klemt eller fanget af arbejdsemnet, kan det hjørne af hjulet, der går ind i klemningspunktet, grave sig ind i overfladen på materialet og kan forårsage, at hjulet kører opad eller slår bagud. Hjulet vil enten springe frem mod eller væk fra operatøren, afhængigt af hjulets bevægelse ved klemningspunktet. Slibehjul kan også knække under disse forhold. Tilbagefald er resultatet af misbrug og/eller ukorrekte arbejdsprocedurer eller forhold i forbindelse med betjening af det elektrisk drevne værktøj, og det kan undgås ved at tage korrekte forholdsregler som angivet nedenfor:

- a) **Hold godt fast ved det elektrisk drevne værktøj og anbring din krop og arm, så du kan modstå tilbagefaldskræfter. Brug altid støttehåndtaget, hvis det findes, for maksimal kontrol over tilbagefald eller drejningsreaktion under opstart.** Operatøren kan kontrollere drejningsreaktioner eller tilbagefaldskræfter, hvis der tages korrekte forholdsregler.

- b) **Anbring aldrig din hånd tæt ved roterende udstyr.** Udstyr kan få tilbagefald over din hånd.
- c) **Anbring ikke din krop i det område, hvor det elektrisk drevne værktøj vil bevæge sig, hvis der opstår tilbagefald.** Tilbagefald vil drive værktøjet i retningen modsat hjulets bevægelse ved det punkt, det hænger fast.
- d) **Udvis speciel omhu, når der arbejdes med hjørner, skarpe kanter osv. Undgå at udstyret hopper og snapper.** Hjørner, skarpe kanter eller hopning har en tendens til at få det roterende udstyr til at hænge fast og forårsage tab af kontrol og tilbagefald.
- e) **Tilføj ikke et savkæde træskærerblad eller tandet savblad.** Sådanne blade giver hyppigt tilbagefald og tab af kontrol.

Elektrisk sikkerhed



Kontroller altid, at strømforsyningens spænding svarer til spændingen på typeskiltet.

- Brug ikke maskinen, hvis strømkablet eller stikket er beskadiget. Hvis forsyningsledningen til dette elværktøj er beskadiget, skal det udskiftes med en specielt forberedt forsyningsledning, som fås gennem servicevirksomheden.
- Brug kun forlængerledninger, der passer til maskinens spænding og som har en minimumtykkelse på 1.5 mm². Hvis du anvender en kabeltromle, skal kablet altid ruller helt ud.

2. MASKINOPLYSNINGER

Tilsigtet brug

Denne maskine er beregnet til polering og børstning af metal og belagte overflader.

TEKNISKE SPECIFIKATIONER

Model nr.	PM507AC / S_PM507AC
Spænding	230-240V~
Frekvens	50Hz
Indgangseffekt	400W
Tomgangshastighed	2000-6800 /min
Skivediameter	75 mm / 50 mm
Vægt	1,5 kg
L _{PA} (Lydtrykniveau)	80 dB(A), K= 3 dB(A)
L _{WA} (Lydeffekt)	91 dB(A), K= 3 dB(A)
Vibration ah,P	3,08 m/s ² , K= 1.5 m/s ²

Vibrationsniveau

Det vibrationsniveau, der er anført bag på denne betjeningsvejledning er målt i henhold til den standardiserede test som anført i EN 62841; den kan benyttes til at sammenligne to stykker værktøj og som en foreløbig bedømmelse af udsættelsen for vibrationer, når værktøjet anvendes til de nævnte formål:

- vibrationsemissionen under den reelle brug af el-værktøjet kan afvige fra den erklærede samlede værdi afhængigt af de måder, værktøjet bruges på;
- behovet for at identificere sikkerhedsforanstaltninger for at beskytte operatøren, der er baseret på den estimerede eksponering under de reelle brugsbetingelser (hvor der tages hensyn til alle dele af driftscyklussen, f.eks. de tidspunkter, hvor værktøjet er slukket, og når det kører inaktivt ud over udløsertiden).

Beskyt dig selv imod virkningerne af vibrationer ved at vedligeholde værktøjet og dets tilbehør, ved at holde dine hænder varme og ved at organisere dine arbejdsmønstre.

BESKRIVELSE

Tallene i den følgende tekst korresponderer med afbildningen på side 2.

1. Tænd/sluk-kontakt
2. Knap til hastighedsjustering
3. Greb
4. Bagsideplade
5. Poleringspude
6. Nøgle
7. Spindel

3. MONTERING



Inden montering, skal maskinen altid slukkes, og netstikket skal tages ud af stikkontakten.

Montering og fjernelse af tilbehør (fig. A, B)

Sørg for at bruge det rette tilbehør til det tilsvarende materiale. Brug kun ubeskadiget og rent poleringstilbehør.

Bagsideplade

1. Stil maskinen på dens bagside.
2. Placer nøglen (6) for at tilkoble de flade sider på spindlen (7). Det kan være nødvendigt at

rotere bagsidepladen (4) for at eksponere spindlens (7) flade sider.

3. Mens du holder spindlen (7) med nøglen (5), skal du rotere bagsidepladen (4) med uret (med hånden) for at stramme den.

Poleringspude

1. Stil maskinen på dens bagside.
2. Tryk poleringspuden (5) fast på bagsidepladen med burrelukke (4).

For at fjerne puden (5) skal du blot trække puden fra bagsidepladen (4).

4. BETJENING

Tænd og sluk (fig. A)

- Tænd for maskinen ved at skubbe tænd/sluk-kontakten (1) til forsiden.
- Sluk for maskinen ved at skubbe tænd/sluk-kontakten (1) til bagsiden.

Indstilling af hastigheden (fig. A)

Knappen til hastighedsjustering (2) bruges til at indstille hastigheden. Knappen til hastighedsjustering (2) kan indstilles i 6 positioner. Den ideelle hastighed afhænger af anvendelsen og af det materiale, der skal bearbejdes.



Indstil ikke hastigheden under brug.

- Drej knappen til hastighedsjustering (2) til den ønskede position.

5. VEDLIGEHOLDELSE



Inden rengøring og vedligeholdelse skal maskinen altid slukkes, og netstikket skal tages ud af stikkontakten.

Rengør maskinbeklædningerne regelmæssigt med en blød klud, helst efter hver anvendelse. Sørg for, at der ikke er støv eller snavs i ventilationsåbningerne. Fjern snavs, der sidder meget godt fast, med en blød klud, der er fugtet i sæbevand. Brug ikke opløsningsmidler, som f.eks. benzin, sprit, ammoniak osv. Kemikalier som disse beskadiger de syntetiske komponenter.

MILJØ



Defekte og/eller bortskaffede elektriske og elektroniske apparater skal afleveres på en passende genbrugsstation.

Kun for EU-lande

Smid ikke el-værktøjer ud sammen med almindeligt affald. I henhold til de europæiske direktiver 2012/19/EU for elektrisk og elektronisk udstyr og er implementeret i henhold til nationale rettigheder, el-værktøj som ikke længere er anvendelig skal indsamles separat og genbruges på en miljøvenlig måde.

GARANTIVILKÅR

VONROC produkter er udviklet efter de højeste kvalitetsstandarder og er garanteret fri for mangler i såvel materialer som udførelse i den lovpligtige periode, der starter fra datoen for det oprindelige køb. Skulle produktet udvikle nogen fejl i løbet af denne periode på grund af defekte materialer og/eller fabrikationsfejl, så kontakt VONROC direkte.

De følgende forhold er udelukket fra denne garanti:

- Reparationer og eller rettelser er blevet foretaget eller forsøgt foretaget på maskinen af uautoriserede servicecentre.
- Normal slitage.
- Værktøjet har været misligholdt, misbrugt eller vedligeholdt forkert.
- Ikke originale reservedele er blevet anvendt.

Dette udgør den eneste garanti fra virksomheden enten udtrykt eller underforstået. Der er ingen andre garantier udtrykt eller underforstået, som strækker sig ud over forsiden heraf, heri, herunder underforståede garantier for salgbarhed og egnethed til et bestemt formål. VONROC vil under ingen omstændigheder være ansvarlig for hændelige skader eller følgeskader. Forhandlernes afhjælpningsmidler vil være begrænsede til reparation eller udskiftning af fejlbehæftede enheder eller dele.

Produktet og brugermanualen kan ændres. Specifikationer kan ændres uden forudgående varsel.

1. INSTRUKCJE BEZPIECZEŃSTWA

Należy zapoznać się z ostrzeżeniami dotyczącymi bezpieczeństwa, dodatkowymi ostrzeżeniami i instrukcjami. Niestosowanie się do ostrzeżeń dotyczących bezpieczeństwa może zakończyć się porażeniem przez prąd, pożarem i/lub poważnymi obrażeniami ciała. Ostrzeżenia dotyczące bezpieczeństwa oraz instrukcję należy przechowywać w dostępnym miejscu.

W podręczniku użytkownika urządzenia lub na urządzeniu umieszczono następujące symbole:



Przeczytać podręcznik użytkownika.



W razie nie przestrzegania danej instrukcji obsługi może powstać ryzyko zranienia oraz zginięcia personelu lub uszkodzenia narzędzia.



Ryzyko porażenia prądem.



Zmienna predkosc elektroniczna.



Noś maskę przeciwyfłową.



Używać gogli ochronnych. Stosować osłonę dla uszu.



Maszyna klasy II - Podwójna izolacja – Nie trzeba stosować wtyczek z uziemieniem.



Urządzenie jest zgodne z odpowiednimi normami bezpieczeństwa zawartymi w dyrektywach europejskich.

OGÓLNE ZALECENIA DOTYCZĄCE BEZPIECZEŃSTWA



UWAGA! Przeczytać wszystkie ostrzeżenia dotyczące bezpieczeństwa i wszystkie instrukcje. Nieprzestrzeganie wszystkich poniższych instrukcji może być przyczyną porażenia prądem, pożaru i/lub poważnych obrażeń.

Zachowaj poniższe instrukcje.

Termin „elektronarzędzia akumulatorowe” we wszystkich ostrzeżeniach zamieszczonych poniżej odnosi się do elektronarzędzi akumulatorowych zasilanych sieciowo (przewodowych) lub elektronar-

zędzi akumulatorowych działających na baterie (beprzewodowych).

1) Obszar roboczy

- a) **Obszar roboczy należy utrzymywać w czystości.** Powinien on być dobrze oświetlony. Nieład i złe oświetlenie mogą z łatwością doprowadzić do wypadku.
- b) **Nie korzystaj z elektronarzędzi akumulatorowych w warunkach, w których łatwo może dojść do wybuchu, np. w obecności łatwopalnych cieczy, gazów lub pyłu.** Podczas pracy elektronarzędzi akumulatorowych powstają iskry, które mogą doprowadzić do zapłonu pyłu lub oparów.
- c) **Dzieci i inne osoby postronne powinny pozostać w bezpiecznej odległości od pracującego urządzenia.** Rozproszenie uwagi może spowodować utratę kontroli nad urządzeniem.

2) Bezpieczeństwo związane z elektrycznością

- a) **Wtyczki elektronarzędzi akumulatorowych muszą być odpowiednie do danego gniazda. Pod żadnym pozorem nie należy modyfikować wtyczki w jakikolwiek sposób. Nie należy używać adapterów, które uziemiają elektronarzędzia akumulatorowe.** Stosowanie wtyczek nie poddanych modyfikacjom oraz odpowiednich gniazd zmniejsza ryzyko porażenia prądem.
- b) **Należy unikać bezpośredniego kontaktu fizycznego z powierzchniami uziemionymi, takimi jak rury, grzejniki, kuchenki, lodówki.** Ryzyko porażenia prądem jest większe, jeśli ciało osoby obsługującej urządzenie jest uziemione.
- c) **Nie należy wystawiać elektronarzędzi akumulatorowych na działanie deszczu lub wilgoci.** Dostanie się wody do wnętrza elektronarzędzia akumulatorowego zwiększy ryzyko porażenia prądem.
- d) **Nie należy używać przewodu w niewłaściwy sposób. Pod żadnym pozorem nie należy wykorzystywać przewodu do przenoszenia lub ciągnięcia elektronarzędzia akumulatorowego, ani do jego odłączania od sieci. Przewodu nie należy wystawiać na działanie ciepła, smarów. Powinien on znajdować się w bezpiecznej odległości od ostrych krawędzi i części ruchomych.** Przewody uszkodzone lub poplątane zwiększają ryzyko porażenia prądem.
- e) **Podczas korzystania z elektronarzędzia akumulatorowego na wolnym powietrzu, należy uży-**

wać przewodu przedłużacza przystosowanego do użytku na zewnątrz. Używanie przewodu nadającego się do użytku na wolnym powietrzu zmniejsza ryzyko porażenia prądem.

- f) **Jeśli obsługa elektronarzędzia w wilgotnym miejscu jest nieunikniona, użyć zasilania wyposażonego w wyłącznik różnicowo-prądowy.** Użycie wyłącznika różnicowo-prądowego zmniejsza ryzyko porażenia prądem.
- ### 3) Bezpieczeństwo osoby obsługującej urządzenie
- a) **Przez cały czas należy mieć się na baczności, uważać na to, co się robi, a w czasie obsługi elektronarzędzia akumulatorowego postępować mając na uwadze zdrowy rozsądek. Urządzenia nie powinny obsługiwać osoby zmęczone lub będące pod wpływem narkotyków, alkoholu lub leków.** Chwila nieuwagi w czasie obsługi elektronarzędzi akumulatorowych może być przyczyną powstania poważnych obrażeń ciała.
 - b) **Należy korzystać ze sprzętu ochronnego oraz zawsze nosić okulary ochronne.** Sprzęt ochronny, jak na przykład maska przeciwpyłowa, antypoślizgowe obuwie ochronne, kask lub słuchawki ochronne używany we właściwych sytuacjach pozwoli na zmniejszenie ryzyka obrażeń ciała.
 - c) **Unikać niezamierzonego uruchomienia. Przed podłączeniem urządzenia do sieci, zawsze sprawdzić, czy przełącznik znajduje się w pozycji „wyłączony”.** Przenoszenie elektronarzędzi z palcem na przełączniku lub włączonych elektronarzędzi z przełącznikiem w położeniu włączenia jest bardzo niebezpieczne i może powodować wypadki.
 - d) **Przed włączeniem elektronarzędzia akumulatorowego należy usunąć z niego wszystkie klucze nastawcze lub maszynowe.** Pozostawienie klucza zamocowanego na jednej z części obrotowych urządzenia może spowodować powstanie obrażeń ciała.
 - e) **Nie należy sięgać ponad urządzeniem. Przez cały czas należy zachować odpowiednią równowagę i zapewnić odpowiednie oparcie dla stóp.** Pozwoli to na lepsze kontrolowanie urządzenia w nieoczekiwanych sytuacjach.
 - f) **Należy nosić odpowiednie ubranie. Do pracy z urządzeniem nie wkładać luźnych ubrań ani biżuterii. Włosy, ubranie i rękawiczki trzymać z dala od części ruchomych.** Luźne części ubrania, biżuteria lub długie włosy mogą zostać wciągnięte przez części ruchome.

- g) **Jeśli w urządzeniu przewidziano elementy służące do odprowadzania i zbierania pyłu, należy sprawdzić, czy są podłączone, i czy działają we właściwy sposób.** Korzystanie z tego typu elementów pozwala ograniczyć ryzyko związane z wydzielaniem pyłu podczas pracy urządzenia.
- h) **Nie zezwalać na to, aby rutyna związana z częstym korzystaniem z narzędzi powodowała nadmierną pewność siebie i ignorowanie zasad bezpiecznego korzystania z narzędzi.** Nieodpowiedzialne działanie może spowodować poważne obrażenia ciała w ułamku sekundy.
- 4) Obsługa i konserwacja elektronarzędzi akumulatorowych**
- a) **Urządzenia nie należy przeciążać. Należy korzystać z narzędzia odpowiedniego do danego typu pracy.** Odpowiednio dobrane urządzenie pozwoli na lepsze i bezpieczniejsze wykonanie pracy, we właściwym dla urządzenia tempie.
- b) **Z elektronarzędzia akumulatorowego nie należy korzystać, jeśli nie można go włączyć i wyłączyć przy pomocy przełącznika.** Urządzenie, którego nie można kontrolować używając przełącznika jest niebezpieczne i powinno być oddane do naprawy.
- c) **Przed przystąpieniem do regulowania elektronarzędzi akumulatorowych, wymiany akcesoriów lub przygotowywania urządzeń do okresu przechowywania, należy odłączyć wtyczkę od źródła zasilania.** Tego typu środki ostrożności zmniejszają ryzyko przypadkowego uruchomienia urządzenia.
- d) **Nieczynne elektronarzędzia akumulatorowe należy przechowywać poza zasięgiem dzieci. Nie należy pozwolić, aby osoby nie znające urządzenia lub niniejszych instrukcji obsługiwały urządzenie.** Elektronarzędzia akumulatorowe w rękach niekompetentnych użytkowników stanowią zagrożenie.
- e) **Elektronarzędzia akumulatorowe należy utrzymywać w dobrym stanie technicznym. Należy sprawdzać, czy części ruchome są właściwie założone, i czy się nie zacinają. Należy również sprawdzać, czy jakieś części nie są uszkodzone oraz sprawdzać wszelkie inne elementy, które mogą wpłynąć na pracę urządzeń. Jeśli urządzenie jest uszkodzone, przed przystąpieniem do jego użytkowania, należy je naprawić.** Częstą przyczyną wypadków jest zły stan techniczny urządzeń.
- f) **Narzędzia służące do cięcia powinny być naostrzone i utrzymywane w czystości.** Jeśli narzędzia służące do cięcia, które posiadają ostre krawędzie tnące, są właściwie konserwowane, istnieje mniejsze prawdopodobieństwo ich zacinań się. Ponadto, łatwiej je kontrolować.
- g) **Elektronarzędzia akumulatorowego, akcesoriów, nakładek, itp. należy używać zgodnie z niniejszymi instrukcjami oraz w sposób właściwy dla danego rodzaju urządzenia, z uwzględnieniem warunków pracy oraz jej rodzaju.** Używanie urządzenia niezgodnie z przeznaczeniem może prowadzić do powstania sytuacji niebezpiecznych.
- h) **Uchwyty należy utrzymywać w stanie suchym, czystym i niezabrudzonym olejem lub smarem.** Śliskie uchwyty i powierzchnie do chwytania nie pozwalają na bezpieczne obchodzenie się z narzędziem i panowanie nad nim w nieoczekiwanych sytuacjach.
- 5) Użytkowanie i konserwacja urządzenia zasilanego akumulatorkami**
- a) **Ładować tylko przy użyciu ładowarki określonej przez producenta.** Ładowarka przewidziana dla jednego rodzaju akumulatorków stwarza ryzyko pożaru w przypadku użycia jej z innym zestawem akumulatorków.
- b) **Należy używać jedynie akumulatorków przeznaczonych dla danego urządzenia.** Użycie innych akumulatorków stwarza ryzyko wystąpienia obrażeń ciała lub pożaru.
- c) **Kiedy akumulatorki nie są używane, należy przechowywać je z dala od przedmiotów metalowych, takich jak spinacze do papieru, monety, klucze, gwoździe, śruby lub inne niewielkie przedmioty metalowe, które mogłyby spowodować zwarcie pomiędzy stykami.** Zwarcie styków akumulatorka może spowodować pożar.
- d) **W przypadku przeciążenia z akumulatorka może wycieknąć płyn; nie należy go dotykać. W razie przypadkowego kontaktu przemyć skórę wodą. W przypadku dostania się płynu do oczu należy skontaktować się z lekarzem.** Płyn z akumulatorka może powodować podrażnienia lub oparzenia.
- e) **Nie używać uszkodzonego ani zmodyfikowanego akumulatorka lub narzędzia.** Uszkodzone lub zmodyfikowane akumulatory mogą działać w sposób nieoczekiwany, co może powodować pożar, wybuch lub ryzyko obrażeń ciała.

- f) **Nie wystawiać akumulatora ani narzędzia na działanie płomienia lub zbyt wysokiej temperatury.** Narażenie na działanie płomienia lub temperatury powyżej 130°C może spowodować wybuch. UWAGA Temperaturę „130 °C“ można zastąpić temperaturą „265 °F“.
- g) **Przestrzegać wszystkich instrukcji ładowania i nie ładować akumulatora ani narzędzia poza zakresem temperatury podanym w instrukcji.** Nieprawidłowe ładowanie lub ładowanie w temperaturze poza podanym zakresem może spowodować uszkodzenie akumulatora i zwiększyć ryzyko pożaru.
- 6) Serwis**
- a) **Zlecać serwisowanie elektronarzędzie wykwalifikowanemu technikowi stosującymi jedynie części zamienne identyczne z oryginalnymi.** Zapewni to zachowanie bezpieczeństwa elektronarzędzia.
- b) **Nigdy nie serwisować uszkodzonych akumulatorów.** Serwisowanie akumulatorów może przeprowadzać wyłącznie producent lub autoryzowany serwis.

DODATKOWE INSTRUKCJE BEZPIECZEŃSTWA DOTYCZY POLEREK

- a) **To elektronarzędzie jest przeznaczone do użytku w roli polerki. Przeczytać wszystkie ostrzeżenia dotyczące bezpieczeństwa, ilustracje oraz dane techniczne dołączone do tego elektronarzędzia.** Nieprzestrzeganie wszystkich instrukcji podanych poniżej może prowadzić do porażenia prądem, pożaru i/lub poważnych obrażeń ciała.
- b) **Nie zalecamy wykonywania tym elektronarzędziem czynności, takich jak szlifowanie, szlifowanie drewna, szcztokowanie szcztką drucianą, polerowanie i odcinanie.** Używanie elektronarzędzia do prac niezgodnych z jego przeznaczeniem może być ryzykowne i powodować obrażenia ciała.
- c) **Nie używać akcesoriów, które nie są specjalnie przeznaczone do tego narzędzia i zalecane przez jego producenta.** Fakt, że akcesorium można podłączyć do elektronarzędzia nie oznacza, że jego użytkowanie będzie bezpieczne.
- d) **Znamionowe obroty akcesorium do szlifowania muszą być co najmniej równe maksymalnym obrotom podanym na elektronarzędziu.** Akcesoria pracujące o obrotami przekraczającymi obroty znamionowe mogą pęknąć i rozlecieć się na kawałki.
- e) **Zewnętrzna średnica i grubość akcesorium muszą mieścić się w zakresie dopuszczalnym dla elektronarzędzia.** Akcesoria o nieodpowiednich rozmiarach nie mogą być poprawnie kontrolowane.
- f) **Akcesoria z mocowaniem gwintowanym muszą pasować do gwintu wrzeczona szlifierki. W przypadku akcesoriów mocowanych za pomocą kołnierza, otwór centralny akcesorium musi pasować do średnicy montażowej kołnierza.** Akcesoria nie pasujące do elementów mocujących elektronarzędzia będą pracować niewyważone, nadmiernie drgać i mogą powodować utratę panowania nad elektronarzędziem.
- g) **Nie używać uszkodzonych akcesoriów. Przed każdym użyciem sprawdzać akcesoria, takie jak tarcze ściernie, pod kątem pęknięć i odłamów, takie jak bębny do szlifowania pod kątem pęknięć, rozerwania lub nadmiernego zużycia, a szcztki druciane pod kątem luźnych lub pękniętych drutów. Jeśli elektronarzędzie lub akcesorium zostanie upuszczone, sprawdzić pod kątem uszkodzeń lub zamocować nieuszkodzone akcesorium. Po sprawdzeniu i zamocowaniu akcesorium ustawić własne ciało oraz osoby postronne z dala od płaszczyzny obrotów akcesorium obrotowego i uruchomić elektronarzędzie z maksymalnymi obrotami bez obciążenia na minutę. Uszkodzone akcesoria zwykle rozpadają się w czasie takiego testu.**
- h) **Nosić środki ochrony osobistej. W zależności od zastosowania stosować tarczę chroniącą twarz lub ochronne okulary. W razie potrzeby nosić maskę przeciwpyłową, ochronniki słuchu, rękawice i roboczy fartuch, zatrzymujący małe elementy cierne lub drobne kawałki obrabianego przedmiotu. Środki ochrony oczu muszą być w stanie zatrzymać wyrzucone w powietrze odłamki powstające podczas różnych prac. Maskę przeciwpyłową lub oddechową musi być w stanie filtrować cząstki powstające podczas wykonywanej pracy. Przedłużona ekspozycja na hałas o wysokim natężeniu może powodować utratę słuchu.**
- i) **Osoby postronne muszą znajdować się w bezpiecznej odległości od obszaru pracy. Każda osoba wchodząca w obszar pracy musi mieć na sobie środki ochrony osobistej. Kawałki obrabianego przedmiotu lub pękniętego akcesorium mogą zostać wyrzucone w powietrze i spowodować obrażenia ciała poza bezpośred-**

- nim obszarem pracy.
- j) **Trzymać narzędzie tylko za izolowane powierzchnie do chwytania podczas wykonywania prac, podczas których osprzęt tnący może zetknąć się z ukrytym okablowaniem.** Zetknięcie się osprzętu tnącego z przewodem pod napięciem może sprawić, że odsłonięte metalowe części narzędzia również będą pod napięciem i spowodować porażenie operatora prądem.
 - k) **Umieszczać przewód zasilania z dala od obracających się akcesoriów.** W razie utraty panowania nad narzędziem przewód może zostać przecięty lub pochwycony, a dłoń lub ręka użytkownika może zostać wciągnięta w obracające się akcesorium.
 - l) **Nigdy nie odkładać elektronarzędzia, dopóki akcesorium całkowicie się nie zatrzyma.** Obracające się akcesorium może zaczepić o powierzchnię i wyrwać elektronarzędzie z rąk użytkownika.
 - m) **Nie włączać elektronarzędzia podczas przenoszenia go u boku.** Przypadkowy kontakt z obracającym się akcesorium może spowodować zaczepienie ubrania, wciągając akcesorium w ciało użytkownika.
 - n) **Regularnie czyścić otwory wentylacyjne elektronarzędzia.** Wentylator silnika wciąga pył do wnętrza obudowy, a nadmierne nagromadzenie się opiłków metalu może powodować zagrożenia elektryczne.
 - o) **Nie używać elektronarzędzia w pobliżu materiałów łatwopalnych.** Iskry mogą spowodować ich zapłon.
 - p) **Nie używać akcesoriów wymagających płynnych chłodziw.** Użycie wody lub innego płynnego chłodziwa może spowodować porażenie prądem.
 - q) **Nie zezwalać, aby luźne części tarczy polerskiej lub jej sznurki mocujące obracały się swobodnie.** Schować lub przyciąć luźne sznurki mocujące. Luźne i wirujące sznurki mocujące mogą się wplątać w palce lub zaczepiać o obrabiany element.
 - r) **Nie wciskać blokady wrzeczona do momentu zatrzymania się narzędzia.**

Ostrzeżenia dotyczące odrzutu itp

Odrzut to nagła reakcja na zablokowanie lub zaczepienie się obracającej się tarczy, paska do szlifowania, szczotki lub innego akcesorium. Ściśnięcie lub zaczepienie powoduje nagłe utknięcie obracającego się akcesorium, co z kolei prowadzi do utraty panowania nad elektronarzędziem i odrzucenia go w kierunku przeciwnym do kierunku obrotów akcesorium.

Na przykład, jeśli tarcza ścierna zostanie zaczepiona lub ściśnięta przez obrabiany przedmiot, krawędź tarczy wchodząca w miejsce ściśnięcia może zagłębić się w powierzchnię materiału, powodując wyskoczenie lub wyrzucenie tarczy. Tarcza może wyskoczyć w kierunku operatora lub od operatora, w zależności od kierunku ruchu tarczy w momencie ściśnięcia. Tarcze ścierne mogą także pękać w takich okolicznościach. Odrzut jest rezultatem błędnego użytkowania elektronarzędzia i/lub stosowania błędnych metod bądź warunków pracy i można go unikać, stosując środki ostrożności opisane poniżej.

- a) **Utrzymywać silny chwyt elektronarzędzia i ustawić ciało oraz ramię tak, aby móc stawiać opór sile odrzutu. Zawsze stosować uchwyt pomocniczy, jeśli jest dołączony, aby uzyskać maksymalne panowanie nad odrzutem oraz reakcją momentu obrotowego podczas rozruchu.** Operator może kontrolować siły odrzutu, przestrzegając odpowiednich środków ostrożności.
- b) **Nigdy nie umieszczać ręki w pobliżu akcesorium obrotowego.** Akcesorium może zostać odrzucone w rękę.
- c) **Nie ustawiać ciała w obszarze, gdzie przemieści się elektronarzędzie w razie wystąpienia odrzutu.** Odrzut pchnie narzędzie w kierunku przeciwnym do ruchu tarczy w punkcie utknięcia.
- d) **Zachować szczególną ostrożność podczas pracy z rogami, ostrymi krawędziami itp. Unikać odbijania i zaczepiania akcesorium.** Rogi, ostre krawędzie lub odbicia często powodują utyknięcie obrotowego akcesorium i utratę panowania nad narzędziem albo odrzut.
- e) **Nie podłączać brzeszczota do cięcia drewna od piły łańcuchowej ani zębatego brzeszczota piły.** Takie tarcze powodują częsty odrzut i utratę panowania.

Bezpieczeństwo elektryczne



Zawsze sprawdzać, czy napięcie w sieci odpowiada napięciu na tabliczce znamionowej urządzenia.

- Nie używać urządzenia, jeśli przewód zasilający lub wtyczka jest uszkodzona. Jeśli kabel zasilania tego elektronarzędzia ulegnie uszkodzeniu, musi zostać wymieniony na specjalny kabel zasilania dostępny w serwisie.
- Używać wyłącznie takich przedłużaczy, które są

odpowiednie dla mocy znamionowej urządzenia, o średnicy minimum 1,5 mm². W przypadku używania przedłużacza na szpuli, całkowicie rozwiniąć przewód.

2. INFORMACJE O MASZYNIE

Przeznaczenie

To narzędzie jest przeznaczone do polerowania i szlifowania metalu i powierzchni malowanych.

DANE TECHNICZNE

Nr modelu	PM507AC / S_PM507AC
Napięcie w sieci	230-240V~
Częstotliwość w sieci	50Hz
Moc	400W
Prędkość bez obciążenia	2000-6800/min
Średnica tarczy	75 mm / 50 mm
Masa	1,5 kg
Ciśnienie dźwięku L _{PA}	80 dB(A), K= 3 dB(A)
Moc akustyczna L _{WA}	91 dB(A), K= 3 dB(A)
Wibracje ah,P	3,08 m/s ² , K= 1,5 m/s ²

Poziom wibracji

Poziom emisji wibracji podany na końcu tej instrukcji został zmierzony zgodnie z testem standaryzowanym podanym w EN 62841; może służyć do porównania jednego narzędzia z innym i jako ocena wstępna narażenia na wibracje w trakcie używania narzędzia do wymienionych zadań

- emisja drgań podczas rzeczywistego użytkowania elektronarzędzia może różnić się od zadeklarowanej wartości całkowitej w zależności od sposobu użytkowania narzędzia,
- konieczne jest określenie środków ochrony operatora w oparciu o szacowane narażenie w rzeczywistych warunkach użytkowania (z uwzględnieniem wszystkich części cyklu pracy, np. czasu, kiedy narzędzie jest wyłączone oraz gdy pracuje na biegu jałowym, poza samym czasem jego włączenia).

Należy chronić się przed skutkami wibracji przez konserwację narzędzia i jego akcesoriów, zakładanie rękawic i właściwą organizację pracy

OPIS

Liczyby w tekście odnoszą się do rysunków na stronie 2.

1. Włącznik
2. Pokrętko regulacji obrotów
3. Uchwyt
4. Podkładka mocująca
5. Tarcza polerska
6. Klucz
7. Wrzeciono

3. MONTAŻ



Przed rozpoczęciem montażu zawsze wyłączać maszynę i wyjmować wtyczkę zasilania sieciowego z gniazdka.

Montaż i demontaż akcesoriów (rys. A, B)

Dopilnować stosowania akcesorium dopasowanego do obrabianego materiału. Stosować wyłącznie nieuszkodzone i czyste akcesoria do polerowania.

Podkładka mocująca

1. Położyć narzędzie na tylnej ścianie.
2. Założyć klucz (6) w taki sposób, aby zacześcić o płaskie elementy wrzeciona (7). Konieczne może być obrócenie podkładki mocującej (4) w celu odstąpienia płaskich elementów wrzeciona (7).
3. Trzymając wrzeciono (7) kluczem (5), obracać podkładkę mocującą (4) zgodnie ze wskazówkami zegara (ręcznie), aby ją dokręcić.

Tarcza polerska

1. Położyć narzędzie na tylnej ścianie.
2. Mocno wcisnąć tarczę polerską (5) na podkładkę mocującą z rzepem (4).

Aby zdjąć tarczę (5), po prostu ściągnąć ją z podkładki mocującej na rzep (4).

4. OBSŁUGA

Włączanie i wyłączenie (rys. A)

- Aby włączyć maszynę, przesunąć włącznik (1) naprzód.
- Aby wyłączyć maszynę, przesunąć włącznik (1) wstecz.

Ustawianie prędkości (rys. A)

Pokrętko regulacji obrotów (2) służy do ustawiania prędkości obrotowej. Pokrętko regulacji obrotów (2) można ustawić na jedno z 6 położeń. Idealna prędkość zależy od zastosowania i obrabianego materiału.



Nie ustawiać prędkości podczas użytku.

- Obrócić pokrętko regulacji obrotów (2) w żądane położenie.

5. KONSERWACJA

Prieš valydami ir atlikdami priežiūros darbus, būtina išjunkite įrenginį ir iš maitinimo lizdo ištraukite kištuką.

Czyścić obudowę narzędzia regularnie miękką ściereczką, najlepiej po każdym użyciu. Dopilnować, aby otwory wentylacyjne były wolne od pyłu i zanieczyszczeń. Usuwać uporczywe zanieczyszczenia miękką ściereczką, lekko nawilżoną wodą z mydłem. Nie używać żadnych rozpuszczalników, jak benzyna, alkohol, amoniak itp., gdyż tego typu chemikalia powodują uszkodzenia części z tworzywa sztucznych.

SRODOWISKO

Uszkodzone i/lub niepotrzebne urządzenia elektryczne lub elektroniczne podlegają zbiórce w odpowiednich punktach recyklingu.

Tylko dla krajów Komisji Europejskiej

Nie wyrzucac elektronarzędzi wraz z odpadami z gospodarstw domowych. Zgodnie z dyrektywa 2012/19/WE dotycząca zużytych urządzeń elektrycznych i elektronicznych oraz jej wdrożeniem do prawodawstwa krajowego, elektronarzędzia, które już nie nadają się do użytku, podlegają oddzielnej zbiórce oraz utylizacji w sposób przyjazny dla środowiska.

GWARANCJA

Produkty VONROC są wytwarzane zgodnie z najwyższymi standardami jakości i producent udziela gwarancji na wady materiałowe i wady wykonania na okres wymagany prawem, licząc od dnia zaku-

pu. Jeśli wystąpi usterka produktu w tym okresie spowodowana wadą materiałową i/lub wadą wykonania, proszę bezpośrednio skontaktować się ze sprzedawcą VONROC.

Następujące okoliczności powodują unieważnienie gwarancji:

- Przeprowadzono naprawy lub modyfikacje narzędzia w serwisie innym lub autoryzowany lub podjęto ich próbę;
- Normalne zużycie nie jest objęte gwarancją;
- Narzędzie było używane niezgodnie z przeznaczeniem, źle z nim się obchodzono lub było nieprawidłowo konserwowane;
- Użyto części zamiennych innych niż oryginalne.

Niniejsza gwarancja to wyłączna gwarancja producenta i nie obowiązują żadne inne wyrażone ani dorozumiane gwarancje. Nie obowiązują żadne inne wyrażone ani dorozumiane gwarancje o zakresie przekraczającym niniejszą gwarancję, co obejmuje dorozumiane gwarancje przydatności do sprzedaży i przydatności do określonego celu. W żadnym przypadku firma VONROC nie ponosi odpowiedzialności za straty przypadkowe lub wynikowe. Zadośćuczynienie sprzedawcy jest ograniczone do naprawy lub wymiany niezgodnych urządzeń lub części.

Produkt i instrukcja obsługi podlegają zmianom. Dane techniczne podlegają zmianom bez przedzenia.

1. INSTRUCȚIUNI DE SIGURANȚĂ

Citiți avertizările de siguranță, avertizările de siguranță suplimentare și instrucțiunile. Nerespectarea avertizărilor de siguranță poate cauza producerea de electrocutări, incendii și/sau răniri grave. Păstrați avertizările de siguranță și instrucțiunile pentru referințe viitoare.

În manualul de utilizare sau pe produs se utilizează următoarele simboluri:



Citiți manualul de utilizare.



Indică riscul de rănire personală, pierderea vieții sau deteriorarea încălzitorului în cazul în care nu se respectă instrucțiunile din acest manual.



Pericol de electrocutare.



Turație variabilă electronic.



Purtați o mască antipraf.



*Purtați ochelari de protecție.
Purtați protecții antifonice.*



Mașină de clasă II - Izolație dublă - Nu aveți nevoie de nicio priză de împământare.



Produsul este în conformitate cu standardele de siguranță aplicabile din directivele europene.

REGULI GENERALE DE PROTECȚIA MUNCII



AVERTISMENT! Citiți toate avertizările de siguranță și toate instrucțiunile. Respectarea tuturor instrucțiunilor prezentate în cele ce urmează este obligatorie pentru evitarea riscurilor de electrocutare, incendiu și/sau de vătămări grave.

Păstrați aceste instrucțiuni.

Termenul "sculă electrică" ce apare în toate avertismentele de mai jos se referă la scula electrică alimentată la priză (prin cablu de alimentare) sau la scula electrică alimentată prin acumulatori (fără cablu de alimentare).

- 1) **Spațiul de lucru**
 - a) **Mentineți spațiul de lucru curat și bine iluminat.** Spațiile de lucru dezordonate și întunecate predispun la accidente.
 - b) **Nu utilizați sculele electrice în medii explozive, ca de exemplu în prezența unor materiale inflamabile cum ar fi lichide, gaze sau praf.** Sculele electrice produc scânteii, care pot aprinde praful sau vaporii.
 - c) **În timpul lucrului cu o sculă electrică, nu lăsați copiii sau privitorii să se apropie.** Micșorarea atenției vă poate face să pierdeți controlul.

2) **Securitatea din punct de vedere electric**

- a) **Ștecherile sculelor electrice trebuie să se potrivească în priza de alimentare. Nu modificați ștecherul niciodată și în nici un fel. Nu folosiți ștechere de adaptare pentru sculele electrice cu legare la pământ (împământate).** Ștecherile nemonificate și prizele de alimentare corespunzătoare vor reduce riscul de electrocutare.
- b) **Evitați contactul corporal cu suprafețele împământate, cum ar fi conducte, radiatoare, plite sau frigider.** Există un risc sporit de electrocutare în cazul în care corpul dumneavoastră este legat la pământ.
- c) **Nu expuneți sculele electrice la ploaie sau la umezeală.** În urma intrării apei într-o sculă electrică va crește riscul de electrocutare.
- d) **Nu forțați cablul de alimentare. Nu folosiți niciodată cablul de alimentare pentru transport, tragerea sau scoaterea din priză a sculei electrice. Țineți cablul de alimentare departe de sursele de căldură, petrol, vârfuri ascuțite sau de piese în mișcare.** Cablurile de alimentare deteriorate sau încălcite duc la creșterea riscului de electrocutare.
- e) **Atunci când folosiți o sculă electrică în exterior, utilizați un prelungitor corespunzător lucrului în exterior.** Utilizarea unui prelungitor corespunzător lucrului în exterior reduce riscul de electrocutare.
- f) **În cazul în care operarea unei unelte electrice într-un spațiu cu umiditate nu poate fi evitată, utilizați o alimentare cu dispozitiv de protecție la curent rezidual (RCD).** Utilizarea unui dispozitiv RCD reduce riscul electrocutării.

3) Securitatea personală

- a) **Atunci când folosiți o sculă electrică fiți concentrat, fiți atent la ceea ce faceți și acționați conform bunului simț. Nu folosiți o sculă electrică atunci când sunteți sub influența drogurilor, alcoolului sau a medicamentelor.** Un moment de neatenție în timpul utilizării sculelor electrice poate duce la vătămări personale grave.
- b) **Utilizați echipamentul de protecție corporală. Folosiți întotdeauna ochelari de protecție.** Folosirea echipamentelor de protecție conform condițiilor de lucru, ca de exemplu măști de praf, încălțăminte de protecție anti-alunecare, căști de protecție sau antifoane va reduce vătămrile personale.
- c) **Evitați pornirea accidentală. Înainte de a introduce scula electrică în priza de alimentare, asigurați-vă că aveți comutatorul de acționare în poziția oPRIT (off).** Transportarea uneltelor electrice ținând degetul pe întrerupător sau alimentarea cu tensiune a uneltelor electrice ce au întrerupătorul în poziția pornit înlesnesc producerea.
- d) **Înainte de a pune în funcțiune scula electrică, îndepărtați toate penele sau cheile de reglare.** O cheie sau o pană care au fost lăsate atașate de o parte rotativă a sculei electrice poate duce la vătămări personale.
- e) **Nu vă întindeți pentru a ajunge la punctul de lucru.** Mențineți permanent un contact ferm al piciorului și un echilibru stabil. În acest fel puteți controla mai bine scula electrică în situații neprevăzute.
- f) **Îmbrăcați-vă în mod adecvat. Nu purtați haine largi sau bijuterii. Părul, hainele și mănușile trebuie menținute departe de părțile în mișcare.** Hainele largi, părul și bijuteriile pot fi agățate și prinse de părțile în mișcare.
- g) **Dacă dispozitivele sunt construite pentru a fi conectate la echipamente de extragere și colectare a prafului, asigurați-vă că aceste echipamente sunt conectate și funcționează corect.** Folosirea unor astfel de echipamente poate reduce pericolele legate de praf.
- h) **Nu lăsați ca obișnuința obținută prin utilizarea frecventă a uneltelor să vă permită să deveniți impasibil și să ignorați principiile de siguranță în utilizarea uneltelor.** O acțiune neglijentă poate provoca accidente grave într-o fracțiune de secundă.

4) Utilizarea și întreținerea sculei electrice

- a) **Nu forțați scula electrică. Folosiți scula electrică adecvată operațiunii care trebuie efectuată.** O sculă electrică adecvată își va efectua mai bine și mai în siguranță sarcina deoarece este folosită la parametrii pentru care a fost proiectată.
- b) **Nu folosiți scula electrică în cazul în care comutatorul de acționare nu realizează pornirea și oprirea acesteia.** Orice sculă electrică ce nu poate fi comandată cu ajutorul comutatorului de acționare este periculoasă și trebuie reparată.
- c) **Înainte de a efectua orice fel de reglaje, schimbări ale accesoriilor sau pe perioada depozitării sculelor electrice deconectați ștecherul de la sursa de energie electrică.** Astfel de măsuri preventive reduc riscul de pornire accidentală a sculei electrice.
- d) **Nu depozitați sculele electrice neutilizate la îndemâna copiilor și nu permiteți persoanelor care nu sunt familiare cu sculele electrice sau cu prezentele instrucțiuni să le utilizeze.** Sculele electrice sunt periculoase atunci când sunt utilizate de către persoane neinstruite.
- e) **Întrețineți sculele electrice. Verificați alinierea sau prinderea părților în mișcare, verificați componentele sculei pentru a vă asigura că nu sunt sparte și, de asemenea, verificați orice alte situații care ar putea afecta funcționarea sculei electrice. Dacă scula electrică se defectează, reparați-o înainte de a o refolosi.** Sculele electrice întreținute necorespunzător duc la producerea multor accidente.
- f) **Mențineți sculele așchietoare ascuțite și curate.** Sculele așchietoare întreținute corespunzător, având muchiile tăietoare ascuțite, se întepenesc mai greu și sunt mai ușor de controlat.
- g) **Utilizați sculele electrice, accesoriile și burghiile etc., în conformitate cu prezentele instrucțiuni și în mod corespunzător tipului de sculă electrică utilizat, ținând seama de condițiile de lucru și de sarcina care trebuie efectuată.** Utilizarea unor scule electrice pentru operații diferite de cele pentru care acestea au fost proiectate poate duce la situații periculoase.
- h) **Țineți mânerul și suprafețele de prindere uscate, curate și lipsite de ulei și unsoare.** Mânere și suprafețele de prindere alunecoase nu permit manipularea și controlul uneltei în de siguranță în situații neașteptate.

5) Utilizarea și întreținerea uneltei cu acumulator

- a) **Încărcați din nou numai cu încărcătorul specificat de producătorul.** Încărcătorul potrivit cu un tip de acumulator poate crea riscul incendiului dacă este utilizat cu un alt acumulator.
- b) **Folosii instrumentele electrice numai cu acumuloare proiectate specific.** Utilizarea oricăror alte acumuloare pot crea riscul accidentului personal și al incendiului.
- c) **În timp ce acumulatorul nu este utilizat, feriți-l de alte obiecte metalice cum ar fi cleme de birou, monede, chei, cuie, șuruburi ori alte obiecte metalice mărunte care ar putea crea conexiunea de la un terminal până la celălalt.** Scurtcircuitarea terminalelor baterii poate cauza sururi sau incendiu.
- d) **Ca urmare a folosirii necorespunzătoare, din acumulator se poate scurge lichid. Evitați contactul cu acesta. În caz de contact accidental, clătiți cu apă. Dacă lichidul intră în contact cu ochi, pe lângă măsurile amintite consultați și un medic.** Lichidul care se scurge din acumulator poate provoca iritarea pielii sau sururi.
- e) **Nu folosiți un acumulator sau o unealtă care este deteriorată sau modificată.** Acumulatorii deteriorați sau modificați pot avea un comportament imprevizibil care rezultă în foc, explozie sau risc de rănire.
- f) **Nu expuneți acumulatorul sau unealta la foc sau temperatură excesivă.** Expunerea la foc sau temperaturi de peste 130 °C poate provoca explozie. OBSERVAȚIE Temperatura „130 °C” poate fi înlocuită cu temperatura „265 °F”.
- g) **Respectați toate instrucțiunile de încărcare și nu încărcați acumulatorul sau unealta în afara intervalului de temperatură specificat în instrucțiuni.** Încărcarea necorespunzătoare sau la temperaturi în afara domeniului specificat poate deteriora acumulatorul și poate crește riscul de incendiu.

6) Service

- a) **Prevedeți repararea uneltei de lucru de către o persoană calificată, folosind exclusiv piese de schimb identice.** Astfel, vă asigurați că este păstrată siguranța uneltei electrice.
- b) **Niciodată nu servișați acumulatorii deteriorați.** Servisarea acumulatorilor ar trebui să fie efectuată numai de către producător sau furnizorii autorizați de service.

AVERTISMENTE SUPPLEMENTARE DE SIGURANȚĂ PENTRU POLISATORI

- a) **Această unealtă electrică este realizată pentru a funcționa ca un aparat de șlefuit, perie de sârmă sau aparat de polișat. Citiți toate avertizările, instrucțiunile și specificațiile furnizate cu această unealtă electrică.** Dacă toate instrucțiunile nu sunt respectate poate rezulta un șoc electric, foc și/sau rănire gravă.
- b) **Operațiunile precum polizarea, șlefuirea, lustruirea cu perii de sârmă sau debitarea nu sunt recomandate pentru a fi efectuate cu această unealtă.** Operațiile pentru care această unealtă electrică nu a fost realizată pot crea un pericol și provoacă rănirea persoanei.
- c) **Nu utilizați decât accesoriile proiectate și recomandate pentru această sculă electrică de către fabricantul ei.** Chiar dacă accesoriul nerecomandat poate fi montat pe mașină, acest fapt nu înseamnă că se poate utiliza în deplină siguranță.
- d) **Viteza nominală a accesoriului trebuie să fie cel puțin egală cu viteza maximă inscripționată pe mașină.** Accesoriile care se mișcă mai repede decât viteza lor nominală, se pot rupe, și fragmentele lor pot zbura prin aer.
- e) **Diametrul exterior și grosimea accesoriului utilizat trebuie să se încadreze în limitele acceptate de această sculă electrică.** Accesoriile cu dimensiuni necorespunzătoare nu pot fi dotate cu apărători corespunzătoare și nu pot fi stăpânite în mod corespunzător.
- f) **Montajul filetat al accesoriilor trebuie să corespundă cu filetul axului mașinii de șlefuit. Pentru accesoriilor montate cu flanșe, orificiul axului accesoriului trebuie să se potrivească cu diametrul de localizare al flanșei.** Accesoriile care nu se potrivesc cu echipamentul de montare al sculei electrice se vor dezechilibra, vor vibra excesiv și pot duce la pierderea controlului.
- g) **Nu utilizați accesoriile deteriorate. Înainte de fiecare utilizare, inspectați accesoriile cum ar fi discurile abrazive (a.n. flexuri), pentru a descoperi eventualele ciupituri sau crăpături, suporturile, pentru eventualele crăpături sau tociri excesive, peria de sârmă, pentru eventuale sârme slăbite sau deșirate. Dacă scula electrică sau accesoriul a fost scăpat pe jos, inspectați-le, pentru a descoperi eventualele deteriorări, sau instalați un accesoriu în stare perfectă. După ce ați inspectat și ați instalat un accesoriu, poziționați-vă la o distanță convenabilă de planul de**

- rotație al accesoriului respectiv, (cerând asta și celor din jur) și lăsați scula să funcționeze la turația maximă de mers în gol, timp de un minut.** În general, accesoriile defecte se vor sparge în acest răstimp de testare.
- h) **Folosii echipament individual de protecție. În funcție de operațiunea necesară, purtați mască de protecție și ochelari de protecție. Dacă situația o cere, purtați mască antipraf, protecție auditivă, mănuși și un șorț de protecție, care este capabil să oprească micile particule abrazive sau fragmentele de material desprinse de pe piesă.** Ochelarii de protecție trebuie să reziste la fragmentele de material care zboară prin aer și care sunt generate de operațiunile de prelucrare. Masca antipraf sau masca respiratorie trebuie să poată filtra particulele de material generate de operațiunea executată. Expunerea prelungită la un zgomot de intensitate ridicată poate duce la pierderea auzului.
- i) **Țineți la distanță sigură de locul de muncă pe cei din jur. Toți cei care pășesc în zona de lucru trebuie să poarte echipament individual de protecție.** Fragmente din piesa prelucrată sau un accesoriu rupt se pot răspândi prin aer și îi pot răni pe cei din apropierea locului de muncă.
- j) **Dacă efectuați o operațiune în care accesoriul de tăiere poate intra în contact cu cabluri ascunse vederii sau cu propriul cablu de alimentare electrică, țineți scula electrică numai de suprafețele izolate.** Accesoriul de debitare care intră în contact cu un cablu aflat sub tensiune poate induce curent electric în toate părțile neprotejate ale sculei, ceea ce ar putea duce la electrocutarea operatorului.
- k) **Poziționați cablul de alimentare la o distanță sigură față de un accesoriu rotativ.** Preîntâmpinați astfel tăierea cablului sau agățarea lui de brațul Dvs., respectiv forțarea brațului Dvs. către accesoriul aflat în rotație.
- l) **Nu lăsați jos niciodată mașina, până când accesoriul montat pe el nu s-a oprit complet din mișcare.** Accesoriul rotativ se poate agăța de suprafața de prelucrat și poate smulge mașina din mâna Dvs.
- m) **Nu porniți mașina cât timp o cărați cu Dvs.** Contactul accidental cu accesoriul rotativ poate duce la agățarea acestuia în hainele Dvs., precum și la penetrarea acestuia în corpul Dvs.
- n) **Curățați în mod regulat nișele de ventilație ale sculei.** Ventilatorul motorului trage praful în interiorul carcasei și acumularea excesivă de praf metallic duce la creșterea riscului de incidente electrice.
- o) **Nu utilizați mașina în apropierea materialelor inflamabile.** Scânteile provenite de la partea electrică a mașinii pot aprinde aceste materiale.
- p) **Nu utilizați accesoriile care necesită utilizarea lichidelor de răcire.** Folosirea apei sau al altor lichide de răcire poate duce la electrocutare.
- q) **Nu permiteți rotirea liberă a vreunei porțiuni desprinse din discul de polișat sau a sforilor de fixare ale acesteia.** Pliși sau tăiați sforile de fixare desprinse. Sforile de fixare desprinse și care se rotesc se pot încurca în jurul degetelor dvs. sau se pot agăța de piesa de prelucrat.
- r) **Nu utilizați dispozitivul de blocare a axului în timp ce unealta este în funcțiune.**

Zmucitura inversă și atenționările conexe cu aceasta

Zmucitura inversă este o reacție instantanee la blocarea în material a unui disc aflat în rotație, al unui suport, al unei perii de sârmă sau al oricărui alt accesoriu. Blocarea discului duce la oprirea rapidă a accesoriului rotativ, care la rândul lui duce la pierderea controlului asupra sculei electrice și la forțarea rotirii acesteia în direcție inversă rotației normale a accesoriului în cauză, în punctul de îmbinare. De exemplu: dacă discul abraziv s-a blocat în piesa de prelucrat, muchia discului poate penetra mai adânc în suprafața piesei, ducând la ridicarea sau la săritura discului. Discul poate sări spre operator sau dinspre el către ceilalți, totul depinzând de direcția de rotație a discului în momentul blocării lui. În aceste condiții, discurile abrazive se pot chiar rupe. Zmucitura inversă este rezultatul utilizării incorecte a sculei și/sau ale procedurilor sau condițiilor necorespunzătoare de prelucrare, și poate fi evitată prin respectarea instrucțiunilor de mai jos.

- a) **Țineți strâns scula și poziționați-vă corpul astfel încât să rezistați forței zmucituri inverse. Dacă scula este dotată cu mâner auxiliar, utilizați-l întotdeauna, pentru a avea un control maxim asupra zmucituri inverse sau a momentului de torsiune care apare la pornirea sculei.** Dacă s-au luat măsurile de prevedere corespunzătoare, operatorul sculei poate stăpâni momentul de torsiune sau forțele de zmucire inversă.
- b) **Nu vă așezați mâna niciodată în apropierea accesoriilor rotative.** Accesoriul vă poate lovi mâna.

- c) **Așezați-vă corpul într-o poziție în care eventuala zmcucitură inversă a sculei nu-l poate afecta.** Zmcucitura inversă va deplasa scula în direcția inversă rotației discului.
- d) **Fiți foarte atenți când prelucrați colțuri și muchii ascuțite etc. Evitați poziția instabilă și agățarea accesoriului.** Colțurile, muchiile ascuțite sau îmbinările pot provoca blocarea accesoriilor rotative și pot duce la pierderea controlului asupra sculei sau la zmcucituri inverse.
- e) **Nu atașați lame de ferăstrău, indiferent de tipul lor.** Aceste lame crează des zmcucituri inverse și pierderea controlului sculei.

Siguranța electrică



Verificați întotdeauna dacă tensiunea rețelei electrice de alimentare tensiunii de pe plăcuța indicatoare a caracteristicilor tehnice.

- Nu utilizați mașina în cazul în care cablul de alimentare și/sau fișa acestuia sunt deteriorate. În cazul în care cablul de alimentare este deteriorat, acesta trebuie să fie înlocuit cu un cablu de alimentare special pregătit, disponibil la unitatea de service.
- Utilizați numai cabluri prelungitoare corespunzătoare puterii nominale a mașinii și cu o grosime minimă de 1,5 mm². Dacă utilizați un cablu prelungitor înfășurat pe un tambur, desfășurați complet cablul.

2. INFORMAȚII CU PRIVIRE LA MAȘINĂ

Domeniul de utilizare

Această mașină este destinată polișării și perierii metalice și a suprafețelor tratate.

SPECIFICAȚII TEHNICE

Nr. model	PM507AC / S_PM507AC
Tensiune	230-240V~
Frecvență	50Hz
Putere consumată	400W
Turație fără sarcină	2000-6800 /min
Diametru disc	75 mm / 50 mm
Greutate	1,5 kg
L _{PA} (Nivel de presiune sonoră)	80 dB(A), K= 3 dB(A)

L _{WA} (Putere acustică)	91 dB(A), K= 3 dB(A)
Valoare vibrație	3,08 m/s ² , K= 1,5 m/s ²

Nivelul vibrațiilor

Nivelul emisiilor de vibrații menționat în acest manual de instrucțiuni a fost măsurat în conformitate cu un test standardizat precizat în EN 62841; poate fi folosit pentru a compara o sculă cu alta și ca evaluare preliminară a expunerii la vibrații atunci când folosiți scula pentru aplicațiile menționate:

- de vibrații în timpul utilizării efective a unelei electrice poate diferi de valoarea declarată în funcție de modalitățile de utilizare;
- să se identifice măsurile de siguranță pentru a proteja operatorul, pe baza unei estimări a expunerii în condițiile reale de utilizare (luând în considerare toate părțile ciclului de operare, cum ar fi momentele în care unealta este oprită și când este inactivă în afară de timpul pentru declanșare).

Protejați-vă împotriva efectelor vibrațiilor prin întreținerea sculei și a accesoriilor sale, păstrând mâinile calde și organizând procesele de lucru.

DESCRIERE

Numerele din text se referă la diagramele de la pagina 2.

1. Comutator pornire/oprire
2. Rotiță de reglare a vitezei
3. Mâner
4. Placă spate
5. Talpă de polișat
6. Cheie
7. Ax

3. ASAMBLAREA



Înainte de asamblare, opriți alimentarea electrică a mașinii și deconectați fișa cablului de alimentare de la priza de rețea.

Montarea și demontarea accesoriilor (Fig. A, B)

Asigurați-vă că utilizați accesoriul potrivit pentru materialul corespunzător. Utilizați numai accesorii de lustruit nedeteriorate și curate.

Placă spate

1. Așezați mașina pe partea din spate.
2. Poziționați cheia (6) pentru a cupla platele de

pe ax (7). Poate fi necesară rotirea plăcii de suport (4) pentru a expune axul (7).

- Ținând axul (7) cu cheia (5), rotiți placa de suport (4) în sensul acelor de ceasornic (cu mâna) pentru a o strânge.

Talpă de polișat

- Așezați mașina pe partea din spate.
- Apăsați ferm talpa de polișare (5) pe cârligul și placa de suport (4).

Pentru a scoate talpa (5), pur și simplu trageți talpa de pe placa de bază (4).

4. OPERAREA

Pornirea și oprirea (Fig. A)

- Pentru a porni mașina, glisați comutatorul de pornire/oprire (1) către partea din față.
- Pentru a opri mașina, glisați comutatorul de pornire/oprire (1) către partea din spate.

Setarea vitezei (Fig. A)

Discul de reglare a vitezei (2) este utilizat pentru setarea vitezei. Roata de reglare a vitezei (2) poate fi setată la 6 poziții. Viteza ideală depinde de aplicație și de materialul folosit.



Nu setați viteza în timpul utilizării.

- Rotiți discul de reglare a vitezei (2) în poziția necesară.

5. ÎNTREȚINERE



Înainte de curățare și întreținere, opriți alimentarea electrică a mașinii și deconectați fișa cablului de alimentare de la priza de rețea.

Curățați regulat carcasa cu o cârpă moale, de preferat după fiecare utilizare. Curățați fantele de aerisire de praf și murdărie. Îndepărtați murdăria persistentă cu o cârpă moale înmuiată în clăbuci de săpun. Nu folosiți solvenți precum benzină, alcool, amoniac, etc. Astfel de substanțe chimice vor deteriora componentele sintetice.

MEDIU



Aparatele electrice sau electronice deteriorate și/sau defecte trebuie colectate în locurile de reciclare corespunzătoare.

Numai pentru țările din CE

Nu aruncați echipamentele acționate electric împreună cu gunoiul menajer. Conform Indicației europene 2012/19/EU pentru echipamente electrice și electronice uzate și a implementării sale la nivel național, echipamentele acționate electric scoase din uz trebuie colectate separat și evacuate într-o manieră ecologică.

GARANȚIE

Produsele VONROC sunt realizate la cele mai înalte standarde de calitate și sunt garantate în privința materialelor și a manoperei pentru întreaga perioadă de utilizare în garanție, începând cu data achiziției. În cazul în care produsul se defectează în timpul perioadei de utilizare, contactați direct VONROC.

Următoarele circumstanțe sunt excluse de la această garanție:

- Reparațiile sau modificările care realizate sau care s-au încercat a fi efectuate de centre de service neautorizate.
- Uzura în condiții normale.
- Unealta care a fost abuzată, utilizată într-un mod neglijent sau întreținută în mod inadecvat.
- Folosirea unor piese de schimb neoriginale.

Aceasta acoperă garanția companiei, explicită sau implicită. Nu există alte garanții explicite sau implicite care să se extindă dincolo de cele indicate aici, incluzând garanțiile, vandabilitatea sau adecvarea pentru un anumit scop. În nicio situație, VONROC nu este responsabil pentru daunele incidentale sau consecvențiale. Reparațiile efectuate de reprezentant trebuie să fie limitate la reparațiile sau la înlocuirea unităților sau a pieselor neconforme.

Produsul și manualul de utilizare pot suferi modificări. Specificațiile se pot modifica fără notificare prealabilă.

1. GÜVENLİK TALİMATLARI

Ekteki güvenlik uyarılarını, ilave güvenlik uyarılarını ve talimatları okuyun. Güvenlik uyarılarını ve talimatları izlememek elektrik çarpması, yangın ve/veya ciddi yaralanma ile sonuçlanabilir. Güvenlik uyarılarını ve talimatları ilerde bakmak üzere muhafaza edin.

Aşağıdaki semboller kullanıcı kılavuzunda veya ürün üzerinde kullanılmaktadır:



Kullanıcı kılavuzunu okuyun.



Bu kılavuzdaki talimatlara uymama durumunda bedensel yaralanma, can kaybı veya alete hasat riskini belirtir.



Elektrik çarpması riski.



Değişken hız kontrolü.



Bir toz maskesi takın.



Koruyucu gözlük takın. Duyma koruması takın.



Sınıf II makine-Çift İzolasyon -Topraklanmış prize ihtiyacınız yok.



Ürün, Avrupa yönergelerindeki geçerli güvenlik standartlarına uygundur.

GENEL ELEKTRİKLİ ALET GÜVENLİK UYARILARI



UYARI Tüm güvenlik uyarılarını ve tüm talimatları okuyun. Uyarılara uyulmadı ve talimatlar elektrik çarpmasına, yangına ve/veya ciddi yaralanmalara neden olabilir.

Tüm uyarıları ve talimatları gelecekte başvurmak üzere saklayın.

Uyarılardaki "elektrikli alet" terimi, şebeke elektriği ile çalışan (kablolu) elektrikli alet veya pil ile çalışan (kablesiz) elektrikli alet anlamına gelir.

1) İş aşanı güvenliği

- İş alanını temiz ve aydınlık tutun.** Dağınık veya karanlık bölgeler, kazalara davetiye çıkarır.
- Elektrikli aletleri, yanıcı sıvıların, gazların veya tozun var olduğu patlayıcı atmosferlerde kullanmayın.** Elektrikli aletler, tozu veya dumanları

ateşleyebilecek kıvılcımlar oluşturur.

- Bir elektrikli aleti kullanırken, çocukları ve çevredekileri uzak tutun.** Dikkatiniz dağılırsa kontrolü kaybedebilirsiniz.

2) Elektrik güvenliği

- Elektrikli alet fişleri, prize uygun olmalıdır. Fişi, hiçbir şekilde modifiye etmeyin. Topraklı elektrikli aletlerle, herhangi bir fiş adaptörü kullanmayın.** Modifiye edilmiş fişler ve buna uygun prizler, elektrik çarpması riskini azaltır.
- Borular, radyatörler, ocaklar ve buzdolapları gibi topraklı yüzeylerle temastan kaçının.** Eğer vücudunuz topraklanmışsa, elektrik çarpması riski daha fazla olur.
- Elektrikli aletleri yağmura veya ıslaklığa maruz bırakmayın.** Bir elektrikli alete su girmesi durumunda, elektrik çarpması riski artacaktır.
- Kabloya kötü davranmayın. Kabloyu taşıma amacıyla, elektrikli aleti ya da elektrikli aletin fişini çekmek için kullanmayın. Kabloyu ısıdan, yağdan, keskin kenarlardan ya da hareketli parçalardan uzak tutun.** Hasar görmüş ya da do-laşmış kablolar, elektrik çarpması riskini artırır.
- Bir elektrikli aleti dış mekanlarda kullanırken, dış mekan kullanımına uygun bir uzatma kablosu kullanın.** Dış mekan kullanımına uygun ir kablo kullanıldığında, elektrik çarpması riski azalır.
- Elektrikli aleti nemli bir konumda çalıştırmak kaçınılmazsa, kaçak akım cihazı (RCD) korumalı bir kaynak kullanın.** RCD kullanımı elektrik çarpması riskini azaltır.

3) Kişisel güvenlik

- Elektrikli aleti kullanırken tetikte kalın, ne yaptığınıza dikkat edin ve sağduyulu davranın. Bir elektrikli aleti yorgun olduğunuzda ya da uyuşturucu, alkol veya ilaç etkisindeyken kullanmayın.** Elektrikli aleti kullanırken bir anlık dikkatsizlik ciddi kişisel yaralanmalara neden olabilir.
- Kişisel koruyucu donanım kullanın. Her zaman göz koruması takın.** Uygun durumlar için kullanılan toz maskesi, kaymaz güvenlik ayakkabıları, baret veya kulak tıkacı gibi koruyucu donanımlar, kişisel yaralanma riskini azaltacaktır.
- Kasıtsız çalışmayı önleyin. Bir elektrik kaynağını ve/veya pil takımını bağlamadan, aleti kaldırmadan ya da taşımadan önce elektrikli aletin anahtarının kapalı durumda olduğundan emin olun.** Elektrikli aletleri parmağımız anahtar üzerindeki taşımak veya anahtarı açık elektrikli aletleri

- harekete geçirmek kazalara davetiye çıkarır.
- d) **Elektrikli aleti açık duruma getirmeden önce her türlü ayar anahtarını çıkarın.** Elektrikli aletin dönen bir parçasında kalan bir anahtar, kişisel yaralanmalara neden olabilir.
- e) **Fazla uzanmayın. Ayaklarınızı sağlam basın ve her zaman dengeli olun.** Böylece beklenmeyen durumlarda elektrikli aleti daha iyi kontrol edebilirsiniz.
- f) **Uygun kıyafetler giyin. Bol kıyafetler giymeyin, takılar takmayın. Saçınızı, kıyafetlerinizi ve eldivenlerinizi, hareketli parçalardan uzak tutun.** Bol kıyafetler, takılar veya uzun saç, hareketli parçalara takılabilir.
- g) **Eğer cihazlar toz giderme ve toplama tesislerinin bağlantısı için sağlanmışsa, bunların bağlı olduğundan ve düzgün bir şekilde kullanıldığından emin olun.** Toz toplama ile tozla ilgili tehlikeleri azaltılabilir.
- h) **Aletlerin sık kullanılmasından edindiğiniz bilgi birikiminin sizi aşırı rahavete sürüklemesine izin vermeyin ve araç güvenliği ilkelerini göz ardı etmeyin.** Dikkatsiz bir hareket, bir saniyeden bile kısa sürede ciddi yaralanmalara neden olabilir.
- 4) Elektrikli alet kullanımı ve bakımı**
- a) **Elektrikli aleti zorlamayın. Uygulamanız için doğru elektrikli aleti kullanın.** Doğru elektrikli alet, tasarım amacına uygun olarak işi daha iyi yapacaktır.
- b) **Eğer anahtarlar açılıp kapatılmıyorsa, elektrikli aleti kullanmayın.** Anahtarla kumanda edilemeyen elektrikli aletler tehlikelidir ve tamir edilmelidir.
- c) **Herhangi bir ayar, aksesuar değişimi ya da depolama işleminden önce elektrikli aletin fişini elektrik kaynağından çıkarın ve/veya pil takımını elektrikli aletten çıkarın.** Bu tür önleyici güvenlik önlemleri, elektrikli aletin kazara çalışma riskini azaltır.
- d) **Boş durumdaki elektrikli aletleri çocukların erişemeyeceği bir yerde muhafaza edin ve elektrikli aletin nasıl çalıştığını ya da bu talimatları bilmeyen kişilerin elektrikli aleti kullanmasına izin vermeyin.** Elektrikli aletler, eğitimsiz kullanıcıların elinde tehlikeli olur.
- e) **Elektrikli aletlerin bakımını yapın. Hatalı ayarlar veya hareketli parçaların bağlanması, parça kırılmaları ve elektrikli aletin çalışmasını etkileyecek diğer durumlar için kontrol gerçekleştirin.** Eğer herhangi bir hasar varsa, elektrikli alet kullanılmadan önce tamir edilmelidir. Çoğu kazaya bakımı iyi yapılmayan elektrikli aletler neden olur.
- f) **Kesme aletlerini keskin ve temiz tutun.** Bakımı iyi yapılan ve keskin kenarlara sahip kesme aletlerinde donmalar daha az yaşanır ve kontrol edilmeleri daha kolay olur.
- g) **Elektrikli aleti, aksesuarlarını ve torna kalemlelerini bu talimatlara uygun olarak kullanın, çalışma koşullarını ve gerçekleştirilecek olan işi dikkate alın.** Elektrikli aletin kullanım amacı dışında kullanılması, tehlikeli durumlara sonuçlanabilir.
- h) **Tutamakları ve tutma yerlerini kuru, temiz ve yağdan arındırılmış şekilde muhafaza edin.** Kaygan tutamaklar ve tutma yerleri, beklenmedik durumlarda aletin güvenli şekilde taşınmasına ve kontrol edilmesine izin vermez.
- 5) Pili alet kullanımı ve bakımı**
- a) **Yalnızca üretici tarafından belirtilen şarj aletiyle şarj edin.** Bir türde pil takımı için uygun bir şarj cihazı, başka bir pil takımı ile kullanıldığında yangın riski oluşturabilir.
- b) **Elektrikli aletleri yalnızca özel olarak belirlenmiş pil takımlarıyla kullanın.** Başka pil takımlarının kullanımı yaralanma ve yangın riski oluşturabilir.
- c) **Pil takımı kullanılmadığı zamanda, ataşlar, bozuk paralar, anahtarlar, çiviler, vidalar veya diğer küçük metal nesnelere gibi bir uçtan diğerine bir bağlantı yapabilecek diğer metal nesnelere uzak tutun.** Pil uçlarını birbirine kısa devre yaptırmak yanıklara veya yangına neden olabilir.
- d) **Bozulma durumlarında pilden sıvı çıkabilir; temastan kaçının. Kazara temas gerçekleşirse, suyla yıkayın. Sıvı gözlerle temas ederse ayrıca tıbbi yardım isteyin.** Pilden çıkan sıvı tahrişe veya yanıklara neden olabilir.
- e) **Hasarlı veya üzerinde değişiklik yapılmış bir batarya veya aleti kullanmayın.** Hasarlı veya üzerinde değişiklik yapılmış bataryalar, yangın, patlama ya da yaralanma riskiyle sonuçlanan beklenmedik davranışlar sergileyebilir.
- f) **Batarya veya aleti ateşe veya aşırı sıcaklığa maruz bırakmayın.** Ateşe veya 130 °C üzeri sıcaklıklara maruz kalması patlamaya yol açabilir. NOT Sıcaklık birimi olarak kullanılan „130 °C“ yerine „265 °F“ kullanılabilir.
- g) **Tüm şarj talimatlarına uyun ve batarya veya aleti talimatlarda belirtilen sıcaklık aralığının dışındaki ortamlarda şarj etmeyin.** Yanlış şekilde veya belirtilen aralığın dışındaki sıcaklıklarda şarj etmek bataryayı zarar verebilir ve yangın riskini artırabilir.

6) Servis

- a) **Elektrikli aletinizin servis işlemlerini, yalnızca aynı yedek parçaları kullanan vasıflı bir tamircinin yapmasını sağlayın.** Bu, elektrikli aletin güvenliğinin korunmasını sağlayacaktır.
- b) **Hasarlı bataryalara asla kendiniz bakım yapmaya çalışmayın.** Bataryadaki bakım işlemleri sadece üretici veya yetkili servisler tarafından yapılmalıdır.

POLİSLAYICILAR İÇİN EK GÜVENLİK UYARILARI

- a) **Bu elektrikli alet, cilalayıcı olarak işlev görmek üzere tasarlanmıştır. Bu elektrikli aletle birlikte verilen tüm güvenlik uyarılarını, talimatları, resimleri ve teknik özellikleri okuyun.** Aşağıda listelenen tüm talimatlara uyulmaması elektrik çarpmasına, yangına ve/veya ciddi yaralanmalara neden olabilir.
- b) **Öğütme ya da kesme gibi işlemlerin bu elektrikli aletle gerçekleştirilmesi önerilmemektedir.** Bu elektrikli aletin amacı dışında kullanılması hasara ve kişisel yaralanmalara neden olabilir.
- c) **Alet üreticisi tarafından özellikle tasarlanmamış ve önerilmemiş aksesuarları kullanmayın.** Aksesuar elektrikli aletinize takılabiliyor diye güvenli işlemi garanti etmez.
- d) **Aksesuarın anma hızı elektrikli alet üzerinde işaretli maksimum hıza en azından eşit olmalıdır.** Anma hızlarından hızlı çalışan aksesuarlar kırılıp parçalanabilir.
- e) **Aksesuarınızın dış çapı ve kalınlığı elektrikli aletinizin kapasite oranı içinde olmalıdır.** Yanlış boyuttaki aksesuarlar yeterince korunamaz ve kontrol edilemez.
- f) **Çarkların, flanşların, destek pedlerinin ve diğer aksesuarların dingil boyutu, elektrikli aletin miline tam olarak uygun olmalıdır.** Elektrikli aletin montaj donanımına uygun olmayan dingilbuyutlarına sahip aksesuarlar dengesizleşir, aşırı titrer ve kontrolün kaybedilmesine neden olabilir.
- g) **Hasar görmüş bir aksesuarı kullanmayın. Her kullanımdan önce taşlama çarklarını aşınma ve çatlaklar, destek yastığını çatlaklar, yırtılma veya aşırı yıpranma, tel fırçasını gevşek veya çatlakmış teller açısından gibi aksesuarı kontrol edin. Elektrikli alet veya aksesuar düşürülürse, hasar açısından kontrol edin veya hasar görmemiş bir aksesuar takın. Bir aksesuarı kontrol ettikten ve taktıktan sonra, kendinizi ve izleyicileri dönen aksesuarın yüzeyinden uzaklaştırın ve elektrikli**

aleti bir dakikalığına maksimum yüksüz hızda çalıştırın. Hasar görmüş aksesuarlar normal olarak bu test süresi içinde parçalanacaktır.

- h) **Kişisel koruyucu donanım takın. Uygulamaya bağlı olarak yüz siperi, koruyucu gözlük veya emniyet gözlüğü kullanın. Uygun görüldüğü şekilde, küçük aşındırıcı ve iş parçalarını durdurabilecek toz maskesi, duyma koruyucuları, eldivenler ve atölye önlüğü giyin.** Göz koruması çeşitli işlemler tarafından **üretilen uçuşan molozu durdurabilecek** nitelikte olmalıdır. Toz maskesi veya respiratör, yaptığınız işlem tarafından üretilen parçacıkları filtre edebilmelidir. Yüksek yoğunluktaki gürültüye uzun süre maruz kalma, işitme kaybına neden olabilir.
- i) **İzleyicileri iş alanından güvenli bir mesafede tutun. Çalışma alanına giren herkes kişisel koruyucu donanım giymelidir. İş parçası veya kırılmış bir aksesuarın parçaları fırlatabilir ve acil işlem alanının ötesinde yaralanmaya neden olabilir.**
- j) **Elektrikli aleti yalnızca izole edilmiş tutma yüzeylerinden tutun, bir işlem gerçekleştirirken kesme aksesuarı gizli tellerle veya kendi kordonuyla temas edebilir.** Kesme aksesuarının “elektrikli” bir telle temas etmesi, elektrikli aletin açık metal kısımlarına “elektrik” verebilir ve operatörü elektrik çarparabilir.
- k) **Kordonu dönen aksesuardan uzağa konumlandırın.** Kontrolü kaybederseniz, kordon kesilebilir veya takılabilir ve eliniz veya kolunuz dönen aksesuara kapılabilir.
- l) **Aksesuar tamamen durana kadar elektrikli aleti asla bir yere koymayın.** Dönen aksesuar yüzeyi tutabilir ve elektrikli aleti kontrolünüzden çıkarabilir.
- m) **Yan tarafınızda taşırken elektrikli aleti çalıştırmayın.** Dönen aksesuarla kazara temas kıyafetinize takılabilir ve aksesuarı bedeninize çekebilir.
- n) **Elektrikli aletin havalandırma deliklerini düzenli olarak temizleyin.** Motorun fanı tozu yuvanın içine çekecektir ve toz haline gelmiş metalin aşırı birikimi elektrik tehlikelerine neden olabilir.
- o) **Elektrikli aleti alev alan maddelerin yakınında çalıştırmayın.** Kıvılcıklar bu maddeleri tutuşturabilir.
- p) **Sıvı soğutucu gerektiren aksesuarlar kullanmayın.** Su veya diğer sıvı soğutucuları kullanmak elektrik yüzünden ölüm veya elektrik çarpmasıyla sonuçlanabilir.

- q) **Polisaj başlığının gevşek bir kısmının veya bağlantı iplerinin serbestçe dönmesine izin vermeyin.** Herhangi bir gevşek bağlantı ipini uzaklaştırın veya kesin. Gevşek ve dönen ataşman ipleri parmaklarınızı dolaştırabilir veya iş parçasına takılabilir.
- r) **Alet durana kadar mil kilidine basmayın.**

Geri Tepme ve İlgili Uyarılar

Geri tepme, sıkıştırılmış veya takılmış dönen çark, destek tamponu, fırça veya başka diğer aksesuara ani bir tepkidir. Sıkıştırma veya takılma dönen aksesuarın hızlı teklemesine neden olur, bu da kontrol edilmeyen elektrikli aletin bağlama noktasında aksesuarın dönüşün karşı yönünde zorlanmasına neden olur. Örneğin, bir taşlama çarkı iş parçası tarafından takılır veya sıkıştırılırsa, sıkıştırma noktasına giren çarkın kenarı çarkın yükselmesine veya atmasına neden olarak materyalin yüzeyini delebilir. Çark sıkıştırma noktasında çarkın hareketinin yönüne bağlı olarak operatöre doğru veya operatörden uzağa sıçrayabilir. Taşlama çarkları ayrıca bu koşullar altında da bozulabilir. Geri tepme elektrikli aletin hatalı kullanımı ve/veya yanlış işlem prosedürleri veya koşullarının sonucunda oluşur ve aşağıdaki gibi uygun önlemler alınarak engellenebilir.

- a) **Elektrikli aleti sıkı tutun ve bedeninizi ve kolunuzu geri tepme kuvvetlerine dayanmaya izin verecek şekilde konumlandırın. Eğer sağlandıysa çalıştırma sırasında geri tepme veya tork tepkisine karşı maksimum kontrol için her zaman yardımcı tutamağı kullanın. Doğru önlemler alınırsa, operatör tork tepkilerini veya geri tepme kuvvetlerini kontrol edebilir.**
- b) **Elinizi asla dönen aksesuarın yakınına yerleştirmeyin.** Aksesuar elinizin üzerinden geri tepebilir.
- c) **Geri tepme meydana gelirse elektrikli aletin hareket edeceği alana bedeninizi konumlandırmayın.** Geri tepme, aleti çarkın takılma noktasındaki hareketinin aksi yönünde itecektir.
- d) **Köşelerde, keskin kenarlarda vs. çalışırken özel dikkat gösterin. Aksesuarı sallamaktan ve taktırmaktan kaçının. Köşeler, keskin kenarlar veya sallamak, dönen aksesuarın takılması eğilimine sahiptir ve kontrol kaybına veya geri tepmeye neden olur.**
- e) **Zincir testere oyma bıçağı veya dişli testere bıçağı takmayın.** Bu tür bıçaklar sıklıkla geri tepme ve kontrol kaybı yaratır.

Elektrik güvenliği



Güç kaynağının voltajının, anma değeri plakası etiketi üzerindeki voltaja karşılık geldiğini her zaman kontrol edin.

- Güç kaynağı kablosu veya şebeke fişi hasar görmüşse makineyi kullanmayın. Bu elektrikli aletin besleme kablosu hasar görürse, servis organizasyonundan temin edilebilen özel olarak hazırlanmış bir besleme kablosu ile değiştirilmelidir.
- Sadece makinenin güç değerleri açısından uygun, minimum 1,5 mm² kalınlığa sahip uzatma kabloları kullanın. Bir uzatma kablosu makarası kullanıyorsanız kabloyu daima tam olarak açın.

2. MAKİNE BİLGİSİ

Kullanım amacı

Bu makine, metal ve kaplamalı yüzeylerin parlatılması ve fırçalanması için tasarlanmıştır.

TEKNİK SPESİFİKASYONLAR

Model No.	PM507AC / S_PM507AC
Voltaj	230-240V~
Frekans	50Hz
Güç girişi	400W
Anma hızı	2000-6800/min
Disk Çapı	75 mm / 50 mm
Ağırlık	1,5 kg
Ses basıncı (LPA)	80 dB(A), K= 3 dB(A)
Akustik güç (LWA)	91 dB(A), K= 3 dB(A)
Vibrasyon	3.08 m/s ² , K= 1.5 m/s ²

Vibrasyon seviyesi

Bu talimat kılavuzunda belirtilen vibrasyon emisyon seviyesi EN 62841; içinde verilen bir standart teste uygun olarak ölçülmüştür; bir aleti başka bir aletle karşılaştırmak için ve aleti adı geçen uygulamalar için kullanırken bir ilk maruz kalma değerlendirmesi olarak kullanılabilir.

- elektrikli aletin fiili kullanımı sırasındaki titreşim emisyonu, aletin kullanım şekline bağlı olarak beyan edilen toplam değerden farklı olabilir;
- gerçek kullanım koşullarındaki maruz kalma tahminine dayalı olarak operatörü korumak için güvenlik önlemlerini belirleme ihtiyacı (tetikle-

me süresine ek olarak aletin kapatıldığı ve boşta çalıştığı zamanlar gibi çalışma döngüsünün tüm bölümlerini dikkate alarak).

Aletin ve aksesuarların bakımını yaparak, ellerinizi sıcak tutarak ve çalışma düzenlerinizi organize ederek vibrasyonun etkilerine karşı kendinizi koruyun.

ACIKLAMA

Metindeki numaralar sayfa 2'deki çizimleri işaret etmektedir.

1. Açma/kapama düğmesi
2. Hız ayarlama tekeri
3. Tutma yeri
4. Destek plakası
5. Parlatma pedi
6. İngiliz anahtarı
7. Mil

3. MONTAJ



Montajdan önce her zaman makineyi kapatın ve şebeke prizini şebekeden çıkarın.

Aksesuarların montajı ve çıkarılması (Şekil A, B)
İlgili malzeme için doğru aksesuarı kullandığınızdan emin olun. Yalnızca hasarsız ve temiz polisaj aksesuarlarını kullanın.

Destek plakası

1. Makineyi arkası üstü şekilde yere koyun.
2. Milin (7) üzerindeki düz kısımları geçirmek için anahtarı (6) konumlandırın. Mil (7) düz yüzeylerini ortaya çıkarmak için destek plakasını (4) döndürmek gerekli olabilir.
3. Mili (7) anahtarla (5) tutarken, destek plakasını (4) saat yönünde (elle) döndürerek sıkın.

Parlatma pedi

1. Makineyi arkası üstü şekilde yere koyun.
2. Parlatma pedini (5) kanca ve halka destek plakasına (4) sıkıca bastırın.

Pedi (5) çıkarmak için destek plakasından (4) çekmeniz yeterlidir.

4. ÇALIŞTIRMA

Açma ve kapama (şekil A)

- Makineyi açmak için açma/kapama anahtarını (1) öne kaydırın.
- Makineyi kapatmak için açma/kapama anahtarını (1) arkaya kaydırın.

Hızı ayarlama (şekil A)

Hızı ayarlamak için hız ayarlama tekeri (2) kullanılır. Hız ayarlama tekeri (2) 6 farklı konuma ayarlanabilir. İdeal hız, uygulamaya ve çalışılacak malzemeye bağlıdır.



Hızı kullanım sırasında ayarlamayın.

- Hız ayarlama tekerini (2) gerekli konuma çevirin.

5. BAKIM



Temizlik ve bakımdan önce her zaman makineyi kapatın ve şebeke prizini şebekeden çıkarın.

Motorun aşırı ısınmasını önlemek için makinenin havalandırma deliklerini temiz tutun. Makine muhafazasını düzenli olarak (tercihen her kullanımdan sonra) yumuşak bir bez ile temizleyin. Havalandırma deliklerinde toz ve kir olmamasına dikkat edin. Kir çıkmazsa, sabunlu suyla nemlendirilmiş yumuşak bir bez kullanın. Asla petrol, alkol, amonyaklı su vs. kullanmayın. Bu çözücüler plastik parçalara zarar verebilir. Aleti her kullanımdan sonra lütfen hemen temizleyin

ÇEVRE



Arızalı ve/veya atılmış elektrikli veya elektronik ekipmanların uygun geri dönüşüm konularında toplanması gerekir.

Yalnızca AT ülkeleri için

Elektrikli aletleri evsel atık olarak atmayın. Atık Elektrikli ve Elektronik Donanım için Avrupa İlkeleri 2012/19/EU'ya ve bunun yerel hukuk çerçevesinde uygulamasına göre, artık kullanılamaz olan elektrikli aletler ayrı olarak toplanmalı ve çevre dostu bir yolla imha edilmelidir.

GARANTİ

VONROC ürünleri yüksek kalite standartları doğrultusunda geliştirilmiştir ve ilk satın alımdan itibaren kanunen belirlenen süre boyunca materyal ve işçilik açısından kusursuz olacağı garanti edilmektedir. Bu süre zarfında, kusurlu materyal ve/veya işçilikten dolayı üründe herhangi bir arıza meydana gelmesi durumunda, doğrudan VONROC iletişim kurun.

Takip eden durumlar bu garanti kapsamı dışındadır:

- Yetkisiz servis merkezleri tarafından yapılan veya yapılmaya teşebbüs edilen onarım ve/veya değişiklikler.
- Normal aşınma ve eskime.
- Cihazın kötü ve yanlış kullanılması veya cihaza yanlış bakım yapılması.
- Orijinal olmayan yedek parçaların kullanılması

Bu, şirket tarafından açık ya da zımni verilmiş tek garantiyi oluşturur. Belirli bir amaç için ticarete elverişlilik ve uygunluğun zımni garantileri dahil dış görünüşünün ötesine uzanan açık veya zımni başka hiçbir garanti yoktur. VONROC herhangi bir arızı veya dolaylı zarardan hiçbir halükarda sorumlu olmayacaktır. Bayilerin getireceği çözümler uygunsuz birimlerin veya parçaların onarımı veya değiştirilmesiyle sınırlı olacaktır.

**Ürün ve kullanıcı kılavuzu değişikliğe tabidir.
Spesifikasyonlar başka bir uyarı olmaksızın değiştirilebilir.**



DECLARATION OF CONFORMITY
PM507AC / S_PM507AC - DUAL ACTION POLISHER

- (EN) We declare under our sole responsibility that this product is in conformity with directive 2011/65/EU of the European parliament and of the council of 8 June on the restriction of the use of certain hazardous substances in electrical and electronic equipment is in conformity and accordance with the following standards and regulations:
- (DE) Der Hersteller erklärt eigenverantwortlich, dass dieses Produkt der Direktive 2011/65/EU des Europäischen Parlaments und des Rats vom 8. Juni 2011 über die Einschränkung der Anwendung von bestimmten gefährlichen Stoffen in elektrischen und elektronischen Geräten entspricht. den folgenden Standards und Vorschriften entspricht:
- (NL) Wij verklaren onder onze volledige verantwoordelijkheid dat dit product voldoet aan de conform Richtlijn 2011/65/EU van het Europees Parlement en de Raad van 8 juni 2011 betreffende beperking van het gebruik van bepaalde gevaarlijke stoffen in elektrische en elektronische apparatuur en in overeenstemming is met de volgende standaarden en reguleringen:
- (FR) Nous déclarons sous notre seule responsabilité que ce produit est conforme aux standards et directives suivants: est conforme à la Directive 2011/65/UE du Parlement Européen et du Conseil du 8 juin 2011 concernant la limitation d'usage de certaines substances dangereuses dans l'équipement électrique et électronique.
- (ES) Declaramos bajo nuestra exclusiva responsabilidad que este producto cumple con las siguientes normas y estándares de funcionamiento: se encuentra conforme con la Directiva 2011/65/UE del Parlamento Europeo y del Consejo de 8 de junio de 2011 sobre la restricción del uso de determinadas sustancias peligrosas en los equipos eléctricos y electrónicos.
- (IT) Dichiariamo, sotto la nostra responsabilità, che questo prodotto è conforme alle normative e ai regolamenti seguenti: è conforme alla Direttiva 2011/65/UE del Parlamento Europeo e del Consiglio dell'8 giugno 2011 sulla limitazione dell'uso di determinate sostanze pericolose nelle apparecchiature elettriche ed elettroniche.
- (SV) Vi garanterar på eget ansvar att denna produkt uppfyller och följer följande standarder och bestämmelser: uppfyller direktiv 2011/65/EU från Europeiska parlamentet och EG-rådet från den 8 juni 2011 om begränsningen av användning av farliga substanser i elektrisk och elektronisk utrustning.
- (DA) Vi erklærer under eget ansvar, at dette produkt er i overensstemmelse med følgende standarder og bestemmelser: er i overensstemmelse med direktiv 2011/65/EU fra Europa-Parlamentet og Rådet af 8. juni 2011 om begrænsning af anvendelsen af visse farlige stoffer i elektrisk og elektronisk udstyr.
- (PL) Deklarujemy na własną odpowiedzialność, że ten produkt spełnia wymogi zawarte w następujących normach i przepisach: jest zgodny z Dyrektywą 2011/65/UE Parlamentu Europejskiego i Rady z dnia 8 czerwca 2011 r. w sprawie ograniczenia stosowania niektórych niebezpiecznych substancji w sprzęcie elektrycznym i elektronicznym.
- (RO) Declarăm prin aceasta cu răspunderea deplină că produsul acesta este în conformitate cu următoarele standarde sau directive: este în conformitate cu Directiva 2011/65/UE a Parlamentului European și a Consiliului din 8 iunie 2011 cu privire la interzicerea utilizării anumitor substanțe periculoase la echipamentele electrice și electronice.
- (TR) Tek sorumlusu biz olmak üzere bu ürünün Avrupa Parlamentosunun 2011/65/UE ve 8 Haziran 2011 tarihli konseyin elektrikli ve elektronik ekipmanlarda belirlenmiş tehlikeli malzeme kullanımının kısıtlanması hakkındaki talimatları ile birlikte aşağıda belirtilen standart ve yönergelere uygun ve uyumlu olduğunu beyan ederiz:

EN 55014-1, EN 55014-2, EN 62841-1, EN 62841-2-4, EN 61000-3-2, EN 61000-3-3, 2006/42/EC, 2014/30/EU, 2012/19/EU, 2011/65/EU

Zwolle, 01-11-2021

H.G.F Rosberg
CEO

VONROC • Lingenstraat 6 • 8028 PM Zwolle • The Netherlands



VONROC®
BUILD YOUR FUTURE

©2021 VONROC
WWW.VONROC.COM

2111-04