

# AREBOS

## Trimmer Deluxe

AR-HE-OB710



Please follow all security measures in this user's manual to ensure a secure use.



Thank you for trusting in AREBOS.

# List of Content

<b>1. Security Instructions.....</b>	<b>3</b>
1.1 Symbols .....	3
1.2 General Safety Instructions .....	3
1.3 Work area safety .....	3
1.4 Electrical safety.....	4
1.5 Personal Safety .....	4
1.6 Power tool use and care .....	4
1.7 Service .....	5
1.8 Trimmer Safety Warnings.....	5
<b>2. Parts list.....</b>	<b>6</b>
<b>3. Functional Description.....</b>	<b>6</b>
3.1 Adjusting bit protrusion .....	6
3.2 Switch action .....	6
3.3 Electronic function .....	7
3.4 Speed adjusting dial .....	7
<b>4. Assembly.....</b>	<b>7</b>
4.1 Installing or removing trimmer bit .....	7
<b>5. Operation.....</b>	<b>8</b>
5.1 For the trimmer base.....	8
5.2 Templet guide (optional accessory) .....	9
5.3 Straight guide (optional accessory) .....	10
5.4 Circular work .....	11
5.5 Trimmer guide (optional accessory).....	12
5.6 Tilt base (optional accessory) .....	12
5.7 Base protector removed from the tilt base (optional accessory) .....	13
5.8 Offset base (optional accessory) .....	13
5.9 Adjusting the depth of cut when using the plunge base (optional accessory) .....	16
5.10 Straight guide (optional accessory) .....	18
5.11 Templet guide (optional accessory) .....	19
5.12 Dust nozzle sets .....	20
<b>6. Maintenance .....</b>	<b>21</b>
<b>7. Disposal Instructions .....</b>	<b>22</b>
7.1 Disposal of the packaging.....	22
7.2 Disposal of waste equipment.....	22
7.3 Meaning of the "dustbin" .....	22
<b>EU Declaration of Conformity .....</b>	<b>23</b>

Please read and save these instructions. Read through this user's manual carefully before using product. Protect yourself and others by observing all safety information, warnings and cautions. Failure to comply with instructions could result in personal injury and/or damage to product or property. Please retain instructions for future reference.

## 1. Security Instructions

### 1.1 Symbols



By means of a CE marking, it can be recognized that a product complies with the legal requirements of European legal standards and therefore may be traded within the European Community.



This product **must not** be disposed of with household waste!



This product has been tested and certified by Intertek. The symbol "GS" stands for tested safety. Products marked with this symbol comply with the requirements of the German Product Safety Act (ProdSG).



**Warning!** Read the safety instructions carefully. Failure to follow the safety precautions could result in serious injury or damage. Keep the operating instructions in a safe place.



Warning of electrical voltage!

### 1.2 General Safety Instructions

- **WARNING:** Read all safety warnings and all instructions. Failure to follow the warnings and instructions may result in electric shock, fire and/or serious injury.
- Save all warnings and instructions for future reference.

### 1.3 Work area safety

- Keep work area clean and well lit. Cluttered or dark areas invite accidents.
- Do not operate power tools in explosive atmospheres, such as in the presence of flammable liquids, gases or dust. Power tools create sparks which may ignite the dust or fumes.
- Keep children and bystanders away while operating a power tool. Distractions can cause you to lose control

## 1.4 Electrical safety

- Power tool plugs must match the outlet. Never modify the plug in any way. Do not use any adapter plugs with earthed (grounded) power tools. Unmodified plugs and matching outlets will reduce risk of electric shock.
- Avoid body contact with earthed or grounded surfaces such as pipes, radiators, ranges and refrigerators. There is an increased risk of electric shock if your body is earthed or grounded.
- Do not expose power tools to rain or wet conditions. Water entering a power tool will increase the risk of electric shock.
- Do not abuse the cord. Never use the cord for carrying, pulling or unplugging the power tool. Keep cord away from heat, oil, sharp edges or moving parts. Damaged or entangled cords increase the risk of electric shock.
- When operating a power tool outdoors, use an extension cord suitable for outdoor use. Use of a cord suitable for outdoor use reduces the risk of electric shock.
- If operating a power tool in a damp location is unavoidable, use a residual current device (RCD) protected supply. Use of an RCD reduces the risk of electric shock.
- Use of power supply via a RCD with a rated residual current of 30mA or less is always recommended.

## 1.5 Personal Safety

- Stay alert, watch what you are doing and use common sense when operating a power tool. Do not use a power tool while you are tired or under the influence of drugs, alcohol or medication. A moment of inattention while operating power tools may result in serious personal injury.
- Use personal protective equipment. Always wear eye protection. Protective equipment such as dust mask, non-skid safety shoes, hard hat, or hearing protection used for appropriate conditions will reduce personal injuries.
- Prevent unintentional starting. Ensure the switch is in the off-position before connecting to power source and/or battery pack, picking up or carrying the tool. Carrying power tools with your finger on the switch or energizing power tools that have the switch on invites accidents.
- Remove any adjusting key or wrench before turning the power tool on. A wrench or a key left attached to a rotating part of the power tool may result in personal injury.
- Do not overreach. Keep proper footing and balance at all times. This enables better control of the power tool in unexpected situations.
- Dress properly. Do not wear loose clothing or jewelry. Keep your hair, clothing, and gloves away from moving parts. Loose clothes, jewelry or long hair can be caught in moving parts.
- If devices are provided for the connection of dust extraction and collection facilities, ensure these are connected and properly used. Use of dust collection can reduce dust-related hazards.

## 1.6 Power tool use and care

- Do not force the power tool. Use the correct power tool for your application. The correct power tool will do the job better and safer at the rate for which it was designed.
- Do not use the power tool if the switch does not turn it on and off. Any power tool that cannot be controlled with the switch is dangerous and must be repaired.
- Disconnect the plug from the power source and/or the battery pack from the power tool before making any adjustments, changing accessories, or storing power tools. Such preventive safety measures reduce the risk of starting the power tool accidentally.
- Store idle power tools out of the reach of children and do not allow persons unfamiliar with

the power tool or these instructions to operate the power tool. Power tools are dangerous in the hands of untrained users.

- Maintain power tools. Check for misalignment or binding of moving parts, breakage of parts and any other condition that may affect the power tool's operation. If damaged, have the power tool repaired before use. Many accidents are caused by poorly maintained power tools.
- Keep cutting tools sharp and clean. Properly maintained cutting tools with sharp cutting edges are less likely to bind and are easier to control.
- Use the power tool, accessories and tool bits etc. in accordance with these instructions, taking into account the working conditions and the work to be performed. Use of the power tool for operations different from those intended could result in a hazardous situation.

### **1.7 Service**

- Have your power tool serviced by a qualified repair person using only identical replacement parts. This will ensure that the safety of the power tool is maintained.
- Follow instruction for lubricating and changing accessories.
- Keep handles dry, clean and free from oil and grease.

### **1.8 Trimmer Safety Warnings**

- Hold power tool by insulated gripping surfaces, because the cutter may contact its own cord. Cutting a "live" wire may make exposed metal parts of the power tool "live" and shock the operator.
- Use clamps or another practical way to secure and support the workpiece to a stable platform. Holding the work by your hand or against the body leaves it unstable and may lead to loss of control.
- Wear hearing protection during extended period of operation.
- Handle the bits very carefully.
- Check the bit carefully for cracks or damage before operation. Replace cracked or damaged bit immediately.
- Avoid cutting nails. Inspect for and remove all nails from the workpiece before operation.
- Hold the tool firmly.
- Keep hands away from rotating parts.
- Make sure the bit is not contacting the workpiece before the switch is turned on.
- Before using the tool on an actual workpiece, let it run for a while. Watch for vibration or wobbling that could indicate improperly installed bit.
- Be careful of the bit rotating direction and the feed direction.
- Do not leave the tool running. Operate the tool only when hand-held.
- Always switch off and wait for the bit to come to a complete stop before removing the tool from workpiece.
- Do not touch the bit immediately after operation; it may be extremely hot and could burn your skin.
- Do not smear the tool base carelessly with thinner, gasoline, oil or the like. They may cause cracks in the tool base.
- Use bits of the correct shank diameter suitable for the speed of the tool.
- Some material contains chemicals which may be toxic. Take caution to prevent dust inhalation and skin contact. Follow material supplier safety data.
- Always use the correct dust mask/respirator for the material and application you are working with.

- Save these instructions.
- **WARNING:** DO NOT let comfort or familiarity with product (gained from repeated use) replace strict adherence to safety rules for the subject product. MISUSE or failure to follow the safety rules stated in this instruction manual may cause serious personal injury.

## 2. Parts list

Description	Quantity
Milling motor	1
Plunge base	1
Dust nozzle for plunge base	1
Dust protector	1
Tilt base	1
Straight guide for plunge base	1
Carbon brush	2
Wrench	2
Hexagon wrench	1
Collet chuck 6 mm (preinstalled)	1
Collet chuck 8 mm	1
Transport bag	1

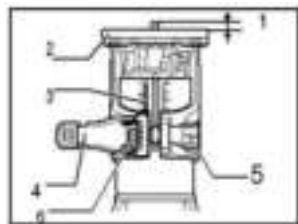
**Not included (optional accessory):** Trimmer base, dust nozzle trimmer base, templet guide, straight guide for trimmer base, trimmer guide, offset base, bar handle

## 3. Functional Description

- **CAUTION:** Always be sure that the tool is switched off and unplugged before adjusting or checking function on the tool.

### 3.1 Adjusting bit protrusion

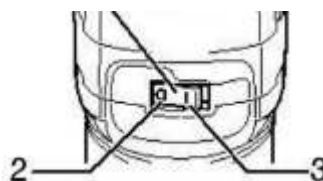
1. Bit protrusion
2. Tool base
3. Scale
4. Locking lever
5. Adjusting screw
6. Hex nut



- To adjust the bit protrusion, loosen the locking lever and move the tool base up or down as desired by turning the adjusting screw. After adjusting, tighten the locking lever firmly to secure the tool base.
- **NOTE:** When the tool is not secured even if the locking lever is tightened, tighten the hex nut and then tighten the locking lever.

### 3.2 Switch action

1. Switch
2. OFF (0) side
3. ON (I) side



- **CAUTION:** Before plugging in the tool, always check to see that the tool is switched off.
- To start the tool, press the "ON ( I )" side of the switch.
- To stop the tool, press the "OFF ( O )" side of the switch.

### 3.3 Electronic function

- The tool equipped with electronic function are easy to operate because of the following features.

#### Constant speed control

- Electronic speed control for obtaining constant speed. Possible to get fine finish, because the rotating speed is kept constant even under load condition.

#### Soft start

- Soft-start feature minimizes start-up shock, and makes the tool start smoothly.

### 3.4 Speed adjusting dial

#### 1. Speed adjusting dial

- The tool speed can be changed by turning the speed adjusting dial to a given number setting from 1 to 6. Higher speed is obtained when the dial is turned in the direction of number 6. And lower speed is obtained when it is turned in the direction of number 1.
- This allows the ideal speed to be selected for optimum material processing, i.e. the speed can be correctly adjusted to suit the material and bit diameter.
- Refer to the table for the relationship between the number settings on the dial and the approximate tool speed.

Number	Min <sup>-1</sup>
1	10,000
2	12,000
3	17,000
4	22,000
5	27,000
6	30,000

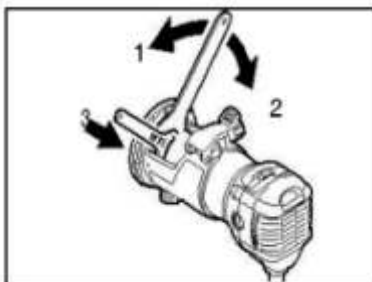
#### CAUTION:

- If the tool is operated continuously at low speeds for a long time, the motor will get overloaded, resulting in tool malfunction.
- The speed adjusting dial can be turned only as far as 6 and back to 1. Do not force it past 6 or 1, or the speed adjusting function may no longer work.

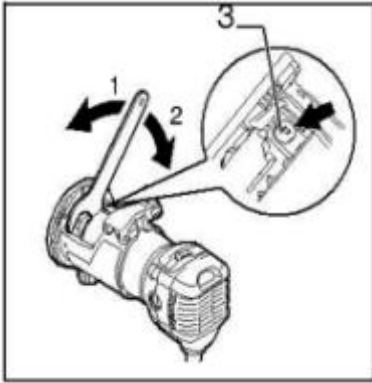
## 4. Assembly

- **CAUTION:** Always be sure that the tool is switched off and unplugged before carrying out any work on the tool.

### 4.1 Installing or removing trimmer bit



1. Tighten
2. Loosen
3. Hold



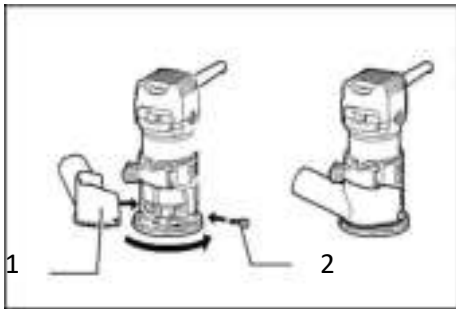
1. Tighten
2. Loosen
3. Shaft lock

**CAUTION:**

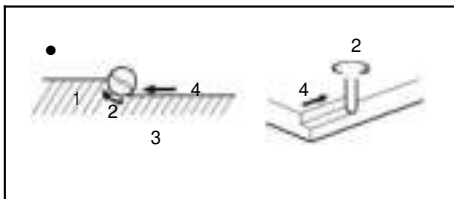
- Do not tighten the collet nut without inserting a bit, or the collet cone will break.
- Use only the wrenches provided with the tool.
- Insert the bit all the way into the collet cone and tighten the collet nut securely with the two wrenches or by pressing the shaft lock and using the provided wrench.
- To remove the bit, follow the installation procedure in reverse.

## 5. Operation

### 5.1 For the trimmer base



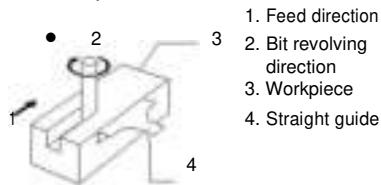
1. Dust nozzle
  2. Thumb screw
  3. Trimmer base
- **WARNING:** Before using the tool with the trimmer base, always install the dust nozzle on the trimmer base.
  - Set the tool base on the workpiece to be cut without the bit making any contact. Then turn the tool on and wait until the bit attains full speed. Move the tool forward over the workpiece surface, keeping the tool base flush and advancing smoothly until the cutting is complete.
  - When doing edge cutting, the workpiece surface should be on the left side of the bit in the feed direction.



1. Workpiece
2. Bit revolving direction
3. View from the top of the tool
4. Feed direction



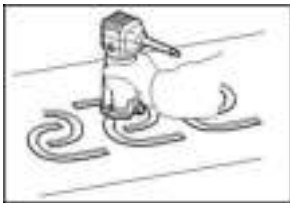
- **NOTE:** Moving the tool forward too fast may cause a poor quality of cut, or damage to the bit or motor. Moving the tool forward too slowly may burn and mar the cut. The proper feed rate will depend on the bit size, the kind of workpiece and depth of cut. Before beginning the cut on the actual workpiece, it is advisable to make a sample cut on a piece of scrap lumber. This will show exactly how the cut will look as well as enable you to check dimensions.
- When using the trimmer shoe, the straight guide or the trimmer guide, be sure to keep it on the right side in the feed direction. This will help to keep it flush with the side of the workpiece.



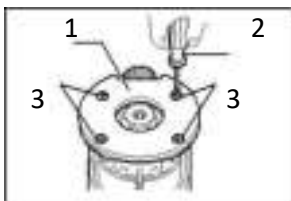
1. Feed direction
2. Bit revolving direction
3. Workpiece
4. Straight guide

- **CAUTION:** Since excessive cutting may cause overload of the motor or difficulty in controlling the tool, the depth of cut should not be more than 3 mm at a pass when cutting grooves. When you wish to cut grooves more than 3 mm deep, make several passes with progressively deeper bit settings.

## 5.2 Templet guide (optional accessory)

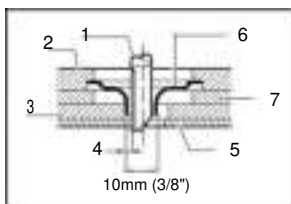


- The templet guide provides a sleeve through which the bit passes, allowing use of the trimmer with templet patterns. Loosen the screws and remove the base protector. Place the templet guide on the base and replace the base protector. Then secure the base protector by tightening the screws.



1. Base Proctor
2. Screwdriver
3. Screws

- Secure the templet to the workpiece. Place the tool on the templet and move the tool with the templet guide sliding along the side of the templet.

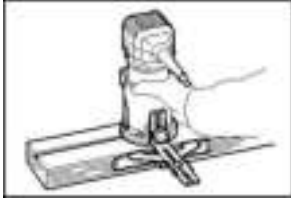


1. Straight bit
2. Base
3. Templet
4. Distance (X)
5. Workpiece
6. Templet guide  
10
7. Base protector

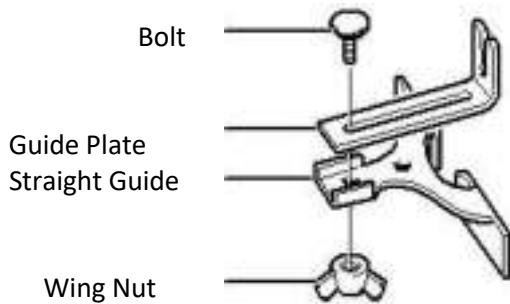
- **NOTE:** The workpiece will be cut a slightly different size from the templet. Allow for the distance (X) between the router bit and the outside of the templet guide. The distance (X)

can be calculated by using the following equation: Distance (X) = (outside diameter of the templet guide - router bit diameter) / 2

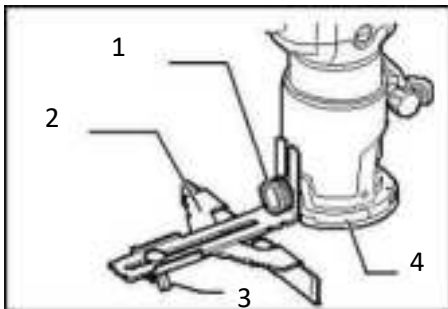
### 5.3 Straight guide (optional accessory)



- The straight guide is effectively used for straight cuts when chamfering or grooving.

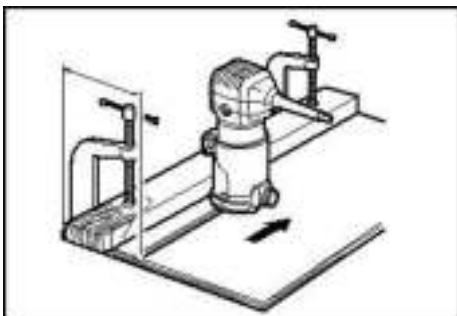


- Attach the guide plate to the straight guide with the bolt and the wing nut.



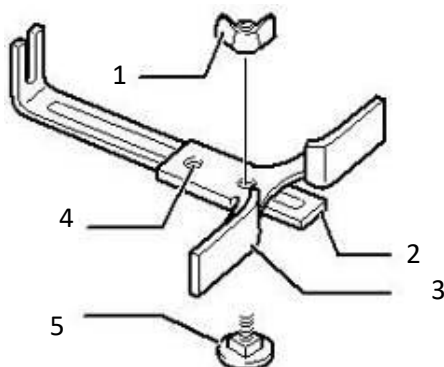
1. Clamp Screw
2. Straight Guide
3. Base
4. Wing Nut

- Attach the straight guide with the clamp screw (A). Loosen the wing nut on the straight guide and adjust the distance between the bit and the straight guide. At the desired distance, tighten the wing nut securely.
- When cutting, move the tool with the straight guide flush with the side of the workpiece.
- If the distance (A) between the side of the workpiece and the cutting position is too wide for the straight guide, or if the side of the workpiece is not straight, the straight guide cannot be used. In this case, firmly clamp a straight board to the workpiece and use it as a guide against the trimmer base. Feed the tool in the direction of the arrow.



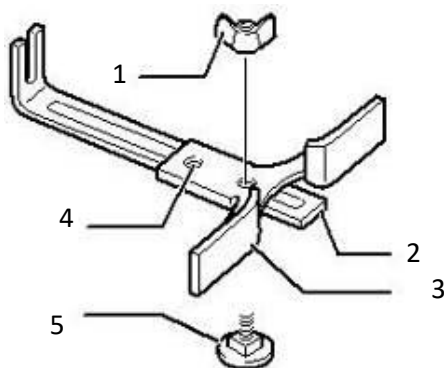
## 5.4 Circular work

1. Wing Nut
2. Guide Plate
3. Straight Guide
4. Central hole
5. Bolt



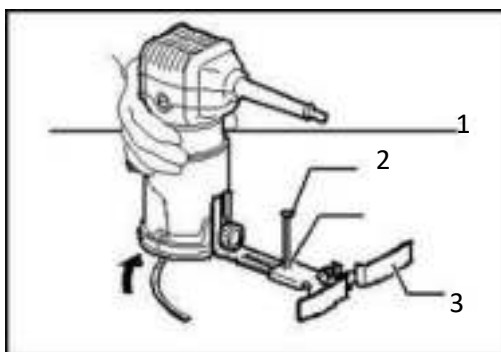
- Circular work may be accomplished if you assemble the straight guide and guide plate as shown in the figures.
- Min. and max. radius of circles to be cut (distance between the center of circle and the center of bit) are as follows:
  - Min.: 70 mm
  - Max.: 221 mm
  - For cutting circles between 70 mm and 121 mm in radius.
  - For cutting circles between 121 mm and 221 mm in radius.

1. Wing Nut
2. Guide Plate
3. Straight Guide
4. Central hole
5. Bolt



**NOTE:** Circles between 172 mm and 186 mm in radius cannot be cut using this guide.

1. Bolt
2. Central Hole
3. Straight Guide



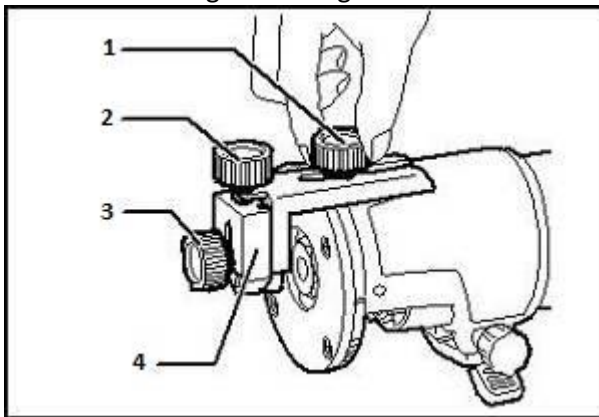
- Align the center hole in the straight guide with the center of the circle to be cut. Drive a nail

less than 6 mm in diameter into the center hole to secure the straight guide. Pivot the tool around the nail in clockwise direction.

### 5.5 Trimmer guide (optional accessory)

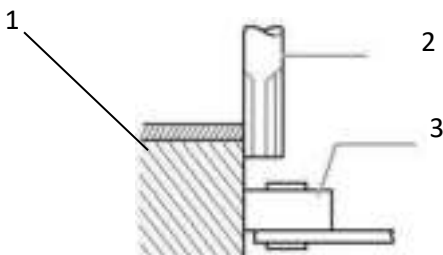


- Trimming, curved cuts in veneers for furniture and the like can be done easily with the trimmer guide. The guide roller rides the curve and assures a fine cut.



1. Bolt Clamp
2. Adjusting Screw
3. Fix Screw
4. Trim Guide

- Install the trimmer guide on the tool base with the clamp screw (A). Loosen the clamp screw (B) and adjust the distance between the bit and the trimmer guide by turning the adjusting screw (1 mm per turn). At the desired distance, tighten the clamp screw (B) to secure the trimmer guide in place.

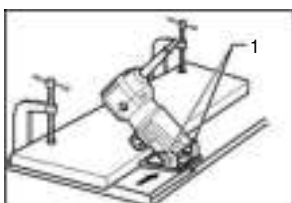


1. Workpiece (links)
2. Bit
3. guide Roll

- When cutting, move the tool with the guide roller riding the side of the workpiece.

### 5.6 Tilt base (optional accessory)

Tilt base (optional accessory) is convenient for chamfering.

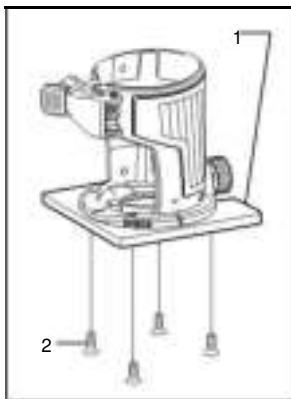


1. Clamping screws

- Place the tool onto the tilt base and close the locking lever at the desired protrusion of the bit. For desired angle, tighten the clamping screws on its sides.
- Firmly clamp a straight board to the workpiece and use it as a guide against the tilt base. Feed the tool in the direction of the arrow.

### 5.7 Base protector removed from the tilt base (optional accessory)

- Mounting the base protector which has been removed from the tilt base on the trimmer base allows the change of the trimmer base from the round base to a square base.
- For another application, remove the base protector from the tilt base by loosening and removing four screws.



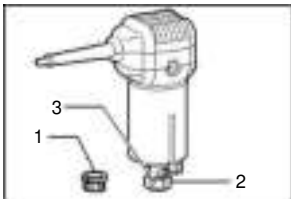
1. Base protector  
2. Screw

011994

And then mount the base protector on the trimmer base.

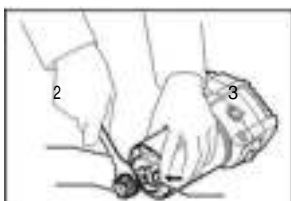
### 5.8 Offset base (optional accessory)

Offset base (optional accessory) is convenient for work in a tight area such as a corner.



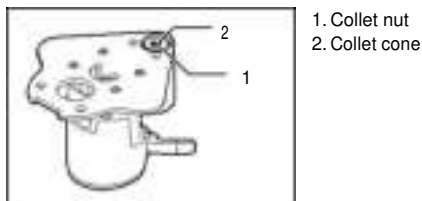
1. Pulley  
2. Collet nut  
3. Collet cone

- Before installing the tool on the offset base, remove the collet nut and collet cone by loosening the collet nut.



1. Wrench  
2. Pulley  
3. Shaft lock

- Install the pulley on the tool by pressing the shaft lock and firmly tightening the pulley with a wrench.



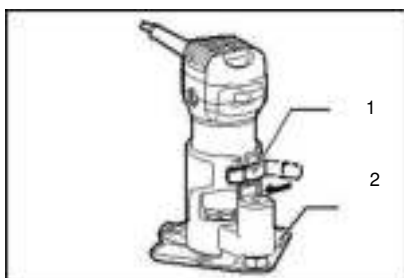
- Place the collet cone and screw the collet nut on the offset base as shown in the figure.



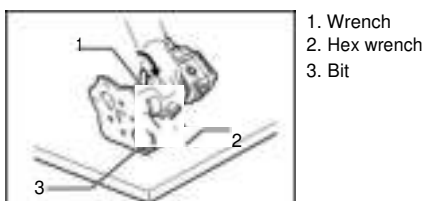
- Mount the tool on the offset base.



- Put an end of the belt over the pulley using a screwdriver and make sure that its entire belt width fits over the pulley completely.

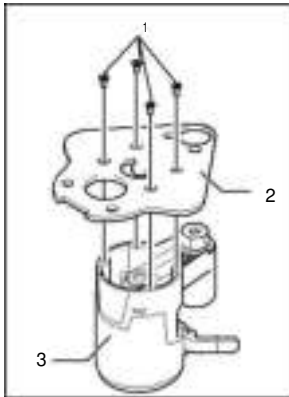


- Secure it with a locking lever on the offset base.



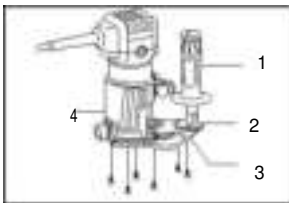
- To install the bit, fall the tool with the offset base on its side. Insert the hex wrench into the hole in the offset base. With the hex wrench held in that position, insert the bit into the collet cone on the shaft of the offset base from the opposite side and tighten the collet nut firmly with a wrench.
- To remove the bit at replacement, follow the installation procedure in reverse.

Offset base (optional accessory) can also be used with a trimmer base and a grip attachment (optional accessory) for more stability.



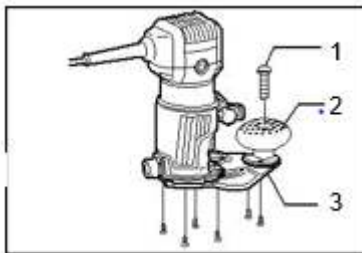
1. Screws
2. Offset base plate
3. Upper section of the offset base

- Loosen the screws and remove the upper section from the offset base. Put aside the upper section of the offset base.



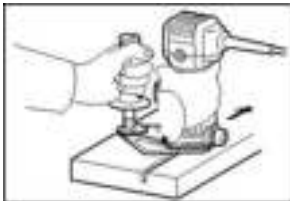
1. Bar type grip (optional accessory)
2. Grip attachment (optional accessory)
3. Offset base plate
4. Trimmer base assembly (optional accessory)

- Mount the trimmer base with four screws and the grip attachment (optional accessory) with two screws on the offset base plate.
- Screw a bar type grip (optional accessory) onto the grip attachment.

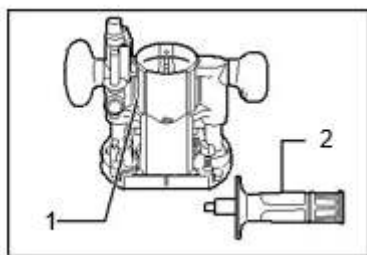


1. Screw
2. Knob type grip
3. Offset base plate

- In another way of use, the knob type grip which is removed from a plunge base (optional accessory) can be installed on the grip attachment. To install the knob type grip, place it on the grip attachment and secure it with a screw.

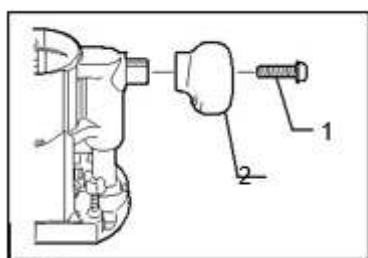


- **When using as a router only with a plunge base (optional accessory)**
- **CAUTION:** When using as a router, hold the tool firmly with both hands.



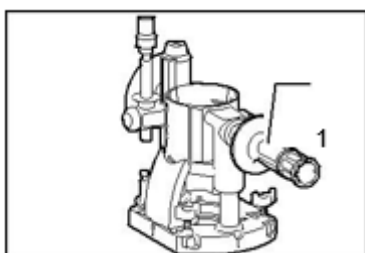
- 1. Plunge base
- 2. Grip

- To use the tool as a router, install the tool on a plunge base (optional accessory) by pressing it down fully. Either knob type grip or bar type grip (optional accessory) can be used according to your work.



- 1. Screw
- 2. Knob

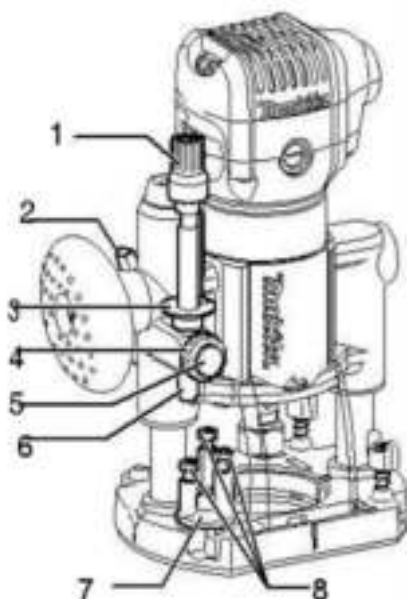
- To use the bar type grip (optional accessory), loosen the screw and remove the knob type grip.



- 1. Bar type grip (optional accessory)

- And then screw the bar type grip on the base.

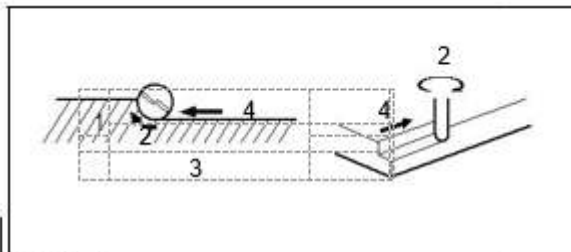
### 5.9 Adjusting the depth of cut when using the plunge base (optional accessory)



- 1. Adjusting knob
- 2. Lock lever
- 3. Depth Pointer
- 4. Stopper Pole Setting Nut
- 5. Fast feed button
- 6. Stopper Pole
- 7. Stopper Block
- 8. Adjusting Bolt

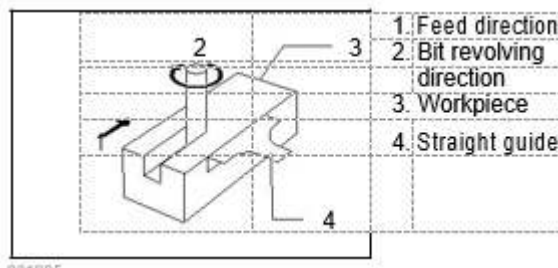


- Place the tool on a flat surface. Loosen the lock lever and lower the tool body until the bit just touches the flat surface. Tighten the lock lever to lock the tool body.
- Turn the stopper pole setting nut counterclockwise. Lower the stopper pole until it makes contact with the adjusting bolt. Align the depth pointer with the "0" graduation. The depth of cut is indicated on the scale by the depth pointer. While pressing the fast-feed button, raise the stopper pole until the desired depth of cut is obtained. Minute depth adjustments can be obtained by turning the adjusting knob (1 mm per turn)
- By turning the stopper pole setting nut clockwise, you can fasten the stopper pole firmly.
- Now, your predetermined depth of cut can be obtained by loosening the lock lever and then lowering the tool body until the stopper pole makes contact with the adjusting hex bolt of the stopper block.
- Always firmly hold the tool by both grip during operation. Set the tool base on the workpiece to be cut without the bit making any contact. Then turn the tool on and wait until the bit attains full speed. Lower the tool body and move the tool forward over the workpiece surface, keeping the tool base flush and advancing smoothly until the cutting is complete.
- When doing edge cutting, the workpiece surface should be on the left side of the bit in the feed direction.



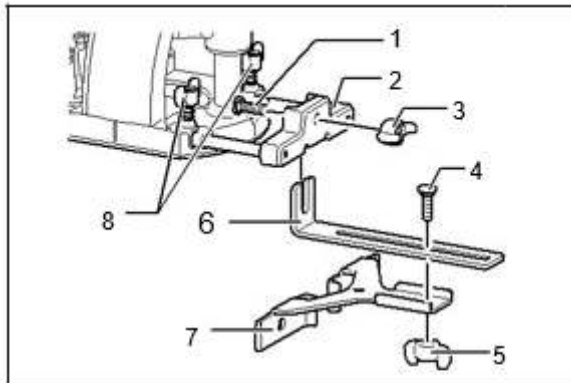
1. Workpiece
2. Bit revolving direction
3. View from the top of the tool
4. Feed direction

- **NOTE:** Moving the tool forward too fast may cause a poor quality of cut, or damage to the bit or motor. Moving the tool forward too slowly may burn and mar the cut. The proper feed rate will depend on the bit size, the kind of workpiece and depth of cut. Before beginning the cut on the actual workpiece, it is advisable to make a sample cut on a piece of scrap lumber. This will show exactly how the cut will look as well as enable you to check dimensions.
- When using the straight guide, be sure to install it on the right side in the feed direction. This will help to keep it flush with the side of the workpiece.



**Straight guide when using as a router (needed to use with guide holder (optional accessory))**

- The straight guide is effectively used for straight cuts when chamfering or grooving.

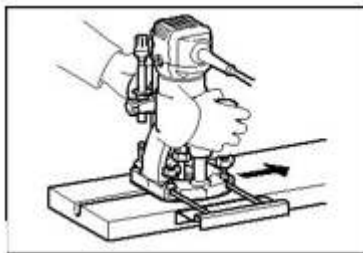


1. Bolt
2. Guide holder
3. Wing nut
4. Bolt
5. Wing nut
6. Guide plate
7. Straight guide
8. Wing bolts

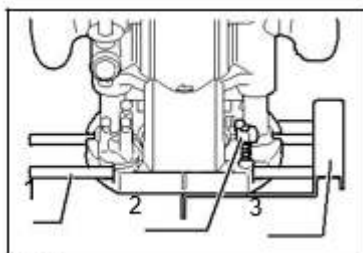
011988

- Install the straight guide on the guide holder (optional accessory) with the wing nut.
- Insert the guide holder into the holes in the plunge base and tighten the wing bolts. To adjust the distance between the bit and the straight guide, loosen the wing nut. At the desired distance, tighten the wing nut to secure the straight guide in place.

### 5.10 Straight guide (optional accessory)

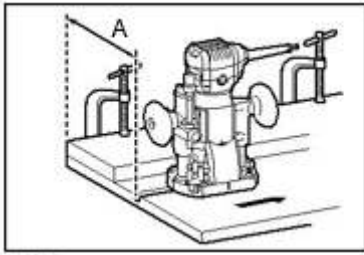


- The straight guide is effectively used for straight cuts when chamfering or grooving.



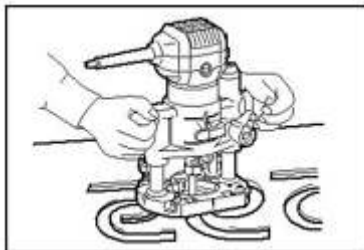
1. Guide bar
2. Wing bolt
3. Straight guide

- To install the straight guide, insert the guide bars into the holes in the plunge base. Adjust the distance between the bit and the straight guide. At the desired distance, tighten the wing bolts to secure the straight guide in place. When cutting, move the tool with the straight guide flush with the side of the workpiece.

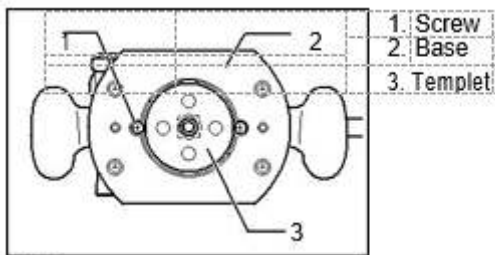


- If the distance (A) between the side of the workpiece and the cutting position is too wide for the straight guide, or if the side of the workpiece is not straight, the straight guide cannot be used. In this case, firmly clamp a straight board to the workpiece and use it as a guide against the router base. Feed the tool in the direction of the arrow.

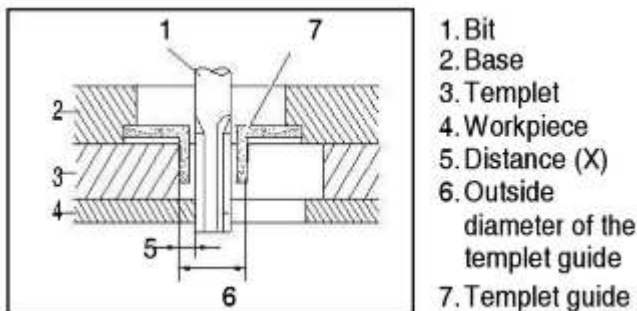
### 5.11 Templet guide (optional accessory)



- The templet guide provides a sleeve through which the bit passes, allowing use of the tool with templet patterns. To install the templet guide, loosen the screws on the tool base, insert the templet guide and then tighten the screws.



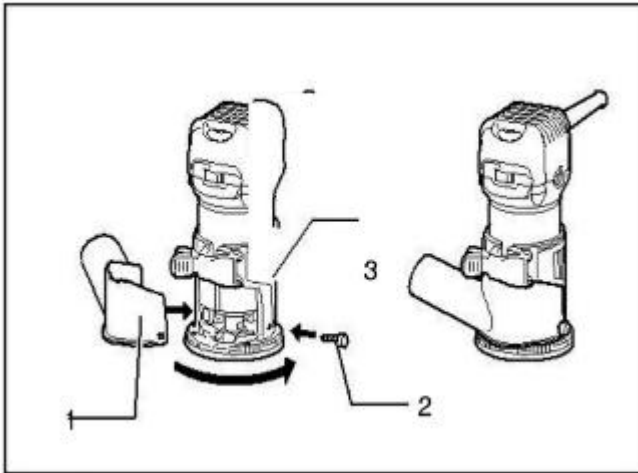
- Secure the templet to the workpiece. Place the tool on the templet and move the tool with the templet guide sliding along the side of the templet.



- **NOTE:** The workpiece will be cut a slightly different size from the templet. Allow for the distance (X) between the bit and the outside of the templet guide. The distance (X) can be calculated by using the following equation:  $\text{Distance (X)} = (\text{outside diameter of the templet guide} - \text{bit diameter}) / 2$

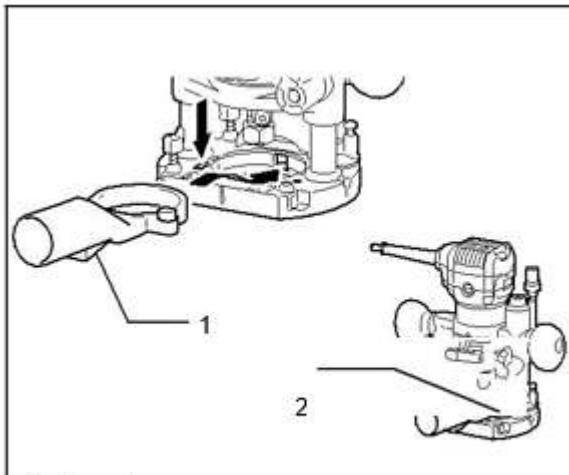
## 5.12 Dust nozzle sets

### For the trimmer base



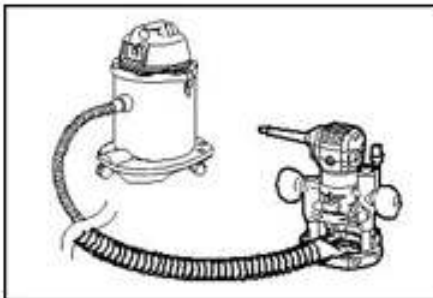
1. Dust Nozzle
2. Thumb Screw
3. Trimmerbase

### For the plunge base (optional accessory)



1. Dust nozzle
2. Thumb screw

- Use the dust nozzle for dust extraction. Install the dust nozzle on the tool base using the thumb screw so that protrusion on the dust nozzle fit to the notch in the tool base.
- Then connect a vacuum cleaner to the dust nozzle.

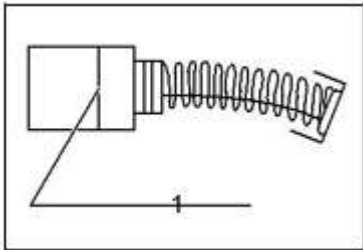


Q11854

## 6. Maintenance

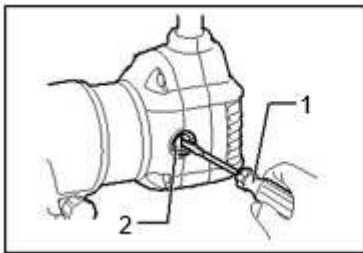
- **CAUTION:** Always be sure that the tool is switched off and unplugged before attempting to perform inspection or maintenance.
- Never use gasoline, benzine, thinner, alcohol or the like. Discoloration, deformation or cracks may result.

### Replacing carbon brushes



1. Limit mark

- Remove and check the carbon brushes regularly. Replace when they wear down to the limit mark. Keep the carbon brushes clean and free to slip in the holders. Both carbon brushes should be replaced at the same time. Use only identical carbon brushes.



1. Screwdriver  
2. Brush holder cap

- Use a screwdriver to remove the brush holder caps. Take out the worn carbon brushes, insert the new ones and secure the brush holder caps.

## 7. Disposal Instructions

### 7.1 Disposal of the packaging

- Please make reference to the guidelines and standards for appropriate disposal of the packaging valid in your region. In part, the package may consist of plastic bags - watch this respect, with special care to ensure that this is out of the reach of children. There is a risk of suffocation!

### 7.2 Disposal of waste equipment

- Equipment must be disposed of in accordance with the rules and regulations of the local waste disposal.

### 7.3 Meaning of the "dustbin"



Protect our environment; electrical appliances do not belong in household waste. Use the provided for the disposal of electrical equipment collection points and enter your electrical and electronic equipment that you no longer use. They help ensure that the potential effects of incorrect disposal on the environment and human health to be avoided. So, do your part to recycle, recycling and other forms of recovery of waste electrical and electronic equipment. Information on where the devices are disposed of, please contact your local authorities or local Governments.

**Our customer service number: +49 (0) 931-4523270**

## EU Declaration of Conformity

We,

Canbolat Vertriebs GmbH, Gneisenaustraße 10--11, 97074 Würzburg, Germany,

Hereby declare that the product named below, seen its design and construction as well as according to our sales, has been complied with the relevant and basic health and safety EU-requirements.

Name of the product: Trimmer

Model Nr.: AR-HE-OB710

Art. Nr.: 4260627424108

If this product is modified without our consent, it loses the right to any warranty.

Tested acc. To:

EN 60745-1 :2009+A11 :2010

EN 60745-2-17 :2010

EK9-BE-88(V2) :2020

EU-Norms:

Machinery Directive 2006/42/EC

AfPS GS 2014:01 PAK

Date/Manufacturer Signature/Location:

Würzburg, 26.02.2021



Identification of the signatory:

Korhan Canbolat, head of the company

Authorised representative for the technical documentation:

Korhan Canbolat

**Office address:**

Canbolat Vertriebs GmbH

Gneisenaustraße 10-11

D-97074 Würzburg

Return address can be found in the imprint: <https://www.arebos.de/impressum/>

VAT identification number: DE 263752326

Court of the Commercial Register is Würzburg, HRB 10082

WEEE Reg.-No. DE 61617071