



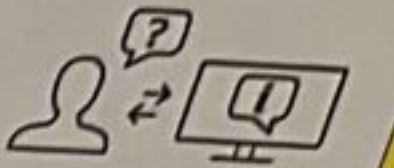
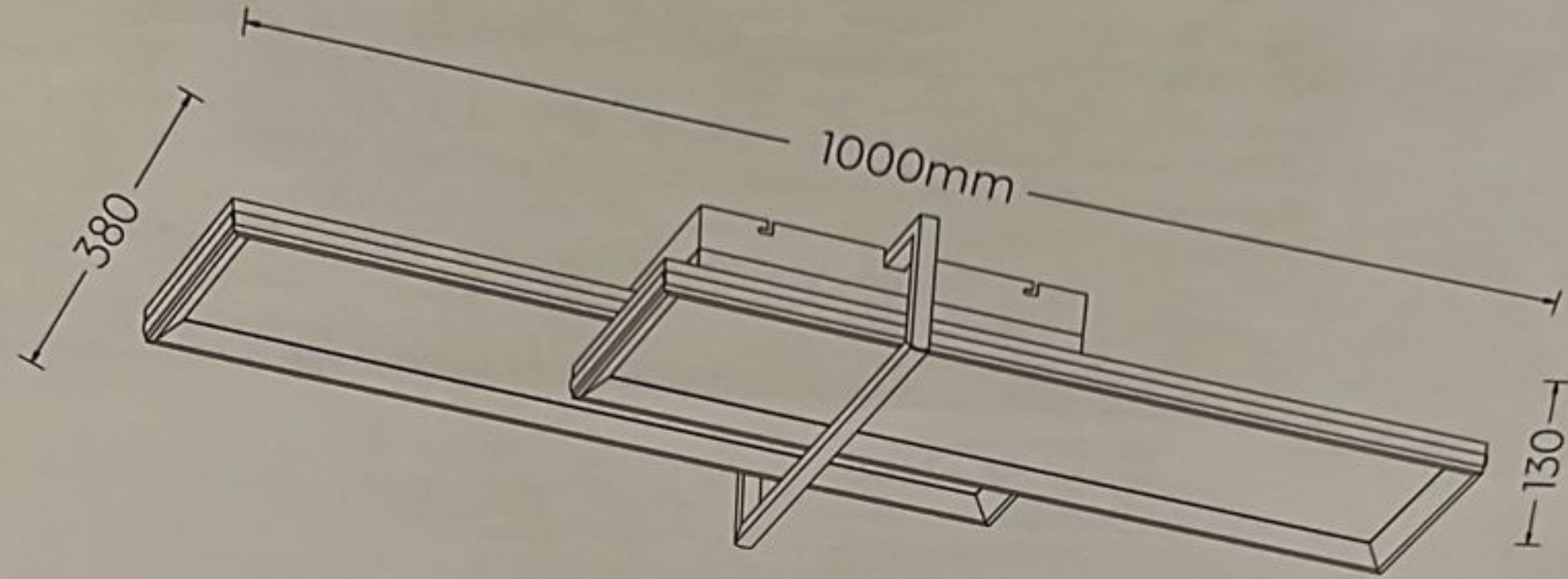
672110505

CHARLESTON

230V~50Hz
incl. 1x LED 22W
incl. 1x LED 12W

class II

2600lm + 1600lm
3000 K
>80 CRI
25000 H
15000x ON/OFF



trio-lighting.com/
672110505

www.trio-lighting.com



 **TRIO**
LIGHTING FOR YOU

LED
2600+1600
lumen