



Rubinerterie Italiane Velatta SpA

— since 1950 —

>> **YOU need the BEST**



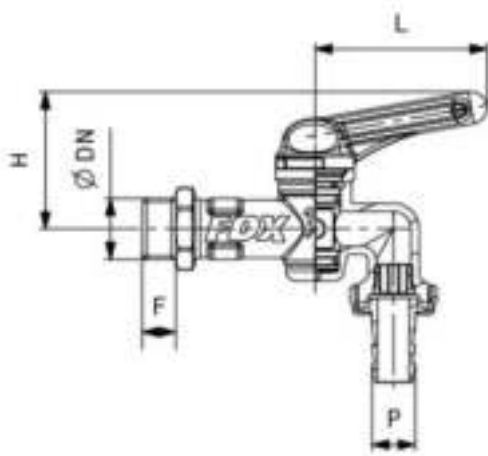
Series



RIV 5611

Antifreeze ball bibcock
 with hose connection
 Techno-polymer lever handle

» Tech drawings and tables



DN	Codice	Ø	F	H	L	P	PN	KG	P/box
1/2"	025611000004	9	12	47	60	15	16	0,247	20

» Advantages

Fox is an innovative water bibcock with a robust design and a modern, elegant look.

Designed with a new constructive concept to offer a product with superior technical features compared to traditional bibcocks.

The techno-polymer plug with integrated handle allows a smooth control and has a built-in anti-freeze system.

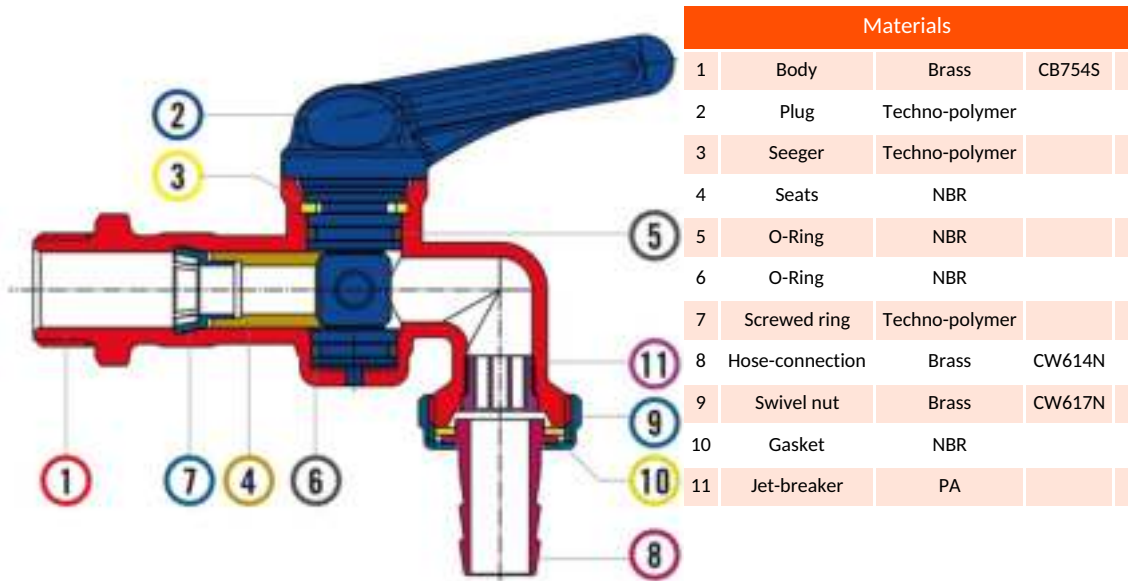
The techno-polymer lever handle ensures a **complete lack of corrosion**.

Besides the traditional installations, Fox is the ideal product in cold zones or in areas with a heavy presence of salty air.



>> Technical data

RIV 5611



Materials			
1	Body	Brass	CB754S
2	Plug	Techno-polymer	
3	Seeger	Techno-polymer	
4	Seats	NBR	
5	O-Ring	NBR	
6	O-Ring	NBR	
7	Screwed ring	Techno-polymer	
8	Hose-connection	Brass	CW614N
9	Swivel nut	Brass	CW617N
10	Gasket	NBR	
11	Jet-breaker	PA	

Connection	ISO 228/1
Limit	-10°C (14°F) +60°C (140°F)
Notes	The max.working pressure (PN) means at a room temperature of about 23°C.

» More Products



RIV 5612

Antifreeze ball bibcock
with hose connection
Lockable techno-polymer lever
handle