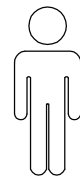
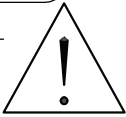
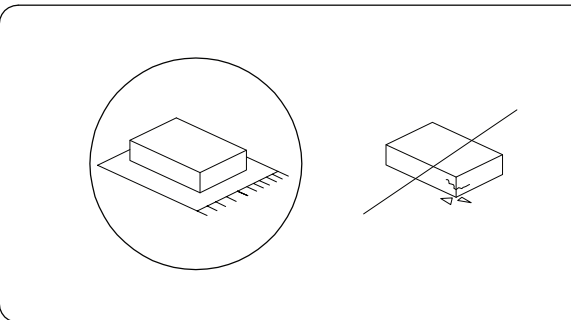
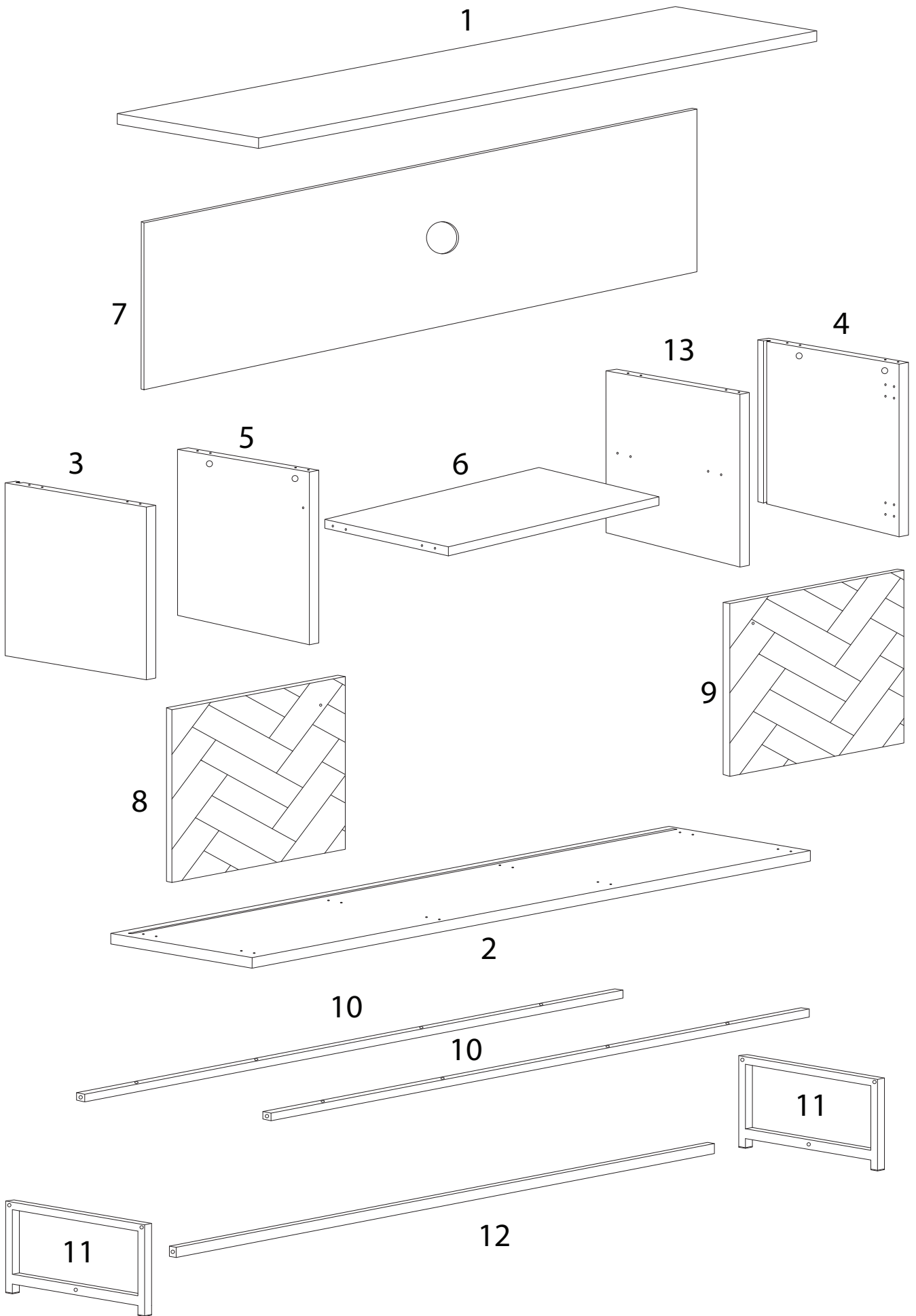


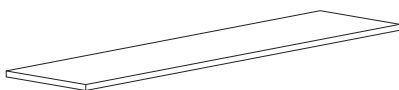
60'



2

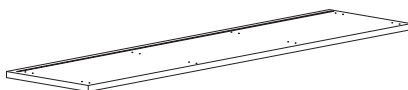


1



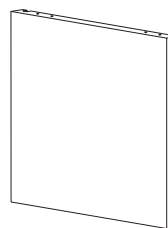
x 1

2



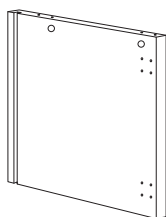
x 1

3



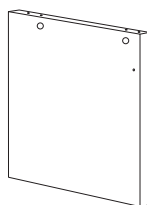
x 1

4



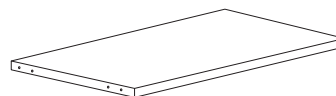
x 1

5



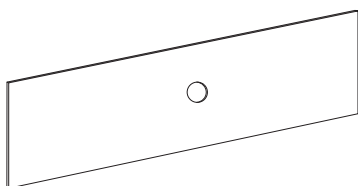
x 1

6



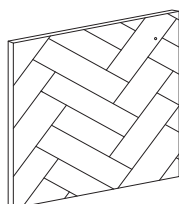
x 1

7



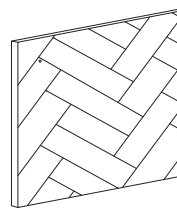
x 1

8



x 1

9



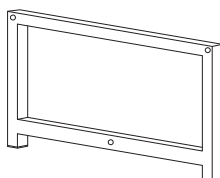
x 1

10



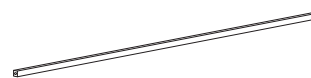
x 2

11



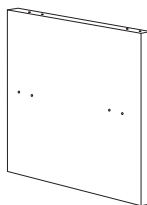
x 2

12



x 1

13



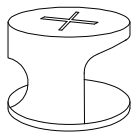
x 1

A



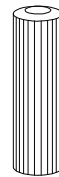
x 12

B



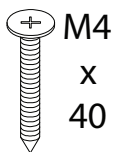
x 12

C



x 20

D



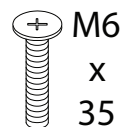
x 8

G



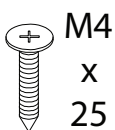
x 2

I



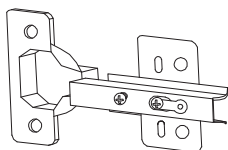
x 6

J



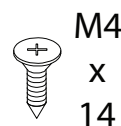
x 10

K



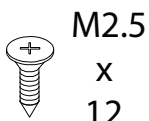
x 4

L



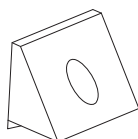
x 24

N



x 10

O



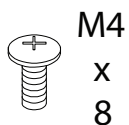
x 10

P1



x 2

P2



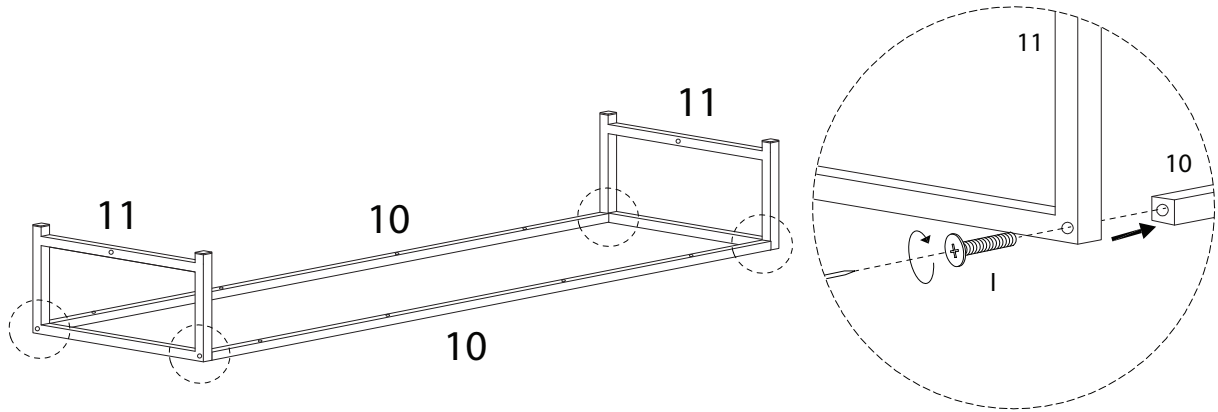
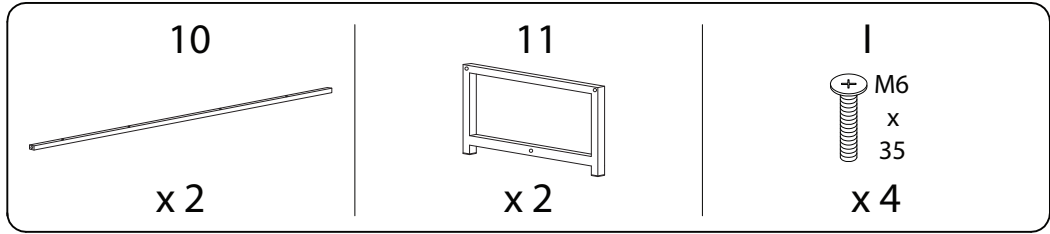
x 2

P3

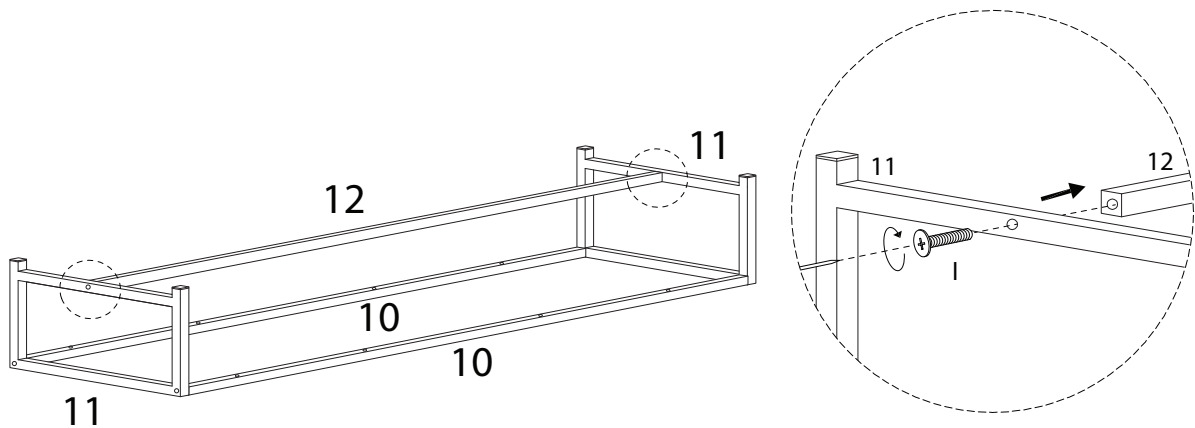
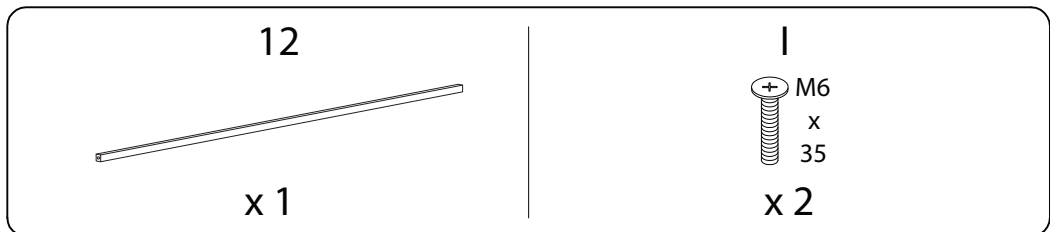


x 2

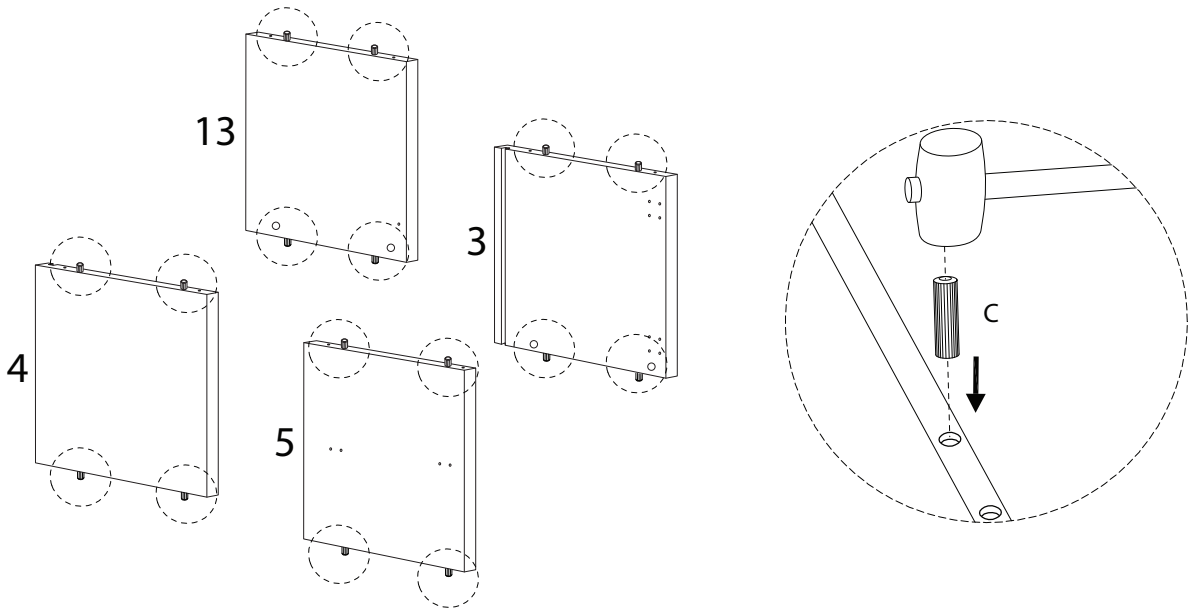
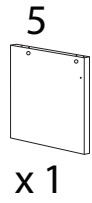
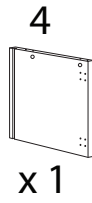
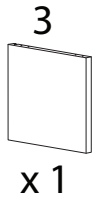
1



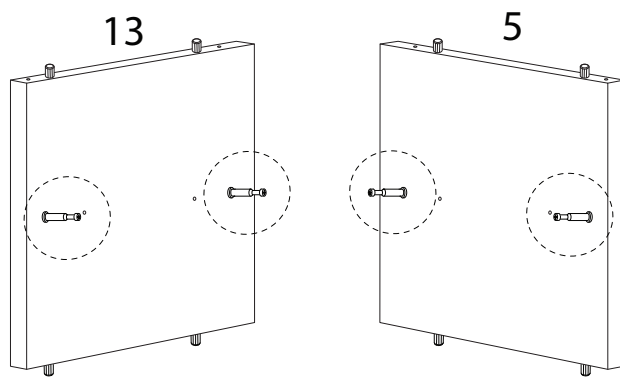
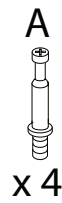
2



3

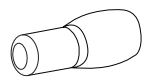


4

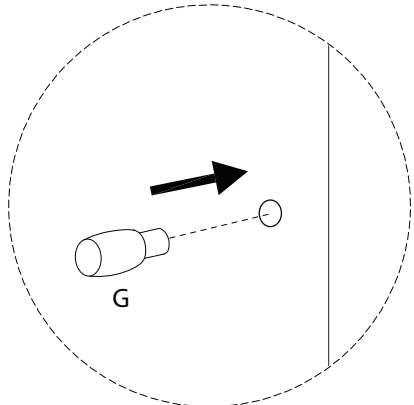
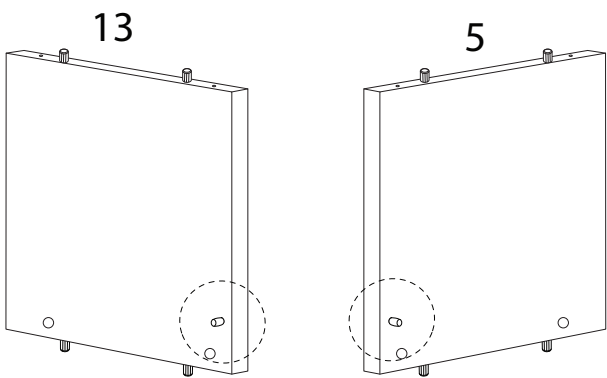


5

G

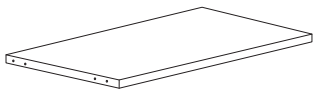


x 2



6

6

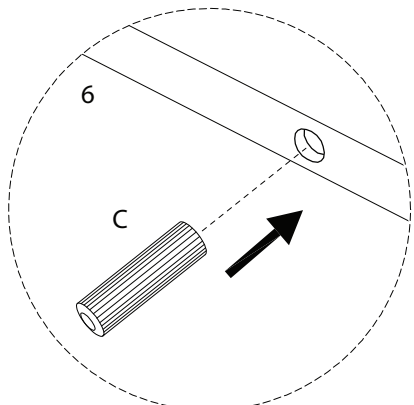
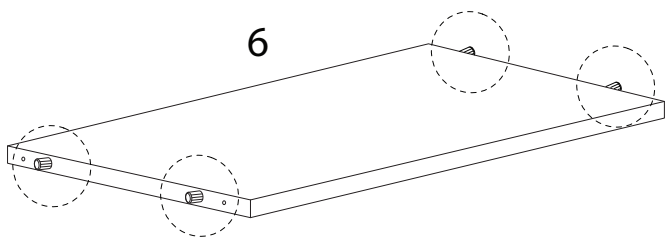


x 1

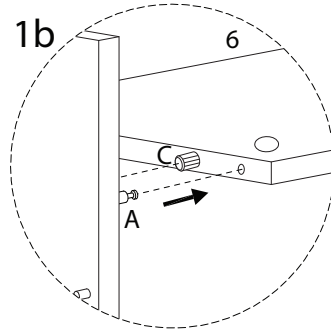
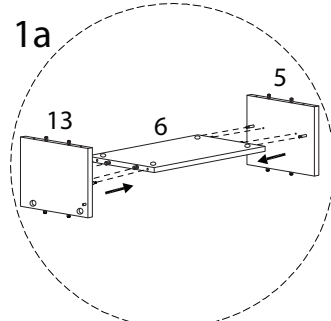
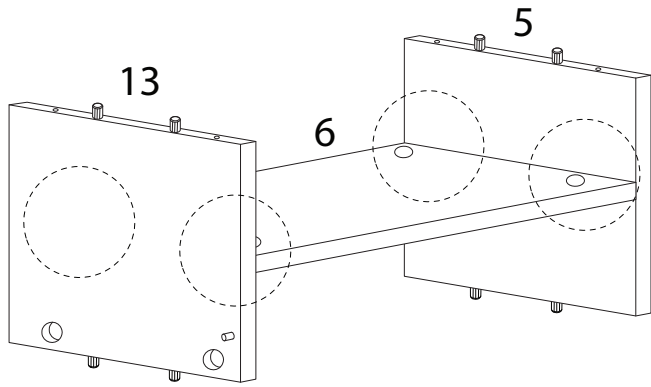
C



x 4



7

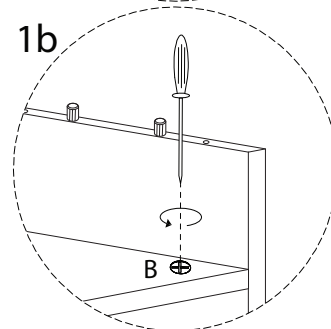
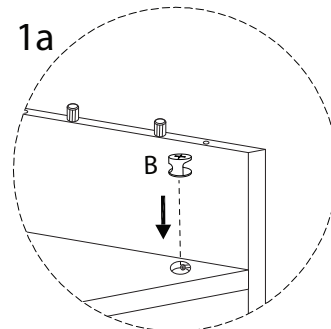
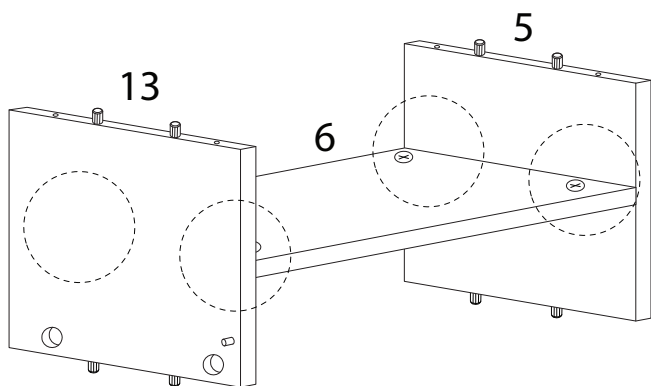


8

B

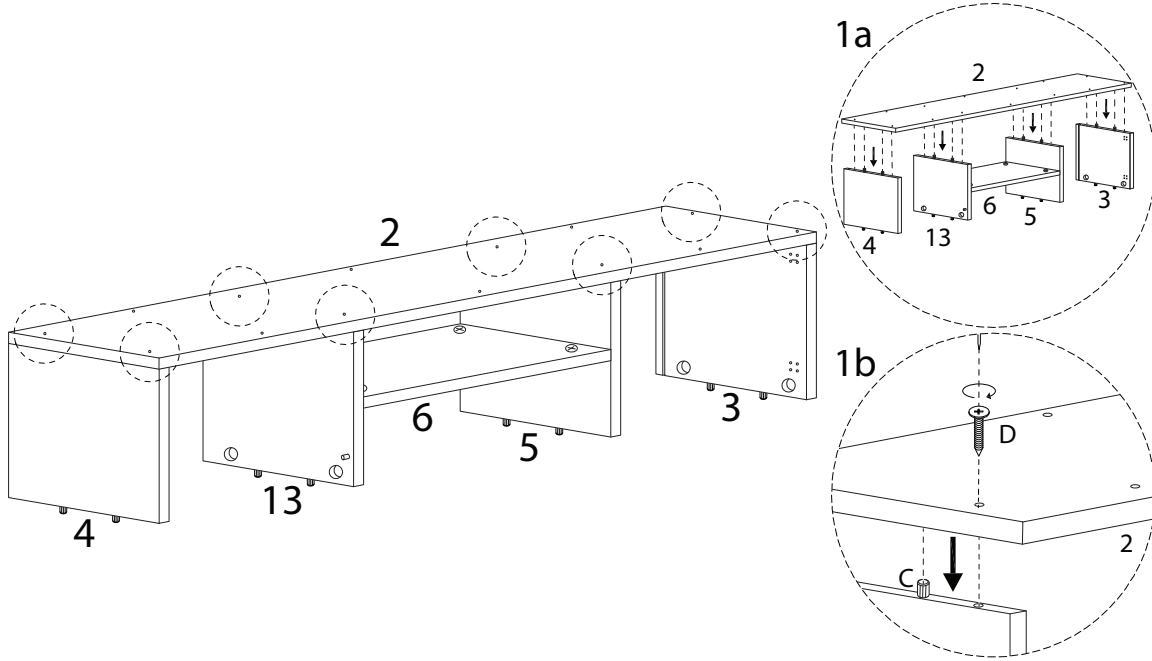
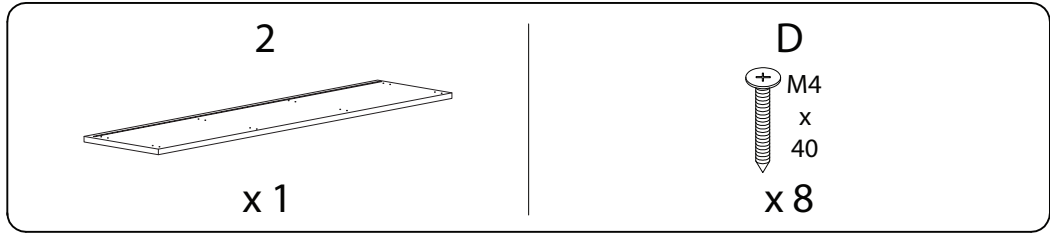


x 4

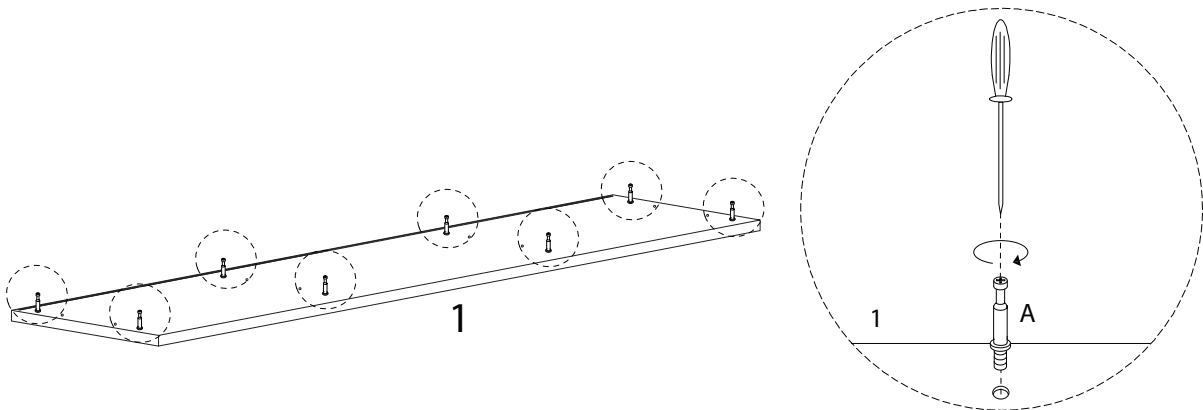
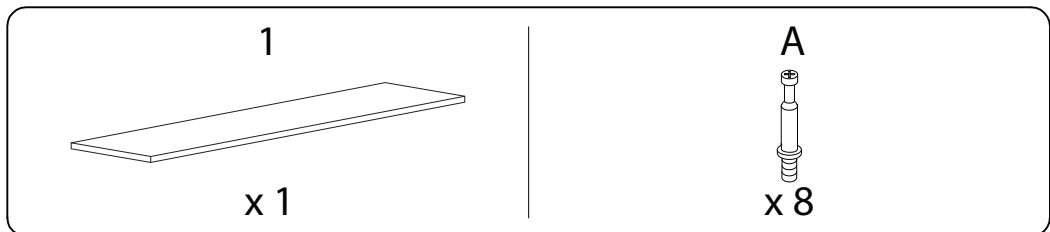




9

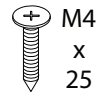


10

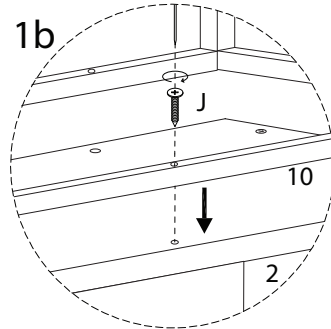
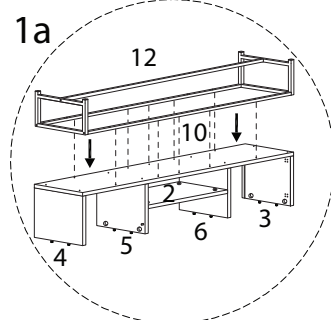
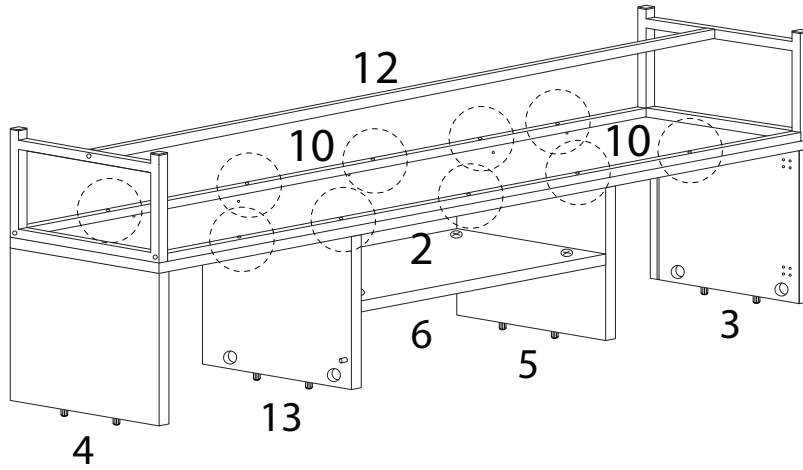


11

J

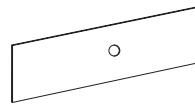


x 10

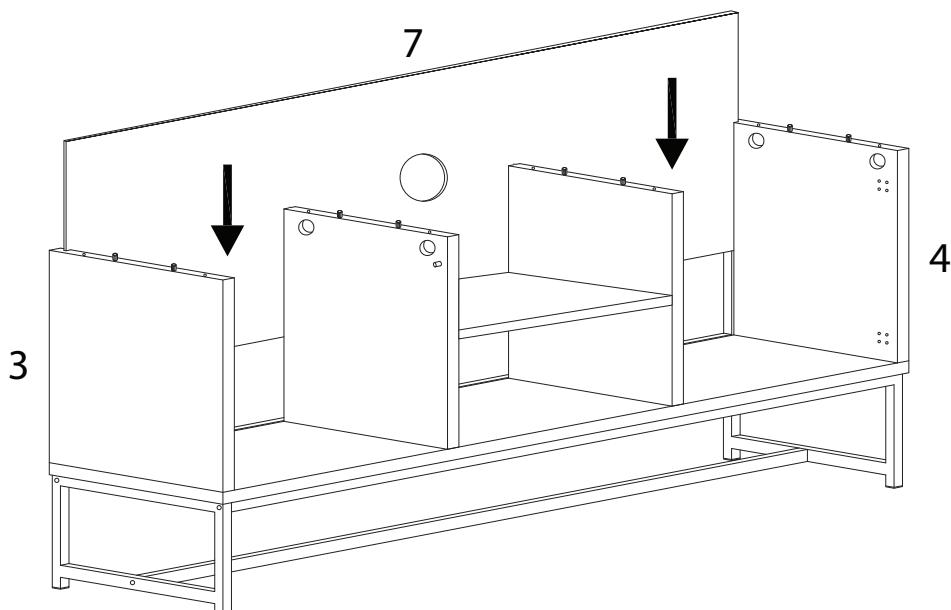


12

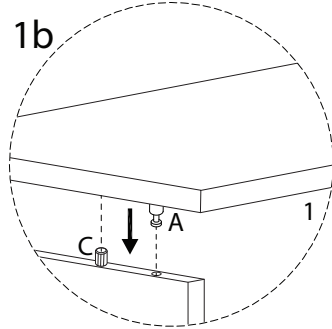
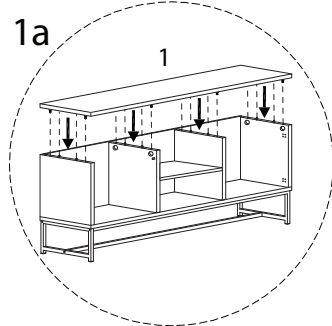
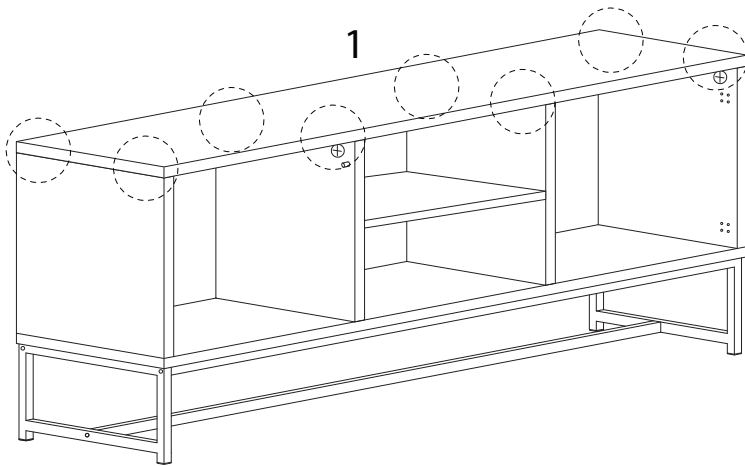
7



x 1



13

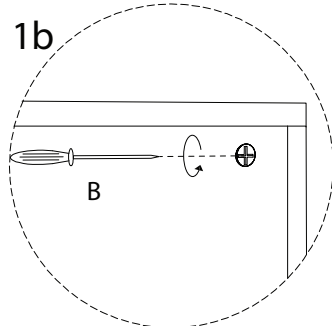
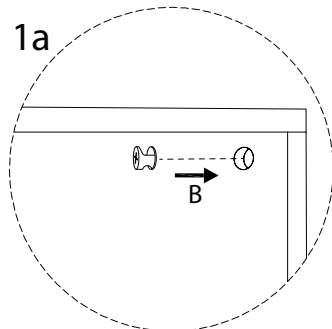
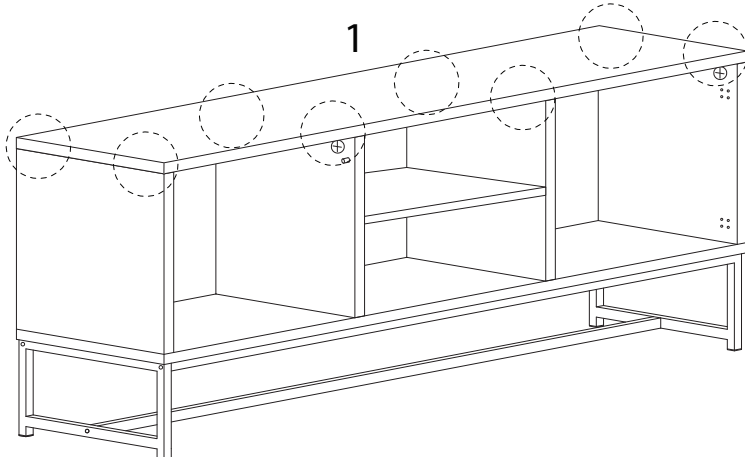


14

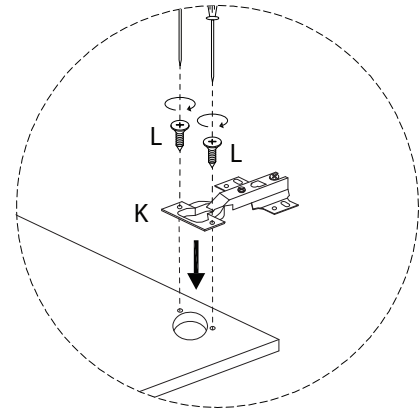
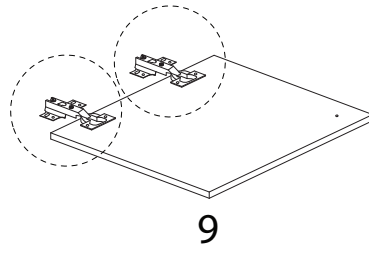
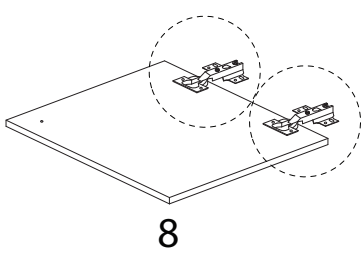
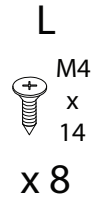
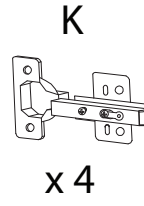
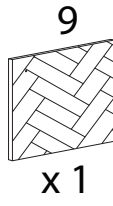
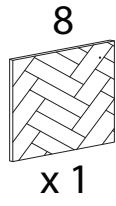
B



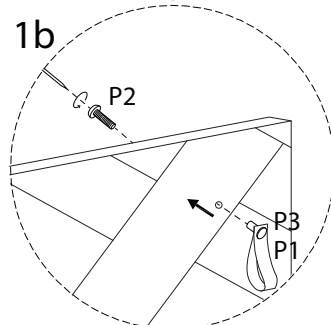
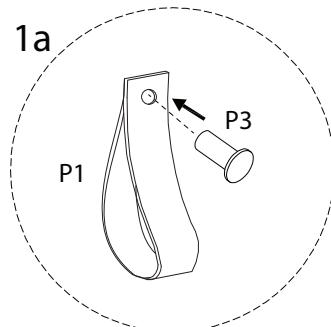
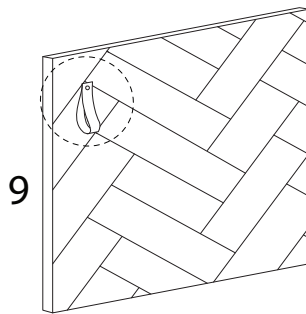
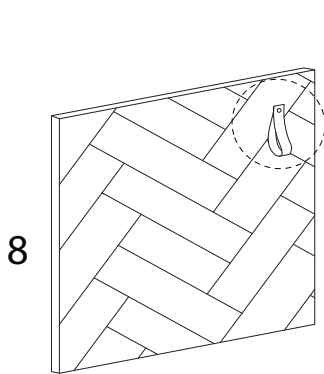
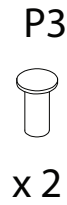
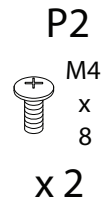
x 8



15



16



17

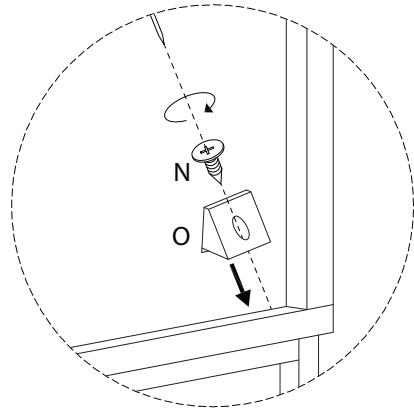
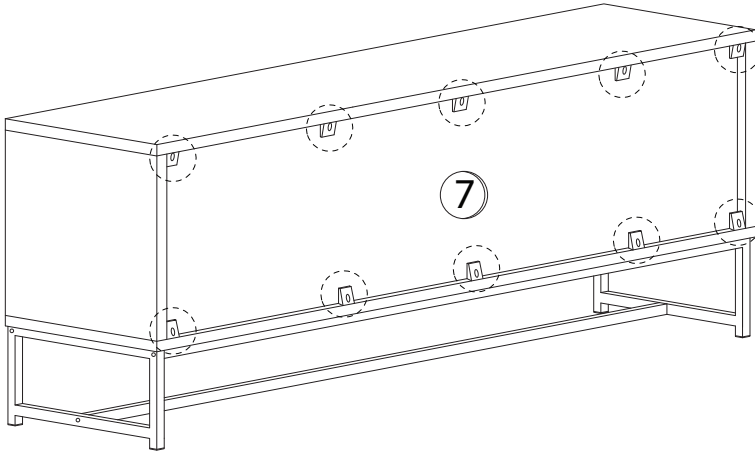
N

M2.5  
x  
12  
x 10

O



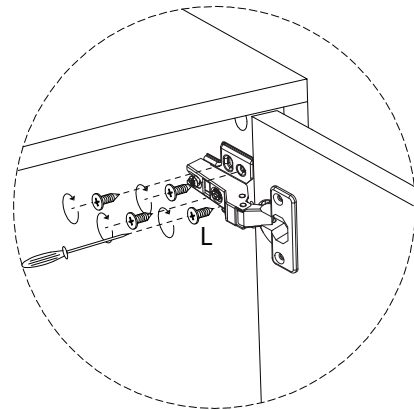
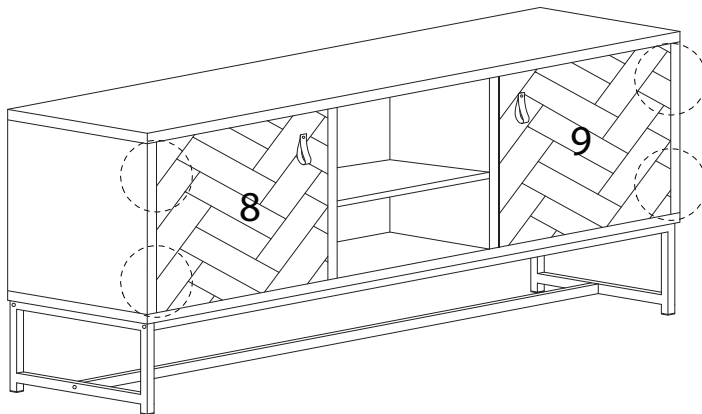
x 10



18

L

M4  
x  
14  
x 16



19

