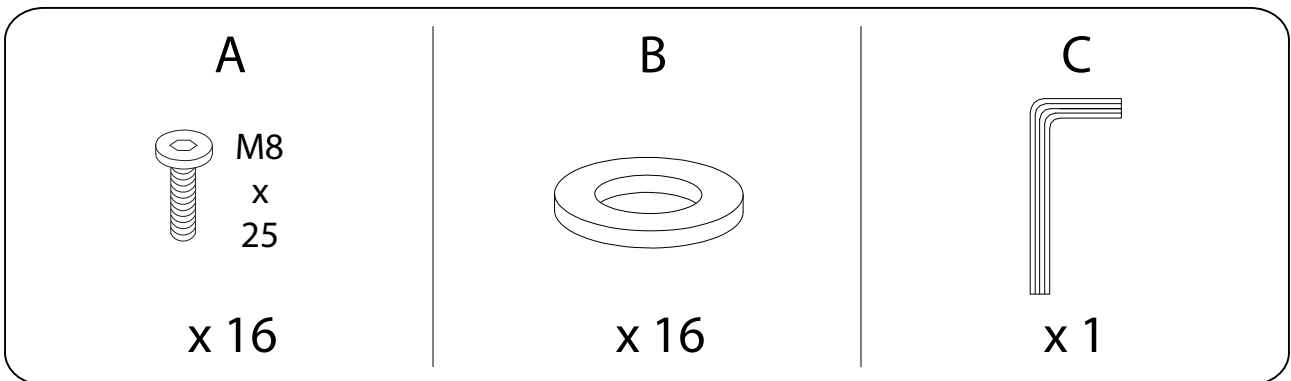
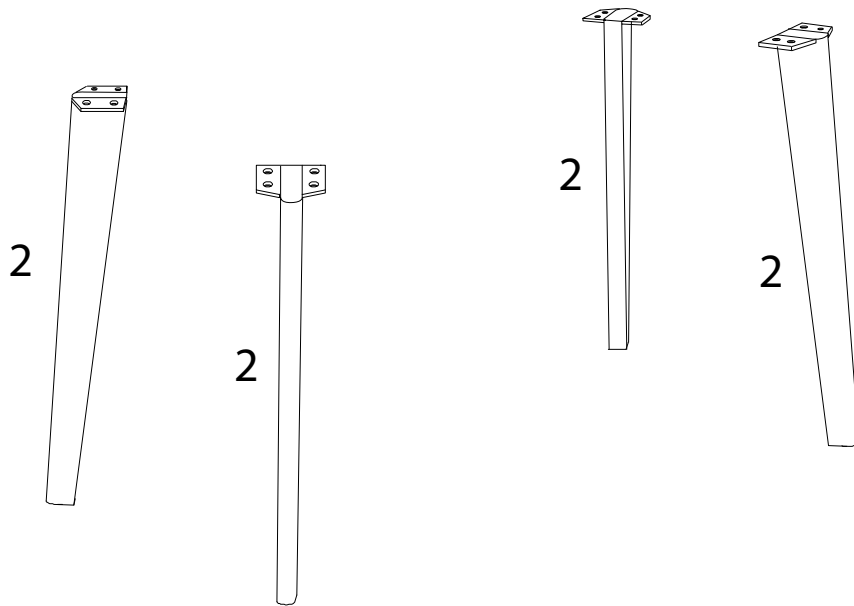
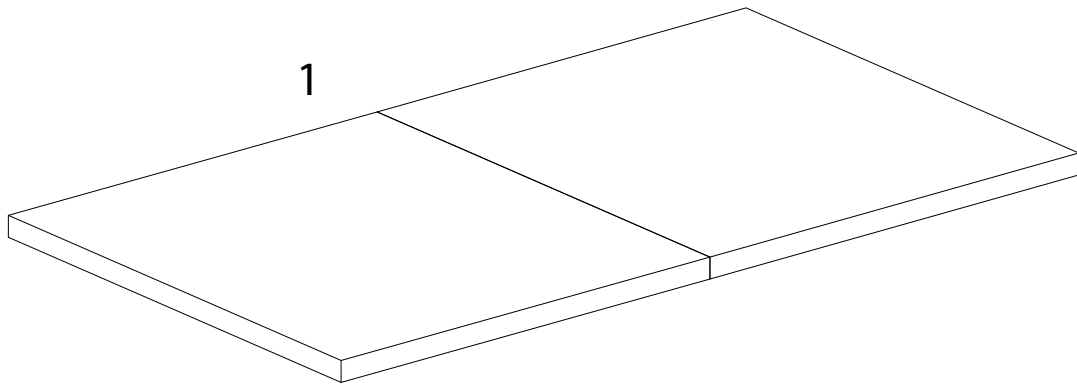
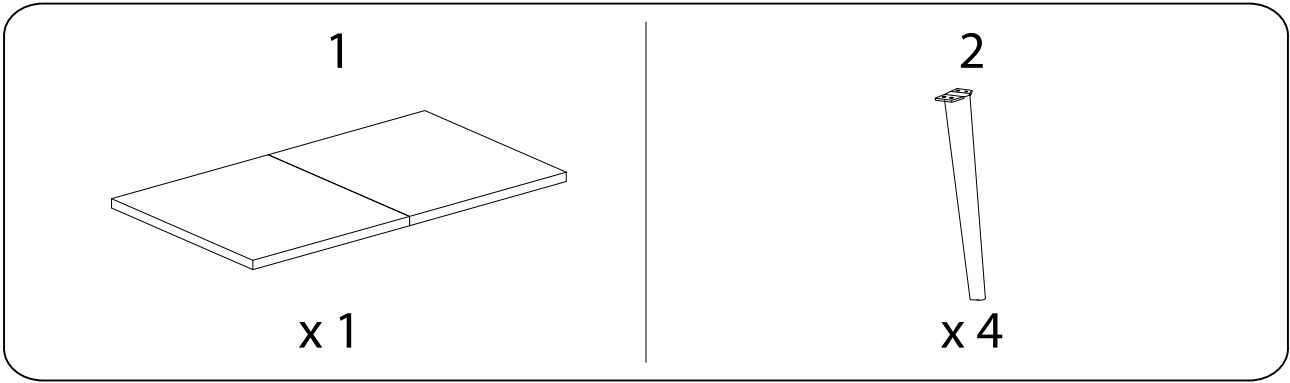
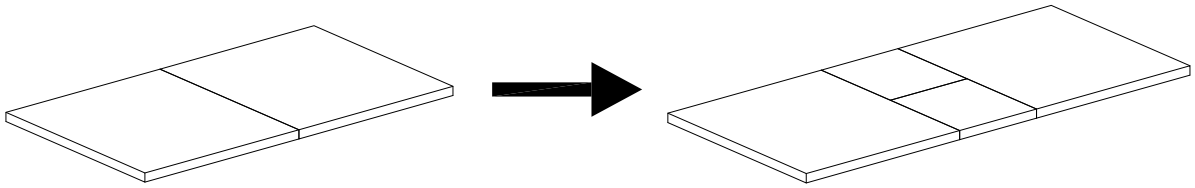
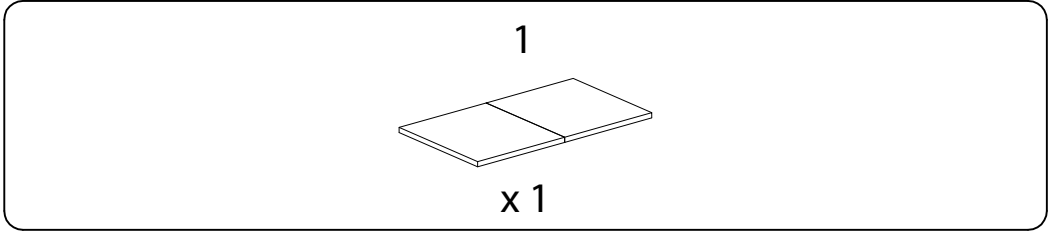


Assembly instructions for the table, including safety warnings, time, and person requirements.

- Warning 1:** A warning triangle with an exclamation mark is connected by a line to a box containing an icon of an L-shaped bracket and a crossed-out power drill, indicating that a power drill should not be used for this step.
- Warning 2:** A second warning triangle with an exclamation mark is connected by a line to a box containing an icon of a rectangular block being placed on a textured surface and another icon of a block being lifted, indicating a specific handling or placement instruction.
- Time:** A clock icon is positioned to the right of the first warning, with the text "30'" below it, indicating that this step should take approximately 30 minutes.
- Personnel:** A person icon is positioned to the right of the second warning, with the number "2" below it, indicating that two people are required for this step.



1



2

