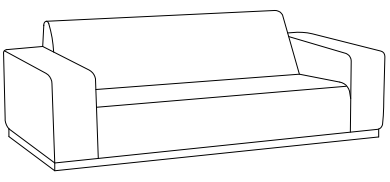
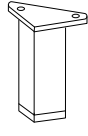
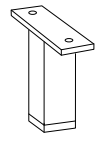
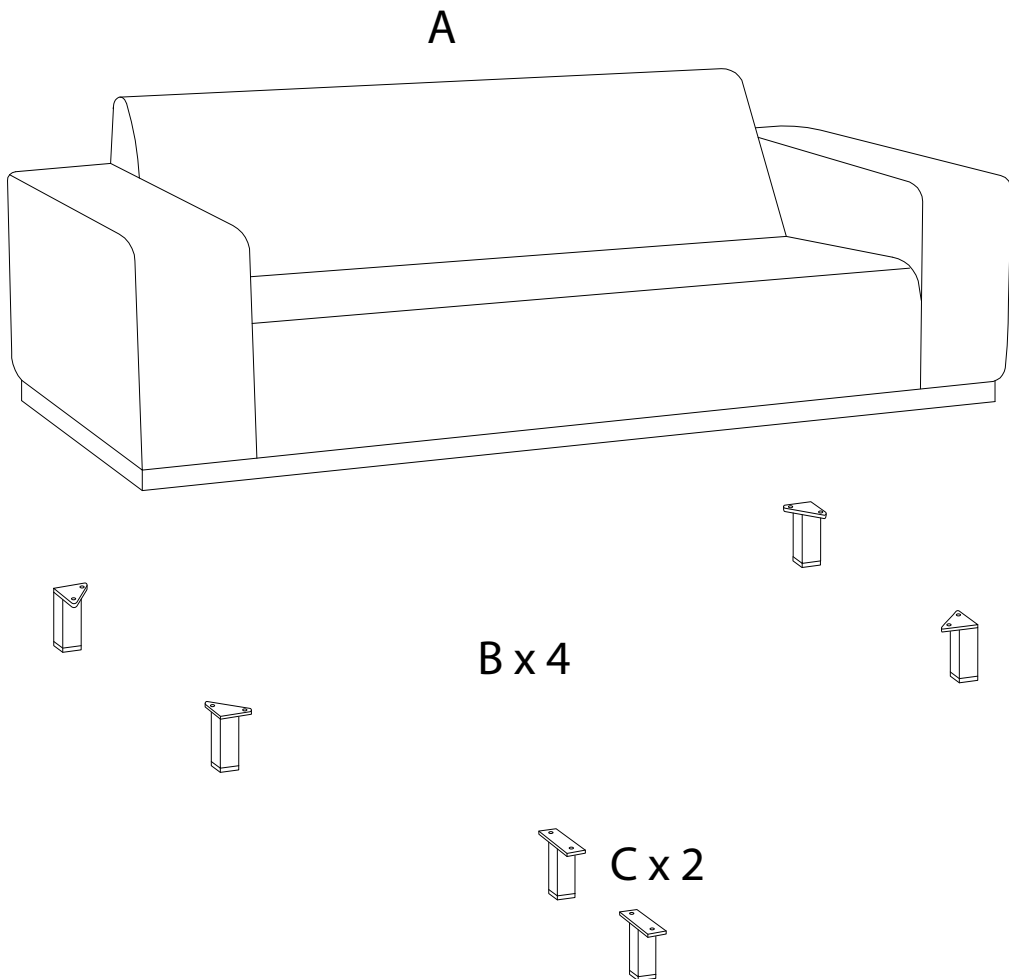


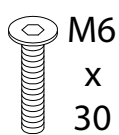
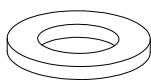
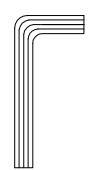
An icon showing an L-shaped metal bracket inside a circle, and a power drill with a diagonal line through it, indicating that a power drill should not be used for this step.	A warning triangle icon with an exclamation mark inside.	A clock icon showing approximately 15 minutes.
An icon showing a rectangular cushion on a textured surface inside a circle, and a screwdriver with a diagonal line through it, indicating that a screwdriver should not be used for this step.	A warning triangle icon with an exclamation mark inside.	An icon of a person, representing the number of people required for the step.

15'

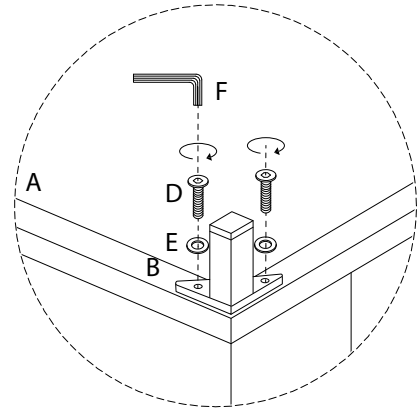
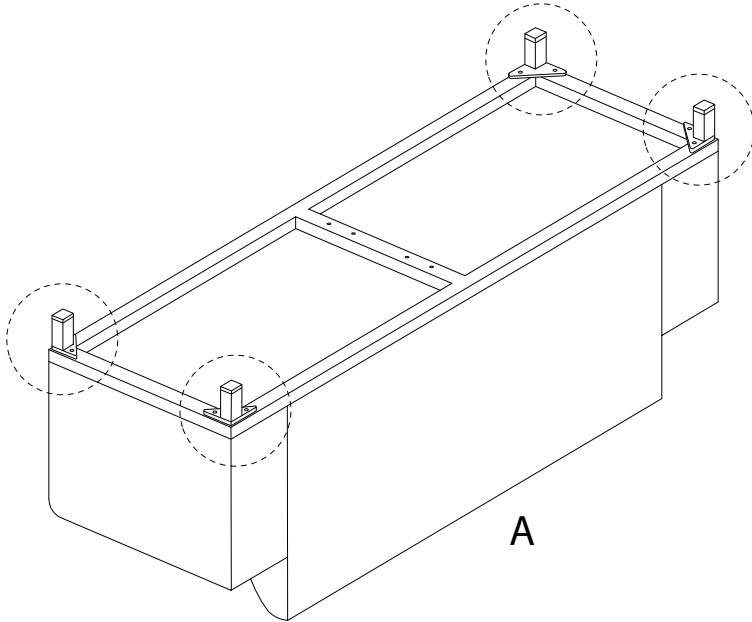
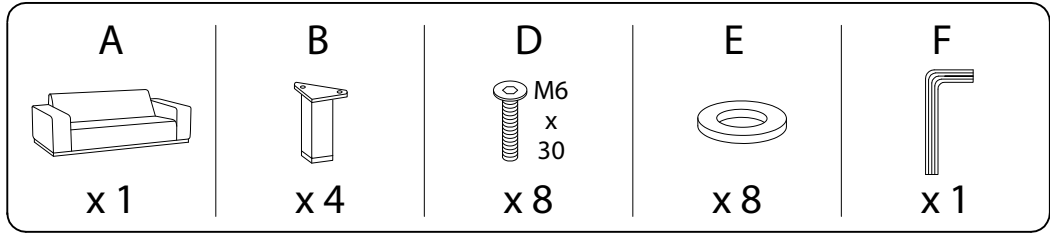
2

<p><b>A</b></p>  <p><b>x 1</b></p>	<p><b>B</b></p>  <p><b>x 4</b></p>	<p><b>C</b></p>  <p><b>x 2</b></p>
---	---	---



<p><b>D</b></p>  <p><b>x 12</b></p>	<p><b>E</b></p>  <p><b>x 12</b></p>	<p><b>F</b></p>  <p><b>x 1</b></p>
--	--	---

1



2

