

DENON®

PMA-900HNE

Integrated Network Amplifier

# Quick start guide

# Before you begin

## What's in the box

---

Quick start guide



Power cord



Safety Instructions



Remote control  
(RC-1246)



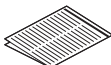
Warranty  
(for North America  
model only)



2× R03/AAA batteries



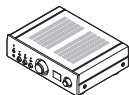
Notes on radio



External antennas  
for Bluetooth®/Wi-Fi®  
connectivity



Network Integrated  
Amplifier



## Required for setup

---

Speakers



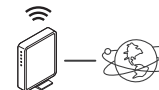
Speaker cables



Mobile device



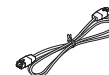
Wi-Fi Router and  
Internet connection



## Optional

---

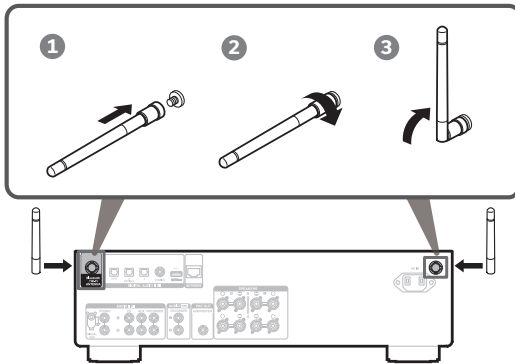
Ethernet cable



# Setup

## 1 Connect the antennas

- 1 Place the antenna squarely over the antenna terminal in the upper-left or upper-right corner of the rear panel.
- 2 Turn the antenna clockwise until it is fully connected. Do not over tighten.
- 3 Rotate the antenna upwards for the best possible reception.

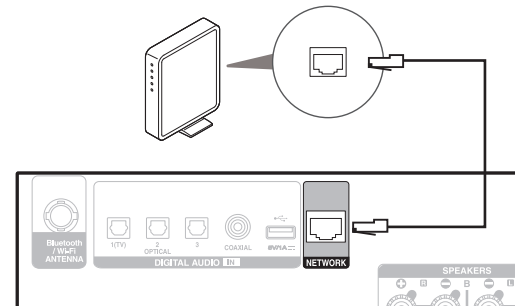


### NOTE

The antennas are required for both Bluetooth and Wi-Fi functions.

### Optional

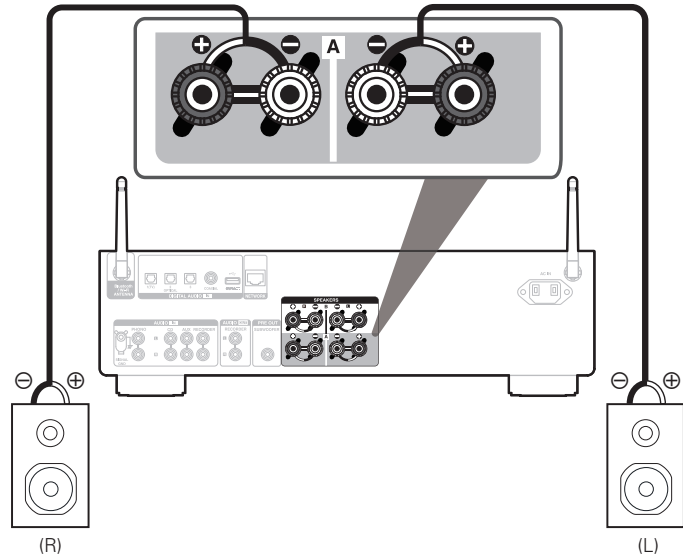
If you are connecting PMA-900HNE to a wired network, connect an Ethernet cable (not included) between the amplifier and your router. Do not connect the Ethernet cable if you are connecting the amplifier to a wireless network.



# 2

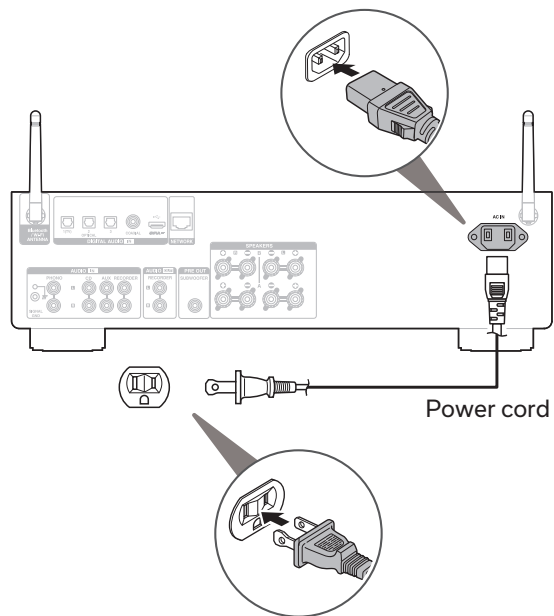
## Connect your speakers

Connect your speaker cables between the PMA-900HNE and your speakers.

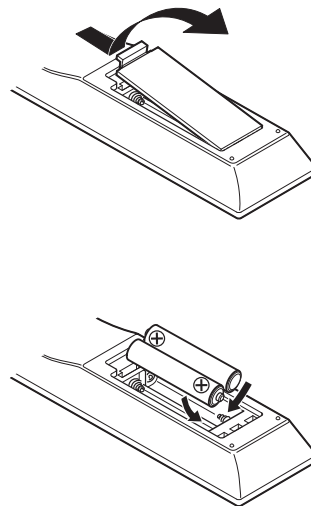


### 3 Connect to power

Connect the power cable between the PMA-900HNE and a wall outlet.



### 4 Install batteries in the remote control



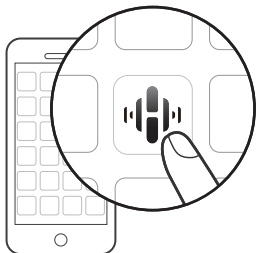
- Batteries can be taken out in reversed order.

## 5 Use the HEOS app to complete PMA-900HNE setup

- 1 Go to the Apple App Store, Google Play or Amazon App Store and search for "HEOS" to download and install.




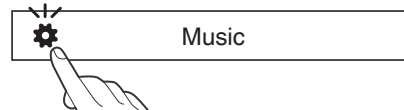
- 2 Launch the HEOS app and follow the instructions in the app.



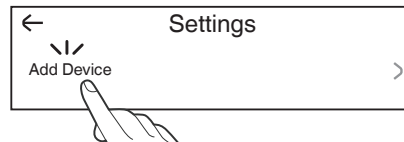
## 6 Add device

If you already have the HEOS app and have setup at least one HEOS built-in device, please follow the steps below to add the PMA-900HNE to your wireless network.

- 1 Select the Settings  icon in the upper-left corner of the main "Music" menu to display the Settings menu.



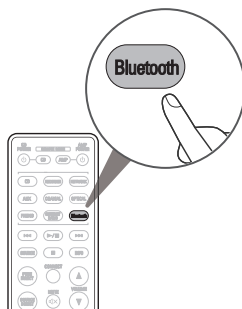
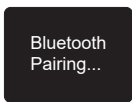
- 2 Select "Add Device" from the HEOS app's Settings menu and follow the instructions:



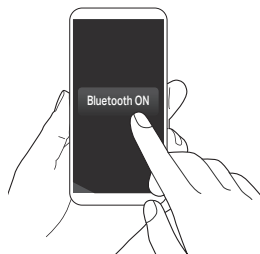
# Playing music - Bluetooth

## 1 Press Bluetooth to select Bluetooth.

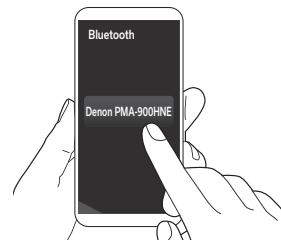
When you use it for the first time, the amplifier automatically enters pairing mode and "Bluetooth Pairing..." appears on the display.



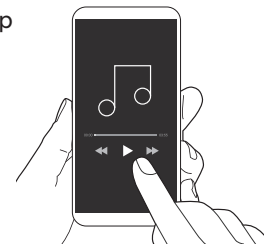
## 2 Activate Bluetooth on your mobile device.



## 3 Select "Denon PMA-900HNE" from the Bluetooth device list.



## 4 Play music using any app on your device.



- To pair with other Bluetooth devices, press and hold Bluetooth on the remote control until "Bluetooth Pairing..." is displayed on the unit.

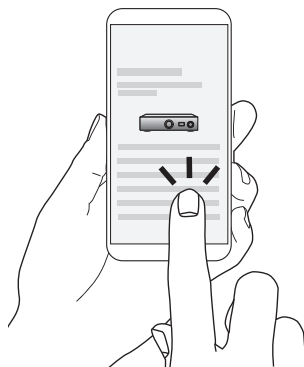
# Owner's manual

Refer to the online manual for other functions information and operation procedure details.

[manuals.denon.com/PMA900HNE/NA/EN/](http://manuals.denon.com/PMA900HNE/NA/EN/)



Online manual



For more information, visit [www.denon.com](http://www.denon.com)



## Trademark information



The Bluetooth® word mark and logos are registered trademarks owned by the Bluetooth SIG, Inc. and any use of such marks by D&M Holdings Inc. is under license. Other trademarks and trade names are those of their respective owners.



The Wi-Fi CERTIFIED logo is a registered trademark of the Wi-Fi Alliance. Wi-Fi Certification provides assurance that the device has passed the interoperability test conducted by the Wi-Fi Alliance, a group that certifies interoperability among wireless LAN devices.

**DENON®**

[www.denon.com](http://www.denon.com)

Printed in Vietnam 5411 11959 00AD  
© 2022 Sound United. All Rights Reserved.