

380

650

638

180

368

174

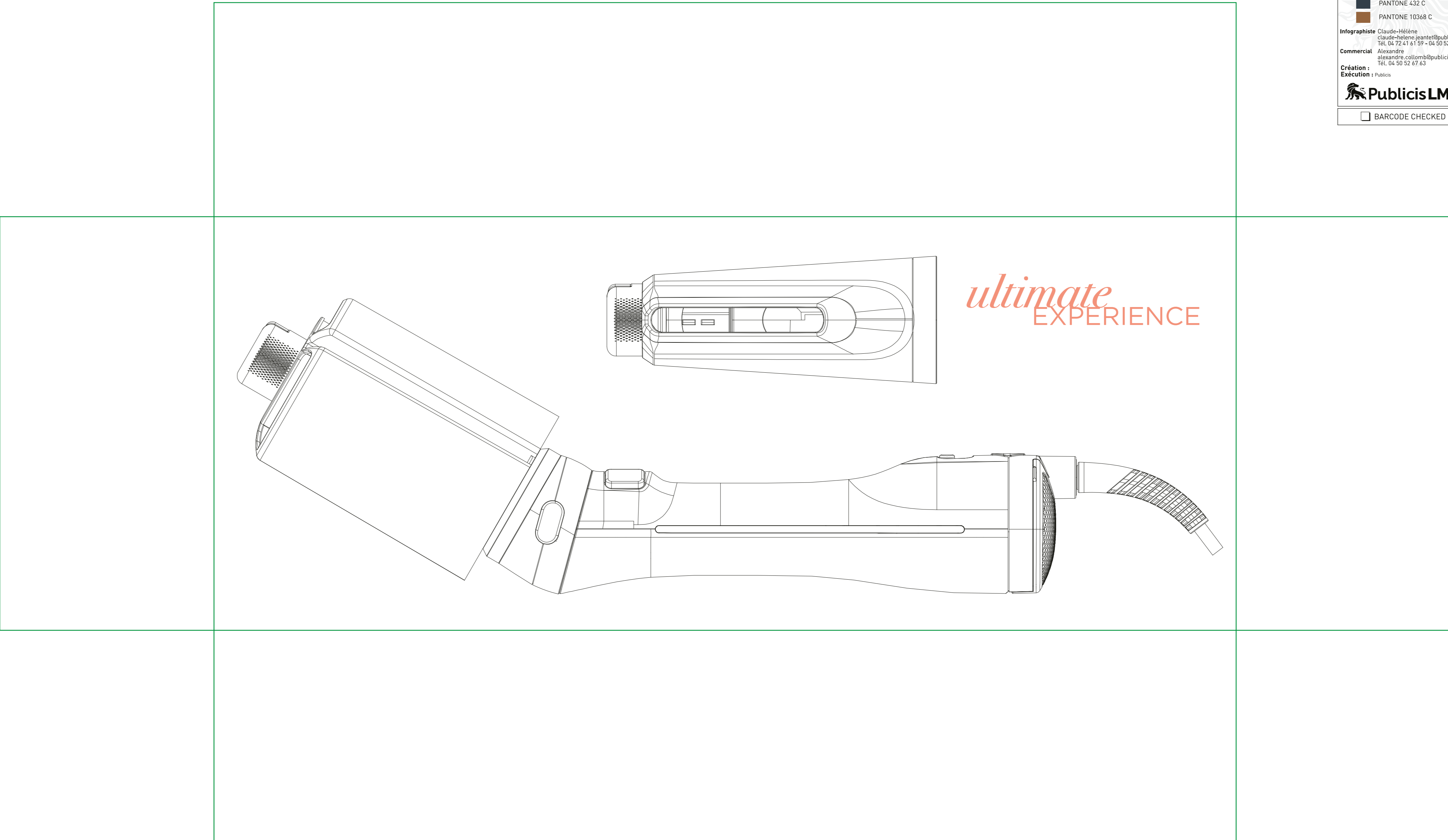
97

444

88mm

438mm

170mm



05/11/2021 - RS

CLIENT: ROWENTA
 GAME: ULTIMATE EXPERIENCE
 DESIGN: FRACKING
 PRODUCT: BRUSH ACTIV' ULTIMATE CARE
 EMBELLE: 1:1

■ QUADRI
 ■ AFISSA RUSTIC COPPER
 ■ PANTONE 432 D
 ■ PANTONE 1038 C

Info@publicis.com
 02 92 21 91 00
 02 92 21 91 00

Comercial: francesca.rossi@publicis.it
 02 92 21 91 00

Creative: francesca.rossi@publicis.it
 02 92 21 91 00

PublicisLMA

BARCODE CHECKED



09/11/2021 - R3
 CLIENT : ROWENTA
 GAMME : ULTIMATE EXPERIENCE
 DOSSIER : PACKAGING
 PRODUIT : BRUSH ACTIV' ULTIMATE CARE
 ECHELLE : 1:1
 EMBOSSEMENT
 VERNIS
 Infographie : Claude-Hélène
 Claude-helene.pantel@publicis.fr
 (+33) 04 72 41 61 59 - 04 50 52 48 70
 Commercial : Alexandre
 alexandre.colonna@publicis.fr
 (+33) 04 50 52 47 63
 Création : Publicis
 Execution : Publicis
 PublicisLMA