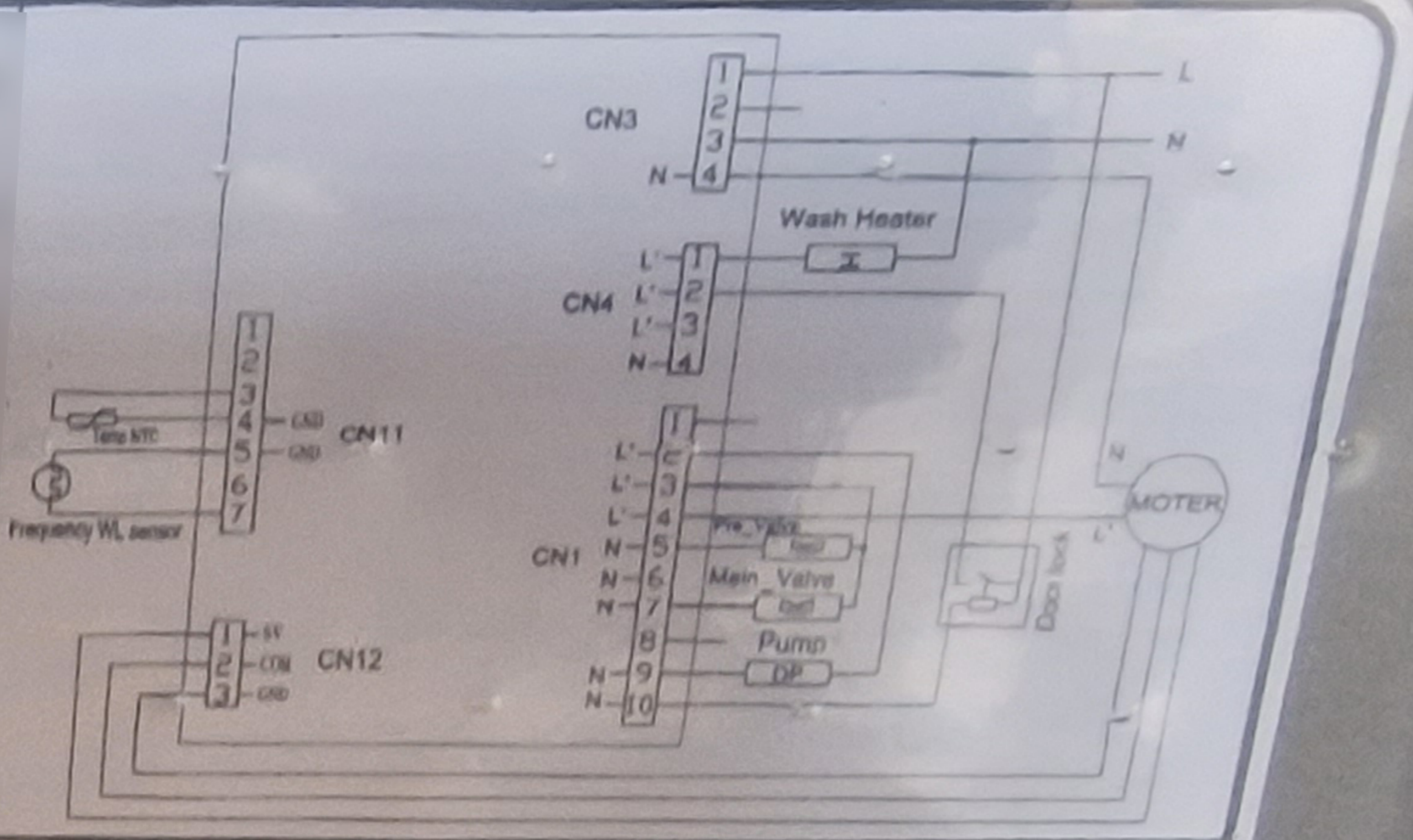


**WARNING**  
Read the instructions carefully before using the appliance.  
Do not touch the heating elements or the motor.  
Do not use the appliance if it is damaged or if the power cord is frayed.  
Do not use the appliance if the door is not closed properly.  
Do not use the appliance if the water level is too low.  
Do not use the appliance if the water is too hot.  
Do not use the appliance if the water is too cold.  
Do not use the appliance if the water is too hard.  
Do not use the appliance if the water is too soft.  
Do not use the appliance if the water is too salty.  
Do not use the appliance if the water is too acidic.  
Do not use the appliance if the water is too alkaline.  
Do not use the appliance if the water is too hard.  
Do not use the appliance if the water is too soft.  
Do not use the appliance if the water is too salty.  
Do not use the appliance if the water is too acidic.  
Do not use the appliance if the water is too alkaline.



**WARNING**  
Read the instructions carefully before using the appliance.  
Do not touch the heating elements or the motor.  
Do not use the appliance if it is damaged or if the power cord is frayed.  
Do not use the appliance if the door is not closed properly.  
Do not use the appliance if the water level is too low.  
Do not use the appliance if the water is too hot.  
Do not use the appliance if the water is too cold.  
Do not use the appliance if the water is too hard.  
Do not use the appliance if the water is too soft.  
Do not use the appliance if the water is too salty.  
Do not use the appliance if the water is too acidic.  
Do not use the appliance if the water is too alkaline.