



**Under cabinet range hood
7227.0005 - 7227.0010**

User Manual
Gebruikershandleiding
Gebrauchsanweisung
Le mode d'emploi



CONTENT

ENGLISH

Important Safety Notice	4
INSTALLATION	6
Tools needed	6
Parts supplied	6
Venting requirements	7
Mount heights & clearance	8
Calculating vent system length	9
Venting methods.....	9
Electrical requirements.....	10
Preparation	11
Installation	12
Range hood operations.....	14
USE AND CARE	15
Troubleshooting.....	15
Use and care information	16
Specifications	16
Measurements & diagrams.....	17
MAINTENANCE	21
WARRANTY	23
Disclaimer	24
Contact us.....	24

NEDERLANDS

Belangrijke veiligheidsinformatie	25
INSTALLATIE	27
Benodigd gereedschap	27
Meegeleverde onderdelen	27
Ventilatievereisten	28
Montagehoogten en speling.....	29
Berekenen van de lengte van het ventilatiesysteem	30
Ventilatiemethoden	30
Elektrische voorschriften	31
Vorbereiding	32
Installatie	33
Afzuigkapbedieningen	35
GEBRUIK EN ONDERHOUD	36
Problemen oplossen	36
Gebruiks en onderhoudsinformatie.....	37
Specificaties	37
Afmetingen & diagrammen	38
ONDERHOUD	42
GARANTIE	44
Disclaimer	45
Contact met ons opnemen	45

DEUTSCH

Wichtiger Sicherheitshinweis	46
INSTALLATION	48
Benötigte Werkzeuge.....	48
Gelieferte Teile.....	48
Abzugsanforderungen.....	49
Montagehöhen & Freiraum	50
Berechnung der Länge des Lüftungssystems	51
Lüftungsmethoden	51
Elektrische Anforderungen	52
Vorbereitung	53
Installation	54
Bedienung der Dunstabzugshaube	56
GEBRAUCH UND PFLEGE.....	57
Fehlerbehebung.....	57
Gebrauchs- und Pflegehinweise	58
Technische Daten.....	58
Abmessungen & Diagramme	59
WARTUNG.....	63
GARANTIE	65
Haftungsausschluss.....	66
Kontaktieren Sie uns	66

FRANÇAIS

Avis de sécurité important.....	67
INSTALLATION	69
Outils nécessaires	69
Pièces fournies.....	69
Exigences de ventilation	70
Hauteurs de montage et dégagement	71
Calcul de la longueur du système d'évacuation	72
Méthodes de ventilation	72
Exigences électriques.....	73
Préparation	74
Installation	75
Opérations de la hotte	77
UTILISATION ET ENTRETIEN	78
Dépannage.....	78
Informations d'utilisation et d'entretien.....	79
Caractéristiques	79
Mesures et diagrammes	80
MAINTENANCE	84
GARANTIE	86
Avertissement.....	87
Contactez-nous	87

Important Safety Notice

Read all Instructions before Installing and operating this appliance

- The installation in this manual is intended for qualified installers, service technicians or persons with similar qualified background. Installation and electrical wiring must be done by qualified professionals and in accordance with all applicable codes and standards, including fire-rated construction.
- DO NOT attempt to install this appliance yourself. Injury could result from installing the unit due to lack of appropriate electrical and technical background.
- Range hood may have very sharp edges; please wear protective gloves if it is necessary to remove any parts for installing, cleaning or servicing.
- Activating any switch ON before completing installation may cause ignition or an explosion.
- Due to the size and weight of this range hood, two people installation is recommended.

To reduce the risk of fire, electric shock, or injury to persons:

- For general ventilating use only. DO NOT use to exhaust hazardous or explosive materials and vapors.
- The combustion air flow needed for safe operation of fuel-burning equipment may be affected by this unit's operation. Follow the heating equipment manufacturer's guideline and safety standards such as those published by the National Fire Protection Association (NFPA), and the American Society of Heating, Refrigeration and Air Conditioning Engineers (ASHRAE), and the local code authorities.
- Before servicing or cleaning unit, switch power OFF at service panel and lock service panel to prevent power from being switched ON accidentally.
- Clean grease laden surfaces frequently. To reduce the risk of fire and to disperse air properly, make sure to vent air outside. DO NOT vent exhaust into spaces between walls, crawl spaces, ceiling, attics or garages.
- Ducted fans MUST always be vented to the outdoors.
- Use only metal ductwork and this unit MUST be grounded.
- Sufficient air is needed for proper combustion and exhausting of gases through the duct to prevent back drafting.
- When cutting or drilling into wall or ceiling, be careful not to damage electrical wiring or other hidden utilities.
- All electrical wiring must be properly installed, insulated and grounded.
- Old duct work should be cleaned or replaced if necessary to avoid the possibility of a grease fire.
- Check all joints on duct work to insure proper connection and all joints should be properly taped.
- Use this unit only in the manner intended by the manufacturer. If you have questions, contact the vendor.

To reduce the risk of a stove top grease fire:

- Keep all fan, baffle, spaces, filter, grease tunnel, oil container and grease-laden surfaces clean. Grease should not be allowed to accumulate on fan, baffle, spaces, filter, grease tunnel and oil container.
- Always turn range hood ON when cooking at high heat or when cooking flaming foods.
- Use high settings on cooking range only when necessary.
- Never leave surface units unattended at high settings. Boil overs cause smoking and greasy spillovers that may ignite. Heat oils slowly on low or medium settings.
- Clean ventilating fan frequently.
- Always use appropriate cookware and utensils size.
- Always use cookware appropriate for the size of the surface element.

To reduce the risk of injury to persons in the event of a stove top grease fire:

- SMOTHER FLAMES with a close-fitting lid, cookie sheet, or metal tray, then turn OFF the burner. BE CAREFUL TO PREVENT BURNS. NEVER PICK UP A FLAMING PAN—you may be burned. KEEP FLAMMABLE OR COMBUSTIBLE MATERIAL AWAY FROM FLAMES. If the flames DO NOT go out immediately, EVACUATE AND CALL THE FIRE DEPARTMENT or dial your local emergency service immediately.
- DO NOT USE WATER, including wet dishcloths or towels — a violent steam explosion will result.
- Use an extinguisher ONLY if:
- You know you have a Class A, B, C extinguisher, and you already know how to operate it.
- The fire is small and contained in the area where it is started.
- The fire department is being called.
- You can fight the fire with your back to an exit.

To reduce the risk of injury to persons in the event of a gas leak:

- Extinguish any open flame.
- DO NOT turn on the range hood fan or any type of ventilator.
- DO NOT turn on the lights or any type of appliance.
- Open all doors and windows to disperse the gas. If you still smell gas, call the gas company and fire department, or dial your local emergency service immediately.

Your safety and the safety of others is very important. We have provided many important safety messages in this manual and on your appliance. Always read and obey all safety messages. All safety messages will tell you what the potential hazard is, tell you how to reduce the chance of injury, and tell you what can happen if the instructions are not followed.



WARNING

This is the safety alert symbol. This symbol alerts you to potential hazards that can hurt you and others. All safety messages will follow the safety alert symbol and the word “WARNING”.

The manufacturer and/or distributor/reseller declines all responsibility in the event of failure to observe the instructions given here for installation, maintenance and suitable use of the product. The manufacturer and/or distributor/reseller further declines all responsibility for injury due to negligence and the warranty of the unit automatically expires due to improper maintenance.

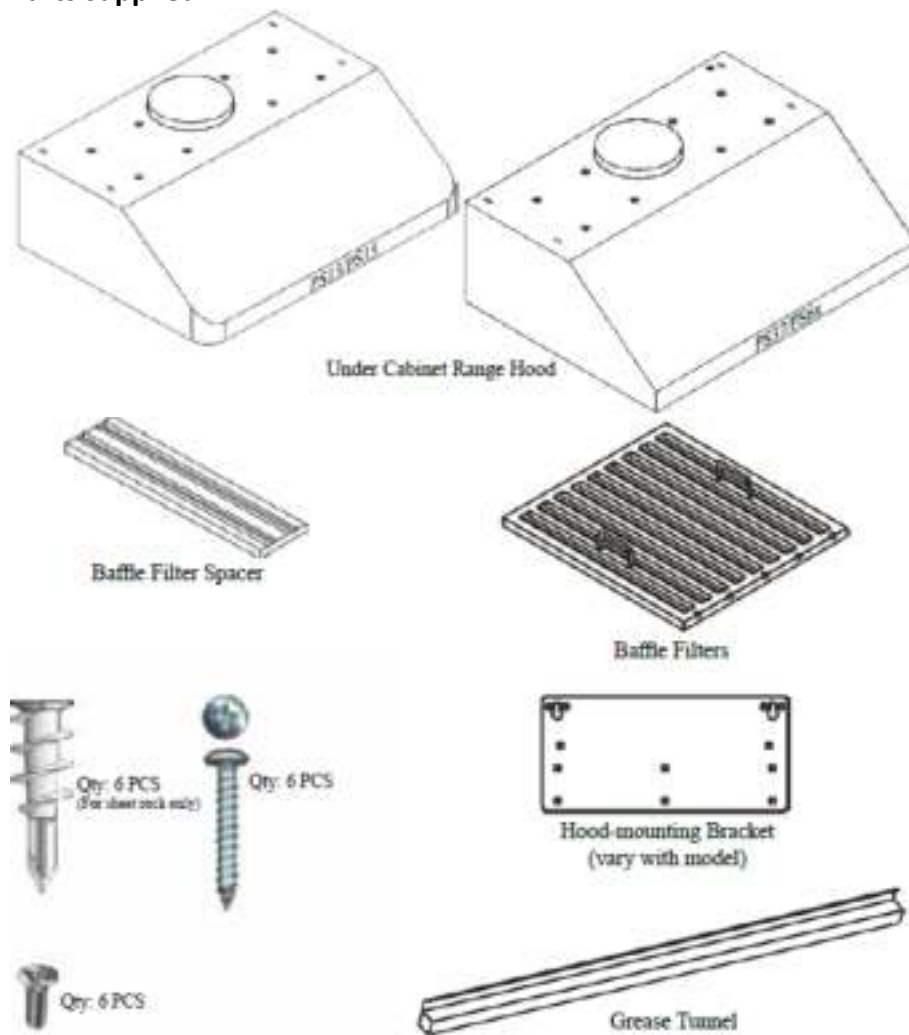
The manufacturer and/or distributor/reseller will not be held responsible for any damages to personal property or real estate or any bodily injuries whether caused directly or indirectly by the range hood.

INSTALLATION

Tools needed



Parts supplied



Venting requirements

- Vent system must terminate to the outside (roof or side wall).
- DO NOT terminate the vent system in an attic or other enclosed area.
- DO NOT use 4" (10.2 cm) laundry-type wall caps.
- Use metal/aluminum vent only. Rigid metal/ aluminum vent is recommended.
- DO NOT use plastic vent.
- Always keep the duct clean to ensure proper airflow.
- Calculate the following figures before installation:
 1. Distance from the floor to the ceiling.
 2. Distance between the floor to the countertop/stove (recommend* 27" to 30").
 3. Distance between the countertop/stove to the range hood.
 4. Height of hood and duct cover.

For the most efficient & quiet operation:

- A distance of 27" to 30" is recommended* between stove top and the bottom of range hood.
- It is recommended that the range hood be vented vertically through the roof through 8" (20.3 cm) or bigger round metal/aluminum vent work.
- The size of the vent should be uniform.
- Use no more than three 90° elbows.
- Make sure there is a minimum of 24" (61 cm) of straight vent between the elbows if more than one elbow is used.
- DO NOT install two elbows together.
- The length of vent system and number of elbows should be kept to a minimum to provide efficient performance.
- The vent system must have a damper. If roof or wall cap has a damper, DO NOT use damper (if supplied) on top of the range hood.
- Use silver tape or duct tape to seal all joints in the vent system.
- Use caulking to seal exterior wall or roof opening around the cap.

* Due to different ceiling height configurations, recommended height may not be applicable.

Mount heights & clearance

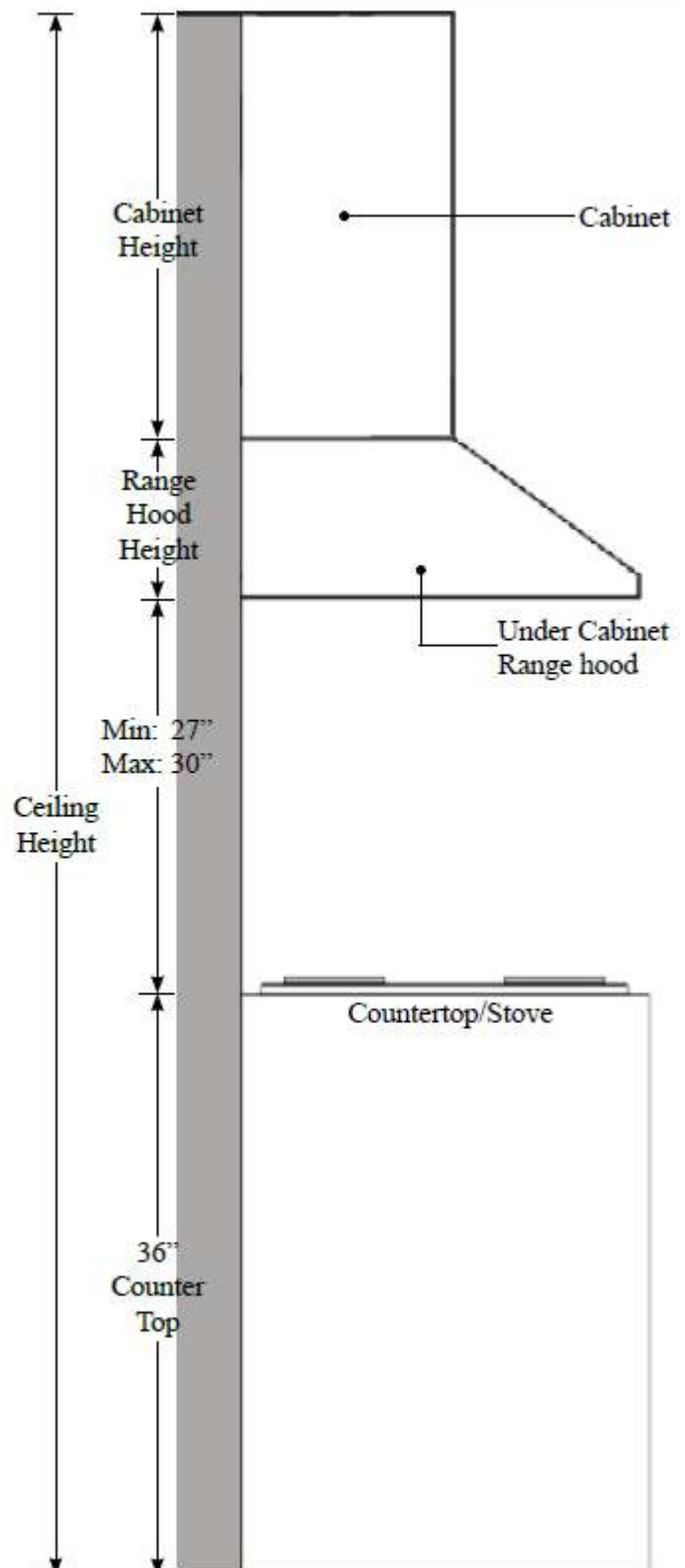
IMPORTANT:

- A minimum of 8" round (standard for this range hood) or 3-1/4 x 10" rectangular duct (purchased separately) must be used to maintain maximum airflow efficiency.
- Always use rigid type metal/aluminum ducts if available to maximize airflow when connecting to provided duct.
- Please use *Duct Run Calculation* below to compute total available duct run when using elbows, transitions and caps.
- ALWAYS, when possible, reduce the number or transitions and turns. If long duct run is required, increase duct size from 8" to 10". If a reducer is used, install a long reducer instead of a pancake reducer. Reducing duct size will restrict airflow and decrease airflow, thus reduce duct size as far away from opening as possible.
- If turns or transitions are required: Install as far away from opening and as far apart, between 2, as possible.
- Minimum mount height between stove top to hood bottom should be no less than 27-inch*.
- Maximum mount height between stove top to hood bottom should be no higher than 30-inch*.
- It is important to install the hood at the proper mounting height. Hoods mounted too low could result in heat damage and fire hazard; while hoods mounted too high will be hard to reach and will lose its performance and efficiency.
- If available, also refer to stove top manufacturer's height clearance requirements and recommended hood mounting height above range.

* Due to different ceiling height configurations, recommended height may not be applicable.

Minimum Duct Size:

- Round - 8" minimum
- Rectangular - 3-1/4 x 10" minimum (requires a 8" to 3-1/4x10" adaptor, not supplied)



Calculating vent system length

To calculate the length of the system you need, deduct the equivalent feet for each vent piece used in the system from the recommended maximum duct run.

Duct Run Calculation	
Recommended maximum run	
8" or 3-1/4 x 10" duct	50 ft
Vent piece deduction	
Each 90° elbow used	9 ft
Each 45° elbow used	5 ft
Each 7" to 3/14 x 10" transition used	7 ft
Side wall cap with damper	0 ft
Roof cap	0 ft

Duct Run Calculation example:

One roof cap, two 90° elbow, and one 45° elbow used:

$0\text{ft} + 9\text{ft} + 9\text{ft} + 5\text{ft} = 23\text{ft}$ used.

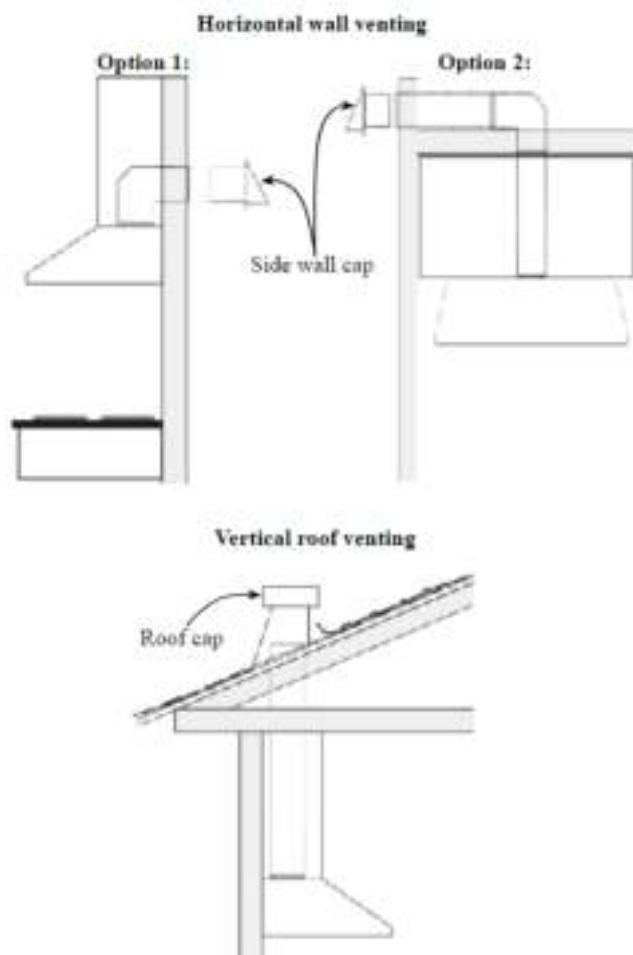
Deduct 23ft from 50ft, 27ft maximum available for straight duct run.

Venting methods

- This range hood is factory set for venting through the roof or wall.
- Vent work can terminate either through the roof or wall. To vent through a wall, a 90° elbow is needed.

IMPORTANT:

- NEVER exhaust air or terminate duct work into spaces between walls, crawl spaces, ceiling, attics or garages. All exhaust must be ducted to the outside.
- Use metal/aluminum duct work only.
- Fasten all connections with sheet metal screws and tape all joints with certified Silver Tape or Duct Tape.
- Use caulking to seal exterior wall or roof opening around the cap.



Electrical requirements

IMPORTANT: Observe all governing codes and ordinances.

(Please consult with a qualified electrician for 220-Volt 50 Hz voltage)

It is the customer's responsibility:

- To contact a qualified electrical installer.
- To assure that the electrical installation is adequate and in conformance with National Electrical Code, ANSI/NFPA 70 — latest edition*, or CSA Standards C22. 1-94, Canadian Electrical Code, Part 1 and C22. 2 No. 0-M91 - latest edition** and all local codes and ordinances.

If codes permit and a separate ground wire is used, it is recommended that a qualified electrician determine that the ground path is adequate.

A 120-Volt, 60 Hz, AC-only, fused electrical supply is required on a separate 15-amp circuit, fused on both sides of the line.

DO NOT ground to a gas pipe.

Check with a qualified electrician if you are not sure that the range hood is properly grounded.

DO NOT have a fuse in the neutral or ground circuit.

IMPORTANT: Save this Installation Guide for electrical inspector's use.

The range hood must be connected with copper wire/plug only.

The range hood should be connected directly to the fused disconnect (or circuit breaker) box through flexible armored or non-metallic sheathed copper cable. A U.L. - or C.S.A. - listed strain relief must be provided at each end of the power supply cable.

Wire sizes (copper wire only) and connections must conform with the rating of the appliance as specified on the model/serial rating label. Wire sizes must conform to the requirements of the National Electrical Code ANSI/NFPA 70 — latest edition*, or CSA Standards C22. 1-94, Canadian Electrical Code Part 1 and C22. 2 No. 0-M91 - latest edition** and all local codes and ordinances. A U.L. - or C.S.A. - listed conduit connector must be provided at each end of the power supply cable (at the range hood and at the junction box).

Copies of the standards listed may be obtained from:

* National Fire Protection Association

Batterymarch Park

Quincy, Massachusetts 02269

** CSA International

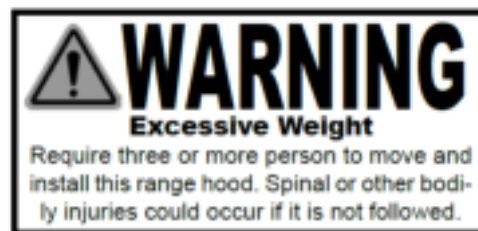
8501 East Pleasant Valley Road

Cleveland, Ohio 44131-5575

Preparation

Advanced Preparations:

- Be familiar with the controls of the range hood by reading through *Range Hood Operations*, Page 14.
- Place the range hood on a flat, stable surface. Connect the range hood to a designated standard outlet (please refer the product label for the suitable voltage of this unit) and turn on the range hood. Verify all operations of the range hood by referring to *Range Hood Operations*, Page 14.
- Place all supplied parts and required hardware on a flat, stable surface and verify the existence of all supplied parts listed on Page 6.
- Carefully remove the white plastic protective coat from the range hood.



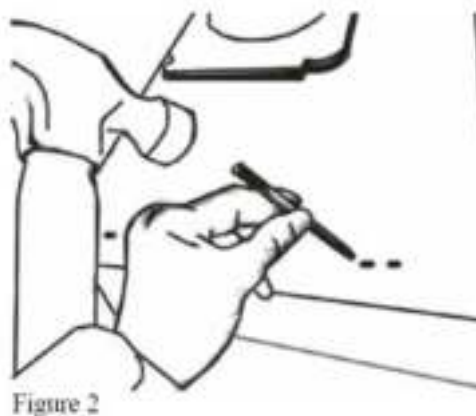
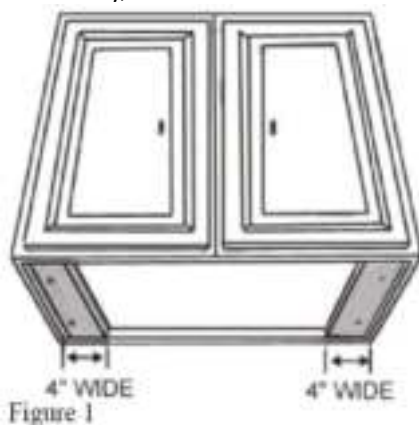
Preparations:

NOTE: To avoid damage to your hood, prevent debris from entering the vent opening.

- Decide the location of the venting pipe from the hood to the outside. Refer to *Venting Methods* on Page 9.
- A straight, short vent run will allow the hood to perform more efficiently.
- Try to avoid as many transitions, elbows, and long run as possible. This may reduce the performance of the hood.
- **IMPORTANT:** Peel white plastic protective coat off the hood, if any.
- Use silver tape or duct tape to seal joints between pipe sections.
- For installing under the cabinet with recessed bottom, attach 4-inch wide wood filler strips (not provided) on each side. Refer to Figure 1.
- Using references in *Measurements and Diagrams* on Page 17, create access opening for electrical wires and hood exhaust under the cabinet.

CAUTION: If moving the cooking range is necessary to install the hood, turn OFF the power on an electric range at the main electrical box. SHUT OFF THE GAS BEFORE MOVING A GAS RANGE.

- Puncture the knockout holes (for mounting under the cabinet) on the hood as shown in Figure 2.
- If necessary, attach two rubber stands with 3M adhesive tapes to the back corners of the hood.



Installation

Installations (refer to Page 4 for parts): Measure the distance between stove top and the bottom of range hood. A distance of 27" to 30" is recommended*.

*Due to different ceiling height configurations, recommended height may not be applicable.

1. You have **two ways** (A or B) to mount this range hood:

A. Proceed if you would like to mount this range hood without using the hood-mounting bracket.

1. Using references in *Height & Clearance* on Page 8 and *Mea Measurements and Diagrams* on Page 17, center the hood beneath the cabinet and flush with the front of the cabinet.
2. Draw electrical wires through cabinet access opening and center the hood beneath the cabinet.
3. From inside of the hood, place screws into the exact center of each knockout hole and secure to cabinet bottom. Finish tightening all screws until secure. Be careful when using electrical screwdriver, damage to the range hood may occur. Skip Part B below and proceed to Step 2.

CAUTION: Make certain the range hood is secure before releasing!

B. Proceed if you would like to mount this range hood using the provided hood-mounting bracket.

1. Using references in *Height & Clearance* on Page 8 and *Measurements and Diagrams* on Page 17, mark the leveling point of the hood. Position two mounting screws on the wall, leaving 1/8" space away from the wall. Mounting the hood on wall studs or lumbers is highly recommended.
2. Attach the hood-mounting bracket to the back of the hood with six screws as shown in Figure 3.
3. Puncture the knockout wire access hole at the back of the hood and draw the electrical wires through as shown in Figure 4.
4. Align hood-mounting bracket to the screws on the wall and hook hood into place as shown in Figure 5. Tighten screws to secure hood to the wall.

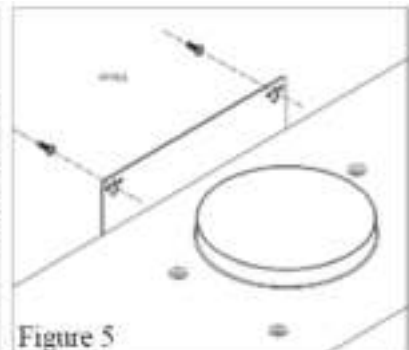
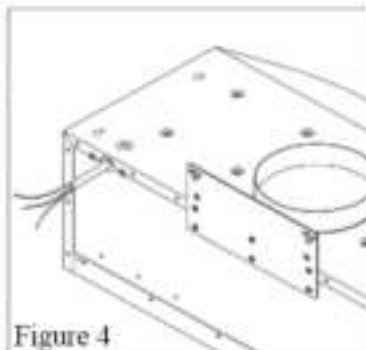
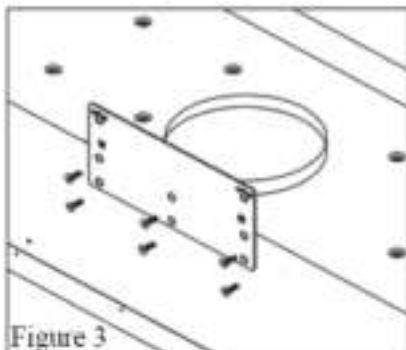
CAUTION: Make certain the range hood is secure before releasing!

2. For safety purpose, pre-drilled mounting holes are provided through the back of the hood. For a more secure installation, use as many mounting holes as needed to secure from the inside of hood.

3. Use 8" round steel pipe (follow building codes in your area) to connect the exhaust on the hood to the ductwork above. Use silver tape or duct tape to make all joints secure and air tight. Refer to Figure 6.

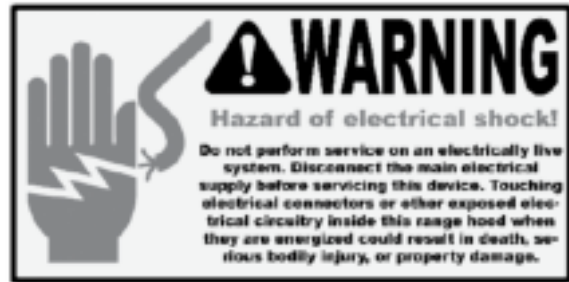
SAFETY WARNING: Risk of electrical shock. this range hood must be properly grounded. Make sure this is done by qualified electrician in accordance with all applicable national and local electrical codes. Before connecting wires, switch power off at service panel and lock service panel to prevent power from being switched on accidentally.

4. Connect the range hood to a designated standard outlet or cut off the plug and connect three wires (black, white and green) to house wires and cap with wire connectors.

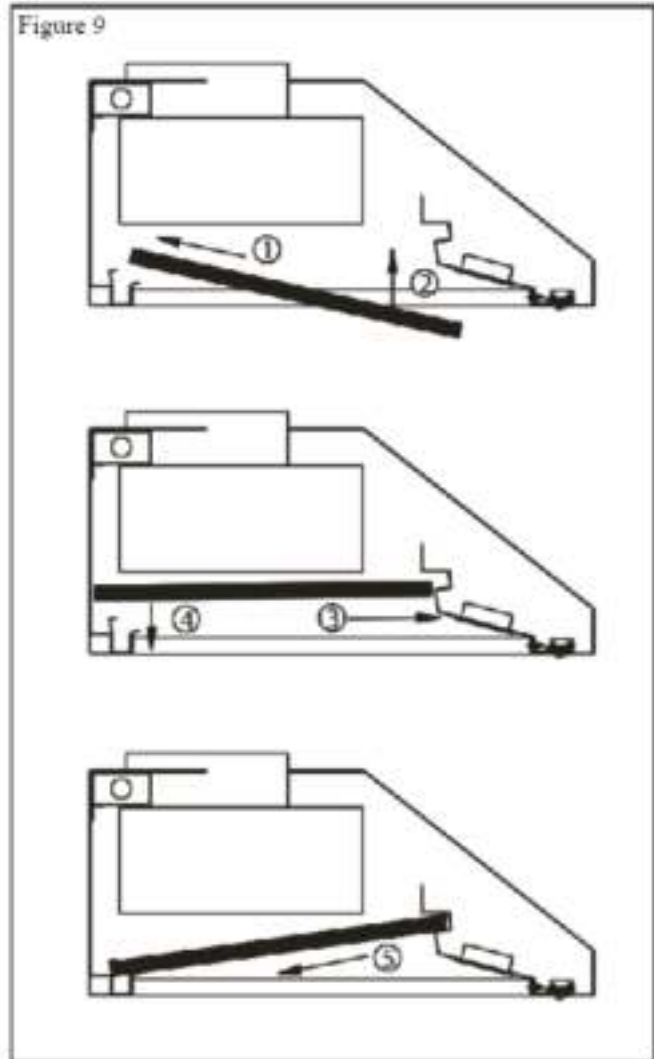
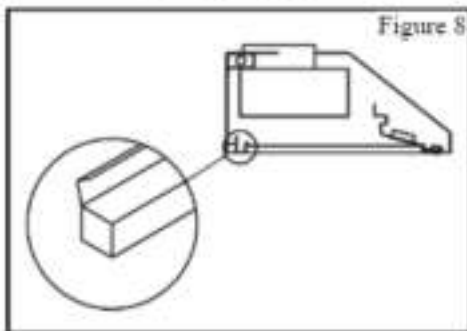
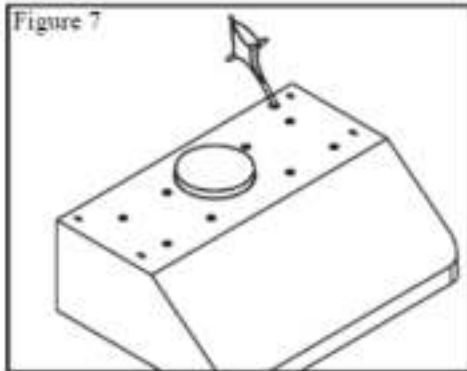
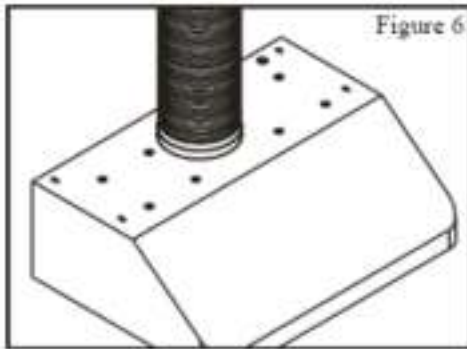


5. Store excess wires in the wiring box.

6. Drop oil tunnel into recess support near rear of hood. Refer to Figure 8.

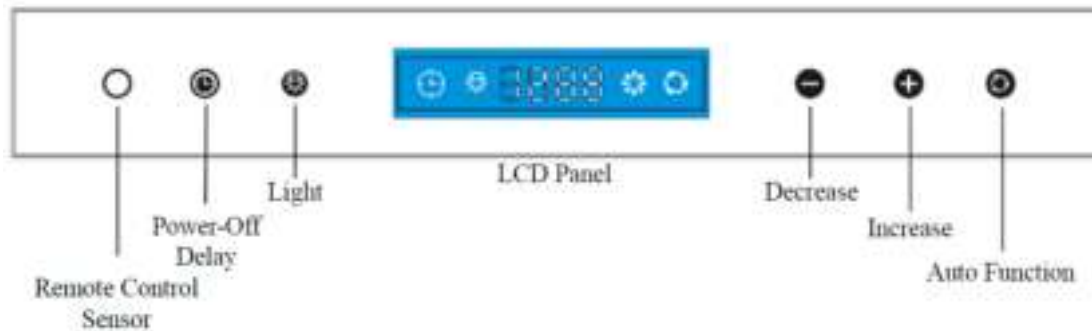


7. To install baffle filters and stainless spacer(s), refer to figure 9 for the following five steps:
1. Angle baffle filter toward back of hood.
 2. Push baffle filter up until almost level.
 3. Slide forward into recess behind the front of hood.
 4. Lower baffle filter.
 5. Slide back until it fits into resting positions.
8. Repeat Step 7 to install all baffle filters and stainless spacers.
9. Turn power ON in control panel. Check all lights and fan operations.
10. Make sure to leave this Installation Guide for the homeowner.



Range hood operations

Control Panel Layout and Buttons Configurations:



In addition to the remote control feature, this range hood is also equipped with a heat sensor that will self-calibrate in 5 seconds when the range hood is first electrically activated and beeps when self-calibration is done. To conserve energy, the LCD panel will turn off automatically after 5 seconds of inactivity.

Adjusting Heat Sensitive Auto Speed (HSAS) Function:

- Press *Auto Function* button to Turn On/Off the Auto Mode. The Auto Function Icon will appear in the LCD Panel when Auto Mode is On.
- While the range hood is off, press and hold *Auto Function* button to enter the temperature setting mode. Press *Increase* or *Decrease* button to adjust the comparison temperature value between the internal and external heat sensors from 7°F to 20°F. The temperature setting mode will exit automatically after 5 seconds of inactivity.
- While the range hood is off and Auto Function is activated, the blower will turn on to its highest speed automatically when the internal temperature is 4 times above the external temperature. Then it will adjust the speed level (between speed levels F4 to F1) automatically according to the detected temperature between the sensors (4 times to 1 time). The speed level can also be manually overwritten by press the *Increase* or *Decrease* button and Auto Function will reactivate after 2 minutes. The blower can ONLY be turned off MANUALLY or activate the delay off timer function.

Activating Normal Blower Function:

- While the range hood is off, press *Increase* or *Decrease* button to start the blower. Press *Increase* button to increase blower speed (F1 to F4) as indicated in LCD panel. The *Increase* button cycles blower settings from off (00), quiet speed (F1), low speed (F2), medium speed (F3) to high speed (F4).
- While the range hood is on and the blower is running, press *Decrease* button to decrease blower speed (F4 to F1) as indicated in LCD panel. The *Decrease* button cycle blower settings from high speed (F4), to medium speed (F3), low speed (F2), quiet speed (F1) to off (00).

Activating Light Function:

- Press Light button once to turn on the lights, and once again to turn off the lights.

CAUTION: DO NOT touch the lights until switched OFF and cooled.

Activating Power-Off Delay Function:

- While the range hood is on and the blower is running, press Power-Off Delay button to activate delay off timer and “Power-Off Delay” icon will appear in LCD panel. Adjust to desired period of delay off timer by pressing Increase or Decrease button (minimum 1 minute to maximum 15 minutes). Timer begins to countdown immediately, when it reaches 0, the blower will shut off.

Adjusting Clock Function:

- While the range hood is off, press Power-off Delay button once to enter the clock setting mode, press Increase or Decrease button to set the Hour. Press the Power-off Delay button again to set the Min. Press the Power-off Delay button again to exit the clock setting mode.

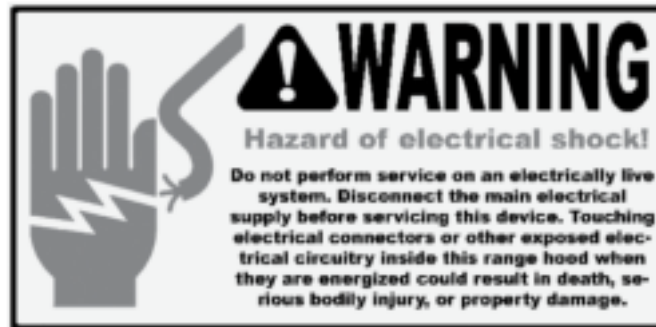
Remote Control Sensor:

- Remote control sensor receives infrared (IR) signal from the remote control. The maximum distance for IR data transmission is 3 meter (10 ft.) and requires direct line of sight. The transmission distance may vary depending on temperature and remote control battery condition.

Note: Light settings are independent from other settings (including power-off delay) and lights have to be manually turned on or off.

USE AND CARE

Troubleshooting



<p>If the range hood or halogen light does not operate after installation:</p>	<ul style="list-style-type: none"> • Check if the range hood has been plugged in, make sure that all power has been turned back ON, fused not blown and all electrical wiring are properly connected. • Swap out light assembly to working ones to determine whether it is caused by defective bulbs. See <i>Replacing the light bulbs</i> on Page 21/22.
<p>The range hood vibrates when the blower is on: The blower or fan seems weak:</p>	<ul style="list-style-type: none"> • The range hood might not have • Check that the duct sized used is at least 8" or 3-1/4 x 10". Range hood WILL NOT function efficiently with insufficient duct size. For example: 10" duct over 8" hole and loosely secured. • Check if duct is clogged or if damper unit (half-circular flapper) is not installed correctly or opening properly. A tight mesh on a side wall cap unit might also cause restriction to the air flow.
<p>The lights work but the blower is not spinning at all, is stuck or is rattling.</p>	<ul style="list-style-type: none"> • The blower might be jammed or scraping the bottom • due to shipping damage. Please contact us immediately.
<p>The hood is not venting out properly:</p>	<ul style="list-style-type: none"> • Make sure the distance between the stove top and the bottom of the hood is within* 27" and 30" in distance. *Due to different ceiling height configurations, recommended height may not be applicable. • Reduce the number of elbows and length of duct work. Check if all joints are properly connected, sealed, and taped. • Make sure the power is on high speed for heavy cooking.

Use and care information

Operations:

- Read and understand all instructions and warnings in this manual before operating the appliance. Save these instructions for future reference.
- Always leave safety grills and filters in place. Without these components, operating blowers could catch on to hair, fingers and loose clothing.
- NEVER dispose cigarette ashes, ignitable substances, or any foreign objects into blowers.
- NEVER leave cooking unattended. When frying, oil in the pan can easily overheat and catch fire. The risk of self-combustion is higher when the oil has been used several times.
- NEVER cook on “open” flames under the range hood. Check deep-fryers during use: Superheated oil may be flammable.

Cleaning:

- The saturation of greasy residue in the blower and filters may cause increased inflammability. Keep unit clean and free of grease and residue build-up at all times to prevent possible fires.
- Filters must be cleaned periodically and free from accumulation of cooking residue (see cleaning instructions on Page 21). Old and worn filters must be replaced immediately.
- DO NOT operate blowers when filters are removed. Never disassemble parts to clean without proper instructions. Disassembly is recommended to be performed by qualified personnel only. Read and understand all instructions and warnings in this manual before proceeding.

Specifications

Specifications ³ :	
Body Design	Seamless Stainless Steel, Satin Finish
Power Rating	220V/50Hz
General Input Power	240W + (# of Light x Wattage)
Motor Input Power	240W (120W + 120W)
Ampere	3A
Levels Of Speed Control	4 Levels
Airflow ¹ (Q/L/M/H)	385CFM / 490CFM / 615CFM / 900CFM
Noise Level ²³ (Q/L/M/H)	1.5Sone(46dB) / 3.5Sone(58dB) / 5.3Sone(64dB) / 7.5Sone(69dB)
Number Of Motors	2 Motors
Motor Type	Single Chamber Ultra Quiet
Fan Type	Centrifugal Squirrel Cage
Control Type	Touch Sensitive Electronic Control Panel w/ Heat Sensor & Remote
Filtration Type	Stainless Steel Baffle Filter
Illumination	LED 3W 12V
Venting Size	Top, 8 inches Round
Interference Protection	Radio Frequency Interference Protected

¹ . In House Test Static Pressure “0”.

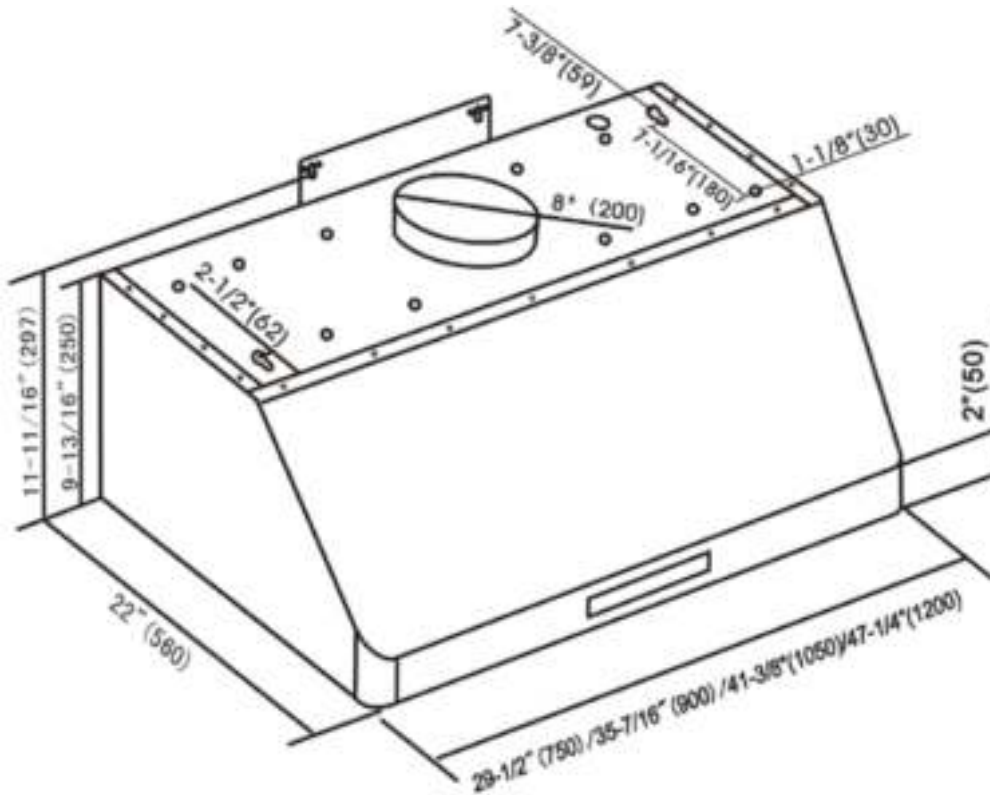
² . One sone is roughly equivalent to the sound of a refrigerator (1kHz) at 40 decibels.

³ . Subject to change without notice, please contact your local reseller for details.

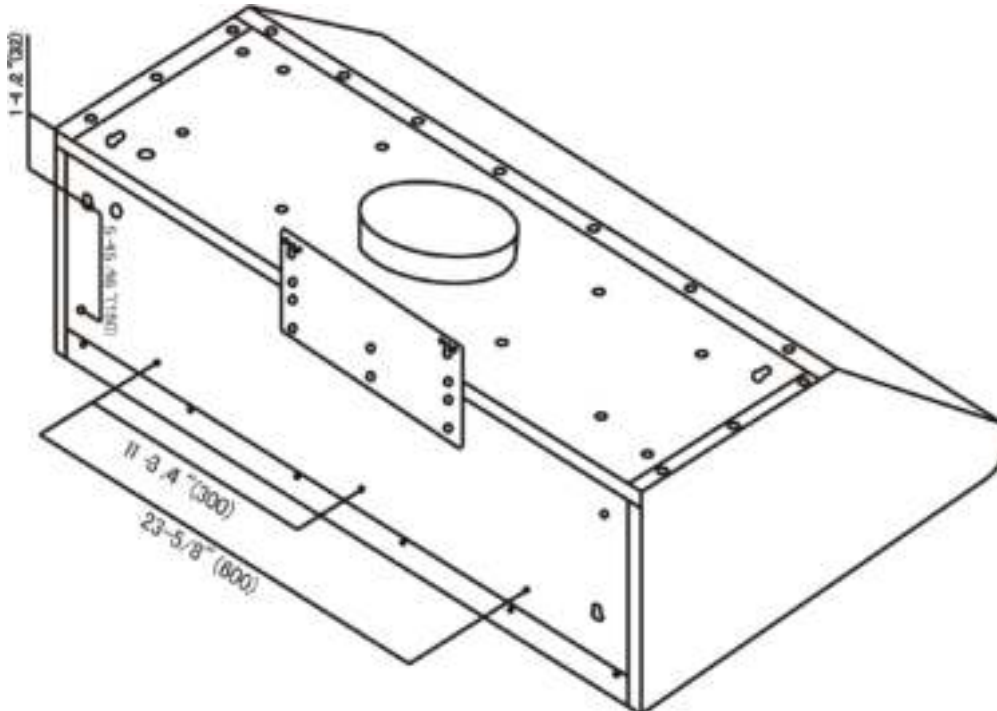
Measurements & diagrams

- All measurements in parenthesis are in millimeter.
- All inch measurements are converted from millimeters, thus inch measurements are estimated.

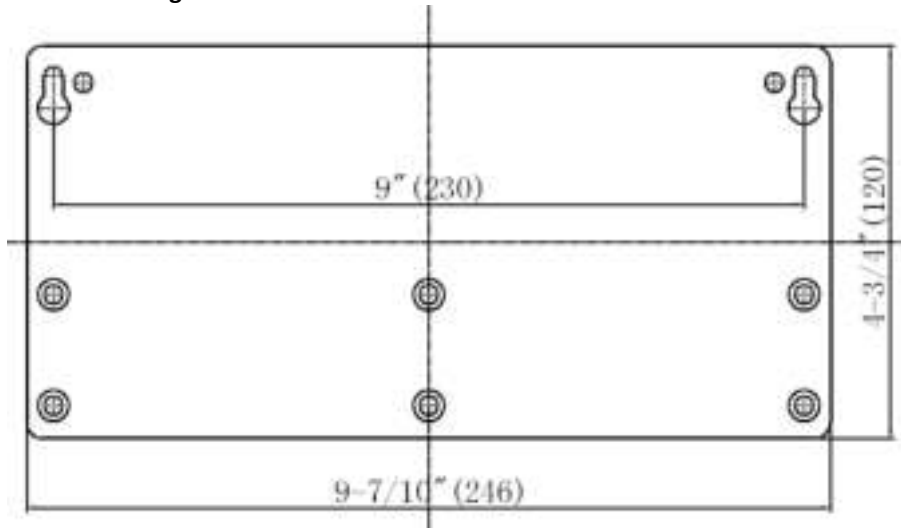
7227.0005 – 7227.0010



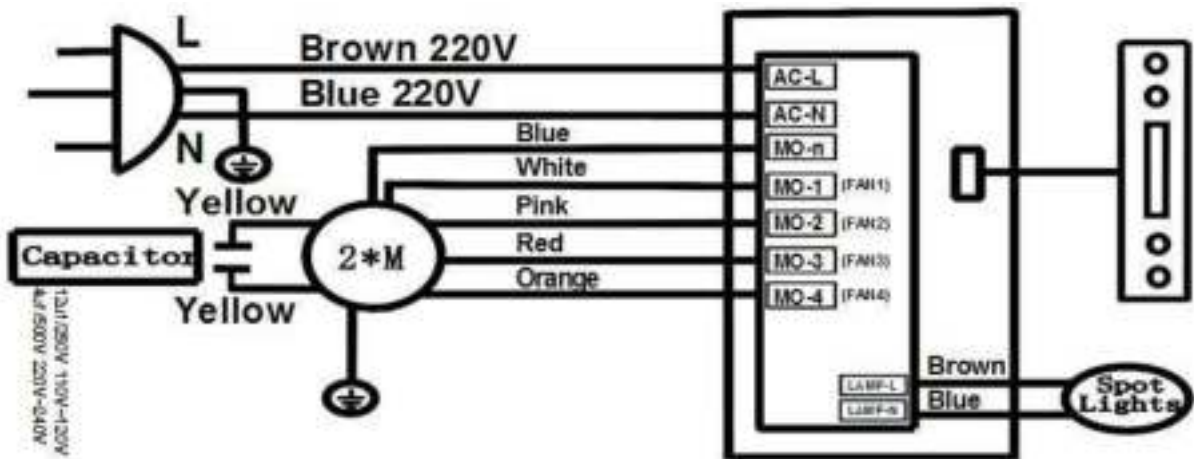
Rear Knockout Holes:



Hood-mounting Bracket:

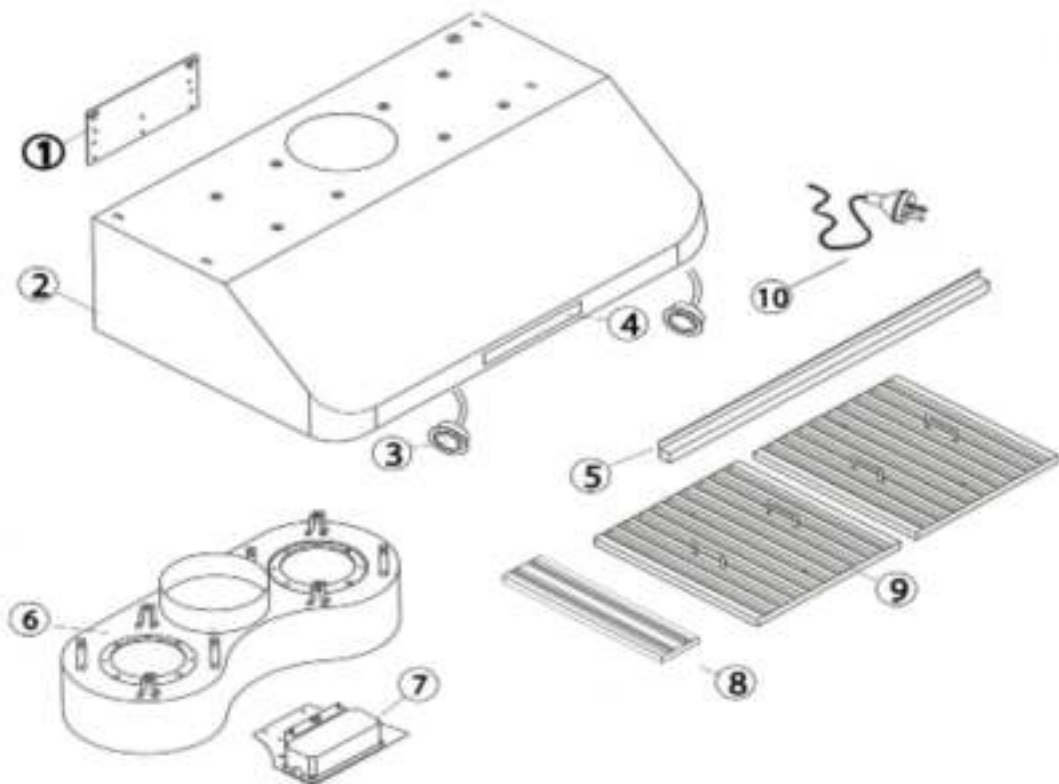


Circuit Diagram:



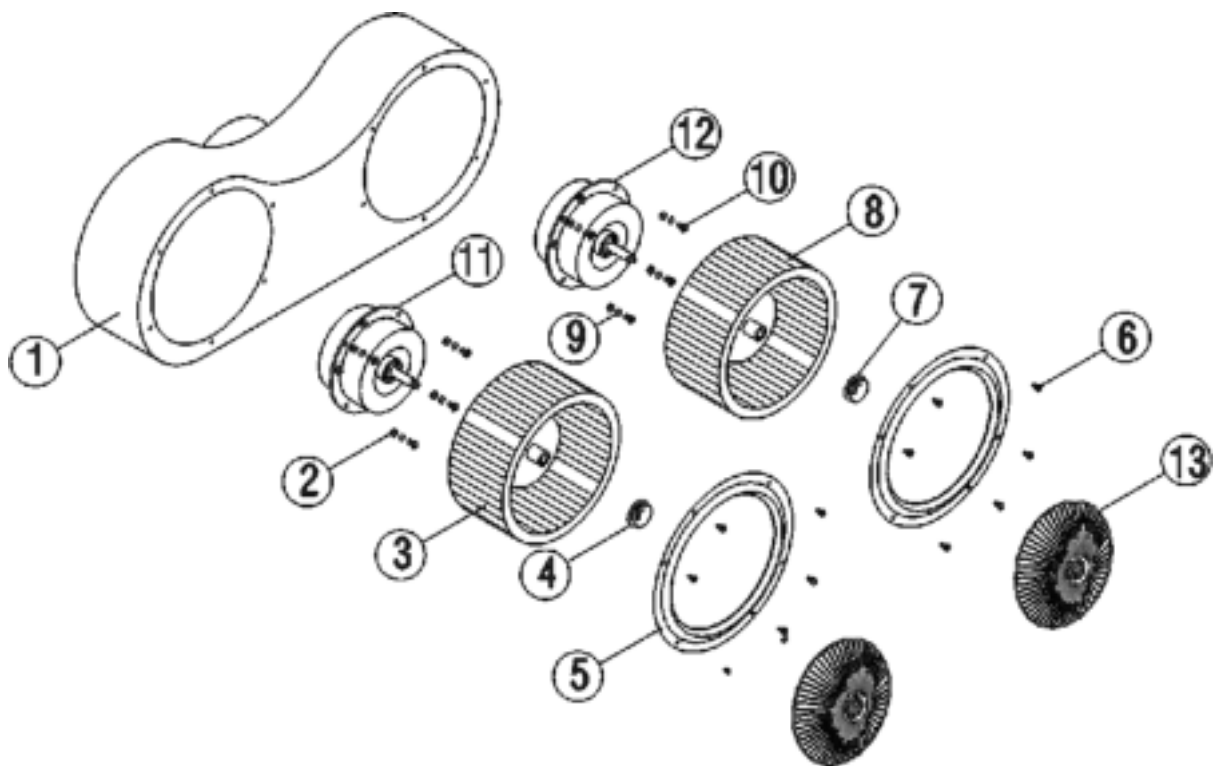
Range Hood Assembly:

No.	Description	Quantity
1	Hood-Mounting Bracket	1
2	Hood Body	1
3	Light	2
4	Control Panel	1
5	Oil Tunnel	1
6	Blower Assembly (Motor, Fan Blade, Protective Grill and Squirrel Cage)	1
7	Electrical Assembly	1
8	Stainless Steel Spacer	1 / (2 for 42 & 48")
9	Baffle Filter	2 / (3 for 48")
10	Power Cord	1



Blower Assembly:

No.	Description	No.	Description
1	Squirrel Cage	8	Right Fan Blade
2	Screw Cap	9	Gasket
3	Left Fan Blade	10	Screws (3/16" x 3/8")
4	Left Locknut	11	Left Motor
5	Air Flow Grill	12	Right Motor
6	Screws (3/16" x 3/8")	13	Protective Grill
7	Right Locknut		



MAINTENANCE

SAFETY WARNING: Never put your hand into area housing the fan while the fan is operating! For optimal operation, clean range hood and all baffle/spacer/filter/grease tunnel/oil container regularly. Regular care will help preserve the appearance of the range hood.

Cleaning Exterior surfaces:

- Clean periodically with hot soapy water and clean cotton cloth. Do not use corrosive or abrasive detergent (e.g. Comet Power Scrub®, EZ-Off® oven cleaner), or steel wool/scoring pads, which will scratch and damage the stainless steel surface. For heavier soil use liquid degrease such as “Formula 409®” or “Fantastic®” brand cleaner.
- If hood looks splotchy (stainless steel hood), use a stainless steel cleaner to clean the surface of the hood. Avoid getting cleaning solution onto or into the control panel. Follow directions of the stainless steel cleaner. **CAUTION: Do not leave on too long as this may cause damage to hood finish.** Use soft towel to wipe off the cleaning solution, gently rub off any stubborn spots. Use dry soft towel to dry the hood.
- After cleaning, you may use nonabrasive stainless steel polish such as 3M® or ZEP®, to polish and buff out the stainless luster and grain. Always scrub lightly, with clean cotton cloth, and with the grain.
- DO NOT allow deposits to accumulate or remain on the hood.
- DO NOT use ordinary steel wool or steel brushes. Small bits of steel may adhere to the surface and cause rusting.
- DO NOT allow salt solutions, disinfectants, bleaches, or cleaning compounds to remain in contact with stainless steel for extended periods. Many of these compounds contain chemicals, which may be harmful. Rinse with water after exposure and wipe dry with a clean cloth.

Cleaning Filters (Baffle or Aluminum Grease):

IMPORTANT: Drain oil from oil containers before oil and residue overflow!

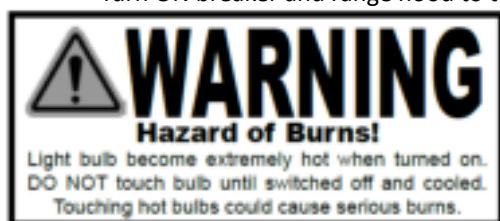
- The metal filters fitted by the factory are intended to filter out residue and grease from cooking. It need not be replaced on a regular basis but are required to be kept clean.
- Filters should be cleaned after every 30 hours of use.
- Remove and clean by hand or dishwasher. Spray “Formula 409®” or equivalent degreasing detergent and leave to soak if heavily soiled. Dry filters and re-install before using hood.

Replacing Filters:

- Should aluminum grease filters wear out due to age and prolonged use, please contact your local reseller for replacement filters. (Note: Also replace damaged filter that has punctured or broken mesh, bent or broken frame.)

Replacing the light bulb:

- This range hood uses LED bulb (please refer to the actual specification of the hood purchased): LED 3W 12V
- Make sure the range hood is unplugged or turn OFF breaker.
- Make sure the lights are cool to touch, carefully align the arrow on the inner ring with the arrow on the outer ring where it says OPEN. The inner ring will loosen and the light bulb will be available for removal. Install a new halogen light bulb and reverse the steps.
- Turn ON breaker and range hood to test for operation.



Replacing the Light Bulb Using the Inner Ring Opener:

- Make sure the range hood is unplugged or turn OFF breaker.
- Make sure the lights are cool to touch, carefully align the arrow on the inner ring with the arrow on the outer ring where it says OPEN with the Inner Ring Opener as shown in Figure 1.
- The inner ring will loosen and the light bulb will be available for removal as shown in Figure 2.



Figure 1.

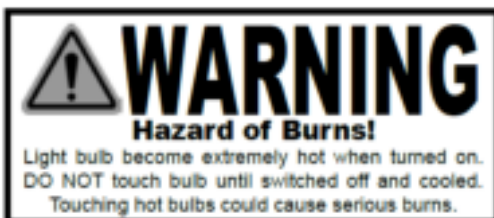


Figure 2.

- Install a new light bulb and reverse the steps.
- Turn ON breaker and range hood to test for operation.

Replacing LED Light Fixture:

- This range hood uses LED light fixture: 3W Max 12V LED
- Make sure the range hood is unplugged or turn OFF breaker and the lights are cool to touch.
- Place a flat-head screwdriver between light housing and hood body, gently pry up the light housing and search for the metal clip.
- Apply force to the metal clip and pull out the light fixture. Disconnect the power cable and discard the old light fixture.
- Reverse the steps to install a new halogen light fixture. Turn ON breaker and range hood to test for operation.



WARRANTY

TO OBTAIN SERVICE UNDER WARRANTY: You must present proof of original purchase date.

Please provide an original dated proof of purchase (sales receipt / invoice) in order to obtain service under warranty.

One Year Parts Warranty:

For one year from the date of original purchase, your local reseller will provide free of charge, non-consumable replacement parts or components that failed due to manufacturing defects. Subject to the conditions and limitations set forth below, your local reseller will, at its option, either repair or replace any part of its products that prove defective by reason of improper workmanship or materials. Repaired parts or replacement products will be provided by your local reseller on an exchange basis, and will be either new or refurbished to be functionally equivalent to new. The consumer is responsible for all shipping costs. Consumable parts not covered by this warranty include but not limited to: Light bulbs, metal, aluminum and charcoal filters.

Who is Covered:

This warranty is extended to the original purchaser for products purchased for ordinary home use.

This Warranty Will Be Voided When:

Product damaged through negligence, improper installation, accident, abuse, misuse, natural disaster, insufficient or excessive electrical supply, abnormal mechanical or environmental conditions, or any unauthorized disassembly, repair, modification, or failure to follow installation instructions. When product is used commercially or other than its intended purpose. Damaged because of improper connection with equipment of other manufacturers. Repaired or modified by anyone other than your local reseller's authorized agents. This limited warranty also does not apply to any product on which the original identification information has been altered, obliterated or removed, has not been handled or packaged correctly or has been sold as second-hand.

What is Not Covered:

Consumable parts such as light bulbs, metal and charcoal filters. The natural wear of finish, and wear due to improper maintenance, use of corrosive and abrasive cleaning products, pads, and oven cleaner products. Chips, dents or cracks due to abuse, misuse, freight damage, or improper installation. Damage of product caused by accident, fire, floods or act of God. The manufacturer and/or distributor/reseller is not liable for, and does not cover under warranty, any loss of properties or any costs associated with removing, servicing, installing, or determining the source of problems with this product.

This warranty is valid in the country of the original purchase at retail. It is non-transferable and applies only to the original purchaser and does not extend to subsequent owners of this product. Any applicable implied warranties, including the warranty of merchantability, are limited in duration to a period of express warranty as provided herein beginning with the date of original purchase at retail and, no warranties, whether express or implied, shall apply to this product thereafter.

To obtain warranty service, you may contact your local reseller from which you purchased this product. Please confirm the terms of your local reseller's policies prior to contacting. Typically, you must include product identification information, including model number and serial number with a detailed description of the problem you are experiencing. You must also include proof of the date of original retail purchase as evidence that the product is within the applicable warranty period.

Disclaimer

Carefully inspect all items for damages before accepting delivery. Note any damages on the freight bill or express receipt. Request name and signature of the carrier's agent and keep copy to support your claim. Upon acceptance of items, owner assumes responsibility for its safe arrival. Report damages to the carrier and file a claim immediately. Failure to do so may result in the denial of your claim. The carrier will furnish you with necessary forms for filing a claim.

Damages caused during transit are not covered under our warranty. Please contact us to file an insurance claim.

Please inspect contents of package(s) carefully upon receiving! We must be notified of any damages and/or missing parts within five (5) days upon your receipt of package(s). Claims will not be accepted after five (5) days. NOTE: Items were thoroughly tested and carefully packed in our factory before shipping.

Products must be returned in good working condition with ALL original parts and documentation packed in ALL original cartons, fillers and shipping cartons. A restocking fee of 15% will be charged for all approved return(s). Exchanges or returns may not be accepted if any packaging is missing.

Make sure to inspect the hood for damages and defects before installation. Appearance flaws of the hood found after installation and not affecting hood performance is not covered under our warranty for returns or exchanges. Service visits not covered under warranty will carry a service charge.

Before Installation: Return for exchange or refund (please see above for acceptable returns).

After Installation: NO exchange or refund.

Contact us

If you need any assistance, please contact your local reseller. Please have your order number and model of the range hood ready. This information will help them better respond to your request.

If you need replacement parts, we recommend that you only use genuine parts. Our accessories and parts are engineered and designed specifically for this series of range hood, each is rigorously tested assuring the utmost in durability and reliability, providing a factory match, factory-installed appearance and functionality tailored to each individual range hood model.

Belangrijke veiligheidsinformatie

Lees alle instructies voordat u dit apparaat installeert en gebruikt

- De installatie in deze handleiding is bedoeld voor gekwalificeerde installateurs, onderhoudstechnici of personen met een vergelijkbare gekwalificeerde achtergrond. Installatie en elektrische bedrading moeten worden uitgevoerd door gekwalificeerde professionals en in overeenstemming met alle van toepassing zijnde codes en normen, inclusief een brandbestendige constructie.
- Probeer **NOOIT** dit apparaat zelf te installeren. Verwonding kan het gevolg zijn van het installeren van het apparaat zonder een geschikte elektrische en technische achtergrond.
- Afzuigkap kan zeer scherpe randen hebben; draag zo nodig beschermende handschoenen om onderdelen te verwijderen voor installatie, reiniging of onderhoud.
- Als u een schakelaar **AAN** zet voordat u de installatie voltooit, kan dit een ontvlaming of een ontploffing veroorzaken.
- Vanwege de afmetingen en het gewicht van deze afzuigkap, wordt aanbevolen de installatie uit voeren met twee personen.

Om het risico op brand, elektrische schokken of persoonlijk letsel te beperken:

- Bedoeld voor algemeen ventilerend gebruik. **NIET** gebruiken voor het afzuigen van gevaarlijke of explosieve materialen en dampen.
- De verbrandingsluchtstroom die nodig is voor een veilige werking van op brandstof-werkende apparatuur, kan worden beïnvloed door de werking van dit apparaat. Volg de richtlijnen van de fabrikant en veiligheidsnormen zoals gepubliceerd door de National Fire Protection Association (NFPA) en de American Society of Heating, Refrigeration and Air Conditioning Engineers (ASHRAE) en lokale instanties.
- Schakel **vóór** onderhoud of reiniging de stroom **UIT** op het bedieningspaneel en vergrendel het bedieningspaneel om te voorkomen dat de stroom per ongeluk wordt ingeschakeld.
- Maak met vet belaste oppervlakken regelmatig schoon. Om het risico op brand te verminderen en lucht goed te verspreiden, moet u de lucht naar buiten laten ontsnappen. Laat lucht **NOOIT** afvoeren of het luchtkanaal uitkomen in ruimten tussen muren, kruipruimtes, plafonds, zolders of garages.
- Ingesloten ventilatoren **MOETEN** altijd naar buiten worden geventileerd.
- Gebruik alleen metalen kanaalsystemen. Dit apparaat **MOET** geaard zijn.
- Voldoende lucht is nodig voor een goede verbranding en afzuiging van gassen door het kanaal om terugslag te voorkomen.
- Zorg ervoor dat u bij het snijden of boren in de muur of het plafond de elektrische bedrading of andere verborgen voorzieningen niet beschadigt.
- Alle elektrische bedrading moet correct worden geïnstalleerd, geïsoleerd en geaard.
- Oude kanaalsystemen moet indien nodig worden schoongemaakt of vervangen om een eventueel vetvuur te voorkomen.
- Controleer of de naden van de kanalen goed aangesloten zijn. Alle naden moeten goed worden afgeplakt.
- Gebruik dit apparaat alleen op de manier zoals die door de fabrikant bedoeld is. Neem contact op met de leverancier als u vragen hebt.

Om het risico op een vetvuur te verminderen:

- Houd alle ventilatoren, keerplaten, afstandhouders, filters, oliekanalen, oliereservoirs en met vet beladen oppervlakken schoon. Vet mag zich niet ophopen op de ventilator, keerplaat, afstandhouders, de filter, het oliekanal en het oliereservoir.
- Zet de afzuigkap altijd **AAN** als u op een hoge instelling kookt of als u vlammend voedsel bereidt.
- Gebruik alleen hoge instellingen op de kookplaat wanneer nodig.
- Laat apparaten nooit onbeheerd achter bij hoge instellingen. Overkoken veroorzaakt rook en overlopen van vet die vlam-in-de-pan kunnen veroorzaken. Verwarm de olie langzaam op lage of medium-standen.
- Ventilator regelmatig reinigen.
- Gebruik altijd de juiste maat kook- en keukengerei.
- Gebruik altijd kookgerei dat geschikt is voor de grootte van de oppervlakte van het apparaat.

Om het risico op verwonding te beperken in het geval van een vetvuur op de kookplaat:

- SMOOR DE VLAMMEN met een nauwsluitend deksel, bakplaat of metalen bak, zet dan de brander UIT. BELANGRIJK OM BRANDWONDEN TE VOORKOMEN. PAK NOOIT EEN VLAMMENDE PAN OP - u kunt brandwonden oplopen. BEWAAR ONTVLAMBAAR OF BRANDGEVAARLIJK MATERIAAL UIT DE BUURT VAN VLAMMEN. Als de vlammen NIET meteen uitgaan, EVACUEER EN BEL DE BRANDWEER of bel onmiddellijk uw lokale alarmdienst.
- GEBRUIK GEEN WATER, met inbegrip van natte vaatdoeken of handdoeken - dit veroorzaakt een krachtige stoomexplosie.
- Gebruik ALLEEN een blusser als:
- U weet dat u een brandblusser van klasse A, B en C heeft en u weet hoe u deze moet bedienen.
- Het vuur is klein en binnen het gebied waar het is begonnen.
- De brandweer wordt gebeld.
- Bestrijd het vuur met uw rug naar een uitgang.

Om het risico op letsel te beperken in het geval van gaslekken:

- Doof elke open vlam.
- Zet de ventilator van de afzuigkap of een ander soort ventilator NIET aan.
- NOOIT de lichten aandoen of een ander apparaat aanzetten.
- Open alle deuren en ramen om het gas te verspreiden. Als u nog steeds gas ruikt, bel dan het gasbedrijf en de brandweer of bel onmiddellijk uw plaatselijke alarmdienst.

Uw veiligheid en de veiligheid van anderen is uiterst belangrijk. We hebben veel belangrijke veiligheidsmaatregelen beschreven in deze handleiding en op uw apparaat. Lees deze door en houd u altijd aan alle veiligheidsmaatregelen. Alle veiligheidsmaatregelen informeren u over wat het eventuele gevaar is, hoe u de kans op letsel beperkt en wat er kan gebeuren als de instructies niet worden opgevolgd.



WAARSCHUWING

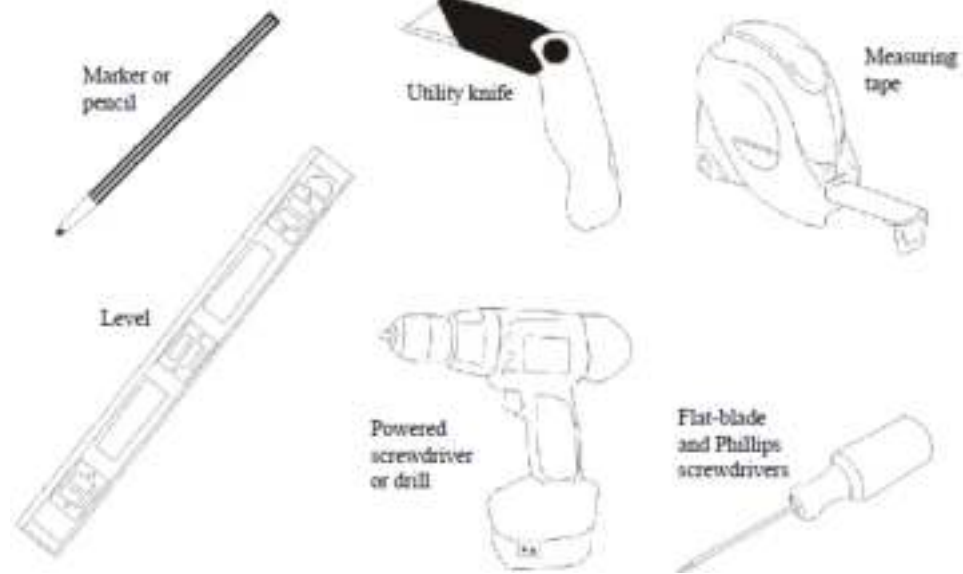
Dit is het symbool voor een veiligheidswaarschuwing. Dit symbool waarschuwt u voor mogelijke gevaren die letsel kunnen veroorzaken. Alle veiligheidsmaatregelen hanteren het veiligheidswaarschuwingssymbool en het woord "WAARSCHUWING".

De fabrikant en/of distributeur/verkoper wijst alle verantwoordelijkheid in geval van niet-naleving van de hier gegeven instructies voor installatie, onderhoud en geschikt gebruik van het product af. De fabrikant en/of distributeur/verkoper wijst verder alle verantwoordelijkheid voor letsel als gevolg van nalatigheid af. De garantie van het apparaat vervalt automatisch als gevolg van onjuist onderhoud.

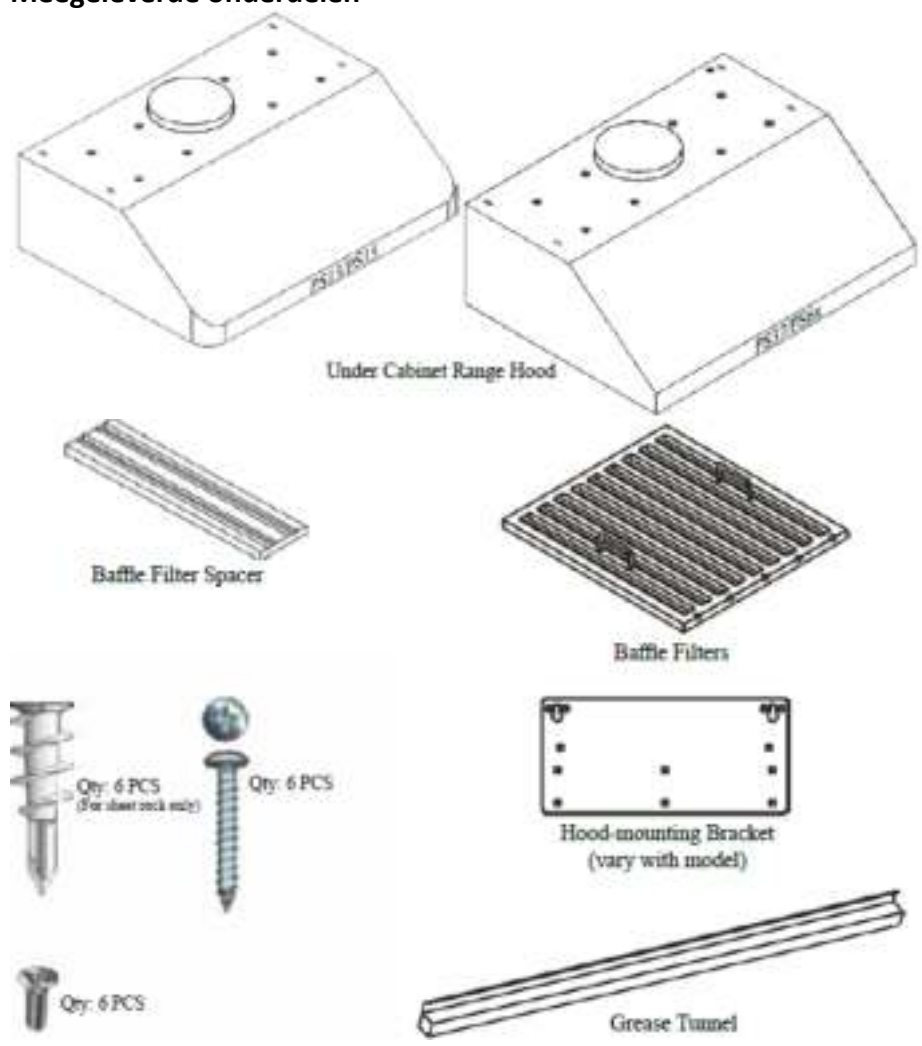
De fabrikant en/of distributeur/verkoper zijn niet aansprakelijk voor enige schade aan persoonlijke eigendommen of onroerend goed of lichamelijk letsel, ongeacht of deze direct of indirect door de afzuigkap veroorzaakt is.

INSTALLATIE

Benodigd gereedschap



Meegeleverde onderdelen



Ventilatievereisten

- Het ventilatiesysteem moet naar buiten toe worden afgesloten (dak of zijwand).
- Laat het ventilatiesysteem NIET op een zolder of een ander afgesloten ruimte uitkomen.
- Gebruik GEEN 4" (10,2 cm) muurkapjes bedoelt voor was-/droogruimtes.
- Gebruik alleen een metalen/aluminium ventilatieopening. Stevige metalen/aluminium ventilatieopening is aanbevolen.
- Gebruik GEEN plastic ventilatieopening.
- Houd het kanaal altijd schoon om een goede luchtstroom te garanderen.
- Bereken het volgende vóór installatie:
 1. Afstand van de vloer naar het plafond.
 2. Afstand tussen de vloer tot aan het aanrecht/het fornuis (aanbevolen* 27" tot 30").
 3. Afstand tussen het aanrecht/het fornuis tot aan de afzuigkap.
 4. Hoogte kap en kanaalafdekking.

Voor de meest efficiënte en stille werking:

- Wordt een afstand van tot 27" tot 30" aanbevolen* tussen de kookplaat en de onderkant van de afzuigkap.
- Het wordt aanbevolen om de afzuigkap verticaal door het dak te ventileren door middel van een 8" (20,3 cm), of groter, rond metalen/aluminium ventilatiekanaal.
- De afmeting van de ventilatieopening moet uniform zijn.
- Gebruik niet meer dan drie 90° -bochten.
- Zorg ervoor dat er minimaal 24" (61 cm) rechte ventilatie tussen de bochten is als er meer dan één bocht wordt gebruikt.
- Installeer NIET twee bochten aan elkaar.
- De lengte van het ventilatiesysteem en het aantal bochten moet tot een minimum worden beperkt om efficiënte prestaties te leveren.
- Het ventilatiesysteem moet een demper hebben. Als de dak- of de muurkap een demper heeft, gebruik dan NOOIT een demper (indien meegeleverd) bovenop de afzuigkap.
- Gebruik zilvertape of ducttape om alle naden in het ventilatiesysteem af te dichten.
- Gebruik afdichtkit om de opening rondom de muurkap af te dichten in het dak of de buitenmuur.

* Vanwege verschillende configuraties van de plafondhoogte is de aanbevolen hoogte mogelijk niet van toepassing.

Montagehoogten en speling

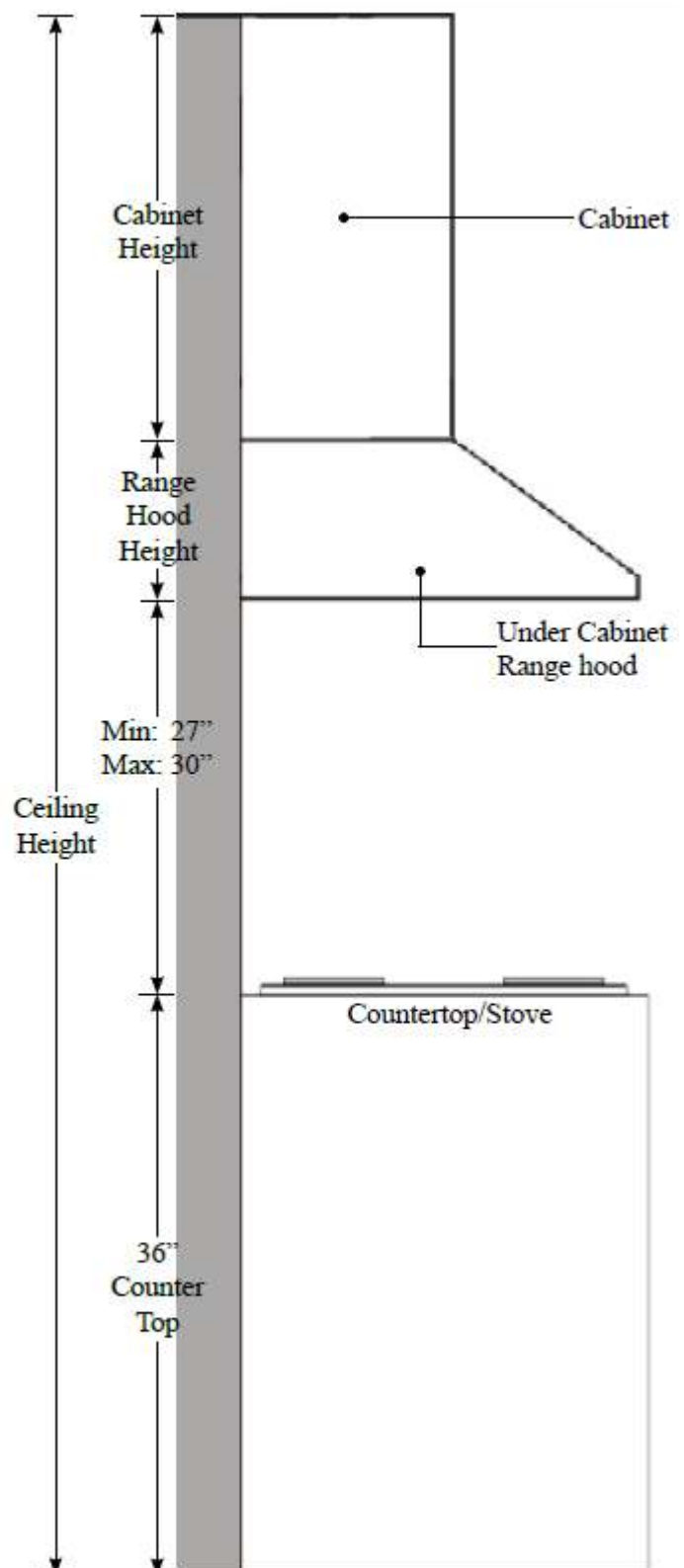
BELANGRIJK:

- Een minimum van 8" rond (standaard voor deze afzuigkap) of 3-1/4 x 10" rechthoekig kanaal (apart verkrijgbaar) moet worden gebruikt om de maximale efficiëntie van de luchtstroom te behouden.
- Gebruik altijd een stevig metalen of aluminium kanaal, indien beschikbaar, om de luchtstroom te maximaliseren bij het verbinden met het meegeleverd kanaal.
- Gebruik *kanaallengte berekenen* hieronder, om de totale beschikbare lengte van het kanaal te berekenen inclusief bochten, overgangen en kappen.
- Wanneer mogelijk, beperk **ALTIJD** het aantal overgangen en bochten. Als een lange kanaalloop nodig is, vergroot dan de kanaalafmeting van 8" naar 10". Als een verloopstuk wordt gebruikt, installeer dan een lang verloopstuk in plaats van een pancake-verloopstuk. Het verkleinen van de kanaalafmetingen zal de luchtstroom beperken en verminderen, dus de kanaalafmeting zo ver mogelijk bij opening verkleinen.
- Als u bochten of overgangen nodig hebt: installeer deze zo ver mogelijk uit de buurt van opening en zo ver mogelijk uit elkaar.
- De minimale montagehoogte tussen de kookplaat en de onderkant van de kap mag niet minder zijn dan 27 inch*.
- De maximale montagehoogte tussen de kookplaat en de onderkant van de kap mag niet hoger zijn dan 30 inch*.
- Het is belangrijk om de kap op de juiste montagehoogte te installeren. Te lage kappen kunnen leiden tot hittede schade en brandgevaar; terwijl te hoge kappen moeilijk te bereiken zijn en prestatie en efficiëntie verliezen.
- Raadpleeg, indien beschikbaar, ook de vereisten voor vrije ruimte van de fabrikant van de kookplaat en de aanbevolen montagehoogte van de kap boven de kookplaat.

* Vanwege verschillende plafondhoogtes is de aanbevolen hoogte mogelijk niet van toepassing.

Minimale kanaalmaat:

- Rond – 8" minimum
- Rechthoekig - minimaal 3-1/4 x 10" (vereist een 8" x 3-1/4x10" -adapter, niet meegeleverd)



Berekenen van de lengte van het ventilatiesysteem

Om de lengte van het systeem dat u nodig hebt te berekenen, trekt u de gelijke lengte af voor elk ventilatieonderdeel dat in het systeem wordt gebruikt van de aanbevolen maximale kanaallengte.

Berekening kanaallengte	
Aanbevolen maximale lengte	
8" of 3-1/4 x 10" kanaal	50 ft
Aftrek luchtopeningsstuk	
Elke gebruikte 90° bocht	9 ft
Elke gebruikte 45° bocht	5 ft
Elke overgang van 7" naar 3/14x10" wordt gebruikt	7 ft
Zij-muurkap met demper	0 ft
Dakkap	0 ft

Voorbeeld kanaallengte berekening:

Eén dakdop, twee 90° bochten en één 45° bocht gebruikt:

0 m + 9ft + 9ft + 5ft = 23ft gebruikt.

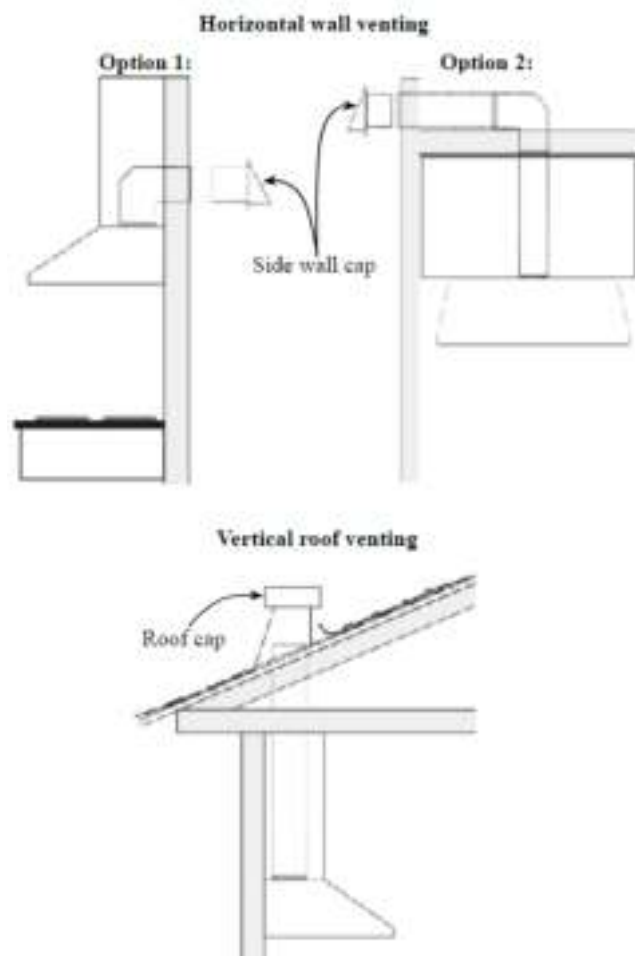
Trek 23ft af van 50ft, maximaal 27ft beschikbaar voor het rechte kanaal.

Ventilatiemethoden

- Deze afzuigkap is in de fabriek ingesteld voor ventilatie via het dak of de muur.
- Ventilatiekanaal kan naar buiten komen via het dak of de muur. Om via een muur te ventileren, is een bocht van 90° nodig.

BELANGRIJK:

- Laat lucht NOOIT afvoeren of het luchtkanaal uitkomen in ruimten tussen muren, kruipruimtes, plafonds, zolders of garages. Alle luchtafvoer moet naar buiten worden geleid.
- Gebruik alleen metalen/aluminium kanaalsystemen.
- Maak alle verbindingen vast met plaatschroeven en plak alle naden af met gecertificeerd zilvertape of ducttape.
- Gebruik afdichtkit om de opening rondom de muurkap af te dichten in het dak of de buitenmuur.



Elektrische voorschriften

BELANGRIJK: Neem alle geldende codes en verordeningen in acht.

(Raadpleeg een gekwalificeerde elektricien voor 220-Volt 50 Hz spanning)

Het is de verantwoordelijkheid van de klant:

- Om contact op te nemen met een gekwalificeerd elektricien.
- Om te zorgen dat de elektrische installatie voldoet en in overeenstemming is met de National Electrical Code, ANSI/NFPA 70 - laatste editie* of CSA-normen C22. 1-94, Canadian Electrical Code, deel 1 en C22. 2 Nr. 0-M91 - laatste uitgave** en alle lokale codes en verordeningen.

Als de codes dit toelaten en een afzonderlijke aardingsdraad wordt gebruikt, wordt het aanbevolen dat een gekwalificeerde elektricien bepaalt of het grondpad voldoende is.

Een 120-Volt, 60 Hz, AC-only, gezeekerde elektrische voeding is vereist op een afzonderlijk circuit van 15 ampère, gezeekerd aan beide zijden van de leiding.

NIET op een gasleiding aarden.

Raadpleeg een gekwalificeerde elektricien als u niet zeker weet of de afzuigkap correct is geaard.

GEEN zekering in het neutrale of grondcircuit plaatsen.

BELANGRIJK: bewaar deze installatiehandleiding voor gebruik door elektrische inspecteurs.

De afzuigkap mag alleen worden aangesloten met koperdraad/stekker.

De afzuigkap moet via een flexibele verbinding rechtstreeks met de zekeringkast (of stroomonderbreker) worden verbonden

met gepantserde of niet-metalen omhulde koperen kabel. Een UL- of CSA-vermelde trekontlasting moet bij elk uiteinde

van de voedingskabel worden geleverd.

Draadmaten (alleen koperdraad) en aansluitingen moeten voldoen aan de classificatie van het apparaat zoals aangegeven op

het model/serienummerlabel. Draadafmetingen moeten voldoen aan de vereisten van de National Electrical Code

ANSI/NFPA 70 - nieuwste editie*, of CSA-normen C22. 1-94, Canadian Electrical Code, deel 1 en C22.

2 Nr. 0-M91 - laatste uitgave** en alle lokale codes en verordeningen. Een UL- of CSA-geclassificeerde kabelconnector

moet bij elk uiteinde van de voedingskabel worden geleverd (aan de afzuigkap en aan de aansluitdoos).

Een kopie van de vermelde normen zijn verkrijgbaar bij:

* National Fire Protection Association

Batterymarch Park

Quincy, Massachusetts 02269

** CSA International

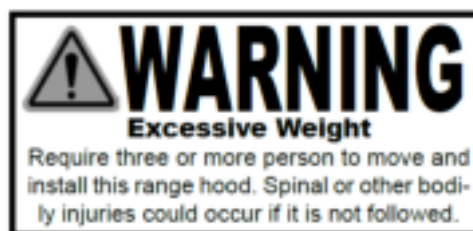
8501 East Pleasant Valley Road

Cleveland, Ohio, 44131-5575

Vorbereiding

Geavanceerde voorbereidingen:

- Zorg dat u bekend bent met de bedieningselementen van de afzuigkap door de *Afzuigkapbediening* te lezen, pagina 35.
- Plaats de afzuigkap op een vlak, stabiel oppervlak. Sluit de afzuigkap aan op een aangewezen standaard stopcontact (raadpleeg het productlabel voor de geschikte spanning van dit apparaat) en zet de afzuigkap aan. Controleer alle handelingen van de afzuigkap aan de hand van *Afzuigkapbedieningen*, pagina 35.
- Plaats alle meegeleverde onderdelen en vereiste hardware op een vlak, stabiel oppervlak en controleer of alle onderdelen vermeld op pagina 27 aanwezig zijn.
- Verwijder de witte plastic beschermlaag voorzichtig van de afzuigkap.



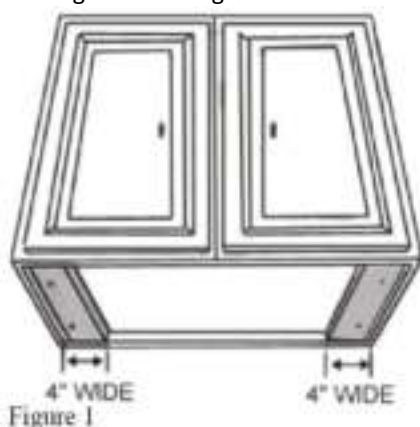
Vorbereidingen:

OPMERKING: voorkom schade aan uw kap door vuil in uw afzuigkap te voorkomen.

- Bepaal de locatie van de ventilatiepijp van de kap naar buiten. Raadpleeg *Ventilatiemethoden* op pagina 30.
- Een recht, kort ventilatiekanaal zorgt ervoor dat de kap efficiënter werkt.
- Probeer zoveel mogelijk overgangen, bochten en lange kanalen te vermijden. Dit kan de prestatie van de kap verminderen.
- BELANGRIJK: Verwijder de witte plastic beschermlaag van de kap, indien aanwezig.
- Gebruik zilvertape of ducttape om naden tussen pijpgedeeltes af te dichten.
- Voor installatie onder de kast met verzonken bodem, bevestigt u 10cm-brede houtstrips (niet meegeleverd) aan elke kant. Raadpleeg Figuur 1.
- Gebruik de referenties in *Afmetingen en Diagrammen* op pagina 38 en maak een toegangsopening voor elektrische draden en luchtafvoer onder de kast.

VOORZICHTIG: Als het nodig is om het fornuis te verplaatsen om de afzuigkap te installeren, schakelt u de stroom naar een elektrisch fornuis bij de hoofdschakelaar uit. SLUIT HET GAS AF VOORDAT U EEN GASFORNUIS VERPLAATST.

- Druk de uitbrekgaten door (voor montage onder de kast) op de kap zoals weergegeven in Fig. 2.
- Bevestig indien nodig twee rubberen standaards met 3M kleefbanden aan de achterhoeken van de kap.

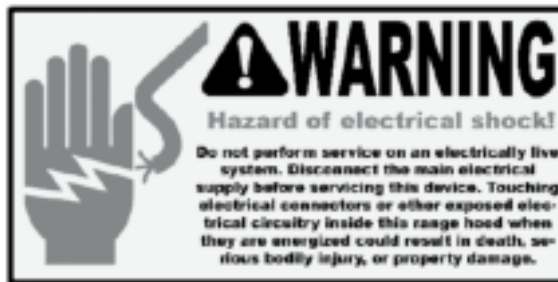


Installatie

Installaties (zie pagina 27 voor onderdelen): Meet de afstand tussen de kookplaat en de onderkant van de afzuigkap. Een afstand van 27" tot 30" wordt aanbevolen*.

* Vanwege verschillende plafondhoogtes is de aanbevolen hoogte mogelijk niet van toepassing.

1. U kunt deze afzuigkap **op twee manieren** monteren (A of B):



A. Ga verder als u deze afzuigkap wilt monteren zonder de montagebeugel te gebruiken.

1. Plaats de kap onder de kast met behulp van de aanwijzingen in *Montagehoogten en speling* op pagina 29 en de *Afmetingen en Diagrammen* op pagina 38. Zorg dat deze gelijk ligt met de voorkant van de kast.
2. Trek de elektrische draden door de toegangsoening van de kast en centreer de kap onder de kast.
3. Plaats vanaf de binnenkant van de kap de schroeven in het exacte midden van elke uitdrukpat en bevestig ze aan de onderkant van de kast. Draai alle schroeven aan totdat ze goed vast zitten. Wees voorzichtig bij het gebruik van een elektrische schroevendraaier, dit kan schade aan de afzuigkap veroorzaken. Sla deel B hieronder over en ga verder met stap 2.

LET OP: zorg ervoor dat de afzuigkap vastzit voordat u deze loslaat!

B. Ga verder als u deze afzuigkap wilt monteren met de montagebeugel voor kap.

1. Markeer het nivelleringspunt van de afzuigkap met behulp van de verwijzingen in *Montagehoogten en speling* op pagina 29 en *Afmetingen en Diagrammen* op pagina 38. Plaats twee montageschroeven op de muur en laat 4,5 cm ruimte vrij van de muur. Het wordt ten zeerste aanbevolen om de kap op dragers of houtstrips aan de muur te bevestigen.
2. Bevestig de montagebeugel van de kap aan de achterkant van de kap met zes schroeven, zoals weergegeven in afbeelding 3.
3. Druk het uitdrukpat voor de draadtoegang aan de achterkant van de kap in en trek de elektrische draden erdoor, zoals weergegeven in afbeelding 4.
4. Plaats de montagebeugel van de kap op de schroeven op de muur en haak de kap op zijn plaats zoals weergegeven in Afbeelding 5. Draai de schroeven vast om de kap aan de muur te bevestigen.

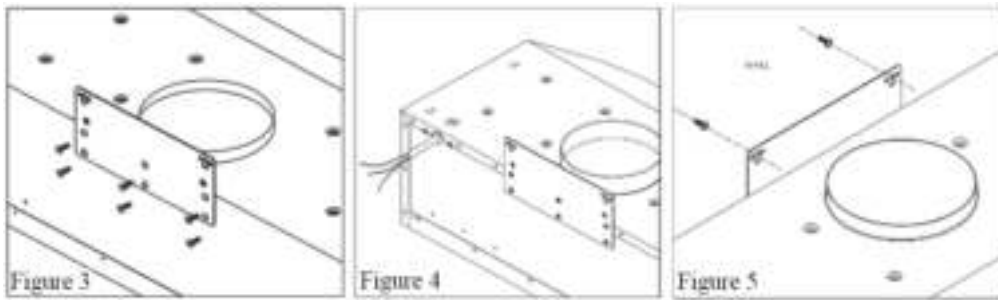
LET OP: zorg ervoor dat de afzuigkap vastzit voordat u deze loslaat!

2. Om veiligheidsredenen zijn voorgeboorde gaten in de kap door de achterkant van de kap aangebracht. Gebruik voor een veiligere installatie zoveel montagegaten als nodig om vanuit de binnenkant van de kap te bevestigen.

3. Gebruik ronde stalen buizen van 20,3cm (volg de bouwvoorschriften in uw regio) om de afvoer van de kap aan te sluiten op het kanaalsysteem erboven. Gebruik zilvertape of ducttape om alle verbindingen goed te bevestigen en luchtdicht te maken. Raadpleeg Afbeelding 6.

VEILIGHEIDSWAARSCHUWING: Gevaar voor elektrische schokken. Deze afzuigkap moet goed zijn geaard. Zorg dat dit is gedaan door een gekwalificeerde elektricien in overeenstemming met alle toepasselijke nationale en lokale elektrische codes. Schakel vóór onderhoud of reiniging de stroom UIT op het bedieningspaneel en vergrendel het bedieningspaneel om te voorkomen dat de stroom per ongeluk wordt ingeschakeld.

4. Sluit de afzuigkap aan op een aangewezen standaard stopcontact of sluit de stekker af en sluit drie draden (zwart, wit en groen) aan op huisdraden en dek deze af met draadconnectors.



5. Bewaar overtollige draden in de bedradingsdoos.

6. Laat het oliekanaal uitkomen in de uitsparing in de buurt van de achterkant van de kap. Raadpleeg Fig 8.

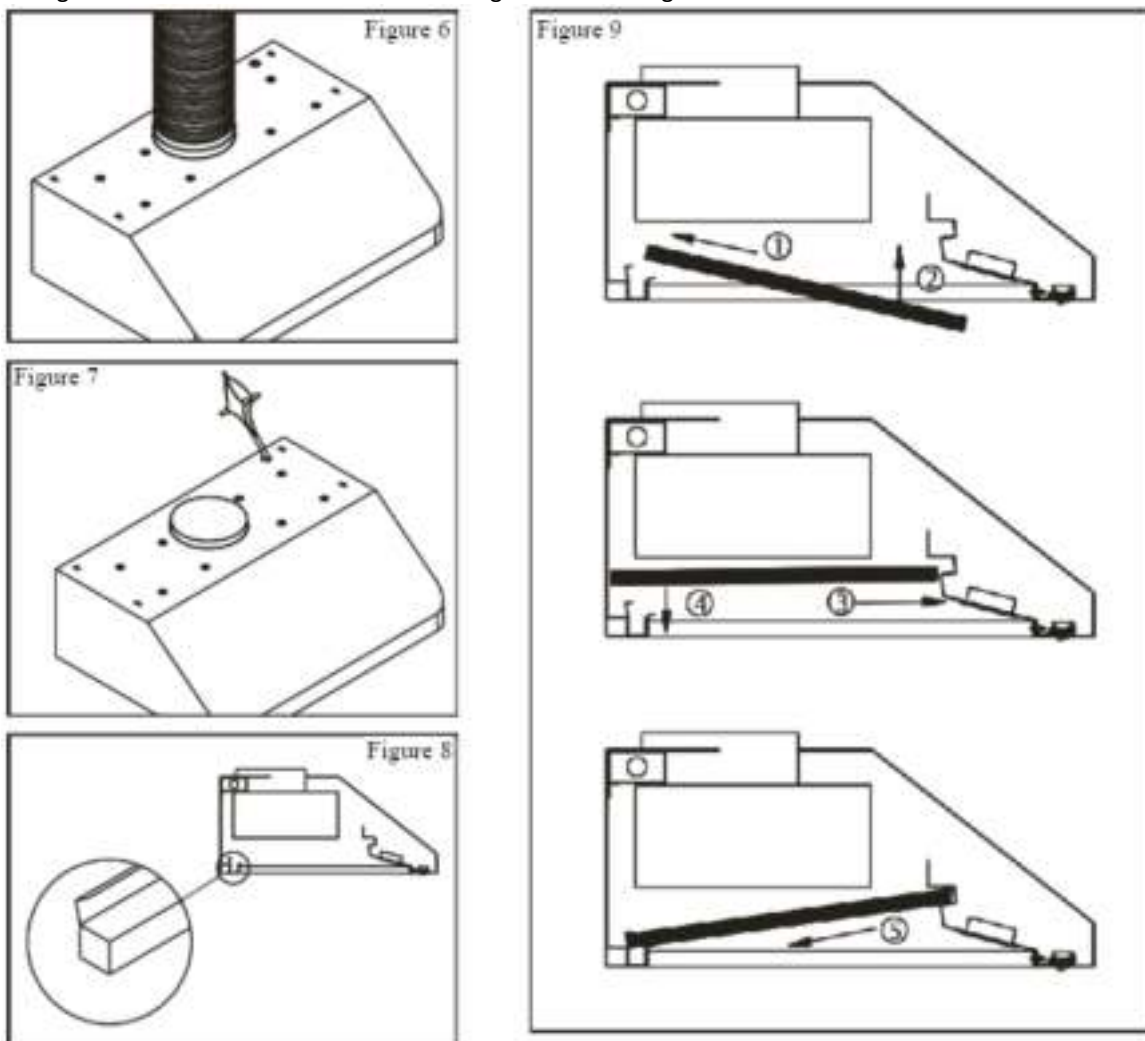
7. Om keerplaten en RVS afstandsstuk(ken) te installeren, raadpleeg Fig. 9 voor de volgende 5 stappen:

1. Houd de keerplaatfilter naar de achterkant van de kap toe.
2. Druk de keerplaatfilter omhoog tot het bijna waterpas staat.
3. Schuif naar voren in de uitsparing achter de voorkant van de kap.
4. Laat de keerplaatfilter zakken.
5. Schuif terug totdat het in de juiste positie past.

8. Herhaal stap 7 om alle keerplaatfilters en RVS afstandhouders te installeren.

9. Zet de stroom AAN via het bedieningspaneel. Controleer alle lichten en ventilatorbedieningen.

10. Zorg ervoor dat u deze installatiehandleiding voor de huiseigenaar achterlaat.



Afzuigkapbedieningen

Indeling configuratiescherm en Configuratie-knoppen:



Behalve de afstandsbediening, is deze afzuigkap ook uitgerust met een warmtesensor die zichzelf binnen 5 seconden zal kalibreren wanneer de afzuigkap voor het eerst elektrisch wordt geactiveerd en piept wanneer zelfkalibratie is uitgevoerd. Om energie te besparen, wordt het LCD-scherm na 5 seconden inactiviteit automatisch uitgeschakeld.

Aanpassen van de Heat Sensitive Auto Speed (HSAS) -functie:

- Druk op de *Auto-functie*-knop om de automatische modus in of uit te schakelen. Het Auto-functie-pictogram verschijnt op het LCD-paneel wanneer de automatische modus is ingeschakeld.
- Terwijl de afzuigkap uit staat, houdt u de *Auto-functie*-knop ingedrukt om naar de modus voor temperatuurinstelling te gaan. Druk op de knop *Hoger* of *Lager* om de temperatuurvergelijkingswaarde in te stellen tussen de interne en externe warmtesensoren van -14°C tot 16,5°C. De temperatuurinstellingsmodus wordt automatisch beëindigd na 5 seconden inactiviteit.
- Terwijl de afzuigkap uit staat en de automatische functie is geactiveerd, schakelt de ventilator automatisch op zijn hoogste snelheid in als de interne temperatuur 4 keer hoger is dan de buitentemperatuur. Vervolgens wordt het snelheidsniveau (tussen snelheidsniveaus F4 tot F1) automatisch aangepast aan de gedetecteerde temperatuur tussen de sensoren (4 keer tot 1 keer). Het snelheidsniveau kan ook handmatig worden overschreven door op de knop *Hoger* of *Lager* te drukken en wordt de Auto-functie na 2 minuten opnieuw geactiveerd. De ventilator kan ALLEEN HANDMATIG worden UITGESCHAKELD of activeer de timer-vertragingfunctie.

Normale ventilatorfunctie activeren:

- Terwijl de afzuigkap uit staat, drukt u op de knop *Hoger* of *Lager* om de ventilator te starten. Druk op de *Hoger*-knop om de ventilatorsnelheid (F1 tot F4) te verhogen zoals aangegeven op het LCD-paneel. De *Hoger*-knop schakelt de ventilatorinstellingen uit van (00), stille snelheid (F1), lage snelheid (F2), gemiddelde snelheid (F3) tot hoge snelheid (F4).
- Terwijl de afzuigkap brandt en de ventilator draait, drukt u op de *Lager*-knop om de ventilatorsnelheid (F4 tot F1) te verlagen zoals aangegeven op het LCD-paneel. De *Lager*-knop voor de ventilatorcyclusinstellingen van hoge snelheid (F4), tot gemiddelde snelheid (F3), lage snelheid (F2), stille snelheid (F1) tot uit (00).

Lichtfunctie activeren:

- Druk één keer op de Licht-knop om de verlichting in te schakelen en nogmaals om de verlichting uit te schakelen.

LET OP: Raak de lichten NIET aan totdat ze UITGESCHAKELD zijn en afgekoeld.

Activering van Uitschakelvertraging:

- Terwijl de afzuigkap brandt en de ventilator draait, drukt u op de Uitschakelvertraging-knop om de vertragingstimer te activeren en het pictogram "Uitschakelvertraging" verschijnt op het LCD-paneel. Pas de gewenste periode van de vertragingstimer aan door op de knop *Hoger* of *Lager* te drukken (minimaal 1 minuut tot maximaal 15 minuten). De timer begint onmiddellijk met aftellen, wanneer deze 0 bereikt, wordt de ventilator uitgeschakeld.

De Klokfunctie aanpassen:

- Terwijl de afzuigkap uitgeschakeld is, drukt u eenmaal op de Uitschakelvertraging-knop om de modus voor het instellen van de klok te openen, druk op de knop Hoger of Lager om het uur in te stellen. Druk nogmaals op de Uitschakelvertraging-knop om de minuten in te stellen. Druk nogmaals op de Uitschakelvertraging-knop om de klokinstellingsmodus te verlaten.

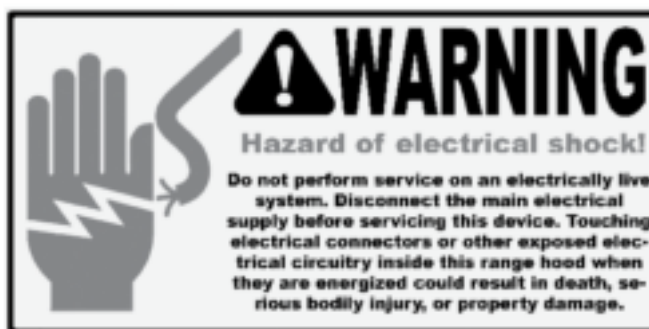
Afstandsbedieningssensor:

- Afstandsbedieningssensor ontvangt een infrarood (IR)-signaal van de afstandsbediening. De maximale afstand voor IR-gegevensoverdracht is 3 meter en vereist een directe gezichtslijn. De verzendafstand kan variëren afhankelijk van de temperatuur en de toestand van de batterij van de afstandsbediening.

Opmerking: de lichtinstellingen zijn onafhankelijk van andere instellingen (inclusief uitschakelvertraging) en lichten moeten handmatig worden in- of uitgeschakeld.

GEBRUIK EN ONDERHOUD

Problemen oplossen



Als de afzuigkap of het halogeenlicht niet werkt na de installatie:	<ul style="list-style-type: none"> • Controleer of de afzuigkap is aangesloten, controleer of alle stroom weer is ingeschakeld, niet is doorgebrand en dat alle elektrische bedrading correct is aangesloten. • Vervang de lampen door werkende om te bepalen of deze wordt veroorzaakt door defecte lampen. Zie <i>Lampen vervangen</i> op pagina 42/43.
De afzuigkap trilt wanneer de ventilator is ingeschakeld:	<ul style="list-style-type: none"> • De afzuigkap heeft misschien niet
De aanjager of ventilator lijkt zwak:	<ul style="list-style-type: none"> • Controleer of de gebruikte kanaalmaat ten minste 8" of 3-1/4 x 10" is. Afzuigkap functioneert NIET efficiënt met onvoldoende kanaalafmetingen. Bijvoorbeeld: kanaal van 10" losjes bevestigd over gat van 8". • Controleer of het kanaal verstopt is of dat de demper (halfronde flap) niet correct geïnstalleerd is of niet goed opent. Een dichte maas op een zij-muurkap kan ook beperking van de luchtstroom veroorzaken.
De lampjes werken, maar de ventilator draait niet, zit vast of rammelt.	<ul style="list-style-type: none"> • De ventilator kan vastzitten of over de bodem schrapen • vanwege transportschade. Neem onmiddellijk contact met ons op.
De afzuigkap voert de lucht niet goed af:	<ul style="list-style-type: none"> • Zorg ervoor dat de afstand tussen de kookplaat en de onderkant van de kap binnen een afstand van* 27" en 30" ligt. * Vanwege verschillende plafondhoogtes is de aanbevolen hoogte mogelijk niet van toepassing. • Verminder het aantal bochten en de lengte van het kanaal. Controleer of alle naden goed zijn aangesloten, afgedicht en afgeplakt. • Zorg ervoor dat het apparaat op hoge snelheid draait tijdens intensief koken.

Gebruiks en onderhoudsinformatie

Bediening:

- Lees en begrijp alle instructies en waarschuwingen in deze handleiding voordat u het apparaat gebruikt. Bewaar deze gebruiksaanwijzing voor toekomstig gebruik.
- Laat veiligheidsroosters en filters altijd op hun plaats. Zonder deze componenten zouden haar, vingers en losse kleding in de werkende ventilatoren kunnen vastraken.
- NOOIT sigarettenas, ontvlambare stoffen of vreemde voorwerpen in de ventilator stoppen.
- NOOIT iets laten koken zonder toezicht. Tijdens het bakken kan olie in de pan gemakkelijk oververhit raken en vlam vatten. Het risico van zelfontbranding is groter wanneer de olie meerdere keren is gebruikt.
- NOOIT koken op "open" vlammen onder de afzuigkap. Controleer friteuses tijdens gebruik: Oververhitte olie kan ontvlambaar zijn.

Reiniging:

- De verzadiging van vetresten in de ventilator en filters kan verhoogde ontvlambaarheid veroorzaken. Houd het apparaat te allen tijde schoon en vrij van vet- en restophoping om eventuele brand te voorkomen.
- Filters moeten periodiek worden gereinigd en mogen geen opeenhoping van kookresten bevatten (zie de reinigingsinstructies op pagina 42). Oude en versleten filters moeten onmiddellijk worden vervangen.
- Gebruik de ventilators NIET wanneer de filters zijn verwijderd. Demonteer onderdelen nooit om ze te reinigen zonder de juiste instructies. Het wordt aanbevolen de demontage alleen door gekwalificeerd personeel uit te voeren. Lees en begrijp alle instructies en waarschuwingen in deze handleiding voordat u verder gaat.

Specificaties

Specificaties ³ :	
Uitvoering	Naadloos roestvrij staal, gesatineerd
Vermogen	220V/50Hz
Algemeen Ingangsvermogen	240W + (aantal licht x watt)
Motor Ingangsvermogen	240W (120W + 120W)
Ampère	3A
Niveaus van snelheidsregeling	4 niveaus
Luchtstroom ⁴ (S/L/M/H)	385CFM / 490CFM / 615CFM / 900CFM
Geluidsniveau ⁵ (S/L/M/H)	1.5Sone(46dB) / 3.5Sone(58dB) / 5.3Sone(64dB) / 7.5Sone(69dB)
Aantal Motoren	2 Motoren
Motortype	1 Kamer ultra stil
Ventilatortype	Centrifugale kooi
Bedieningstype	Aanraakgevoelig elektronisch bedieningspaneel met Warmtesensor & Afstandsbediening
Filtratietype	RVS keerplaatfilter
Verlichting	LED 3W 12V
Ventilieafmeting	Boven, 8 inches rond
Interferentiebescherming	Beschermd tegen storingen van radiofrequenties

⁴. Interne test statische druk "0".

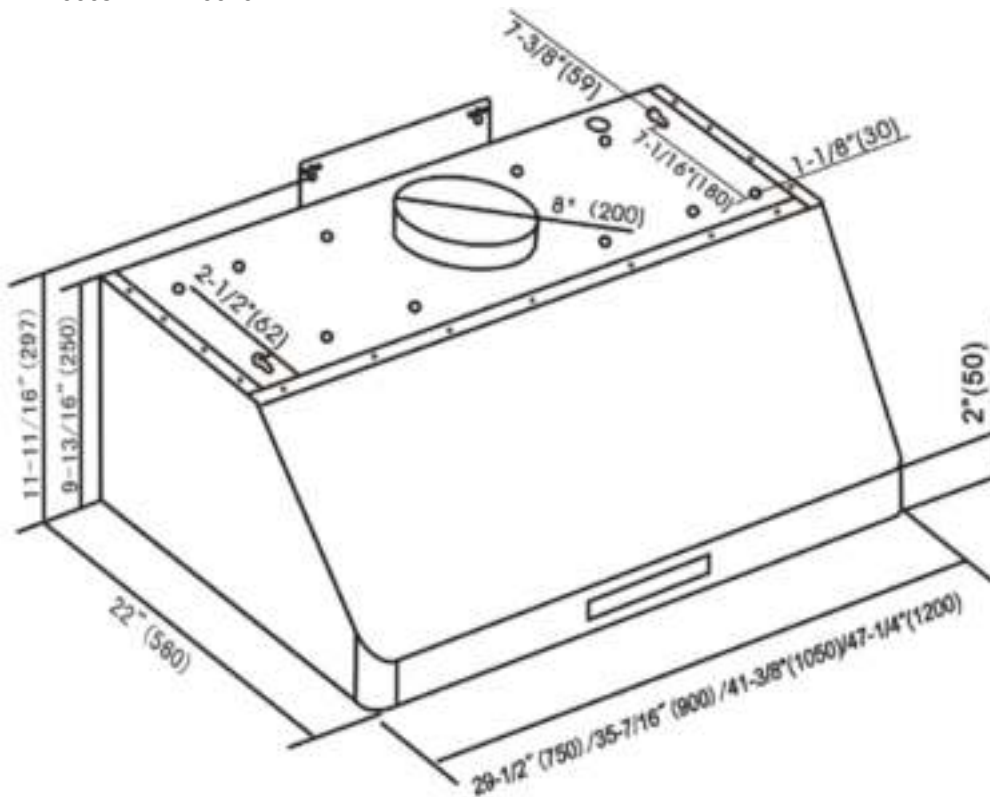
⁵. Eén sone is ongeveer gelijk aan het geluid van een koelkast (1 kHz) bij 40 decibel.

⁶. Wijzigingen voorbehouden zonder voorafgaande kennisgeving, neem contact op met uw plaatselijke dealer voor meer informatie.

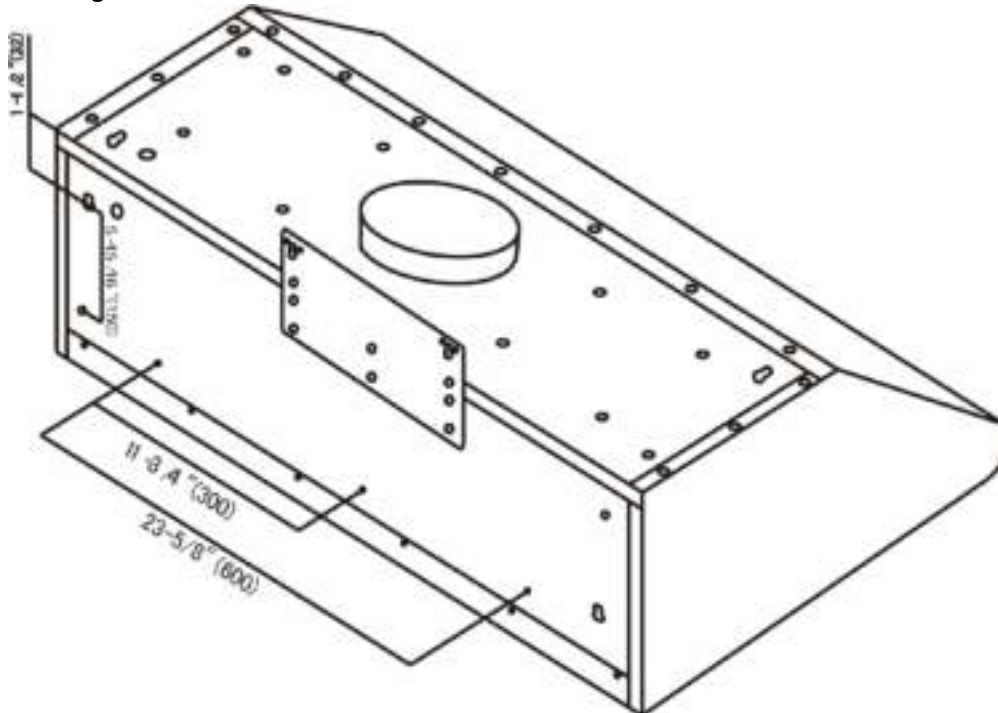
Afmetingen & diagrammen

- Alle afmetingen tussen haakjes zijn in millimeter.
- Alle inch-metingen worden omgezet vanuit millimeters, dus inch-metingen worden geschat.

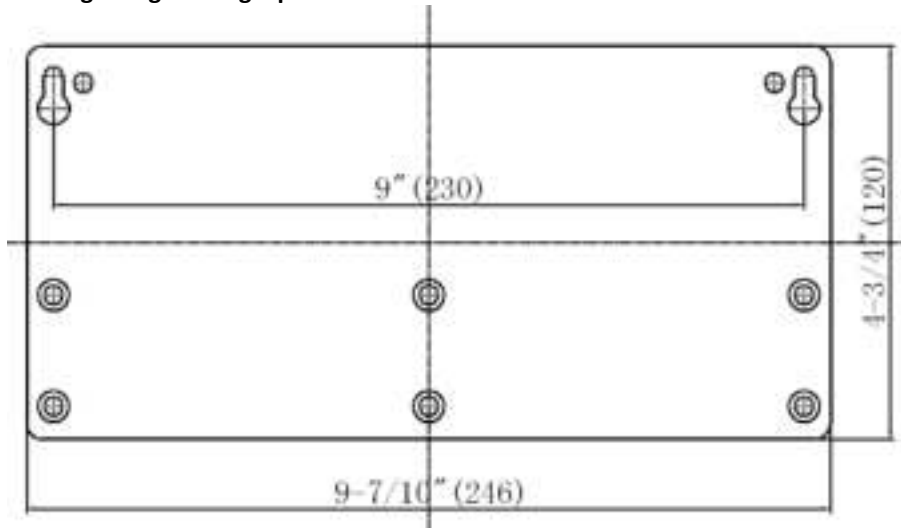
7227.0005 – 7227.0010



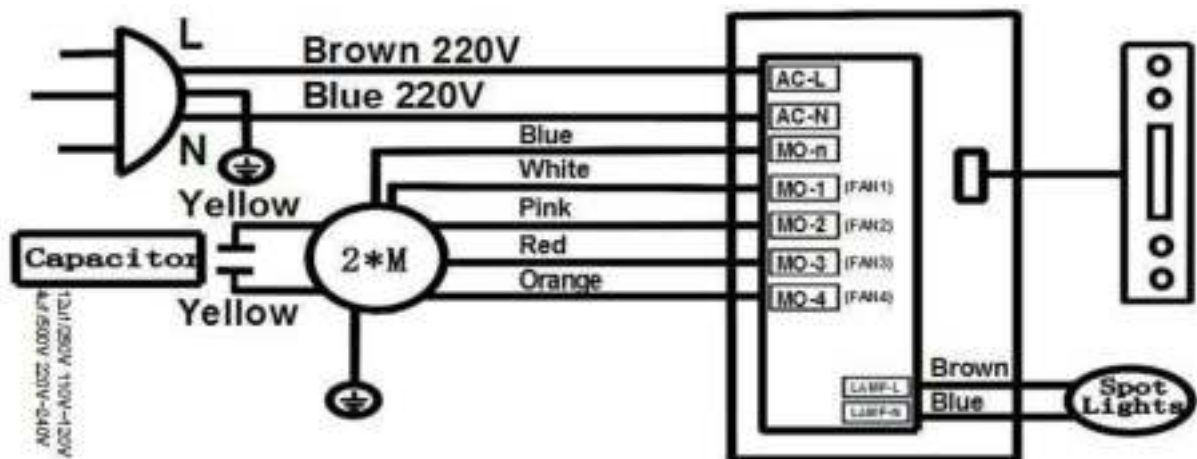
Uitdrukragen achterkant:



Montagebeugel afzuigkap:

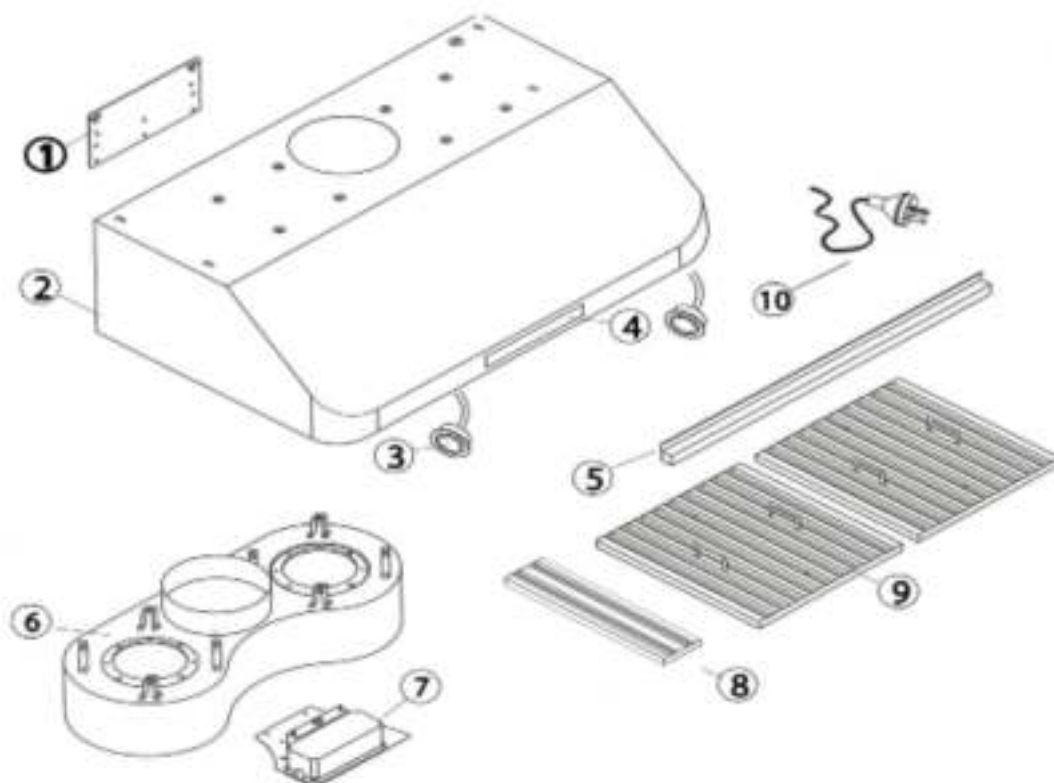


Circuit diagram:



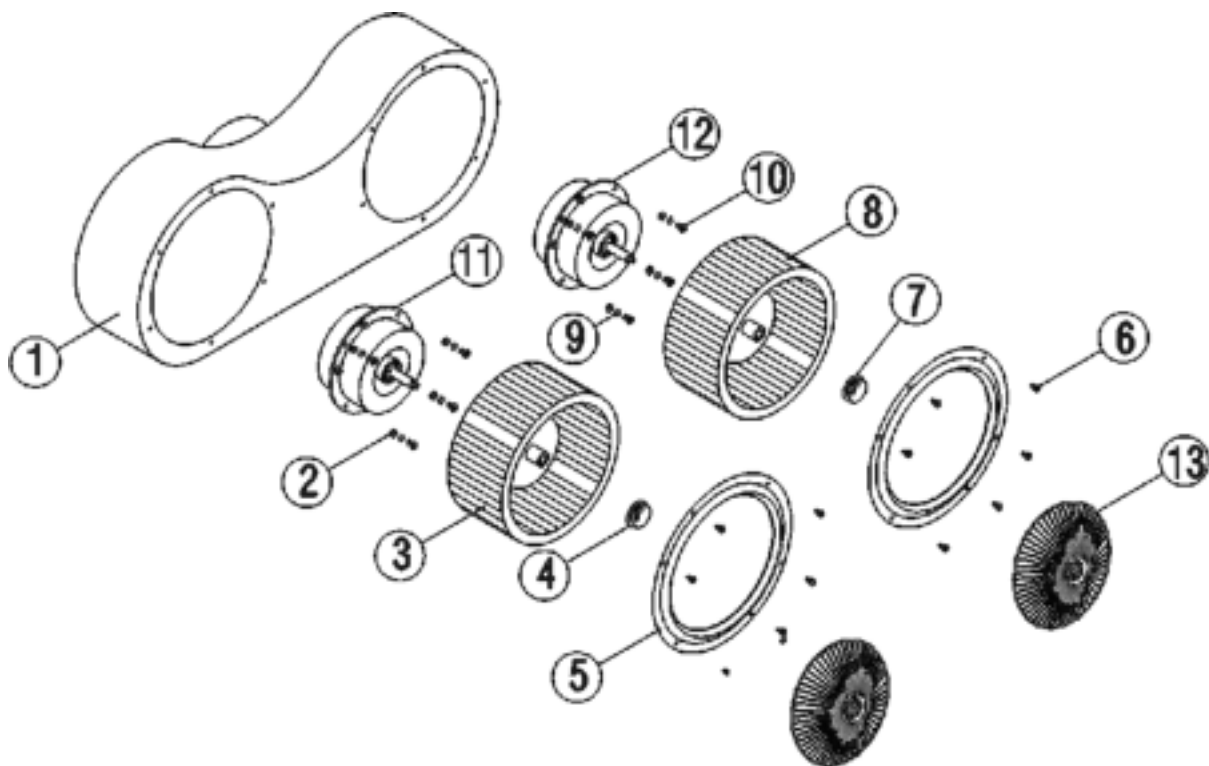
Afzuigkap montage:

Nr.	Beschrijving	Hoeveelheid
1	Montagebeugel afzuigkap	1
2	Afzuigkap	1
3	Licht	2
4	Bedieningspaneel	1
5	Oliekanaal	1
6	Montage ventilator (motor, ventilatorblad, beschermrooster en kooi)	1
7	Montage elektrische installatie	1
8	RVS afstandshouder	1 / (2 voor 42 & 48")
9	Keerplaatfilter	2 / (3 voor 48")
10	Stroomkabel	1



Montage ventilator:

Nr.	Beschrijving	Nr.	Beschrijving
1	Kooi	8	Rechter ventilatorblad
2	Schroefdop	9	Afdichting
3	Linker ventilatorblad	10	Schroeven (3/16" x 3/8")
4	Linker borgmoer	11	Linker motor
5	Luchtstroomrooster	12	Rechter motor
6	Schroeven (3/16" x 3/8")	13	Beschermrooster
7	Rechter borgmoer		



ONDERHOUD

VEILIGHEIDSWAARSCHUWING: Steek nooit uw hand in de buurt van de ventilator terwijl de ventilator in bedrijf is! Voor een optimale werking, reinig de afzuigkap en alle keerplaten/afstandstukken/filters/oliekanalen/oliereservoirs regelmatig. Regelmatige verzorging helpt het uiterlijk van de afzuigkap te behouden.

Reiniging Buitenoppervlakken:

- Reinig regelmatig met heet zeepsop en een schone katoenen doek. Gebruik geen bijtend of schurend schoonmaakmiddel (bijv. Comet Power Scrub®, EZ-Off®-ovenreiniger) of staalwol/schuursponsjes die krassen maken op het roestvrijstalen oppervlak en deze beschadigen. Gebruik voor zwaardere vuil vloeibare ontvetters zoals "Formula 409®" of "Fantastic®" merkreiniger.
- Als de kap er vlekkelig uitziet (roestvrijstalen afzuigkap), gebruik dan een reinigingsmiddel voor roestvrij staal om het oppervlak van de afzuigkap te reinigen. Zorg dat er geen reinigingsmiddel op of in het bedieningspaneel komt. Volg de aanwijzingen van de roestvrijstalen reiniger. **LET OP: Laat reiniger niet te lang op de kap zitten, omdat dit schade aan het oppervlak kan veroorzaken.** Gebruik een zachte handdoek om het reinigingsmiddel af te vegen, wrijf zachtjes eventuele hardnekkige vlekken weg. Gebruik een droge, zachte handdoek om de kap te drogen.
- Na het reinigen kunt u niet-schurende roestvrijstalen poetsmiddelen zoals 3M® of ZEP® gebruiken om het roestvrije staal glad te polijsten. Altijd voorzichtig wrijven, met schone katoenen doek en met de nerf mee.
- Laat resten NIET ophopen of op de kap achter.
- Gebruik GEEN gewoon staalwol of stalen borstels. Kleine stukjes staal kunnen aan het oppervlak hechten en roest veroorzaken.
- Laat zoutoplossingen, ontsmettingsmiddelen, bleekmiddelen of reinigingsmiddelen NIET gedurende langere tijd in contact met roestvrij staal blijven. Veel van deze middelen bevatten chemicaliën die schadelijk kunnen zijn. Spoel na blootstelling af met water en veeg droog met een schone doek.

Filters reinigen (keerplaat- of aluminium vetfilters):

BELANGRIJK: Laat olie uit oliereservoirs lopen voordat olie en restvloeistof overlopen!

- De metalen filters die door de fabriek zijn aangebracht, zijn bedoeld om resten en vet van het koken te filteren. Het hoeft niet regelmatig te worden vervangen, maar moeten wel schoon worden gehouden.
- Filters moeten na elke 30 uur gebruik worden gereinigd.
- Verwijder en reinig met de hand of vaatwasser. Sproei "Formula 409®" of een gelijkwaardig ontvettingsmiddel en laat het inwerken als het erg vervuild is. Droog de filters en installeer deze opnieuw voordat u de kap gebruikt.

Filters vervangen:

- Mochten aluminium vetfilters verslijten door ouderdom en langdurig gebruik, neem dan contact op met uw plaatselijke dealer voor vervangende filters. (Opmerking: vervang ook een beschadigd filter die geperforeerd is of een gebroken gaas of een gebroken of gebogen frame heeft.)

Vervangen van het lampje:

- Deze afzuigkap maakt gebruik van een LED-lamp (raadpleeg de juiste specificaties van de gekochte kap): LED 3W 12V
- Zorg dat de afzuigkap niet is aangesloten of schakel de stroomonderbreker UIT.
- Zorg ervoor dat de lichten koel genoeg zijn om aan te raken, draai de pijl op de binnenring voorzichtig gelijk op de buitenring waar OPEN staat. De binnenring gaat los en de lamp kan verwijderd worden. Installeer een nieuwe halogeenlamp en ga in omgekeerde volgorde te werk.
- Schakel de stroomonderbreker en afzuigkap AAN om te testen of het lampje werkt.





De gloeilamp vervangen met de Binnenringopener:

- Zorg dat de afzuigkap niet is aangesloten of schakel de stroomonderbreker UIT.
- Zorg ervoor dat de lichten koel genoeg zijn om aan te raken, draai met behulp van de binnenringopener de pijl op de binnenring voorzichtig met de pijl op de buitenring waar OPEN staat zoals weergegeven in figuur 1.
- De binnenring gaat los en de lamp kan verwijderd worden zoals weergegeven in afbeelding 2.



Figure 1.

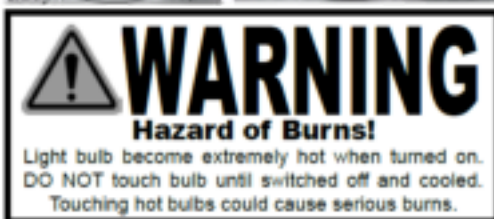


Figure 2.

- Installeer een nieuwe lamp en ga in omgekeerde volgorde te werk.
- Schakel de stroomonderbreker en afzuigkap AAN om te testen of het lampje werkt.

LED-lamp vervangen:

- Deze afzuigkap maakt gebruik van LED-verlichting: 3W Max 12V LED
- Zorg ervoor dat de afzuigkap niet is aangesloten of schakel de stroomonderbreker UIT en zorg dat de lichten koel genoeg zijn om aan te raken.
- Plaats een platte schroevendraaier tussen de lampbehuizing en de kap, wrik de lampbehuizing voorzichtig omhoog en zoek naar de metalen clip.
- Zet kracht op de metalen clip en trek de lamp naar buiten. Koppel de stroomkabel los en gooi de oude lamp weg.
- Ga omgekeerd te werk om een nieuwe halogeenlamp te installeren. Schakel de stroomonderbreker en afzuigkap AAN om te testen of het lampje werkt.



GARANTIE

SERVICE KRIJGEN ONDER GARANTIE:

Zorg dat u een bewijs van de originele aankoopdatum kan verstrekken.

Verstrek een origineel aankoopbewijs met datum (aankoopbewijs / factuur) om service onder de garantie te verkrijgen.

Eén jaar garantie op onderdelen:

Gedurende een jaar vanaf de datum van oorspronkelijke aankoop, zal uw lokale verkoper gratis, niet-verbruikbare vervangende onderdelen of componenten leveren die defect zijn geraakt door fabricagefouten. Onder voorbehoud van de hieronder beschreven voorwaarden en beperkingen, zal uw lokale verkoper, naar zijn keuze, onderdelen van zijn producten repareren of vervangen die gebreken vertonen als gevolg van onjuist vakmanschap of materialen. Gerepareerde onderdelen of vervangende producten worden geleverd door uw lokale verkoper op basis van vervanging en zullen nieuw of opgeknapt zijn om functioneel gelijkwaardig te zijn aan nieuw. De consument is verantwoordelijk voor alle verzendkosten. Verbruiksartikelen die niet onder deze garantie vallen, omvatten onder meer: gloeilampen, metalen, aluminium- en koolstoffilters.

Wie valt onder deze garantie:

Deze garantie wordt verstrekt voor de oorspronkelijke koper, voor producten die zijn gekocht voor normaal thuisgebruik.

Deze garantie komt te vervallen wanneer:

Het product is beschadigd door nalatigheid, onjuiste installatie, ongeval, misbruik, verkeerd gebruik, natuurramp, onvoldoende of overmatige elektrische voeding, abnormale mechanische of ecologische omstandigheden, of ongeautoriseerde demontage, reparatie, wijziging of niet-naleving van installatie-instructies. Wanneer het product commercieel wordt gebruikt of anders dan waarvoor het is bedoeld. Is beschadigd door onjuiste aansluiting op apparatuur van andere fabrikanten. Gerepareerd of aangepast is door iemand anders dan geautoriseerde tussenpersonen van uw lokale verkoper. Deze beperkte garantie is ook niet van toepassing op producten waarop de oorspronkelijke identificatie-informatie is gewijzigd, uitgewist of verwijderd, niet op de juiste manier is behandeld of verpakt of als tweedehands is verkocht.

Wat valt niet onder de garantie:

Verbruiksartikelen zoals gloeilampen, metalen filters en koolstoffilters. De natuurlijke slijtage van de afwerking en slijtage door onjuist onderhoud, gebruik van bijtende en schurende schoonmaakmiddelen, sponsjes en ovenreinigingsproducten. Schilfers, deuken of scheuren als gevolg van verkeerd gebruik, vrachtschade of onjuiste installatie. Schade aan het product veroorzaakt door een ongeluk, brand, overstroming of natuurramp. De fabrikant en/of distributeur/verkoper is niet aansprakelijk voor en dekt niet onder de garantie: verlies van eigendommen of kosten in verband met het verwijderen, onderhouden, installeren of vaststellen van de bron van problemen met dit product.

Deze garantie is geldig in het land van de oorspronkelijke aankoop in de detailhandel. Het is niet overdraagbaar en is alleen van toepassing op de oorspronkelijke koper en geldt niet voor de volgende eigenaars van dit product. Alle toepasselijke impliciete garanties, inclusief de garantie van verkoopbaarheid, zijn beperkt in duur tot een periode van uitdrukkelijke garantie zoals hierin bepaald, te beginnen met de datum van oorspronkelijke aankoop in de detailhandel en er zijn geen garanties, expliciet of impliciet, van toepassing op dit product daarna.

Voor garantieservice kunt u contact opnemen met uw lokale verkoper waar u dit product hebt gekocht. Bevestig de voorwaarden van het beleid van uw lokale verkoper voordat u contact opneemt. Meestal moet u productidentificatie-informatie, inclusief modelnummer en serienummer, bijvoegen met een gedetailleerde beschrijving van het probleem dat u ondervindt. U moet ook een bewijs van de datum van oorspronkelijke aankoop bijvoegen als bewijs dat het product binnen de toepasselijke garantieperiode valt.

Disclaimer

Inspecteer alle artikelen zorgvuldig op schade voordat u de levering accepteert. Let op eventuele schade op de vrachtbrief of het ontvangstbewijs van de vervoerder. Vraag naam en handtekening van de koerier en bewaar de kopie om uw claim te ondersteunen. Bij acceptatie van artikelen neemt de eigenaar de verantwoordelijkheid voor de veilige aankomst. Rapporteer schade aan de vervoerder en dien onmiddellijk een claim in. Als u dit nalaat, kan uw claim worden geweigerd. De vervoerder verstrekt de nodige formulieren voor het indienen van een claim.

Schade veroorzaakt tijdens het transport valt niet onder onze garantie. Neem contact met ons op om een verzekeringsclaim in te dienen.

Controleer de inhoud van de verpakking(en) zorgvuldig bij ontvangst! We moeten binnen vijf (5) dagen na ontvangst van uw levering op de hoogte worden gesteld van eventuele schade en/of ontbrekende onderdelen. Claims worden na vijf (5) dagen niet meer geaccepteerd. OPMERKING: Artikelen zijn grondig getest en zorgvuldig verpakt in onze fabriek voordat ze werden verzonden.

Producten moeten in goede staat worden geretourneerd met ALLE originele onderdelen en documentatie verpakt in ALLE originele dozen, opvullingen en verzenddozen. Voor alle goedgekeurde retourzendingen wordt een vergoeding van 15% in rekening gebracht voor herbevoorrading. Ruilen of retourneren wordt mogelijk niet geaccepteerd als er een verpakking ontbreekt.

Zorg ervoor dat u de kap vóór installatie op beschadigingen en defecten inspecteert. Uiterlijke gebreken van de kap gevonden na installatie en zonder afbreuk te doen aan de prestaties van de kap valt niet onder onze garantie voor retourzendingen of uitwisselingen. Voor servicebezoeken die niet onder de garantie vallen, worden servicekosten in rekening gebracht.

Vóór installatie: retourneren voor ruilen of vergoeding (zie hierboven voor aanvaardbare retourzendingen).

Na installatie: GEEN omruiling of vergoeding.

Contact met ons opnemen

Als u hulp nodig heeft, neem dan contact op met uw plaatselijke dealer. Gelieve uw bestelnummer en model van de afzuigkap bij de hand te hebben. Met deze informatie kunnen we beter op uw verzoek ingaan.

Als u vervangende onderdelen nodig heeft, raden we aan dat u alleen originele onderdelen gebruikt. Onze accessoires en onderdelen zijn speciaal ontwikkeld en ontworpen voor deze reeks afzuigkappen, elk wordt streng getest en garandeert het uiterste in duurzaamheid en betrouwbaarheid, voorzien van een fabrieksmatch, in de fabriek geïnstalleerd uiterlijk en functionaliteit op maat gemaakt voor elk individueel afzuigkapmodel.

Wichtiger Sicherheitshinweis

Lesen Sie alle Anweisungen, bevor Sie dieses Gerät installieren und in Betrieb nehmen

- Die Installation in dieser Anleitung richtet sich an qualifizierte Installateure, Servicetechniker oder Personen mit ähnlichem qualifiziertem Hintergrund. Die Installation und elektrische Verkabelung muss von qualifiziertem Fachpersonal und in Übereinstimmung mit allen anwendbaren Vorschriften und Normen, einschließlich der brandschutztechnischen Konstruktion, durchgeführt werden.
- Versuchen Sie NICHT, dieses Gerät selbst zu installieren. Bei der Installation des Gerätes können aufgrund mangelnder elektrischer und technischer Kenntnisse Verletzungen entstehen.
- Dunstabzugshaube kann sehr scharfe Kanten haben; bitte tragen Sie Schutzhandschuhe, wenn es notwendig ist, Teile für Installation, Reinigung oder Wartung zu entfernen.
- Die EIN-Schaltung eines beliebigen Schalters vor Abschluss der Installation kann zu einer Zündung oder einer Explosion führen.
- Aufgrund der Größe und des Gewichts dieser Dunstabzugshaube wird eine Installation mit zwei Personen empfohlen.

Um die Gefahr von Bränden, elektrischen Stößen oder Verletzungen von Personen zu minimieren:

- Nur für die allgemeine Belüftung verwenden. NICHT zum Absaugen von gefährlichen oder explosiven Stoffen und Dämpfen verwenden.
- Der Verbrennungsluftstrom, der für den sicheren Betrieb von Kraftstoffverbrennungsanlagen erforderlich ist, kann durch den Betrieb dieser Einheit beeinflusst werden. Befolgen Sie die Richtlinien und Sicherheitsstandards des Herstellers von Heizgeräten, wie sie von der Nationalen Brandschutzvereinigung (NFPA), der Amerikanischen Gesellschaft der Ingenieure für Heizung, Kühlung und Klimatisierung (ASHRAE) und den örtlichen Behörden veröffentlicht wurden.
- Schalten Sie vor der Wartung oder Reinigung des Geräts das Gerät AUS und verriegeln Sie das Bedienfeld, um zu verhindern, dass es versehentlich EIN-Geschaltet wird.
- Reinigen Sie regelmäßig fetthaltige Oberflächen. Um die Brandgefahr zu verringern und die Luft richtig zu verteilen, ist darauf zu achten, dass die Luft nach außen abgelassen wird. Entlüften Sie KEINE Abgase in Räume zwischen Wänden, Kriechräumen, Decken, Dachböden oder Garagen.
- Kanalventilatoren MÜSSEN immer nach draußen entlüftet werden.
- Verwenden Sie nur Metallkanäle und dieses Gerät MUSS geerdet werden.
- Für eine ordnungsgemäße Verbrennung und Abführung der Gase durch den Kanal ist ausreichend Luft erforderlich, um Rückströmungen zu vermeiden.
- Achten Sie beim Schneiden oder Bohren in Wand oder Decke darauf, dass elektrische Leitungen oder andere versteckte Gegenstände nicht beschädigt werden.
- Alle elektrischen Leitungen müssen ordnungsgemäß installiert, isoliert und geerdet sein.
- Alte Kanäle sollten gereinigt oder bei Bedarf ausgetauscht werden, um die Möglichkeit eines Fettbrandes zu vermeiden.
- Überprüfen Sie alle Verbindungen an den Kanälen auf korrekten Anschluss und alle Verbindungen sollten ordnungsgemäß verklebt sein.
- Verwenden Sie dieses Gerät nur in der vom Hersteller vorgesehenen Weise. Wenn Sie Fragen haben, wenden Sie sich an den Lieferanten.

Um das Risiko eines Fettbrandes auf dem Herd zu reduzieren:

- Halten Sie alle Lüfter, Leitbleche, Räume, Filter, Fetttunnel, Ölbehälter und fettthaltige Oberflächen sauber. Das Fett darf sich nicht auf Lüfter, Leitblech, Zwischenräumen, Filter, Fetttunnel und Ölbehälter ansammeln.
- Schalten Sie die Dunstabzugshaube immer ein, wenn Sie bei hoher Hitze kochen oder wenn Sie flammende Lebensmittel zubereiten.
- Verwenden Sie hohe Einstellungen am Herd nur bei Bedarf.
- Lassen Sie die Oberflächeneinheiten bei hohen Einstellungen niemals unbeaufsichtigt. Überkochen verursacht Rauchen und fettige Überläufe, die sich entzünden können. Erhitzen Sie Öle langsam bei niedrigen oder mittleren Temperaturen.
- Reinigen Sie den Lüfter regelmäßig.
- Verwenden Sie immer geeignetes Kochgeschirr und Utensilien in der richtigen Größe.
- Verwenden Sie immer Kochgeschirr, das der Größe des Oberflächenelements entspricht.

Um das Risiko von Verletzungen von Personen im Falle eines Fettbrandes auf dem Herd zu reduzieren:

- ERSTICKEN SIE FLAMMEN mit einem enganliegenden Deckel, Plätzchenblech oder Metalltablett und schalten Sie dann den Brenner aus. ACHTEN SIE DARAUF, VERBRENNUNGEN ZU VERMEIDEN. NEHMEN SIE NIEMALS EINE BRENNENDE PFANNE in die Hand - Sie könnten verbrannt werden. HALTEN SIE BRENNBARE ODER ENTZÜNDLICHE MATERIALIEN VON FLAMMEN FERN. Wenn die Flammen NICHT sofort erlöschen, EVAKUIEREN UND DIE FEUERWEHR ANRUFEN oder sofort den örtlichen Notdienst benachrichtigen.
- Verwenden Sie KEIN WASSER, einschließlich nasser Geschirrtücher oder Handtücher - eine heftige Dampfexplosion kann die Folge sein.
- Verwenden Sie einen Feuerlöscher NUR wenn:
- Sie wissen, dass Sie einen Feuerlöscher der Klassen A, B, C haben und Sie wissen bereits, wie man ihn bedient.
- Das Feuer klein ist und sich in dem Bereich befindet, in dem es ausgelöst wurde.
- Die Feuerwehr verständigt wurde.
- Sie das Feuer mit dem Rücken zu einem Ausgang bekämpfen können.

Um das Risiko von Verletzungen von Personen im Falle eines Gasaustritts zu reduzieren:

- Löschen Sie jegliche offene Flamme.
- Schalten Sie den Dunstabzugshaub ventilator oder eine andere Art von Ventilator NICHT EIN.
- Schalten Sie die Beleuchtung oder ein anderes Gerät NICHT EIN.
- Öffnen Sie alle Türen und Fenster, um das Gas zu zerstreuen. Wenn Sie immer noch Gas riechen, rufen Sie die Gasgesellschaft und die Feuerwehr an oder wählen Sie sofort Ihren örtlichen Notdienst.

Ihre Sicherheit und die Sicherheit anderer ist sehr wichtig. Wir haben in diesem Handbuch und auf Ihrem Gerät viele wichtige Sicherheitshinweise angegeben. Lesen und befolgen Sie immer alle Sicherheitshinweise. Alle Sicherheitshinweise zeigen Ihnen, was die potenzielle Gefahr ist, wie Sie die Verletzungsgefahr verringern können und was passieren kann, wenn die Anweisungen nicht befolgt werden.



Dies ist das Sicherheitswarnsymbol. Dieses Symbol weist Sie auf mögliche Gefahren hin, die Sie und andere verletzen können. Alle Sicherheitsmeldungen folgen dem Sicherheitswarnsymbol und dem Wort "WARNUNG".

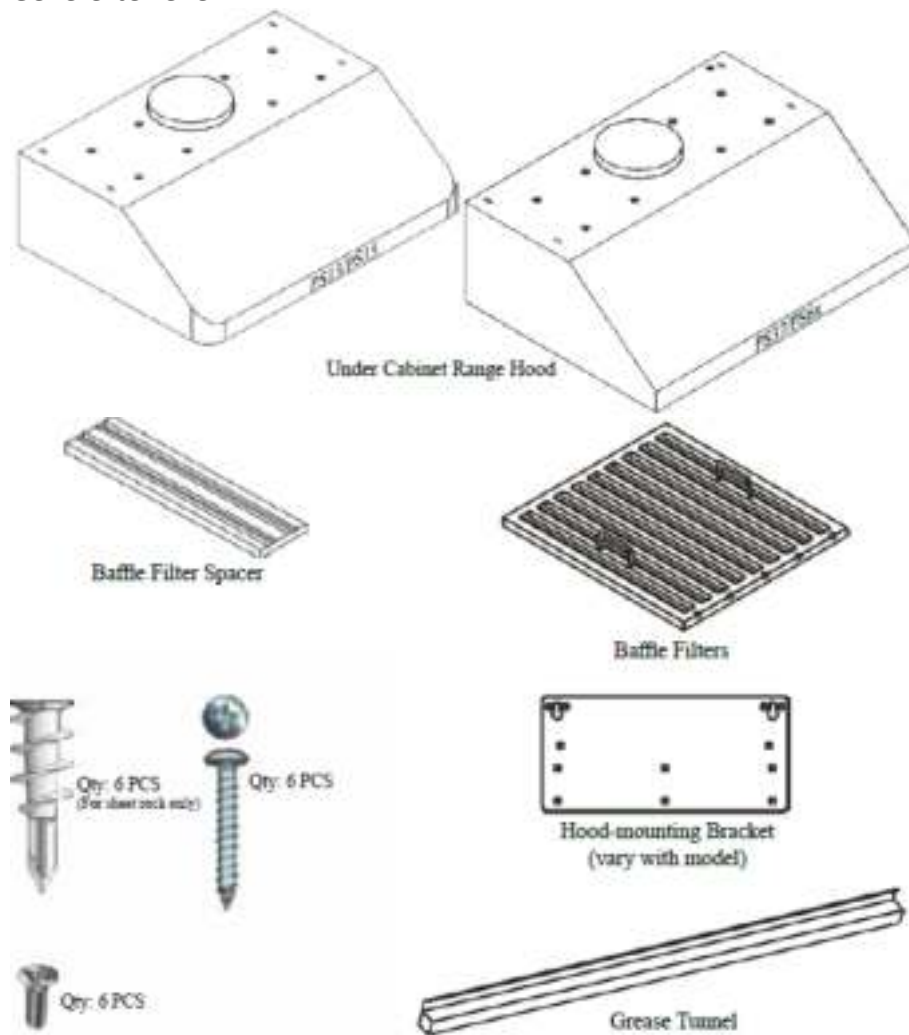
Der Hersteller und/oder Vertreiber/Wiederverkäufer lehnt jede Verantwortung für den Fall ab, dass die hierin enthaltenen Anweisungen für die Installation, Wartung und den bestimmungsgemäßen Gebrauch des Produkts nicht eingehalten werden. Der Hersteller und/oder Vertreiber/Wiederverkäufer lehnt ferner jede Verantwortung für fahrlässig verursachte Verletzungen ab und die Garantie des Gerätes erlischt automatisch durch unsachgemäße Wartung. Der Hersteller und/oder Vertreiber/Wiederverkäufer ist nicht verantwortlich für Schäden an persönlichen Gegenständen oder Immobilien oder Körperverletzungen, die direkt oder indirekt durch die Abzugshaube verursacht werden.

INSTALLATION

Benötigte Werkzeuge



Gelieferte Teile



Abzugsanforderungen

- Das Abzugssystem muss nach außen (Dach oder Seitenwand) führen.
- Schließen Sie das Abzugssystem NICHT in einem Dachgeschoss oder einem anderen geschlossenen Bereich ab.
- Verwenden Sie KEINE 4" (10,2 cm) Wäscherei-Wandkappen.
- Verwenden Sie nur Lüfter aus Metall/Aluminium. Es wird empfohlen, robuste Lüfter aus Metall/Aluminium zu verwenden.
- Verwenden Sie KEINE Kunststofflüfter.
- Halten Sie den Kanal immer sauber, um einen guten Luftstrom zu gewährleisten.
- Berechnen Sie die folgenden Werte vor der Installation:
 5. Abstand vom Boden bis zur Decke.
 6. Abstand zwischen dem Boden und Arbeitsplatte/Herd (empfohlen* 27" bis 30").
 7. Abstand zwischen Arbeitsplatte/Herd und Dunstabzugshaube.
 8. Höhe der Haube und der Kanalabdeckung.

Für den effizientesten und leisesten Betrieb:

- Es wird ein Abstand von 27" bis 30" zwischen der Oberseite des Ofens und der Unterseite der Dunstabzugshaube empfohlen*.
- Es wird empfohlen, die Dunstabzugshaube vertikal durch 20,3 cm (8") oder größere runde Lüftungskanäle aus Metall/Aluminium durch das Dach zu entlüften.
- Die Größe der Entlüftung sollte einheitlich sein.
- Verwenden Sie nicht mehr als drei 90°-Winkelstücke.
- Stellen Sie sicher, dass sich mindestens 61 cm (24") gerader Abzug zwischen den Winkeln befinden, wenn mehr als ein Winkelfeld verwendet wurde.
- Montieren Sie KEINE zwei Winkelstücke gemeinsam.
- Die Länge des Entlüftungssystems und die Anzahl der Winkel sollten auf ein Minimum reduziert werden, um eine effiziente Leistung zu gewährleisten.
- Das Abzugssystem muss über einen Dämpfer verfügen. Wenn die Dach- oder Wandkappe über einen Dämpfer verfügt, verwenden Sie KEINEN Dämpfer (falls mitgeliefert) auf der Oberseite der Dunstabzugshaube.
- Verwenden Sie Silberband oder Klebeband, um alle Verbindungen des Abzugssystems abzudichten.
- Verwenden Sie Abdichtungen, um die Außenwand- oder Dachöffnung um die Kappe herum abzudichten.

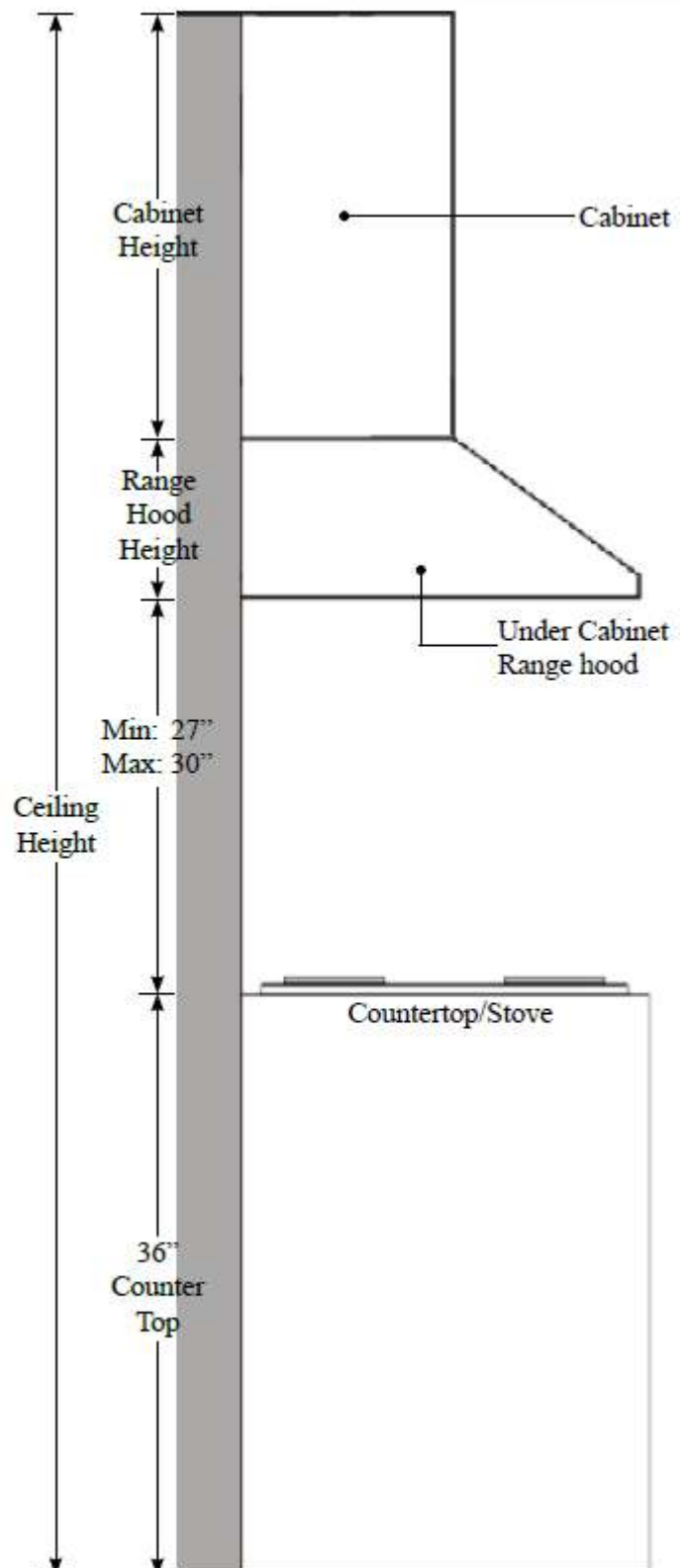
* Aufgrund unterschiedlicher Deckenhöhenkonfigurationen kann es vorkommen, dass die empfohlene Höhe nicht anwendbar ist.

Montagehöhen & Freiraum

WICHTIG:

- Mindestens 8" rund (Standard für diese Dunstabzugshaube) oder 3-1/4 x 10" rechteckiger Kanal (separat erhältlich) müssen verwendet werden, um einen maximalen Luftstrom zu gewährleisten.
- Verwenden Sie immer robuste Metall/Aluminium-Kanäle, falls vorhanden, um den Luftstrom beim Anschluss an den vorgesehenen Kanal zu maximieren.
- Bitte verwenden Sie die untenstehende *Kanallaufberechnung*, um den gesamten verfügbaren Kanallauf bei Verwendung von Winkeln, Übergängen und Kappen zu berechnen.
- Reduzieren Sie **IMMER**, wenn möglich, die Anzahl der Übergänge und Wendungen. Wenn ein langer Kanallauf erforderlich ist, vergrößern Sie die Kanalgröße von 8" auf 10". Wenn ein Reduzierer verwendet wird, installieren Sie ein langes Reduzierstück anstelle eines flachen Reduzierstücks. Die Reduzierung der Kanalgröße begrenzt den Luftstrom und verringert ihn, wodurch die Kanalgröße so weit wie möglich von der Öffnung entfernt reduziert wird.
- Wenn Wendungen oder Übergänge erforderlich sind: So weit wie möglich vom Öffnen entfernt und so weit wie möglich zwischen zwei Punkten installieren.
- Die minimale Montagehöhe zwischen Ofenober- und -unterseite sollte nicht weniger als 27 Zoll* betragen.
- Die maximale Montagehöhe zwischen Ofenober- und -unterteil sollte nicht höher als 30 Zoll* sein.
- Es ist wichtig, die Haube auf die richtige Montagehöhe zu montieren. Zu niedrig montierte Hauben können zu Hitzeschäden und Brandgefahr führen; zu hoch montierte Hauben sind schwer zugänglich und verlieren ihre Leistung und Effizienz.
- Wenn verfügbar, beachten Sie auch die Höhenabstandsanforderungen des Herdplattenherstellers und die empfohlene Haubenmontagehöhe über dem Bereich.

* Aufgrund unterschiedlicher Deckenhöhenkonfigurationen kann es vorkommen, dass die empfohlene Höhe nicht anwendbar ist.



Minimale Kanalgröße:

- Rund - mindestens 8"
- Rechteckig - mindestens 3-1/4 x 10" (erfordert einen 8" auf 3-1/4x10" Adapter, nicht im Lieferumfang enthalten)

Berechnung der Länge des Lüftungssystems

Um die Länge des benötigten Systems zu berechnen, müssen Sie die entsprechenden Feet für jedes im System verwendete Entlüftungselement vom empfohlenen maximalen Kanallauf abziehen.

Kanallaufberechnung	
Empfohlener Maximallauf	
8" oder 3-1/4 x 10" Kanal	50 ft
Lüftungsstückabzug	
Alle 90° genutzte Winkel	9 ft
Alle 45° genutzte Winkel	5 ft
Alle 7" bis 3/14 x 10" genutzte Übergänge	7 ft
Seitenwandkappe mit Dämpfer	0 ft
Dachkappe	0 ft

Beispiel für eine Kanallaufberechnung:

Eine Dachkappe, zwei 90° Winkel und ein 45° Winkel werden verwendet:

$0ft + 9ft + 9ft + 5ft = 23ft$ benötigt.

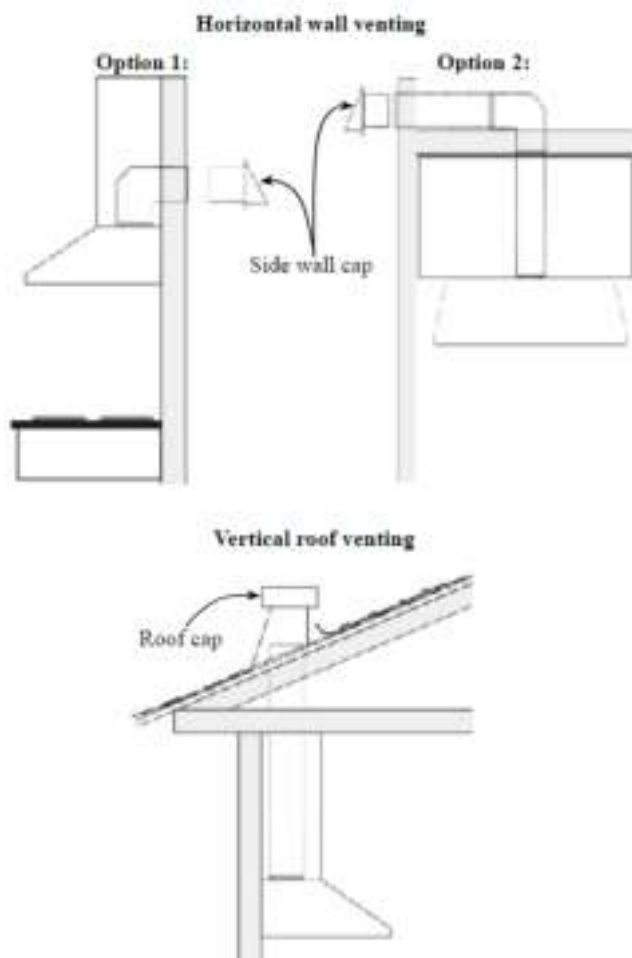
Ziehen Sie 23ft von 50ft ab, 27ft maximal sind für den geraden Kanallauf verfügbar.

Lüftungsmethoden

- Diese Dunstabzugshaube ist werkseitig für die Entlüftung durch das Dach oder die Wand eingestellt.
- Die Lüftung kann entweder durch das Dach oder durch die Wand erfolgen. Um durch eine Wand zu entlüften, wird ein 90° Winkel benötigt.

WICHTIG:

- Niemals Kanäle oder Abluft in Räume zwischen Wänden, Kriechräumen, Decken, Dachböden oder Garagen leiten. Alle Abluft muss nach außen geführt werden.
- Verwenden Sie nur Metall/Aluminium-Kanäle.
- Befestigen Sie alle Verbindungen mit Blechschrauben und kleben Sie alle Verbindungen mit zertifiziertem Silberband oder Kanalband.
- Verwenden Sie Abdichtungen, um die Außenwand- oder Dachöffnung um die Kappe herum abzudichten.



Elektrische Anforderungen

WICHTIG: Beachten Sie alle geltenden Gesetze und Verordnungen.

(Bitte wenden Sie sich an einen qualifizierten Elektriker für 220 Volt 50 Hz Spannung)

Es liegt in der Verantwortung des Kunden:

- Einen qualifizierten Elektroinstallateur zu kontaktieren.
- Um sicherzustellen, dass die elektrische Installation angemessen ist und den Anforderungen des nationalen Elektrocodes, ANSI/NFPA 70 - neueste Ausgabe* oder CSA-Normen C22 entspricht. 1-94, Kanadischer Elektrokodex, Teil 1 und C22. 2 Nr. 0-M91 - neueste Ausgabe** und alle lokalen Vorschriften und Verordnungen.

Wenn die Kodexe es zulassen und ein separates Erdungskabel verwendet wird, wird empfohlen, dass ein qualifizierter Elektriker feststellt, dass der Bodenweg ausreichend ist.

Eine 120-Volt-, 60 Hz, nur AC- und abgesicherte Stromversorgung ist in einem separaten 15-Ampere-Stromkreis erforderlich, der auf beiden Seiten der Leitung abgesichert ist.

NICHT an einer Gasleitung erden.

Wenden Sie sich an einen qualifizierten Elektriker, wenn Sie nicht sicher sind, ob die Dunstabzugshaube ordnungsgemäß geerdet ist.

Keine Sicherung im Neutralleiter- oder Erdungskreis verwenden.

WICHTIG: Bewahren Sie diese Installationsanleitung für den Einsatz durch den Elektroprüfer auf.

Die Dunstabzugshaube darf nur mit Kupferdraht/Stecker verbunden werden.

Die Dunstabzugshaube sollte direkt mit dem abgesicherten Trennschalter (oder Leistungsschalter) über ein flexibles, verstärktes oder nichtmetallisches Kupferkabel verbunden werden. An jedem Ende des Stromversorgungskabels muss eine Zugentlastung nach U.L. - oder C.S.A. - aufgeführt sein.

Die Kabelquerschnitte (nur Kupferkabel) und Anschlüsse müssen mit der auf dem Typenschild angegebenen Nennleistung des Geräts übereinstimmen. Die Kabelquerschnitte müssen den Anforderungen des nationalen elektrischen Codes ANSI/NFPA 70 - neueste Ausgabe* oder den CSA-Normen C22 entsprechen. 1-94, Kanadischer Elektrischer Code Teil 1 und C22.

2 Nr. 0-M91 - neueste Ausgabe** und alle lokalen Vorschriften und Verordnungen. Ein in den U.L. - oder C.S.A. - gelisteter Leitungsverbinder

muss an jedem Ende des Stromversorgungskabels (an der Dunstabzugshaube und am Anschlusskasten) vorgesehen sein).

Kopien der aufgeführten Normen sind erhältlich bei:

* Nationale Brandschutzvereinigung

Batterymarch Park

Quincy, Massachusetts 02269

** CSA International

8501 East Pleasant Valley Road (East Pleasant Valley Road)

Cleveland, Ohio 44131-5575

Vorbereitung

Fortgeschrittene Vorbereitungen:

- Machen Sie sich mit den Bedienelementen der Dunstabzugshaube vertraut, indem Sie den Abschnitt über die *Bedienung der Dunstabzugshaube* auf Seite 56 lesen.
- Stellen Sie die Dunstabzugshaube auf eine ebene, stabile Fläche. Schließen Sie die Dunstabzugshaube an eine dafür vorgesehene Standardsteckdose an (die passende Spannung dieses Gerätes entnehmen Sie bitte dem Typenschild) und schalten Sie die Dunstabzugshaube ein. Überprüfen Sie alle Funktionen der Dunstabzugshaube, indem Sie auf den Abschnitt *Dunstabzugshaubenbetrieb*, auf Seite 56 lesen.
- Stellen Sie alle gelieferten Teile und die benötigte Hardware auf eine ebene, stabile Unterlage und überprüfen Sie die Existenz aller auf Seite 48 aufgeführten Lieferteile.
- Entfernen Sie vorsichtig die weiße Kunststoffschutzschicht von der Dunstabzugshaube.



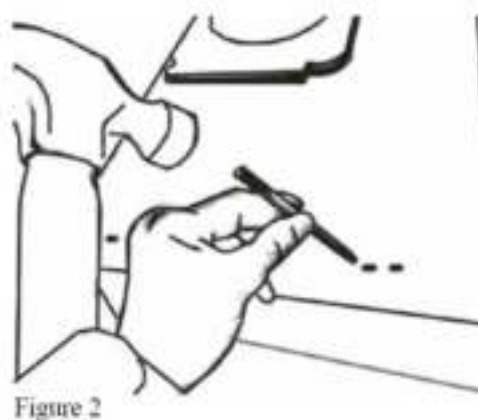
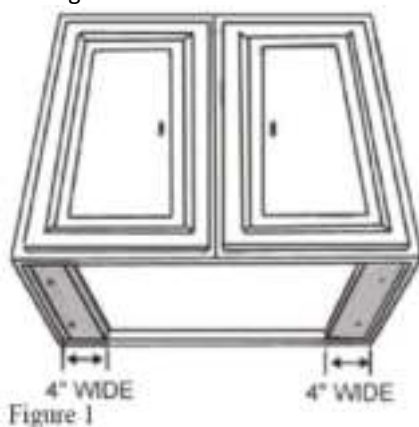
Vorbereitungen:

HINWEIS: Um Schäden an Ihrer Haube zu vermeiden, verhindern Sie, dass Fremdkörper in die Entlüftungsöffnung gelangen.

- Entscheiden Sie sich für die Lage des Entlüftungsrohres von der Haube nach außen. Siehe *Lüftungsmethoden* auf der Seite 51.
- Ein gerader, kurzer Lüfterlauf ermöglicht es der Haube, effizienter zu arbeiten.
- Versuchen Sie Übergänge, Winkelstücke und lange Läufer möglichst zu vermeiden. Dies kann die Leistung der Haube beeinträchtigen.
- **WICHTIG:** Entfernen Sie die weiße Kunststoffschutzschicht von der Haube, falls vorhanden.
- Verwenden Sie Silberband oder Klebeband, um Verbindungen zwischen den Rohrstücken abzudichten.
- Für die Montage unter dem Schrank mit versenktem Boden befestigen Sie auf jeder Seite 48 Zoll breite Holzabdeckstreifen (nicht mitgeliefert). Siehe Abbildung 1.
- Erstellen Sie anhand der Referenzen in den *Abmessungen und Diagrammen* auf Seite 59 eine Zugangsöffnung für elektrische Leitungen und Haubenabsaugung unter dem Schrank.

ACHTUNG: Wenn für die Installation der Haube ein Verschieben des Kochfeldes erforderlich ist, schalten Sie den Strom am Hauptschaltkasten ab. SCHALTEN SIE DAS GAS AB, BEVOR SIE EINEN GASHERD BEWEGEN.

- Punktieren Sie die Ausbrechlöcher (zur Montage unter dem Schrank) auf der Haube wie in Abbildung 2 dargestellt.
- Befestigen Sie bei Bedarf zwei Gummiständer mit 3M Klebebändern an den hinteren Ecken der Haube.

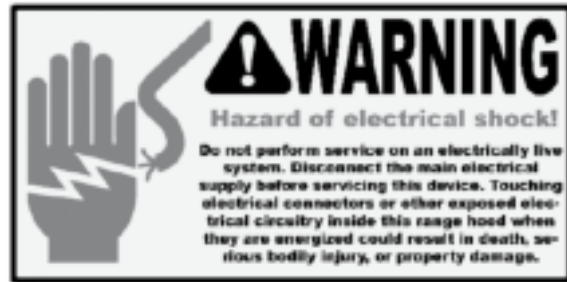


Installation

Installationen (Teile siehe Seite 48): Messen Sie den Abstand zwischen der Oberseite des Herdes und der Unterseite der Dunstabzugshaube. Ein Abstand von 27" bis 30" wird empfohlen*.

*Aufgrund unterschiedlicher

Deckenhöhenkonfigurationen ist die empfohlene Höhe möglicherweise nicht anwendbar.



1. Sie haben **zwei Möglichkeiten** (A oder B), diese Dunstabzugshaube zu montieren:

A. Fahren Sie fort, wenn Sie diese Dunstabzugshaube ohne Verwendung der Haubenhalterung montieren möchten.

1. Verwenden Sie die Hinweise in *Montagehöhen & Freiraum* auf Seite 50 und *Abmessungen und Diagrammen* auf Seite 59, um die Haube unter dem Schrank zu zentrieren und mit der Vorderseite des Schrankes zu verbinden.

2. Ziehen Sie elektrische Kabel durch die Öffnung des Schrankzugangs und zentrieren Sie die Haube unter dem Schrank.

3. Setzen Sie von der Innenseite der Haube aus Schrauben in die genaue Mitte jeder Aussparung und befestigen Sie sie am Schrankboden. Ziehen Sie alle Schrauben bis zum Anschlag an. Seien Sie vorsichtig bei der Verwendung von Elektroschraubern, da es zu Schäden an der Dunstabzugshaube kommen kann. Überspringen Sie Teil B unten und fahren Sie mit Schritt 2 fort.

VORSICHT: Vergewissern Sie sich, dass die Dunstabzugshaube gesichert ist, bevor Sie sie loslassen!

B. Fahren Sie fort, wenn Sie diese Dunstabzugshaube mit der mitgelieferten Haubenhalterung montieren möchten.

1. Verwendung von Referenzen in *Montagehöhen & Freiraum* auf Seite 50 und *Abmessungen und Diagrammen* auf Seite 59, markieren Sie den Nivellierpunkt der Haube. Positionieren Sie zwei Befestigungsschrauben an der Wand, wobei Sie 1/8" Abstand von der Wand lassen. Die Montage der Haube an Wandbolzen oder Hölzern wird dringend empfohlen.

2. Befestigen Sie die Halterung für die Haubenmontage an der Rückseite der Haube mit sechs Schrauben, wie in der Abbildung 3 gezeigt.

3. Punktieren Sie das durchbohrte Drahtzugangsloch auf der Rückseite der Haube und ziehen Sie die elektrischen Kabel durch, wie in Abbildung 4 dargestellt.

4. Richten Sie die Halterung für die Haubenmontage auf die Schrauben an der Wand aus und haken Sie die Haube wie in Abbildung 5 gezeigt ein. Ziehen Sie die Schrauben an, um die Haube an der Wand zu befestigen.

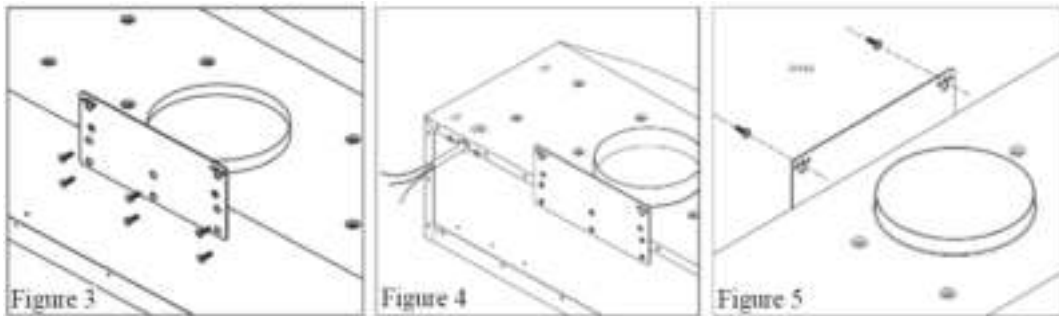
VORSICHT: Vergewissern Sie sich, dass die Dunstabzugshaube gesichert ist, bevor Sie sie loslassen!

2. Aus Sicherheitsgründen sind durch die Rückseite der Haube vorgebohrte Montagelöcher vorgesehen. Für eine sicherere Installation verwenden Sie so viele Befestigungslöcher wie nötig, um sie von der Innenseite der Haube aus zu sichern.

3. Verwenden Sie ein 8" Rundstahlrohr (beachten Sie die Bauvorschriften in Ihrer Region), um die Absauganlage an der Haube mit dem darüber liegenden Kanal zu verbinden. Verwenden Sie Silberband oder Klebeband, um alle Verbindungen sicher und luftdicht zu machen. Siehe Abbildung 6.

SICHERHEITSWARNUNG: Stromschlaggefahr. Diese Dunstabzugshaube muss ordnungsgemäß geerdet sein. Stellen Sie sicher, dass dies durch einen qualifizierten Elektriker in Übereinstimmung mit allen geltenden nationalen und lokalen Elektrovorschriften geschieht. Schalten Sie vor dem Anschließen der Kabel die Stromversorgung an der Bedientafel aus und verriegeln Sie die Bedientafel, um zu verhindern, dass die Stromversorgung versehentlich eingeschaltet wird.

4. Schließen Sie die Dunstabzugshaube an eine dafür vorgesehene Standardsteckdose an oder trennen Sie den Stecker und verbinden Sie drei Drähte (schwarz, weiß und grün) mit den Hausleitungsdrähten und schließen Sie sie mit Kabelsteckverbindern ab.

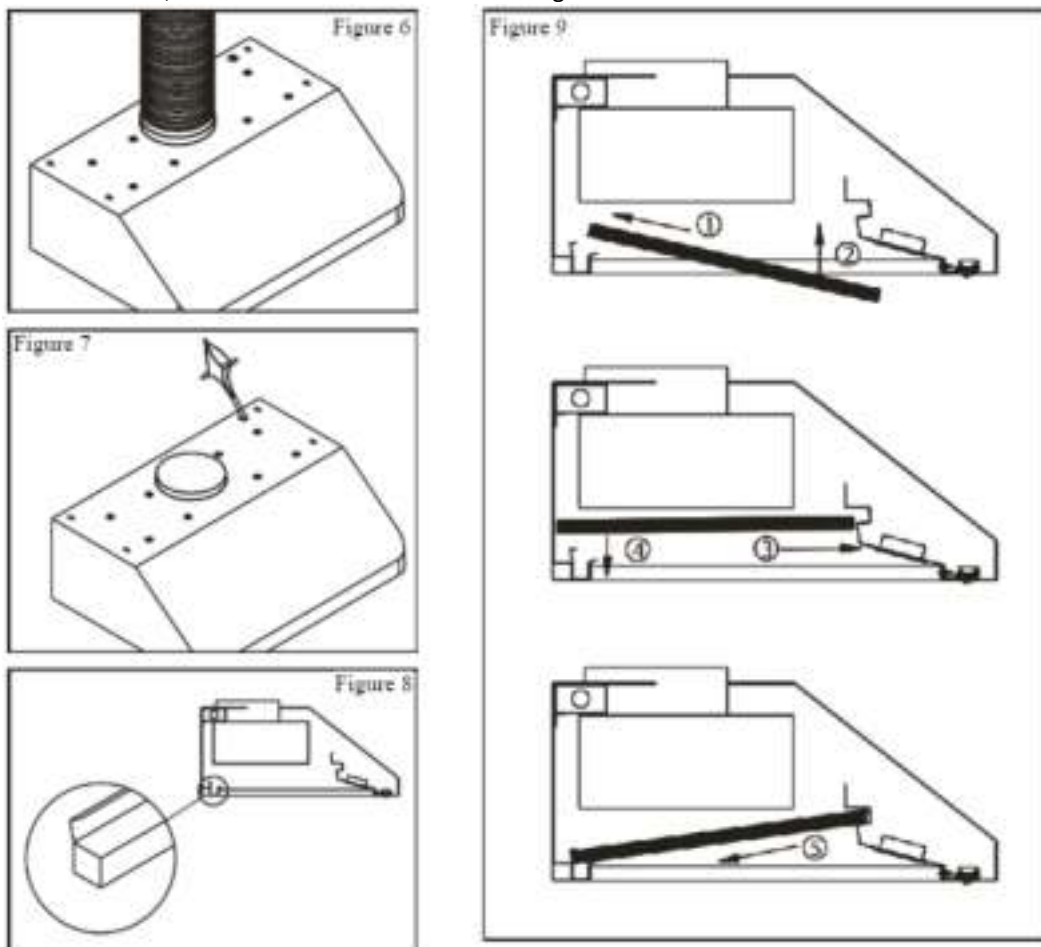


5. Bewahren Sie überschüssige Kabel im Schaltkasten auf.

6. Öltunnel in die Aussparung nahe der Rückseite der Haube einführen. Siehe Abbildung 8.

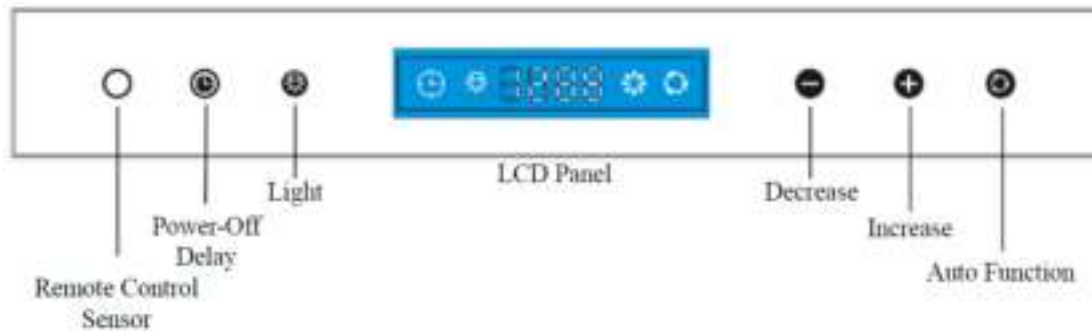
7. Zur Installation von Prallfiltern und Abstandshaltern aus Edelstahl siehe die folgenden fünf Schritte sind in Abbildung 9 dargestellt:

1. Winkeln Sie den Prallfilter zur Rückseite der Haube.
 2. Schieben Sie den Prallfilter bis auf ein nahezu ebenes Niveau.
 3. Schieben Sie es nach vorne in die Vertiefung hinter der Vorderseite der Haube.
 4. Den Prallfilter absenken.
 5. Zurückschieben, bis er in die Ruheposition passt.
8. Wiederholen Sie Schritt 7, um alle Prallfilter und rostfreien Abstandshalter zu installieren.
9. Schalten Sie das Gerät im Bedienfeld EIN. Überprüfen Sie alle Leuchten und Lüfterfunktionen.
10. Achten Sie darauf, dass Sie diese Installationsanleitung für den Hausbesitzer aufbewahren.



Bedienung der Dunstabzugshaube

Bedienfeld-Layout und Schaltflächen-Konfigurationen:



Zusätzlich zur Fernbedienung ist diese Dunstabzugshaube mit einem Hitzesensor ausgestattet, der sich bei der ersten elektrischen Aktivierung der Dunstabzugshaube innerhalb von 5 Sekunden selbst kalibriert und bei erfolgter Selbstkalibrierung piept. Um Energie zu sparen, schaltet sich das LCD-Feld nach 5 Sekunden Inaktivität automatisch aus.

Einstellen der hitzeempfindlichen Auto-Geschwindigkeit (HSAS) Funktion:

- Drücken Sie die *Auto-Funktionstaste*, um den Auto-Modus ein- und auszuschalten. Das Auto-Funktionssymbol wird auf dem LCD-Bildschirm angezeigt, wenn der Auto-Modus eingeschaltet ist.
- Halten Sie die Auto-Funktionstaste gedrückt, um in den Temperatureinstellmodus zu gelangen, während die Dunsthaube ausgeschaltet ist. Drücken Sie die Taste Erhöhen oder Verringern, um den Vergleichstemperaturwert zwischen dem internen und externen Wärmesensor von 7°F bis 20°F einzustellen. Der Temperatureinstellmodus wird nach 5 Sekunden Inaktivität automatisch beendet.
- Während die Dunstabzugshaube ausgeschaltet ist und die Auto-Funktion aktiviert ist, schaltet sich das Gebläse automatisch auf seine höchste Drehzahl ein, wenn die Innentemperatur viermal über der Außentemperatur liegt. Anschließend passt es die Drehzahlstufe (zwischen den Drehzahlstufen F4 bis F1) automatisch an die erfasste Temperatur zwischen den Sensoren an (4-mal zu 1-mal). Die Geschwindigkeitsstufe kann auch manuell durch Drücken der Taste *Erhöhen* oder *Verringern* geändert werden und die Auto-Funktion wird nach 2 Minuten wieder aktiviert. Das Gebläse kann NUR MANUELL ausgeschaltet werden oder Sie können die Ausschaltverzögerungsfunktion aktivieren.

Aktivierung der normalen Gebläsefunktion:

- Drücken Sie bei ausgeschalteter Dunstabzugshaube die Taste Increase oder Decrease, um das Gebläse zu starten. Drücken Sie die Increase Taste, um die Gebläsedrehzahl (F1 bis F4) zu erhöhen, wie im LCD-Feld angezeigt. Die Taste Increase schaltet die Gebläseeinstellungen von Aus (00), Ruhiglauf (F1), Niedriglauf (F2), Mittellauf (F3) auf Hochlauf (F4) um.
- Drücken Sie bei eingeschalteter Dunstabzugshaube und laufendem Gebläse die Taste Decrease, um die Gebläsedrehzahl (F4 bis F1) zu verringern, wie im LCD-Feld angezeigt. Die Decrease Taste setzt das Gebläse von hoher Drehzahl (F4) auf mittlere Drehzahl (F3), niedrige Drehzahl (F2), ruhige Drehzahl (F1) auf Aus (00).

Aktivierung der Lichtfunktion:

- Drücken Sie die Licht-Taste einmal, um das Licht einzuschalten, und erneut, um das Licht auszuschalten.

VORSICHT: Berühren Sie die Lichter NICHT, bis sie ausgeschaltet und abgekühlt sind.

Aktivierung der Abschaltverzögerungsfunktion:

- Drücken Sie bei eingeschalteter Dunstabzugshaube und laufendem Gebläse die Taste "Power-Off Delay", um die Verzögerungszeit zu aktivieren, und das Symbol "Power-Off Delay" erscheint im LCD-Feld. Stellen Sie die gewünschte Verzögerungszeit durch Drücken der Taste Erhöhen oder Verringern (mindestens 1 Minute bis maximal 15 Minuten) ein. Der Timer beginnt sofort mit dem Countdown, wenn er 0 erreicht, schaltet sich das Gebläse ab.

Einstellen der Uhrfunktion:

- Drücken Sie bei ausgeschalteter Dunstabzugshaube einmal die Taste Power-off Delay, um in den Einstellmodus der Uhr zu gelangen, und drücken Sie die Taste Increase oder Decrease, um die Stunde einzustellen. Drücken Sie die Taste Power-off Delay erneut, um die Min. einzustellen. Drücken Sie die Taste Power-off Delay erneut, um den Einstellmodus der Uhr zu verlassen.

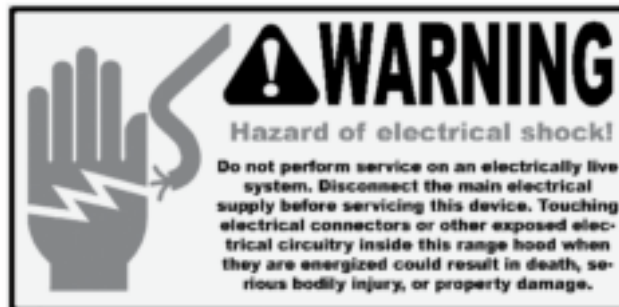
Fernsteuerungssensor:

- Der Fernsteuerungssensor empfängt ein Infrarot-(IR)-Signal von der Fernsteuerung. Die maximale Entfernung für die IR-Datenübertragung beträgt 3 Meter (10 ft.) und erfordert eine direkte Sichtverbindung. Die Übertragungsdistanz kann je nach Temperatur und Zustand der Batterie der Fernsteuerung variieren.

Hinweis: Die Lichteinstellungen sind unabhängig von anderen Einstellungen (einschließlich der Ausschaltverzögerung) und die Beleuchtung muss manuell ein- oder ausgeschaltet werden.

GEBRAUCH UND PFLEGE

Fehlerbehebung



Wenn die Dunstabzugshaube oder das Halogenlicht nach der Installation nicht funktioniert:	<ul style="list-style-type: none"> • Überprüfen Sie, ob die Dunstabzugshaube eingesteckt ist, stellen Sie sicher, dass die gesamte Stromversorgung wieder eingeschaltet, gesichert und nicht durchgebrannt ist und alle elektrischen Leitungen ordnungsgemäß angeschlossen sind. • Tauschen Sie die Leuchtenbaugruppe gegen funktionierende aus, um festzustellen, ob sie durch defekte Glühbirnen verursacht wird. Siehe <i>Auswechseln der Glühbirnen</i> auf Seite 63/64.
Die Dunstabzugshaube vibriert, wenn das Gebläse eingeschaltet ist:	<ul style="list-style-type: none"> • Die Dunstabzugshaube hat möglicherweise keine
Das Gebläse oder der Ventilator scheint schwach zu sein:	<ul style="list-style-type: none"> • Überprüfen Sie, ob die verwendete Kanalgröße mindestens 8" oder 3-1/4 x 10" beträgt. Die Dunstabzugshaube wird bei unzureichender Kanalgröße NICHT effizient funktionieren. Zum Beispiel: 10" Kanal über 8" Loch und lose befestigt. • Überprüfen Sie, ob der Kanal verstopft ist oder ob die Klappeneinheit (halbrunde Klappe) nicht korrekt eingebaut ist oder sich richtig öffnet. Ein engmaschiges Netz an einer Seitenwandklappeneinheit kann ebenfalls zu einer Beeinträchtigung des Luftstroms führe.
Die Lichter funktionieren, aber das Gebläse dreht sich überhaupt nicht, bleibt stecken oder klappert.	<ul style="list-style-type: none"> • Das Gebläse kann aufgrund von Transportschäden blockiert sein oder den Boden abschaben. Bitte kontaktieren Sie uns umgehend.
Die Haube lüftet nicht richtig:	<ul style="list-style-type: none"> • Vergewissern Sie sich, dass der Abstand zwischen der Oberseite des Herdes und der Unterseite der Haube innerhalb* 27" und 30" liegt. *Aufgrund unterschiedlicher Deckenhöhenkonfigurationen ist die empfohlene Höhe möglicherweise nicht anwendbar. • Reduzieren Sie die Anzahl der Winkel und die Länge der Kanäle. Überprüfen Sie, ob alle Verbindungen richtig angeschlossen, abgedichtet und verklebt sind. • Vergewissern Sie sich, dass das Gerät mit hoher Geschwindigkeit für intensives Kochen eingeschaltet ist.

Gebrauchs- und Pflegehinweise

Betrieb:

- Lesen und verstehen Sie alle Anweisungen und Warnungen in dieser Anleitung, bevor Sie das Gerät in Betrieb nehmen. Bewahren Sie diese Anleitung zum späteren Nachschlagen auf.
- Lassen Sie Sicherheitsgitter und Filter immer an Ort und Stelle. Ohne diese Komponenten könnten sich Haare, Finger und lose Kleidung an einem Gebläse verfangen.
- Entsorgen Sie NIEMALS Zigarettenasche, entzündliche Stoffe oder Fremdkörper über das Gebläse.
- Lassen Sie den Kochvorgang NIEMALS unbeaufsichtigt. Beim Frittieren kann Öl in der Pfanne leicht überhitzen und Feuer fangen. Das Risiko der Selbstverbrennung ist höher, wenn das Öl mehrfach verwendet wurde.
- Kochen Sie NIEMALS auf "offenen" Flammen unter der Dunstabzugshaube. Überprüfen Sie die Fritteusen während des Gebrauchs: Überhitztes Öl kann brennbar sein.

Reinigung:

- Die Sättigung von fettigen Rückständen im Gebläse und in den Filtern kann zu einer erhöhten Entflammbarkeit führen. Halten Sie das Gerät stets sauber und frei von Fett und Rückständen, um mögliche Brände zu vermeiden.
- Die Filter müssen regelmäßig gereinigt werden und dürfen keine Garrückstände aufweisen (siehe Reinigungshinweise auf Seite 63). Alte und abgenutzte Filter müssen sofort ausgetauscht werden.
- Betreiben Sie KEINE Gebläse, wenn die Filter entfernt sind. Demontieren Sie niemals Teile zur Reinigung ohne entsprechende Anweisungen. Es wird empfohlen, die Demontage nur von qualifiziertem Personal durchführen zu lassen. Lesen und verstehen Sie alle Anweisungen und Warnungen in diesem Handbuch, bevor Sie fortfahren.

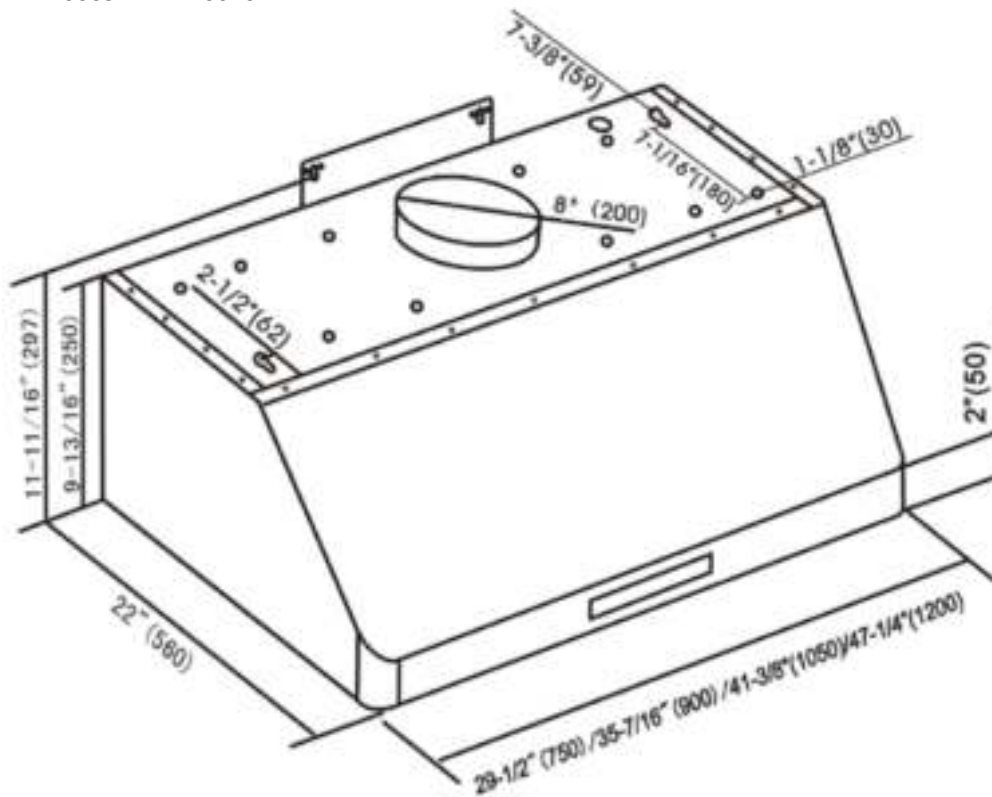
Technische Daten

Technische Daten ³ :	
Gehäuse-Design	Nahtloser Edelstahl, satiniert
Leistungsangabe	220V/50Hz
Allgemeine Eingangsleistung	240W + (# der Leuchten x Leistung)
Motor-Eingangsleistung	240W (120W + 120W)
Ampere	3A
Stufen der Drehzahlregelung	4 Stufen
Luftstrom (Q/L/M/H)	385CFM / 490CFM / 615CFM / 900CFM / 900CFM
Geräuschpegel (Q/L/M/H)	1.5Sone(46dB) / 3.5Sone(58dB) / 5.3Sone(64dB) / 7.5Sone(69dB)
Anzahl der Motoren	2 Motoren
Motortyp	Einkammer Ultra Leise
Ventilatorart	Zentrifugaler Drehkäfig
Steuerungsart	Touch Sensitive elektronische Steuertafel mit Hitzesensor und Fernbedienung
Filtertyp	Prallfilter aus Edelstahl
Beleuchtung	LED 3W 12V
Abzugsgröße	Oberseite, 8 Zoll rund
Störungsschutz	Hochfrequenzstörungsgeschützt

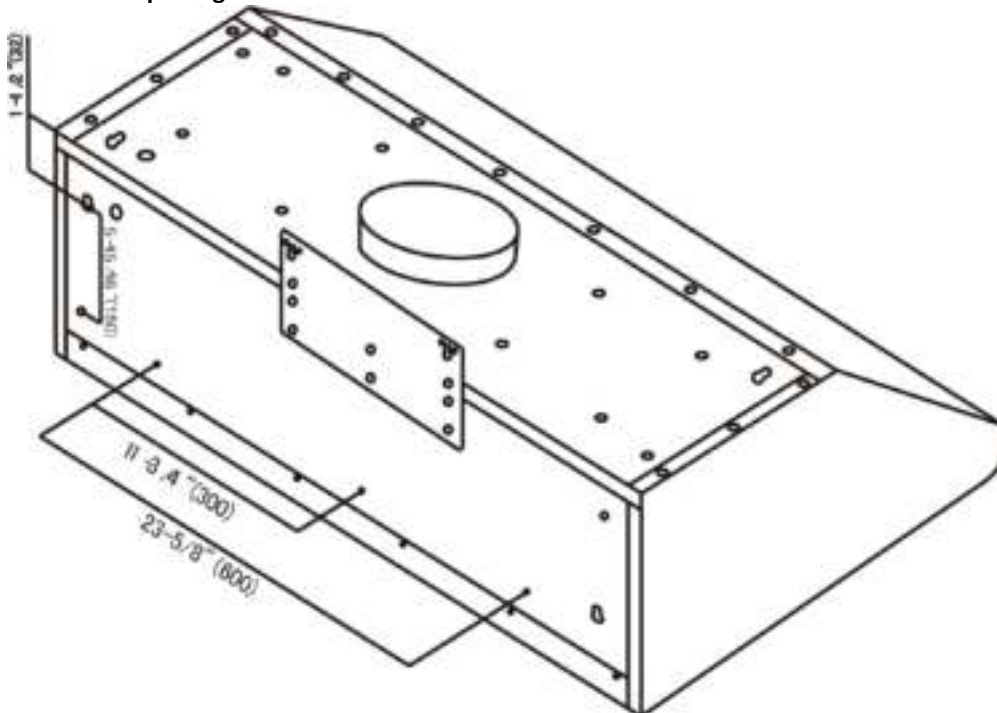
Abmessungen & Diagramme

- Alle Maße in Klammern sind in Millimeter angegeben.
- Alle Zollmaße werden von Millimetern umgerechnet, daher sind Zollmaße geschätzte Werte.

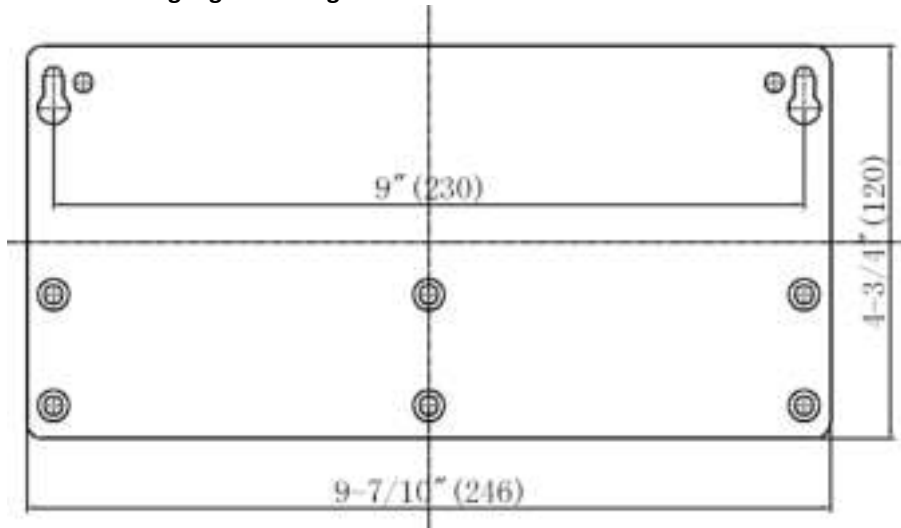
7227.0005 – 7227.0010



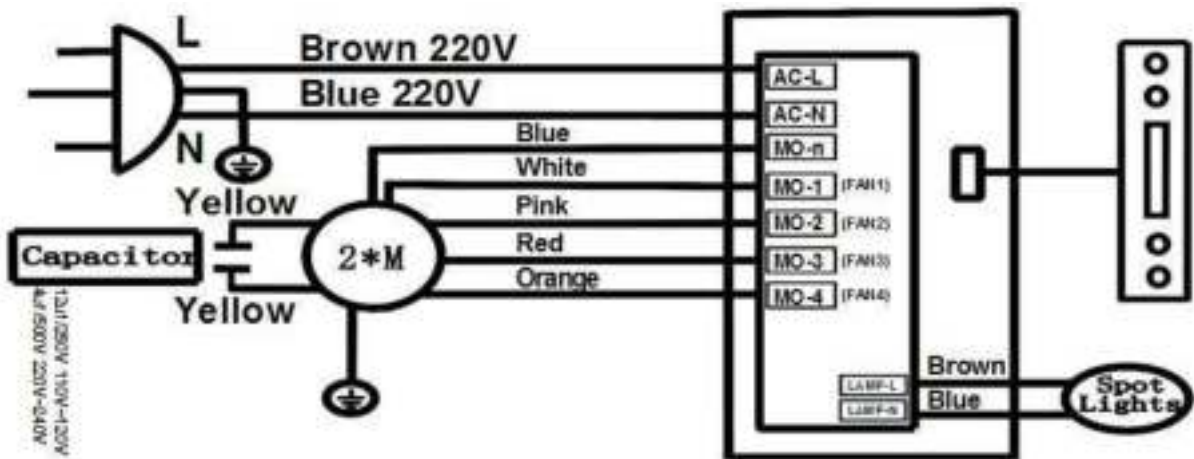
Hintere Aussparungslöcher:



Haubenbefestigungshalterung:

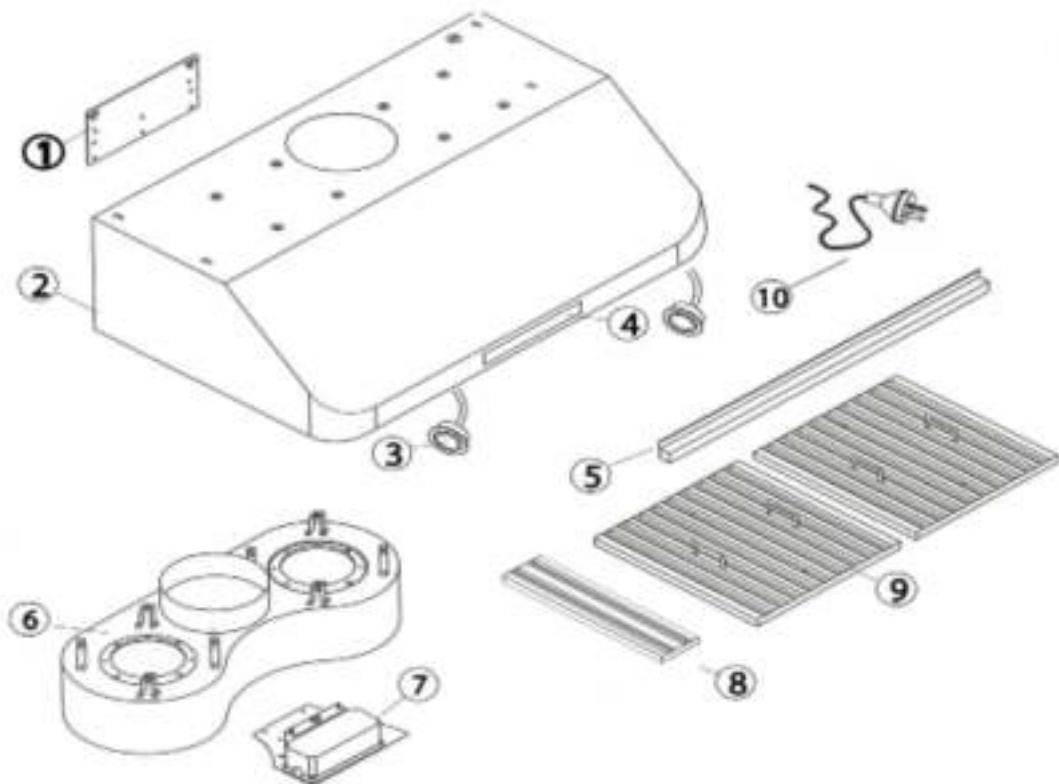


Schaltkreisdiagramm:



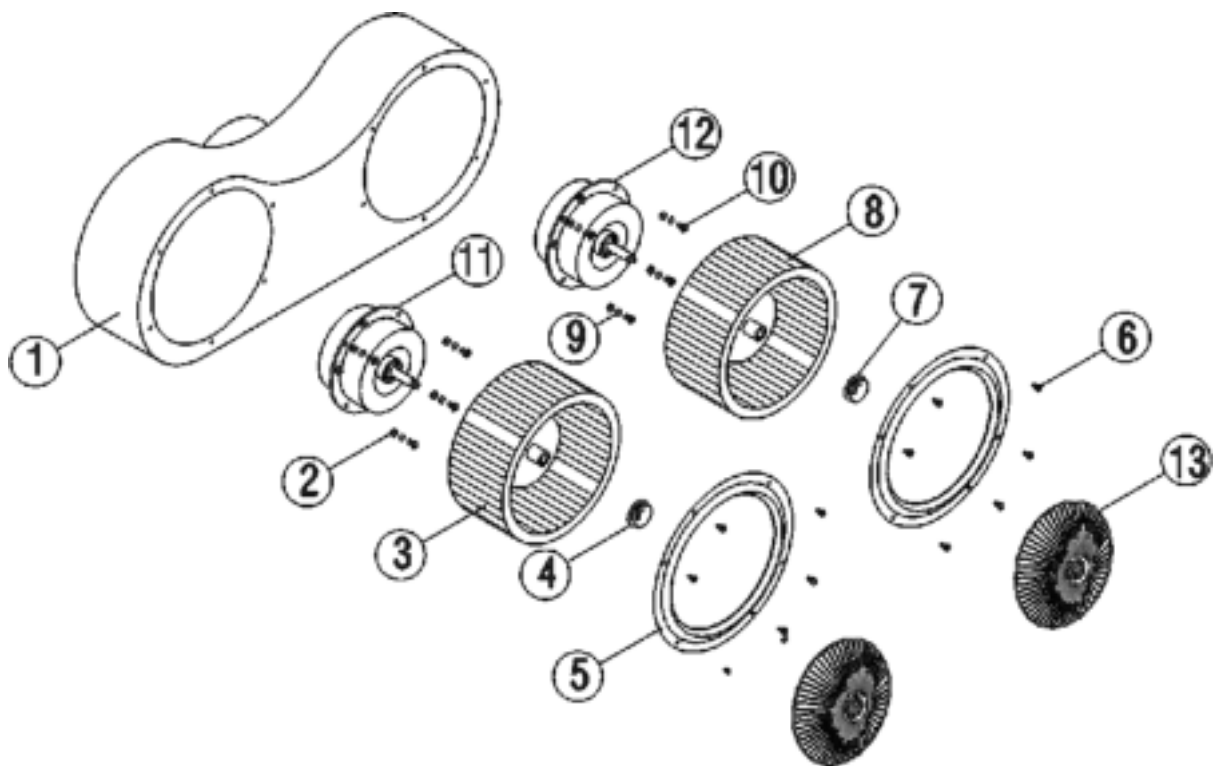
Montage der Dunstabzugshaube:

Nr.	Beschreibung	Anzahl
1	Haubenbefestigungshalterung	1
2	Haubengehäuse	1
3	Licht	2
4	Bedienfeld	1
5	Öltunnel	1
6	Gebälsebaugruppe (Motor, Lüfterblatt, Schutzgitter und Drehkäfig)	1
7	Elektrische Montage	1
8	Abstandhalter aus Edelstahl	1 / (2 for 42 & 48")
9	Prallfilter	2 / (3 for 48")
10	Netzkabel	1



Gebälsebaugruppe:

Nr.	Beschreibung	Nr.	Beschreibung
1	Drehkäfig	8	Rechte Lüfterklinge
2	Schraubkappe	9	Dichtung
3	Linke Lüfterklinge	10	Schrauben (3/16" x 3/8")
4	Linke Kontermutter	11	Linker Motor
5	Luftstromgrill	12	Rechter Motor
6	Schrauben (3/16" x 3/8")	13	Schutzgitter
7	Rechte Kontermutter		



WARTUNG

SICHERHEITSWARNUNG: Legen Sie niemals Ihre Hand in den Bereich, in dem sich der Ventilator befindet, während er in Betrieb ist! Für einen optimalen Betrieb reinigen Sie regelmäßig die Dunstabzugshaube und alle Leitbleche/Abstandshalter/Filter/Fetttunnel/Ölbehälter. Regelmäßige Pflege trägt dazu bei, das Gesamtbild der Dunstabzugshaube zu erhalten.

Reinigung von Außenflächen:

- Regelmäßig mit heißer Seifenlauge und sauberem Baumwolltuch reinigen. Verwenden Sie keine korrosiven oder scheuernden Reinigungsmittel (z.B. Comet Power Scrub®, EZ-Off® Ofenreiniger) oder Stahlwolle/Rillenpads, die die Edelstahloberfläche zerkratzen und beschädigen. Für schwerere Verschmutzungen verwenden Sie flüssige Entfettungsmittel wie "Formula 409®" oder "Fantastic®" Markenreiniger.
- Wenn die Haube fleckig aussieht (Edelstahlhaube), verwenden Sie einen Edelstahlreiniger, um die Oberfläche der Haube zu reinigen. Vermeiden Sie es, dass Reinigungslösung auf oder in das Bedienfeld gelangt. Befolgen Sie die Anweisungen des Edelstahlreinigers. **VORSICHT: Nicht zu lange einwirken lassen, da dies zu Schäden an der Haubenoberfläche führen kann.** Wischen Sie die Reinigungslösung mit einem weichen Tuch ab, reiben Sie hartnäckige Stellen vorsichtig ab. Verwenden Sie ein trockenes weiches Handtuch, um die Haube zu trocknen.
- Nach dem Reinigen können Sie eine nicht abrasive Edelstahlpolitur wie 3M® oder ZEP® verwenden, um den Edelstahlglanz und die Edelstahlkörnung zu polieren und auszubessern. Schrubben Sie immer leicht, mit einem sauberen Baumwolltuch und entlang der Maserung.
- Lassen Sie NICHT zu, dass sich Ablagerungen auf der Haube ansammeln oder dort verbleiben.
- Verwenden Sie KEINE gewöhnliche Stahlwolle oder Stahlbürsten. Kleine Stahlstücke können an der Oberfläche haften und zu Rostbildung führen.
- Lassen Sie Salzlösungen, Desinfektionsmittel, Bleichmittel oder Reinigungsmittel NICHT über einen längeren Zeitraum mit Edelstahl in Kontakt bleiben. Viele dieser Substanzen enthalten Chemikalien, die schädlich sein können. Nach der Exposition mit Wasser abspülen und mit einem sauberen Tuch trocken wischen.

Reinigen der Filter (Prallblech- oder Aluminiumfett):

WICHTIG: WICHTIG: Öl aus den Ölbehältern ablassen, bevor Öl und Rückstände überlaufen!

- Die werkseitig montierten Metallfilter dienen dazu, Rückstände und Fette aus dem Garprozess zu entfernen. Sie muss nicht regelmäßig ausgetauscht werden, sondern sollten stets sauber gehalten werden.
- Die Filter sollten alle 30 Betriebsstunden gereinigt werden.
- Von Hand entfernen und reinigen oder in der Spülmaschine waschen. Sprühen Sie "Formula 409®" oder ein gleichwertiges entfettendes Reinigungsmittel und lassen Sie es bei starker Verschmutzung einwirken. Trocknen Sie die Filter und installieren Sie sie wieder, bevor Sie die Haube verwenden.

Austausch von Filtern:

- Sollten Aluminium-Fettfilter aufgrund von Alterung und längerem Gebrauch abgenutzt sein, wenden Sie sich bitte an Ihren Händler vor Ort, um Ersatzfilter zu erhalten. (Hinweis: Ersetzen Sie auch beschädigte Filter, die durchstochenes oder gebrochenes Netz, gebogenen oder gebrochenen Rahmen haben.)

Austausch der Glühbirne:

- Diese Haube verwendet eine LED- oder Halogenlampe (siehe aktuelle Spezifikation der erworbenen Haube):
USA/Kanada: Halogen 35W Typ GU10 120V (Europa: 220V)
USA/Kanada: LED 3W 12V

Vergewissern Sie sich, dass die Dunstabzugshaube abgesteckt ist oder schalten Sie den Leistungsschalter auf OFF.



- Vergewissern Sie sich, dass die Leuchten abgekühlt sind, man sie berühren kann und richten Sie den Pfeil auf dem Innenring vorsichtig auf den Pfeil auf dem Außenring aus, auf dem OPEN steht. Der Innenring löst sich und die Glühbirne steht zum Herausnehmen bereit. Setzen Sie eine neue Halogenleuchte ein und wenden Sie diese Schritte in umgekehrter Reihenfolge an.
- Schalten Sie den Leistungsschalter auf ON und schalten Sie die Dunstabzugshaube ein, um die Funktion zu testen.



Auswechseln der Glühbirne mit dem inneren Ring-Öffner:

- Vergewissern Sie sich, dass die Dunstabzugshaube ausgesteckt ist oder schalten Sie den Trennschalter AUS.
- Stellen Sie sicher, dass die Lichter zum Berühren kühl sind, richten Sie den Pfeil auf dem Innenring sorgfältig auf den Pfeil auf dem Außenring aus, wo OPEN steht, mit dem Innenringöffner, wie in Abbildung 1 gezeigt.
- Der Innenring löst sich und die Glühlampe steht zur Demontage zur Verfügung, wie in Abbildung 2 dargestellt.



Figure 1.



Figure 2.

- Setzen Sie eine neue Glühbirne ein und wenden Sie die Schritte in umgekehrter Reihenfolge an.
- Schalten Sie den Trennschalter und die Dunstabzugshaube EIN, um die Funktion zu testen.

Austausch der LED-Leuchte:

- Diese Dunstabzugshaube verwendet eine LED-Leuchte: 3W Max. 12V LED
- Vergewissern Sie sich, dass die Dunstabzugshaube nicht angeschlossen ist oder dass der Schalter AUS ist und die Lichter zum Berühren kühl sind.
- Platzen Sie einen Flachkopfschraubendreher zwischen Leuchtengehäuse und Haubengehäuse, heben Sie das Leuchtengehäuse vorsichtig auf und suchen Sie nach dem Metallclip.
- Üben Sie Kraft auf den Metallclip aus und ziehen Sie die Leuchte heraus. Ziehen Sie das Netzkabel ab und entsorgen Sie die alte Leuchte.
- Wenden Sie diese Arbeitsschritte in umgekehrter Reihenfolge an, um eine neue Halogenleuchte zu installieren. Schalten Sie den Schalter auf ON und schalten Sie die Dunstabzugshaube ein, um die Funktion zu testen.



GARANTIE

UM EINE GARANTIELEISTUNG ZU ERHALTEN: Sie müssen einen Nachweis zum ursprünglichen Kaufdatum vorlegen.

Bitte legen Sie einen datierten Original-Kaufbeleg (Kaufbeleg / Rechnung) vor, um eine Garantieleistung zu erhalten.

Ein Jahr Ersatzteilgarantie:

Für ein Jahr ab dem Datum des ursprünglichen Erwerbs stellt Ihr lokaler Vertriebspartner kostenlos nicht verbrauchbare Ersatzteile oder Komponenten zur Verfügung, die aufgrund von Herstellungsfehlern ausgefallen sind. Vorbehaltlich der nachstehend aufgeführten Bedingungen und Einschränkungen wird Ihr lokaler Vertriebspartner nach eigenem Ermessen entweder Teile seiner Produkte reparieren oder ersetzen, die sich aufgrund unsachgemäßer Verarbeitung oder Materialien als fehlerhaft erweisen. Reparierte Teile oder Ersatzprodukte werden von Ihrem lokalen Wiederverkäufer im Austausch zur Verfügung gestellt und sind entweder neu oder aufgearbeitet, um funktional gleichwertig mit neuen zu sein. Der Verbraucher trägt alle Versandkosten. Verbrauchsteile, die nicht unter diese Garantie fallen, sind unter anderem: Glühbirnen, Metall-, Aluminium- und Kohlefilter.

Wer gedeckt ist:

Diese Garantie erstreckt sich auf den Erstkäufer von Produkten, die für den normalen Heimgebrauch erworben wurden.

Diese Garantie erlischt, wenn:

Das Produkt durch Fahrlässigkeit, unsachgemäße Installation, Unfall, Missbrauch, Fehlbedienung, Naturkatastrophen, unzureichende oder übermäßige Stromversorgung, ungewöhnliche mechanische oder Umgebungsbedingungen oder nicht autorisierte Demontage, Reparatur, Modifikation oder Nichtbeachtung der Installationsanweisungen beschädigt wurde. Wenn das Produkt kommerziell oder anderweitig als für den vorgesehenen Zweck verwendet wird. Beschädigt durch unsachgemäßen Anschluss an Geräte anderer Hersteller. Repariert oder modifiziert von jemand anderem als den autorisierten Vertretern Ihres lokalen Händlers. Diese beschränkte Garantie gilt auch nicht für Produkte, bei denen die ursprünglichen Identifikationsinformationen geändert, gelöscht oder entfernt wurden, die nicht korrekt behandelt oder verpackt wurden oder die als Gebrauchtware verkauft wurde.

Was nicht gedeckt ist:

Verbrauchsteile wie Glühbirnen, Metall- und Kohlefilter. Der natürliche Verschleiß der Oberfläche und der Verschleiß durch unsachgemäße Wartung, Verwendung von korrosiven und scheuernden Reinigungsmitteln, Pads und Ofenreinigungsmitteln. Späne, Beulen oder Risse durch Missbrauch, Missbrauch, Transportschäden oder unsachgemäße Installation. Produktschäden, die durch Unfall, Feuer, Überschwemmungen oder höhere Gewalt verursacht werden. Der Hersteller und/oder Vertreiber/Wiederverkäufer haftet nicht für den Verlust von Eigenschaften oder Kosten im Zusammenhang mit der Entfernung, Wartung, Installation oder der Feststellung der Ursache von Problemen mit diesem Produkt und übernimmt keine Verantwortung für die Gewährleistung.

Diese Garantie gilt im Land des ursprünglichen Kaufs im Einzelhandel. Sie ist nicht übertragbar und gilt nur für den Erstkäufer und erstreckt sich nicht auf nachfolgende Eigentümer dieses Produkts. Alle anwendbaren implizierten Garantien, einschließlich der Garantie der Marktgängigkeit, sind in ihrer Dauer auf einen Zeitraum der ausdrücklichen Garantie beschränkt, wie hierin vorgesehen, beginnend mit dem Datum des ursprünglichen Kaufs im Einzelhandel, und keine Garantien, weder ausdrücklich noch impliziert, gelten danach für dieses Produkt.

Um den Garantieservice in Anspruch zu nehmen, können Sie sich an Ihren lokalen Händler wenden, bei dem Sie dieses Produkt erworben haben. Bitte bestätigen Sie die Bedingungen der Richtlinien Ihres lokalen Vertriebspartners, bevor Sie sich an uns wenden. Typischerweise müssen Sie Informationen zur Produktidentifikation, einschließlich Modellnummer und Seriennummer, mit einer detaillierten Beschreibung des Problems, mit dem Sie zu tun haben, angeben. Sie müssen auch den Nachweis über das Datum des ursprünglichen Einzelhandelskaufs als Nachweis dafür beifügen, dass das Produkt innerhalb der geltenden Garantiezeit liegt.

Haftungsausschluss

Überprüfen Sie alle Artikel vor der Annahme der Lieferung sorgfältig auf Beschädigungen. Notieren Sie eventuelle Schäden auf der Frachtrechnung oder dem Expressbeleg. Verlangen Sie Namen und Unterschrift des Vertreters des Spediteurs und bewahren Sie eine Kopie zur Beglaubigung Ihrer Forderung auf. Bei der Annahme von Artikeln übernimmt der Besitzer die Verantwortung für seine sichere Ankunft. Melden Sie Schäden dem Spediteur und melden Sie diese sofort an. Andernfalls kann dies zur Ablehnung Ihres Anspruchs führen. Der Spediteur stellt Ihnen die notwendigen Formulare für die Einreichung einer Reklamation zur Verfügung.

Transportschäden fallen nicht unter unsere Garantie. Bitte kontaktieren Sie uns, um einen Versicherungsanspruch geltend zu machen.

Bitte prüfen Sie den Inhalt der Verpackung(en) bei Erhalt sorgfältig! Beschädigungen und/oder fehlende Teile sind uns innerhalb von fünf (5) Tagen nach Erhalt der Sendung(en) mitzuteilen. Reklamationen werden nicht nach fünf (5) Tagen akzeptiert. HINWEIS: Die Artikel wurden vor dem Versand in unserem Werk gründlich getestet und sorgfältig verpackt.

Die Produkte müssen in einwandfreiem Zustand zurückerstattet werden, wobei ALLE Originalteile und Unterlagen in ALLE Originalkartons, Füllstoffe und Versandkartons verpackt sind. Für alle genehmigten Rücksendungen wird eine Wiedereinlagerungsgebühr von 15% erhoben. Umtausch oder Rückgabe können nicht akzeptiert werden, wenn eine Verpackung fehlt.

Überprüfen Sie die Haube vor der Montage auf Beschädigungen und Mängel. Optische Mängel der Haube, die nach der Installation festgestellt wurden und die die Leistung der Haube nicht beeinträchtigen, fallen nicht unter unsere Garantie für Rückgabe oder Austausch. Serviceeinsätze, die nicht unter die Garantie fallen, sind mit einer Servicegebühr verbunden.

Vor der Installation: Rückgabe gegen Umtausch oder Rückerstattung (siehe oben für annehmbare Rückgaben).
Nach der Installation: KEINERLEI Umtausch oder Rückerstattung.

Kontaktieren Sie uns

Wenn Sie Hilfe benötigen, wenden Sie sich bitte an Ihren lokalen Vertriebspartner. Bitte haben Sie Ihre Bestellnummer und das Modell der Dunstabzugshaube bereit. Diese Informationen werden ihnen helfen, besser auf Ihre Anfrage zu reagieren.

Wenn Sie Ersatzteile benötigen, empfehlen wir Ihnen, nur Originalteile zu verwenden. Unser Zubehör und unsere Teile werden speziell für diese Serie von Dunstabzugshauben entwickelt, die jeweils strengsten Tests unterzogen werden, um ein Höchstmaß an Langlebigkeit und Zuverlässigkeit zu gewährleisten. Sie bieten eine werkseitige Anpassung, ein werkseitig installiertes Äußeres und eine Funktionalität, die auf jedes einzelne Modell der Dunstabzugshaube zugeschnitten ist.

Avis de sécurité important

Lisez toutes les instructions avant d'installer et d'utiliser cet appareil.

- L'installation décrite dans ce manuel est destinée à des installateurs qualifiés, des techniciens de maintenance ou des personnes possédant des compétences similaires. L'installation et le câblage électrique doivent être effectués par des professionnels qualifiés et conformément à tous les codes et normes applicables, y compris la construction résistant au feu.
- N'essayez PAS d'installer cet appareil vous-même. L'installation de l'appareil pourrait causer des blessures en raison du manque de connaissances techniques et électriques appropriées.
- La hotte de cuisine peut avoir des bords très coupants; veuillez porter des gants de protection s'il est nécessaire de retirer des pièces pour l'installation, le nettoyage ou l'entretien.
- L'activation de tout interrupteur avant la fin de l'installation peut provoquer une inflammation ou une explosion.
- En raison de la taille et du poids de cette hotte, il est recommandé d'installer deux personnes.

Pour réduire les risques d'incendie, de choc électrique ou de blessure corporelle:

- Pour ventilation générale uniquement. NE PAS utiliser pour évacuer des matières ou des vapeurs dangereuses ou explosives.
- Le débit de l'air de combustion nécessaire au fonctionnement en toute sécurité des appareils à combustion peut être affecté par le fonctionnement de cet appareil. Respectez les directives du fabricant d'équipement de chauffage et les normes de sécurité telles que celles publiées par la National Fire Protection Association (NFPA), l'Association américaine des ingénieurs en chauffage, réfrigération et climatisation (ASHRAE) et les autorités de code locales.
- Avant d'entretenir ou de nettoyer l'unité, mettez le panneau de service hors tension et verrouillez-le pour éviter toute mise sous tension accidentelle.
- Nettoyez fréquemment les surfaces graisseuses. Pour réduire les risques d'incendie et pour disperser correctement l'air, assurez-vous que l'air est expulsé à l'extérieur. NE PAS évacuer les gaz d'échappement dans les espaces entre les murs, les vides sanitaires, le plafond, les greniers ou les garages.
- Les ventilateurs canalisés DOIVENT toujours être ventilés à l'extérieur.
- Utilisez uniquement des conduits en métal et cet appareil DOIT être mis à la terre.
- Il faut suffisamment d'air pour une combustion et une évacuation correctes des gaz par le conduit afin d'éviter le refoulement.
- Lorsque vous coupez ou percez un mur ou un plafond, veillez à ne pas endommager les câbles électriques ou autres utilitaires cachés.
- Tout le câblage électrique doit être correctement installé, isolé et mis à la terre.
- Les anciens conduits doivent être nettoyés ou remplacés si nécessaire pour éviter tout risque d'incendie de graisse.
- Vérifiez tous les joints des conduits pour vous assurer que la connexion est correcte et que tous les joints doivent être correctement collés.
- Utilisez cet appareil uniquement de la manière prévue par le fabricant. Si vous avez des questions, contactez le vendeur.

Pour réduire les risques d'incendie de graisse dans le poêle:

- Veillez à ce que tous les ventilateurs, déflecteurs, espaces, filtres, tunnels à graisse, réservoirs d'huile et surfaces chargées de graisse soient propres. La graisse ne doit pas s'accumuler sur le ventilateur, le déflecteur, les espaces, le filtre, le tunnel de graissage et le réservoir d'huile.
- Allumez toujours la hotte lorsque vous cuisinez à feu vif ou lors de la cuisson d'aliments qui flambent.
- Utilisez des réglages élevés sur la plage de cuisson uniquement lorsque cela est nécessaire.
- Ne laissez jamais les unités de surface sans surveillance avec des réglages élevés. Les débordements provoquent des fumées et des débordements graisseux pouvant s'enflammer. Chauffer les huiles lentement, à feu doux ou moyen.
- Nettoyez le ventilateur fréquemment.
- Utilisez toujours les ustensiles de cuisine et les ustensiles appropriés.

- Utilisez toujours des ustensiles de cuisson adaptés à la taille de l'élément de surface.

Pour réduire le risque de blessures aux personnes en cas d'incendie de graisse dans le poêle:

- ÉTOUFFEZ LES FLAMMES avec un couvercle hermétique, une plaque à biscuits ou un plateau métallique, puis éteindre le brûleur. PRÉCISE POUR ÉVITER LES BRÛLURES. NE RAMASSEZ JAMAIS UN PAN INFLAMMABLE - vous pourriez être brûlé. GARDER LES MATIÈRES INFLAMMABLES OU COMBUSTIBLES À DISTANCE DES FLAMMES. Si les flammes NE s'éteignent PAS immédiatement, évacuez et appelez le service d'incendie ou appelez immédiatement le service d'urgence local.
- N'UTILISEZ PAS D'EAU, y compris des torchons ou des serviettes humides - vous risqueriez une violente explosion de vapeur.
- Utilisez un extincteur UNIQUEMENT si:
- Vous savez que vous avez un extincteur de classe A, B, C et vous savez déjà le faire fonctionner.
- Le feu est petit et contenu dans la zone où il est démarré.
- Le service d'incendie est appelé.
- Vous pouvez combattre le feu le dos tourné vers une sortie.

Réduire les risques de blessures aux personnes en cas de fuite de gaz:

- Éteindre toute flamme nue.
- NE PAS allumer le ventilateur de la hotte de cuisinière ni aucun type de ventilateur.
- NE PAS allumer les lumières ni aucun type d'appareil.
- Ouvrez toutes les portes et les fenêtres pour disperser le gaz. Si vous sentez toujours une odeur de gaz, appelez la compagnie de gaz et le service des incendies, ou appelez immédiatement le service d'urgence local.

Votre sécurité et celle des autres est très importante. Nous avons fourni de nombreux messages de sécurité importants dans ce manuel et sur votre appareil. Toujours lire et obéir à tous les messages de sécurité. Tous les messages de sécurité vous indiqueront le danger potentiel, vous indiqueront comment réduire les risques de blessure et vous indiqueront ce qui peut se produire si les instructions ne sont pas suivies.



AVERTISSEMENT

C'est le symbole d'alerte de sécurité. Ce symbole vous avertit des dangers potentiels pouvant vous blesser et blesser les autres. Tous les messages de sécurité suivront le symbole d'alerte de sécurité et le mot «AVERTISSEMENT».

Le fabricant et / ou le distributeur / revendeur décline toute responsabilité en cas de non-respect des instructions données ici pour l'installation, la maintenance et l'utilisation appropriée du produit. Le fabricant et / ou le distributeur / revendeur décline également toute responsabilité en cas de blessure par négligence et la garantie de l'unité expire automatiquement en raison d'un mauvais entretien.

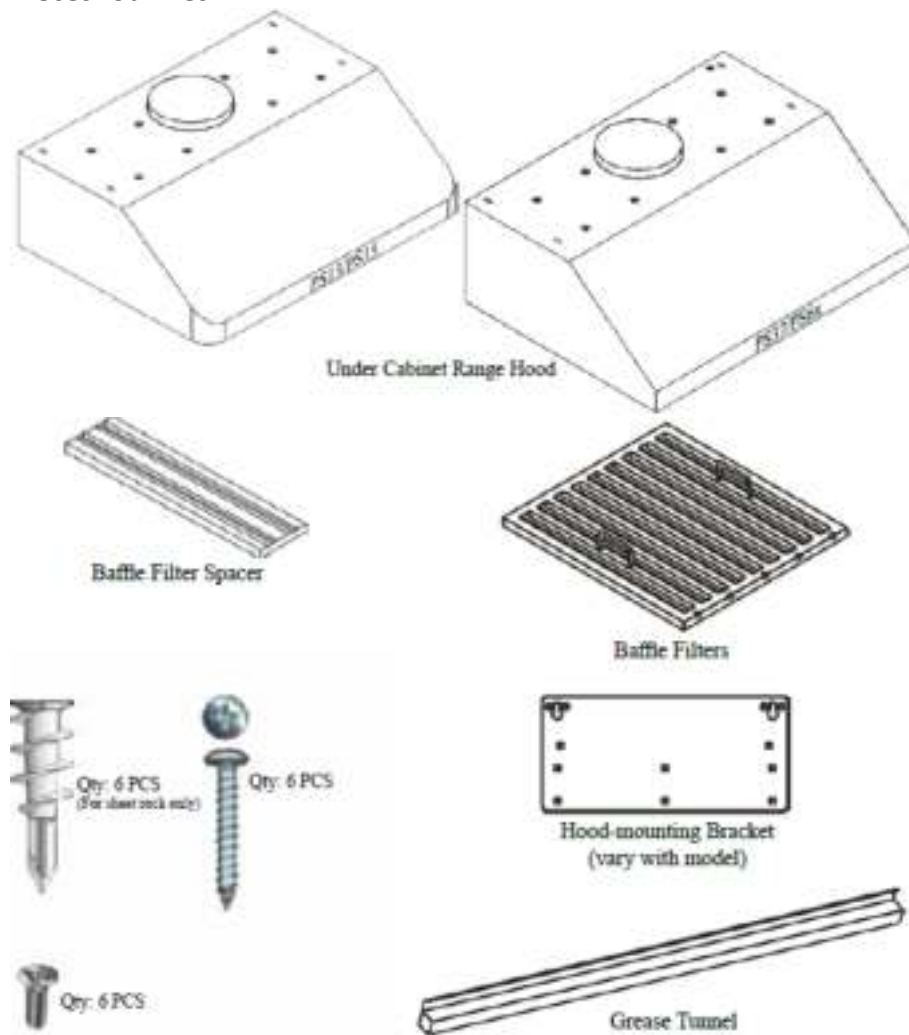
Le fabricant et / ou le distributeur / revendeur ne pourront être tenus responsables de dommages aux biens personnels ou immobiliers ou de dommages corporels causés directement ou indirectement par la hotte.

INSTALLATION

Outils nécessaires



Pièces fournies



Exigences de ventilation

- Le système de ventilation doit se terminer à l'extérieur (toit ou paroi latérale).
- NE PAS terminer le système de ventilation dans un grenier ou un autre espace clos.
- N'UTILISEZ PAS de capuchons muraux de type lave-linge de 4" (10,2 cm).
- Utilisez uniquement un évent en métal / aluminium. Un évent métallique rigide / aluminium est recommandé.
- NE PAS utiliser un évent en plastique.
- Gardez toujours le conduit propre pour assurer une circulation d'air adéquate.
- Calculez les chiffres suivants avant l'installation:
 1. Distance du sol au plafond.
 2. Distance entre le sol et le comptoir / poêle (recommandé * 27" à 30").
 3. Distance entre le comptoir / réchaud et la hotte.
 4. Hauteur de la cagoule et du conduit.

Pour le fonctionnement le plus efficace et le plus silencieux:

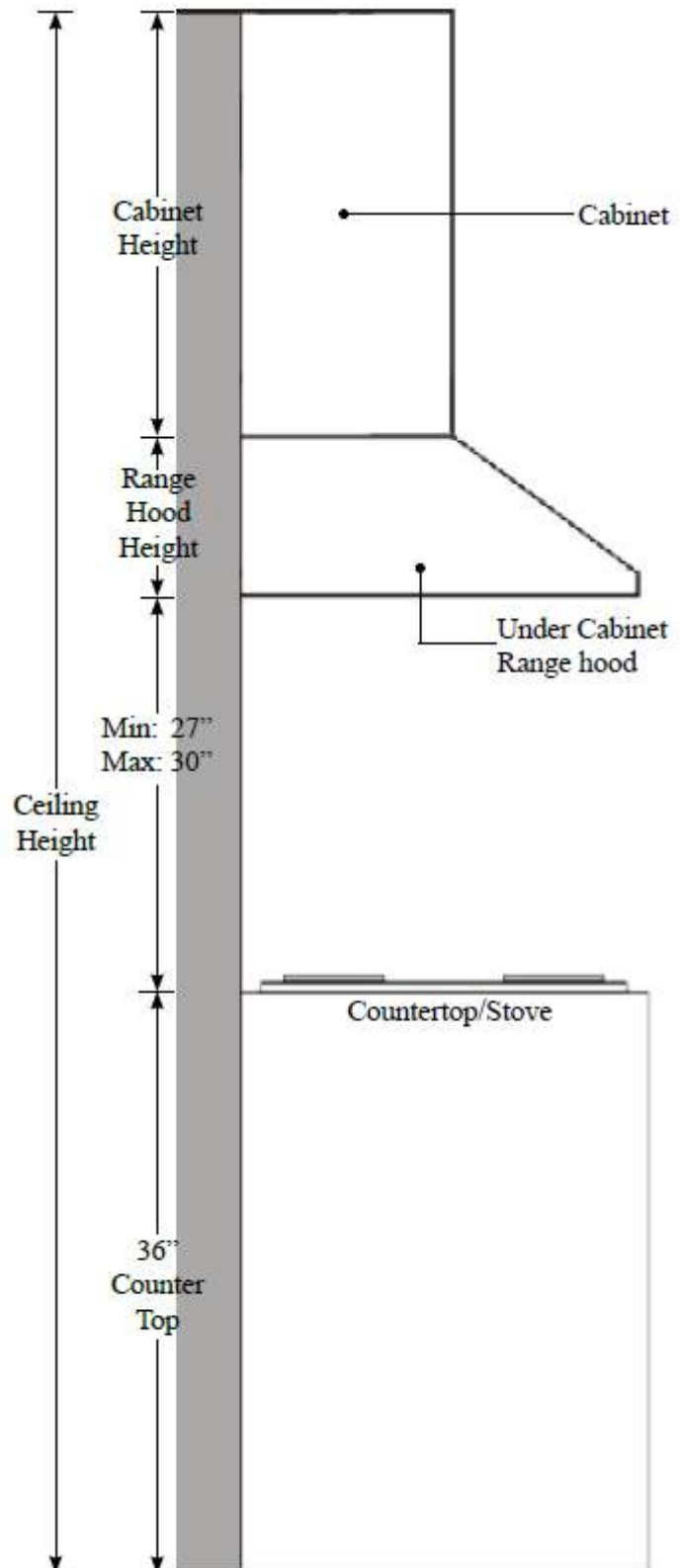
- Une distance de 27" à 30" est recommandée * entre le dessus du poêle et le bas de la hotte.
- Il est recommandé que la hotte de cuisine soit ventilée verticalement à travers le toit par une ventilation ronde de 20,3 cm (8") ou plus en métal / aluminium.
- La taille de l'évent doit être uniforme.
- Ne pas utiliser plus de trois coudes à 90°.
- Assurez-vous qu'il y a au moins 61 cm (24 po) de conduit rectiligne entre les coudes si plus d'un coude est utilisé.
- NE PAS installer deux coudes ensemble.
- La longueur du système de ventilation et le nombre de coudes doivent être réduits au minimum pour une performance efficace.
- Le système de ventilation doit avoir un registre. Si le chapeau de toit ou de mur a un registre, NE PAS utiliser le registre (le cas échéant) sur la hotte de cuisine.
- Utilisez du ruban adhésif ou du ruban adhésif en argent pour sceller tous les joints du système de ventilation.
- Utilisez du calfeutrage pour sceller l'ouverture du mur extérieur ou du toit autour du bouchon.

* En raison de différentes configurations de hauteur de plafond, la hauteur recommandée peut ne pas être applicable.

Hauteurs de montage et dégagement

IMPORTANT:

- Un conduit rond minimum de 8 "(standard pour cette hotte de cuisinière) ou un conduit rectangulaire de 3-1 / 4 x 10" (acheté séparément) doit être utilisé pour maintenir une efficacité maximale du flux d'air.
- Utilisez toujours des conduits rigides en métal / aluminium, le cas échéant, pour maximiser le flux d'air lors du raccordement au conduit fourni.
- Veuillez utiliser le calcul de conduite dans la conduite ci-dessous pour calculer le total de la conduite disponible lorsque vous utilisez des coudes, des transitions et des chapeaux.
- TOUJOURS, dans la mesure du possible, réduire le nombre de transitions et de virages. Si un long conduit est requis, augmenter la taille du conduit de 8 "à 10". Si un réducteur est utilisé, installez un réducteur long au lieu d'un réducteur à crêpes. Réduire la taille des conduits limitera le flux d'air et le réduira, réduisant ainsi la taille des conduits aussi loin que possible de l'ouverture.
- Si des virages ou des transitions sont nécessaires: Installez le plus loin possible de l'ouverture et le plus éloigné, entre 2, autant que possible.
- La hauteur minimale de montage entre le dessus du poêle et le bas de la hotte ne doit pas être inférieure à 27 pouces *.
- La hauteur de montage maximale entre le dessus du poêle et le bas de la hotte ne doit pas dépasser 30 pouces *.
- Il est important d'installer la hotte à la hauteur de montage appropriée. Les hottes montées trop bas pourraient causer des dommages dus à la chaleur et au feu; tandis que les hottes montées trop haut seront difficiles à atteindre et perdront leurs performances et leur efficacité.
- Si disponible, reportez-vous également aux exigences de dégagement en hauteur du fabricant de la cuisinière et à la hauteur de montage de la hotte recommandée au-dessus de la plage.



* En raison de différentes configurations de hauteur de plafond, la hauteur recommandée peut ne pas être applicable.

Taille minimale du conduit:

- Rond - 8 "minimum
- Rectangulaire - 3-1 / 4 x 10 "minimum (nécessite un adaptateur de 8" à 3-1 / 4x10", non fourni)

Calcul de la longueur du système d'évacuation

Pour calculer la longueur du système dont vous avez besoin, déduisez le nombre de pieds équivalent pour chaque élément de ventilation utilisé dans le système de la longueur de conduit maximale recommandée.

Calcul de la conduite	
Recommended maximum run	
Conduit de 8" ou 3-1/4 x 10"	50 pi
Dédution de pièce de ventilation	
Chaque coude à 90° utilisé	9 pi
Chaque coude à 45° utilisé	5 pi
Chaque transition de 7" à 3/14 x 10" utilisée	7 pi
Bouchon de paroi latérale avec amortisseur	0 pi
Toiture	0 pi

Exemple de calcul de la conduite:

Un toit, deux coudes à 90° et un coude à 45° utilisés:

$0ft + 9ft + 9ft + 5ft = 23ft$ utilisé.

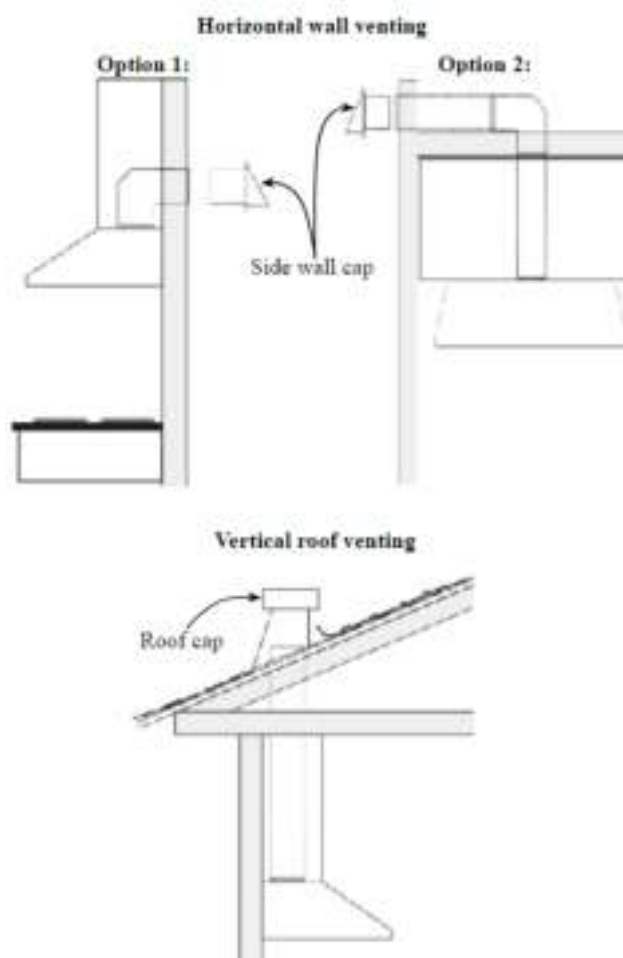
Déduire 23 pi de 50 pi, 27 pi maximum disponible pour le conduit droit.

Méthodes de ventilation

- Cette hotte est réglée en usine pour une ventilation à travers le toit ou le mur.
- Les travaux d'évacuation peuvent se terminer par le toit ou le mur. Pour évacuer à travers un mur, un coude à 90° est nécessaire.

IMPORTANT:

- NE JAMAIS évacuer l'air ni terminer les conduits dans les espaces entre les murs, les vides sanitaires, le plafond, les greniers ou les garages.
- Tous les gaz d'échappement doivent être canalisés vers l'extérieur.
- Utilisez uniquement des conduits en métal / aluminium.
- Fixez toutes les connexions avec des vis à tôle et collez tous les joints avec du ruban adhésif ou du ruban pour conduits certifié.
- Utilisez du calfeutrage pour sceller l'ouverture du mur extérieur ou du toit autour du bouchon.



Exigences électriques

IMPORTANT: Respectez tous les codes et ordonnances en vigueur.

(Veuillez consulter un électricien qualifié pour une tension de 220 volts et 50 Hz)

C'est la responsabilité du client:

- De contacter un installateur électrique qualifié.
- De s'assurer que l'installation électrique est adéquate et conforme au National Electrical Code, ANSI / NFPA 70 - dernière édition * ou aux normes CSA C22. 1-94, Code canadien de l'électricité, parties 1 et C22. 2 No. 0-M91 - Dernière édition ** et tous les codes et ordonnances locaux.

Si les codes le permettent et qu'un fil de terre séparé est utilisé, il est recommandé de faire appel à un électricien qualifié pour déterminer le chemin au sol est adéquat.

Une alimentation électrique avec fusible de 120 V, 60 Hz, ca uniquement, est requise sur un circuit séparé de 15 ampères, avec fusible des deux côtés de la ligne.

NE PAS mettre à la terre un tuyau de gaz.

Consultez un électricien qualifié si vous n'êtes pas sûr que la hotte est correctement mise à la terre.

NE PAS avoir de fusible dans le neutre ou le circuit de terre.

IMPORTANT: conservez ce guide d'installation pour l'utilisation de l'inspecteur en électricité

La hotte de cuisinière doit être connectée avec un fil de cuivre / fiche uniquement.

La hotte de cuisinière doit être connectée directement au boîtier de déconnexion à fusible (ou disjoncteur) par le biais de câbles souples.

câble en cuivre blindé ou non métallique gainé. Un U.L. - ou C.S.A. - le soulagement de traction indiqué doit être prévu à chaque extrémité du câble d'alimentation.

Les tailles de fil (fil de cuivre uniquement) et les connexions doivent être conformes aux spécifications de l'appareil, comme indiqué sur l'étiquette de modèle / numéro de série. Les tailles de fil doivent être conformes aux exigences du code électrique national

ANSI / NFPA 70 - dernière édition * ou normes CSA C22. 1-94, Code canadien de l'électricité, parties 1 et C22. 2 No. 0-M91 - Dernière édition ** et tous les codes et ordonnances locaux. Un U.L. - ou C.S.A. - connecteur de conduit répertorié doit être fourni à chaque extrémité du câble d'alimentation (à la hotte de cuisinière et à la boîte de jonction).

Des exemplaires des normes énumérées peuvent être obtenus auprès de:

* National Fire Protection Association

Batterymarch Park

Quincy, Massachusetts 02269

** CSA International

8501 East Pleasant Valley Road

Cleveland, Ohio 44131-5575

Préparation

Préparations avancées:

- Familiarisez-vous avec les commandes de la hotte en lisant la section *Opérations de la hotte*, page 77.
- Placez la hotte sur une surface plane et stable. Branchez la hotte à une prise standard désignée (veuillez-vous référer à l'étiquette du produit pour connaître la tension appropriée de cet appareil) et allumez la hotte. Vérifiez toutes les opérations de la hotte en vous référant à la section *Opérations de la hotte*, page 77.
- Placez toutes les pièces fournies et le matériel requis sur une surface plane et stable et vérifiez l'existence de toutes les pièces fournies répertoriées à la page 69.
- Retirez délicatement la couche de protection en plastique blanc de la hotte.



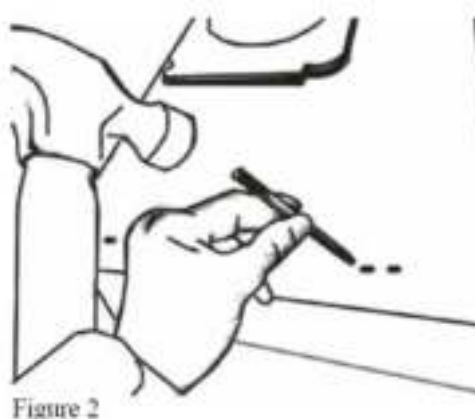
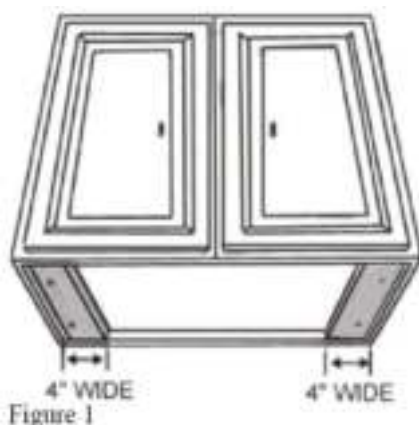
Préparations:

NOTE: Pour éviter d'endommager votre hotte, évitez que des débris pénètrent dans l'ouverture de ventilation.

- Décidez de l'emplacement du tuyau de ventilation de la cagoule à l'extérieur. Voir *Méthodes de ventilation* sur Page 72.
- Une conduite d'aération courte et droite permettra à la hotte de fonctionner plus efficacement.
- Essayez d'éviter autant que possible les transitions, les coudes et la longue durée. Cela peut réduire les performances de la hotte.
- **IMPORTANT:** Décollez la couche de protection en plastique blanche de la cagoule, le cas échéant.
- Utilisez du ruban adhésif ou du ruban adhésif en argent pour sceller les joints entre les sections de tuyau.
- Pour une installation sous l'armoire avec le fond encastré, fixez des bandes de remplissage en bois de 4 pouces de large (non fournies) de chaque côté. Voir la figure 1.
- En vous référant aux *Mesures et diagrammes* de la page 80, créez une ouverture d'accès pour les fils électriques et la sortie de la hotte sous l'armoire.

ATTENTION: Si vous devez déplacer la cuisinière pour installer la hotte, mettez-la hors tension sur une cuisinière située dans le boîtier électrique principal. FERMEZ LE GAZ AVANT DE DÉPLACER UNE GAMME DE GAZ.

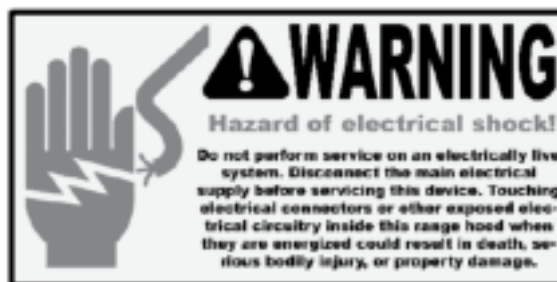
- Perforez les trous (pour le montage sous l'armoire) sur la hotte (voir Figure 2).
- Si nécessaire, fixez deux supports en caoutchouc avec des rubans adhésifs 3M aux coins arrière de la hotte.



Installation

Installations (reportez-vous à la page 69 pour les pièces): Mesurez la distance entre le dessus du poêle et le bas de la hotte. Une distance de 27 à 30 pouces est recommandée*.

* En raison de différentes configurations de hauteur de plafond, la hauteur recommandée peut ne pas être applicable.



1. Vous avez deux façons (A ou B) de monter cette hotte:

A. Poursuivez si vous souhaitez monter cette hotte sans utiliser le support de fixation de la hotte.

1. Utilisez les références de *Hauteur et dégagement* page 71 et de *Mesures et diagrammes* page 80 pour centrer la hotte sous l'armoire et affleurée à l'avant de l'armoire.
2. Tirez les fils électriques à travers l'ouverture d'accès au meuble et centrez la hotte sous le meuble.
3. Depuis l'intérieur de la hotte, placez les vis au centre exact de chaque trou défonçable et fixez-les au bas de l'armoire. Finissez de serrer toutes les vis jusqu'à ce qu'elles soient bien serrées. Faites attention lorsque vous utilisez un tournevis électrique, la hotte peut être endommagée. Sautez la partie B ci-dessous et passez à l'étape 2.

ATTENTION: Assurez-vous que la hotte est sécurisée avant de la relâcher!

B. Continuez si vous souhaitez monter cette hotte en utilisant le support de montage fourni.

1. Utilisez les références de *Hauteur et dégagement* page 71 et *Mesures et diagrammes* page 80 pour marquer le point de mise à niveau de la hotte. Placez deux vis de fixation sur le mur, en laissant un espace de 1/8" du mur. Le montage de la hotte sur des montants de mur ou des lumbers est fortement recommandé.
2. Fixez le support de montage de la hotte à l'arrière de la hotte à l'aide de six vis, comme illustré à la figure 3.
3. Perforez le trou d'accès du fil à enfoncer à l'arrière de la hotte et faites passer les fils électriques comme indiqué à la figure 4.
4. Alignez le support de fixation de la hotte sur les vis du mur et accrochez la hotte comme indiqué à la figure 5. Serrez les vis pour fixer la hotte au mur.

ATTENTION: Assurez-vous que la hotte est sécurisée avant de la relâcher!

2. Pour des raisons de sécurité, des trous de fixation pré-perçés sont prévus à l'arrière de la hotte. Pour une installation plus sécurisée, utilisez autant de trous de montage que nécessaire pour sécuriser de l'intérieur de la hotte.

3. Utilisez un tuyau en acier rond de 8 po (conformément aux codes du bâtiment en vigueur dans votre région) pour raccorder l'évacuation de la hotte aux conduits supérieurs. Utilisez du ruban adhésif ou du ruban adhésif pour rendre tous les joints solides et étanches. Voir la figure 6.

AVERTISSEMENT DE SÉCURITÉ: Risque de choc électrique. cette hotte doit être correctement mise à la terre. Assurez-vous que ceci est effectué par un électricien qualifié conformément à tous les codes électriques nationaux et locaux applicables. Avant de connecter les câbles, éteignez le panneau de service et verrouillez-le pour éviter toute mise sous tension accidentelle.

4. Branchez la hotte de cuisinière sur une prise standard désignée ou coupez la prise et branchez trois fils (noir, blanc et vert) sur les fils de la maison et sur le capuchon muni de connecteurs.

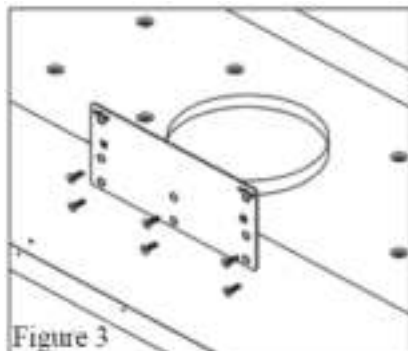


Figure 3

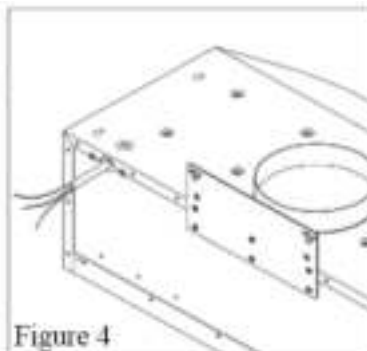


Figure 4

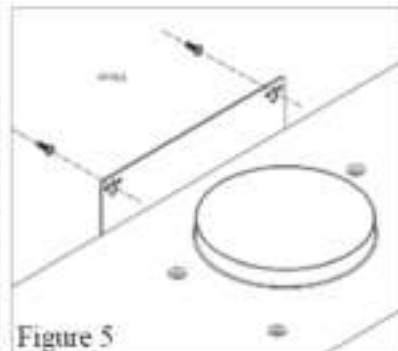
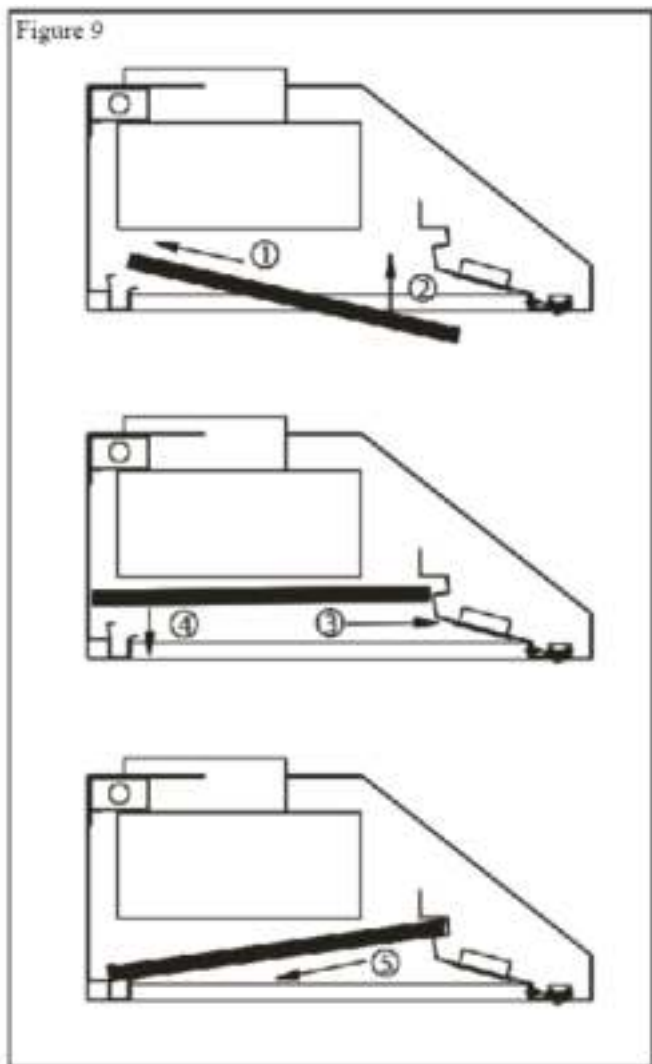
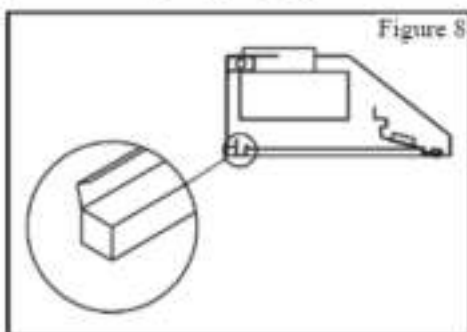
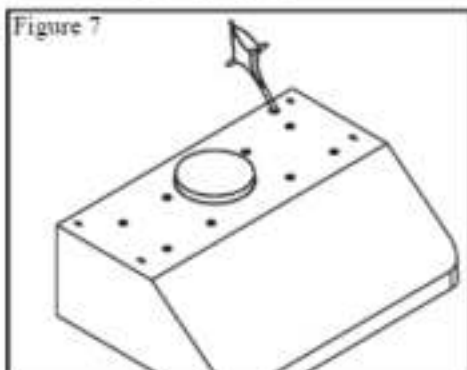
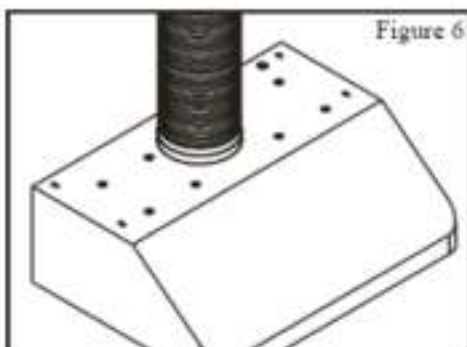


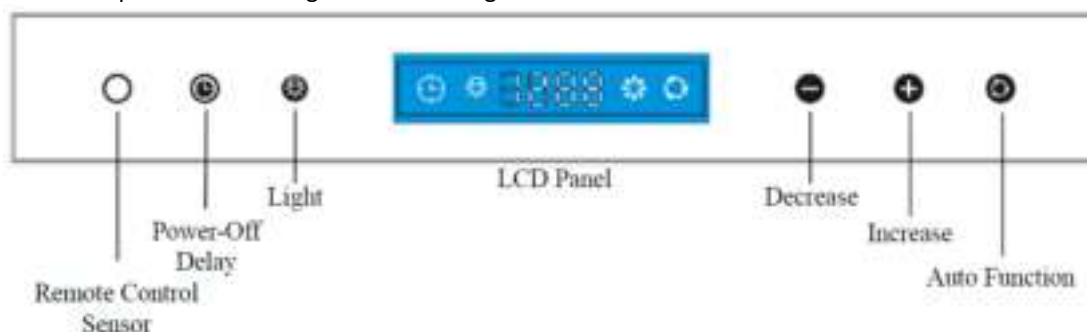
Figure 5

5. Rangez les fils en excès dans le boîtier de câblage.
6. Déposer le tunnel d'huile dans le support de l'évidement près de l'arrière de la hotte. Voir la figure 8.
7. Pour installer les filtres déflecteurs et les entretoises en acier inoxydable, reportez-vous à la figure 9 pour les cinq étapes suivantes:
 1. Inclinez le filtre déflecteur vers l'arrière de la hotte.
 2. Poussez le filtre déflecteur jusqu'à ce qu'il soit presque à niveau.
 3. Glissez vers l'avant dans le renforcement derrière le capot.
 4. Abaissez le filtre déflecteur.
 5. Faites-le glisser jusqu'à ce qu'il soit bien en position de repos.
8. Répétez l'étape 7 pour installer tous les filtres déflecteurs et les entretoises en acier inoxydable.
9. Mettez le panneau de commande sous tension. Vérifiez toutes les lumières et le fonctionnement du ventilateur.
10. Assurez-vous de laisser ce guide d'installation au propriétaire.



Opérations de la hotte

Disposition du panneau de configuration et configuration des boutons:



En plus de la fonction de commande à distance, cette hotte est également équipée d'un capteur de chaleur qui s'auto-étalonne en 5 secondes lorsque la hotte est activée électriquement et émet un bip lorsque l'auto-étalonnage est effectué. Pour économiser de l'énergie, le panneau LCD s'éteindra automatiquement après 5 secondes d'inactivité.

Réglage de la vitesse automatique sensible à la chaleur (HSAS):

- Appuyez sur le bouton de fonction automatique pour activer / désactiver le mode automatique. L'icône de fonction automatique apparaîtra sur l'écran LCD lorsque le mode automatique est activé.
- Lorsque la hotte est éteinte, maintenez le bouton de fonction automatique enfoncé pour accéder au mode de réglage de la température. Appuyez sur le bouton Augmenter ou Réduire pour régler la valeur de la température de comparaison entre les capteurs de chaleur interne et externe de 7 ° F à 20 ° F. Le mode de réglage de la température quittera automatiquement après 5 secondes d'inactivité.
- Lorsque la hotte est éteinte et que la fonction automatique est activée, le ventilateur se mettra automatiquement à sa vitesse maximale lorsque la température interne est 4 fois supérieure à la température externe. Ensuite, le niveau de vitesse (entre les niveaux de vitesse F4 à F1) sera ajusté automatiquement en fonction de la température détectée entre les capteurs (4 fois à 1 fois). Vous pouvez également écraser manuellement le niveau de vitesse en appuyant sur le bouton Augmenter ou Diminuer. La fonction automatique se réactivera au bout de 2 minutes. Le ventilateur peut UNIQUEMENT être éteint MANUELLEMENT ou activer la fonction de temporisation d'arrêt.

Activation de la fonction de ventilation normale:

- Lorsque la hotte est éteinte, appuyez sur le bouton Augmenter ou Diminuer pour démarrer le ventilateur. Appuyez sur le bouton Augmenter pour augmenter la vitesse du ventilateur (F1 à F4) comme indiqué sur le panneau LCD. Le bouton Augmenter fait passer les réglages du ventilateur de l'arrêt (00) à la vitesse lente (F1) à la vitesse lente (F2), à la vitesse moyenne (F3) à la vitesse élevée (F4).
- Lorsque la hotte est en marche et que le ventilateur est en marche, appuyez sur le bouton de diminution pour diminuer la vitesse du ventilateur (F4 à F1), comme indiqué sur l'écran LCD. Le bouton Diminuer permet de régler les paramètres de la soufflante de vitesse élevée (F4) à moyenne vitesse (F3), faible vitesse (F2), vitesse lente (F1) à arrêt (00).

Activation de la fonction d'éclairage:

- Appuyez une fois sur le bouton Light pour allumer les lumières et une fois encore pour les éteindre.

MISE EN GARDE: NE touchez PAS les lumières tant qu'elles n'ont pas été éteintes et refroidies.

Activation de la fonction de délai de mise hors tension:

- Lorsque la hotte est en marche et que le ventilateur est en marche, appuyez sur le bouton Délai d'extinction pour activer le délai d'extinction. L'icône «Délai d'extinction» apparaît sur l'écran LCD. Ajustez la durée souhaitée de la minuterie en appuyant sur le bouton Augmenter ou Réduire (minimum 1 minute à maximum 15 minutes). La minuterie commence à décompter immédiatement, quand il atteint 0, le ventilateur s'éteindra.

Réglage de la fonction d'horloge:

- Lorsque la hotte est éteinte, appuyez une fois sur le bouton Power-off Delay pour entrer dans le mode de réglage de l'horloge, appuyez sur le bouton Augmenter ou Diminuer pour régler l'heure. Appuyez à nouveau sur le bouton Power-off Delay pour régler le paramètre Min. Appuyez à nouveau sur le bouton Délai d'extinction pour quitter le mode de réglage de l'horloge.

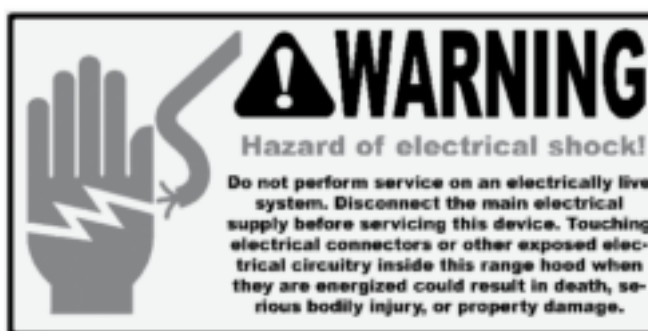
Capteur de télécommande:

- Le capteur de la télécommande reçoit le signal infrarouge (IR) de la télécommande. La distance maximale pour la transmission de données IR est de 3 mètres (10 pieds) et nécessite une visibilité directe. La distance de transmission peut varier en fonction de la température et de l'état de la batterie de la télécommande.

Note: les paramètres d'éclairage sont indépendants des autres paramètres (y compris le délai d'extinction) et doivent être allumés ou éteints manuellement.

UTILISATION ET ENTRETIEN

Dépannage



Si la hotte de cuisine ou l'éclairage halogène ne fonctionne pas après l'installation:	<ul style="list-style-type: none"> • Vérifiez que la hotte est bien branchée, assurez-vous que toute l'alimentation a été remise sous tension, que le fusible n'a pas sauté et que tous les câbles électriques sont correctement branchés. • Échangez les lampes avec celles qui fonctionnent afin de déterminer si elles sont causées par des ampoules défectueuses. Voir <i>Remplacement des ampoules</i> à la page 84/85.
La hotte de cuisine vibre lorsque le ventilateur est en marche:	<ul style="list-style-type: none"> • La hotte peut ne pas avoir
Le souffleur ou ventilateur semble faible:	<ul style="list-style-type: none"> • Vérifiez que la taille de conduit utilisé est au moins égale à 8" ou 3 1/4 x 10". La hotte ne fonctionnera PAS efficacement si la taille des conduits est insuffisante. Par exemple: conduit de 10" sur un trou de 8" et mal fixé. • Vérifiez si le conduit est bouché ou si l'unité de registre (clapet demi-circulaire) n'est pas installée correctement ou ne s'ouvre pas correctement. Un maillage serré sur un capuchon de paroi latérale peut également entraîner une restriction du flux d'air.
Les lumières fonctionnent mais le ventilateur ne tourne pas du tout, est bloqué ou vibre.	<ul style="list-style-type: none"> • Le ventilateur est peut-être coincé ou en train de gratter le fond • À cause de dommages dus au transport. S'il vous plaît contactez-nous immédiatement.
La hotte ne se vide pas correctement:	<ul style="list-style-type: none"> • Assurez-vous que la distance entre le dessus du pôle et le bas de la hotte est comprise entre * 27" et 30". * En raison de différentes configurations de hauteur de plafond, la hauteur recommandée peut ne pas être applicable. • Réduisez le nombre de coudes et la longueur des conduits. Vérifiez si tous les joints sont correctement connectés, scellés et collés. • Assurez-vous que le four est à haute vitesse pour une cuisson intense.

Informations d'utilisation et d'entretien

Utilisation:

- Lisez et comprenez toutes les instructions et les avertissements contenus dans ce manuel avant d'utiliser l'appareil. Conservez ces instructions pour référence future.
- Toujours laisser les grilles de sécurité et les filtres en place. Sans ces composants, les ventilateurs en marche pourraient s'accrocher aux cheveux, aux doigts et aux vêtements amples.
- Ne jetez JAMAIS de cendres de cigarettes, de substances inflammables ou d'objets étrangers dans les soufflantes.
- Ne laissez JAMAIS la cuisine sans surveillance. Lors de la friture, l'huile de la poêle peut facilement surchauffer et prendre feu. Le risque d'autocombustion est plus élevé lorsque l'huile a été utilisée plusieurs fois.
- NE CUISINEZ JAMAIS sur des flammes «ouvertes» sous la hotte. Vérifiez les friteuses pendant l'utilisation: l'huile surchauffée peut être inflammable.

Entretien:

- La saturation en résidus gras dans le ventilateur et les filtres peut augmenter l'inflammabilité. Gardez l'unité propre et exempte de graisse et d'accumulation de résidus en tout temps afin d'éviter tout risque d'incendie.
- Les filtres doivent être nettoyés périodiquement et sans accumulation de résidus de cuisson (voir les instructions de nettoyage à la page 84). Les filtres usés et usés doivent être remplacés immédiatement.
- NE PAS utiliser les ventilateurs lorsque les filtres sont retirés. Ne jamais démonter des pièces à nettoyer sans instructions appropriées. Il est recommandé que le démontage ne soit effectué que par du personnel qualifié. Lisez et comprenez toutes les instructions et les avertissements de ce manuel avant de continuer.

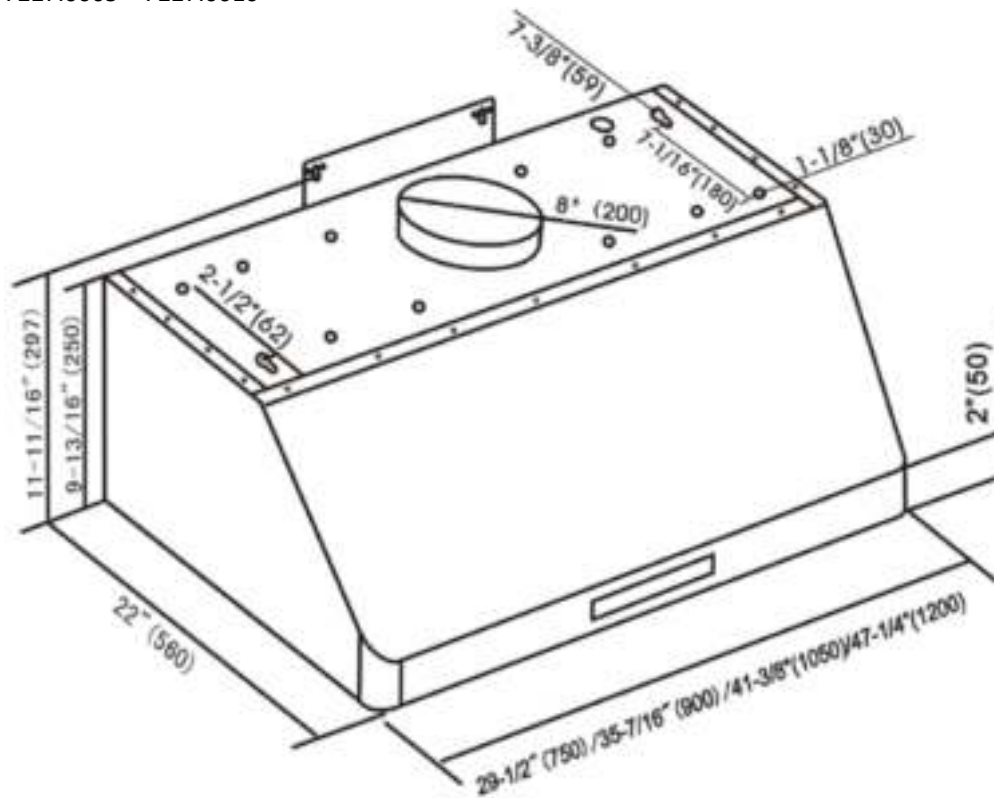
Caractéristiques

Caractéristiques ³ :	
Conception du corps	Acier inoxydable sans soudure, fini satiné
Puissance nominale	220V / 50Hz
Puissance d'entrée générale	240W + (n ° de lumière x puissance)
Puissance d'entrée du moteur	240W (120W + 120W)
Ampère	3A
Niveaux de contrôle de la vitesse	4 niveaux
Flux d'air (Q / L / M / H)	385CFM / 490CFM / 615CFM / 900CFM
Niveau de bruit (Q / L / M / H)	1.5Sone (46dB) / 3.5Sone (58dB) / 5.3Sone (64dB) / 7.5Sone (69dB)
Nombre de moteurs	2 moteurs
Type de moteur	Chambre simple ultra silencieuse
Type de ventilateur	Cage centrifuge à écureuil
Type de contrôle	Panneau de commande électronique tactile avec capteur de chaleur et télécommande
Type de filtration	Filtre déflecteur en acier inoxydable
Éclairage	LED 3W 12V
Taille d'évacuation	Haut, 8 pouces rond
Interference Protection	Interférences de fréquence radio protégées

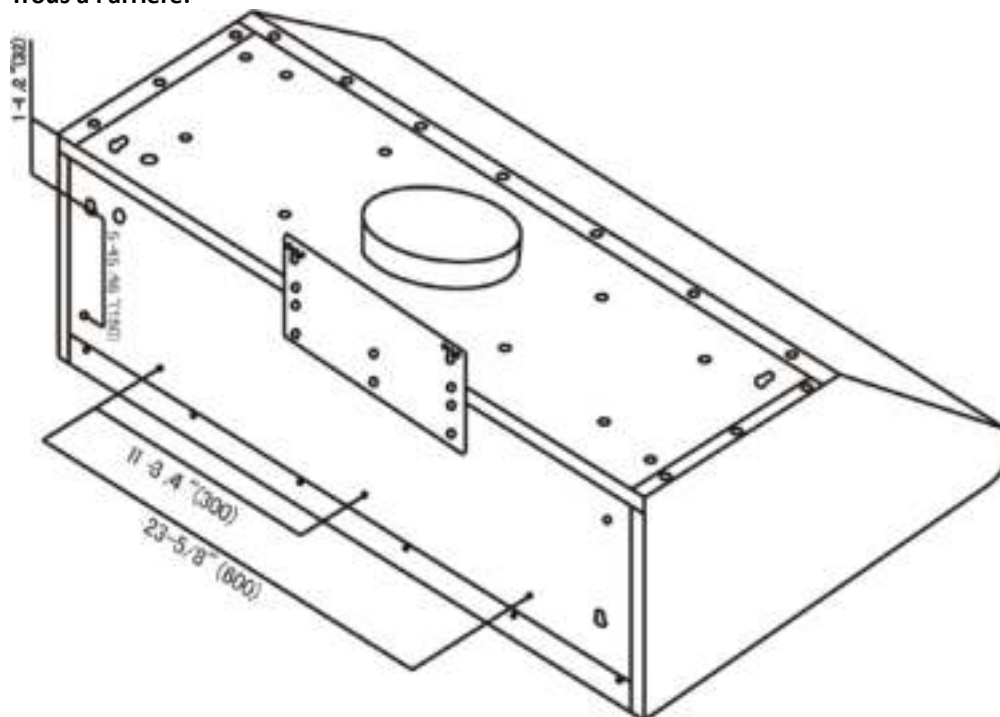
Mesures et diagrammes

- Toutes les mesures entre parenthèses sont en millimètres.
- Toutes les mesures en pouces sont converties à partir de millimètres; les mesures en pouces sont donc estimées.

7227.0005 – 7227.0010



Trous à l'arrière:



Support de capot:

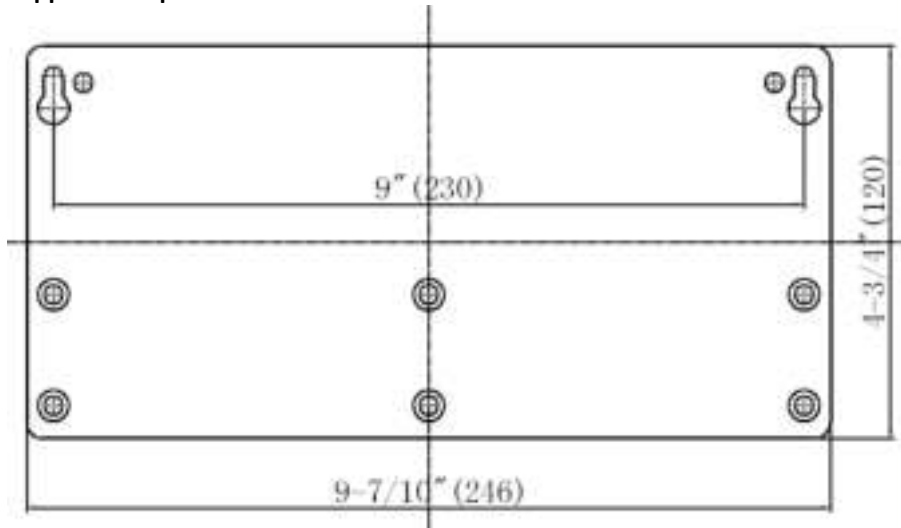
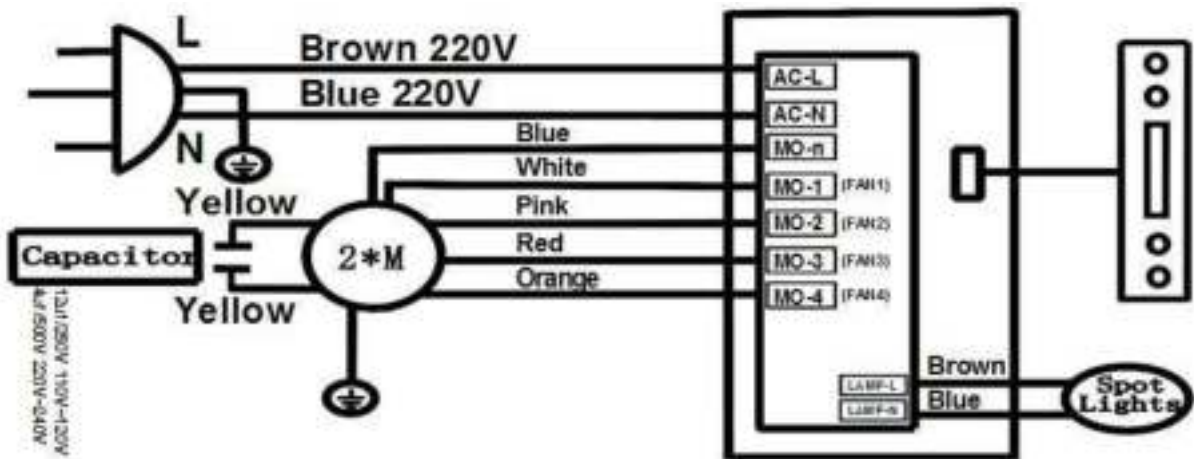
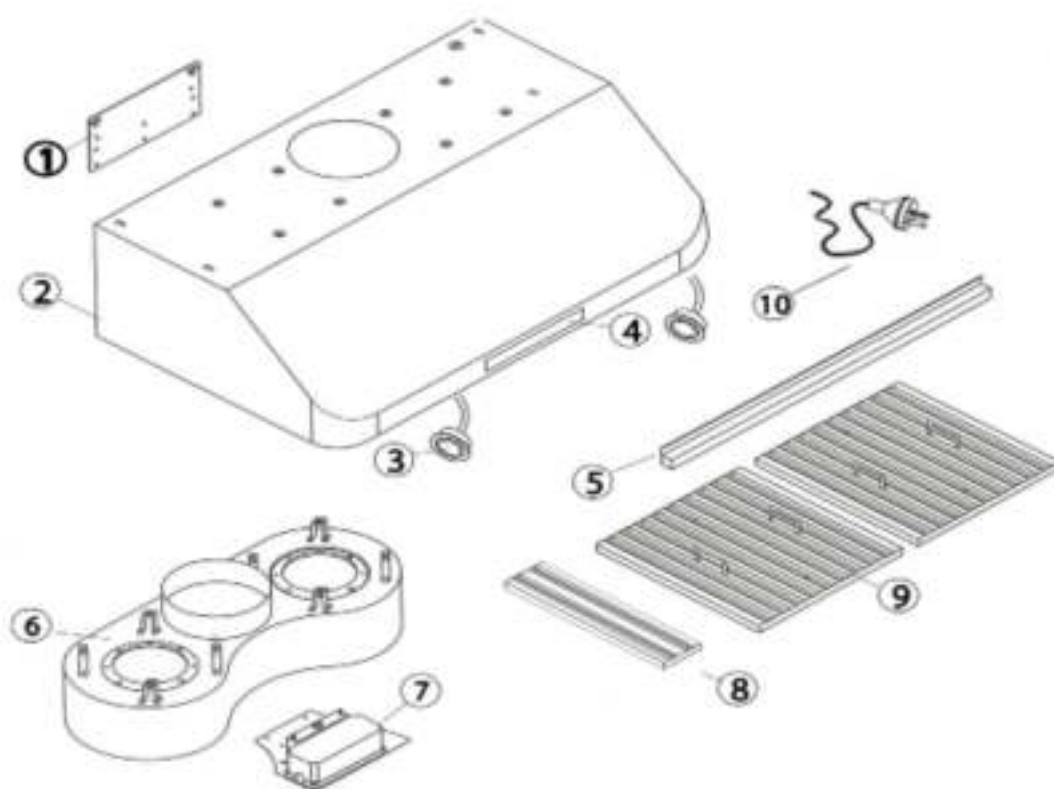


Diagramme de circuit:



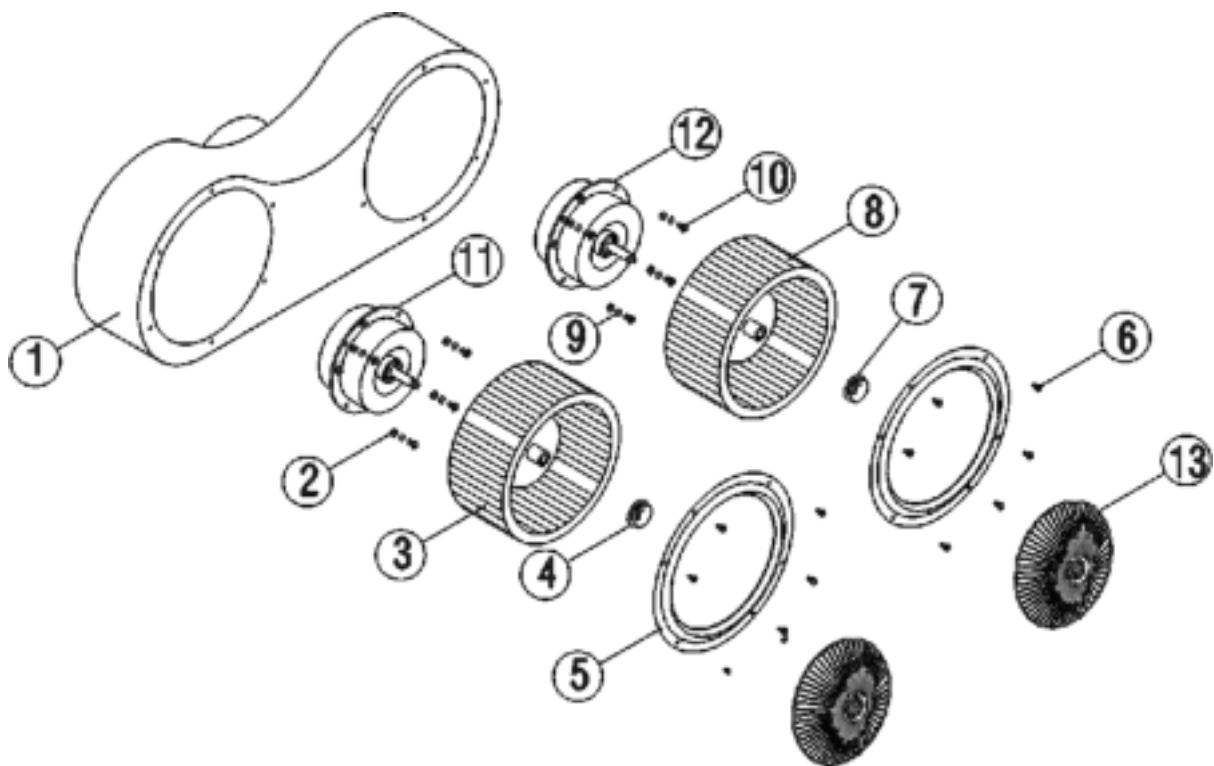
Assemblage de la hotte:

No.	Description	Quantité
1	Support de fixation de capot	1
2	Corps de capot	1
3	Lumière	2
4	Panneau de contrôle	1
5	Tunnel pétrolier	1
6	Ensemble ventilateur (moteur, pale de ventilateur, grille de protection et cage d'écureuil)	1
7	Assemblage électrique	1
8	Entretoise en acier inoxydable	1 / (2 pour 42 & 48")
9	Filtre défecteur	2 / (3 pour 48")
10	Cordon d'alimentation	1



Assemblage du ventilateur:

No.	Description	No.	Description
1	Cage à écureuil	8	Lame de ventilateur droite
2	Bouchon à vis	9	Joint
3	Lame de ventilateur gauche	10	Vis (3/16 "x 3/8")
4	Contre-écrou gauche	11	Moteur gauche
5	Grille de circulation d'air	12	Moteur droit
6	Vis (3/16 "x 3/8")	13	Grille de protection
7	Contre-écrou droit		



MAINTENANCE

AVERTISSEMENT DE SÉCURITÉ: Ne mettez jamais votre main dans la zone où se trouve le ventilateur lorsque celui-ci fonctionne! Pour un fonctionnement optimal, nettoyez la hotte de cuisine et tous les déflecteurs / entretoises / filtres / conduits de graissage / réservoir d'huile régulièrement. Des soins réguliers aideront à préserver l'aspect de la hotte.

Nettoyage des surfaces extérieures:

- Nettoyez périodiquement avec de l'eau chaude savonneuse et un chiffon en coton propre. N'utilisez pas de détergent corrosif ou abrasif (par exemple, le nettoyant pour four Comet Power Scrub®, EZ-Off®), ni de laine d'acier / tampons de coupe qui rayeraient et endommageraient la surface en acier inoxydable. Pour les sols plus lourds, utilisez un dégraissant liquide tel que le nettoyant de marque «Formula 409®» ou «Fantastic®».
- Si la hotte semble tachée (hotte en acier inoxydable), utilisez un nettoyant pour acier inoxydable pour nettoyer la surface de la hotte. Évitez de mettre de la solution de nettoyage sur ou dans le panneau de commande. Suivez les instructions du nettoyant pour acier inoxydable. **MISE EN GARDE: ne laissez pas trop longtemps, cela pourrait endommager le fini de la hotte.** Utilisez un chiffon doux pour essuyer la solution de nettoyage, frottez délicatement les taches rebelles. Utilisez une serviette douce et sèche pour sécher la cagoule.
- Après le nettoyage, vous pouvez utiliser un poli pour acier inoxydable non abrasif tel que 3M® ou ZEP® pour polir et polir le lustre et le grain de l'acier inoxydable. Toujours frotter légèrement, avec un chiffon de coton propre et avec le grain.
- NE laissez PAS les dépôts s'accumuler ou rester sur la hotte.
- N'UTILISEZ PAS de brosses en laine d'acier ou en acier ordinaires. De petits morceaux d'acier peuvent adhérer à la surface et causer la rouille.
- NE laissez PAS les solutions salines, les désinfectants, les agents de blanchiment ou les produits de nettoyage rester en contact avec l'acier inoxydable pendant de longues périodes. Beaucoup de ces composés contiennent des produits chimiques, qui peuvent être nocifs. Rincer à l'eau après l'exposition et essuyer avec un chiffon propre.

Filtres de nettoyage (déflecteur ou graisse d'aluminium):

IMPORTANT: Vidangez l'huile des réservoirs d'huile avant le débordement d'huile et de résidus!

- Les filtres métalliques installés en usine sont conçus pour filtrer les résidus et les graisses de cuisson. Il n'est pas nécessaire de le remplacer régulièrement, mais il doit rester propre.
- Les filtres doivent être nettoyés toutes les 30 heures d'utilisation.
- Enlevez et nettoyez à la main ou au lave-vaisselle. Vaporisez du détergent dégraissant «Formula 409®» ou équivalent et laissez-le tremper s'il est très sale. Sécher les filtres et les réinstaller avant d'utiliser la hotte.

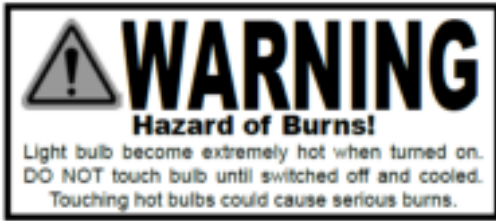
Remplacement des filtres:

- Si les filtres à graisse en aluminium s'usaient en raison de leur âge et de leur utilisation prolongée, veuillez contacter votre revendeur local pour obtenir des filtres de remplacement. (Remarque: remplacez également le filtre endommagé dont le maillage est perforé ou cassé, le cadre plié ou cassé.)

Remplacement de l'ampoule :

- Cette hotte utilise des ampoules à LED (veuillez-vous reporter aux spécifications de la hotte achetée): LED 3W 12V
- Assurez-vous que la hotte est débranchée ou éteignez le disjoncteur.
- Assurez-vous que les lampes sont froides au toucher, alignez soigneusement la flèche de la bague intérieure sur la flèche de la bague extérieure où il est indiqué «OUVERT». L'anneau intérieur se desserre et l'ampoule peut être retirée. Installez une nouvelle ampoule halogène et inversez les étapes.
- Allumez le disjoncteur et la hotte de cuisinière pour tester le fonctionnement.





Remplacement de l'ampoule à l'aide de l'ouvre-bague intérieure:

- Assurez-vous que la hotte est débranchée ou éteignez le disjoncteur.
- Assurez-vous que les lampes sont froides au toucher, alignez soigneusement la flèche de la bague intérieure sur la flèche de la bague extérieure où il est indiqué «OUVERT» avec l'ouvre-bague interne, comme illustré à la Figure 1.
- La bague intérieure se desserrera et l'ampoule pourra être retirée, comme illustré à la figure 2.



Figure 1.

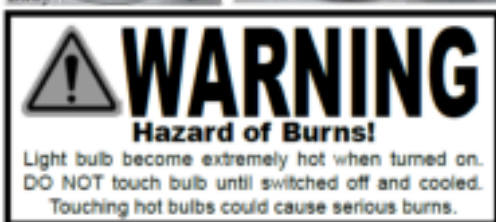


Figure 2.

- Installez une nouvelle ampoule et inversez les étapes.
- Allumez le disjoncteur et la hotte de cuisinière pour tester le fonctionnement.

Remplacement du luminaire LED:

- Cette hotte utilise des luminaires à LED: 3W Max 12V LED
- Assurez-vous que la hotte est débranchée ou éteignez le disjoncteur et les lumières sont froides au toucher.
- Placez un tournevis à tête plate entre le boîtier de la lampe et le corps de la hotte, soulevez doucement le boîtier de la lampe et recherchez le clip en métal.
- Appliquez une force sur le clip en métal et sortez le luminaire. Débranchez le câble d'alimentation et jetez le vieux luminaire.
- Inversez les étapes pour installer un nouveau luminaire halogène. Allumer le disjoncteur et la hotte de cuisinière pour tester le fonctionnement.



GARANTIE

POUR OBTENIR UN SERVICE SOUS GARANTIE: Vous devez présenter une preuve de la date d'achat originale.

Veillez fournir un justificatif d'achat daté et original (facture / facture) afin d'obtenir un service sous garantie.

Garantie d'un an sur les pièces:

Pendant un an à compter de la date d'achat d'origine, votre revendeur local fournira gratuitement des pièces de rechange non consommables ou des composants défectueux en raison de défauts de fabrication. Sous réserve des conditions et restrictions énoncées ci-dessous, votre revendeur local réparera ou remplacera, à sa discrétion, toute partie de ses produits qui se révélerait défectueuse en raison de malfaçons ou de matériaux. Les pièces réparées ou les produits de remplacement seront fournis par votre revendeur local sur une base d'échange et seront neufs ou remis à neuf pour être fonctionnellement équivalents à neufs. Le consommateur est responsable de tous les frais d'expédition. Les pièces consommables non couvertes par cette garantie comprennent, sans toutefois s'y limiter: ampoules électriques, filtres en métal, aluminium et charbon.

Qui est couvert:

Cette garantie est étendue à l'acheteur d'origine pour les produits achetés pour un usage domestique ordinaire.

Cette garantie sera annulée lorsque:

Produit endommagé par négligence, installation incorrecte, accident, utilisation abusive, mauvaise utilisation, catastrophe naturelle, alimentation électrique insuffisante ou excessive, conditions mécaniques ou environnementales anormales, ou tout démontage, réparation, modification ou manquement non autorisé aux instructions d'installation. Lorsque le produit est utilisé dans le commerce ou à une autre fin que celle prévue. Endommagé par une mauvaise connexion avec des équipements d'autres fabricants. Réparé ou modifié par toute personne autre que les agents agréés de votre revendeur local. Cette garantie limitée ne s'applique pas non plus aux produits sur lesquels les informations d'identification originales ont été altérées, effacées ou supprimées, n'ont pas été manipulées ou conditionnées correctement ou vendues comme de seconde main.

Ce qui n'est pas couvert:

Les pièces consommables telles que les ampoules électriques, les filtres métalliques et les filtres à charbon. L'usure naturelle du fini et l'usure due à un mauvais entretien, à l'utilisation de produits de nettoyage corrosifs et abrasifs, de tampons et de produits nettoyants pour le four. Chips, bosses ou fissures dus à une utilisation abusive, abusive, aux dommages causés au transport ou à une installation incorrecte. Dommages causés au produit par un accident, un incendie, une inondation ou un cas de force majeure. Le fabricant et / ou le distributeur / revendeur ne peut être tenu responsable des pertes de propriétés ni des coûts associés à la suppression, à la maintenance, à l'installation ou à la détermination de la source des problèmes avec ce produit et ne couvre pas sous garantie.

Cette garantie est valable dans le pays d'achat initial chez le détaillant. Il est non transférable et s'applique uniquement à l'acheteur d'origine et ne s'étend pas aux propriétaires suivants de ce produit. Toute garantie implicite applicable, y compris la garantie de qualité marchande, est limitée à une période de garantie expresse telle que prévue aux présentes à compter de la date de l'achat initial chez le détaillant et aucune garantie, expresse ou implicite, ne s'appliquera à ce produit par la suite.

Pour bénéficier du service de garantie, vous pouvez contacter votre revendeur local auprès duquel vous avez acheté ce produit. Veuillez confirmer les conditions de la politique de votre revendeur local avant de contacter. En règle générale, vous devez inclure les informations d'identification du produit, notamment le numéro de modèle et le numéro de série, avec une description détaillée du problème rencontré. Vous devez également inclure une preuve de la date d'achat d'origine dans le commerce de détail comme preuve que le produit est dans la période de garantie applicable.

Avertissement

Inspectez soigneusement tous les articles pour les dommages avant d'accepter la livraison. Notez tout dommage sur la facture de transport ou le reçu express. Demandez le nom et la signature de l'agent du transporteur et conservez-en un exemplaire à l'appui de votre demande. Dès l'acceptation des articles, le propriétaire assume la responsabilité de son arrivée en toute sécurité. Signalez les dommages au transporteur et déposez immédiatement une réclamation. Ne pas le faire peut entraîner le refus de votre demande. Le transporteur vous fournira les formulaires nécessaires pour déposer une réclamation.

Les dommages causés pendant le transport ne sont pas couverts par notre garantie. Veuillez nous contacter pour déposer une réclamation d'assurance.

Veuillez inspecter le contenu du ou des colis avec soin lors de la réception! Nous devons être informés de tout dommage et / ou pièces manquantes dans les cinq (5) jours suivant la réception de votre / vos colis. Les réclamations ne seront pas acceptées après cinq (5) jours. REMARQUE: Les articles ont été minutieusement testés et soigneusement emballés dans notre usine avant expédition.

Les produits doivent être retournés en bon état de fonctionnement avec TOUTES les pièces d'origine et la documentation emballées dans TOUS les cartons d'origine, les cartouches de remplissage et les cartons d'expédition. Des frais de réapprovisionnement de 15% seront facturés pour tous les retours approuvés. Les échanges ou les retours peuvent ne pas être acceptés s'il manque un emballage.

Assurez-vous d'inspecter la hotte à la recherche de dommages et de défauts avant l'installation. Défauts d'aspect de la hotte trouvés

après l'installation et n'affectant pas les performances de la hotte, notre garantie ne couvre pas les retours ou les échanges. Les visites de service non couvertes par la garantie entraîneront des frais de service.

Avant l'installation: Retournez pour échange ou remboursement (voir ci-dessus pour les retours acceptables).

Après l'installation: AUCUN échange ou remboursement.

Contactez-nous

Si vous avez besoin d'aide, veuillez contacter votre revendeur local. Ayez votre numéro de commande et le modèle de la hotte. Cette information les aidera à mieux répondre à votre demande.

Si vous avez besoin de pièces de rechange, nous vous recommandons d'utiliser uniquement des pièces d'origine. Nos accessoires et pièces sont conçus et conçus spécifiquement pour cette série de hottes de cuisinière. Chacune est rigoureusement testée pour assurer une durabilité et une fiabilité optimales, offrant ainsi une compatibilité et une apparence d'usine ainsi que des fonctionnalités adaptées à chaque modèle de hotte de cuisine.

