

12V

2Ah

NLP5



INSANE PERFORMANCE. LITHIUM POWERSPORT BATTERY.™

2X

MORE POWER.

10X

MORE STARTS.

5X

LONGER LIFE.

DYNAMIC BMS.

Equipped with an auto-enabled, advanced battery management system that provides maximum protection, performance, and bi-directional cell equalization for long-lasting stability. No BMS reset needed.

ACTIVE PROTECTION.

Protects against over-charge, extreme-heat, short-circuit, over-discharge, extreme-cold, and over-current.

SHOCK ABSORPTION.

Designed with a custom rubber dampening base and foam inserts to extend the life of the battery and keep connections secure.



NOCO

30339 Diamond Parkway, #102
Glenwillow, OH 44139 | USA
1.800.456.6626

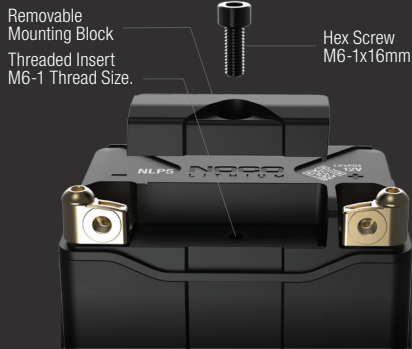
no.co

NOCO
LITHIUM

NOCO

UNIVERSAL MOUNTING.

Modular spacers can be added to alter the size and allow the battery to be safely and securely mounted. A removable mounting block allows the battery to fit more applications. The threaded insert enables direct-mounting for additional simplicity and security.



FEMALE.



SIDE.



TOP.



FRONT.



MULTI-CONNECTION TERMINALS.

Equipped with premium IP66 waterproof copper PCB plates. NLP Terminals can be mounted from the front, side, or top, and can be removed altogether depending on the application.



COMPATABLE SIZES.

BCI SIZES

BTZ7S
BTZ8V
BTX4L-BS
BTX5L-BS
BTX7L-BS
BTZ5S

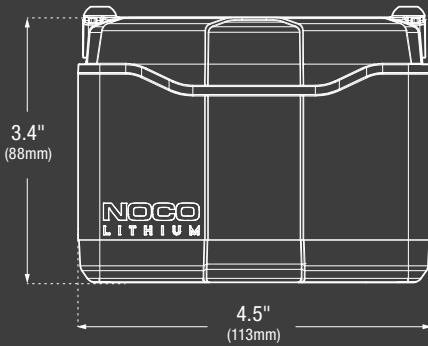
YUASA SIZES

YTZ7S
YTZ8V
YTZ5S-BS
YTX4L-BS
YTX5L-BS
YTX7L-BS

ETX SIZES

No Compatible Sizes.

WHAT'S IN THE BOX



*Accessories not to scale with NLP5

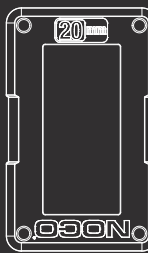
M6 Hex Screw
1mm x 8mm



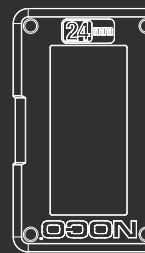
M6 Hex Screw
1mm x 16mm



(1) 0.8" 20mm Spacer



(1) 0.9" 24mm Spacer



M6 Hex Screw
1mm x 10mm



Hex Key



User Guide



RECHARGE TIME

GENIUS1	120 Minutes
GENIUS2	60 Minutes
GENIUS5	24 Minutes
GENIUS10	N/A

RAPID RECHARGE.

Use the Lithium mode on a Genius charger to fully recharge an NLP battery in minutes. See Genius models and charging times below.

TECHNICAL SPECIFICATIONS

BCI SIZE:	5
CHEMISTRY:	Lithium Iron Phosphate (LiFePO4)
NOMINAL VOLTAGE:	12.8
AMP-HOURS:	2
WATT-HOURS (WH):	25.6
STARTING CURRENT:	250
CHARGING VOLTAGE (V):	14.6V
CHARGING CURRENT (A):	6A (Max)
OPERATING TEMPERATURE:	-20°C to 60°C
CHARGING TEMPERATURE:	-10°C to 50°C
STORAGE TEMPERATURE:	-20°C to 60°C
WEIGHT:	1.5 lbs (0.69 kg)
VOLUMETRICS:	<p>Retail Packaging: Dimensions: 5.87" x 4.17" x 4.65" Weight: 2.44 lbs UPC: 0-46221-19007-6</p> <p>Master Carton: Dimensions: 13.50" x 6.18" x 10.63" Weight: 15.93 lbs Quantity: 6 UCG: 10046221190073</p> <p>Inner Carton: Dimensions: 6.02" x 4.37" x 5.04" Weight: 2.56 lbs</p> <p>Units Per Pallet: 378 Units</p>



30339 Diamond Parkway, #102
Glenwillow, OH 44139 | USA
1.800.456.6626

no.co

