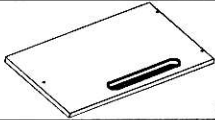

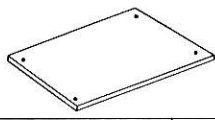
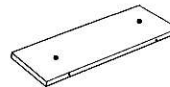
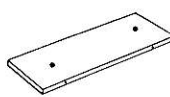

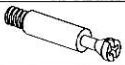


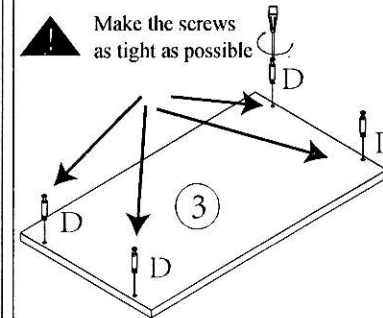


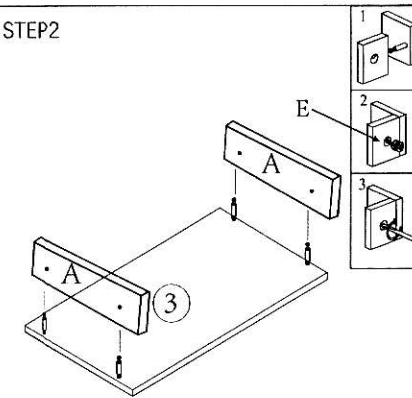
Parts check-list

No	Description	Qty
①	 right	1
②	 left	1
③		1
A	 narrow	2
B	 wide	2
C	 cover	8
D		8
E		8
F		2

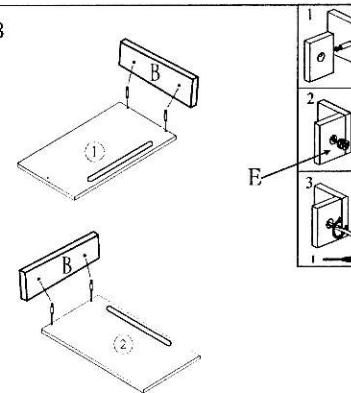
STEP1



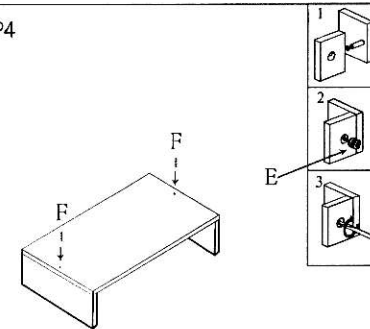
STEP2



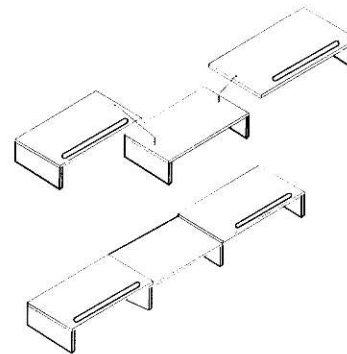
STEP3



STEP4



STEP5



STEP6

