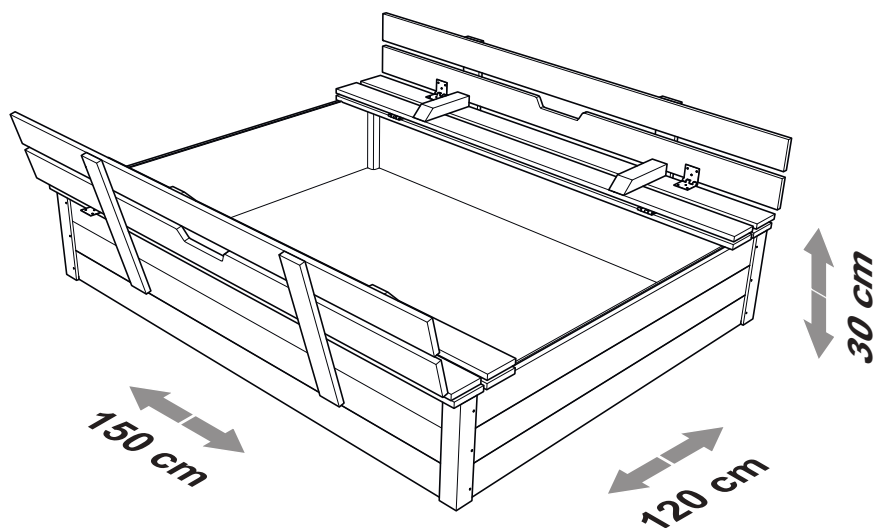


Sandbox / Sandkasten / Zandbak

# P-G Tommy de Luxe XL

150 x 120 x 30cm



Art. number: 8911

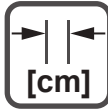


8 719325 289114



Impregnation / KDI: Impralit KDS





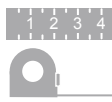
T1



T2



T3



T4



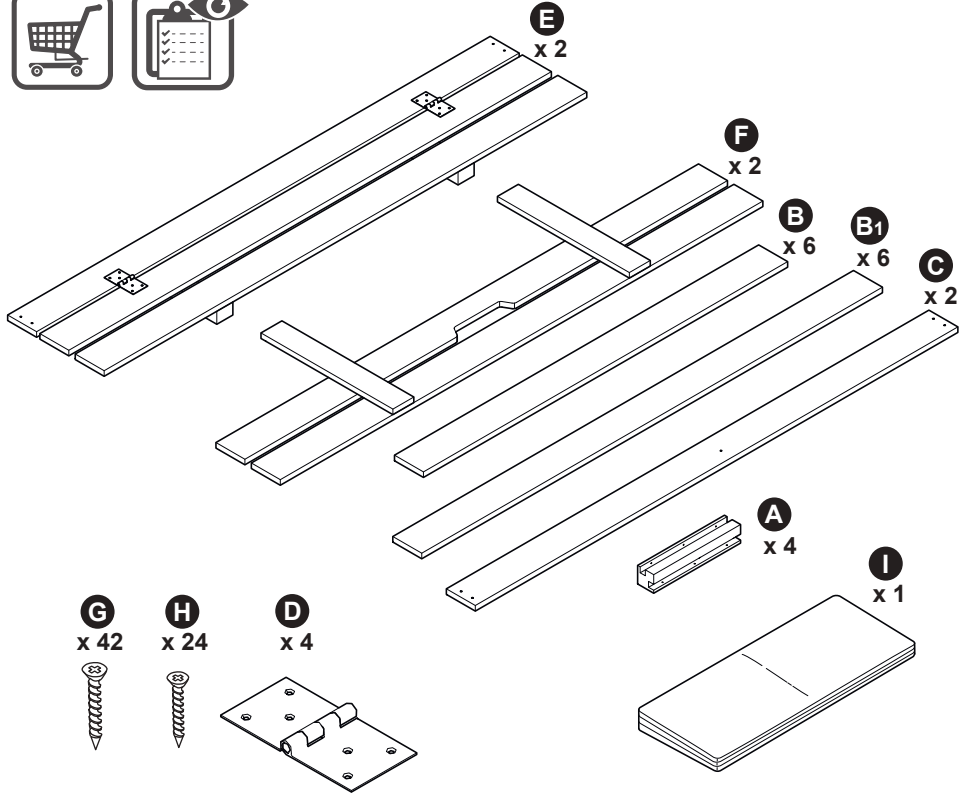
T5



T6



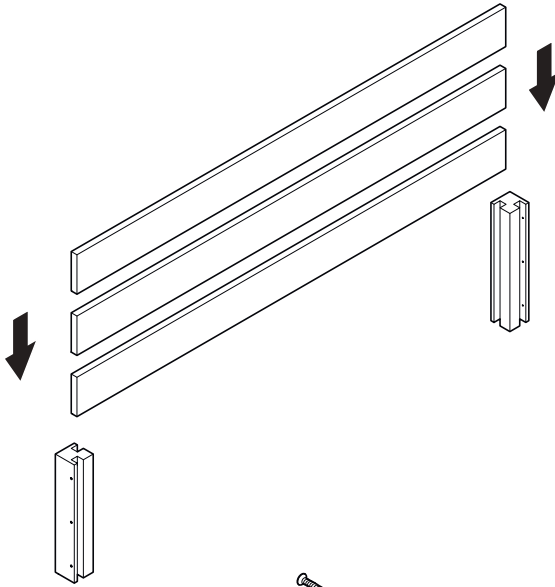
T7



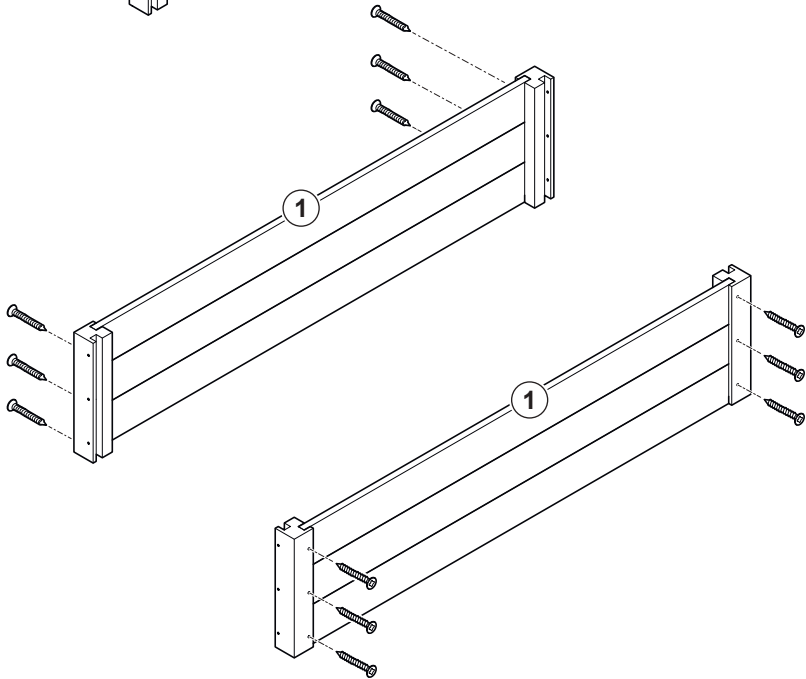
**A** x 4



**B** x 6

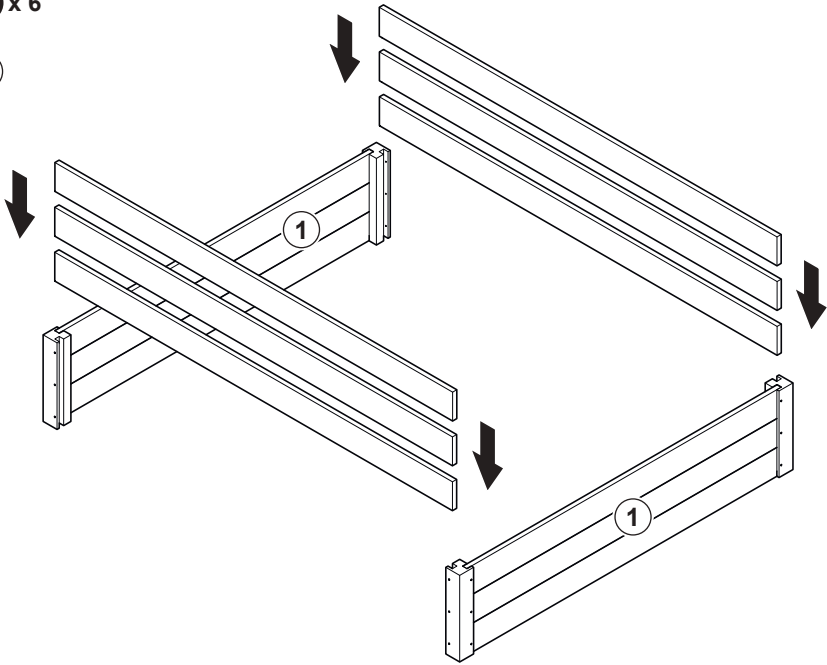


**G**  
x 12



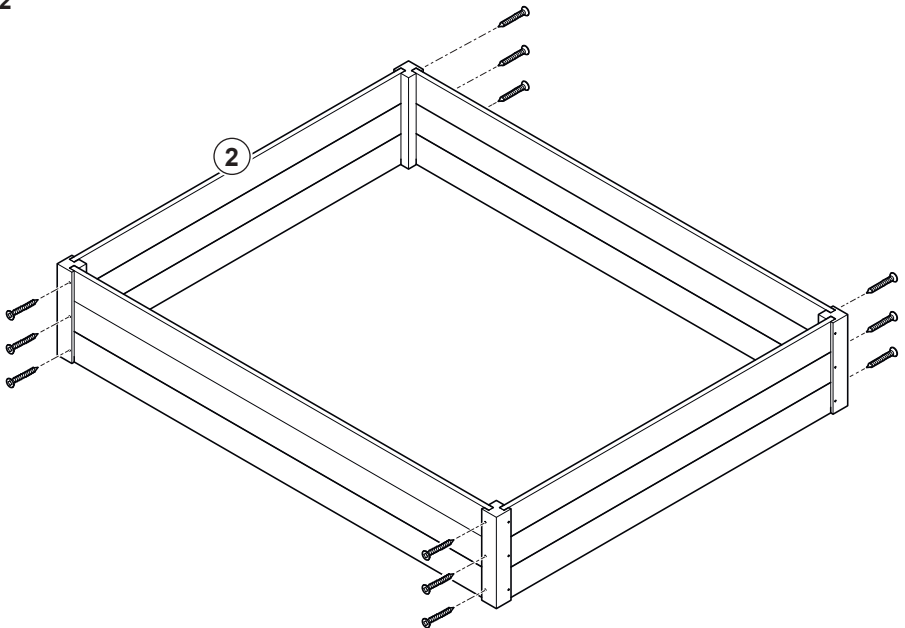
**B1** x 6

1

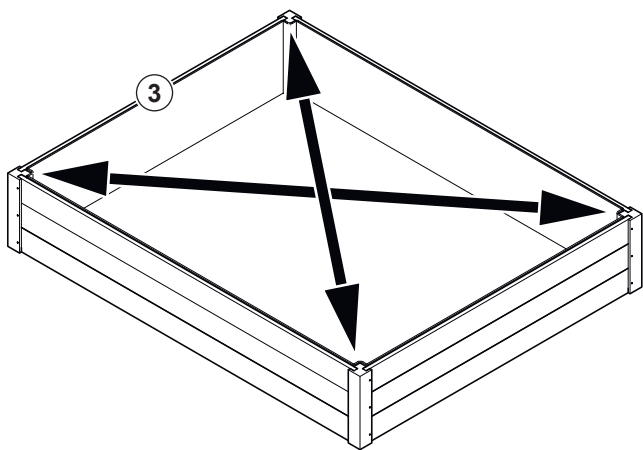
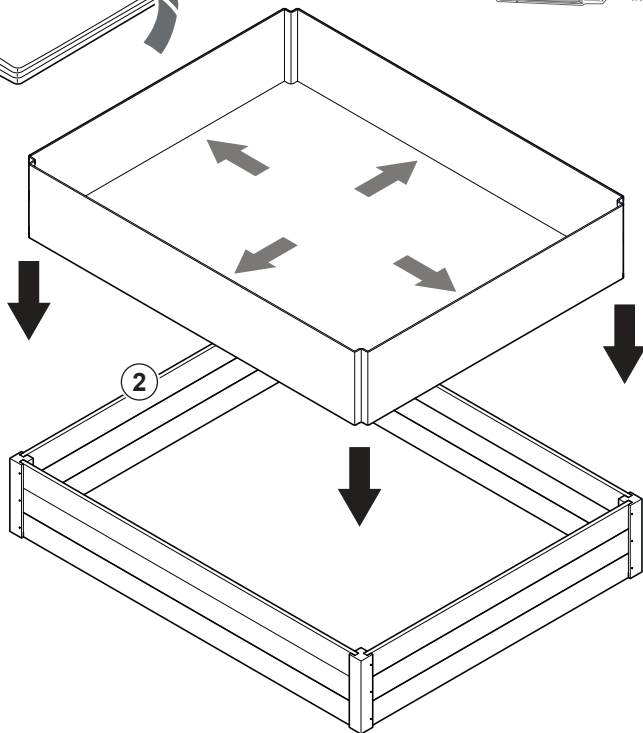
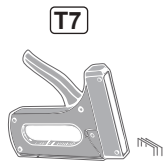
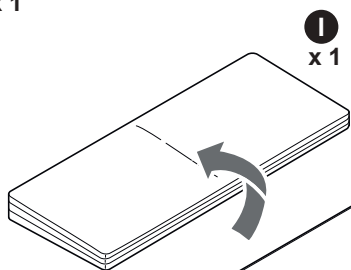


**G**

x 12

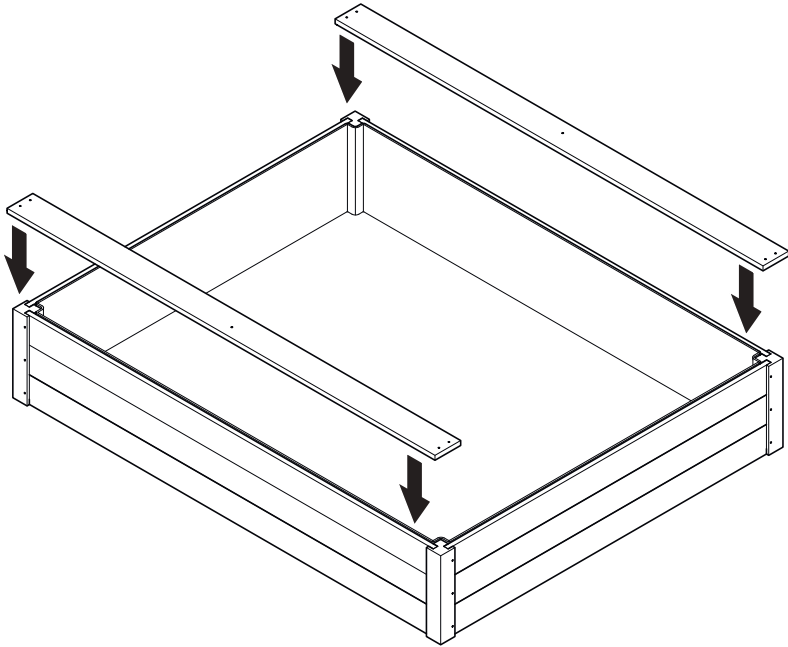


1 x 1  
2  
T7

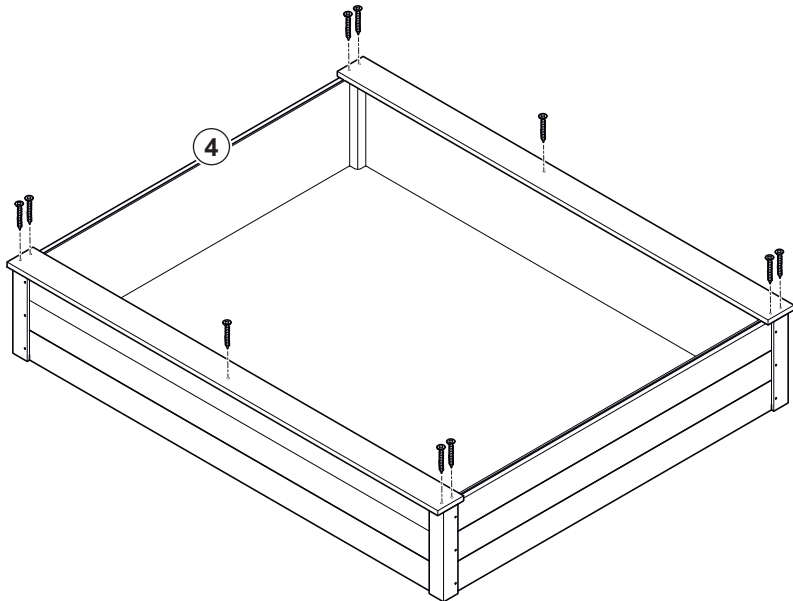


**C** x 2

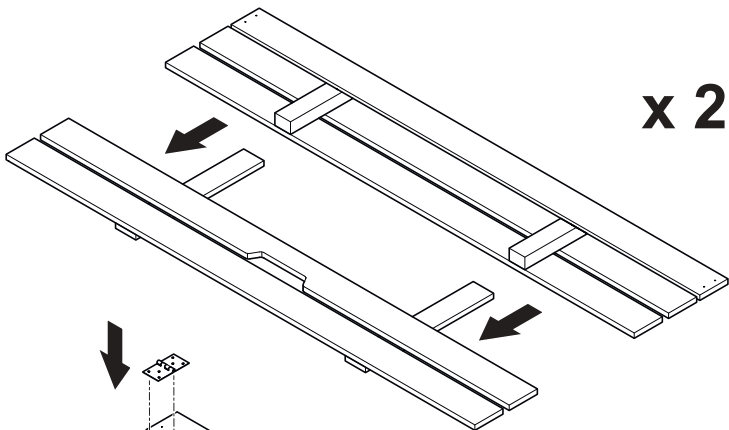
3



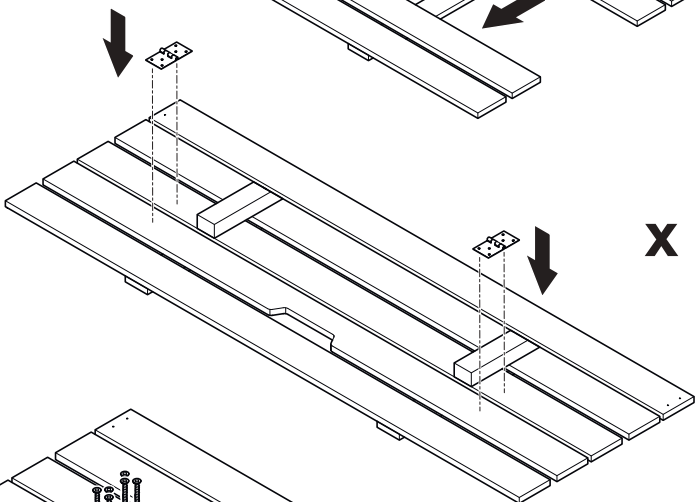
**G**  
x 10



**E** x 2  
↓  
**F** x 2  
↓  
**D** x 2

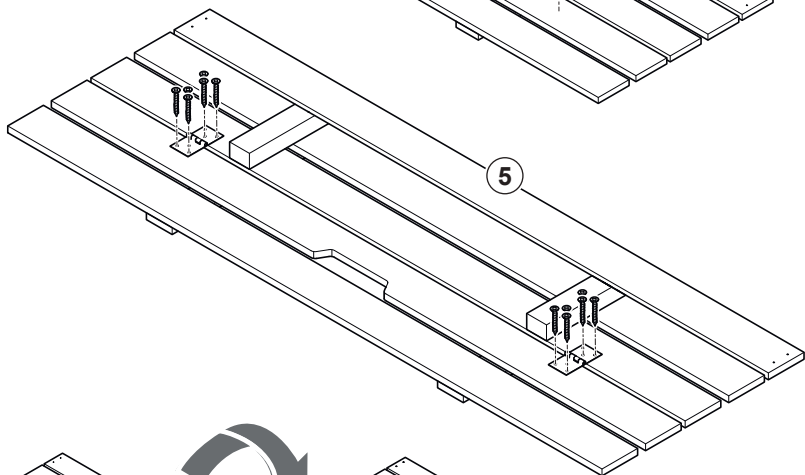


**x 2**

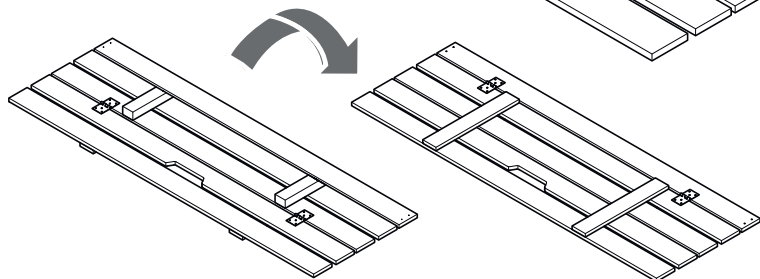


**x 2**

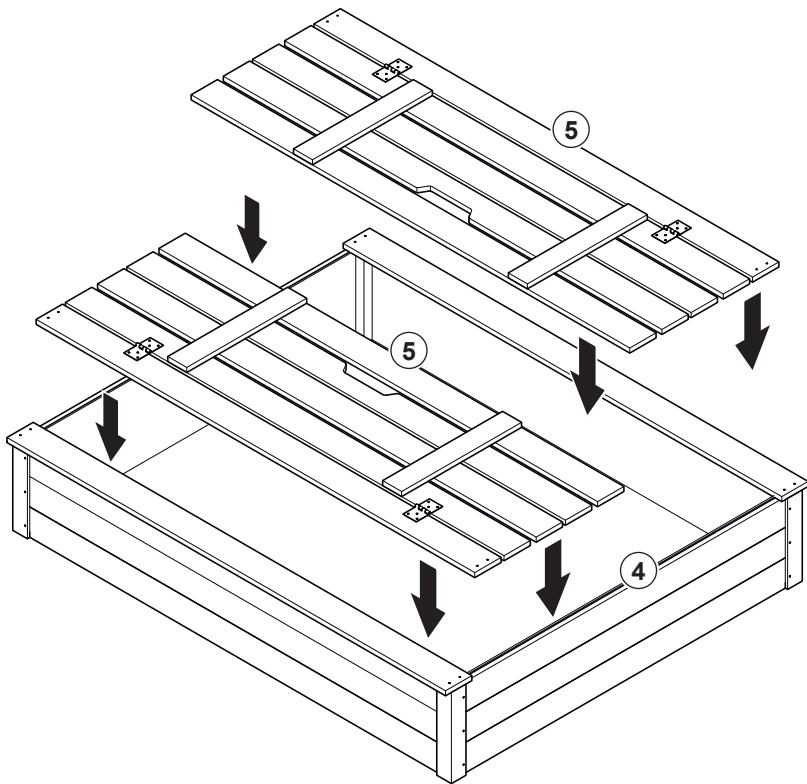
**H**  
x 12



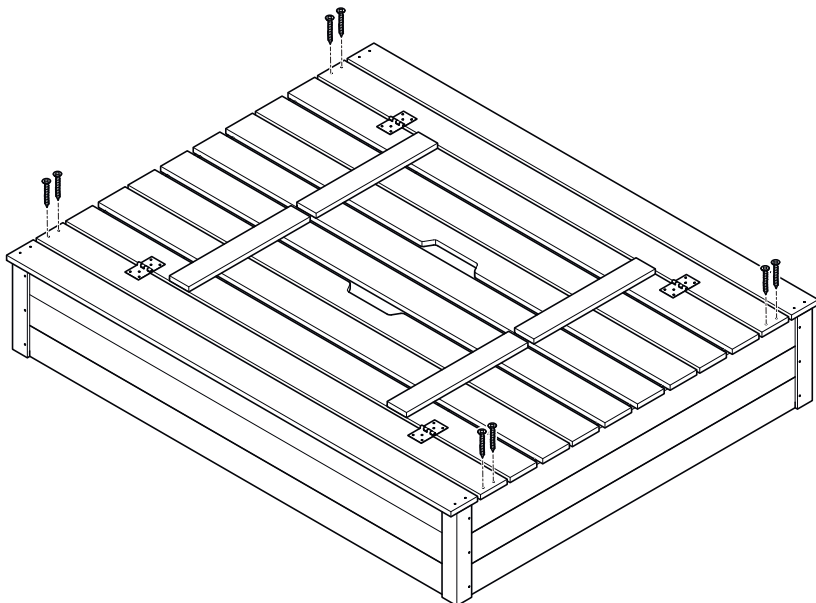
**5**



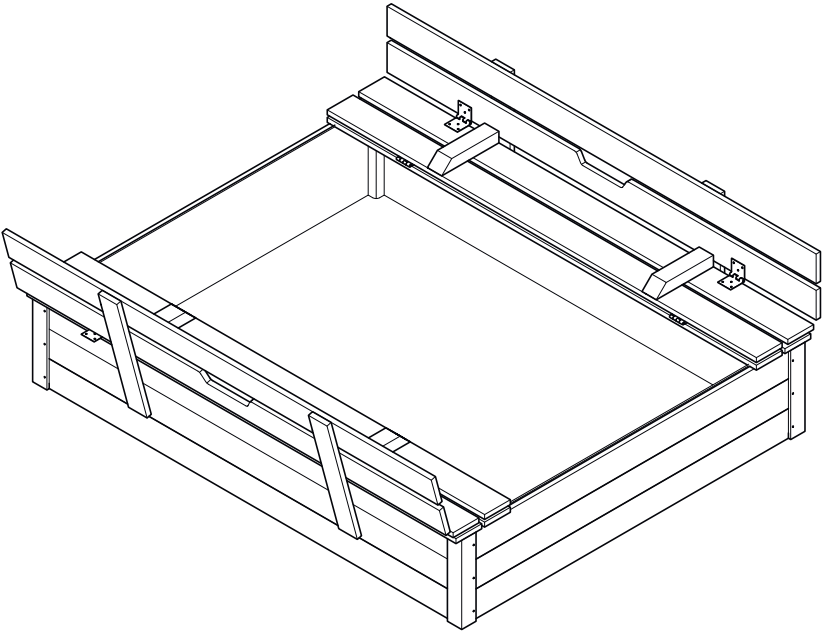
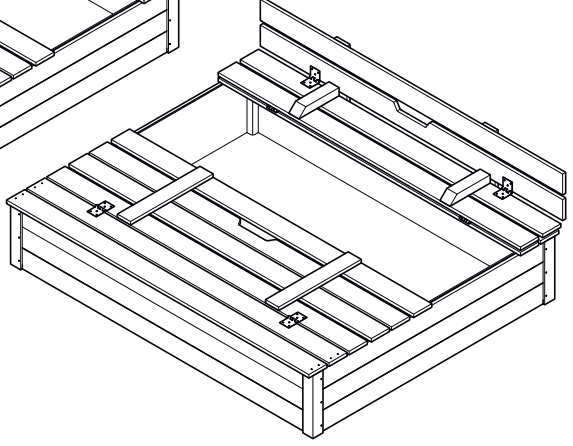
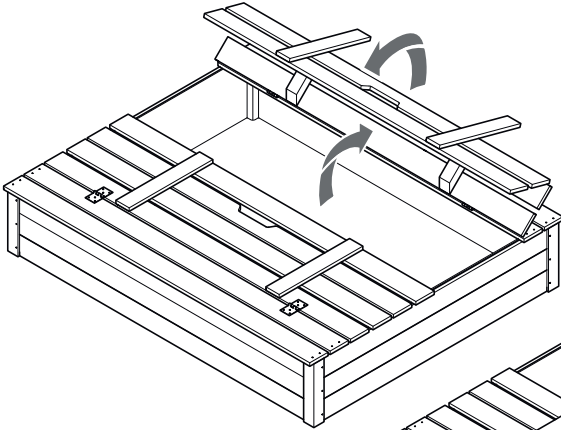
5 x 2



G  
x 8







# Declaration of Conformity:

1. **Article number:** EAN: 8719325289114  
Art. nr.: 8911

2. **Manufacturer:** Prestige-Garden  
Stationsstraat 38  
3881 AD Putten  
The Netherlands

3. **This declaration of conformity is issued under the sole responsibility of the manufacturer:**

Prestige-Garden  
Stationsstraat 38  
3881 AD Putten  
The Netherlands

4. **Object of declaration:** Premium Sandbox + Seats / P-G Tommy de Luxe XL  
150 cm x 120 cm x 30 cm

5. **References to the relevant harmonised standards used or references to the specifications in relation to which conformity is declared:**

EN71 Part 1:2014  
EN71 Part 2:2011 + A1:2014  
EN71 Part 3:2013 + A1:2014

6. **Signed for and on Behalf of Prestige-Garden**

Putten, 16th of April 2019

J. de Bruin

A handwritten signature in black ink, appearing to read 'J. de Bruin', with a long horizontal line extending from the end of the signature.