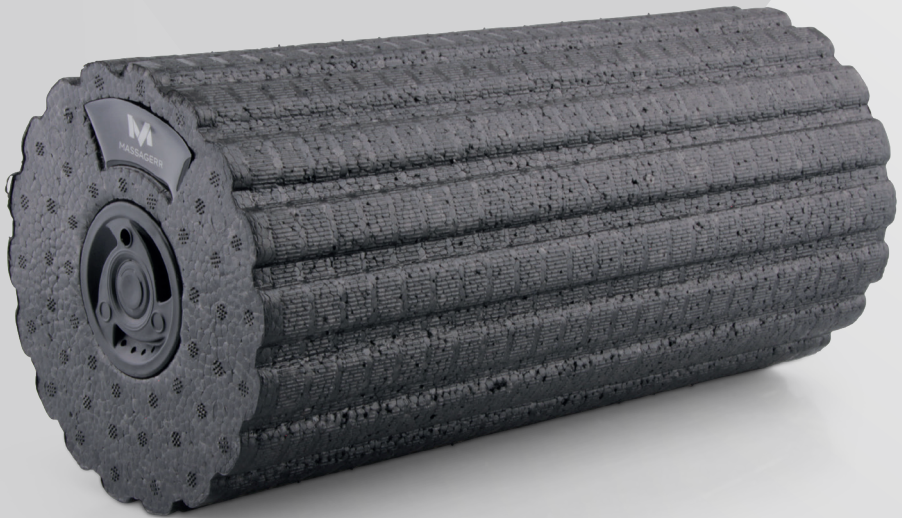




MASSAGERR



VIBRATING FOAM ROLLER

MANUAL

www.massagerr.nl

TABLE OF CONTENTS

www.massagerr.nl

Safe attention	3
Part name	5
Before use	5
Charging method	5
Instructions	6
Product specifications	6
Product custody	7
Troubleshooting	7

Use this product please carefully read the instructions, so as not to cause your property damage, thank you for your understanding!

WARNING

Improper use, resulting in damage to the distinction between the description



Caveat

Improper use, causing death, serious injury.



Note

Improper use, may cause harm to the use.

SAFETY GUIDELINES



Prohibit decomposition

Prohibit improper dismantling.



Power card

If you want to turn off the power, turn all operation controls off and set the power plug out of the outlet

CAVEAT



Forbidden

- Doctors recommend that you can not use the case, prohibit the use, so as not to cause symptoms worse.
- The weight of this product is 150kg. Weighing more than 150 forbidden use.
- Use without the use of the instructions, resulting in an accident.
- Prohibited parts of the use of injury: plastic surgery parts, the skin under the metal, with dermatitis allergies, pain perception, chest, genitals, head, fracture.
- Excessive fatigue is prohibited.



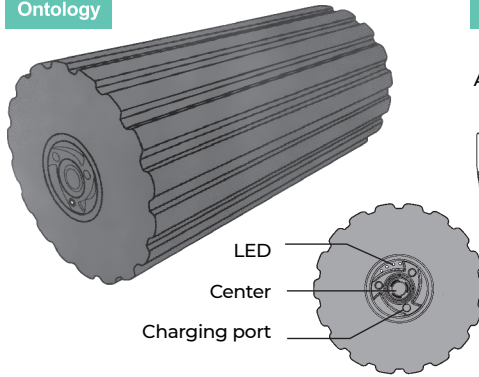
comply with

- Use at the doctor's advice
- People with electromagnetic barriers and implantable medical electronics can not be used.
- Malignant tumor.
- foot blood circulation severe obstacles.
- Pregnant women, and women after production.
- Diabetes patients Hypertension.
- Fatigue.
- body temperature more than 38 degrees, for example: acute inflammation symptoms: burnout, aversion to cold, blood pressure changes, weak.
- Bone roughness, vertebral fractures, acute muscle pain
- Cervical spine injury, spinal stenosis, disc herniation, low back pain, sciatica.
- Doctor during treatment.

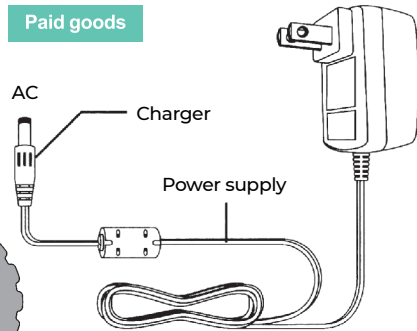
PART NAME

www.massagerr.nl

Ontology



Paid goods



BEFORE USE

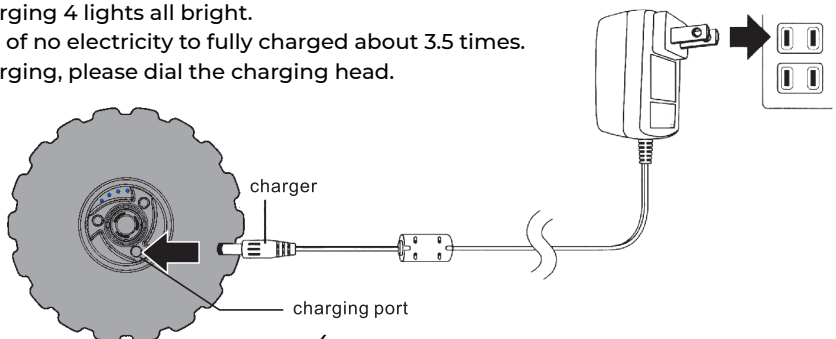
www.massagerr.nl

- The product is not used for a long time, the battery duration is short, please use after charging.
- Make sure that the body is not damaged before use.
- If there is an abnormality please stop using, contact the manufacturer for repair.
- This product is vibration. Please pay attention to the use of peripheral security

CHARGING METHOD

www.massagerr.nl

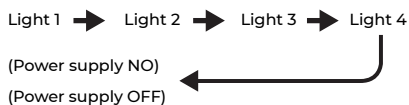
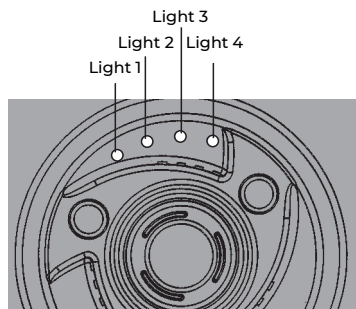
- 1 Body charging port connected to the charge head.
 - 2 AC charging plug connected to the home plug.
 - 3 Charge start, 1 lights light.
 - 4 After charging 4 lights all bright.
- ※ The state of no electricity to fully charged about 3.5 times.
- 5 After charging, please dial the charging head.



INSTRUCTIONS

www.massagerr.nl

- Product vibration is divided into four stages



Vibration power supply for about 1 minute automatically stop.

PRODUCT SPECIFICATIONS

www.massagerr.nl

Power Supply	Rechargeable type, battery capacity 7.4V, 2200mAh
Charging time	About 3.5 hours (full of electricity)
Charge & discharge possible return	About 350 times
Battery duration	The longest is about 180 minutes The shortest is about 50 minutes
Fixed use time	About 10 minutes
Vibration return	1:2300 back / minute 2:2700 back / minute 3:3100 back / minute 4:3700 back / minute
Use ambient temperature	106-406
Bear weight	150kg
Inch method	150x310mm
Weight	746g
Accessory	Manual
Producing country	China
Pay attention to the actual time, number of return and use, and the environment in which the product is used.	

※ Actual use time, number of times, use, and use of the environment light.

PRODUCT CUSTODY

www.massagerr.nl

The amount of electricity	AC100 - 240V (50/60Hz) 0.28A
Power supply	DC9V 1000mA

- Use this product, remember to stop running, or remove the plug.
- Use a dry cloth to wipe.
- Products to be placed in a dry place maintenance, not on the sewage, humidity, a large place.
- If there is liquid, liquid medicine, soup and so on the product, please repair and then use.

- If the battery is fully charged, remove the plug
- Products to be placed in a dry place maintenance, not on the sewage, humidity, a large place. Please do not keep your child in touch
- Do not use for a long time, please put it in a dry place



Li-ion







This product is batteryed.

TROUBLESHOOTING

www.massagerr.nl

Abnormal situation	Confirm the fault
Product without vibration	● Is the power connection of the charging good?
	● The on / off button is on and the machine can be used during charging
Weak vibration	● Is the power connection of the charging good?
After charging, the battery is used for a short time	● Whether the ambient temperature is too low or TOO hot, the ambient temperature is 10 to 40 degrees
	● The product is not used for a long time, the battery duration is short, please use after charging
Suddenly stop working	● Automatic stop after 10 minutes of use
Abnormal sound	● product structure, to some extent, there is a voice. If it is relatively large, please do not use

CAVEAT

 <p>Comply with</p>	<ul style="list-style-type: none"> ● Please do not use this product for a long time, so as to avoid physical discomfort. ● Do not use this product in a cold place to a warm place. ● use of dyspnea, pain, muscle discomfort, etc., please do not use, under the guidance of a doctor and then use. ● Please confirm the use of the product before the damage, if there is damage, please contact us to repair. 	 <p>For-bidden</p>	<ul style="list-style-type: none"> ● Do not use the power supply insulation of the plug, so as not to appear in the fire, electric shock. ● Do not use the product other than the original product. ● Do not use this product in the bathroom, outside the humidity of the place to use, so as to avoid electrical failure. ● The metal sheet for charging this product.
 <p>Forbidden</p>	<ul style="list-style-type: none"> ● Use the place to keep, accident, cause of the malfunction Do not put the child can touch the place, do not put the bathroom next to the heating, do not put the sun direct high temperature place, do not put in high humidity, Do not place in the vibration of the place, do not place in a strong electromagnetic field. ● Do not use faulty products. ● prohibit the use of the original power equipment, ultra-100V use, in order to avoid a fire. ● Do not use the power supply insulation of the plug, so as not to appear in the fire, electric shock. 	 <p>For-bidden</p>	<ul style="list-style-type: none"> ● Do not touch the power supply with wet hands to avoid electric shock and product malfunction and accident.
		 <p>Prohibit decomposition</p>	<ul style="list-style-type: none"> ● Do not modify or disassemble this product.
		 <p>Power card</p>	<ul style="list-style-type: none"> ● Product plug to be careful to use, in order to avoid fire, electric shock and other accidents. ● If the product appears abnormal sound, smell, etc., please stop using the product, so as to avoid fire, electric shock and other accidents. ● Such as thunder and lightning, etc. Please do not use this product.



MASSAGERR



Follow us on Instagram
www.massagerr.nl

CE