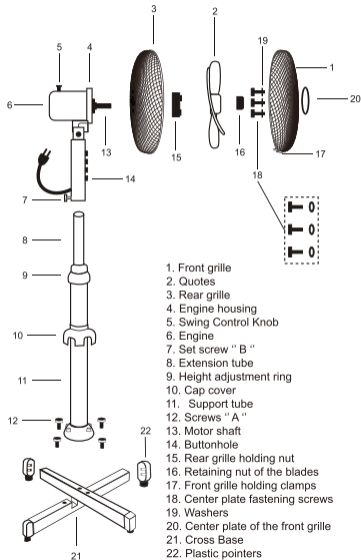


BRASQ®

USER MANUAL

F300



Assembly instructions

1. Insert the plastic pointers (22) into the end of the cross foot pipes (21).
2. Secure the support tube (11) to the cross base (21) using the 4 "A" screws (12).
3. Insert the foot cover (10) through the support tube to the lowest part.
4. Extend the extension tube (8) and then tighten it with the height adjustment ring (9).
5. Place the motor and button assembly over the extension tube (8), and then tighten the screw "B" (7).
6. To finish, install the rear grille by tightening it with the adjusting nut (15), then set the blades (2) and tighten them with the nut (16). Install the center plate (20) on the front grille (1) using the 3 screws (18) and their washers (19). Attach the front grille (1) to the rear grille (3) using the securing clips (17).
7. To adjust the direction and height, loosen the height adjustment ring (9) and then extend the extension tube (8) to the desired height. Then adjust the height adjustment ring (9) again. You can also adjust the tilt of the motor to the desired angle by means of the hinged motor assembly.
8. If the blades are shaken too much, try to orient them, rotating them a bit, and then adjust them again.
9. Do not insert your fingers or any other object into the grids, rotating the blades could cause severe injury.

