

Model 213/213-F






Avyna




Rectangular trampolines

Assembly manual

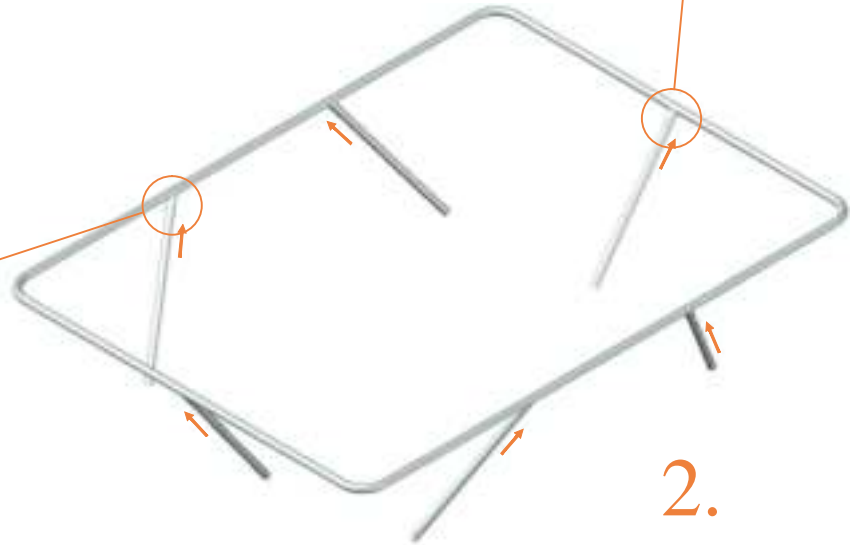
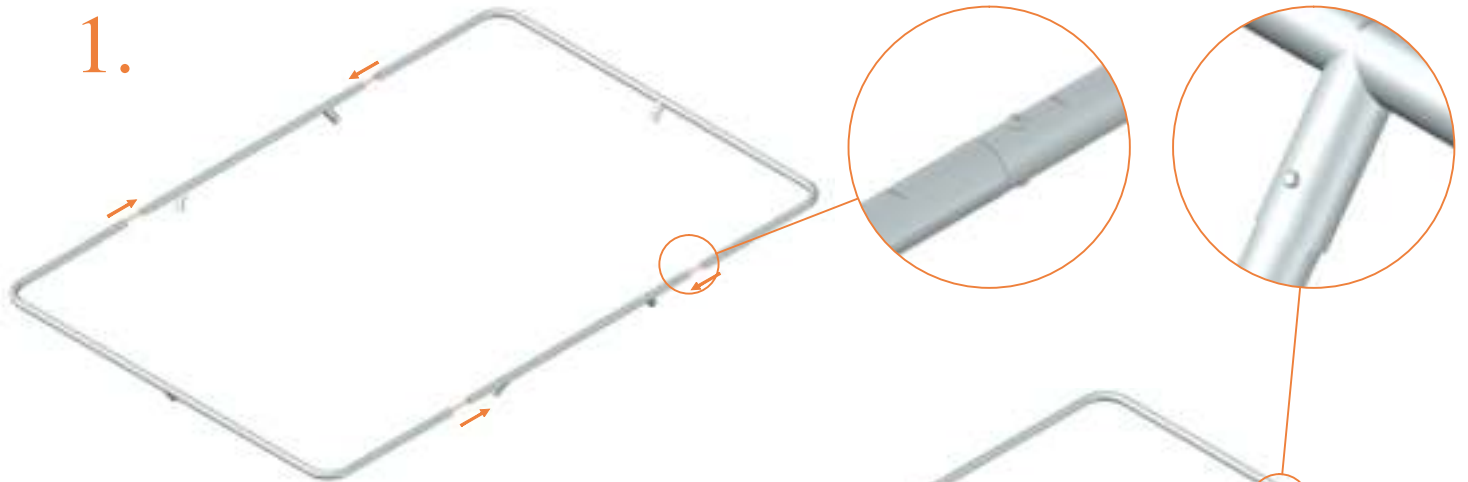
# Model 213



Model 213 275x190 cm			
	Quantity	Part number	
Jumping mat	1	TEPL-213-222	
Galvanized spring L=175mm ø3.2mm	46	TEPL-200-211/C (red cap)	
Galvanized spring L=175mm ø3.8mm	10	TEPL-200-211/C (green cap)	
Safety pad	1	TEPL-213-333-green or AVGR-213-333-grey or CAM-213-333-camouflage	
Fastener for Safety pad	8	TEPL-ELAS-A	
W-tube	2	TEPL-213-111	
I-tube, L=520mm	4	TEPL-213-1121	
I-tube, L=650mm	2	TEPL-213-1122	
C-tube	2	TEPL-213-1142	
K-tube	2	TEPL-213-1141	
Screw M6	4	M6x45	

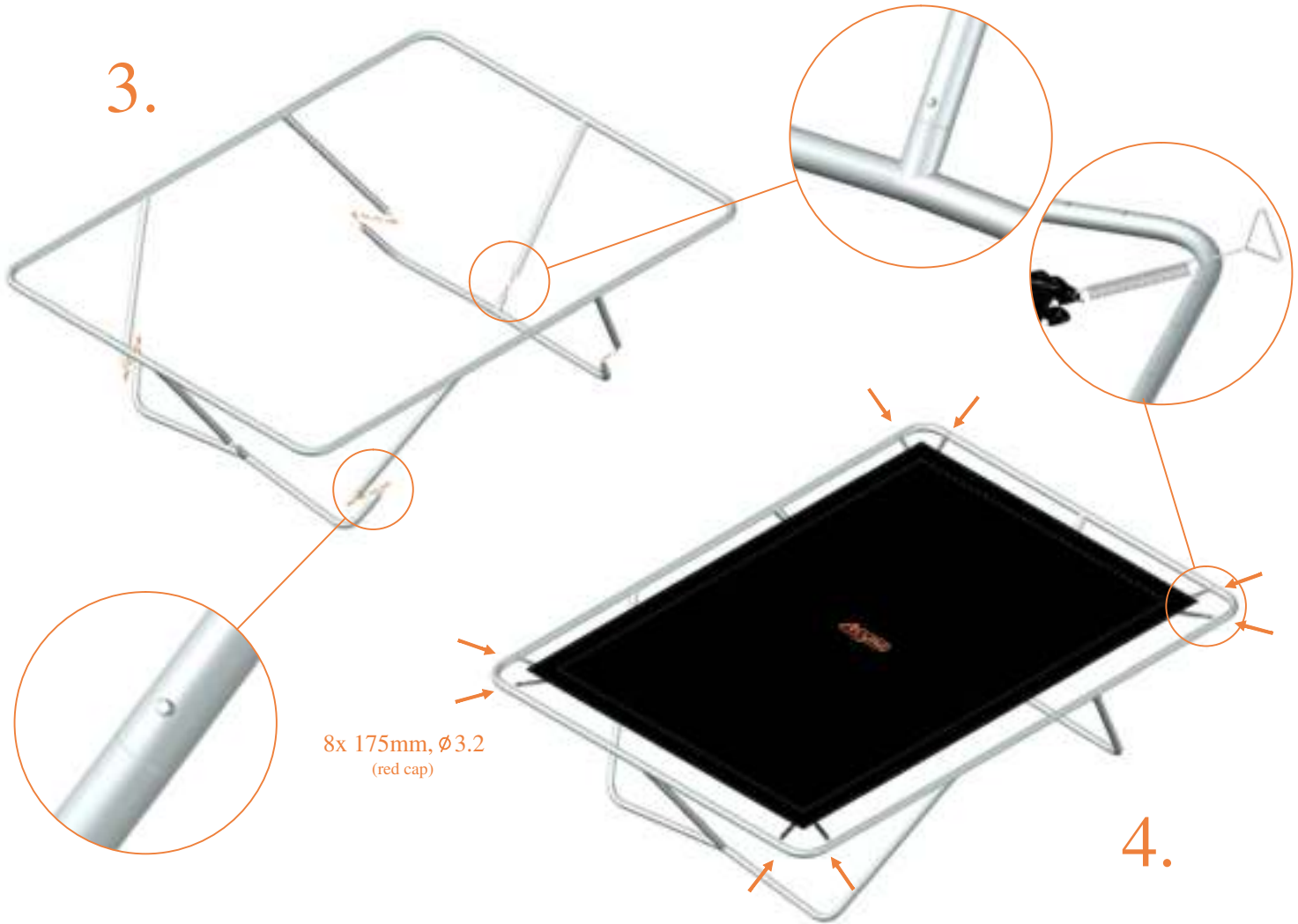
Model 213 275x190 cm			
	Quantity	Part number	
Tool for spring	1	TOOL-SPRING	
Fastener for Safety pad	20	TEPL-ELAS-B	
Allen key	2	ALLEN-KEY	
Users Manual	1	208010101	
Warning Card	1	208040101	
Tie rip for warning card	1	209010102	
Safety manual	1	208010301	

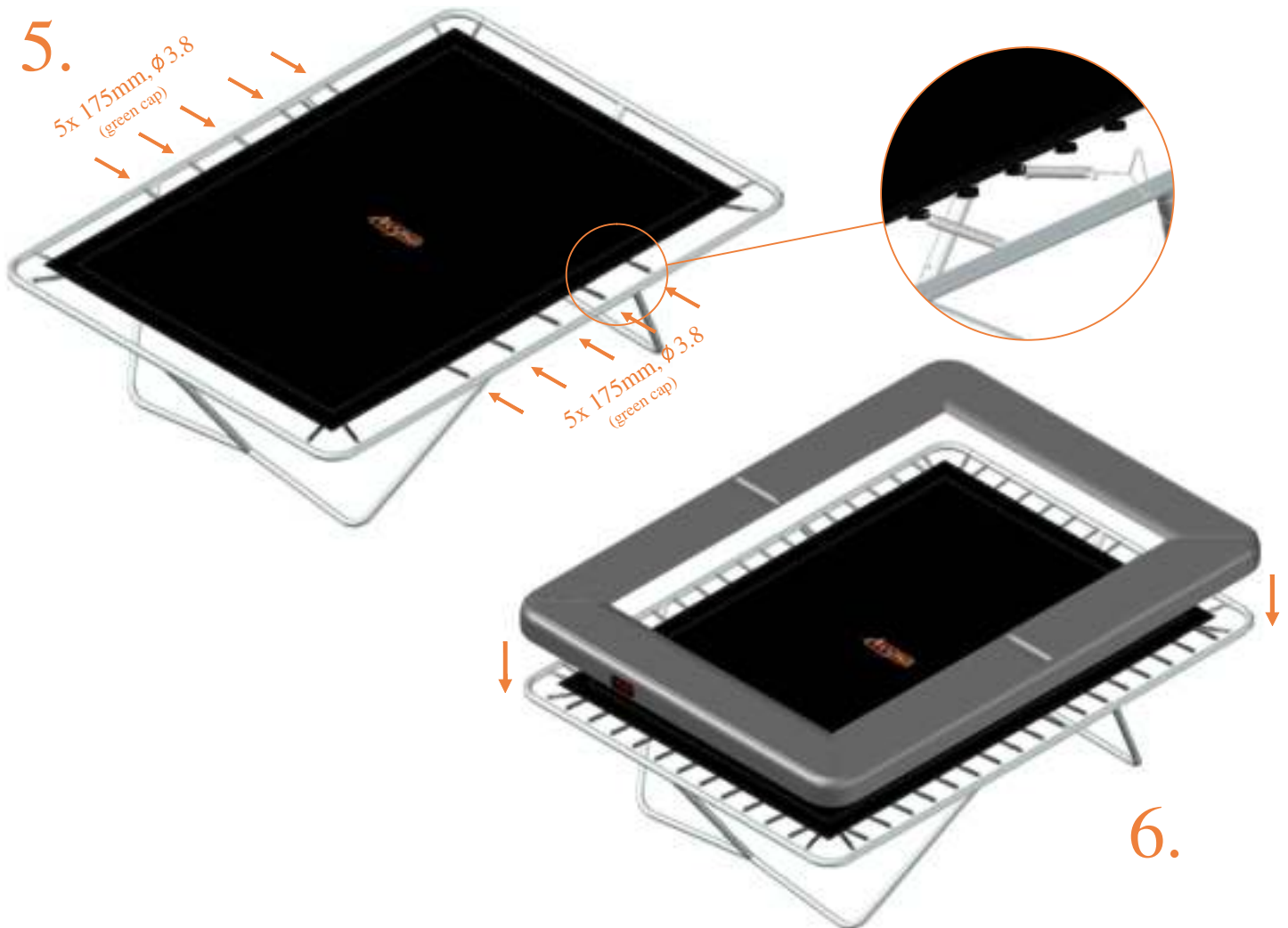
1.



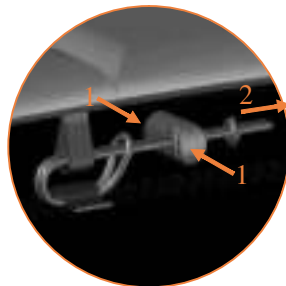
2.

3.





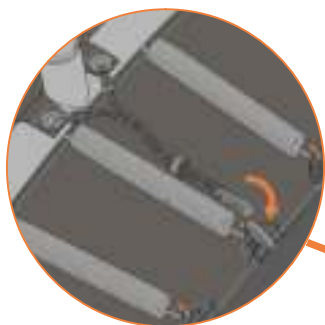
TEPL-ELAS-B



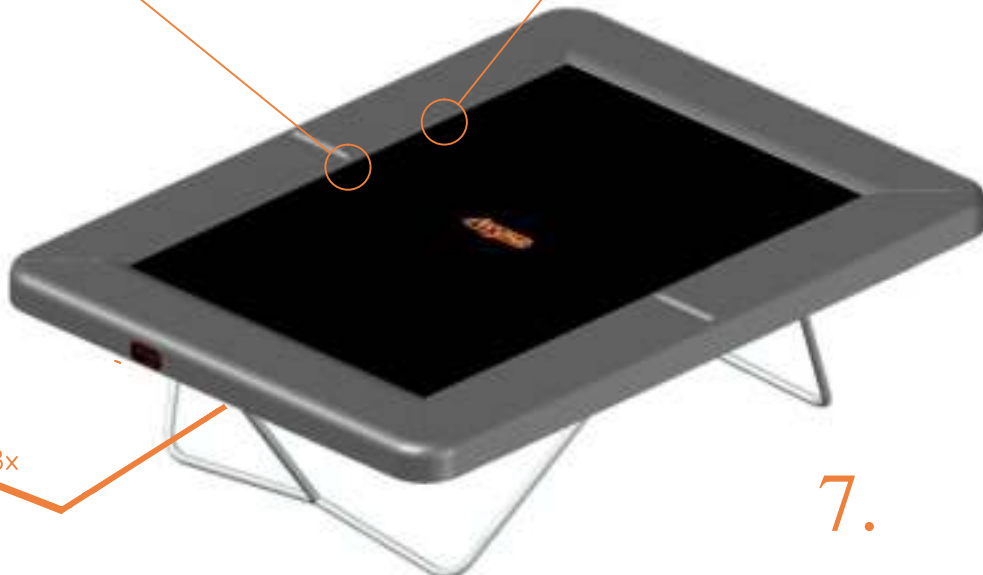
TEPL-ELAS-B



TEPL-ELAS-A



8x



7.

# Model 213



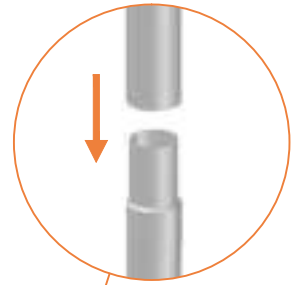


Model 213 275x190cm			
	Quantity	Part number	
Pole with sleeve for safety net	4	AVBL-213-802 A	
Pole for safety net	4	AVBL-213-802 B	
Pole for safety net	4	TEPL-213-802C	
Clamp for poles	8	TEPL-KLEM	
Clamp for poles long	8	TEPL-KLEM-LONG	
Safety net	1	ANBL-213	
Straps for safety net	8	TEPL-BAND	
Closure for safety net	2	TEPL-KNOOPJE	
Screw M6	4	M6x30	

Model 213 275x190cm			
	Quantity	Part number	
Pole for safety net	2	TEGR-213-8021 / A	
Pole for safety net	2	TEGR-213-8021 / B	
Strings for safety net	6	TEPL-ELAS-C	
Allen key	2	ALLEN-KEY	
Wrench	2	WRENCH	

TEPL-KLEM-LONG

1.



2.

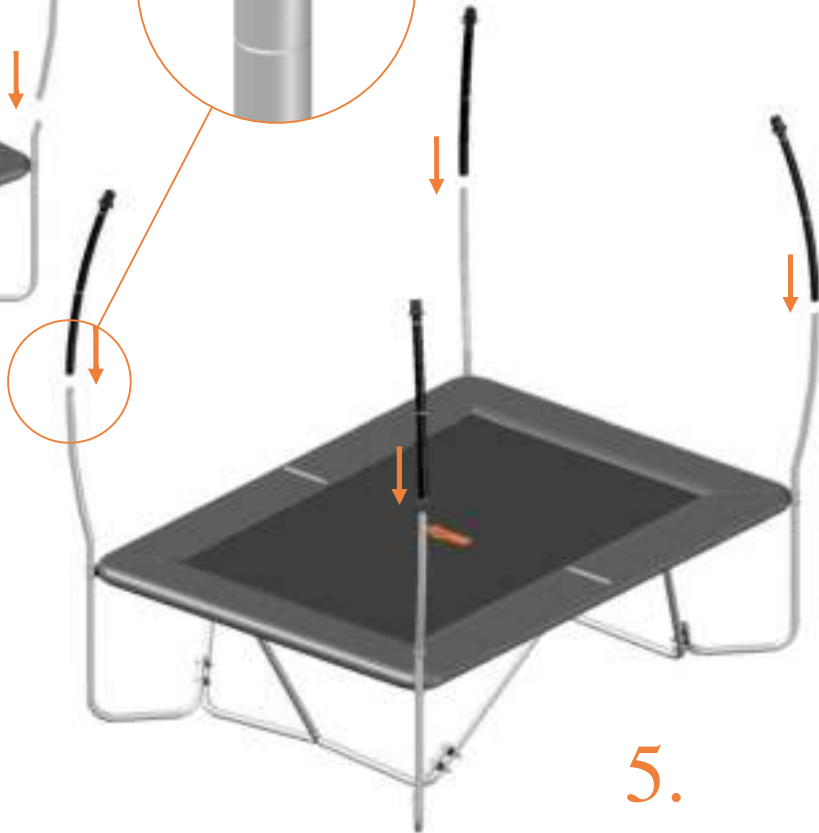
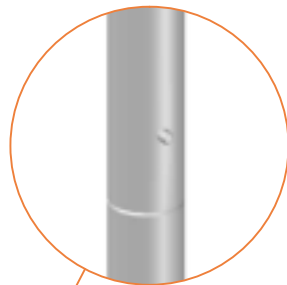
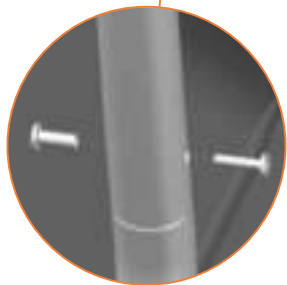
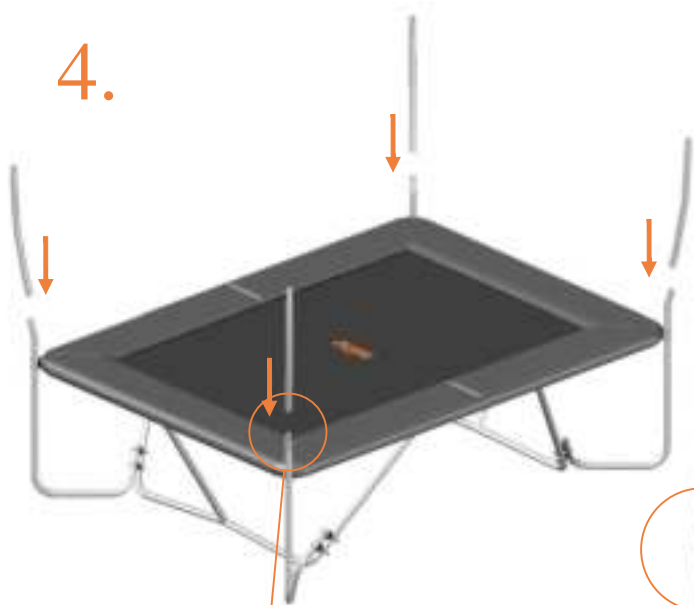


3.

TEPL-KLEM



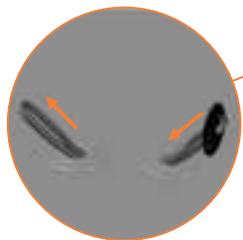
4.



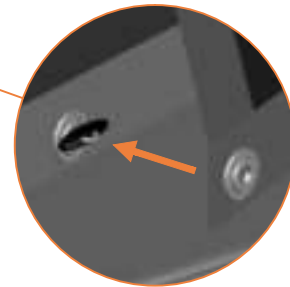
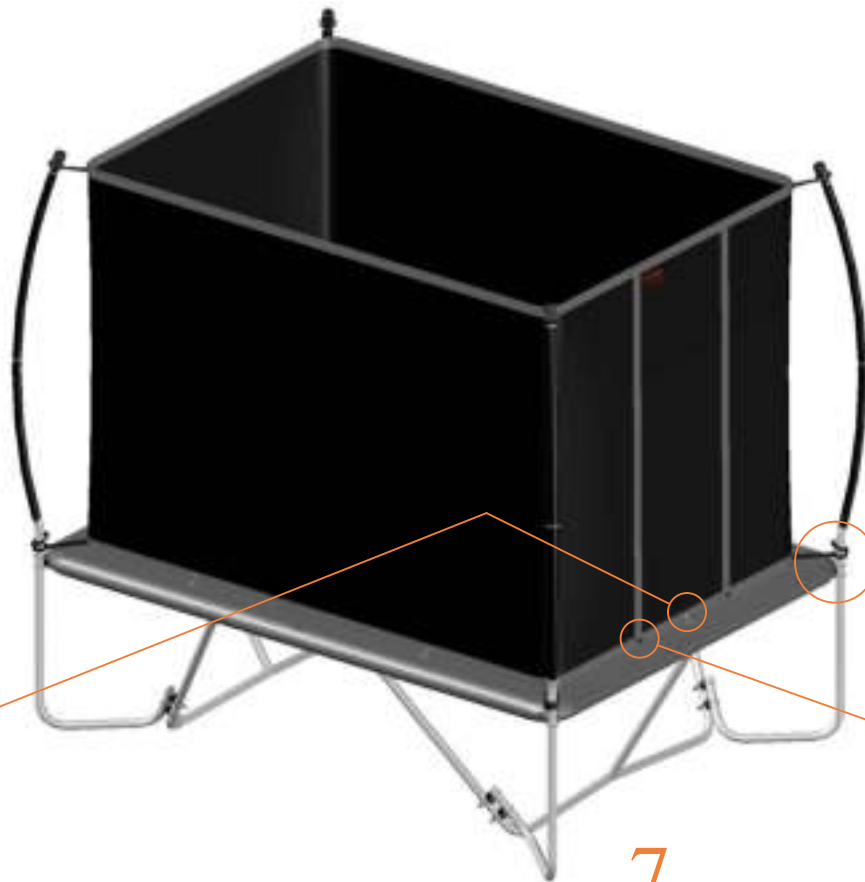
5.

6.





TEPL-ELAS-C











7.

# Model 213-F

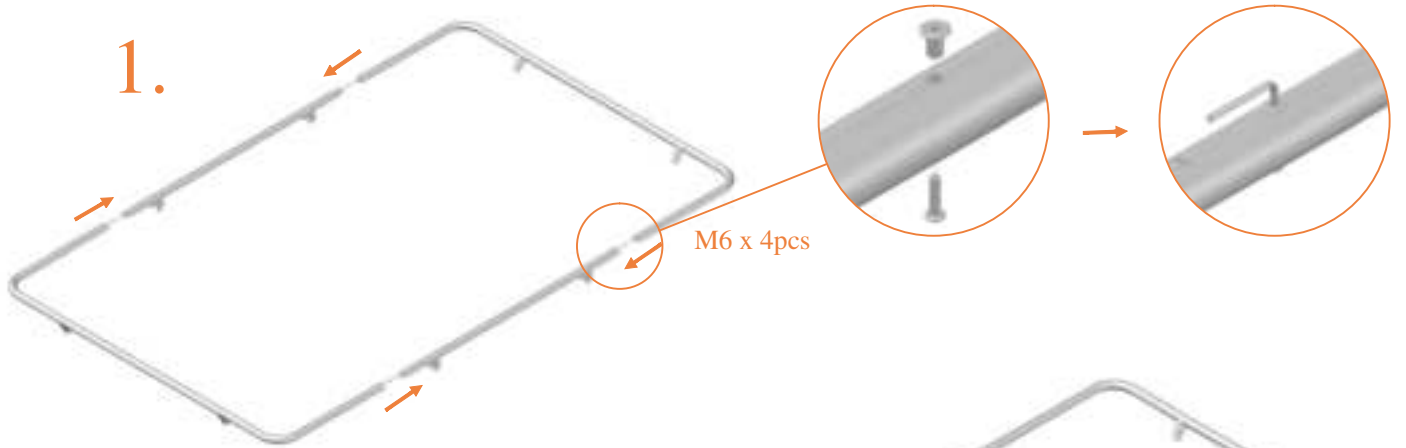


# Model 213-F foldable

Model 213-F 275x190cm			
	Quantity	Part number	
Jumping mat	1	TEPL-213-222	
Galvanized spring L=175mm, ø3.8mm	10	TEPL-200-211/C (green cap)	
Galvanized spring L=175mm, ø3.2mm	46	TEPL-200-211/C (red cap)	
Safety pad	1	TEPL-213-333-green or AVGR-213-333-grey or CAM-213-333-camouflage	
Fastener for Safety pad	8	TEPL-ELAS-A	
Fastener for Safety pad	20	TEPL-ELAS-B	
W-tube	2	TEPL-213-111	
I-tube	4	TEPL-213-1121	
I-tube	2	TEPL-213-1122-L	
I-tube	2	TEPL-213-1122-R	
Wrench M10	2	WRENCH M10	

Model 213-F 275x190cm			
	Quantity	Part number	
U-tube	2	TEPL-213-1141	
I-tube	2	TEPL-213-1142	
Screw M10, + washer & nut	4	200-M10-70	
Screw M8, + washer & nut	4	200-M8-50	
Screw M6	4	200-M6-45	
Allen key	2	ALLEN-KEY	
Tool for spring	1	TOOL-SPRING	
Strap for transport	2	TEPL-213-00-15	
Users Manual	1	208010101	
Warning Card	1	208040101	
Tie rip for warning card	1	209010102	
Safety manual	1	208010301	

1.

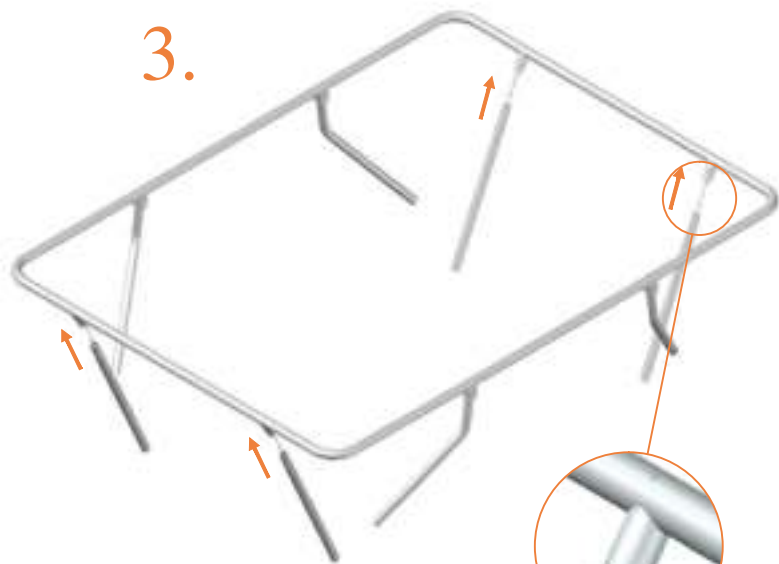


M10 x 4pcs

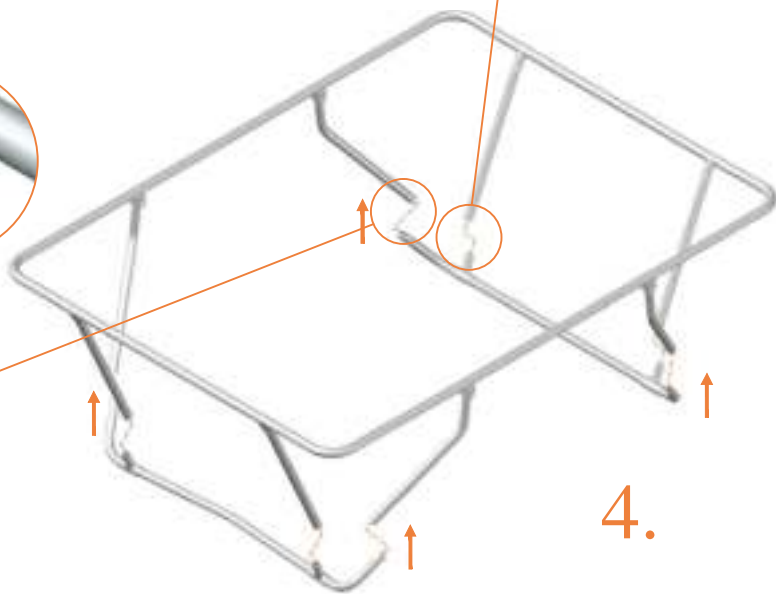




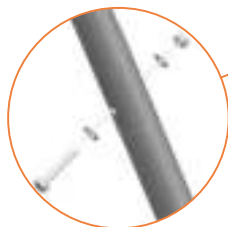
3.



M8x4pcs



M8x4pcs



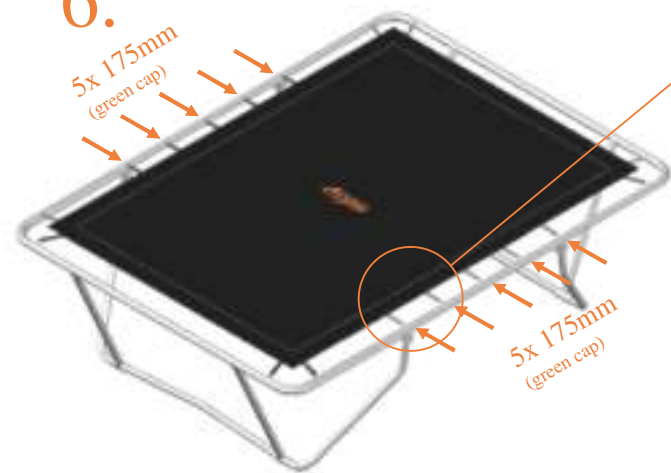
4.

5.



8x 175mm  
(red cap)

6.



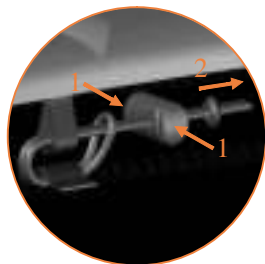
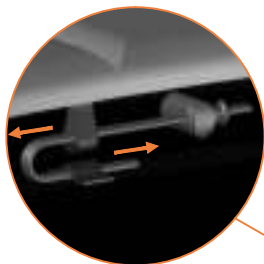
5x 175mm  
(green cap)

5x 175mm  
(green cap)

7.



TEPL-ELAS-B



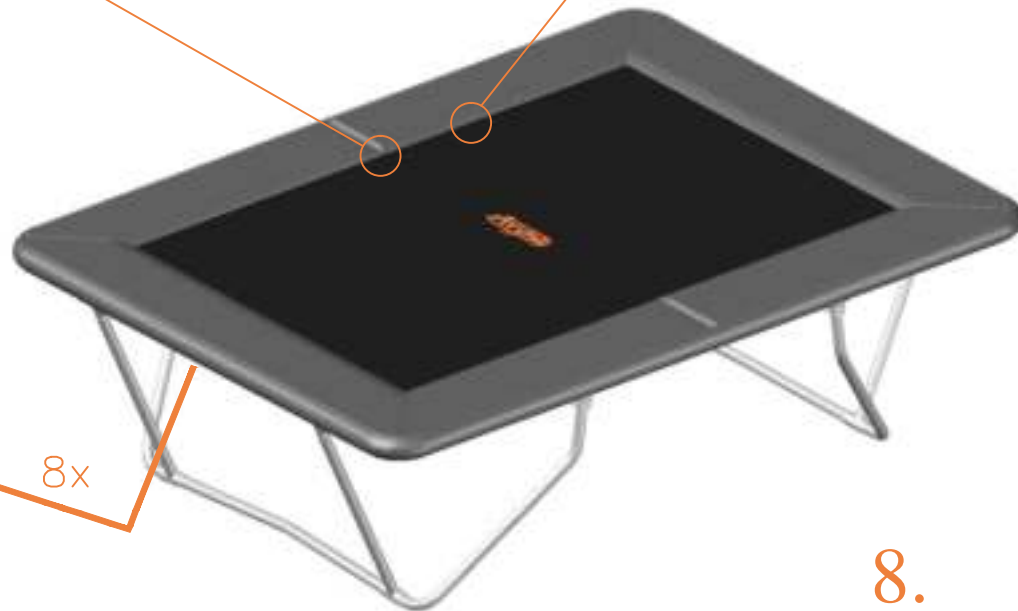
TEPL-ELAS-B



TEPL-ELAS-A



8x



8.

9.



10.



11.



Sales office: Beneluxbaan 7  
5121 DC Rijen  
The Netherlands  
[sales@avyna.eu](mailto:sales@avyna.eu)  
[www.avyna.eu](http://www.avyna.eu)