

# Memory Module Specifications

## KF432C16BBK2/32

32GB (16GB 2G x 64-Bit x 2 pcs.)  
 DDR4-3200 CL16 288-Pin DIMM Kit



### SPECIFICATIONS

|  |                   |
|--|-------------------|
| CL(IDD)  | 17 cycles         |
| Row Cycle Time (tRCmin)                          | 45.75ns(min.)     |
| Refresh to Active/Refresh Command Time (tRFCmin) | 350ns(min.)       |
| Row Active Time (tRASmin)                        | 32ns(min.)        |
| UL Rating  | 94 V - 0          |
| Operating Temperature                            | 0° C to +85° C    |
| Storage Temperature                              | -55° C to +100° C |

### DESCRIPTION

FURY KF432C16BBK2/32 is a kit of two 2G x 64-bit (16GB) DDR4-3200 CL16 SDRAM (Synchronous DRAM) 1Rx8, memory module, based on eight 2G x 8-bit FBGA components per module. Each module kit supports Intel® Extreme Memory Profiles (Intel® XMP) 2.0. Total kit capacity is 32GB. Each module has been tested to run at DDR4-3200 at a low latency timing of 16-20-20 at 1.35V. The SPDs are programmed to JEDEC standard latency DDR4-2400 timing of 17-17-17 at 1.2V. Each 288-pin DIMM uses gold contact fingers. The JEDEC standard electrical and mechanical specifications are as follows:

### FEATURES

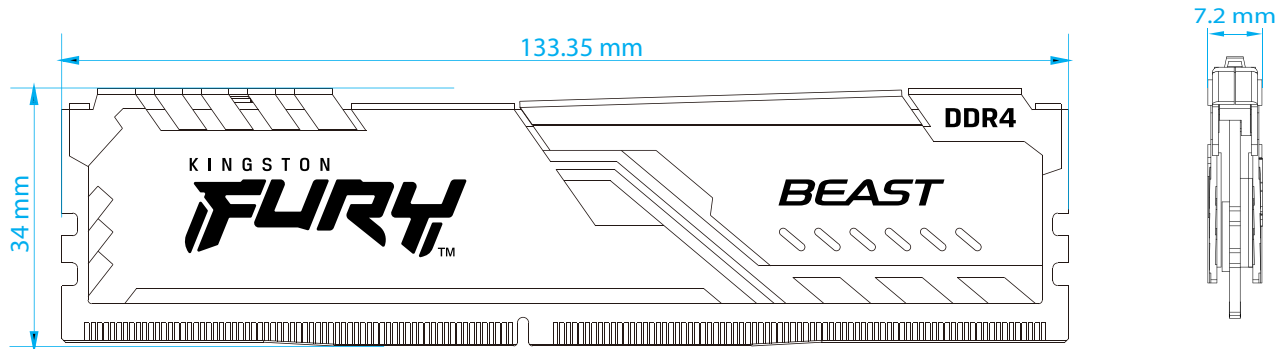
- Power Supply: VDD = 1.2V Typical
- VDDQ = 1.2V Typical
- VPP = 2.5V Typical
- VDDSPD = 2.2V to 3.6V
- On-Die termination (ODT)
- 16 internal banks; 4 groups of 4 banks each
- Bi-Directional Differential Data Strobe
- 8 bit pre-fetch
- Burst Length (BL) switch on-the-fly BL8 or BC4(Burst Chop)
- Height 1.34" (34mm), w/heatsink

### FACTORY TIMING PARAMETERS

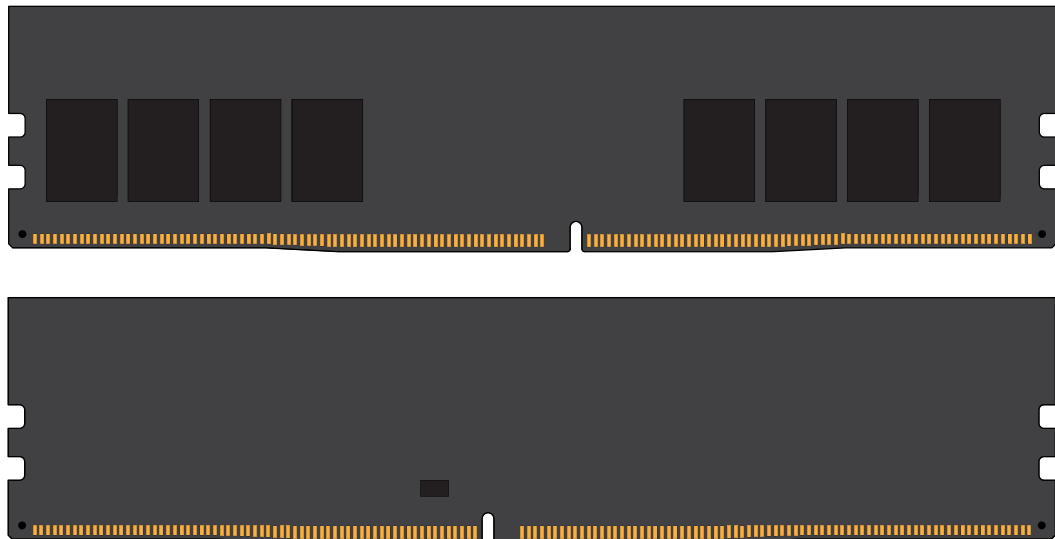
- Default (JEDEC): DDR4-2400 CL17-17-17 @ 1.2V
- XMP Profile #1: DDR4-3200 CL16-20-20 @ 1.35V
- XMP Profile #2: DDR4-3000 CL16-19-19 @ 1.35V

Continued >>

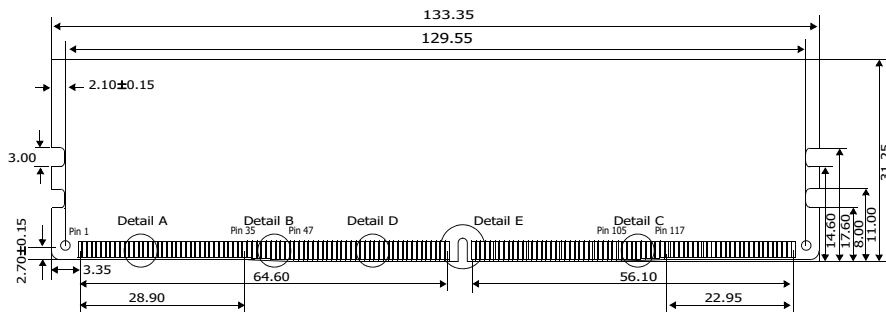
### MODULE WITH HEAT SPREADER



### MODULE DIMENSIONS



All measurements are in millimeters.  
 (Tolerances on all dimensions are  $\pm 0.12$  unless otherwise specified)



The product images shown are for illustration purposes only and may not be an exact representation of the product. Kingston reserves the right to change any information at anytime without notice.

FOR MORE INFORMATION, GO TO [KINGSTON.COM](http://KINGSTON.COM)

All Kingston products are tested to meet our published specifications. Some motherboards or system configurations may not operate at the published FURY memory speeds and timing settings. Kingston does not recommend that any user attempt to run their computers faster than the published speed. Overclocking or modifying your system timing may result in damage to computer components.