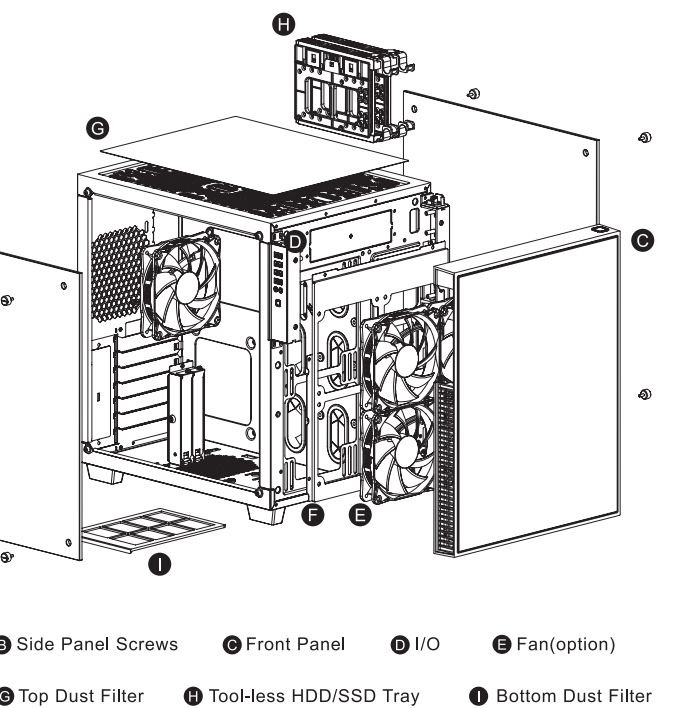
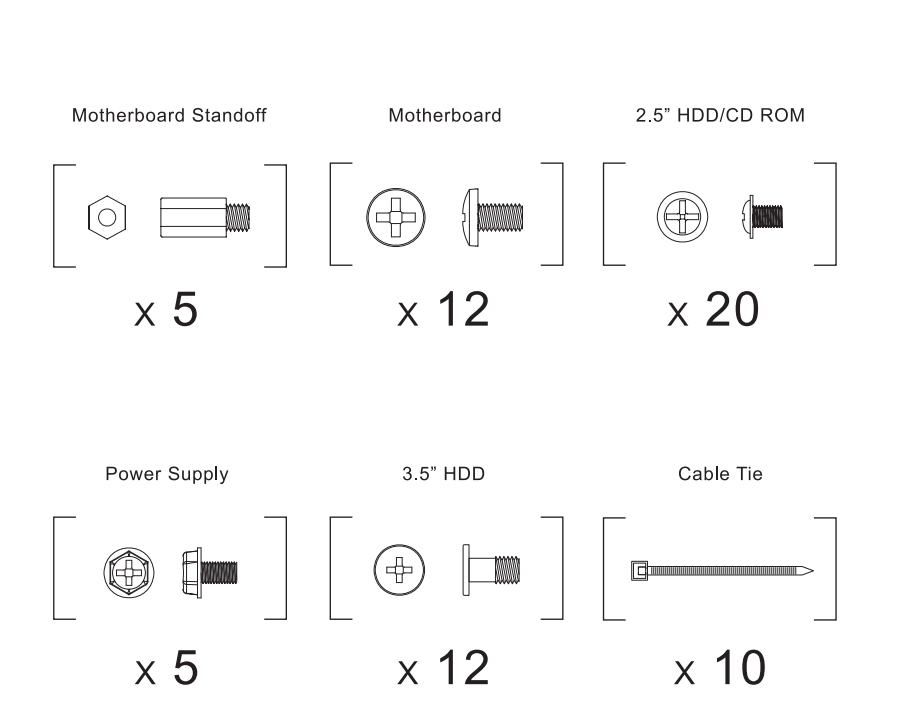


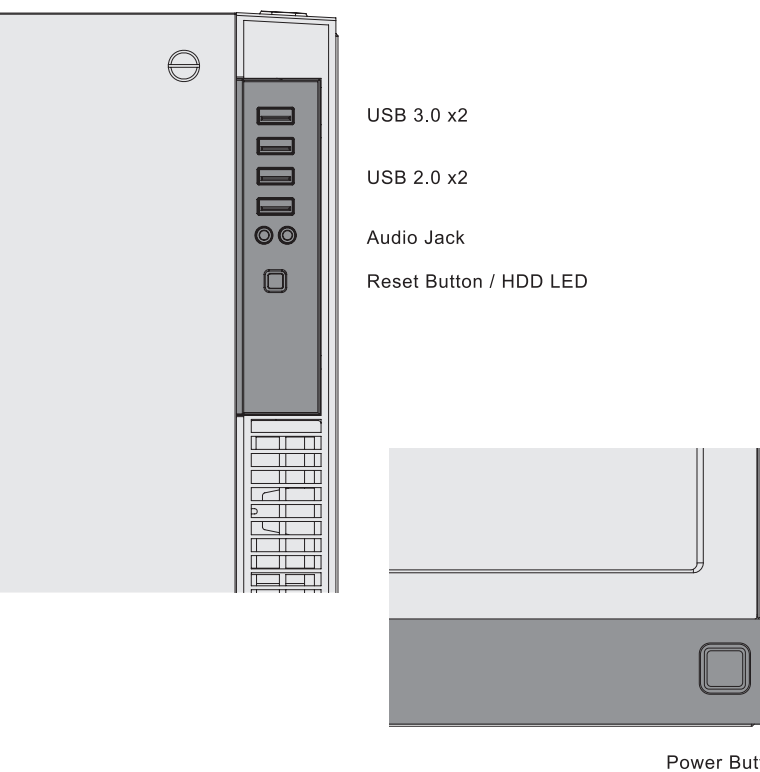
1. Assembly



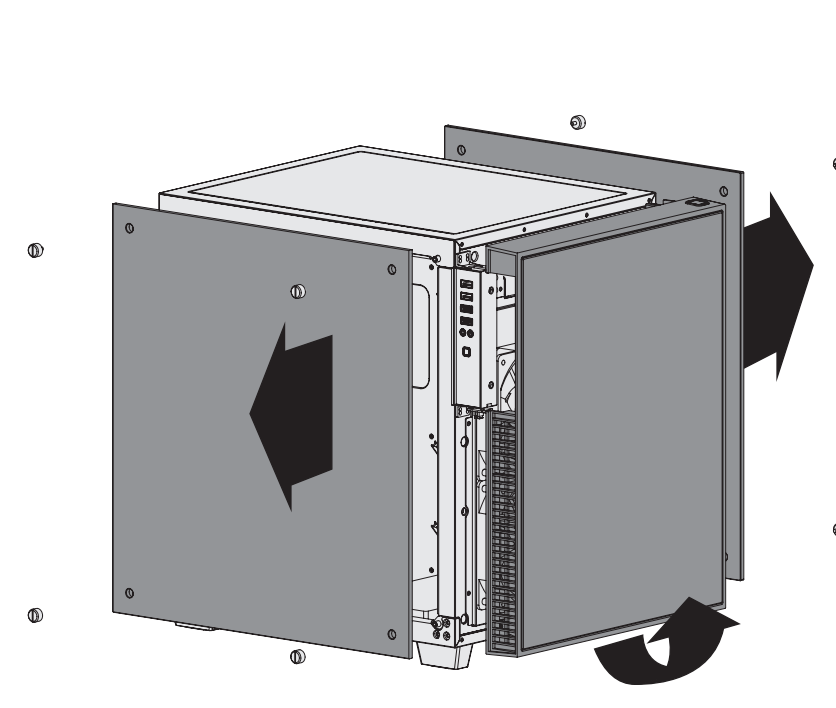
2. Accessory Kit Contents



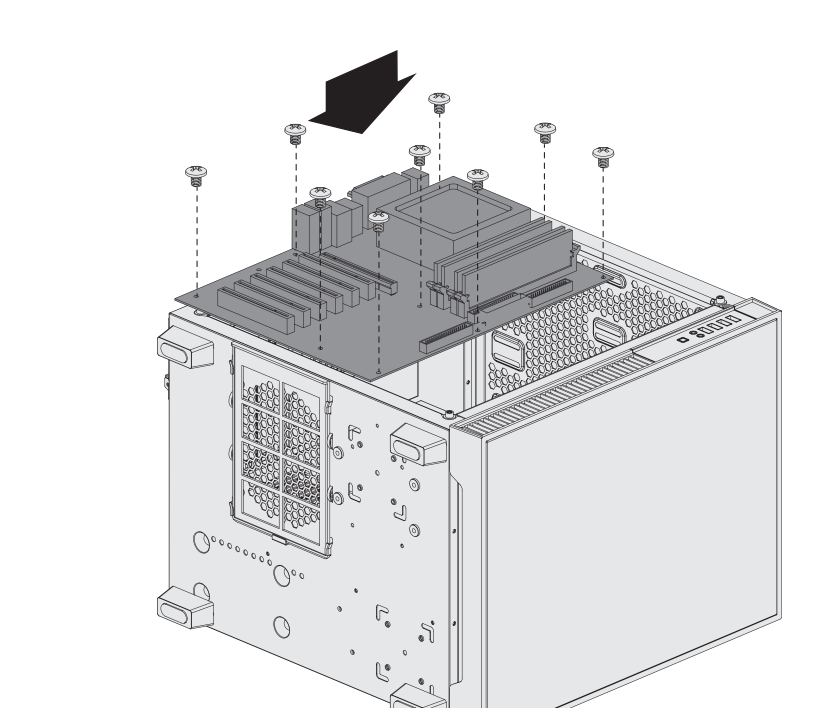
3. Front I/O



4. Remove Panel



5. Motherboard



6. Power Supply

