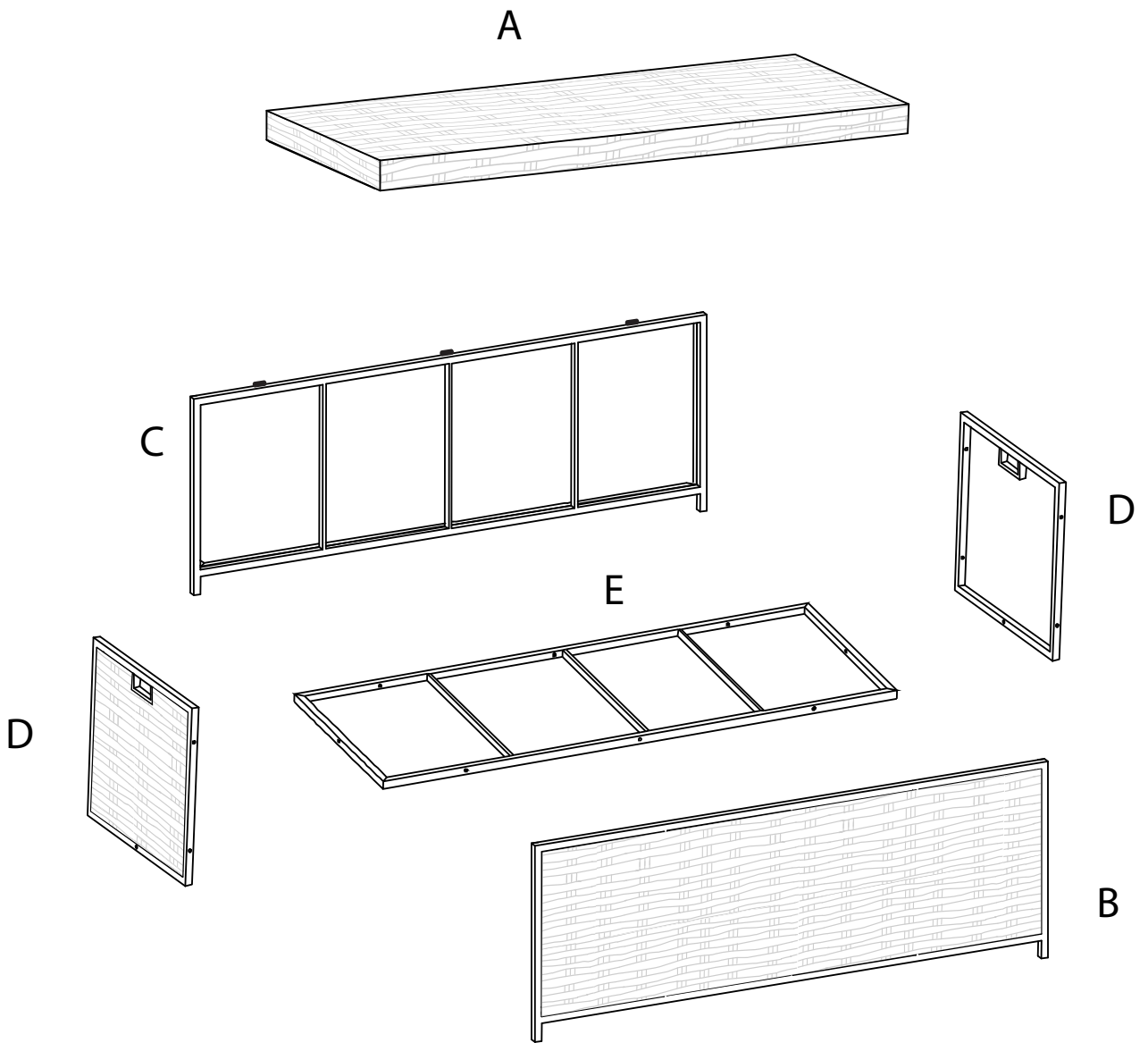
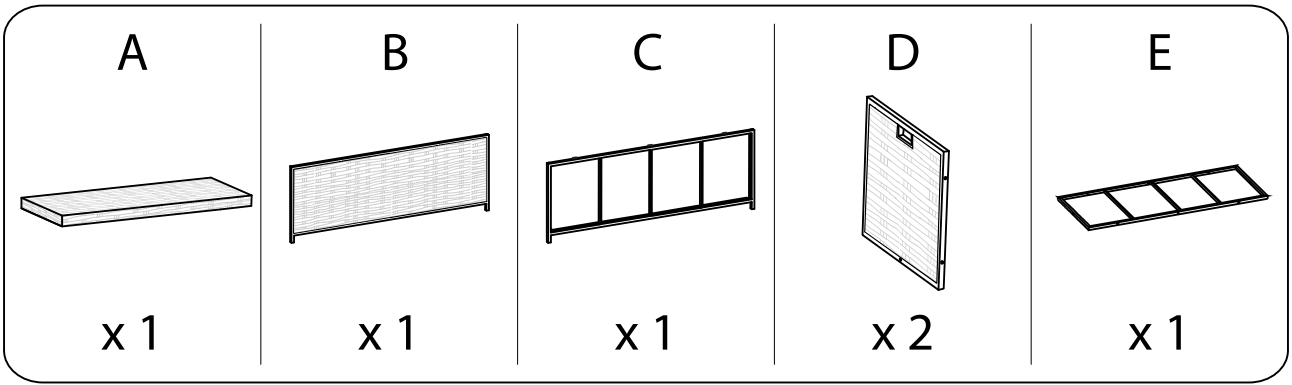
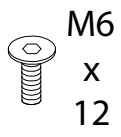


30'

1

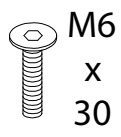


F



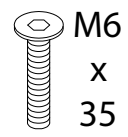
x 3

G



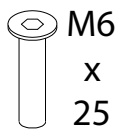
x 12

H



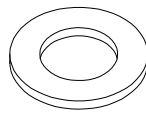
x 8

I



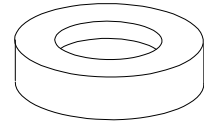
x 3

J



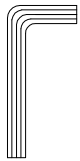
x 20

K



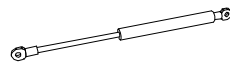
x 4

L



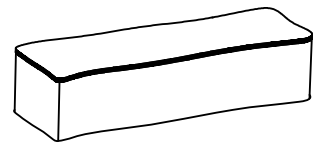
x 1

M



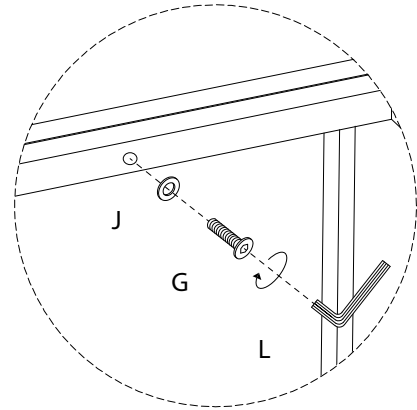
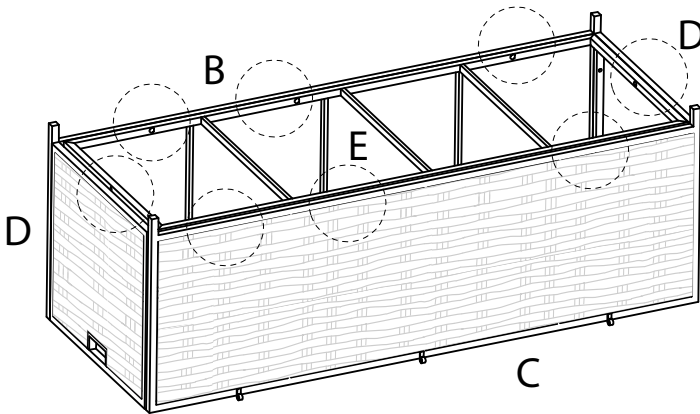
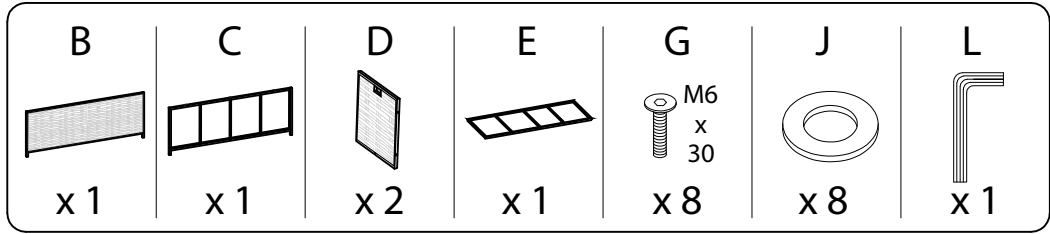
x 2

N

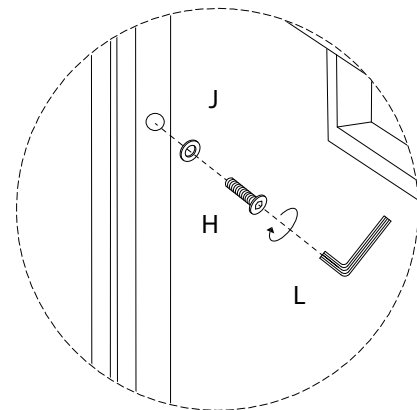
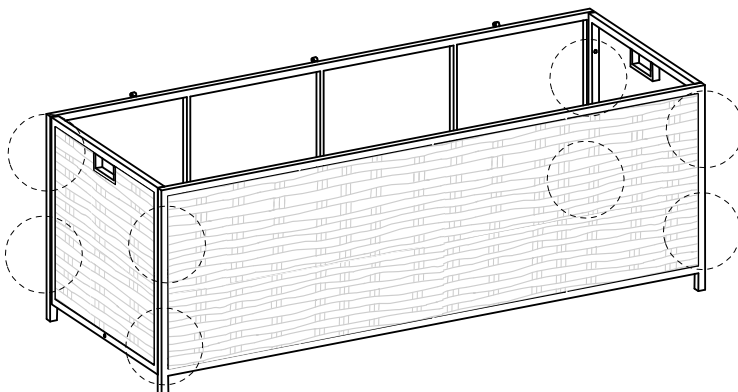
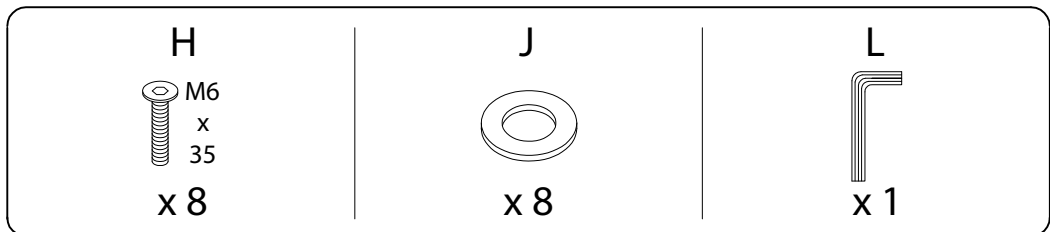


x 1

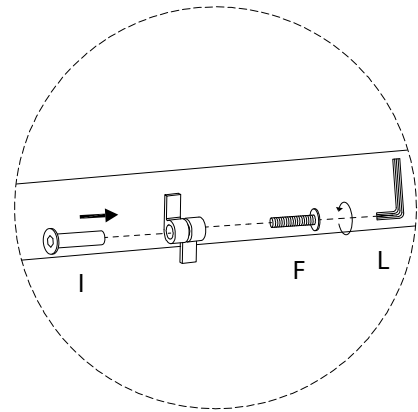
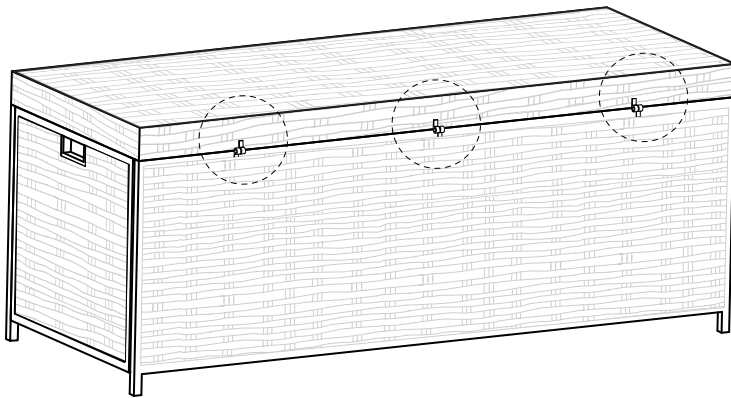
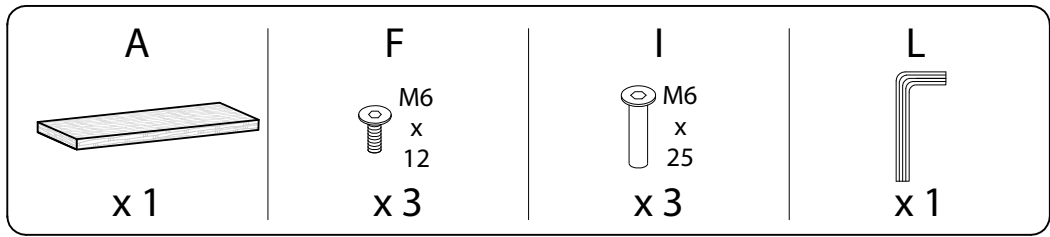
1



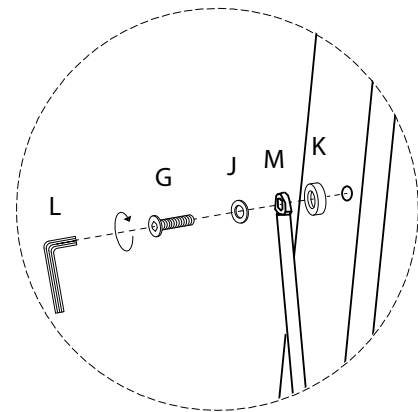
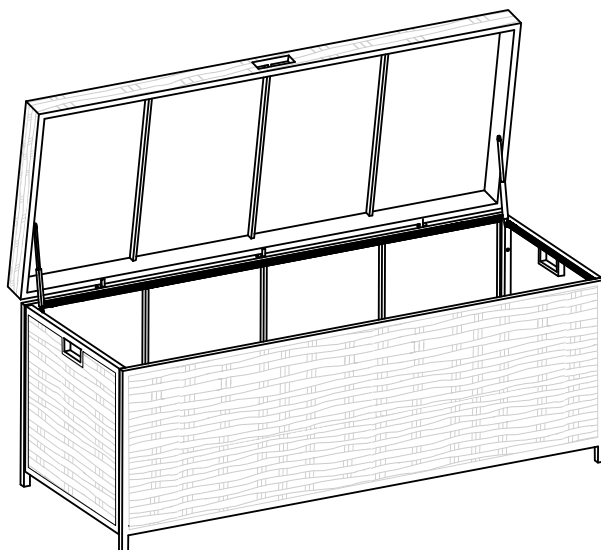
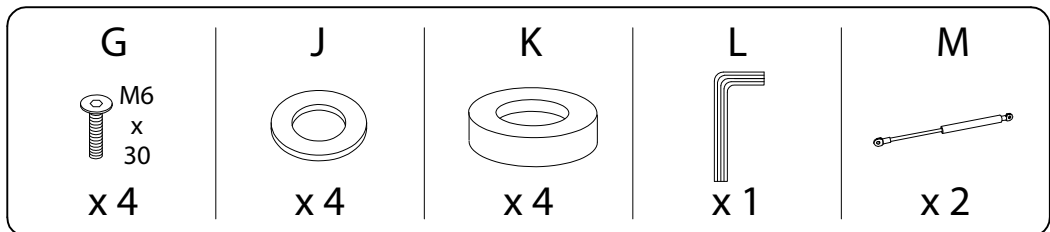
2



3



4



5

