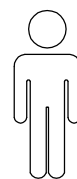
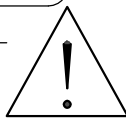
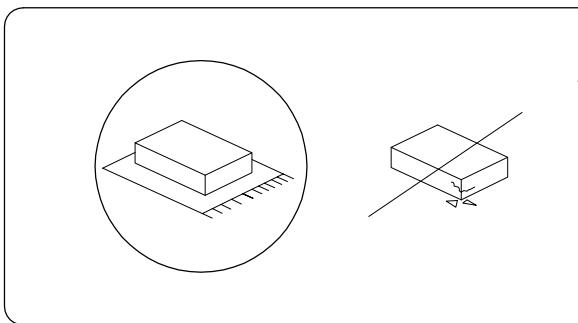
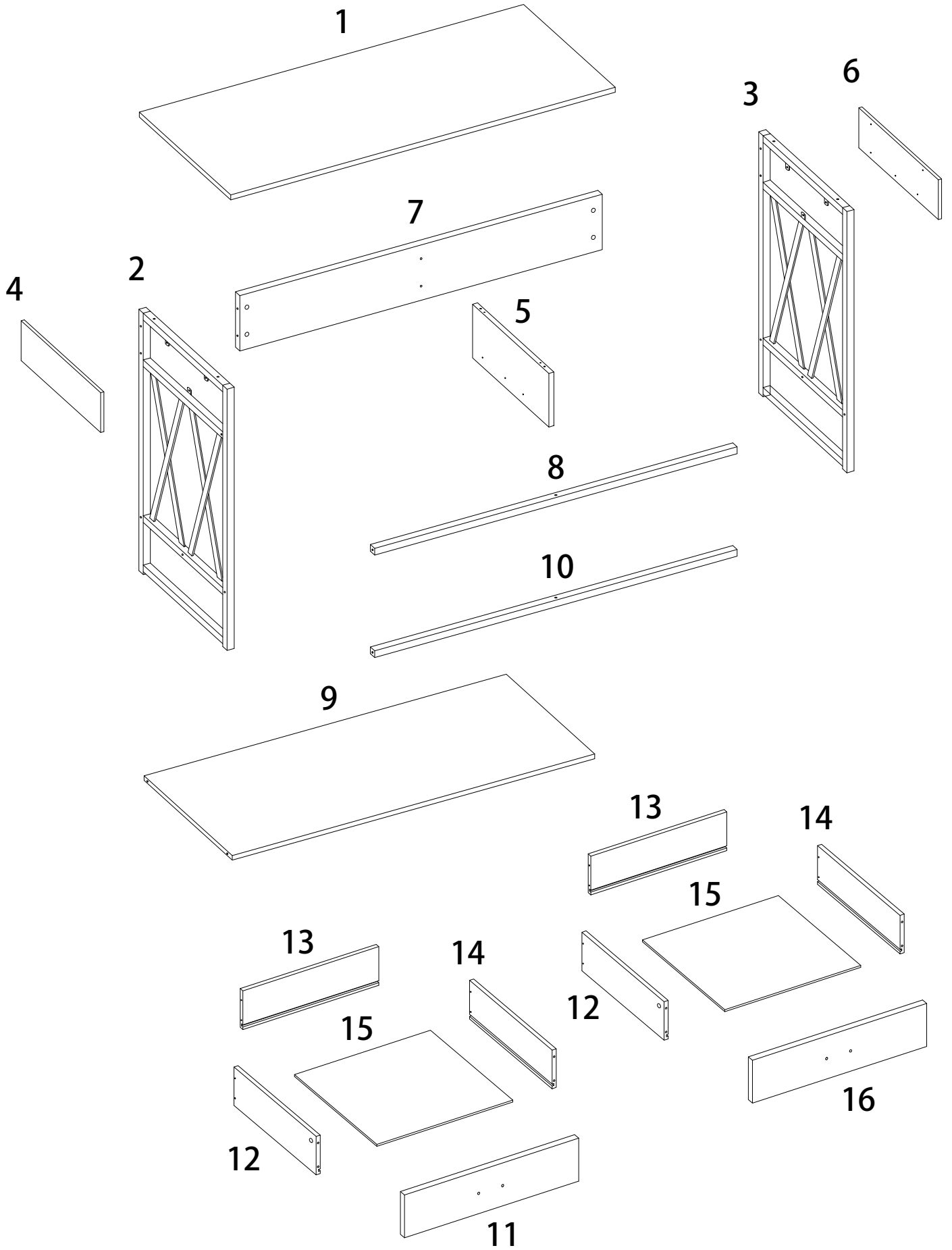
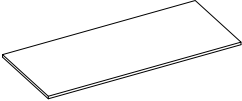

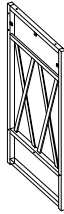
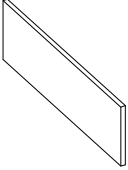
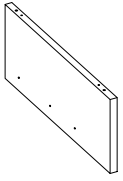
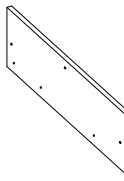
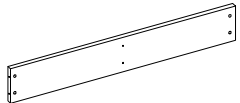

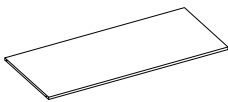

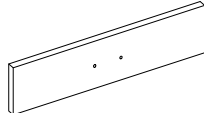
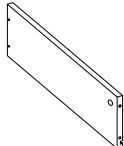
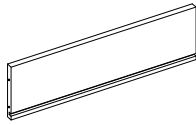
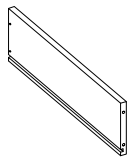
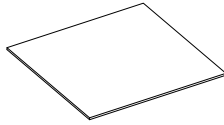
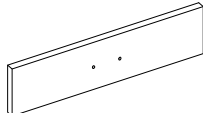


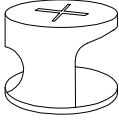

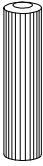
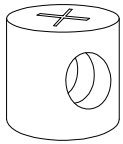
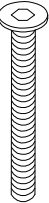
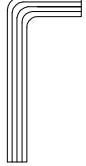
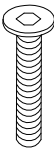
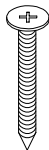
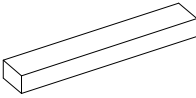
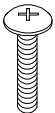
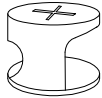
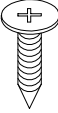
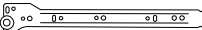
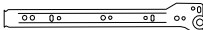


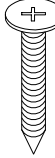
90'



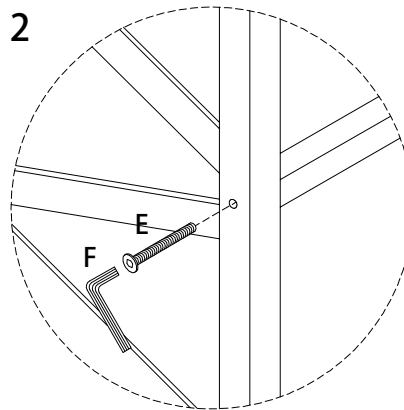
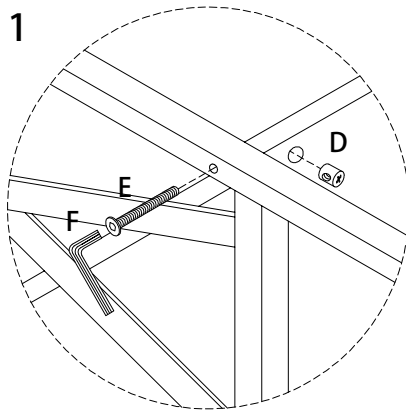
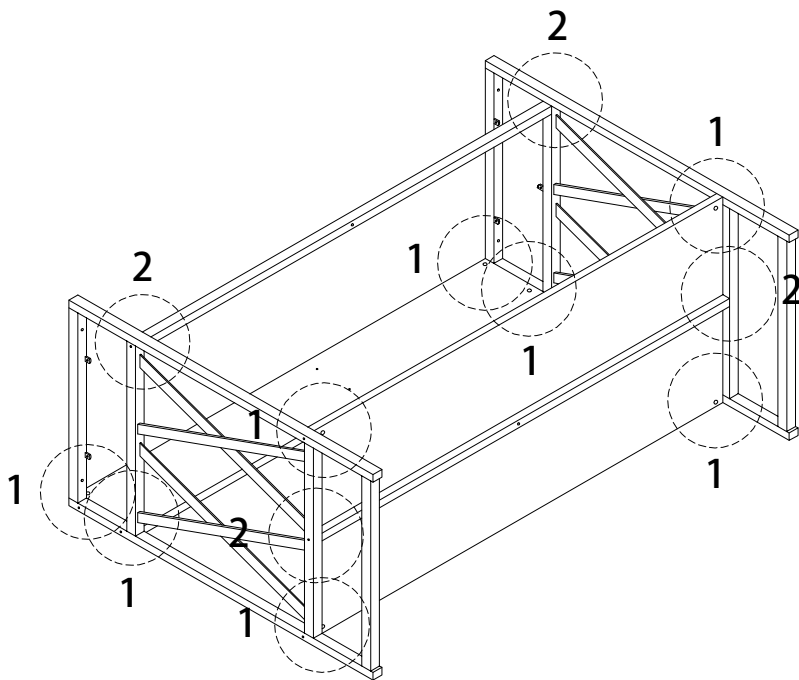
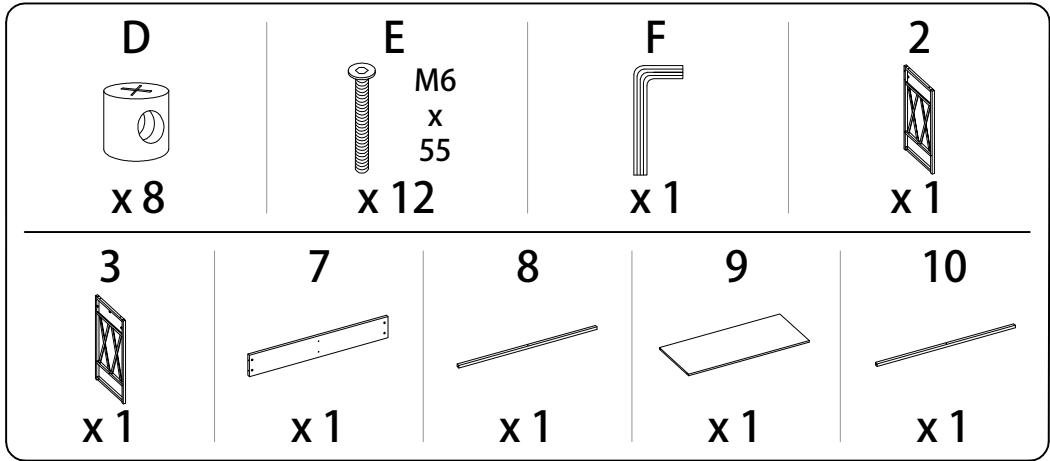
1



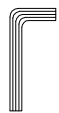
<p>1</p>  <p>x 1</p>	<p>2</p>  <p>x 1</p>	<p>3</p>  <p>x 1</p>	<p>4</p>  <p>x 1</p>
<p>5</p>  <p>x 1</p>	<p>6</p>  <p>x 1</p>	<p>7</p>  <p>x 1</p>	<p>8</p>  <p>x 1</p>
<p>9</p>  <p>x 1</p>	<p>10</p>  <p>x 1</p>	<p>11</p>  <p>x 1</p>	<p>12</p>  <p>x 2</p>
<p>13</p>  <p>x 2</p>	<p>14</p>  <p>x 2</p>	<p>15</p>  <p>x 2</p>	<p>16</p>  <p>x 1</p>

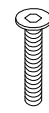
<p><b>A</b></p>  <p>x 2</p>	<p><b>B</b></p>  <p>x 6</p>	<p><b>C</b></p>  <p>Ø6 x 30</p> <p>x 6</p>	<p><b>D</b></p>  <p>x 8</p>	
<p><b>E</b></p>  <p>M6 x 55</p> <p>x 12</p>	<p><b>F</b></p>  <p>x 1</p>	<p><b>G</b></p>  <p>M6 x 25</p> <p>x 5</p>	<p><b>H</b></p>  <p>4 x 30</p> <p>x 8</p>	
<p><b>I</b></p>  <p>x 2</p>	<p><b>J</b></p>  <p>M4 x 18</p> <p>x 4</p>	<p><b>K</b></p>  <p>x 4</p>	<p><b>L</b></p>  <p>3 x 10</p> <p>x 26</p>	
<p><b>M</b></p>  <p>x 2</p>	<p><b>N</b></p>  <p>x 2</p>	<p><b>O</b></p>  <p>x 2</p>	<p><b>P</b></p>  <p>x 2</p>	<p><b>Q</b></p>  <p>4 x 40</p> <p>x 3</p>

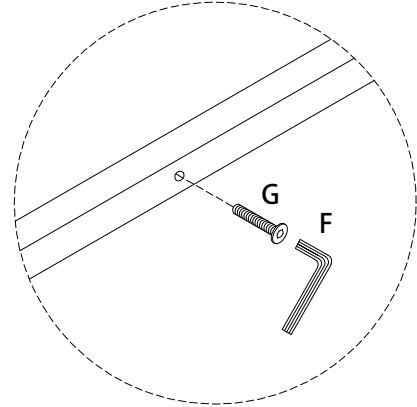
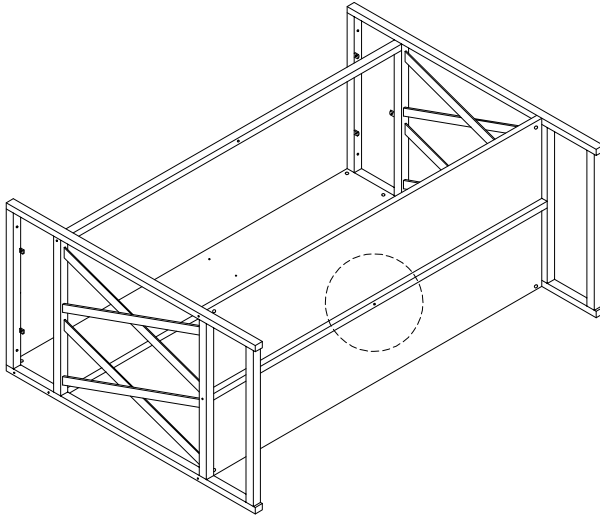
1



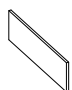
2

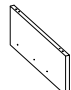
F  
  
x 1

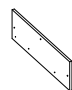
G  
 M6  
x 25  
x 1





3


4  
  
x 1

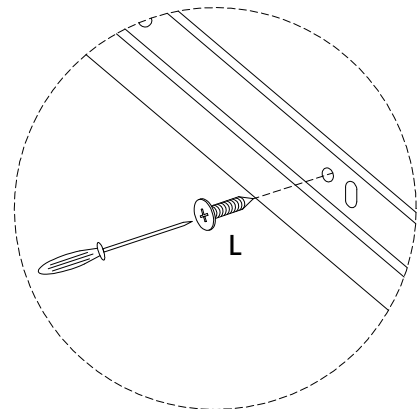
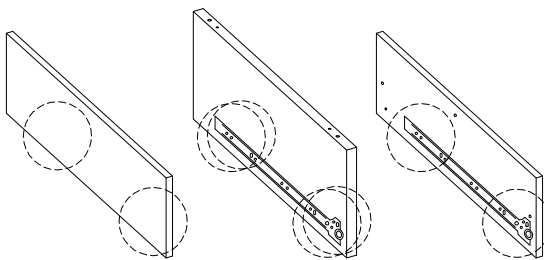
5  
  
x 1

6  
  
x 1

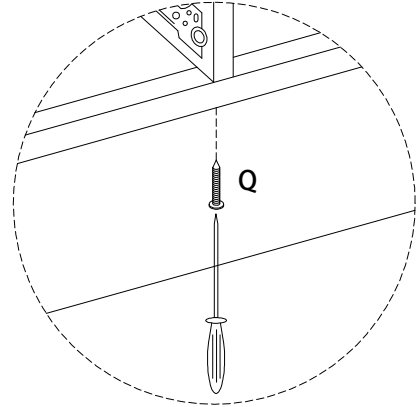
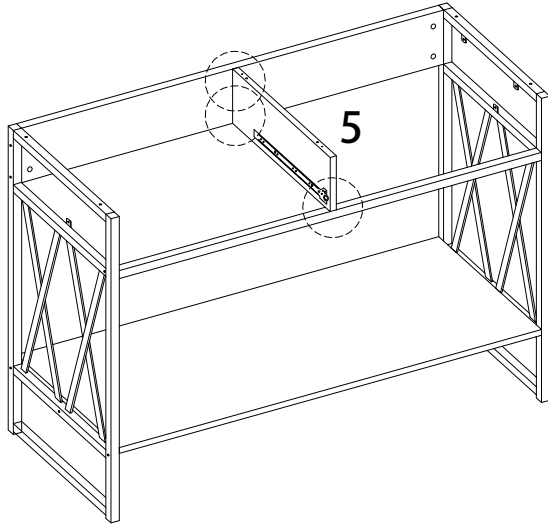
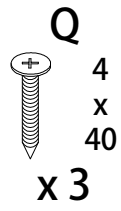
L  
 3  
x 10  
x 8

M  
  
x 2

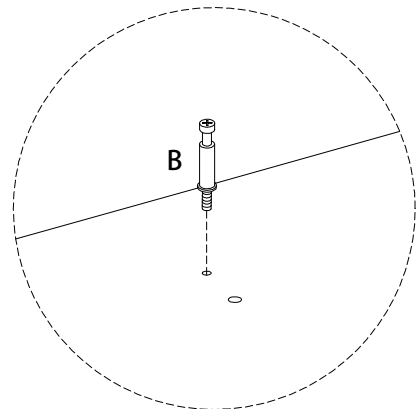
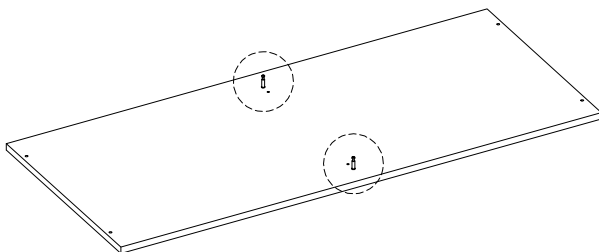
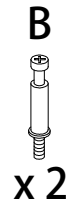
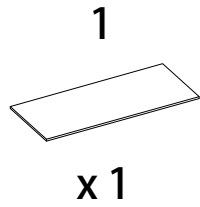
N  
  
x 2



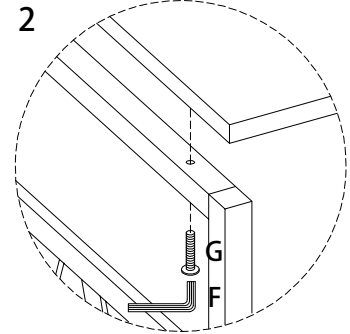
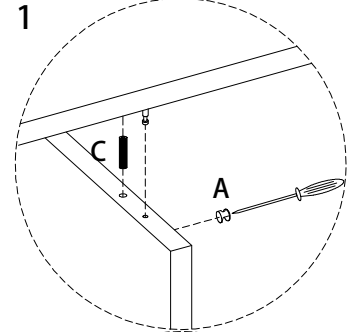
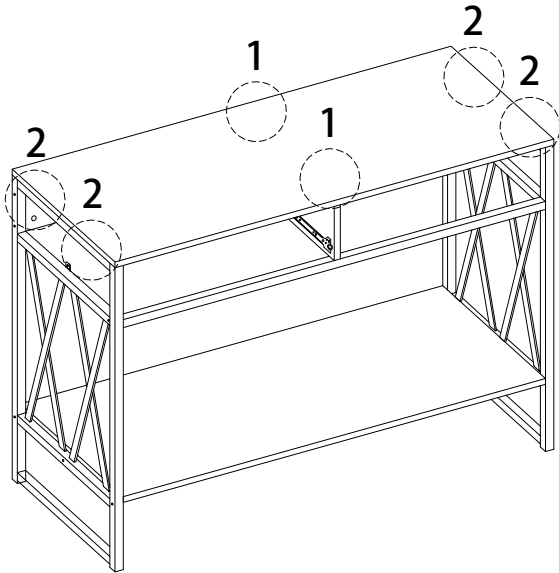
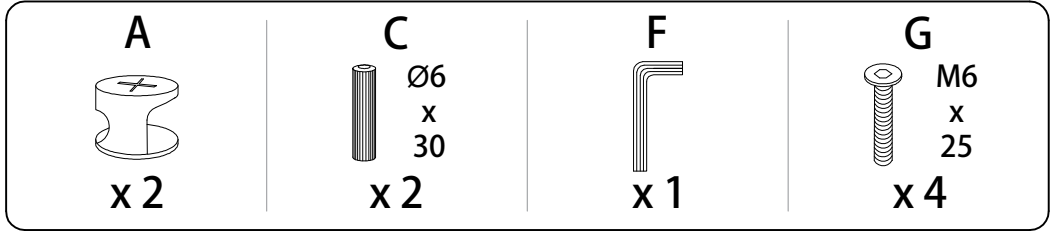
4



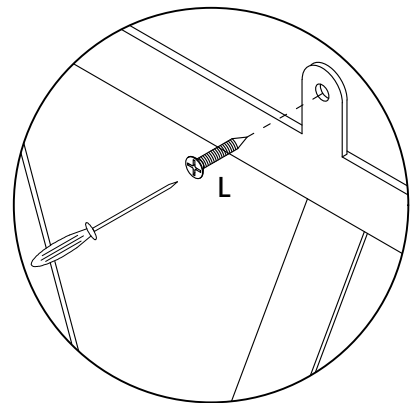
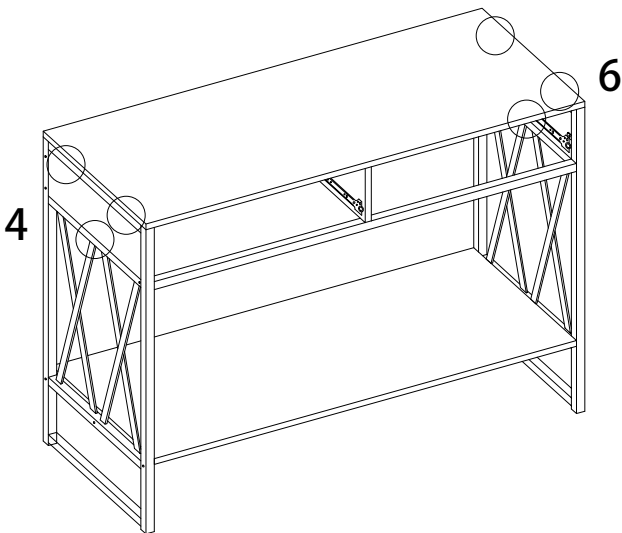
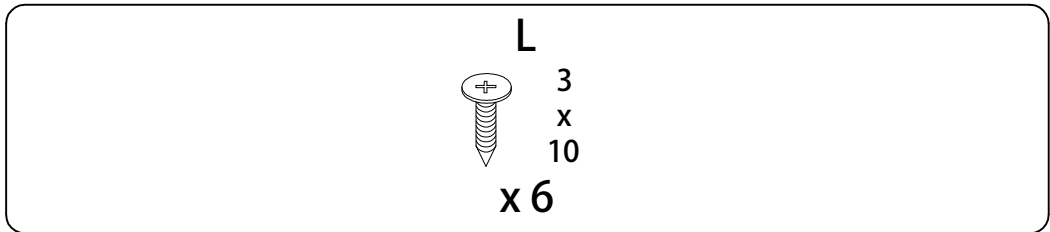
5



6

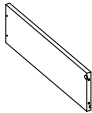
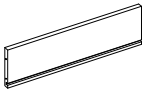
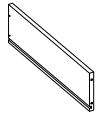
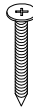


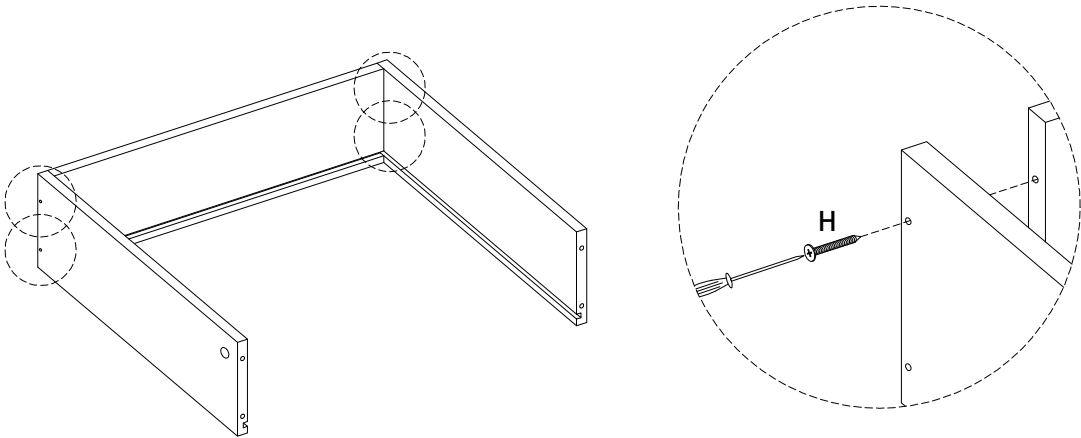
7



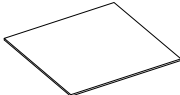


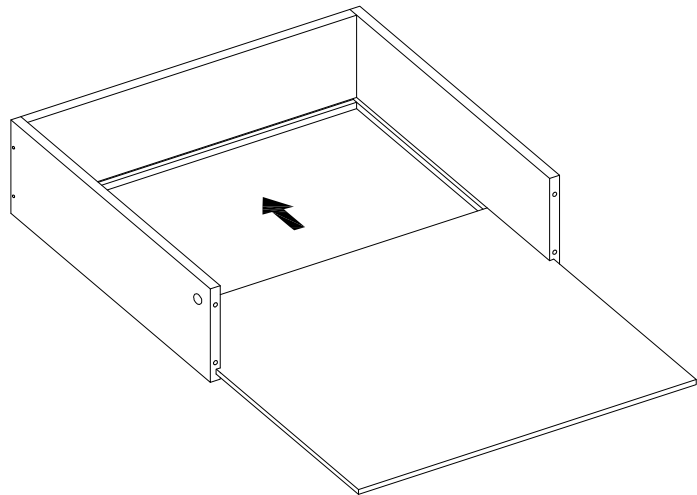
8 x 2

<p>12</p>  <p>x 1</p>	<p>13</p>  <p>x 1</p>	<p>14</p>  <p>x 1</p>	<p>H</p>  <p>4 x 30 x 4</p>
--------------------------------------------------------------------------------------------------------	--------------------------------------------------------------------------------------------------------	---------------------------------------------------------------------------------------------------------	----------------------------------------------------------------------------------------------------------------------------

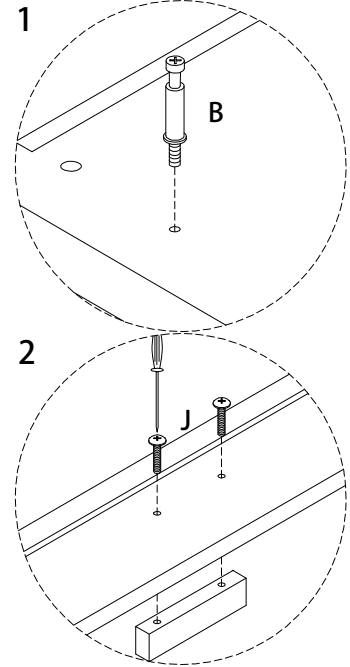
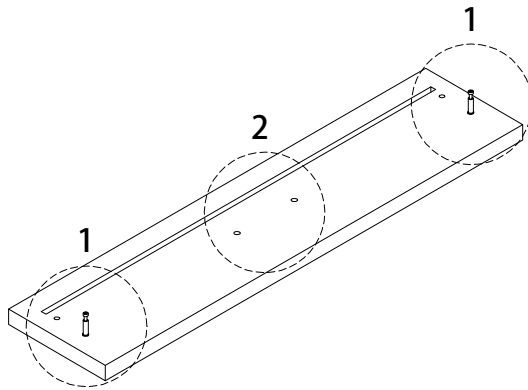
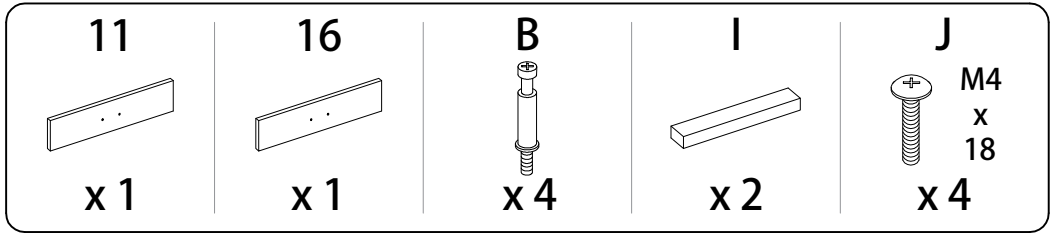


9 x 2

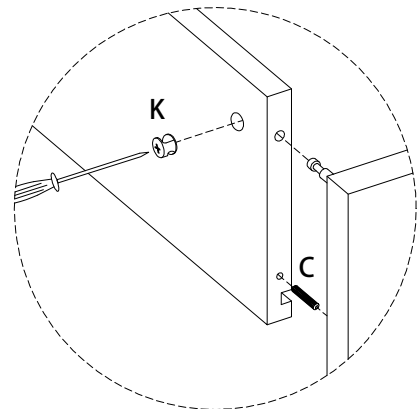
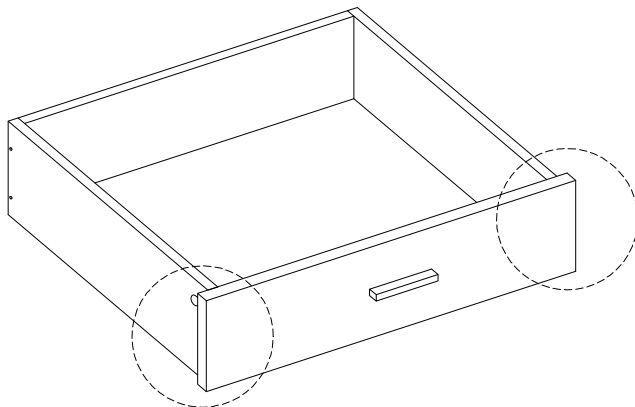
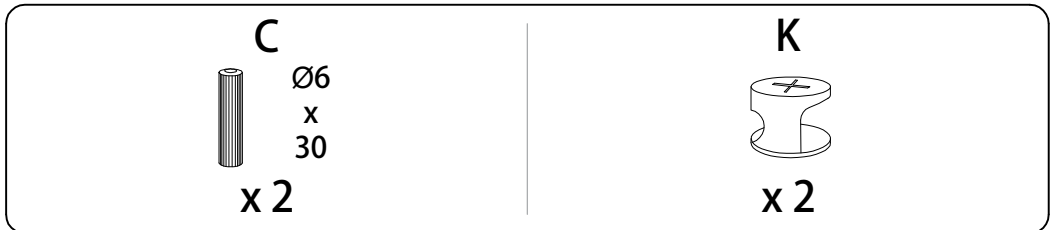
<p>15</p>  <p>x 1</p>
----------------------------------------------------------------------------------------------------------



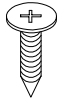

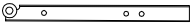
10

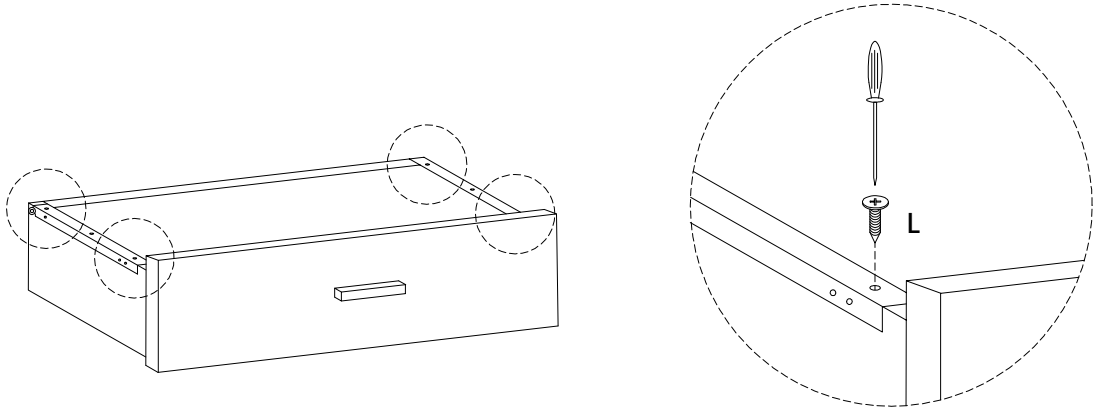


11 x 2

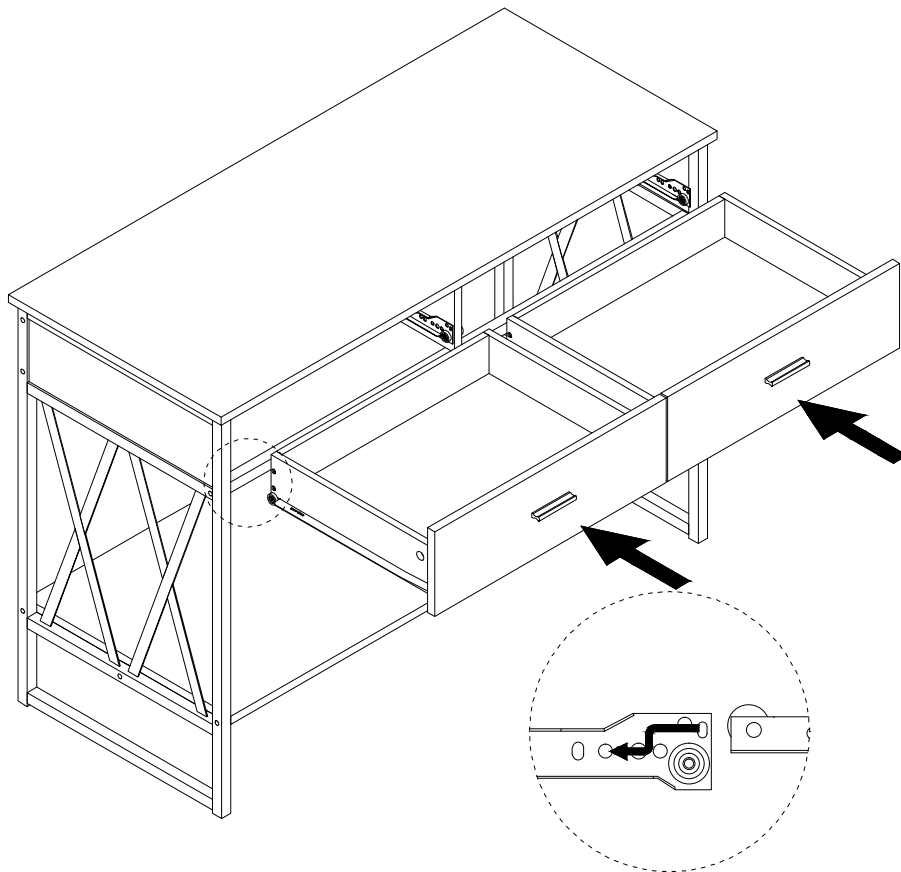


12 x 2

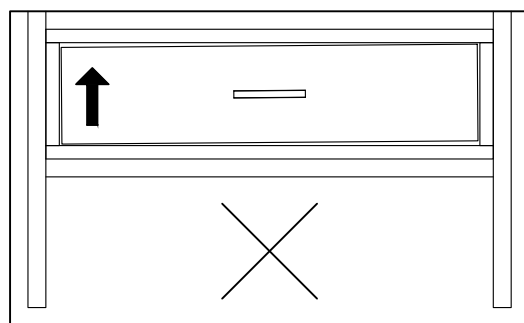
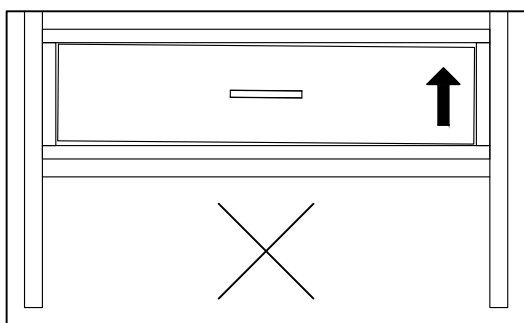
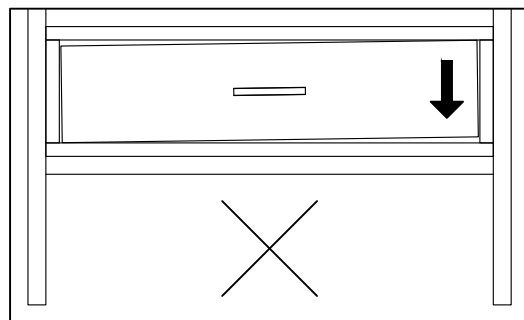
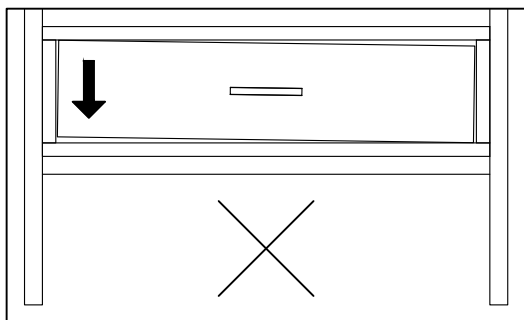
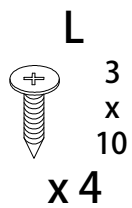
<p><b>L</b></p>  <p>3 x 10</p> <p><b>x 4</b></p>	<p><b>O</b></p>  <p><b>x 1</b></p>	<p><b>P</b></p>  <p><b>x 1</b></p>
-------------------------------------------------------------------------------------------------------------------------------------------	---------------------------------------------------------------------------------------------------------------------	-----------------------------------------------------------------------------------------------------------------------



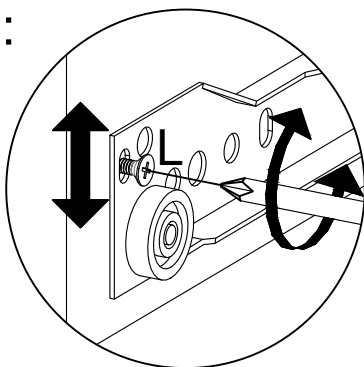
13



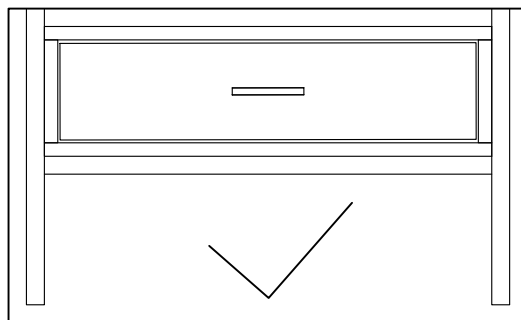
14



1:



2:



3:

