

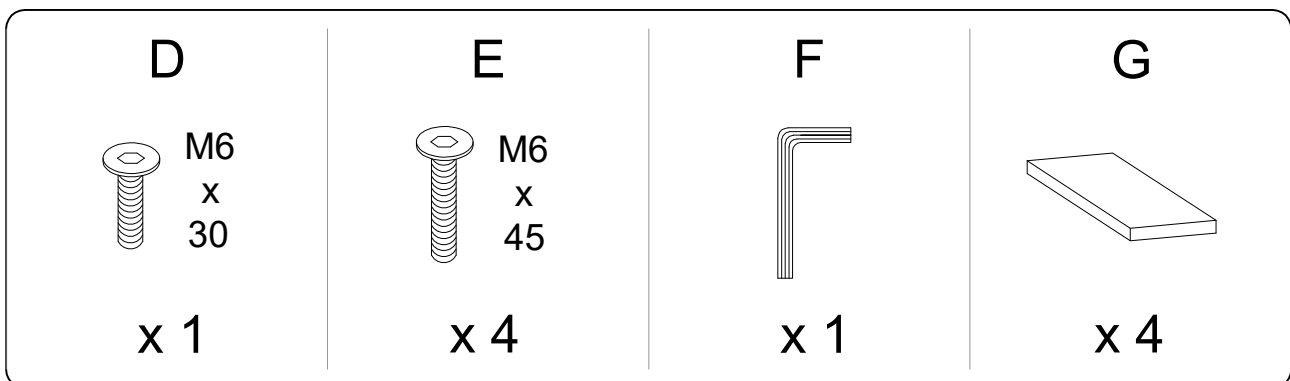
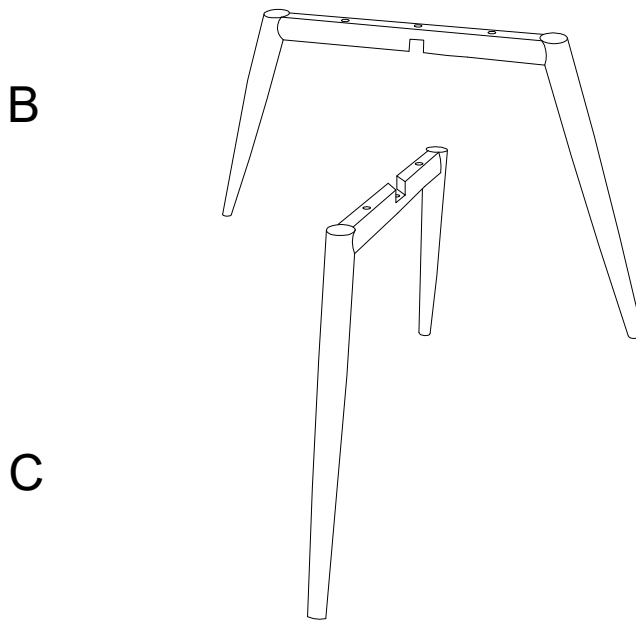
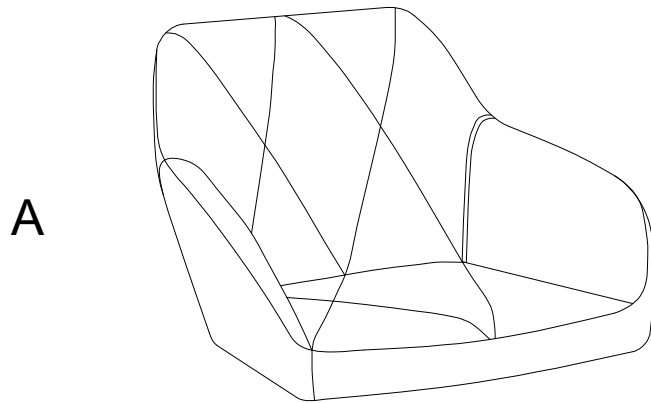
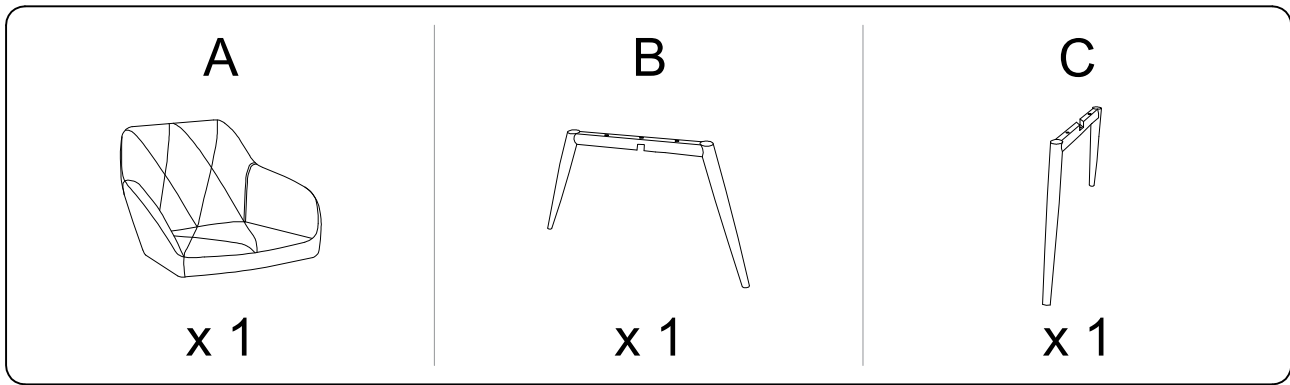
Assembly instructions for the chair, including warnings, time, and person count.

Warning 1: Do not use a power drill. Use an Allen key (shown in a circle) to tighten the screws.

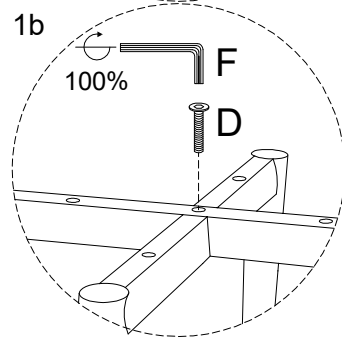
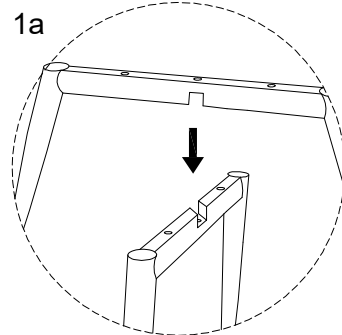
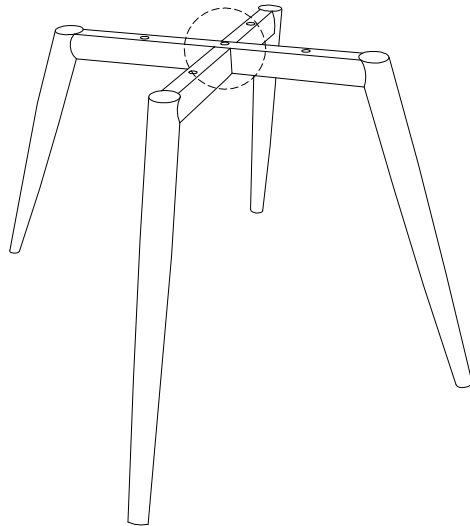
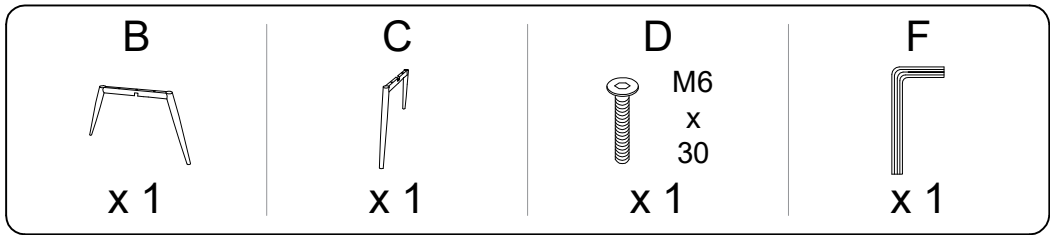
Warning 2: Do not use a saw. Use a hand saw (shown in a circle) to cut the foam padding.

Time: 20'

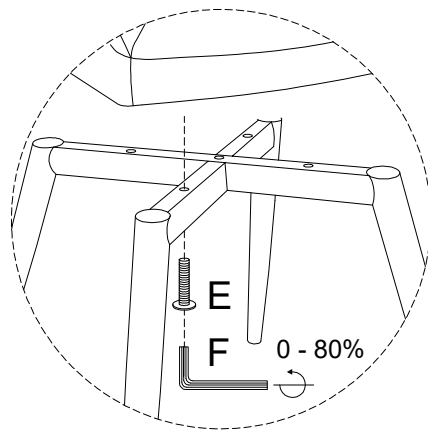
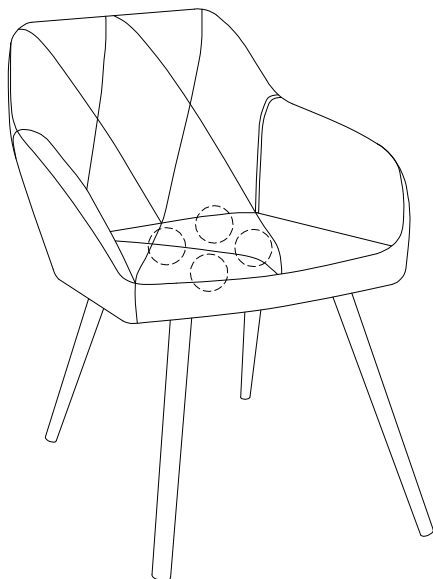
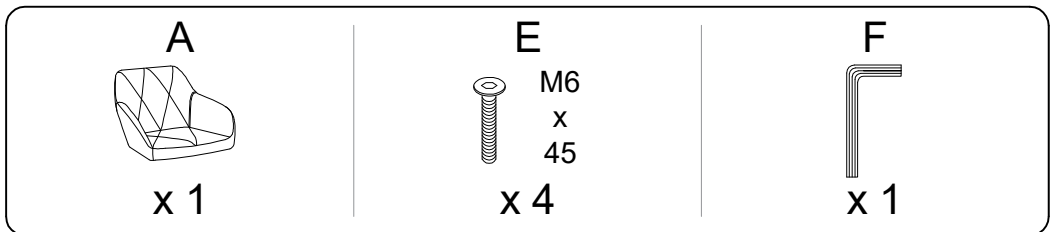
Person Count: 1



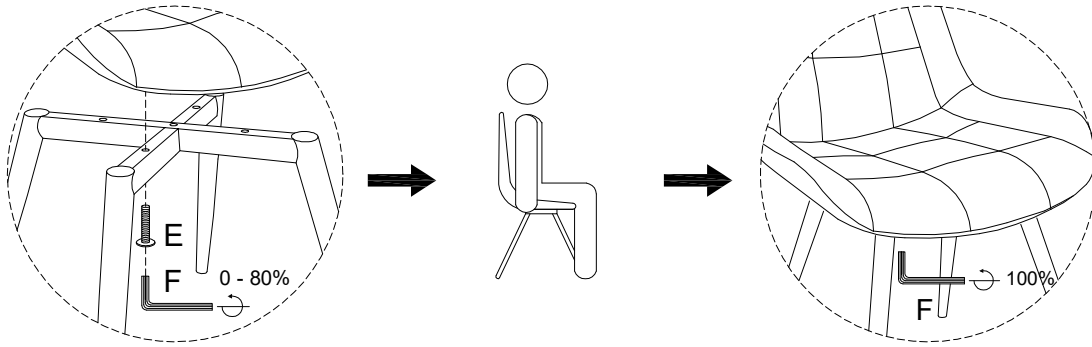
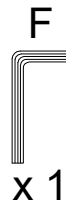
1



2



3



4

