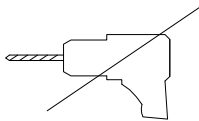

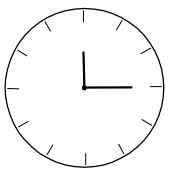
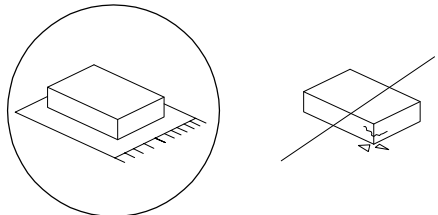

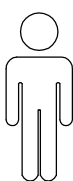
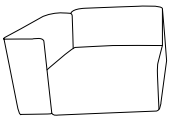
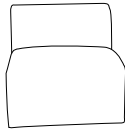
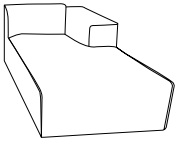
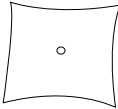
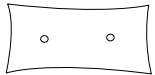
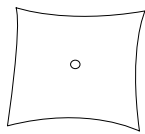
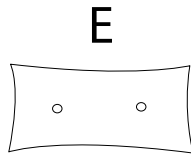


| | | |
|---|---|---|
|  |  |  |
|  |  |  |

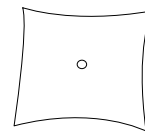
15'

1

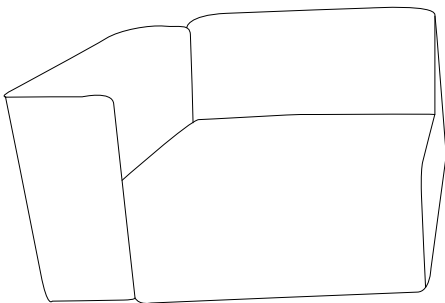
| | | | | |
|---|---|---|---|---|
| A | B | C | D | E |
|  |  |  |  |  |
| x1 | x1 | x1 | x2 | x1 |



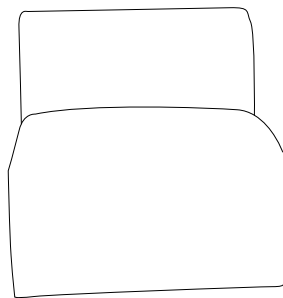
D x 2



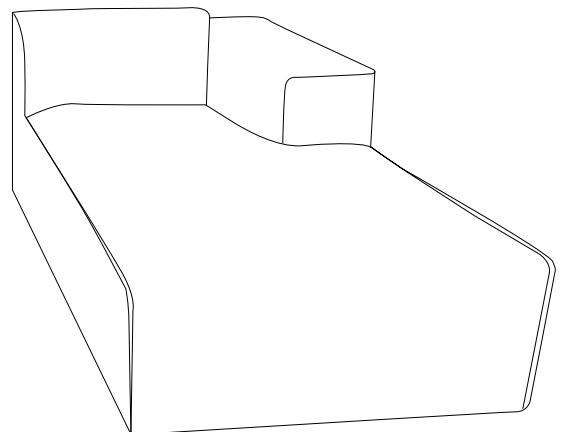
A



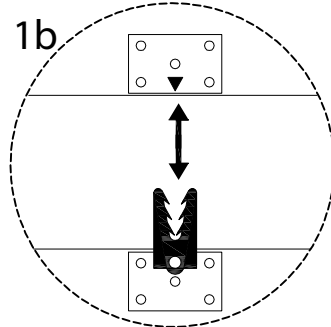
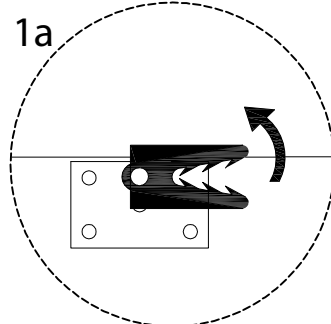
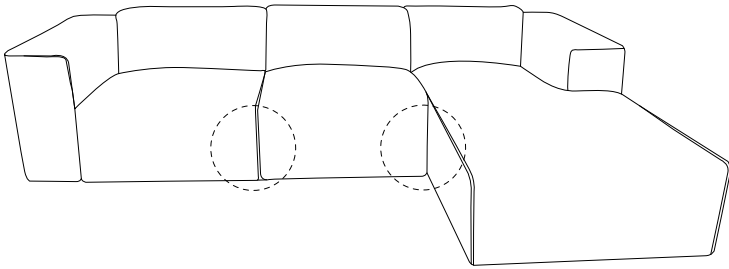
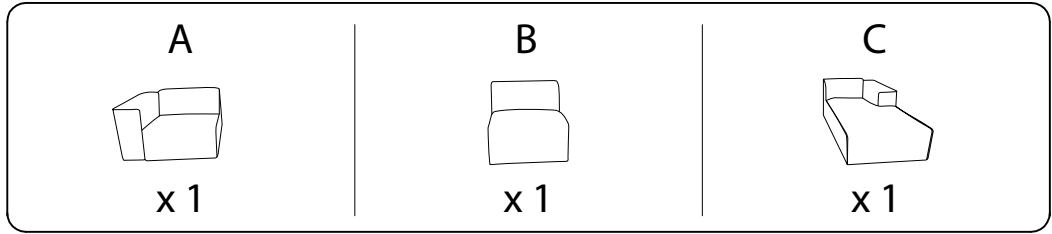
B



C



1



2

