

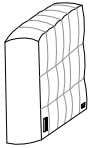


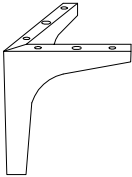
Assembly instructions for the armchair, including tool requirements, time, and personnel.

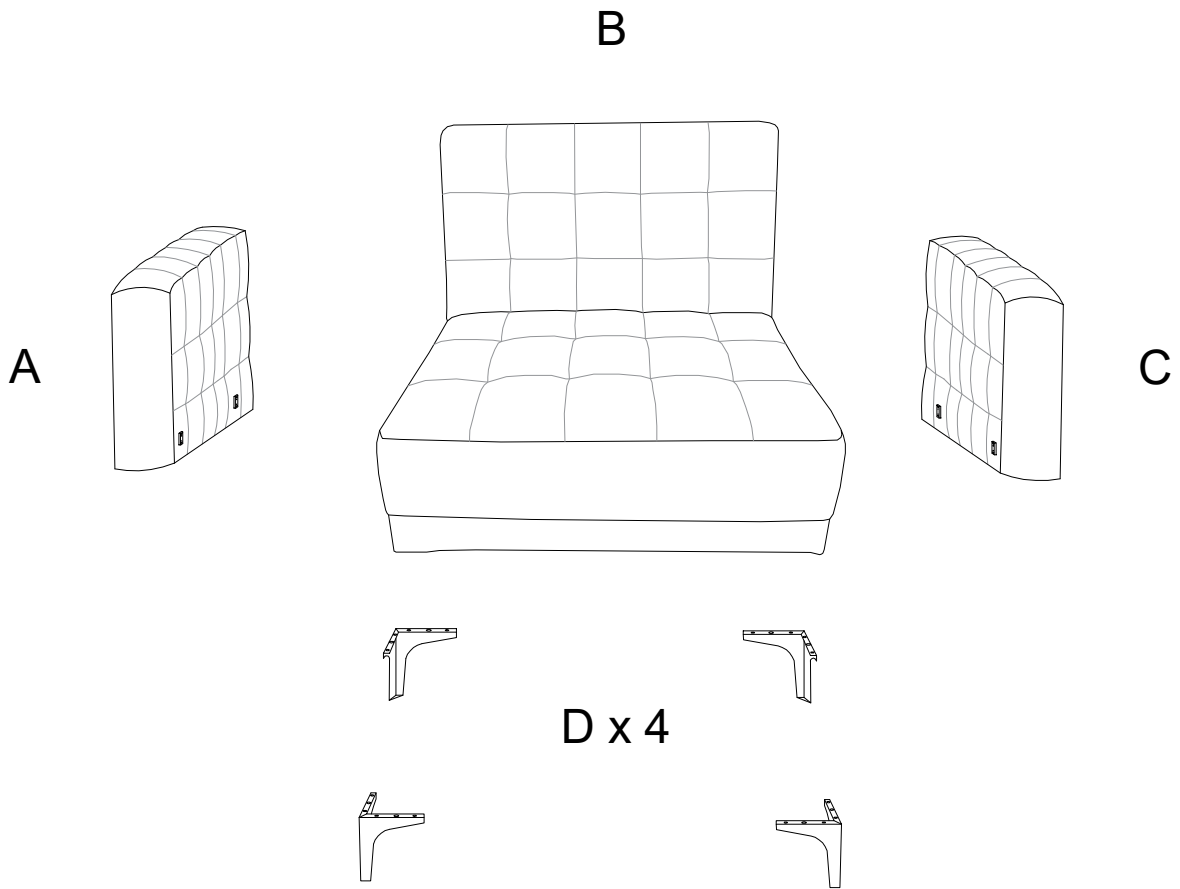
**Tools:** An icon shows an Allen key and a screwdriver inside a circle, and a power drill with a slash through it, indicating that a power drill is not required.

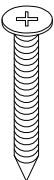

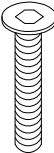

**Warning:** A warning triangle with an exclamation mark is positioned above the tool icons.

**Time:** A clock icon is shown next to the text "30'", indicating the estimated assembly time.

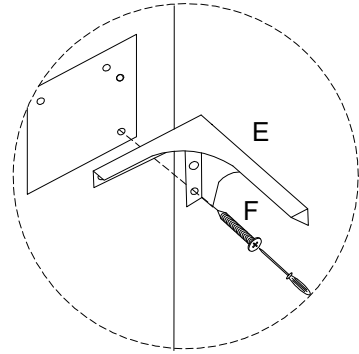
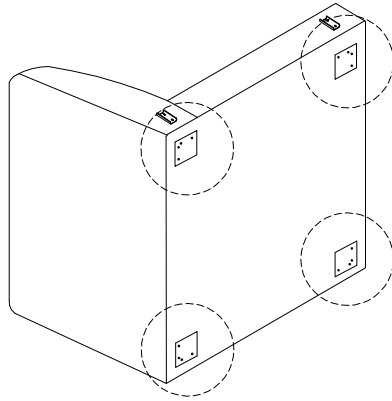
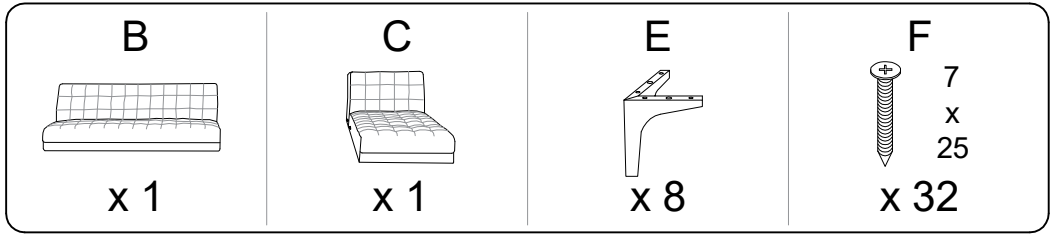
**Personnel:** An icon of a person is shown next to the number "2", indicating that two people are required for assembly.

<b>A</b>	<b>B</b>	<b>C</b>	<b>D</b>
			
<b>x 1</b>	<b>x 1</b>	<b>x 1</b>	<b>x 4</b>

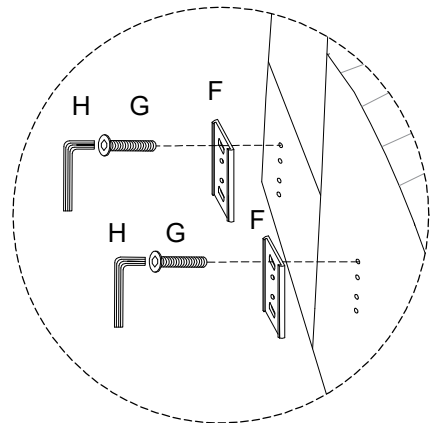
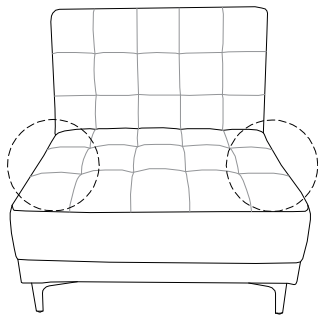
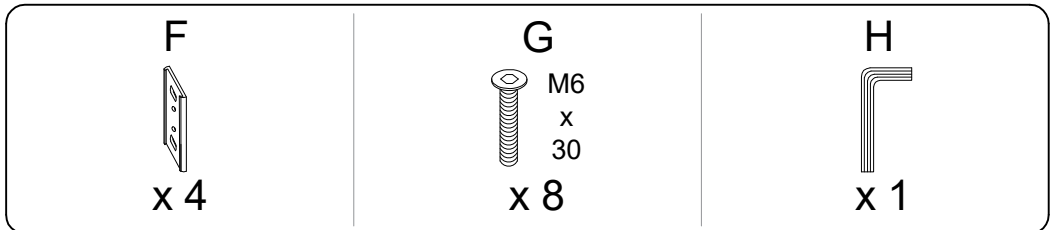


<b>E</b>	<b>F</b>	<b>G</b>	<b>H</b>
			
5 x 25 <b>x 16</b>	<b>x 4</b>	M6 x 30 <b>x 8</b>	<b>x 1</b>

1



2



3

A



x 1

B



x 1

