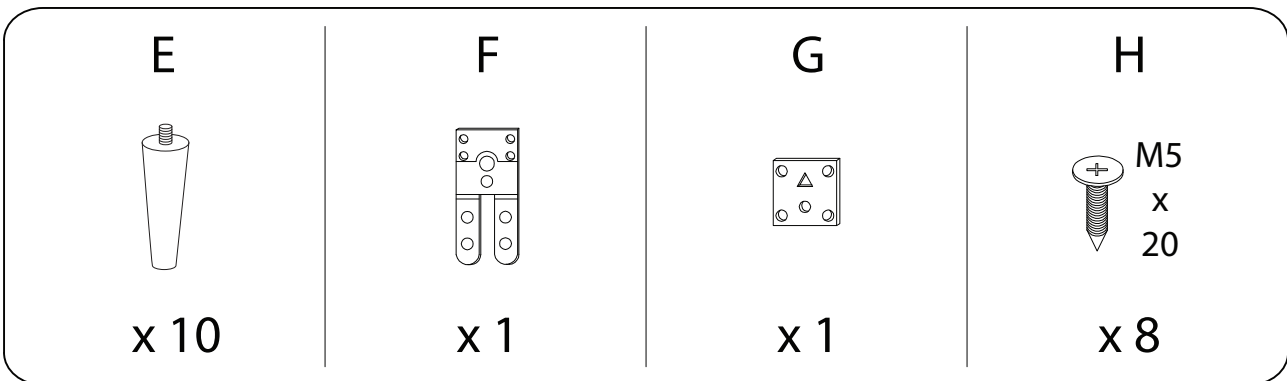
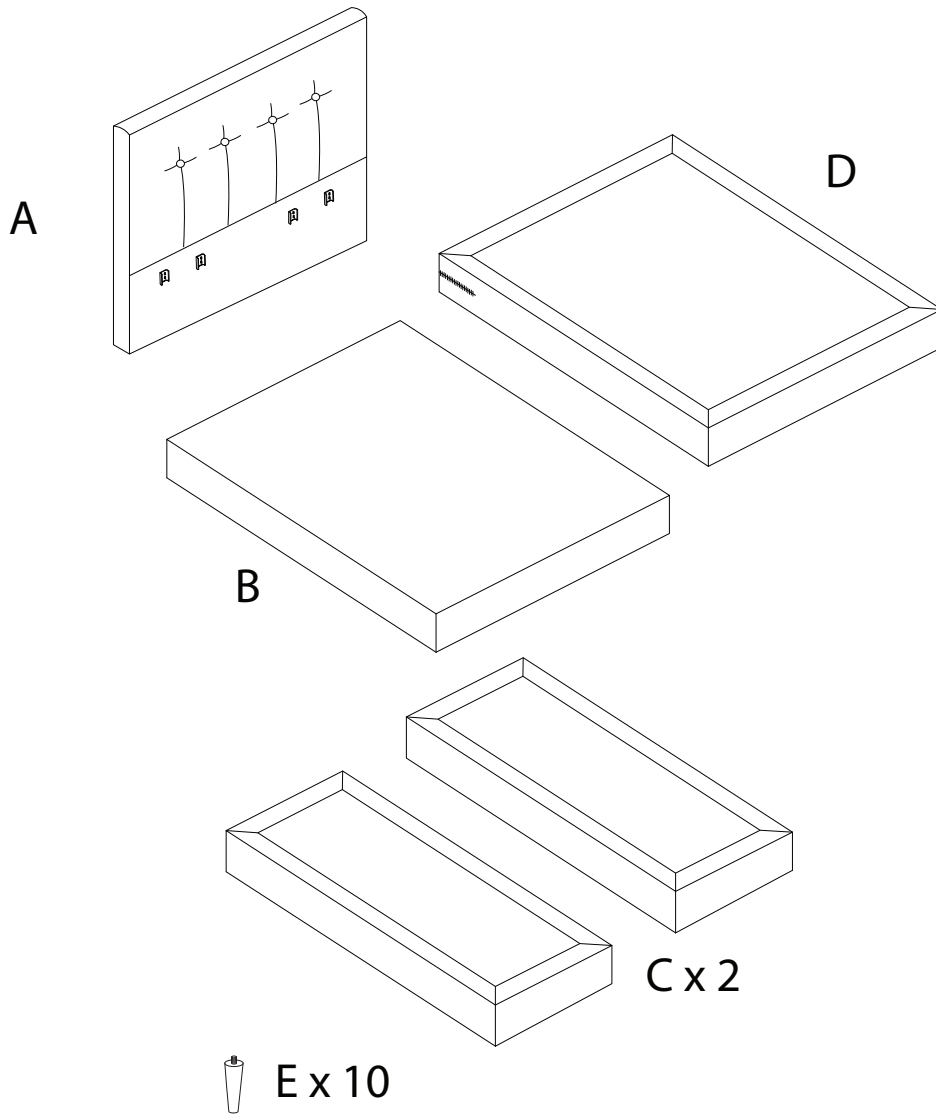
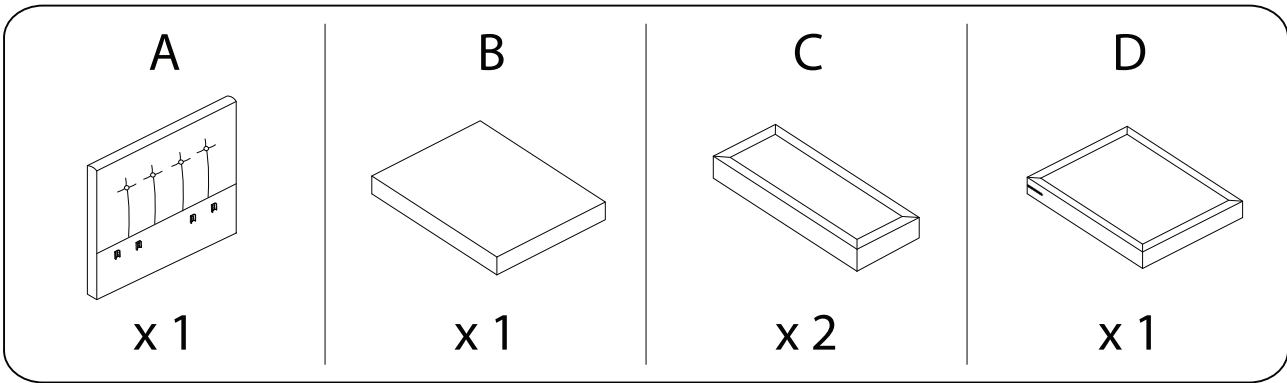


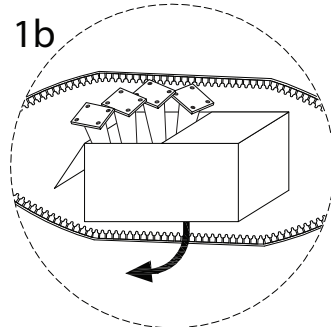
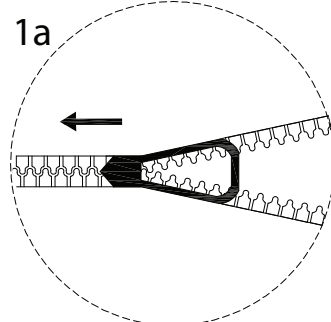
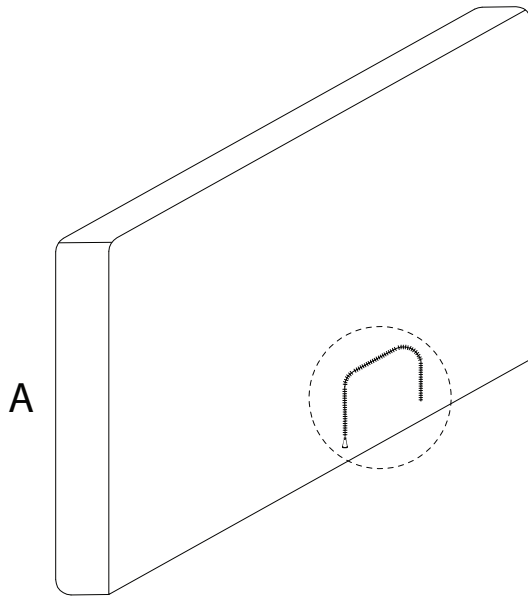
Assembly instructions for step 1/6:

- Tools:** A screwdriver is shown as the required tool. A power drill is shown with a diagonal line through it, indicating it is not to be used.
- Warning:** A warning triangle with an exclamation mark is positioned above the tool icons.
- Time:** A clock icon is shown, with the number "20'" below it, indicating an estimated assembly time of 20 minutes.
- Personnel:** A person icon is shown, with the number "1" below it, indicating that one person is required for assembly.

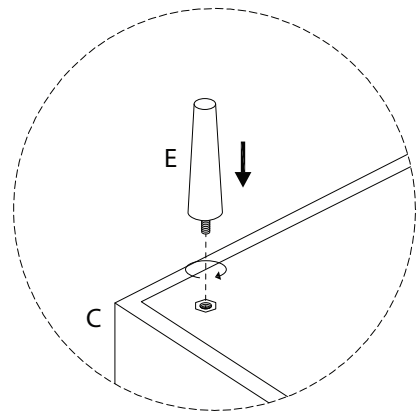
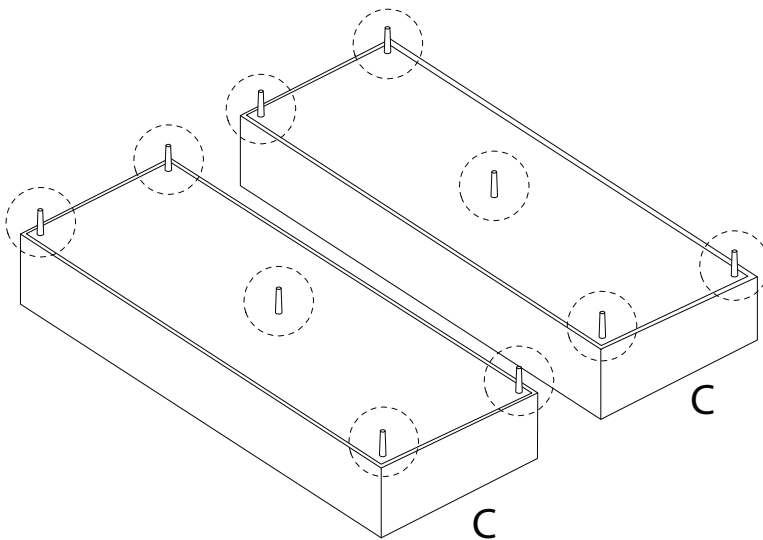
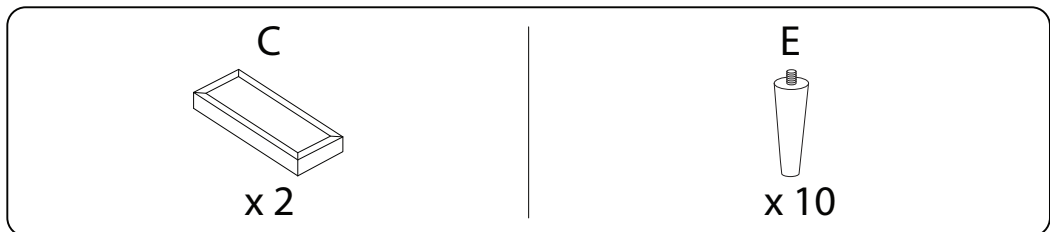
1/6



!

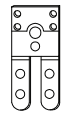


1



2

F



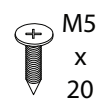
x1

G

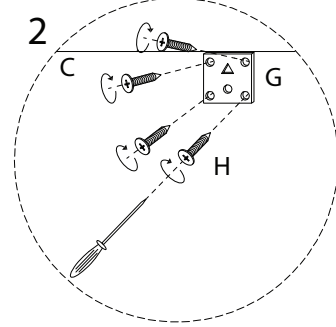
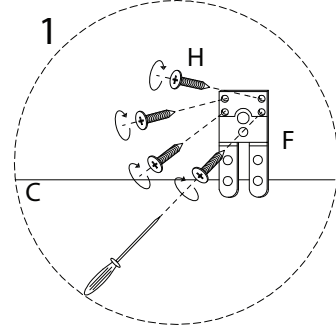
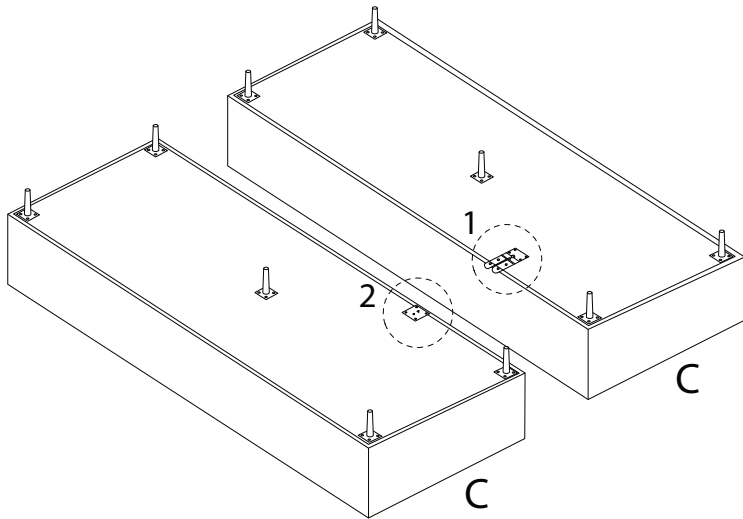


x1

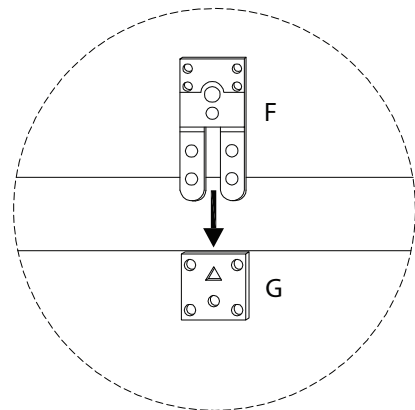
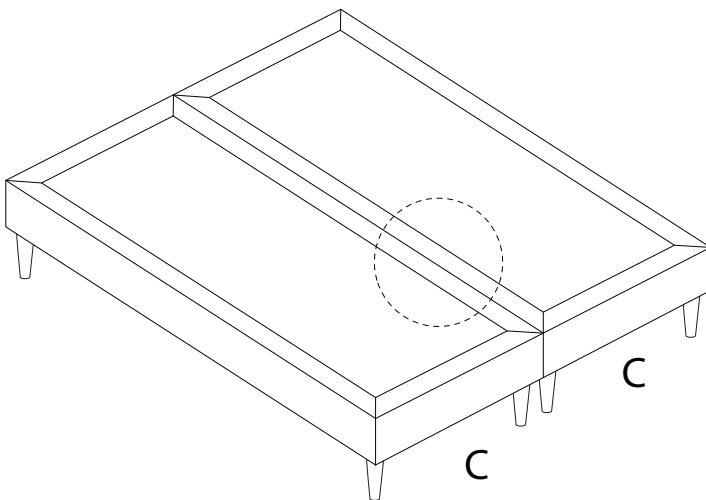
H



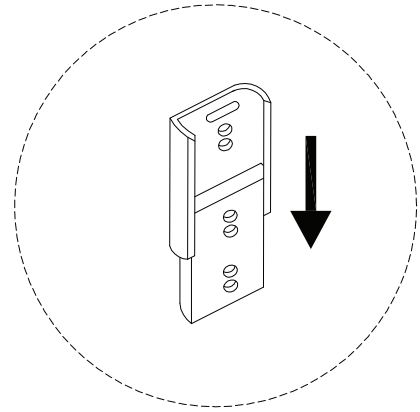
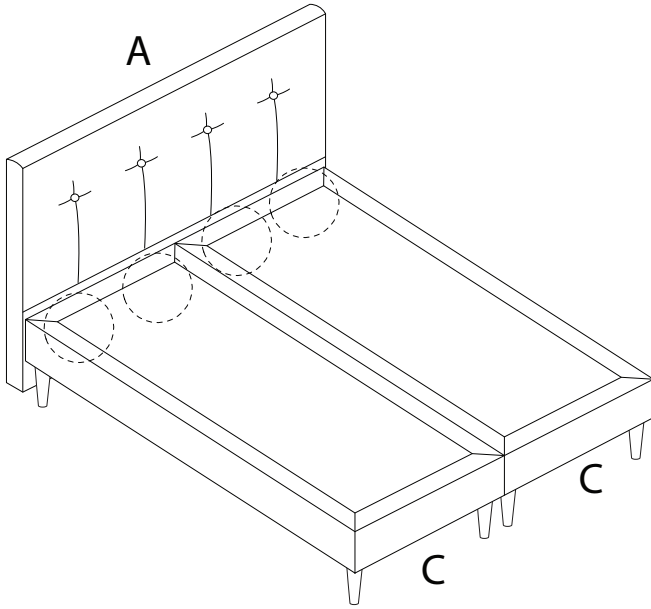
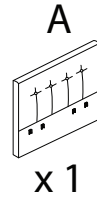
x8



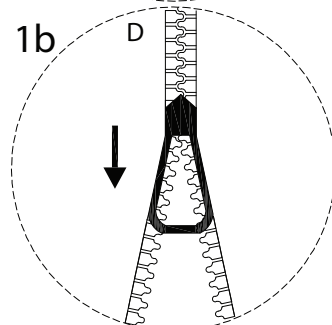
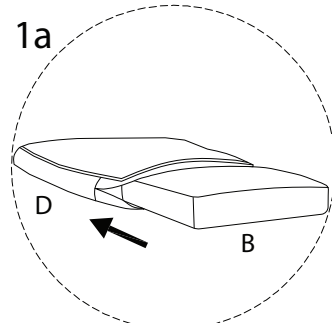
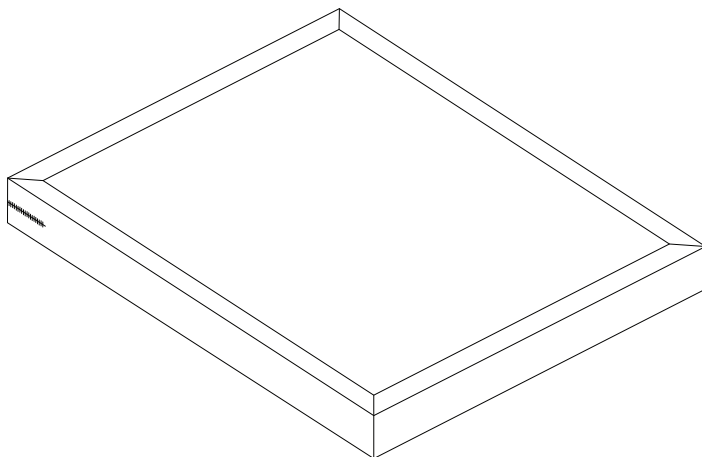
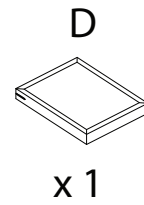
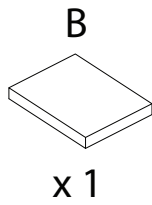
3



4



5



6

