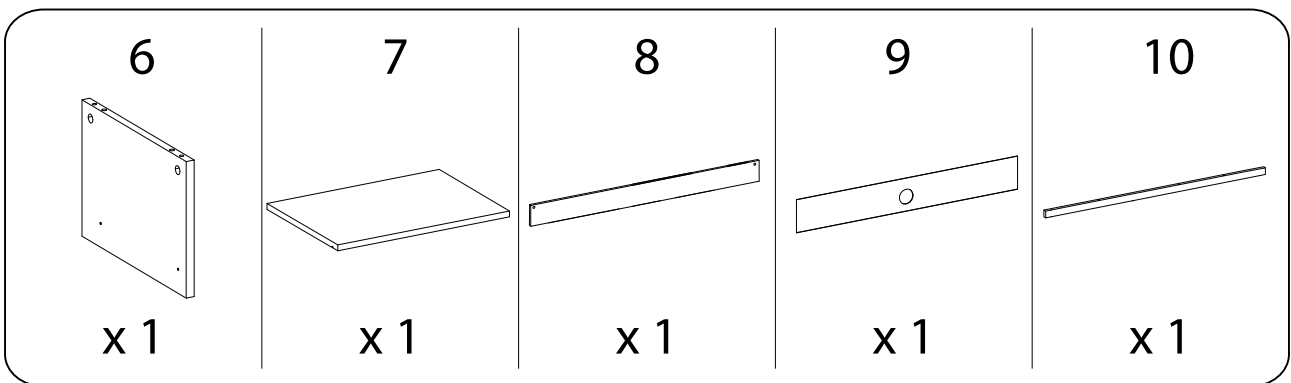
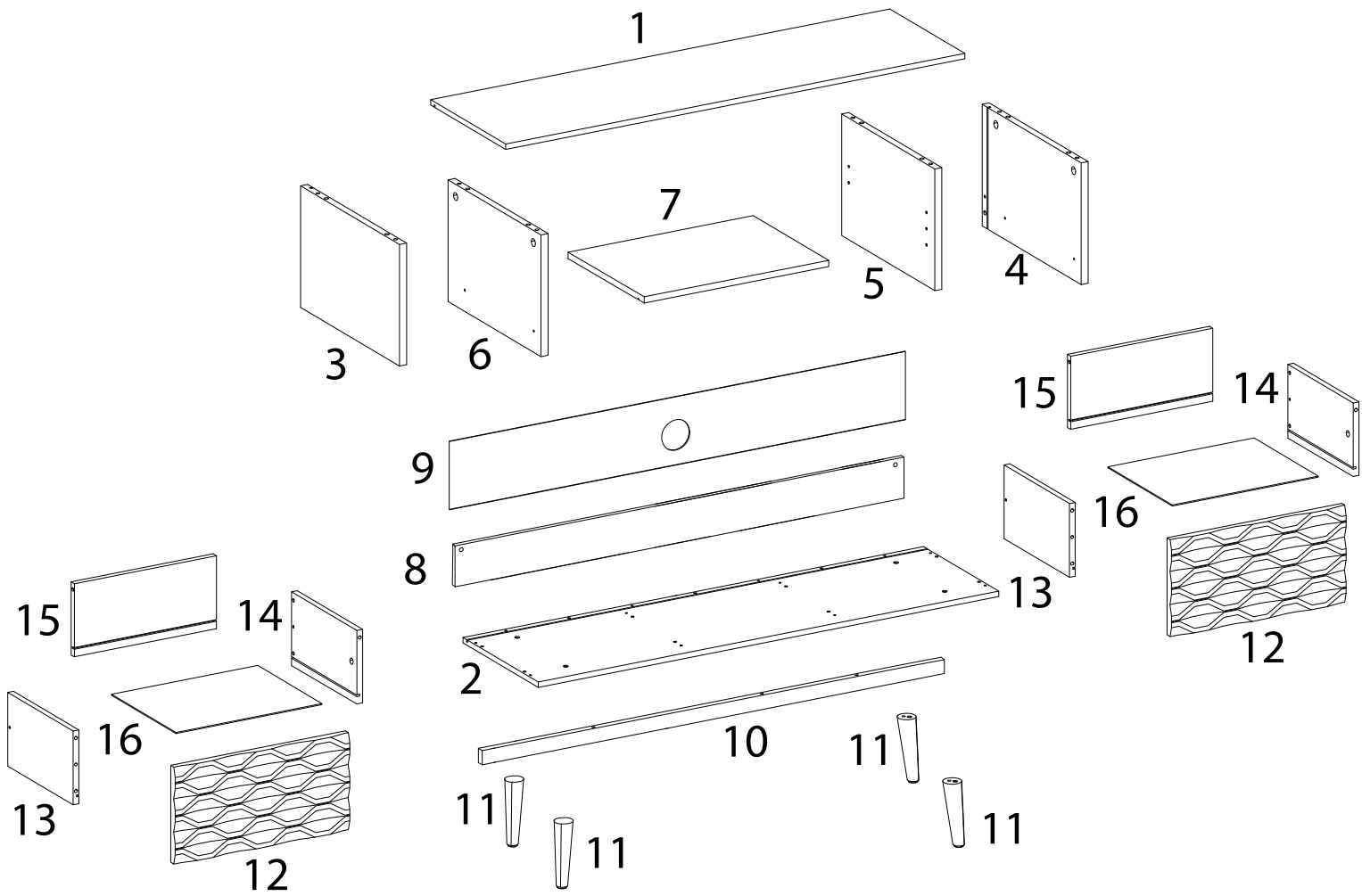
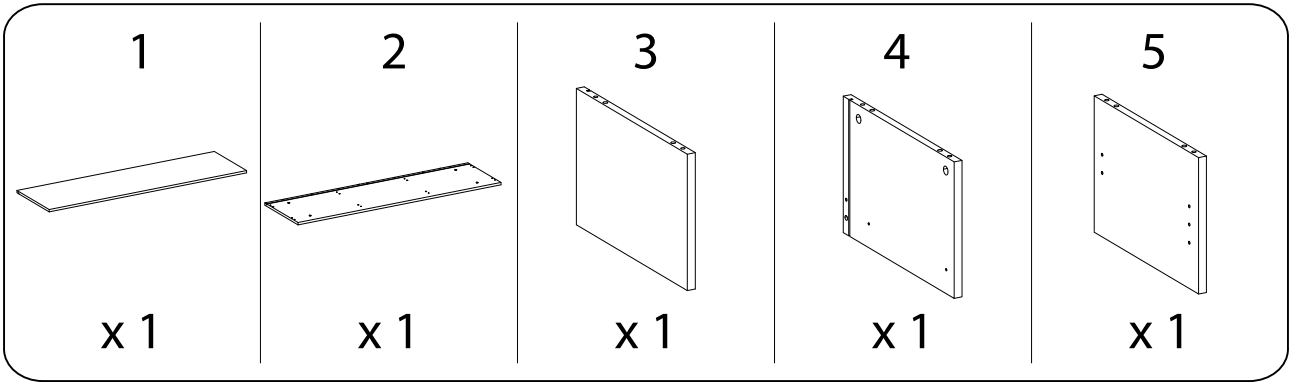

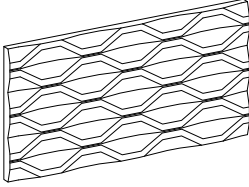
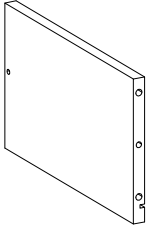
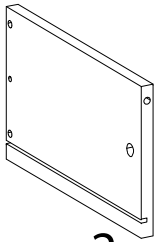
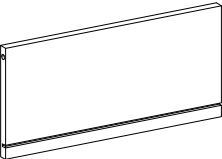

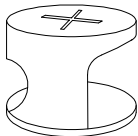

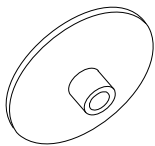
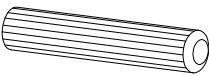
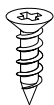
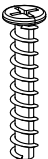

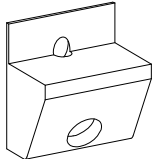
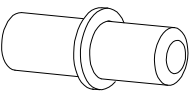
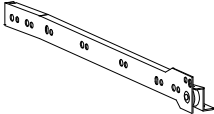
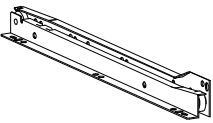
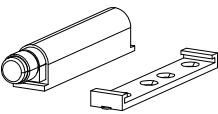
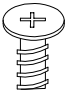
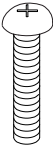
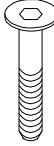

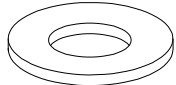


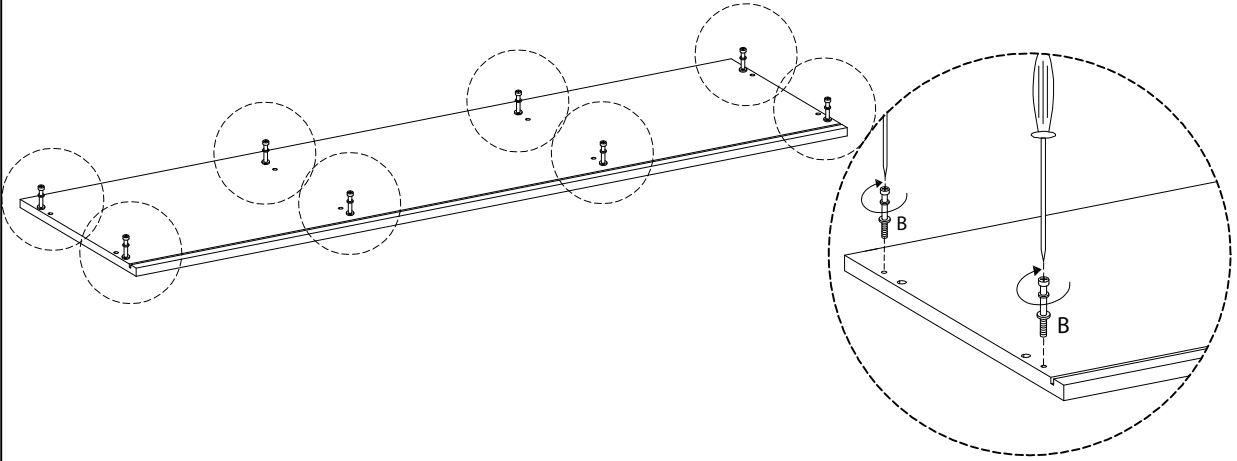
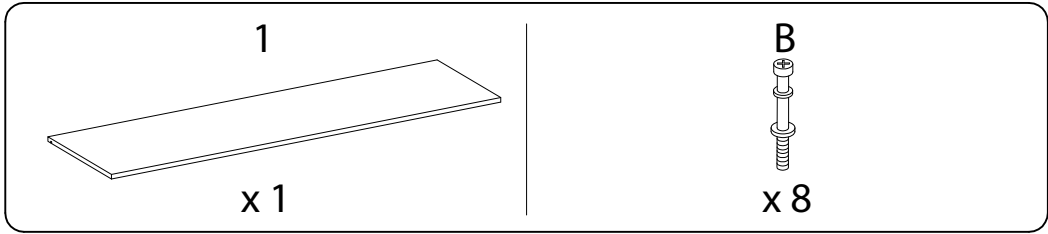
Assembly instructions for step 1/15:

- Tools:** A circle containing an L-shaped Allen key and a screwdriver. A power drill is shown with a diagonal line through it, indicating it should not be used.
- Warning:** A triangle with an exclamation mark.
- Time:** A clock icon with the text "60'" below it, indicating a 60-minute assembly time.
- Personnel:** A stick figure icon with the number "2" below it, indicating that two people are required for assembly.

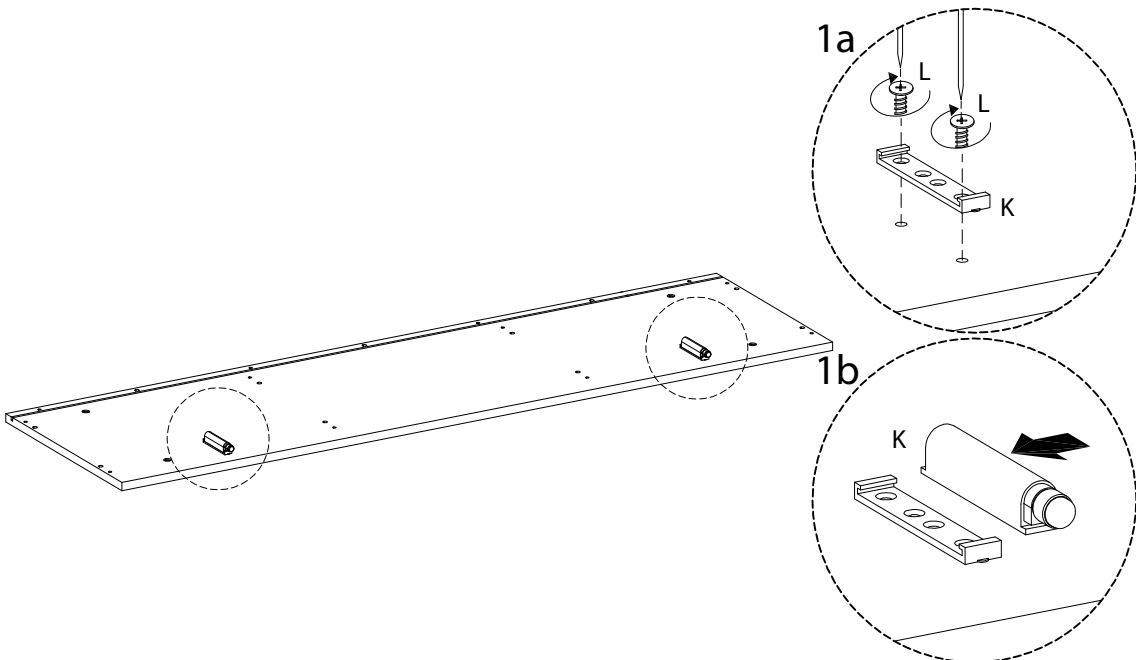
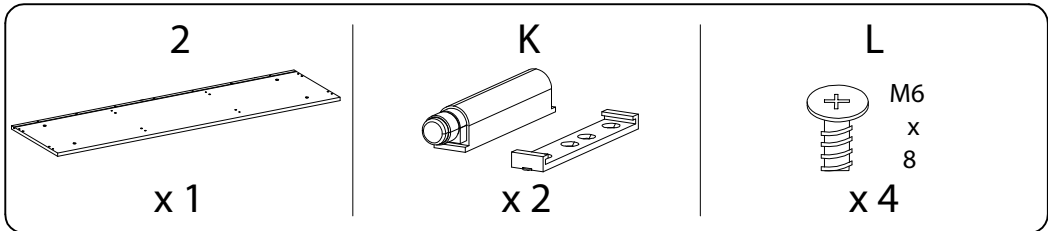


<p>11</p>  <p>x 4</p>	<p>12</p>  <p>x 2</p>	<p>13</p>  <p>x 2</p>	<p>14</p>  <p>x 2</p>	
<p>15</p>  <p>x 2</p>	<p>16</p>  <p>x 2</p>	<p>A</p>  <p>x 14</p>	<p>B</p>  <p>x 14</p>	<p>C</p>  <p>x 12</p>
<p>D</p>  <p>x 41</p>	<p>E</p>  <p>M6 x 13</p> <p>x 8</p>	<p>F</p>  <p>M10 x 33.5</p> <p>x 16</p>	<p>G</p>  <p>M4 x 19</p> <p>x 6</p>	<p>H</p>  <p>x 6</p>
<p>I</p>  <p>x 4</p>	<p>J1</p>  <p>x 2</p>	<p>J2</p>  <p>x 2</p>	<p>K</p>  <p>x 2</p>	<p>L</p>  <p>M6 x 8</p> <p>x 12</p>
<p>M</p>  <p>M6 x 50</p> <p>x 4</p>	<p>N</p>  <p>M6 x 30</p> <p>x 4</p>	<p>O</p>  <p>x 1</p>	<p>P</p>  <p>x 4</p>	

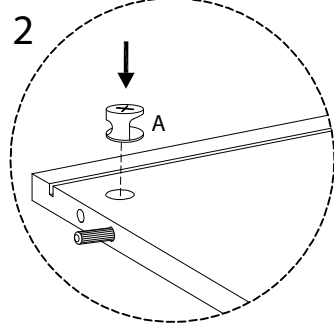
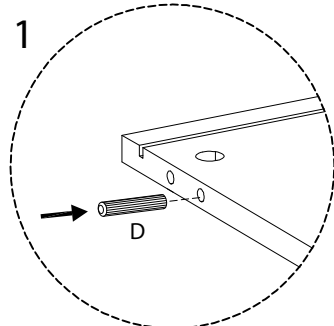
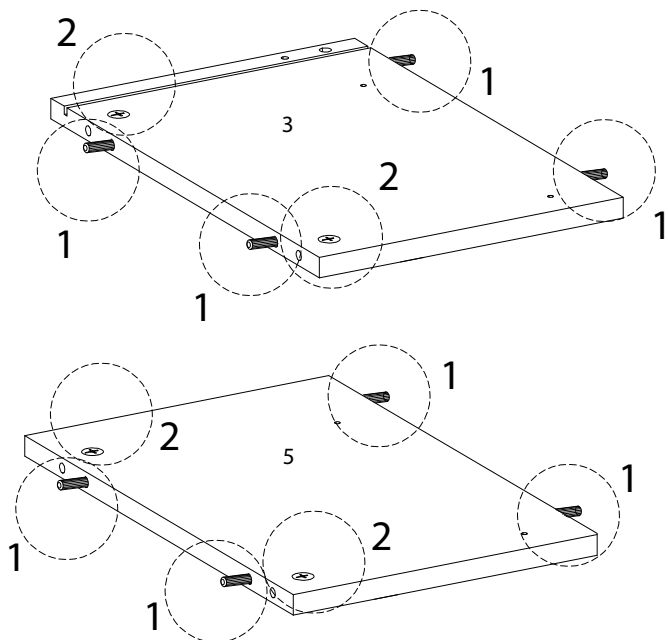
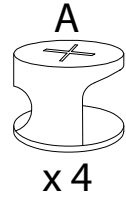
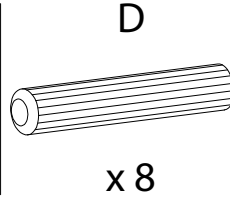
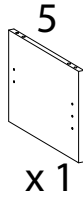
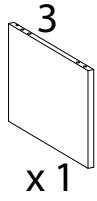
1



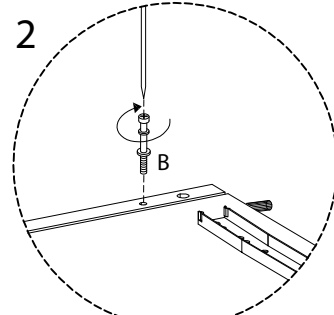
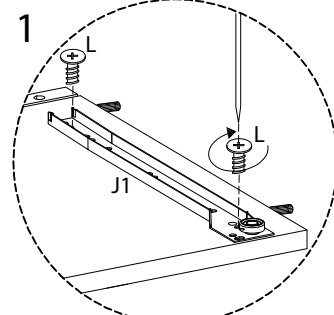
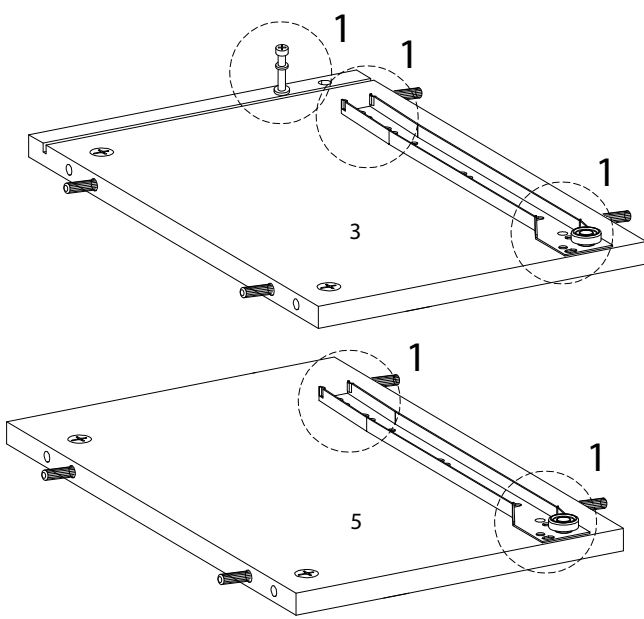
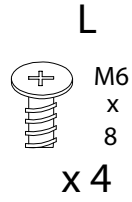
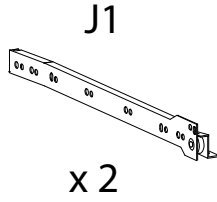
2



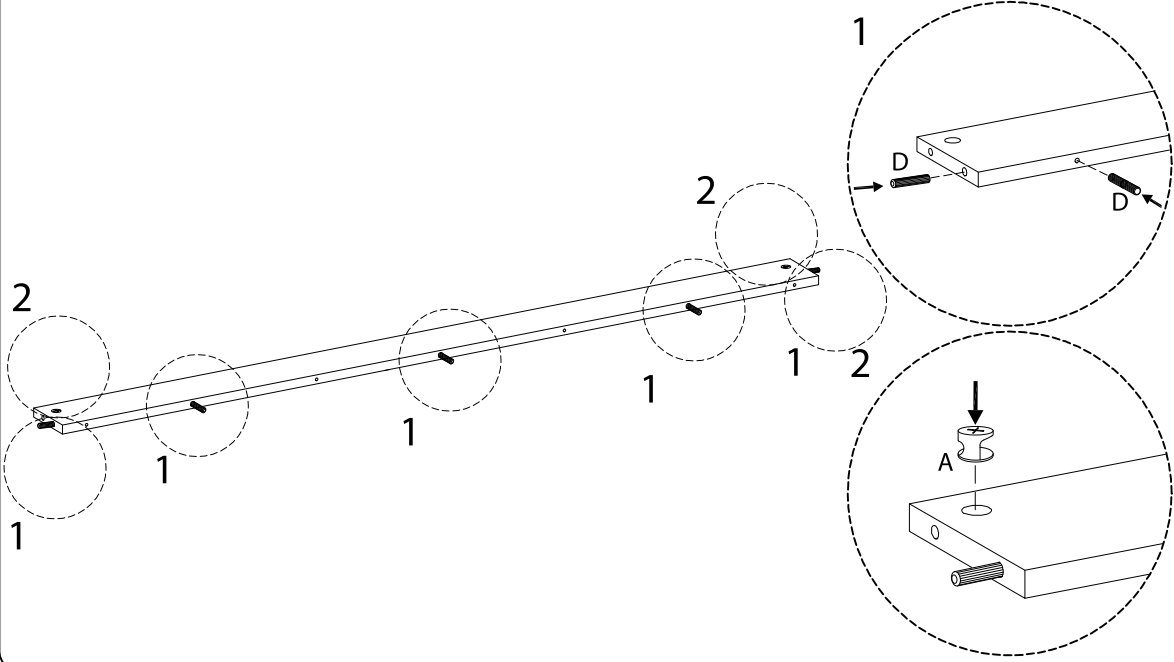
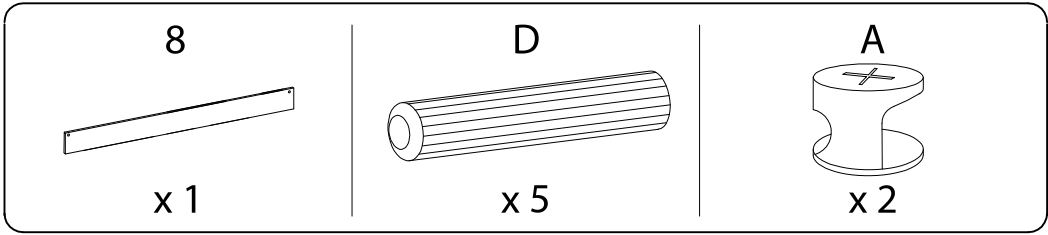
3



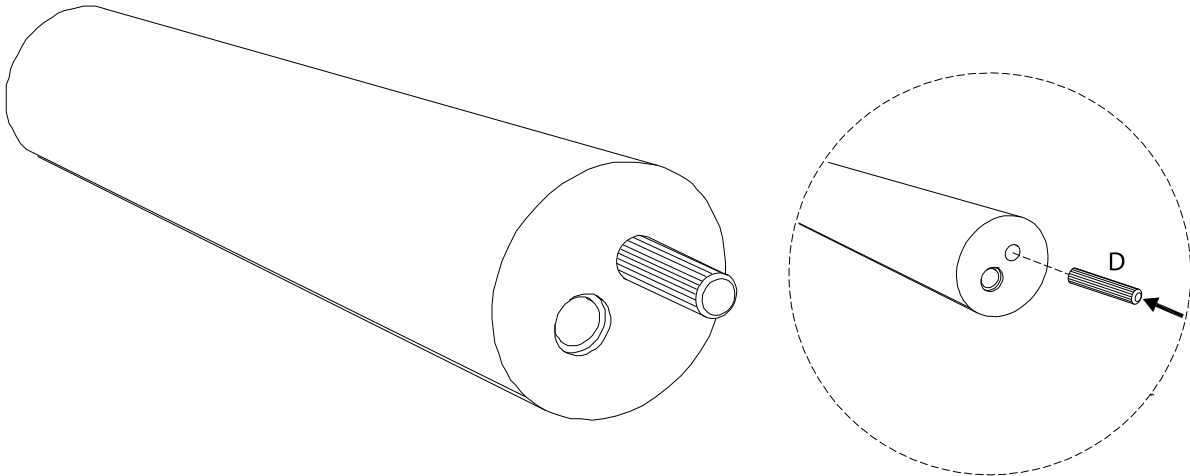
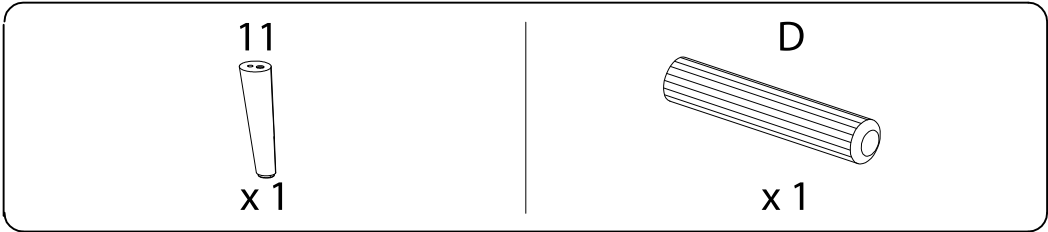
4



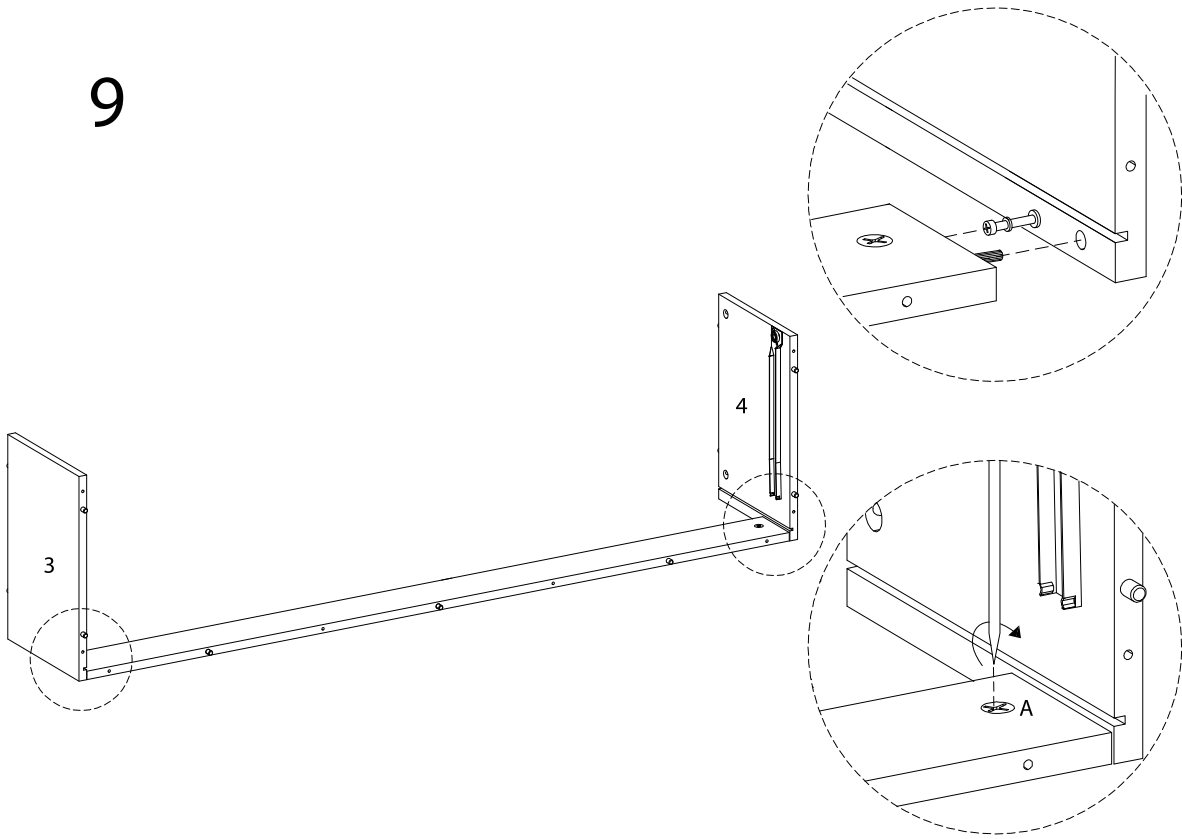
7



8x4

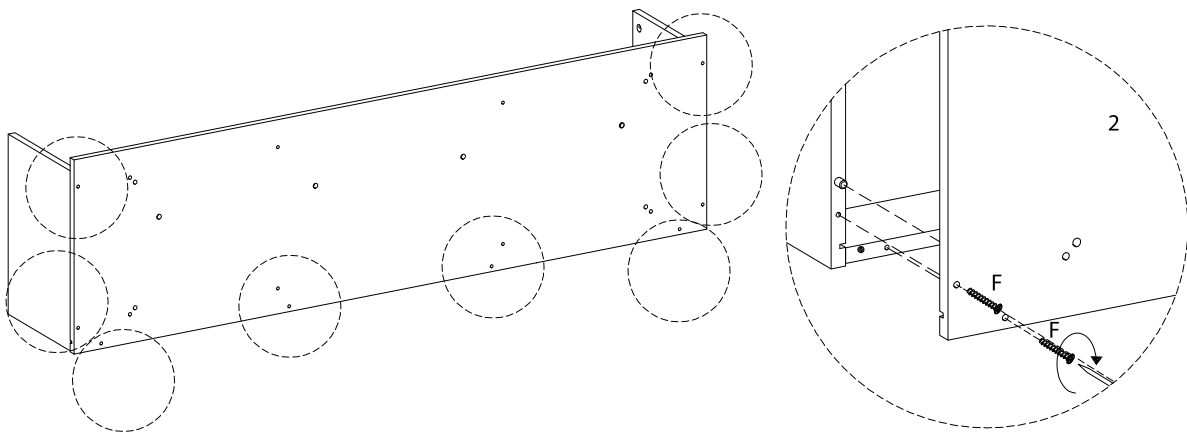


9



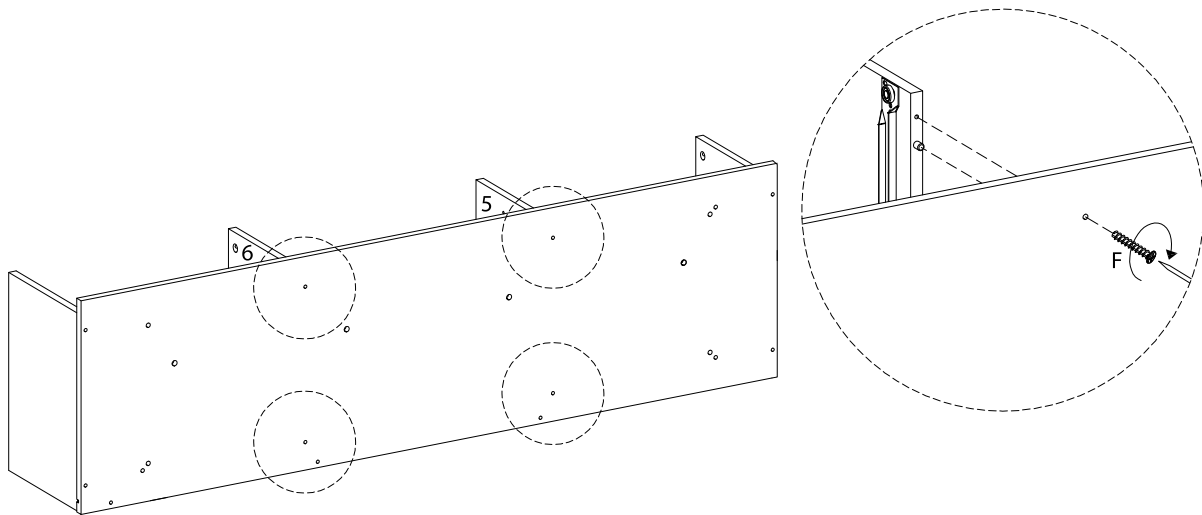
10

F
M10
x
33.5
x 8



11

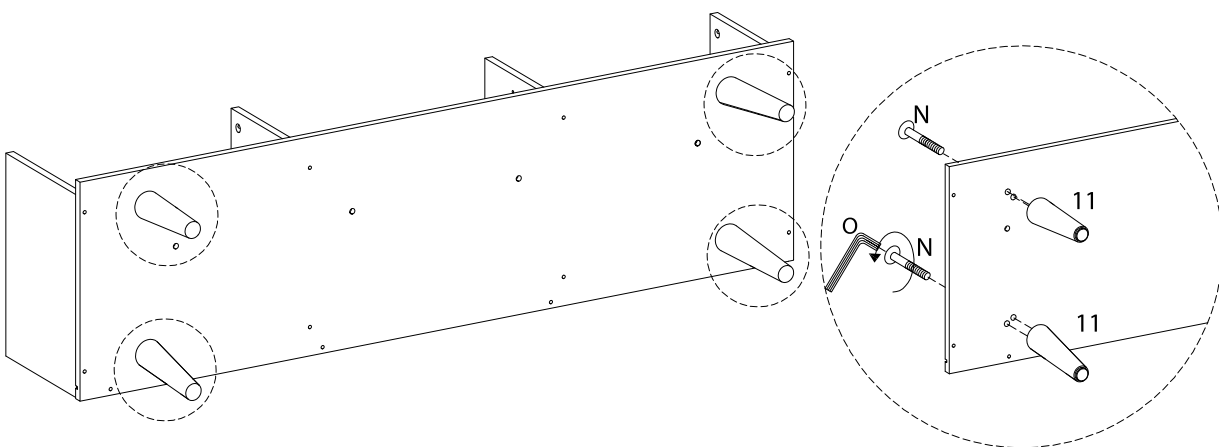
F
M10
x
33.5
x 4



12

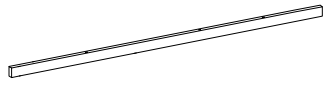
N
M6
x
30
x 4

O
x 1



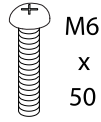
13

10



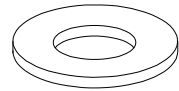
x 1

M

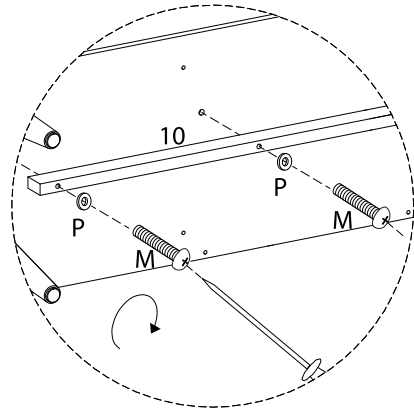
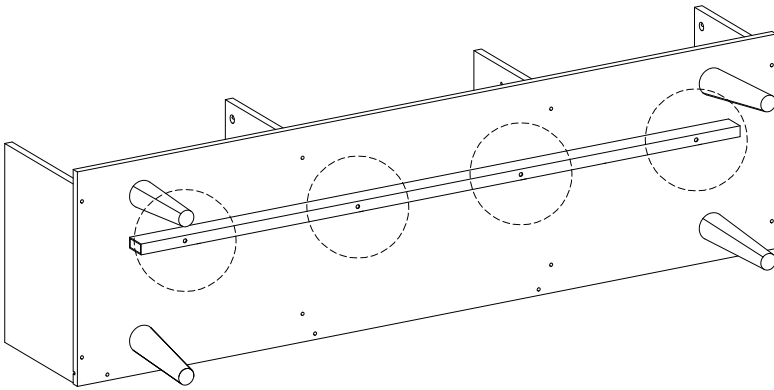


M6
x
50
x 4

P

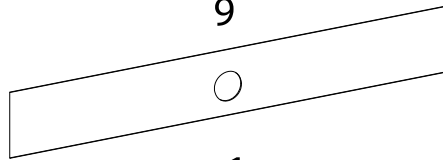


x 4

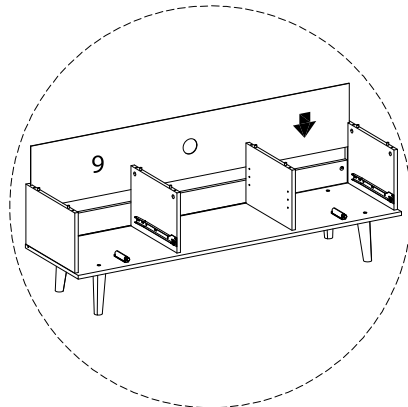
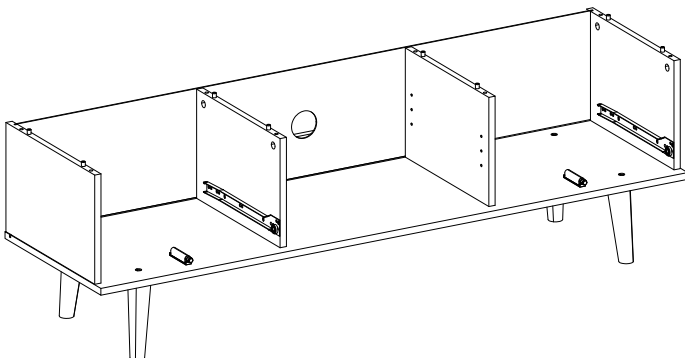


14

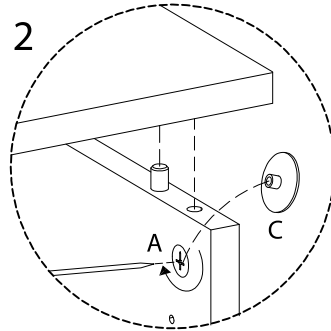
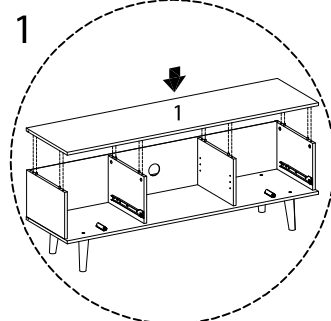
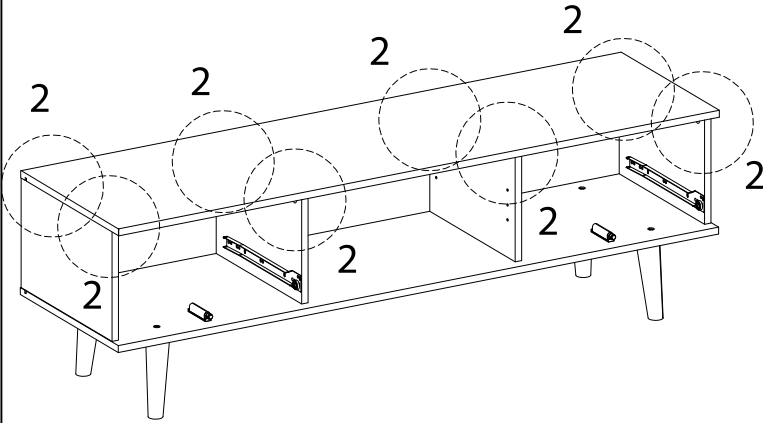
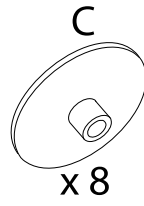
9



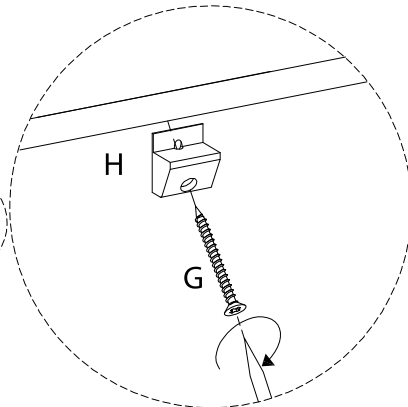
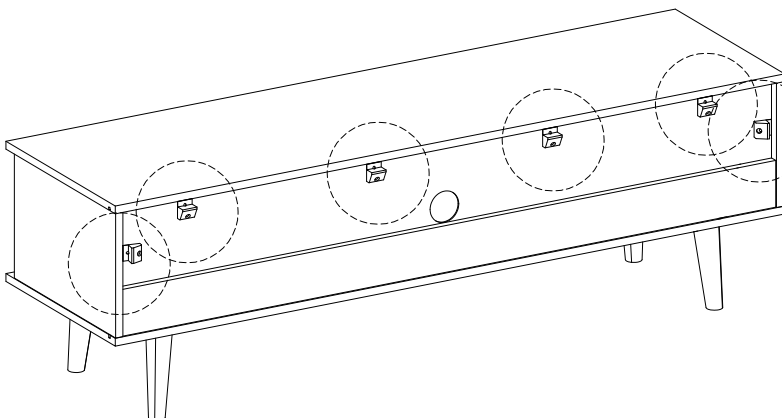
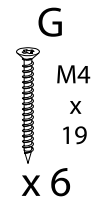
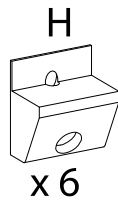
x 1



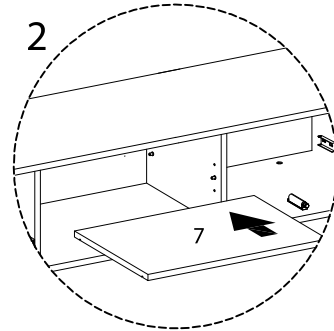
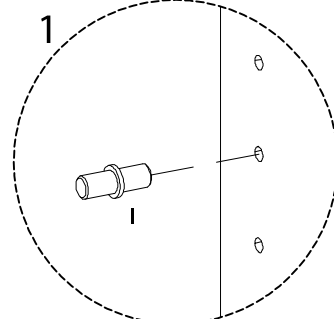
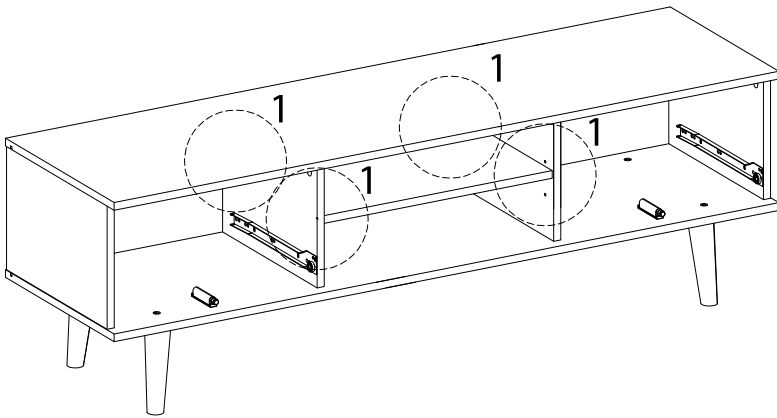
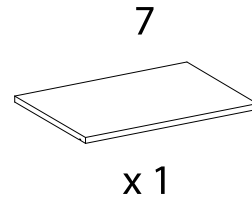
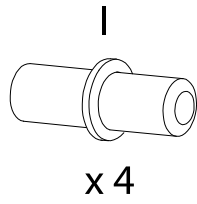
15



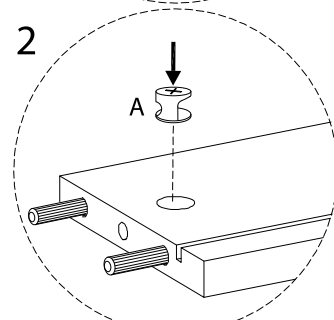
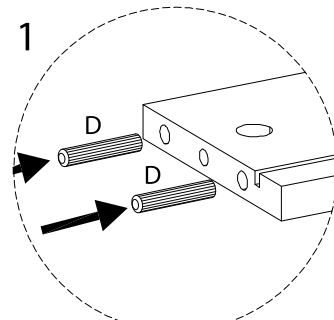
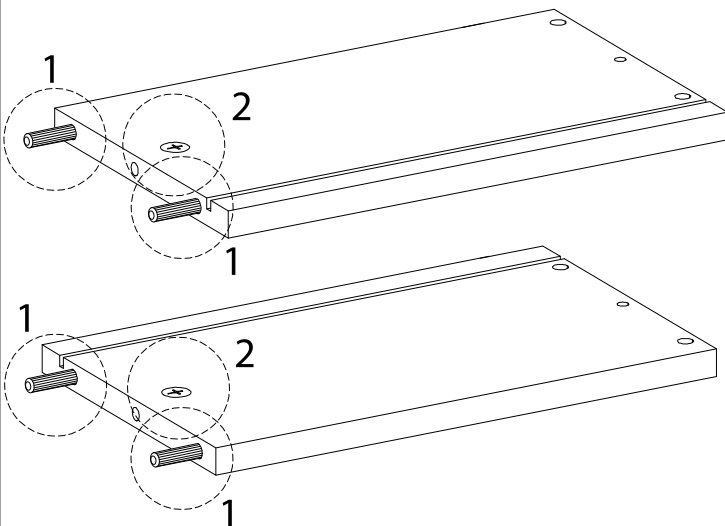
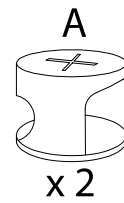
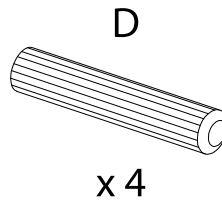
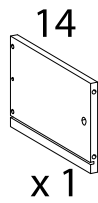
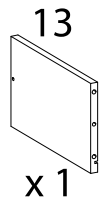
16



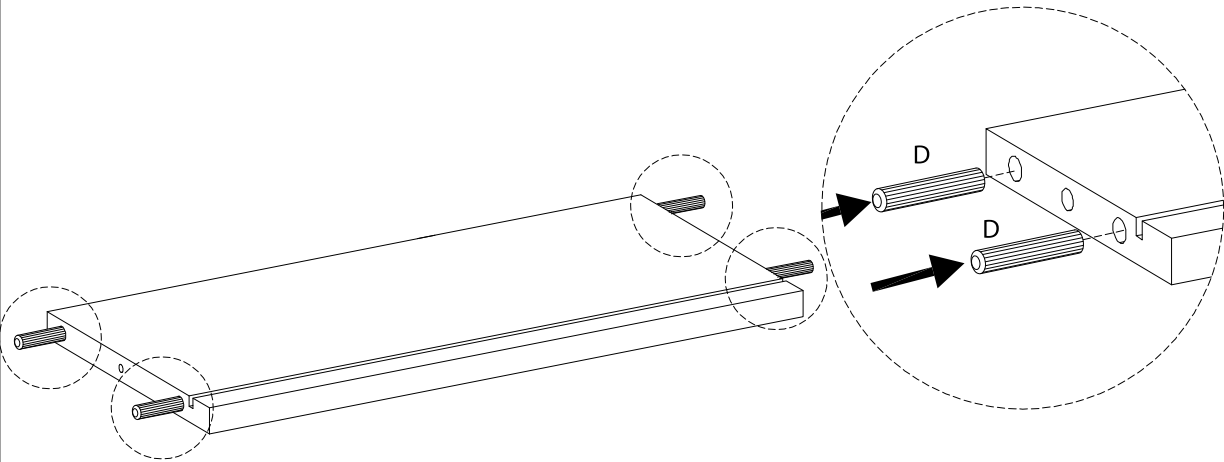
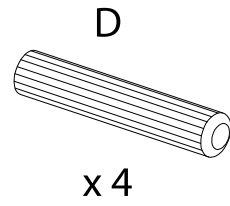
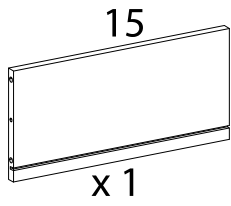
17



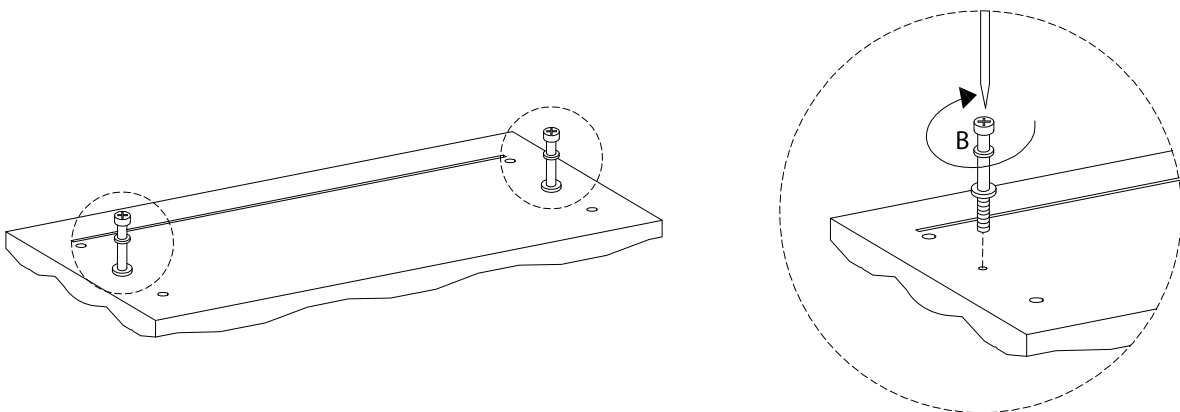
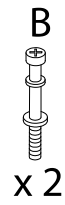
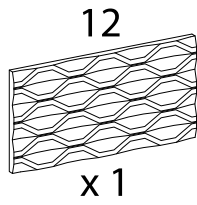
18 x2



19 x2

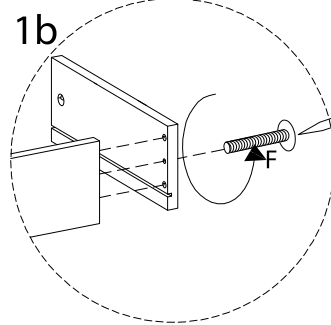
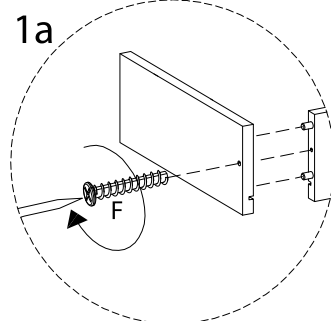
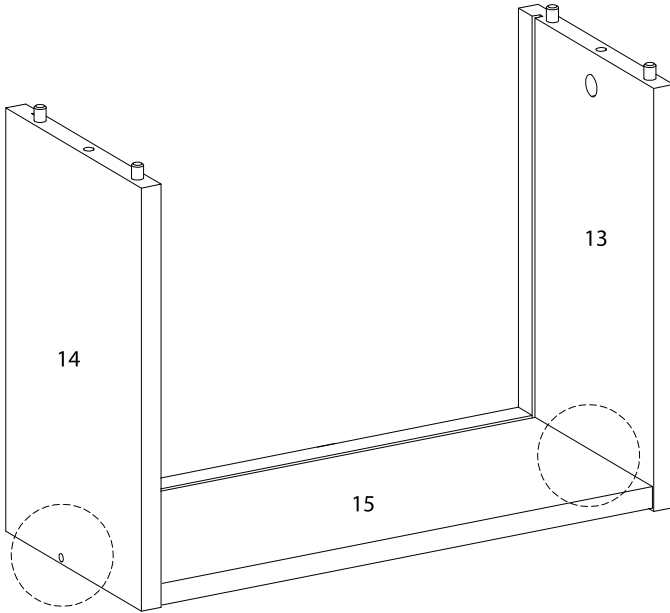


20 x2

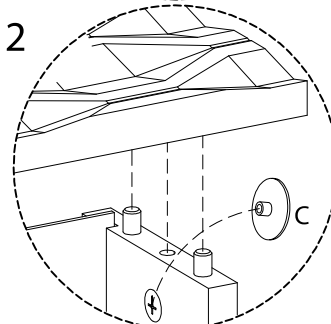
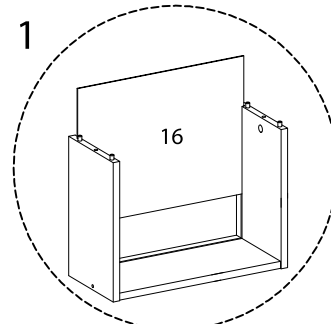
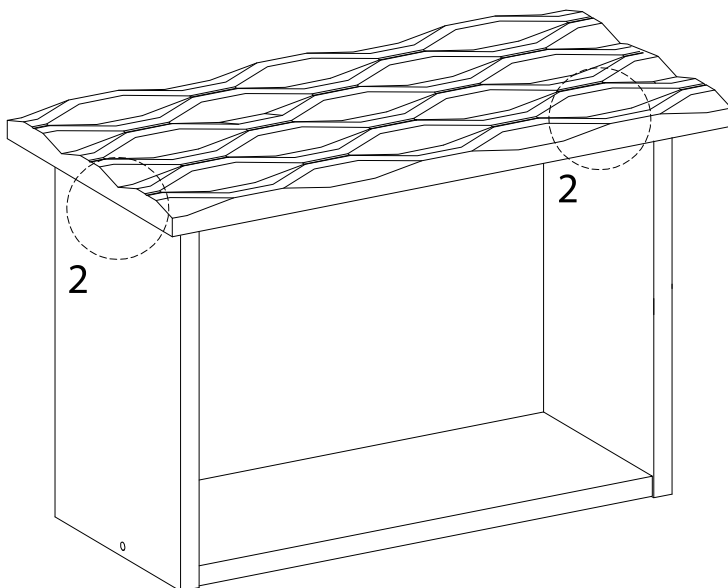
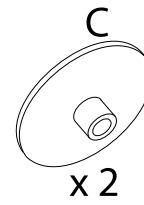
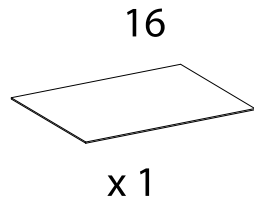


21 x2

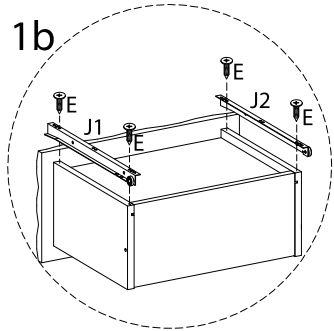
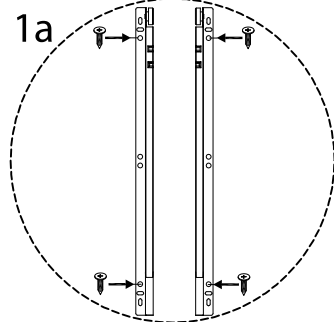
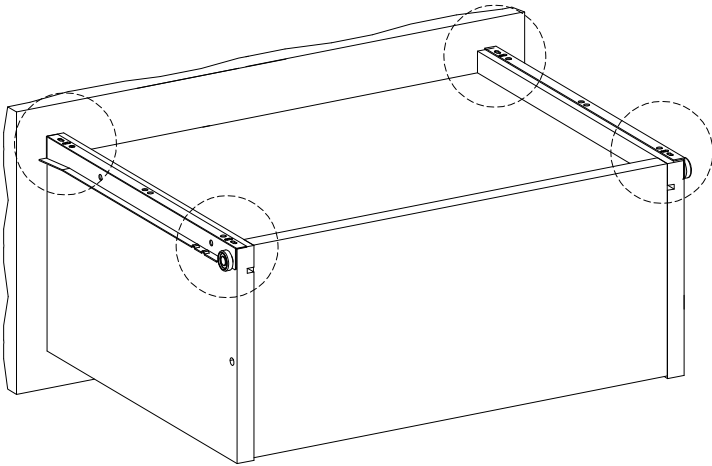
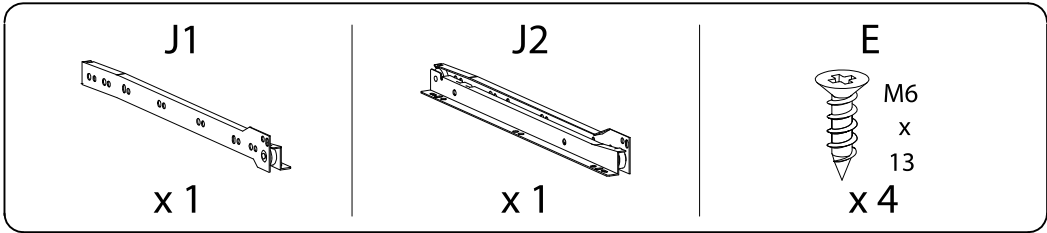
F
M10
x
33.5
x 2



22 x2



23 x 2



24

