



VONROC®

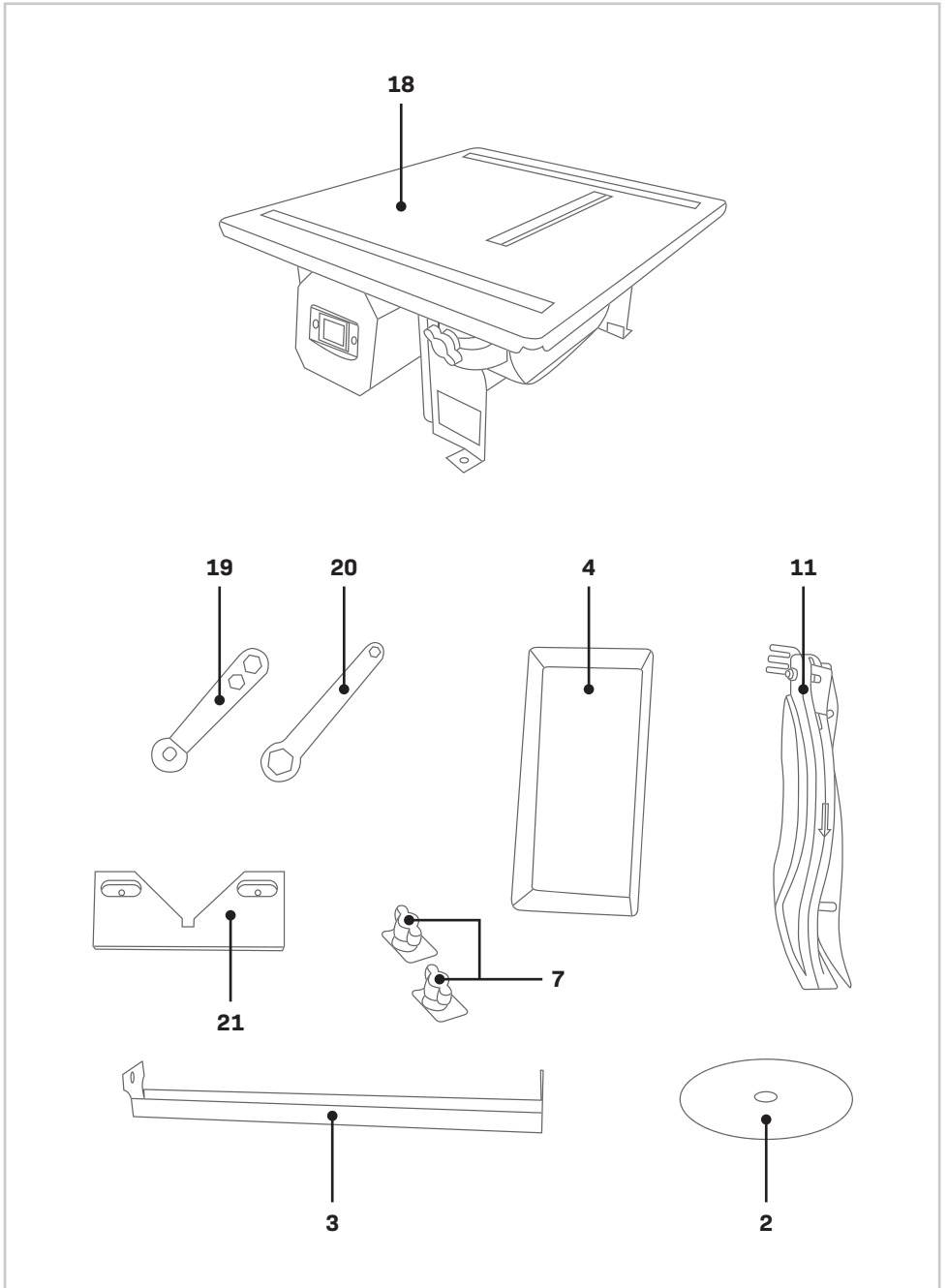
BUILD YOUR FUTURE

TILE CUTTER 450W TC502AC

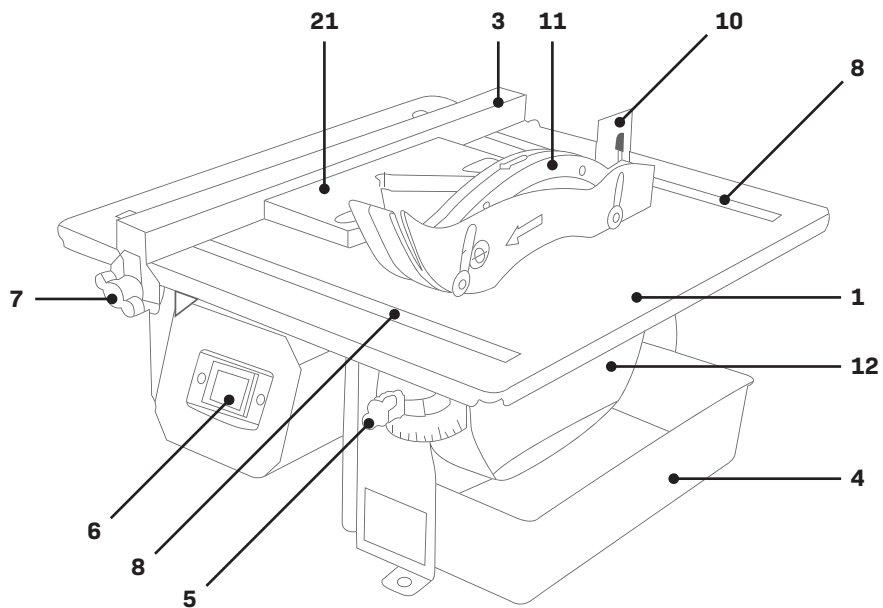


EN Original Instructions	07
DE Übersetzung Der Originalbetriebsanleitung	13
NL Vertaling van de oorspronkelijke gebruiksaanwijzing	20
FR Traduction de la notice originale	27
ES Traducción del manual original	34
PT Tradução do manual original	41
IT Traduzione delle istruzioni originali	48
SV Översättning av bruksanvisning i original	55
DA Oversættelse af den originale brugsanvisning	61
HU Az eredeti használati útmutató fordítása	67
CS Překlad původního návodu k používání	73
PL Tłumaczenie instrukcji oryginalnej	80
RO Traducere a instrucțiunilor originale	87
TR Orijinal talimatların çevirisi	93

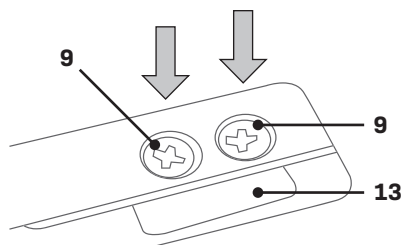
PACKAGE CONTENTS



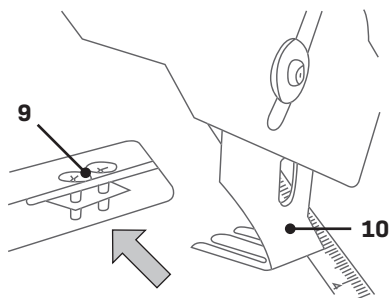
A



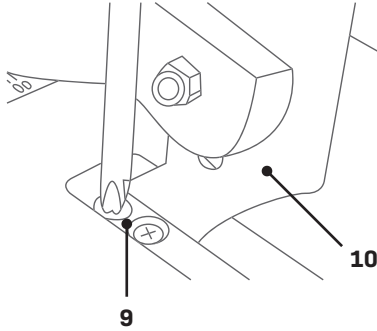
B-1



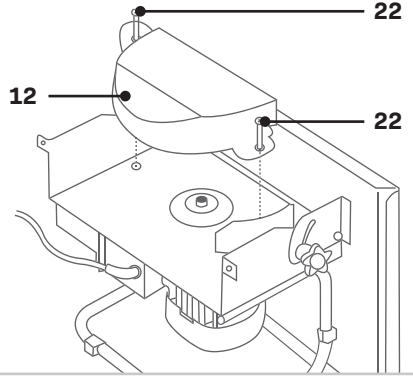
B-2



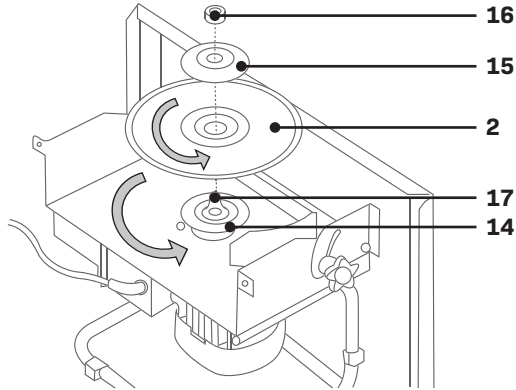
B-3



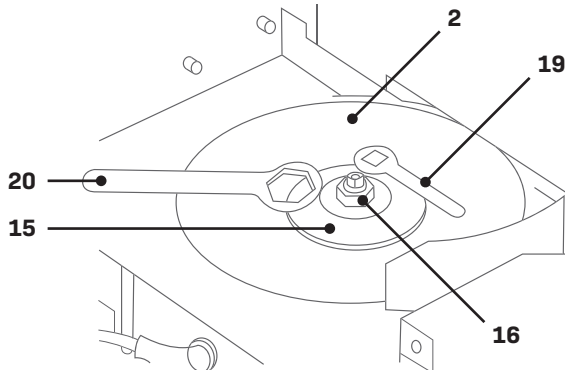
C-1



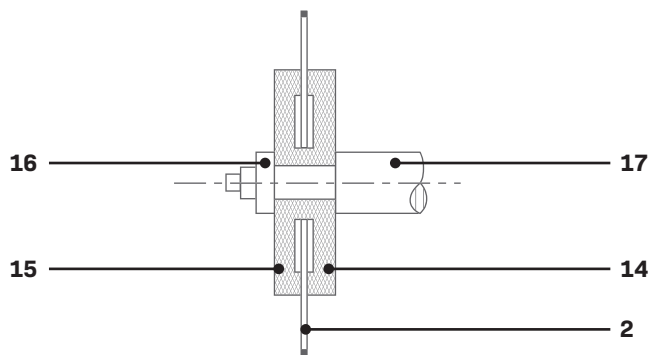
C-2



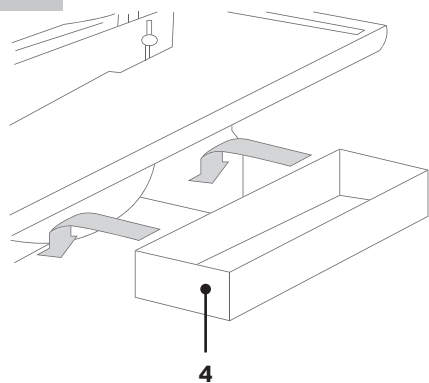
C-3



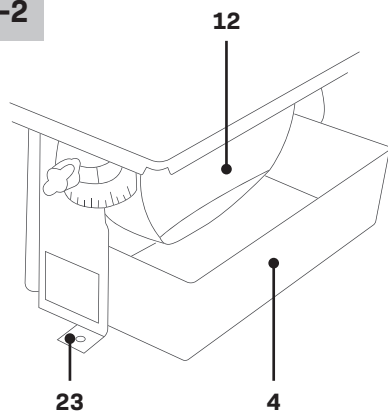
C-4



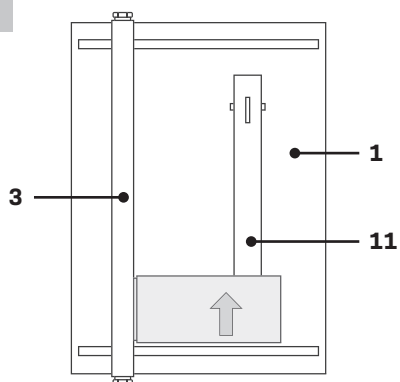
D-1



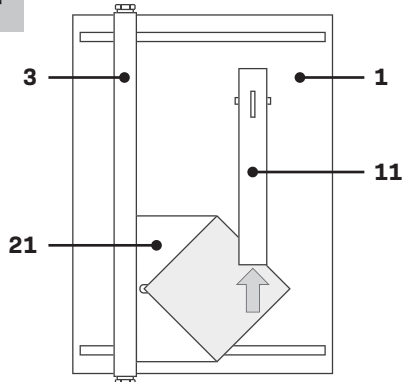
D-2

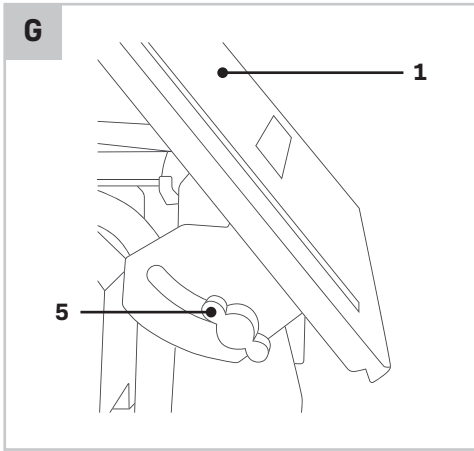


E



F





1. SAFETY INSTRUCTIONS

Read the enclosed safety warnings, the additional safety warnings and the instructions. Failure to follow the safety warnings and the instructions may result in electric shock, fire and/or serious injury. Save the safety warnings and the instructions for future reference.

The following symbols are used in the user manual or on the product:



Read the user manual.



Denotes risk of personal injury, loss of life or damage to the tool in case of non-observance of the instructions in this manual.



Risk of electric shock.



Immediately unplug the plug from the mains electricity in the case that the cord gets damaged and during maintenance.



Wear hearing protection.



Wear eye protection.



Earthing symbol. This appliance is classified as protection class I and must be connected to an earthed socket.



Do not dispose of the product in unsuitable containers.



The product is in accordance with the applicable safety

GENERAL POWER TOOL SAFETY WARNINGS



WARNING! Read all safety warnings and all instructions. Failure to follow the warnings and instructions may result in electric shock, fire and/or serious injury.

Save all warnings and instructions for future reference.

The term "power tool" in the warnings refers to your mains-operated (corded) power tool or battery-operated (cordless) power tool.

1) Work area safety

- a) **Keep the work area clean and well lit.** Cluttered or dark areas invite accidents.
- b) **Do not operate power tools in explosive atmospheres, such as in the presence of flammable liquids, gases or dust.** Power tools create sparks which may ignite the dust or fumes.
- c) **Keep children and bystanders away while operating a power tool.** Distractions can cause you to lose control.

2) Electrical safety

- a) **Power tool plugs must match the outlet. Never modify the plug in any way. Do not use any adapter plugs with earthed (grounded) power tools.** Unmodified plugs and matching outlets will reduce risk of electric shock.
- b) **Avoid body contact with earthed or grounded surfaces, such as pipes, radiators, ranges and refrigerators.** There is an increased risk of electric shock if your body is earthed or grounded.
- c) **Do not expose power tools to rain or wet conditions.** Water entering a power tool will increase the risk of electric shock.
- d) **Do not abuse the cord. Never use the cord for carrying, pulling or unplugging the power tool. Keep cord away from heat, oil, sharp edges or moving parts.** Damaged or entangled cords increase the risk of electric shock.
- e) **When operating a power tool outdoors, use an extension cord suitable for outdoor use.** Use of a cord suitable for outdoor use reduces the risk of electric shock.
- f) **If operating a power tool in a damp location is unavoidable, use a residual current device (RCD) protected supply.** Use of an RCD reduces the risk of electric shock.

3) Personal safety

- a) **Stay alert, watch what you are doing and use common sense when operating a power tool. Do not use a power tool while you are tired or under the influence of drugs, alcohol or medication.** A moment of inattention while operating power tools may result in serious personal injury.
- b) **Use personal protective equipment. Always wear eye protection.** Protective equipment such as dust mask, non-skid safety shoes, hard hat, or hearing protection used for appropriate conditions will reduce personal injuries.

- c) **Prevent unintentional starting. Ensure the switch is in the off-position before connecting to power source and/or battery pack, picking up or carrying the tool.** Carrying power tools with your finger on the switch or energising power tools that have the switch on invites accidents.
- d) **Remove any adjusting key or wrench before turning the power tool on.** A wrench or a key left attached to a rotating part of the power tool may result in personal injury.
- e) **Do not overreach. Keep proper footing and balance at all times.** This enables better control of the power tool in unexpected situations.
- f) **Dress properly. Do not wear loose clothing or jewellery. Keep your hair, clothing and gloves away from moving parts.** Loose clothes, jewellery or long hair can be caught in moving parts.
- g) **If devices are provided for the connection of dust extraction and collection facilities, ensure these are connected and properly used.** Use of dust collection can reduce dust related hazards.
- h) **Do not let familiarity gained from frequent use of tools allow you to become complacent and ignore tool safety principles.** A careless action can cause severe injury within a fraction of a second.
- 4) Power tool use and care**
- a) **Do not force the power tool. Use the correct power tool for your application.** The correct power tool will do the job better and safer at the rate for which it was designed.
- b) **Do not use the power tool if the switch does not turn it on and off.** Any power tool that cannot be controlled with the switch is dangerous and must be repaired.
- c) **Disconnect the plug from the power source and/or the battery pack from the power tool before making any adjustments, changing accessories, or storing power tools.** Such preventive safety measures reduce the risk of starting the power tool accidentally.
- d) **Store idle power tools out of the reach of children and do not allow persons unfamiliar with the power tool or these instructions to operate the power tool.** Power tools are dangerous in the hands of untrained users.
- e) **Maintain power tools. Check for misalignment or binding of moving parts, breakage of parts and any other condition that may affect the power tool's operation. If damaged, have the power tool repaired before use.** Many accidents are caused by poorly maintained power tools.
- f) **Keep cutting tools sharp and clean.** Properly maintained cutting tools with sharp cutting edges are less likely to bind and are easier to control.
- g) **Use the power tool, accessories and tool bits etc. in accordance with these instructions, taking into account the working conditions and the work to be performed.** Use of the power tool for operations different from those intended could result in a hazardous situation.
- h) **Keep handles and grasping surfaces dry, clean and free from oil and grease.** Slippery handles and grasping surfaces do not allow for safe handling and control of the tool in unexpected situations.
- 5) Service**
- a) **Have your power tool serviced by a qualified repair person using only identical replacement parts.** This will ensure that the safety of the power tool is maintained.

ADDITIONAL SAFETY INSTRUCTIONS FOR TILE CUTTER

- Check your power tool for damage before starting your work, particularly the diamond blade. All parts must be fitted properly and must meet all requirements in order to guarantee the tool's smooth operation. Any safety guards or any lightly damaged parts must be checked to see if they still function properly before continuing the use of the tool. Moving parts, and the diamond-blade guard in particular, must be fitted properly and must not jam. Do not use tools that cannot be switched on or off with the switch.
- The diamond-blade guard must not be jammed or removed.
- A jamming guard must be repaired immediately.
- The riving knife must not be removed.

Before you operate the machine:

- Check the following:
 - *Does the voltage rating of the bench grinder correspond to the power supply?*
 - *Are the power cord and plug in good condition (solid, without fraying or other damage)?*
- Use safety goggles.
- Use a dust mask.

Whenever using the machine

- Check that the switch is NOT in the 'ON/1' position before connecting the machine to the power supply.
- Always keep the power cord out of the way from the moving parts of the machine.

Immediately switch off the machine when:

- The plug or power cord is defective or damaged.
- The switch is defective.
- You smell smoke or burning insulation.

Electrical safety

When using electric machines always observe the safety regulations applicable in your country to reduce the risk of fire, electric shock and personal injury. Read the following safety instructions.



Always check that the voltage of the power supply corresponds to the voltage on the rating plate label.



Warning! *An earthed power outlet is required to safely operate this machine. Do not connect the machine to unearthed power outlets.*

Using extension cables

Only use an approved extension cable suitable for the power input of the machine. The minimum conductor size is 1.5 mm². When using a cable reel always unwind the reel completely. Do not use unearthed extension cables.

2. MACHINE INFORMATION

Intended use

This tool is suitable for cutting various wall and floor tiles with a maximum tile size of 500x500x35 mm. The diamond wheel may be replaced by the user. It is not permitted to use the tool for any other materials.

TECHNICAL SPECIFICATIONS

Model no.	TC502AC
Voltage	230V~ / 50Hz
Power rating	300W S1 / 600W S6 15%
Cutting disc no-load speed	2990/min
Max. depth of cut at 90°	34mm

Max. depth of cut at 45°	18mm
Cutting angle	0-45°
Cutting disc diameter	Ø180mm x Ø22.2mm
Cutting disc thickness	2.2mm
Table dimensions	360 x 330mm
IP rating	IP44
L _{PA} (Sound pressure level)	87dB(A), K=3dB(A)
L _{WA} (Sound power level)	100dB(A), K=3dB(A)

DESCRIPTION

The numbers in the text refer to the diagrams on page 2-6.

1. Cutting table
2. Cutting blade
3. Fence
4. Water tray
5. Bevel adjustment knob
6. On/off switch
7. Fence knob
8. Measurement ruler
9. Riving knife screws
10. Riving knife
11. Blade guard
12. Lower blade guard
13. Riving knife plate
14. Inner blade flange
15. Outer blade flange
16. Blade fixing nut
17. Motor axle
18. Machine
19. Small wrench
20. Large wrench
21. Mitre guide
22. Lower guard screws
23. Mounting holes

3. ASSEMBLY

Mounting the riving knife and blade guard (Fig. A, B)

- Unscrew the two screws (9) slightly.
- Place the foot of the riving knife (10) under the screws (and slightly under the table).
- Tighten the screws (9).

Mounting the cutting blade (Fig. A, C)

- Remove the two screws (22) from the lower blade guard (12). Ensure to remove the screws as indicated in figure C1, and not the two (smaller-) screws at the bottom of the lower blade guard.
- Remove the lower blade guard (12).
- Remove the nut (16) by turning it counterclockwise and remove the outer flange (15).
- Place blade (2) on the inner flange (14).
- Place the outer flange (15) on the blade.
- Secure the blade by holding the outer flange (15) with the large wrench (20) and tightening the nut (16) clockwise with the small wrench (19).

Mounting the adjustable fence (Fig. A)

- Connect the knob (7) with the fence (3) by using the plate (1 hole with thread). Do not yet fully tighten the knob.
- Slide the complete fence with (loosely fixed) knobs onto the table; the plates on the inner side of the table.
- Position the fence (3) at the desired distance from the blade (2).
- Tighten the knobs (7) to secure the fence in place.

Mounting the water tray (Fig. A, D)



Always use the water tray (4) and ensure the water level is between the indicated MIN and MAX markings.

It is essential to use the machine with the supplied water tray. It is essential to use the machine with the supplied water tray (4). The water cools the blade, significantly extending its lifespan. Additionally, the water reduces the generation of dust.

- Put the machine on a surface and place the water tray (4) under the lower blade guard (12).
- Ensure that the water tray is placed properly: the edge of the water tray furthest away from you must fit between the lower blade guard (12) and the metal surface on the machine.

Installing the tile cutter (Fig. A, D)

- The tile cutter may only be used as a fixed tool and should be screwed down to a level and horizontal surface. Please use the mounting holes (23) in the base of the machine.

- The electrical supply must be connected to a 230V~ earthed wall socket. The mains voltage must comply with the information on the type plate, and must be protected by a circuit breaker.
- Do not use the power cable to pull the plug from the socket. Protect the cable against heat, oil and sharp objects.



Only use accessories and auxiliary equipment mentioned in the instructions for use or recommended or mentioned by the manufacturer. Using other accessories or auxiliary equipment may carry a risk of injury for you and others.

4. OPERATION

Before starting the cutting job, always ensure there is sufficient water in the water tray. The diamond blade must run through the water. Keep a close eye on the water level during the job, so it doesn't run out unexpectedly. Flush and replace the water after a few cuts, so it doesn't become too contaminated.



(Accidentally) operating the machine without sufficient water may reduce the lifespan of the machine and will quickly dull the blade.



Cutting with a dull blade, without sufficient water, or with very contaminated water may result in rough cuts and/or cracked/chipped tiles. For best results: always make sure that the blade is in good condition and that there is sufficient clean water in the tray.

- Wait until the blade has reached its full rotational speed before starting the cut.
- The diamond blade must NEVER be exposed to sideways pressure. The blade can shatter under sideways pressure and the flying pieces become projectiles!
- Do not attempt to cut extremely small pieces from the tiles. Always make sure that the full surface of the tile is on the work table. The supplied mitre guide can be used to push the tiles through the cutter. In the early stages of cutting in particular, the tile must remain absolutely level to avoid the tile moving up.

- Do not overload your tool. It is better and safer to work within the indicated power range. Do not cut materials other than tiles.
- Maintain your tools carefully. Keep the tools sharp and clean in order to work properly and safely.
- Follow the maintenance instructions and the instructions for replacing the diamond blade.
- Stand safely and maintain your balance. Avoid any unnatural body angles. Remain alert and pay attention to your work. Use common sense. Do not use the machine when you cannot concentrate or when you are tired.
- If the replacement of the supply cord is necessary, this has to be done by the manufacturer or his agent in order to avoid a safety hazard.

- Do not use blades that do not meet the specifications in these instructions.
- Ensure that the diamond blade is secured properly and rotates in the correct direction.

Replacing the diamond blade (Fig. C)



Disconnect the machine from the mains electricity before replacing the blade

- Remove the water tray (4) from the machine.
- Loosen the blade guard's fixing bolts (22) and remove the splash guard (12).
- Loosen the blade fixing nut (16).
- Remove the counter flange (15) and blade (2) and push the new blade on the flange (14). Consider the rotation direction indicated on the blade. Attach the counter flange (15).
- Tighten the fixing nut (16) and mount the splash guard.

Full-length adjustable fence Fig. A, E)

The fence (3) enables you to cut parallel to the cutting blade.

- Loosen the fence knobs (7) and set the required distance.
- Tighten the fence knobs on both sides of the cutting table (1).
- The markers determine the measurements (8).

Mitre guide (Fig. A, F)

Follow the same procedure for a straight/parallel cut but use the mitre guide (21) against the fence (3) for 45-degree cutting of tiles. Ensure that the tile is held firmly into the guide before making the cut.

Bevel angle adjustment (Fig. A, G)

The table surface has a variable setting between 0° and 45° bevel angle.

- Loosen the bevel adjustment knobs (5) on the front- and rearside of the table (1)
- Set the bevel angle by tilting the table (1) up until you have reached the required tilt.
- Tighten the knobs (5) again on both sides of the table.

Inspecting and replacing the diamond blade (Fig. A, C)

- Cracked or distorted diamond blades must be replaced immediately.
- Type of disk: diamond cutting blade with a diameter of 180mm.

5. MAINTENANCE



Before cleaning and maintenance, always switch off the machine and unplug the power cord.

The machines have been designed to operate over a long period of time with a minimum of maintenance. Continuous satisfactory operation depends upon proper machine care and regular cleaning.

Cleaning

Keep the ventilation slots of the machine clean to prevent overheating of the engine. Regularly clean the machine housing with a soft cloth, preferably after each use. Keep the ventilation slots free from dust and dirt. If the dirt does not come off use a soft cloth moistened with soapy water. Never use solvents such as petrol, alcohol, ammonia water, etc. These solvents may damage the plastic parts.

Always clean the tool immediately after use.

- Remove the water tray from the machine and drain the dirty water.
- Unscrew the splash guard and clean it.
- Loosen the star-shaped knob, fold up the table, and polish the entire machine.

Maintenance

The machine complies with all current safety regulations. Repairs may only be carried out by an approved company, because repair attempts by unqualified persons may cause injuries to the user and bystanders. Regularly check the power cable and plug and if they are damaged they should be replaced by an approved company. Also check any extension cables. Damaged safety guards and switches must be replaced before the machine is used again.

ENVIRONMENT



The crossed out wheellie bin symbol means that this product shall not be disposed of with normal household waste. Electronic and Electrical Equipment not included in the selective sorting process are potentially dangerous for the environment and human health due to the presence of hazardous substances. Please dispose of responsibly at an approved waste or recycling facility.

Only for EC countries

Do not dispose of power tools into domestic waste. According to the European Guideline 2012/19/EU for Waste Electrical and Electronic Equipment and its implementation into national right, power tools that are no longer usable must be collected separately and disposed of in an environmentally friendly way.

WARRANTY

VONROC products are developed to the highest quality standards and are guaranteed free of defects in both materials and workmanship for the period lawfully stipulated starting from the date of original purchase. Should the product develop any failure during this period due to defective material and/or workmanship then contact VONROC directly.

The following circumstances are excluded from this guarantee:

- Repairs and or alterations have been made or attempted to the machine by unauthorized service centers;
- Normal wear and tear;
- The tool has been abused, misused or improperly maintained;
- Non-original spare parts have been used.

This constitutes the sole warranty made by company either expressed or implied. There are no other warranties expressed or implied which extend beyond the face hereof, herein, including the implied warranties of merchantability and fitness for a particular purpose. In no event shall VONROC be liable for any incidental or consequential damages. The dealers remedies shall be limited to repair or replacement of nonconforming units or parts.

The product and the user manual are subject to change. Specifications can be changed without further notice.

1. SICHERHEITSHINWEISE

Lesen Sie die beigefügten Sicherheitswarnungen, die zusätzlichen Sicherheitswarnungen und die Anweisungen. Die Nichteinhaltung der Sicherheitswarnungen und der Anweisungen kann in einem Stromschlag, Brand und/oder in schweren Verletzungen resultieren. Bewahren Sie die Sicherheitswarnungen und Anweisungen für künftige Referenzzwecke auf.

Die folgenden Symbole werden im Benutzerhandbuch oder auf dem Produkt verwendet:



Lesen Sie das Benutzerhandbuch.



Bedeutet, dass bei Nichtbeachtung der Anweisungen in dieser Anleitung Verletzungen, Tod oder Beschädigung des Werkzeugs die Folge sein können.



Stromschlagrisiko.



Ziehen Sie sofort den Stecker aus der Steckdose, falls das Kabel beschädigt ist, sowie während der Wartung.



Gehörschutz tragen.



Einen Augenschutz tragen.



Erdungssymbol. Dieses Gerät ist in Schutzklasse I eingestuft und muss an eine geerdete Netzsteckdose angeschlossen werden.



Das Produkt nicht in ungeeigneten Behältern entsorgen.



Das Produkt entspricht den geltenden Sicherheitsstandards.

ALLGEMEINE SICHERHEITSHINWEISE FÜR ELEKTROWERKZEUGE



ACHTUNG! Beachten Sie alle Sicherheitswarnungen und Anweisungen. Die Nichtbeachtung der Warnungen und Anweisungen kann in einem Stromschlag, Brand und/oder in schweren Verletzungen resultieren.

Bewahren Sie die Warnungen und Anweisungen für künftige Referenzzwecke auf.

Der Begriff „Elektrowerkzeug“ in den Warnhinweisen bezieht sich auf Ihr strombetriebenes (kabelgebundenes) Elektrowerkzeug oder akkubetriebenes (kabelloses) Elektrowerkzeug.

1) Sicherheit am Arbeitsplatz

- a) **Halten Sie den Arbeitsbereich sauber und gut beleuchtet.** Unübersichtliche oder dunkle Bereiche führen eher zu Unfällen.
- b) **Betreiben Sie Elektrowerkzeuge nicht in explosionsgefährdeten Bereichen, z. B. bei Vorhandensein von brennbaren Flüssigkeiten, Gasen oder Staub.** Elektrowerkzeuge erzeugen Funken, die den Staub oder die Dämpfe entzünden können.
- c) **Halten Sie Kinder und Umstehende fern, während Sie Elektrogeräte benutzen.** Ablenkungen können zum Verlust der Kontrolle führen.

2) Elektrische Sicherheit

- a) **Die Stecker von Elektrowerkzeugen müssen zur Steckdose passen. Den Stecker niemals modifizieren. Verwenden Sie bei geerdeten Elektrowerkzeugen keine Adapterstecker.** Nicht modifizierte Stecker und passende Steckdosen reduzieren das Stromschlagrisiko.
- b) **Vermeiden Sie Körperkontakt mit geerdeten Oberflächen, wie Rohren, Heizkörpern, Herden und Kühlschränken.** Es besteht ein erhöhtes Stromschlagrisiko, wenn Ihr Körper geerdet ist.
- c) **Setzen Sie Elektrowerkzeuge keinem Regen oder feuchten Bedingungen aus.** Wenn Wasser in ein Elektrowerkzeug eindringt, erhöht sich die Gefahr eines Stromschlags.
- d) **Missbrauchen Sie das Kabel nicht. Verwenden Sie das Kabel niemals zum Tragen, Ziehen oder Herausziehen des Steckers des Elektrowerkzeugs. Halten Sie das Kabel vor Wärme, Öl, spitzen Kanten oder sich bewegenden Teilen fern.** Beschädigte oder verwickelte Kabel erhöhen das Stromschlagrisiko.
- e) **Wenn Sie ein Elektrowerkzeug im Freien betreiben, verwenden Sie ein für den Außeneinsatz geeignetes Verlängerungskabel.** Die Verwendung eines für den Außeneinsatz geeigneten Kabels verringert das Risiko eines Stromschlags.

- f) **Wenn der Betrieb eines Elektrowerkzeugs in einer feuchten Umgebung unvermeidlich ist, verwenden Sie eine durch einen Fehlerstromschutzschalter geschützte Stromversorgung.** Die Verwendung eines Fehlerstromschutzschalters senkt das Stromschlagrisiko.
- 3) **Sicherheit von Personen**
- a) **Bleiben Sie beim Umgang mit einem Elektrowerkzeug aufmerksam, achten Sie auf das, was Sie tun, und benutzen Sie Ihren gesunden Menschenverstand. Benutzen Sie Elektrogeräte nicht, wenn Sie müde sind oder unter dem Einfluss von Drogen, Alkohol oder Medikamenten stehen.** Ein Moment der Unachtsamkeit während des Betriebs eines Elektrowerkzeugs kann zu schwerwiegenden Verletzungen führen.
- b) **Tragen Sie persönliche Schutzausrüstung. Immer eine Schutzbrille tragen.** Schutzausrüstungen wie Staubmaske, rutschfeste Sicherheitsschuhe, Schutzhelm oder Gehörschutz, die unter entsprechenden Bedingungen verwendet werden, verringern die Zahl der Verletzungen.
- c) **Unbeabsichtigtes Starten verhindern. Vergewissern Sie sich, dass der Schalter ausgeschaltet ist, bevor Sie das Gerät an die Stromquelle und/oder den Akku anschließen, es in die Hand nehmen oder tragen.** Das Tragen von Elektrowerkzeugen mit dem Finger auf dem Schalter oder das Einschalten von Elektrowerkzeugen, bei denen der Schalter eingeschaltet ist, lädt zu Unfällen ein.
- d) **Entfernen Sie vor dem Einschalten des Elektrowerkzeugs alle Einstellschlüssel oder Schraubenschlüssel.** Ein Einstellschlüssel oder Schraubenschlüssel, der an einem rotierenden Teil des Elektrowerkzeugs verbleibt, kann zu Verletzungen führen.
- e) **Keine anormale Arbeitshaltung einnehmen. Achten Sie jederzeit auf festen Stand und Ihr Gleichgewicht.** Das ermöglicht eine bessere Kontrolle des Elektrowerkzeugs in unerwarteten Situationen.
- f) **Angemessene Kleidung tragen. Keine locker sitzende Kleidung oder Schmuck tragen. Haare, Kleidung und Handschuhe von beweglichen Teilen fernhalten.** Locker sitzende Kleidung, Schmuck oder lange Haare können sich in beweglichen Teilen verfangen.
- g) **Wenn Anschlüsse für Vorrichtungen zum Absaugen und Sammeln von Staub vorhanden sind, stellen Sie sicher, dass diese angebracht und ordnungsgemäß verwendet werden.** Die Verwendung einer Staubabsaugvorrichtung kann staubbedingte Gefahren verringern.
- h) **Achten Sie darauf, nicht durch häufigen Gebrauch von Werkzeugen nachlässig zu werden und die Prinzipien zum sicheren Umgang mit den Werkzeugen zu ignorieren.** Eine unachtsame Handlung kann innerhalb von Sekundenbruchteilen schwere Verletzungen verursachen.
- 4) **Verwendung und Pflege von Elektrowerkzeugen**
- a) **Wenden Sie keine übermäßige Kraft auf das Elektrowerkzeug an. Verwenden Sie das richtige Elektrowerkzeug für Ihre Anwendung.** Das richtige Elektrowerkzeug erledigt die Arbeit besser und sicherer mit der Geschwindigkeit, für die es konzipiert wurde.
- b) **Verwenden Sie das Elektrowerkzeug nicht, wenn es nicht am Schalter ein- und ausgeschaltet werden kann.** Jedes Elektrowerkzeug, das nicht mit dem Schalter gesteuert werden kann, stellt eine Gefahr dar und muss repariert werden.
- c) **Ziehen Sie den Stecker aus der Steckdose bzw. trennen Sie den Akku vom Elektrowerkzeug, bevor Sie irgendwelche Einstellungen vornehmen, Zubehörteile austauschen oder Elektrowerkzeuge aufbewahren.** Diese vorbeugenden Sicherheitsmaßnahmen verringern das Risiko einer unbeabsichtigten Inbetriebnahme des Elektrowerkzeugs.
- d) **Bewahren Sie ungenutzte Elektrowerkzeuge außerhalb der Reichweite von Kindern auf und erlauben Sie Personen, die mit dem Elektrowerkzeug oder dieser Anleitung nicht vertraut sind, nicht, das Elektrowerkzeug zu bedienen.** Elektrowerkzeuge stellen in den Händen von ungeschulten Benutzern eine Gefahr dar.
- e) **Pflegen Sie Elektrowerkzeuge. Prüfen Sie auf Fehlausrichtung oder Blockierung beweglicher Teile, Brüche von Teilen sowie auf alle anderen Bedingungen, die den Betrieb des Elektrowerkzeugs beeinträchtigen können. Bei einer Beschädigung lassen Sie das Elektrowerkzeug vor dem weiteren Gebrauch reparieren.** Viele Unfälle werden durch schlecht gepflegte Elektrowerkzeuge verursacht.
- f) **Halten Sie die Schneidwerkzeuge scharf und sauber.** Ordnungsgemäß gewartete

Schneidwerkzeuge mit scharfen Schneidkanten verklemmen sich seltener und sind leichter zu kontrollieren.

- g) **Verwenden Sie das Elektrowerkzeug, das Zubehör und die Bits usw. gemäß dieser Anleitung und unter Berücksichtigung der Bedingungen und der vorgesehenen Arbeiten.**

Die Verwendung des Elektrowerkzeugs für andere als die vorgesehenen Tätigkeiten kann zu einer gefährlichen Situation führen.

- h) **Halten Sie Griffe und Greifflächen immer trocken, sauber und frei von Öl und Fett.**
Rutschige Griffe und Greifflächen verhindern in unerwarteten Situationen den sicheren Umgang mit dem Werkzeug und die richtige Kontrolle darüber.

5) Wartung

- a) **Lassen Sie Ihr Elektrowerkzeug von einer qualifizierten Fachwerkstatt warten, die nur identische Ersatzteile verwendet.** So wird sichergestellt, dass die Sicherheit des Elektrowerkzeugs gewahrt bleibt.

ZUSÄTZLICHE SICHERHEITSANWEISUNGEN FÜR FLIESENSCHNEIDER

- Überprüfen Sie das Elektrowerkzeug vor Arbeitsbeginn auf Beschädigungen, insbesondere die Diamantscheibe. Alle Teile müssen korrekt angebracht sein und alle Anforderungen erfüllen, um einen reibungslosen Betrieb des Werkzeugs sicherzustellen. Alle Schutzvorrichtungen und alle leicht beschädigten Teile müssen dahingehend überprüft werden, ob sie noch ordnungsgemäß funktionieren, bevor das Werkzeug weiter verwendet wird. Bewegliche Teile, insbesondere der Diamantscheibenschutz, müssen ordnungsgemäß montiert sein und dürfen sich nicht verklemmen. Keine Werkzeuge verwenden, die nicht mit dem Schalter ein- oder ausgeschaltet werden können.
- Der Diamantscheibenschutz darf sich nicht verklemmen und nicht entfernt werden.
- Ein festklemmender Schutz muss sofort repariert werden.
- Das Spaltmesser darf nicht entfernt werden.

Vor der Inbetriebnahme der Maschine:

- Überprüfen Sie Folgendes:

- Stimmt die Spannungsangabe der Schleifmaschine mit der des Netzteils überein?
- Sind das Stromkabel und der Stecker in gutem Zustand (solide, ohne Ausfransungen oder andere Schäden)?
- Immer eine Schutzbrille tragen.
- Immer eine Staubmaske tragen.

Bei jeder Verwendung der Maschine

- Stellen Sie sicher, dass der Schalter NICHT in der Stellung 'ON/1' steht, bevor Sie die Maschine mit der Steckdose verbinden.
- Halten Sie das Stromkabel immer von den beweglichen Teilen des Geräts fern.

Schalten Sie die Maschine in folgenden Fällen sofort aus:

- Der Stecker oder das Stromkabel ist defekt oder beschädigt.
- Der Schalter ist defekt.
- Man riecht Rauch oder brennende Isolierung.

Elektrische Sicherheit

Beachten Sie beim Einsatz elektrischer Geräte immer die in Ihrem Land geltenden Sicherheitsvorschriften, um die Gefahr von Bränden, Stromschlägen und Verletzungen zu vermeiden. Lesen Sie die folgenden Sicherheitshinweise.



Immer prüfen, dass die Spannung der Stromversorgung der Spannung auf dem Typenschild entspricht.



Warnung! Für den sicheren Betrieb dieses Geräts ist eine geerdete Steckdose erforderlich. Schließen Sie das Gerät nicht an ungeerdete Steckdosen an.

Verwendung von Verlängerungskabeln

Nur ein zugelassenes Verlängerungskabel verwenden, das für die Eingangsleistung der Maschine geeignet ist. Der minimale Leiterquerschnitt beträgt 1,5 mm². Bei Verwendung einer Kabeltrommel die Trommel immer vollständig abwickeln. Verwenden Sie keine ungeerdeten Verlängerungskabel.

2. GERÄTEDATEN

Verwendungszweck

Dieses Werkzeug eignet sich zum Schneiden verschiedener Wand- und Bodenfliesen mit einer maximalen Fliesengröße von 500x500x35 mm. Die Diamantscheibe kann vom Benutzer selbst ausgetauscht werden. Das Werkzeug darf nicht für andere Materialien verwendet werden.

TECHNISCHE DATEN

Modellnr.	TC502AC
Spannung	230V~ / 50Hz
Nennleistung	300W S1 / 600W S6 15%
Trennscheibe Leerlaufdrehzahl	2990 U/min
Max. Schnitttiefe bei 90°	34 mm
Max. Schnitttiefe bei 45°	18 mm
Schneidwinkel	0-45°
Trennscheibendurchmesser	Ø180 mm x Ø22,2 mm
Trennscheibendicke	2,2 mm
Abmessungen des Tisches	360 x 330 mm
IP-Schutzklasse	IP44
L _{PA} (Schalldruckpegel)	87 dB(A), K=3dB(A)
L _{WA} (Schallleistungspegel)	100 dB(A), K=3dB(A)

BESCHREIBUNG

Die Zahlen im Text beziehen sich auf die Abbildungen auf den Seiten 2-6.

1. Schneidetisch
2. Schneidscheibe
3. Anschlag
4. Wasserschale
5. Gehrungseinstellknopf
6. Ein-/Ausshalter
7. Anschlagknopf
8. Messlineal
9. Spaltnesserschrauben
10. Spaltnmesser
11. Scheibenschutz
12. Unterer Scheibenschutz
13. Spaltnmesserplatte
14. Innerer Scheibenflansch
15. Äußerer Scheibenflansch

16. Scheibenbefestigungsmutter
17. Motorachse
18. Gerät
19. Kleiner Schraubenschlüssel
20. Großer Schraubenschlüssel
21. Gehrungsführung
22. Untere Abdeckungsschrauben
23. Montagelöcher

3. MONTAGE

Montage von Spaltnmesser und Scheibenschutz (Abb. A, B)

- Lösen Sie die beiden Schrauben (9) etwas.
- Stecken Sie den Fuß des Spaltnmessers (10) unter die Schrauben (und ein Stück unter den Tisch).
- Ziehen Sie die Schrauben (9) fest.

Montage der Schneidscheibe (Abb. A, C)

- Entfernen Sie die beiden Schrauben (22) vom unteren Scheibenschutz (12). Achten Sie darauf, die in Abbildung C1 gezeigten Schrauben zu entfernen und nicht die beiden (kleineren) Schrauben an der Unterseite des unteren Scheibenschutzes.
- Nehmen Sie den unteren Scheibenschutz (12) ab.
- Entfernen Sie die Mutter (16) durch Drehen gegen den Uhrzeigersinn und nehmen Sie dann den Außenflansch (15) ab.
- Setzen Sie die Scheibe (2) auf den Innenflansch (14).
- Setzen Sie den Außenflansch (15) auf die Scheibe.
- Sichern Sie die Scheibe, indem Sie den Außenflansch (15) mit dem großen Schraubenschlüssel (20) festhalten und die Mutter (16) mit dem kleinen Schraubenschlüssel (19) im Uhrzeigersinn anziehen.

Montage des verstellbaren Anschlags (Abb. A)

- Verbinden Sie mithilfe der Platte (1 Loch mit Gewinde) den Knopf (7) mit dem Anschlag (3). Ziehen Sie den Knopf aber noch nicht ganz fest.
- Schieben Sie den kompletten Anschlag mit dem (lose befestigten) Knopf so auf den Tisch, dass die Platten zur Innenseite des Tisches zeigen.
- Positionieren Sie den Anschlag (3) im gewünschten Abstand zur Scheibe (2).
- Ziehen Sie die Knöpfe (7) wieder fest, um den Anschlag zu sichern.

Montage der Wasserschale (Abb. A, D)

Verwenden Sie immer die Wasserschale (4) und achten Sie darauf, dass der Wasserstand zwischen den MIN- und MAX-Markierungen liegt.

Verwenden Sie das Gerät ausschließlich mit der mitgelieferten Wasserschale. Verwenden Sie das Gerät ausschließlich mit der mitgelieferten Wasserschale (4). Das Wasser kühlt die Scheibe, was ihre Lebensdauer erheblich verlängert. Außerdem verringert das Wasser die Staubeentwicklung.

- Stellen Sie das Gerät auf eine ebene Fläche und platzieren Sie die Wasserschale (4) unter dem unteren Scheibenschutz (12).
- Vergewissern Sie sich, dass die Wasserschale richtig platziert ist: Die Kante der Wasserschale, die am weitesten von Ihnen entfernt ist, muss zwischen dem unteren Scheibenschutz (12) und der Metallfläche des Geräts liegen.

Aufstellung des Fliesenschneiders (Abb. A, D)

- Der Fliesenschneider darf nur als festes Werkzeug verwendet werden und sollte auf einer ebenen und horizontalen Fläche festgeschraubt werden. Verwenden Sie dazu die Befestigungslöcher (23) im Sockel des Geräts.
- Der Netzstecker muss in eine geerdete 230V-Steckdose gesteckt werden. Die Netzspannung muss mit den Angaben auf dem Typenschild übereinstimmen und durch einen Schutzschalter abgesichert sein.
- Ziehen Sie den Stecker nicht am Netzkabel aus der Steckdose. Schützen Sie das Kabel vor Hitze, Öl und scharfen Gegenständen.



Verwenden Sie nur Zubehörteile und Zusatzgeräte, die in der Gebrauchsanweisung genannt oder vom Hersteller empfohlen oder genannt werden. Die Verwendung anderer Zubehörteile oder Zusatzgeräte kann für Sie und andere Personen eine Verletzungsgefahr darstellen.

4. BETRIEB

Vergewissern Sie sich vor dem Schneiden immer, dass genügend Wasser in der Wasserschale ist. Die Diamantscheibe muss durch das Wasser laufen.

Behalten Sie den Wasserstand während der Arbeit genau im Auge, damit die Wasserschale nicht unerwartet leer wird. Spülen Sie die Wasserschale und ersetzen Sie das Wasser nach einigen Schnitten, damit es nicht zu sehr verunreinigt wird.



Ein (versehentlicher) Betrieb der Maschine ohne ausreichend Wasser kann die Lebensdauer der Maschine verkürzen und die Scheibe schnell stumpf werden lassen.



Das Schneiden mit einer stumpfen Scheibe ohne ausreichend Wasser oder mit stark verunreinigtem Wasser kann zu groben Schnitten bzw. zu gerissenen oder gesplitterten Fliesen führen. Für beste Ergebnisse sollten Sie sich immer vergewissern, dass die Scheibe in gutem Zustand ist und dass sich ausreichend sauberes Wasser in der Schale befindet.

- Warten Sie, bis die Scheibe ihre vollständige Drehgeschwindigkeit erreicht hat, bevor Sie mit dem Schnitt beginnen.
- Die Diamantscheibe darf NIEMALS seitlichem Druck ausgesetzt werden. Die Scheibe kann unter seitlichem Druck zerbrechen, woraufhin die umherfliegenden Teile zu gefährlichen Geschossen werden!
- Nicht versuchen, von Fliesen extrem kleine Stücke abzuschneiden. Immer sicherstellen, dass die gesamte Oberfläche der Fliese auf dem Arbeitstisch liegt. Mit der mitgelieferten Gehrungsführung können die Fliesen durch den Fliesenschneider geschoben werden. Insbesondere zu Beginn des Schneidens muss die Fliese absolut eben bleiben, damit sie sich nicht nach oben bewegen kann.
- Werkzeug nicht überlasten. Es ist besser und sicherer, innerhalb des angegebenen Leistungsbereichs zu arbeiten. Keine anderen Materialien als Fliesen schneiden.
- Werkzeuge sorgfältig pflegen. Werkzeuge scharf und sauber halten, um genaues und sicheres Arbeiten zu ermöglichen.
- Wartungsanweisungen und Hinweise zum Ersetzen der Diamantscheibe befolgen.
- Auf sicheren Stand und Gleichgewicht achten. Unnatürliche Körperhaltungen vermeiden. Stets wachsam sein und auf die Arbeit achten. Gesunden Menschenverstand anwenden. Das

Gerät nicht verwenden, wenn Sie sich nicht konzentrieren können oder wenn Sie müde sind.

- Wenn der Austausch des Stromkabels erforderlich ist, hat dies durch den Hersteller oder dessen Agenten zu erfolgen, um eine Sicherheitsgefahr zu vermeiden.

Durchgehender verstellbarer Anschlag (Abb. A, E)

Mit dem Anschlag (3) können Sie parallel zur Schneidscheibe schneiden.

- Lösen Sie den Anschlagknopf (7) und stellen Sie den gewünschten Abstand ein.
- Ziehen Sie die Anschlagknöpfe an beiden Seiten des Schneidetisches (1) fest.
- Die Markierungen helfen beim Messen (8).

Gehungsführung (Abb. A, F)

Gehen Sie für einen geraden/parallelen Schnitt genauso vor, verwenden Sie jedoch für einen 45-Grad-Schnitt der Fliesen die Gehungsführung (21) gegen den Anschlag (3). Vergewissern Sie sich vor dem Schnitt, dass die Fliese fest in der Führung sitzt.

Einstellung des Gehungswinkels (Abb. A, G)

Die Tischfläche ist variabel auf einen Gehungswinkel zwischen 0° und 45° einstellbar.

- Lösen Sie die Gehungseinstellknöpfe (5) an der Vorder- und Rückseite des Tisches (1).
- Stellen Sie den Gehungswinkel ein, indem Sie den Tisch (1) nach oben kippen, bis Sie die gewünschte Neigung erreicht haben.
- Ziehen Sie die Knöpfe (5) an beiden Seiten des Tisches wieder fest.

Überprüfen und Wechseln der Diamantscheibe (Abb. A, C)

- Zerbrochene oder verzogene Diamantscheiben müssen sofort ersetzt werden.
- Scheibentyp: Diamantscheibe mit einem Durchmesser von 180 mm.
- Keine Scheiben verwenden, die nicht den Spezifikationen in dieser Anleitung entsprechen.
- Sicherstellen, dass die Diamantscheibe richtig befestigt ist und sich in die richtige Richtung dreht.

Wechseln der Diamantscheibe (Abb. C)



Trennen Sie das Gerät vom Stromnetz, bevor Sie die Scheibe austauschen.

- Nehmen Sie die Wasserschale (4) vom Gerät ab.
- Lösen Sie die Befestigungsschrauben des Scheibenschutzes (22) und entfernen Sie den Spritzschutz (12).
- Lösen Sie die Scheibenbefestigungsmutter (16).
- Entfernen Sie den Gegenflansch (15) und die Scheibe (2) und schieben Sie die neue Scheibe auf den Flansch (14). Beachten Sie dabei die auf der Scheibe angegebene Drehrichtung. Bringen Sie den Gegenflansch (15) an.
- Ziehen Sie die Befestigungsmutter (16) an und montieren Sie den Spritzschutz.

5. WARTUNG



Schalten Sie das Gerät vor der Reinigung und Wartung immer aus und ziehen Sie den Netzstecker.

Die Maschinen sind darauf ausgelegt, über einen langen Zeitraum mit einem Minimum an Wartung betrieben zu werden. Ein fortwährend zufriedenstellender Betrieb hängt von einer ordnungsgemäße Maschinenpflege und regelmäßiger Reinigung ab.

Reinigung

Halten Sie die Lüftungsschlitze des Geräts sauber, um eine Überhitzung des Motors zu verhindern. Das Maschinengehäuse regelmäßig mit einem weichen Tuch reinigen, vorzugsweise nach jedem Gebrauch. Die Lüftungsschlitze frei von Staub und Schmutz halten. Wenn sich der Schmutz nicht löst, ein weiches Tuch, befeuchtet mit Seifenwasser verwenden. Niemals Lösungsmittel, wie Benzin, Alkohol, Ammoniakwasser usw. verwenden. Diese Substanzen können die Kunststoffteile beschädigen.

Reinigen Sie das Gerät immer sofort nach Gebrauch.

- Nehmen Sie die Wasserschale aus der Maschine und lassen Sie das Schmutzwasser ab.
- Schrauben Sie den Spritzschutz ab und reinigen Sie ihn.
- Lösen Sie den sternförmigen Knopf, klappen Sie den Tisch hoch und polieren Sie die gesamte Maschine.

Wartung

Die Maschine entspricht allen geltenden Sicherheitsvorschriften. Reparaturen dürfen nur von einer zugelassenen Firma durchgeführt werden, da Reparaturversuche durch unqualifizierte Personen zu Verletzungen des Benutzers und umstehender Personen führen können. Überprüfen Sie regelmäßig das Netzkabel und den Stecker und lassen Sie sie bei Beschädigung von einer zugelassenen Firma austauschen. Überprüfen Sie auch eventuelle Verlängerungskabel. Beschädigte Schutzvorrichtungen und Schalter müssen ersetzt werden, bevor die Maschine wieder benutzt wird.

UMWELT



Das Symbol mit der durchgestrichenen Mülltonne bedeutet, dass dieses Produkt nicht im normalen Hausmüll entsorgt werden darf. Elektronische und elektrische Geräte enthalten gefährliche Substanzen und stellen daher bei unsachgemäßem Entsorgung eine potenzielle Gefährdung für die Umwelt und die menschliche Gesundheit dar. Entsorgen Sie sie daher verantwortungsbewusst bei einem zugelassenen Entsorgungs- oder Recyclingbetrieb.

Nur für EU-Länder

Entsorgen Sie Elektrowerkzeuge nicht im Hausmüll. Nach der europäischen Richtlinie 2012/19/EU über Elektro- und Elektronik-Altgeräte und ihrer Umsetzung in nationales Recht müssen Elektrowerkzeuge, die nicht mehr verwendet werden sollen, getrennt gesammelt und auf umweltgerechte Weise entsorgt werden.

GARANTIE

VONROC-Produkte werden nach den höchsten Qualitätsstandards entwickelt und sind für den gesetzlich festgelegten Zeitraum ab dem Datum des ursprünglichen Kaufs garantiert frei von Material- und Verarbeitungsfehlern. Sollte das Produkt während dieses Zeitraums aufgrund von Material- und/oder Verarbeitungsfehlern ausfallen, wenden Sie sich bitte direkt an VONROC.

Folgende Umstände sind aus der Garantie ausgeschlossen:

- An der Maschine wurden von nicht autorisierten Servicestellen Reparaturen und/oder Änderungen vorgenommen oder versucht;
- Normaler Verschleiß;
- Das Gerät wurde missbräuchlich oder falsch verwendet oder unsachgemäß gewartet;
- Es wurden keine Originalersatzteile verwendet.

Dies ist die einzige ausdrückliche oder stillschweigende Garantie, die das Unternehmen übernimmt. Es gibt keine weiteren ausdrücklichen oder stillschweigenden Garantien, die über die hierin enthaltenen Angaben hinausgehen, einschließlich der stillschweigenden Garantien der Gebrauchstauglichkeit und Eignung für einen bestimmten Zweck. VONROC haftet in keinem Fall für zufällige Schäden oder Folgeschäden. Die Rechtsmittel des Händlers beschränken sich auf die Reparatur oder den Austausch der nicht konformen Geräte oder Teile.

Das Produkt und die Bedienungsanleitung können Änderungen unterliegen. Technische Daten können ohne vorherige Ankündigung geändert werden.

1. VEILIGHEIDSINSTRUCTIES

Lees de bijgesloten veiligheidswaarschuwingen, de aanvullende veiligheidswaarschuwingen en de instructies. Geeft u geen gevolg aan de veiligheidswaarschuwingen en de instructies dan kan dat een elektrische schok, brand en/of ernstig letsel tot gevolg hebben. Bewaar de veiligheidswaarschuwingen en de instructies zodat u ze later ook nog kunt raadplegen.

De volgende symbolen worden gebruikt in de gebruiksaanwijzing of op het product:



Lees de gebruiksaanwijzing.



Duidt op risico op persoonlijk letsel, gevaar van een ongeluk met dodelijke afloop of beschadiging van het gereedschap als de instructies in deze handleiding niet worden opgevolgd.



Risico op een elektrische schok.



Als het snoer beschadigd raakt en tijdens onderhoud, moet u onmiddellijk de stekker uit het stopcontact trekken.



Draag gehoorbescherming.



Draag oogbescherming.



Aardingssymbool. Dit apparaat is geclassificeerd als beschermingsklasse I en moet op een geaard stopcontact worden aangesloten.



Gooi het product niet weg in containers die daarvoor niet geschikt zijn.



Het product is conform de geldende veiligheidsnormen

ALGEMENE VEILIGHEIDSWAARSCHUWINGEN VOOR ELEKTRISCH GEREEDSCHAP



WAARSCHUWING! Lees alle veiligheidswaarschuwingen en alle instructies. Geeft u geen gevolg aan de waarschuwingen en de instructies, dan kan dat een elektrische schok, brand en/of ernstig letsel tot gevolg hebben.

Bewaar alle waarschuwingen en instructies zodat u ze later ook nog kunt raadplegen.

De term 'elektrisch gereedschap' in de waarschuwingen verwijst naar het elektrische gereedschap (met snoer) dat via uw netvoeding wordt gebruikt of naar (draadloos) elektrisch gereedschap dat door een accu wordt aangedreven.

1) Veiligheid in de werkgebied

- a) **Houd het werkgebied goed schoon en goed verlicht.** Op rommelige of donkere werkplekken zullen gemakkelijk ongelukken gebeuren.
- b) **Gebruik geen elektrische gereedschappen in explosieve situaties, zoals in de nabijheid van ontvlambare vloeistoffen, gasen of stof.** Elektrische gereedschappen maken vonken die het stof of de gasen kunnen ontsteken.
- c) **Houd kinderen en omstanders uit de buurt terwijl u het elektrische gereedschap gebruikt.** Door afleidingen kunt u de controle verliezen.

2) Elektriciteit - Veiligheid

- a) **Stekkers van elektrisch gereedschap moeten bij de stopcontacten passen. Breng nooit op welke manier dan ook veranderingen in de stekker aan. Gebruik nooit adapterstekkers met (geaard) elektrisch gereedschap.** Originele stekkers en passende stopcontacten verminderen het risico op een elektrische schok.
- b) **Voorkom lichamelijk contact met geaarde oppervlakken, zoals leidingen, radiatoren, fornuizen en koelkasten.** Er is sprake van een verhoogd risico op een elektrische schok als uw lichaam geaard is.
- c) **Stel elektrische gereedschappen niet bloot aan regen of natte omstandigheden.** Als water in het elektrisch gereedschap binnendringt, verhoogt dit de kans op een elektrische schok.
- d) **Het snoer niet oneigenlijk gebruiken. Gebruik het snoer nooit om het elektrische gereedschap te dragen of mee te slepen, of om de stekker uit het stopcontact te trekken. Houd het snoer weg bij hete voorwerpen, olie, scherpe randen en/of bewegende onderdelen.** Beschadigde of in de war geraakte snoeren vergroten het risico van een elektrische schok.
- e) **Als u elektrisch gereedschap buitenshuis gebruikt, dient u altijd een verlengsnoer te gebruiken dat geschikt is voor buitenshuis**

- gebruik.** Het gebruik van een snoer dat geschikt is voor buitenshuis gebruik, zal het risico op een elektrische schok verminderen.
- f) **Als het gebruik van elektrisch gereedschap in een vochtige ruimte niet kan worden voorkomen, gebruik dan een altijd een aardlekschakelaar (RCD).** Het gebruik van een aardlekschakelaar zal het risico op een elektrische schok verminderen.
- 3) Persoonlijke veiligheid**
- a) **Let altijd op en kijk goed uit wat u doet en gebruik uw verstand tijdens het werken met elektrisch gereedschap. Bedien het product niet wanneer u moe of onder invloed van alcohol of drugs bent.** Een ogenblik van onoplettendheid tijdens het werken met elektrische gereedschap kan ernstig persoonlijk letsel tot gevolg hebben.
- b) **Gebruik persoonlijke beschermingsmiddelen. Draag altijd oogbescherming.** Beschermingsmiddelen zoals een stofmasker, antislip-veiligheidsschoenen, helm, of gehoorbescherming die voor de juiste omstandigheden worden gebruikt, zullen het risico op persoonlijk letsel verminderen.
- c) **Voorkom het onbedoeld starten. Controleer of de schakelaar in de stand Uit staat, voordat het gereedschap op de voeding of accu wordt aangesloten, wordt opgepakt of gedragen.** Het dragen van elektrische gereedschap met de vinger op de schakelaar, of het inschakelen van elektrisch gereedschap met de schakelaar in de stand Aan, vraagt om ongelukken.
- d) **Verwijder stelsleutels of steeksleutels voordat u het elektrisch gereedschap inschakelt.** Een moersleutel of andere sleutel die op een draaiend deel van het elektrisch gereedschap blijft zitten, kan persoonlijk letsel tot gevolg hebben.
- e) **Reik niet buiten uw macht. Blijf altijd stevig en in evenwicht staan.** Hierdoor hebt u in onverwachte situaties een betere controle over het elektrische gereedschap.
- f) **Draag geschikte kleding. Draag geen losse kleding of sieraden. Houd uw haar, kleding en handschoenen weg bij bewegende onderdelen.** Loszittende kleding, sieraden of lang haar kunnen door bewegende delen worden gegrepen.
- g) **Als het apparaat wordt geleverd met een aansluiting voor het afzuigen en verzamelen van stof, zorg er dan voor dat deze correct worden aangesloten en gebruikt.** Het gebruik van het afzuigen en verzamelen van stof, kan de aan stof gerelateerde gevaren verminderen.
- h) **Denk niet dat u wel weet hoe het allemaal werkt, omdat u het gereedschap vaak gebruikt en dat u de veiligheidsbeginselen voor het gebruik van het gereedschap wel kunt negeren.** Een onbezonnen actie kan in een fractie van een seconde ernstig letsel tot gevolg hebben.
- 4) Gebruik en onderhoud van elektrisch gereedschap**
- a) **Forceer het elektrisch gereedschap niet. Gebruik het juiste elektrisch gereedschap voor uw werkzaamheden.** Het juiste elektrisch gereedschap klaart de klus beter en veiliger als deze hiervoor is ontworpen.
- b) **Gebruik het elektrisch gereedschap niet als de schakelaar het apparaat niet in- en uitschakelt.** Elk elektrisch gereedschap dat niet met de schakelaar kan worden bediend is gevaarlijk en moet worden gerepareerd.
- c) **Neem de stekker van het elektrische gereedschap uit het stopcontact en/of verwijder de accu voordat enige aanpassingen worden uitgevoerd, accessoires worden vervangen of elektrisch gereedschap wordt opgeborgen.** Dergelijke preventieve veiligheidsmaatregelen verminderen het risico op het onbedoeld starten van het elektrische gereedschap.
- d) **Berg ongebruikt elektrisch gereedschap buiten bereik van kinderen op en sta niet toe dat mensen die onbekend zijn met het elektrische gereedschap of deze instructies, met het elektrische gereedschap werken.** Elektrische gereedschap kan erg gevaarlijk zijn in de handen van niet opgeleide gebruikers.
- e) **Onderhoud van elektrisch gereedschap. Controleer op scheve of klemmende bewegende onderdelen, kapotte onderdelen en enige andere omstandigheden die de werking van het elektrische gereedschap kunnen beïnvloeden. Als het elektrisch gereedschap een beschadiging of storing heeft, dient u het eerst te laten repareren.** Veel ongelukken worden veroorzaakt door slecht onderhouden elektrisch gereedschap.
- f) **Zorg ervoor dat snij- of zaaggereedschap scherp en schoon blijft.** Op de juiste manier onderhouden snij- of zaaggereedschap met

scherpe snijranden hebben minder de neiging om beklemd te raken en zijn gemakkelijker te sturen.

- g) **Gebruik het elektrische gereedschap, de accessoires, boren, enz. volgens deze instructies, rekening houdend met de werkomstandigheden en de uit te voeren werkzaamheden.** Gebruik van het elektrisch gereedschap voor andere werkzaamheden dan het bedoelde gebruik, kan een gevaarlijke situatie tot gevolg hebben.
- h) **Houd handgrepen en greepoppervlakken droog, schoon en vrij van olie en vet.** Gladde handgrepen en greepoppervlakken maken veilig werken en controle over het gereedschap in onverwachte situaties onmogelijk.

5) Onderhoud

- a) **Laat uw elektrisch gereedschap onderhouden door een gekwalificeerde reparateur die uitsluitend identieke vervangende onderdelen gebruikt.** Dit waarborgt dat de veiligheid van het elektrisch gereedschap behouden blijft.

AANVULLENDE VEILIGHEIDSLINSTRUCTIES VOOR DE TEGELSNIJDER

- Controleer uw elektrisch gereedschap op beschadigingen voordat u met uw werkzaamheden begint, in het bijzonder de diamantschijf. Alle onderdelen moet goed passen en voldoen aan alle vereisten omdat anders de goede werking van het gereedschap niet gegarandeerd is. Controleer alle veiligheidsvoorzieningen en onderdelen die licht beschadigd zijn, en kijk of ze wel goed functioneren, voor u uw werkzaamheden met het gereedschap voortzet. Bewegende onderdelen en vooral de beschermkap van het diamantblad moeten goed zijn gemonteerd en mogen niet aanlopen. Gebruik geen gereedschap dat niet in- en uitgeschakeld kan worden met de schakelaar.
- De beschermkap van de diamantschijf mag niet geblokkeerd of verwijderd worden.
- Een beschermkap die blokkeert, moet onmiddellijk worden vervangen.
- Het spouwmes mag niet verwijderd worden.

Voordat u de machine gebruikt:

- Controleer volgende zaken:

- *Komt de spanningsklasse van de bankslijpmachine overeen met de voeding?*
- *Zijn het netsnoer en de stekker in goede staat (stevig, zonder rafels of andere schade)?*
- Draag een veiligheidsbril.
- Draag een stofmasker.

Tijdens gebruik van de machine

- Controleer dat de schakelaar NIET in de stand 'AA/1' staat voordat u de machine aansluit op de voeding.
- Houd het netsnoer altijd uit de buurt van de bewegende onderdelen van de machine.

Schakel de machine onmiddellijk uit als:

- De stekker of het netsnoer defect of beschadigd is.
- De schakelaar defect is.
- U rook of brandende isolatie opmerkt.

Elektrische veiligheid

Volg tijdens het gebruiken van elektrische apparaten altijd de in uw land geldende veiligheidsregelgeving om het risico op brand, een elektrische schok en persoonlijk letsel te verminderen. Lees de volgende veiligheidsinstructies.



Controleer altijd of de voedingsspanning overeenstemt met de spanning die wordt vermeld op het typeplaatje.



Waarschuwing! Een geaard stopcontact is vereist om deze machine veilig te kunnen gebruiken. Sluit de machine niet aan op niet geaarde verlengkabels.

Verlengsnoeren gebruiken

Gebruik uitsluitend een goedgekeurd verlengsnoer dat geschikt is voor het opgenomen vermogen van het apparaat. De minimumafmeting van de geleider is 1,5 mm². Wanneer u een snoerhaspel gebruikt, rol de haspel dan volledig af. Gebruik geen niet geaarde verlengkabels.

2. INFORMATIE OVER HET APPARAAT

Bedoeld gebruik

Dit gereedschap is geschikt voor het snijden van verschillende muur- en vloertegels met afmetingen van 500x500x35 mm. De diamantschijf kan door

de gebruiker vervangen worden. Gebruik het gereedschap niet voor andere materialen.

TECHNISCHE SPECIFICATIES

Modelnr.	TC502AC
Spanning	230 V~ / 50 Hz
Vermogensklasse	300 W S1/ 600 W S6 15%
Toerental bij onbelaste slijpschijf	2990 / min
Max. zaagdiepte bij 90°	34 mm
Max. zaagdiepte bij 45°	18 mm
Zagen onder een hoek	0-45°
Diameter slijpschijf	Ø180 mm x Ø22,2 mm
Dikte slijpschijf	2,2 mm
Afmetingen van de tafel	360 x 330 mm
IP-klasse	IP44
L _{PA} (geluidsdrukniveau)	87 dB(A), K=3 dB(A)
L _{WA} (Geluidsvermogensniveau)	100 dB(A), K=3 dB(A)

BESCHRIJVING

De nummers in deze tekst verwijzen naar de diagrammen op pagina 2-6.

1. Zaagtafel
2. Maaiblad
3. Langsgeleiding
4. Waterlade
5. Instelknop hoek
6. Aan/uit-schakelaar
7. Knop langsgeleiding
8. Meetregel
9. Schroeven spouwmes
10. Spouwmes
11. Snijmesbeschermer
12. Onderste zaagbladbeschermer
13. Plaat spouwmes
14. Flens binnenblad
15. Flens buitenblad
16. Bevestigingsmoer schijf
17. Motoras
18. Gereedschap
19. Kleine moersleutel
20. Grote moersleutel
21. Verstekgeleider

22. Schroeven onderste beschermer
23. Montagegaten

3. MONTAGE

Het spouwmes en de schijfbeschermer monteren (Afb. A, B)

- Zet de twee schroeven (9) lichtjes los.
- Plaats de voeten van het spouwmes (10) onder de schroeven (en iets onder de tafel).
- Draai de schroeven (9) vast.

Het zaagblad monteren (Afb. A, C)

- Draai de twee schroeven (22) uit de onderste schijfbeschermer (12). Verzekert dat de schroeven worden verwijderd zoals weergegeven op afbeelding C1 en niet de twee (kleinere) schroeven onderaan in de onderste schijfbeschermer.
- Verwijder de onderste schijfbeschermer (12).
- Verwijder de moer (16) door deze in tegenwijzerzin te draaien en verwijder de buitenste flens (15).
- Plaats de schijf (2) op de binnenste flens (14).
- Plaats de buitenste flens (15) op de schijf.
- Zet de schijf vast door de buitenste flens (15) vast te houden met de grote moersleutel (20) en draai de moer (16) in wijzerzin vast met de kleine moersleutel (19).

De instelbare langsgeleiding monteren (Afb. A)

- Bevestig de knop (7) op de langsgeleiding (3) door middel van de plaat (1 gat met schroefdraad). Draai de knop nog niet volledig vast.
- Schuif de volledige langsgeleiding met (los vast gezette) knoppen op de tafel; de platen aan de binnenkant van de tafel.
- Plaats de langsgeleiding (3) op de gewenste afstand van de schijf (2).
- Zet de knoppen (7) vast om de langsgeleiding op zijn plaats te bevestigen.

De waterlade monteren (Afb. A, D)



Gebruik de waterlade (4) altijd en verzekert dat het waterpeil zich tussen de markeringen MIN en MAX bevindt.

Het is cruciaal dat de machine wordt gebruikt met de bijgeleverde waterlade. Het is cruciaal dat de machine wordt gebruikt met de bijgeleverde

waterlade (4). Het water koelt de schijf, wat de levensduur van de schijf aanzienlijk verlengt. Daarenboven vermindert het water het vormen van stof.

- Zet de machine op een oppervlak en plaats de waterlade (4) onder de onderste schijfbeschermer (12).
- Verzekert dat de waterlade juist geplaatst is: de rand van de waterlade het verst van u verwijderd moet passen tussen de onderste schijfbeschermer (12) en het metalen oppervlak op de machine.

De tegelsnijder installeren (Afb. A, D)

- De tegelsnijder mag alleen als vast gereedschap gebruikt worden en moet op een vlak en horizontaal oppervlak geschroefd worden. Gebruik de montagegaten (23) in de voet van de machine.
- De elektrische voeding moet op een 230 V~ geaard stopcontact aangesloten worden. De netspanning moet overeenstemmen met de gegevens op het typeplaatje en moet worden beveiligd met een zekering.
- Trek niet aan de voedingskabel om de stekker uit het stopcontact te trekken. Bescherm de kabel tegen hitte, olie en scherpe voorwerpen.



Gebruik alleen accessoires en hulpuitrusting die in de gebruikershandleiding worden vermeld of door de fabrikant aanbevolen of vermeld worden. Het gebruiken van andere accessoires of hulpuitrusting kan een risico op letsel voor u en anderen vormen.

4. GEBRUIK

Verzekert vóór het snijden altijd dat er voldoende water in de waterlade zit. De diamantschijf moet door het water draaien. Let goed op het waterpeil tijdens de taak, zodat deze niet onverwacht leeg raakt. Spoel en vervang het water na het snijden van enkele tegels, zodat dit niet te vuil wordt.



(Accidenteel) de machine zonder water gebruiken, kan de levensduur van de machine verminderen en zal de schijf snel bot maken.



Snijden met een botte schijf, zonder voldoende water of met zeer vuil water kan leiden tot ruwe snedes en/of gescheurde/afgebrokkelde tegels. Voor de beste resultaten: verzekert altijd dat de schijf in goede staat is en dat er voldoende water in de waterlade zit.

- Wacht tot de schijf de volledige draaisnelheid heeft bereikt, voordat u begint te zagen.
- De diamantschijf mag NOOIT aan zijdelingse druk blootgesteld worden. De schijf kan barsten bij zijdelingse druk en de rondvliegende stukken kunnen gevaarlijke projectielen worden!
- Probeer niet om zeer kleine stukjes van de tegels te zagen. Zorg er altijd voor dat het gehele oppervlak van de tegel op de werkbank ligt. Met de bijgeleverde verstekgeleider kunnen de tegels door de snijder worden geduwd. Vooral in de eerste stadia van het snijden moet de tegel absoluut vlak blijven liggen zodat wordt voorkomen dat de tegel opschuift.
- Overbelast uw gereedschap niet. Het is beter en veiliger binnen het aangegeven vermogensbereik te werken. Snij geen andere materialen dan tegels.
- Onderhoud uw gereedschap zorgvuldig. Houd het gereedschap scherp en schoon zodat u op juiste wijze en veilig kunt werken.
- Volg de onderhoudsinstructies en de instructies voor het vervangen van de diamantschijf.
- Ga op een veilige plek staan en blijf in evenwicht. Ga niet in een onnatuurlijk houding staan. Blijf alert en houd uw aandacht bij uw werk. Gebruik uw gezond verstand. Werk niet met de machine wanneer u zich niet kunt concentreren of wanneer u moe bent.
- Als vervanging van het netsnoer nodig is, moet dat worden gedaan door de fabrikant of zijn vertegenwoordiger, om veiligheidsrisico's te vermijden.

Over de volledige lengte instelbare langsgeleiding (Afb. A, E)

Met de langsgeleiding (3) kunt parallel aan het zaagblad zagen.

- Draai de knop van de langsgeleiding (7) los en stel de gewenste afstand in.
- Zet de knoppen van de langsgeleiding aan beide kanten van de zaagtafel (1) los.
- De markeringen geven de afstanden (8) aan.

Verstekgeleider (Afb. A, F)

Volg dezelfde procedure voor een rechte/parallele snede maar gebruik de verstekgeleider (21) tegen de langsgleider (3) voor het zagen van tegels onder een hoek van 45 graden. Verzekert dat de tegel stevig in de geleider zit voordat u begint met zagen.

Instelling afschuinhoek (Afb. A, G)


Het oppervlak van de tafel kan onder een hoek van 0° tot 45° ingesteld worden.

- Zet de knoppen voor het instellen van de afschuinhoek (5) op de voor- en achterkant van de tafel (1) los
- Stel de afschuinhoek in door de tafel (1) te kantelen tot deze in de gewenste hoek staat.
- Zet de knoppen (5) aan beide kanten van de tafel vast.

De diamantschijf inspecteren en vervangen (Afb. A, C)

- Gescheurde of vervormde diamantschijven moeten onmiddellijk worden vervangen.
- Type schijf: diamantschijf met een diameter van 180 mm.
- Gebruik geen schijven die niet voldoen aan de specificaties in deze instructies.
- Verzekert dat de diamantschijf goed is vastgezet en in de juiste richting draait.

De diamantschijf vervangen (Afb. C)

 *Schakel de machine los van het elektrisch net voordat u de schijf vervangt*

- Neem de waterlade (4) uit de machine.
- Draai de knoppen van de beschermkap (22) los en verwijder de beschermkap (12).
- Schroef de bevestigingsmoer van de schijf (16) los.
- Verwijder de contraflens (15) en de schijf (2) en duw een nieuwe schijf op de flens (14). Houd rekening met de draairichting die op de schijf aangegeven is. Bevestig de contraflens (15).
- Draai de bevestigingsmoer (16) vast en monteer de beschermkap.

5. ONDERHOUD

Schakel de machine altijd uit en trek de stekker uit het stopcontact voordat u deze reinigt of onderhoud uitvoert.

De machines zijn zo ontworpen dat ze met een minimum aan onderhoud lange tijd dienst kunnen doen. Voortdurend gebruik naar tevredenheid is afhankelijk van de juiste verzorging van de machine en regelmatige reiniging.

Schoonmaken

Houd de ventilatiesleuven van de machine schoon om oververhitting van de motor te voorkomen. Maak de behuizing van de machine regelmatig schoon met een zachte doek, bij voorkeur na ieder gebruik. Houd de ventilatiesleuven vrij van stof en vuil. Gebruik een zachte met zeepwater vochtig gemaakte doek als het vuil niet kan worden verwijderd. Gebruik nooit oplosmiddelen zoals benzine, alcohol, ammoniakwater, enz. Deze oplosmiddelen kunnen de kunststof onderdelen beschadigen.

Reinig het gereedschap altijd onmiddellijk na gebruik.

- Haal de waterlade uit de machine en verwijder het vuil water.
- Schroef de beschermkap los en maak deze schoon.
- Zet de stervormige knop los, vouw de tafel samen en boen de volledig machine.

Onderhoud

De machine is conform alle huidige veiligheidsvoorschriften. Reparaties mogen alleen door een goedgekeurde firma uitgevoerd worden omdat pogingen tot repareren door niet gekwalificeerde personen verwondingen van de gebruiker en omstaanders kunnen veroorzaken. Controleer regelmatig het netsnoer en de stekker en laat deze door een goedgekeurde firma vervangen als ze beschadigd zijn. Controleer ook mogelijke verlengkabels. Beschadigde beschermkappen en schakelaars moeten worden vervangen voordat de machine opnieuw gebruikt wordt.

MILIEU



Het symbool met de doorkruiste vuilnisbak betekent dat dit product niet samen met huishoudelijk afval weggegooid mag worden. Elektronische en elektrische apparaten die niet zijn opgenomen in het proces van gescheiden afvalinzameling zijn mogelijk gevaarlijk voor het milieu en de volksgezondheid, vanwege de aanwezigheid van gevaarlijke stoffen. Breng het apparaat naar een goedgekeurde afvalverwerkings- of recyclingfaciliteit.

impliciet noch expliciet, die verder strekken dan deze garantie, inclusief de impliciete garanties inzake de verkoopbaarheid en geschiktheid voor een specifiek doel. In geen geval zal VONROC aansprakelijk zijn voor incidentele schade of gevolgschade. De oplossingen van de dealers zullen beperkt zijn tot de reparatie of het vervangen van niet-conforme eenheden of onderdelen.

Het product en de gebruiksaanwijzing kunnen worden gewijzigd. Specificaties kunnen zonder voorafgaande kennisgeving worden gewijzigd.

Alleen voor landen in de EG

Gooi geen elektrisch gereedschap bij het huisvuil. Volgens de Europese richtlijnen 2012/19/EU voor Afgedankte Elektrische en Elektronische apparatuur en de implementatie daarvan in nationaal recht, moet elektrische gereedschap dat niet meer bruikbaar is, apart worden ingezameld en op een milieuvriendelijke wijze worden verwerkt.

GARANTIE

Producten van VONROC worden op basis van de hoogste kwaliteitsnormen ontwikkeld en zijn gegarandeerd vrij van defecten, zowel voor wat betreft het materiaal als de afwerking, gedurende de door de wet bepaalde periode, startend vanaf de datum van de originele aankoop. Mocht het product gedurende deze periode enige storingen vertonen als gevolg van gebrekkig materiaal en/of gebrekkige afwerking, dient direct contact met VONROC opgenomen te worden.

De volgende omstandigheden zijn uitgesloten van deze garantie:

- Reparatie en/of wijzigingen die door en niet erkend servicecentrum aan de machine werd/ werden aangebracht of waartoe een poging werd ondernomen;
- Normale slijtage;
- Het gereedschap werd misbruikt, verkeerd werd gebruikt en/of onjuist werd onderhouden;
- Niet-originele reserveonderdelen werden gebruikt.

Dit betreft de enige garantie die door de organisatie, impliciet of expliciet, wordt aangeboden. Er zijn geen andere garanties,

1. CONSIGNES DE SÉCURITÉ

Veillez à lire les avertissements de sécurité, les avertissements supplémentaires de sécurité ainsi que toutes les instructions jointes. Le non-respect des avertissements de sécurité et des consignes peut entraîner des décharges électriques, des incendies et/ou de graves blessures. Conservez tous les avertissements et toutes les instructions liées à la sécurité afin de pouvoir vous y référer dans le futur.

Les symboles qui suivent sont utilisés dans la notice d'utilisation ou sur le produit :



Lisez la notice d'utilisation.



Indique un risque de blessure, de décès ou de détérioration de l'outil en cas de non-respect des consignes de cette notice.



Risque de décharge électrique.



Débranchez immédiatement la prise du secteur si le cordon est endommagé et/ou pendant les opérations de maintenance.



Portez des protections auditives.



Portez une protection oculaire.



Symbole de la mise à la terre. Cet appareil électrique est de classe I concernant son isolation et il doit être branché dans une prise de terre.



Ne jetez pas le produit dans des conteneurs inadaptés.



Le produit répond aux normes de sécurité en vigueur dans les Directives européennes

AVERTISSEMENTS DE SÉCURITÉ GÉNÉRALE PROPRES AUX OUTILS ÉLECTRIQUES



AVERTISSEMENT ! Veillez à lire tous les avertissements de sécurité et toutes les instructions. Le non-respect des avertissements et des instructions peut entraîner des décharges électriques, des incendies et/ou de graves blessures.

Conservez tous les avertissements et toutes les instructions afin de pouvoir vous y référer dans le futur.

Le terme «outil électrique» dans les avertissements fait référence à votre outil électrique alimenté sur secteur (avec fil) ou votre outil électrique alimenté sur batterie (sans fil).

1) Sécurité de la zone de travail

- a) **Maintenez la zone de travail propre et bien éclairée.** Les zones sombres ou encombrées sont propices aux accidents.
- b) **N'utilisez pas d'outils électriques dans un environnement présentant des risques d'explosion ou en présence de liquides, gaz ou poussières inflammables.** Les outils électriques créent des étincelles qui peuvent enflammer les poussières et les fumées.
- c) **Maintenez les enfants et les autres personnes éloignés lorsqu'un outil électrique est en marche.** Toute distraction peut vous faire perdre le contrôle de l'outil.

2) Sécurité électrique

- a) **Les prises des outils électriques doivent correspondre à la prise de courant murale. Ne modifiez jamais la prise d'aucune sorte. N'utilisez aucun adaptateur avec des outils électriques reliés à la terre.** L'utilisation de prises d'origine et de prises murales appropriées permet de réduire le risque de décharge électrique.
- b) **Évitez tout contact physique avec des surfaces reliées à la terre comme des tuyaux, des radiateurs, des fours et des réfrigérateurs par exemple.** Le risque de décharge électrique augmente lorsque votre corps est relié à la terre.
- c) **N'exposez pas les outils électriques à la pluie, ni à l'humidité.** Le risque de décharge électrique augmente si de l'eau pénètre dans un outil électrique.
- d) **Ne tirez pas sur le cordon d'alimentation. N'utilisez jamais le cordon pour transporter, tirer ou débrancher l'outil électrique. Maintenez le cordon à l'écart de la chaleur, des substances grasses, des bords tranchants ou des pièces mobiles.** Les cordons endommagés ou emmêlés augmentent les risques de décharges électriques.

- e) **Si vous utilisez un outil électrique à l'extérieur, utilisez une rallonge homologuée pour les travaux en extérieur.** L'utilisation d'une rallonge électrique homologuée pour les travaux en extérieur réduit le risque de décharge électrique.
- f) **Si l'utilisation d'un outil électrique dans un endroit humide est inévitable, utilisez une alimentation électrique protégée par un disjoncteur différentiel à courant résiduel (DDR).** L'utilisation d'un DDR réduit le risque de décharge électrique.
- 3) Sécurité des personnes**
- a) **Restez vigilant, surveillez ce que vous faites et faites preuve de bon sens lorsque vous utilisez un outil électrique. N'utilisez pas d'outils électriques si vous êtes fatigué ou sous l'influence de drogue, d'alcool ou de médicaments.** Tout moment d'inattention pendant l'utilisation d'un outil électrique peut engendrer de graves blessures.
- b) **Portez des équipements de protection individuelle. Veillez à toujours porter une protection oculaire.** Les équipements de protection comme les masques à poussière, les chaussures de sécurité antidérapantes, les casques ou les protections auditives réduisent le risque de blessures s'ils sont utilisés à bon escient.
- c) **Empêchez tout démarrage intempestif. Assurez-vous que l'interrupteur est sur la position Arrêt avant de raccorder l'outil à l'alimentation électrique et/ou au bloc-batterie ou avant de ramasser ou de transporter l'outil.** Le fait de transporter les outils électriques le doigt sur l'interrupteur ou d'alimenter les outils électriques dont l'interrupteur est déjà en position de marche augmente le risque d'accidents.
- d) **Retirez toutes les clés ou pinces de réglage avant de mettre l'outil en marche.** Une clé ou une pince restée fixée sur une pièce rotative de l'outil électrique peut engendrer des blessures.
- e) **Ne vous penchez pas. Gardez les pieds bien ancrés au sol et conservez votre équilibre en permanence.** Cela permet de mieux maîtriser l'outil électrique en cas de situations imprévues.
- f) **Portez des vêtements appropriés. Ne portez aucuns vêtements amples, ni bijoux. Gardez vos cheveux, vos vêtements et vos gants éloignés des pièces mobiles.** Les vêtements amples, les bijoux ou les cheveux longs peuvent être happés par les pièces mobiles.
- g) **Si vous disposez de dispositifs pour le raccordement d'un extracteur de poussière ou d'installations pour la récupération, assurez-vous qu'ils sont correctement raccordés et utilisés.** L'utilisation de dispositifs récupérateurs de poussières réduit les risques liés aux poussières.
- h) **Ne pensez pas être familiarisé avec l'outil après l'avoir utilisé à de nombreuses reprises, au point de ne plus rester vigilant et d'en oublier les consignes de sécurité.** Toute action imprudente peut engendrer de graves blessures en une fraction de seconde.
- 4) Utiliser et entretenir un outil électrique**
- a) **Ne forcez pas sur l'outil. Utilisez l'outil électrique approprié, adapté pour le travail à réaliser.** Un outil adapté fonctionne mieux, de façon plus sûre et à la cadence pour laquelle il a été conçu.
- b) **N'utilisez pas l'outil électrique si l'interrupteur ne permet plus de le mettre en marche et de l'éteindre.** Tout outil électrique qui ne peut plus être commandé par son interrupteur est dangereux et il doit être réparé.
- c) **Débranchez la prise de courant et/ou retirez le bloc-batterie de l'outil électrique avant d'effectuer tout réglage, de changer un accessoire ou de ranger l'outil électrique.** Ces mesures de sécurité préventives réduisent le risque de démarrage accidentel de l'outil électrique.
- d) **Rangez les outils électriques non utilisés hors de portée des enfants et ne laissez aucune personne ne connaissant pas ces outils ou leurs instructions d'utilisation les faire fonctionner.** Les outils électriques peuvent être dangereux entre des mains inexpérimentées.
- e) **Veillez à bien entretenir vos outils électriques. Vérifiez que les pièces mobiles sont alignées correctement et qu'elles ne sont pas coincées. Vérifiez qu'aucune pièce n'est cassée et contrôlez l'absence de toute autre condition qui pourrait nuire au bon fonctionnement de l'outil. En cas de dommage, faites réparer l'outil électrique avant de le réutiliser.** De nombreux accidents sont provoqués par des outils électriques mal entretenus.

- f) **Maintenez les organes de coupe affûtés et propres.** Des organes de coupe bien entretenus et dont le tranchant est affûté sont moins susceptibles de rester coincés et ils sont plus faciles à contrôler.
- g) **Utilisez l'outil électrique, les accessoires et les embouts d'outils conformément à ces instructions, en tenant compte des conditions de travail et de la tâche à effectuer.** L'utilisation d'un outil électrique à d'autres fins que celles pour lesquelles il a été prévu peut entraîner des situations dangereuses.
- h) **Veillez à ce que les poignées et les surfaces de préhension restent sèches et propres, sans trace d'huile ou de graisse.** Des poignées et des surfaces de préhension glissantes ne permettent pas de manipuler et de maîtriser l'outil correctement en cas d'imprévus.

5) Service

- a) **Ne faites réviser/réparer votre outil électrique que par un réparateur qualifié qui n'utilise que des pièces de rechange d'origine.** Cela permet de garantir la sûreté de l'outil électrique.

CONSIGNES DE SÉCURITÉ SUPPLÉMENTAIRES PROPRES AUX COUPE-CARRÉAUX

- Contrôlez l'absence de dommage sur votre outil électrique et notamment sur le disque diamant, avant de commencer à travailler. Toutes les pièces doivent être installées correctement et elles doivent répondre à toutes les prescriptions afin de garantir le bon fonctionnement de l'outil. En cas de dommages, même mineurs, sur les carters de protection et sur toutes les autres pièces, le bon fonctionnement de ces pièces doit être contrôlé avant de poursuivre l'utilisation de l'outil. Les pièces mobiles et notamment le carter de protection de la lame diamant, doivent être correctement installées et elles ne doivent pas être bloquées. N'utilisez plus les outils qui ne peuvent plus être allumés ou éteints à l'aide de leur interrupteur.
- La carter de protection de la lame-diamant ne doit pas être coincé, ni retiré.
- Si le carter de protection coincide, il doit être réparé immédiatement.
- Le couteau diviseur ne doit pas être retiré.

Avant d'utiliser la machine :

- Contrôlez ce qui suit :
 - *La tension nominale de la ponceuse à bande stationnaire correspond-elle à l'alimentation électrique ?*
 - *Le câble et la prise électriques sont-ils en bon état (solide, sans effilochure ou autre dommage) ?*
- Portez des lunettes de protection.
- Utilisez un masque à poussière.

À chaque utilisation de la machine

- Contrôlez que l'interrupteur N'est PAS est sur la position "Marche/1" avant de raccorder la machine à l'alimentation électrique.
- Faites en sorte que le cordon électrique reste loin des pièces mobiles de la machine.

Éteignez immédiatement la machine si :

- La prise ou le cordon électriques sont défectueux ou endommagés.
- L'interrupteur est défectueux.
- Vous sentez de la fumée ou une odeur de brûlé.

Sécurité électrique

Quand vous utilisez des équipements électriques, veillez à toujours respecter la réglementation applicable dans votre pays en matière de sécurité afin de réduire les risques d'incendie, de décharge électrique et de blessure. Veillez à bien lire les consignes de sécurité qui suivent.



Veillez à toujours contrôler que la tension de l'alimentation électrique correspond à la tension mentionnée sur la plaque signalétique.



Avertissement ! Une prise de terre est obligatoire pour permettre l'utilisation sûre de cette machine. Ne branchez pas la machine dans des prises sans terre.

Utilisation d'une rallonge

N'utilisez que des rallonges homologuées, adaptées à l'alimentation électrique de cette machine. La section minimum du fil conducteur doit être de 1,5 mm². Si vous utilisez un enrouleur de câble, veillez à toujours dérouler le câble complètement. N'utilisez pas de rallonge sans terre.

2. INFORMATIONS SUR LA MACHINE

Utilisation prévue

Cet outil permet de découper divers carreaux de sol ou muraux d'une taille maximum de 500x500x35 mm. Le disque diamant peut être remplacé par l'utilisateur. Il est interdit d'utiliser l'outil sur toute autre matière.

CARACTÉRISTIQUES TECHNIQUES

N° de modèle	TC502AC
Tension	230V~ / 50Hz
Puissance nominale	300W S1 / 600W S6 15%
Vitesse à vide du disque de coupe	2990/min
Profondeur de coupe maxi à 90°	34mm
Profondeur de coupe maxi à 45°	18mm
Angle de découpe	0-45°
Diamètre du disque de coupe	Ø180mm x Ø22,2mm
Épaisseur du disque de coupe	2,2mm
Dimensions du plateau	360 x 330mm
Indice IP	IP44
L _{PA} (niveau de pression sonore)	87dB(A), K=3dB(A)
L _{WA} (niveau de puissance sonore)	100dB(A), K=3dB(A)

PRÉSENTATION

Les numéros dans le texte renvoient aux diagrammes des pages 2 à 6.

1. Plateau de découpe
2. Lame
3. Garde
4. Bac à eau
5. Bouton de réglage du biseau
6. Interrupteur Marche/Arrêt
7. Bouton de la garde
8. Règle

9. Vis pour le couteau diviseur
10. Couteau diviseur
11. Carter de protection
12. Carter inférieur de la lame
13. Plaque du couteau diviseur
14. Bride intérieure de la lame
15. Bride extérieure de la lame
16. Écrou de la fixation pour la bride
17. Arbre moteur
18. Machine
19. Petite clé
20. Grande clé
21. Guide pour coupes d'onglets
22. Vis du carter de protection inférieur
23. Trous de fixation

3. INSTALLATION

Installer le couteau diviseur et le carter de protection de la lame (Fig. A, B)

- Dévissez légèrement les deux vis (9).
- Positionnez le pied du couteau diviseur (10) sous les vis (et légèrement sous le plateau).
- Serrez les vis (9).

Installer la lame (Fig. A, C)

- Retirez les deux vis (22) du carter de protection inférieur de la lame (12). Veillez à bien retirer les vis indiquées sur la figure C1 et non les deux plus petites vis au bas du carter de lame.
- Retirez le carter inférieur de la lame (12).
- Retirez l'écrou (16) en le tournant dans le sens inverse des aiguilles d'une montre et retirez la bride extérieure (15).
- Installez la lame (2) sur la bride intérieure (14).
- Installez la bride extérieure (15) sur la lame.
- Fixez la lame en maintenant la bride extérieure (15) à l'aide de la grande clé (20) et en serrant l'écrou (16) dans le sens des aiguilles d'une montre à l'aide de la petite clé (19).

Installer la garde ajustable (Fig. A)

- Assemblez le bouton (7) et la garde (3) en utilisant la plaque (1 trou fileté). Ne serrez pas encore complètement le bouton.
- Glissez toute la garde avec les boutons (pas complètement serrés) sur le plateau. Les plaques sur l'intérieur du plateau.
- Positionnez la garde (3) à la distance voulue par rapport à la lame (2).

- Serrez les boutons (7) pour fixer la garde en place.

Installer le bac à eau (Fig. A, D)



Veillez à toujours utiliser le bac à eau (4) et à maintenir le niveau d'eau entre les repères MIN et MAX.

Il est primordial d'utiliser la machine avec le bac à eau fourni. Il est primordial d'utiliser la machine avec le bac à eau fourni (4). L'eau permet de refroidir la lame et de prolonger sa durée de vie de façon significative. De plus, l'eau réduit l'accumulation de poussière.

- Placez la machine à plat et le bac à eau (4) sous le carter de protection inférieur de la lame (12).
- Veillez à correctement installer le bac à eau : le bord du bac le plus éloigné doit se trouver entre le carter inférieur de la lame (12) et la surface métallique de la machine.

Installer le coupe-carreaux (Fig. A, D)

- Le coupe-carreaux ne peut servir que d'outil fixe, vissé sur une surface horizontale et de niveau. Utilisez les trous de fixation (23) sur la base de la machine.
- Le câble électrique doit être branché dans une prise de terre murale de 230V~. La tension du secteur doit correspondre aux informations mentionnées sur la plaque signalétique et elle doit être protégée par un disjoncteur.
- Ne tirez pas sur le câble électrique pour débrancher la machine. Protégez le câble de la chaleur, de la graisse et des objets tranchants.



N'utilisez que les accessoires et les équipements mentionnés ou recommandés dans la notice ou proposés par le fabricant. L'utilisation d'accessoires ou d'équipements autres peut créer un risque de blessure pour vous et les autres.

4. UTILISATION

Avant de commencer vos travaux de découpe, veillez toujours à ce qu'il y ait suffisamment d'eau dans le bac à eau. La lame diamant ne doit pas toucher l'eau en tournant. Gardez un œil attentif sur le niveau d'eau pendant l'utilisation, afin de ne pas venir à en manquer de façon inattendue.

Rincez le bac et remplacez l'eau après quelques découpes pour ne pas qu'elle soit trop contaminée.



Le fait d'utiliser (accidentellement) la machine sans suffisamment d'eau peut réduire la durée de vie de la machine et faire émousser la lame très rapidement.



Les découpes avec une lame émoussée, sans suffisamment d'eau ou avec de l'eau très contaminée, manquent de précision et/ou peuvent fissurer ou ébrécher les carreaux. Pour un résultat optimal, veillez toujours à ce que la lame soit bon état et à ce qu'il y ait suffisamment d'eau dans le bac.

- Attendez que la lame atteigne sa pleine vitesse avant d'entamer la découpe.
- La lame diamant ne doit JAMAIS subir de pression latérale. La lame peut casser et voler en éclats en cas de pression latérale !
- Ne tentez de découper des morceaux de carreaux extrêmement petits. Veillez à ce que toute la surface du carreau se trouve sur le plateau. Le guide pour coupes d'onglets fourni peut servir à pousser les carreaux sur la lame. Au démarrage de la découpe notamment, le carreau doit absolument rester de niveau pour ne pas qu'il se redresse.
- Ne sursollicitez pas votre outil. Il est préférable et plus sûr de travailler dans la plage de régimes mentionnée. Ne découpez rien d'autre que des carreaux de carrelage.
- Entretenez soigneusement vos outils. Gardez vos outils bien affûtés et propres afin qu'ils fonctionnent correctement et de façon sûre.
- Respectez les consignes de maintenance et celles pour le remplacement de la lame diamant.
- Tenez vos correctement et conservez votre équilibre. Évitez toute posture non naturelle. Restez vigilant et soyez à ce que vous faites. Faites preuve de bon sens. N'utilisez pas la machine si vous n'êtes pas en mesure de vous concentrer ou si vous êtes fatigué.
- Si le remplacement du câble d'alimentation est nécessaire, cette intervention doit être effectuée par le fabricant ou l'un de ses prestataires agréés afin d'éviter tout risque.

Garde ajustable sur toute sa longueur (Fig. A, E)

La garde (3) vous permet d'effectuer des découpes parallèles à la lame.

- Desserrez les boutons de la garde (7) et réglez-la à la distance voulue.
- Resserrez les boutons des deux côtés du plateau (1).
- Les repères indiquent la mesure (8).

Guide pour coupes d'onglets (Fig. A, F)

Respectez la même procédure que pour une découpe droite/parallèle mais utilisez le guide pour coupes d'onglets (21) contre la garde (3) pour découper les carreaux à 45°. Veillez à ce que le carreau soit fermement maintenu dans le guide avant d'effectuer la découpe.

Régler l'angle de biseau (Fig. A, G)

La surface du plateau permet de régler un angle de biseau entre 0° et 45°.

- Desserrez le bouton de réglage du biseau (5) à l'avant et à l'arrière du plateau (1)
- Réglez l'angle de biseau en inclinant le plateau (1) vers le haut jusqu'à avoir atteint l'inclinaison voulue.
- Resserrez les boutons (5) des deux côtés du plateau.

Inspecter et remplacer la lame diamant (Fig. A, C)

- La lame doit être remplacée immédiatement si elle est fissurée ou tordue.
- Type de disque : lame de coupe diamant de 180mm de diamètre.
- N'utilisez pas de lames n'ayant pas les mêmes caractéristiques que celles spécifiées dans cette notice.
- Veillez à ce que la lame diamant soit correctement fixée et à ce qu'elle tourne dans le bon sens.

Remplacer la lame diamant (Fig. C)

Débranchez la machine avant de remplacer la lame

- Retirez le bac à eau (4) de la machine.
- Desserrez les boulons qui fixent le carter de la lame (22) et retirez le carter (12).
- Desserrez l'écrou qui fixe la lame (16).
- Retirez la contre-bride (15) et la lame (2) et poussez la lame neuve sur la bride (14). Faites attention au sens de rotation indiqué sur le plateau. Fixez la contre-bride (15).

- Serrez l'écrou de fixation (16) et installez l'écran anti-éclaboussures.

5. MAINTENANCE

Éteignez et débranchez toujours la machine avant de la nettoyer ou de l'entretenir.

Les machines ont été conçues pour fonctionner longtemps avec un minimum d'entretien. Le fonctionnement continu et satisfaisant de la machine dépend de son bon entretien et de son nettoyage régulier.

Nettoyage

Gardez les fentes d'aération de la machine propres afin d'éviter la surchauffe du moteur. Nettoyez régulièrement l'enveloppe de la machine à l'aide d'un chiffon doux et de préférence après chaque utilisation. Gardez les aérations exemptes de poussière et de saleté. Si vous ne parvenez pas à les nettoyer, utilisez un chiffon doux avec un peu d'eau savonneuse. N'utilisez jamais aucuns solvants, essence, alcool, eau ammoniacquée, etc. Ces solvants peuvent endommager les pièces en plastique.

Veillez à toujours nettoyer la machine immédiatement après l'avoir utilisée.

- Retirez le bac à eau de la machine et videz l'eau sale.
- Dévissez l'écran anti-éclaboussures et nettoyez-le.
- Desserrez le bouton en forme d'étoile, repliez le plateau et essuyez toute la machine.

Maintenance

La machine répond à toutes les réglementations en vigueur concernant la sécurité. Les réparations ne peuvent être effectuées que par une société agréée car celles tentées par des personnes non qualifiées peuvent occasionner des blessures pour l'utilisateur et les personnes à proximité. Contrôlez régulièrement le câble électrique et la prise et faites-les remplacer par une société agréée en cas de dommages. Contrôlez également les rallonges. Les carters de protection et les interrupteurs défectueux doivent être remplacés avant de réutiliser la machine.

ENVIRONNEMENT



Le symbole de la poubelle sur roulettes barrée indique que ce produit ne doit pas être jeté avec les déchets ménagers. Les équipements électriques et électroniques qui ne font pas l'objet d'un tri sélectif peuvent être dangereux pour l'environnement et la santé car ils contiennent des substances dangereuses. Veillez à les éliminer de façon responsable dans une déchèterie ou auprès d'une société de recyclage autorisées.

particulier. En aucun cas, VONROC ne saurait être tenu responsable pour les dommages accidentels ou consécutifs. Les recours des revendeurs sont limités à la réparation ou au remplacement des équipements ou des pièces non conformes.

Le produit et la notice d'utilisation sont sujets à modifications. Les caractéristiques peuvent être modifiées sans notification préalable.

Pour les pays de la Communauté Européenne uniquement

Ne pas jeter les outils électriques avec les déchets ménagers. Conformément à la Directive Européenne 2012/19/UE relative à l'élimination des déchets électriques et électroniques et sa transposition dans la législation nationale, les outils électriques inutilisables doivent être collectés séparément et être jetés de façon écologique.

GARANTIE

Les produits VONROC sont développés avec les normes de qualité les plus hautes et ils sont garantis pour être exempts de défaut de pièces et de main d'œuvre pour la durée stipulée par la loi et à compter de la date d'achat initiale. Si, au cours de cette période, le produit devait rencontrer une quelconque panne due à un défaut de pièce ou de main d'œuvre, contactez VONROC directement.

Les conditions suivantes sont exclues de la garantie :

- Réparations ou modifications sur la machine, faites ou tentées par des réparateurs non agréés ;
- Usure normale ;
- L'outil a été maltraité, mal utilisé ou mal entretenu ;
- Utilisation de pièces détachées non d'origine.

Cela constitue l'unique garantie, explicite ou implicite, proposée par la société. Il n'existe aucune autre garantie, explicite ou implicite, qui puisse dépasser le cadre de la présente garantie, y compris les garanties implicites de qualité marchande et d'adaptation à un usage

1. INSTRUCCIONES DE SEGURIDAD

Lea las advertencias de seguridad, las advertencias de seguridad adicionales y las instrucciones adjuntas. Si no respeta las advertencias de seguridad y las instrucciones, pueden ocasionarse descargas eléctricas, incendios y/o lesiones graves. Guarde las advertencias de seguridad y las instrucciones para su futura consulta.

En el manual de usuario y en el producto se emplean los siguientes símbolos:



Lea el manual de usuario.



Denota riesgo de lesiones personales, muerte o daños a la herramienta en caso de incumplimiento de las instrucciones del presente manual.



Riesgo de descarga eléctrica.



Desenchufe inmediatamente el enchufe de la toma de corriente en caso de que el cable se dañe y durante el mantenimiento.



Use protectores auditivos.



Use protección ocular.



Símbolo de puesta a tierra. Este aparato ha sido clasificado con clase de protección I y debe conectarse a una toma de corriente con puesta a tierra.



No tire el producto en contenedores inadecuados.



El producto cumple las normas de seguridad aplicables

ADVERTENCIAS GENERALES DE SEGURIDAD PARA HERRAMIENTAS ELÉCTRICAS



¡ADVERTENCIA! Lea todas las advertencias de seguridad y todas las instrucciones. Si no respeta las advertencias de seguridad y las instrucciones, pueden ocasionarse descargas eléctricas, incendios y/o lesiones graves.

Guarde todas las advertencias y las instrucciones para su futura consulta.

Por "herramienta eléctrica" en las advertencias se entiende la herramienta alimentada por la red (con cable) o la herramienta alimentada a batería (sin cable).

1) Seguridad en el área de trabajo

- Mantenga el área de trabajo limpia y bien iluminada.** Las áreas desordenadas u oscuras favorecen los accidentes.
- No utilice herramientas eléctricas en atmósferas explosivas, como en presencia de líquidos, gases o polvos inflamables.** Las herramientas eléctricas generan chispas que pueden encender el polvo o los humos.
- Mantenga alejados a los niños y a otras personas cuando utilice una herramienta eléctrica.** Las distracciones pueden causar pérdidas de control.

2) Seguridad eléctrica

- Los enchufes de las herramientas eléctricas deben coincidir con la toma de corriente. Nunca modifique el enchufe de ningún modo. No utilice ningún enchufe adaptador con las herramientas eléctricas con toma de tierra (puesta a masa).** Los enchufes no modificados y las tomas de corriente que corresponden reducen el riesgo de descarga eléctrica.
- Evite el contacto del cuerpo con superficies conectadas a tierra o puestas a masa, como tubos, radiadores, cocinas y refrigeradores.** Existe un mayor riesgo de descarga eléctrica si su cuerpo está conectado a tierra o puesto a masa.
- No exponga las herramientas eléctricas a la lluvia ni a la humedad.** Si entra agua en una herramienta eléctrica, aumenta el riesgo de descarga eléctrica.
- No maltrate el cable. No utilice nunca el cable para transportar, tirar o desenchufar la herramienta eléctrica. Mantenga el cable alejado del calor, el aceite, los cantos vivos y las piezas móviles.** Los cables dañados o enredados aumentan el riesgo de descarga eléctrica.
- Cuando utilice una herramienta eléctrica en exteriores, utilice un cable prolongador adecuado para uso en exteriores. Usar un cable

adecuado para exteriores reduce el riesgo de descarga eléctrica.

- f) **Si el uso de una herramienta eléctrica en un entorno húmedo es inevitable, utilice un suministro protegido con un dispositivo diferencial residual (DDR).** El uso de un DDR reduce el riesgo de descarga eléctrica.
- 3) Seguridad personal**
- a) **Esté atento, tenga cuidado con lo que hace y aplique el sentido común cuando utilice una herramienta eléctrica. No utilice herramientas eléctricas si está cansado o bajo el efecto de drogas, alcohol o medicamentos.** Un momento de desatención durante el uso de las herramientas eléctricas puede causar lesiones personales graves.
- b) **Use equipo de protección individual. Use siempre protectores oculares.** Los equipos de protección, como la mascarilla antipolvo, el calzado de seguridad antideslizante, el casco o la protección auditiva, utilizados en las condiciones adecuadas, reducen las lesiones corporales.
- c) **Evite arranques involuntarios. Compruebe que el interruptor esté en la posición de apagado antes de conectar la herramienta a la fuente de alimentación y/o a la batería, y antes de cogerla o transportarla.** Transportar herramientas eléctricas con el dedo puesto sobre el interruptor o enchufarlas con el interruptor encendido puede causar accidentes.
- d) **Retire cualquier llave de ajuste o llave de tuercas antes de encender la herramienta eléctrica.** Si se deja cualquier tipo de llave puesta en una pieza giratoria de la herramienta eléctrica, pueden producirse lesiones personales.
- e) **No se estire demasiado. Mantenga una posición firme y equilibrada en todo momento.** Así tendrá un mejor control de la herramienta eléctrica en situaciones imprevistas.
- f) **Vístase de forma adecuada. No use prendas sueltas ni joyas. Mantenga el cabello, la ropa y los guantes alejados de las piezas móviles.** La ropa suelta, las joyas o el cabello largo pueden quedar atrapados en las piezas móviles.
- g) **Si se proporcionan dispositivos para la conexión de aparatos de extracción y recogida de polvo, compruebe que estos estén conectados y que se utilicen correctamente.**

El uso de aparatos de recogida de polvo puede reducir los riesgos relacionados con el polvo.

- h) **No permita que la familiaridad adquirida con el uso frecuente de las herramientas le haga confiarse e ignorar los principios de seguridad de las herramientas.** Una acción descuidada puede causar lesiones graves en una fracción de segundo.
- 4) Uso y cuidado de la herramienta eléctrica**
- a) **No fuerce la herramienta eléctrica. Utilice la herramienta eléctrica correcta para su aplicación.** Usar la herramienta eléctrica correcta y al ritmo para el que esta ha sido diseñada permite hacer mejor el trabajo y con más seguridad.
- b) **No utilice la herramienta eléctrica si no se puede encender o apagar con el interruptor.** Cualquier herramienta eléctrica que no pueda ser controlada con el interruptor es peligrosa y debe ser reparada.
- c) **Desconecte el enchufe de la fuente de alimentación y/o quite la batería de la herramienta eléctrica antes de hacer cualquier ajuste, cambiar los accesorios o guardar la herramienta eléctrica.** Estas medidas de seguridad preventivas reducen el riesgo de que la herramienta eléctrica se ponga en marcha accidentalmente.
- d) **Guarde las herramientas eléctricas inactivas fuera del alcance de los niños y no permita que las utilicen las personas no familiarizadas con las herramientas eléctricas o con estas instrucciones.** Las herramientas eléctricas son peligrosas en manos de usuarios no capacitados.
- e) **Efectúe el mantenimiento de las herramientas eléctricas. Compruebe si las piezas móviles están desalineadas o agarradas, si hay piezas rotas o cualquier otra condición que pueda afectar al funcionamiento de la herramienta. En caso de que la herramienta esté dañada, hágala reparar antes de usarla.** Muchos accidentes son causados por herramientas eléctricas mal mantenidas.
- f) **Mantenga las herramientas de corte afiladas y limpias.** Las herramientas de corte bien mantenidas y con bordes de corte afilados tienen menos probabilidades de atascarse y son más fáciles de controlar.

- g) **Utilice la herramienta eléctrica, los accesorios y las brocas, etc., de acuerdo con estas instrucciones, teniendo en cuenta las condiciones de trabajo y el trabajo a realizar.**

El uso de la herramienta eléctrica para operaciones diferentes a las previstas puede causar situaciones peligrosas.

- h) **Mantenga las empuñaduras y las superficies de agarre secas, limpias y libres de aceite y grasa.** Las asas y las superficies de agarre resbaladizas no permiten un manejo y control seguros de la herramienta en situaciones inesperadas.

5) Reparaciones

- a) **Haga reparar su herramienta eléctrica por una persona cualificada, que use solo piezas de repuesto idénticas.** Esto garantiza que se mantenga la seguridad de la herramienta eléctrica.

INSTRUCCIONES DE SEGURIDAD ADICIONALES PARA CORTADORAS DE BALDOSAS

- Compruebe que su herramienta eléctrica no tenga daños antes de empezar a trabajar, especialmente, el disco diamantado. Todas las piezas deben montarse correctamente y cumplir todos los requisitos para garantizar el funcionamiento fluido de la herramienta. Deben revisarse las protecciones de seguridad o las piezas ligeramente dañadas para ver si aún funcionan correctamente, antes de continuar usando la herramienta. Las piezas móviles y, en particular, el protector del disco diamantado, deben estar montadas correctamente y no deben atascarse. No use herramientas que no puedan apagarse o encenderse con el botón de encendido/apagado.
- El protector del disco diamantado no debe atascarse ni extraerse.
- Si un protector se atasca, debe ser reparado de inmediato.
- No debe retirar el separador.

Antes de utilizar la máquina:

- Compruebe lo siguiente:
 - ¿La tensión nominal de la lijadora de banco coincide con la de la fuente de alimentación?

- ¿El cable de alimentación y el enchufe están en buenas condiciones (sanos, sin desgastes ni otros daños)?
- Use gafas de seguridad.
- Use mascarilla contra el polvo.

Cada vez que utilice la máquina

- Antes de conectar la máquina a la fuente de alimentación, compruebe que el interruptor NO esté en la posición "ON/1".
- Mantenga siempre el cable de corriente alejado de las piezas móviles de la máquina.

Apague inmediatamente la máquina en los siguientes casos:

- El enchufe o el cable de alimentación están defectuosos o dañados.
- El interruptor está defectuoso.
- Hay olor a humo o el aislamiento está quemado.

Seguridad eléctrica

Cuando utilice máquinas eléctricas, respete siempre las normas de seguridad aplicables en su país, para reducir el riesgo de incendio, descarga eléctrica y lesiones personales. Lea las siguientes instrucciones de seguridad.



Compruebe siempre que el voltaje de la tensión de alimentación se corresponda con la tensión indicada en la placa de datos.



¡Advertencia! Para utilizar esta máquina de forma segura, se requiere un enchufe con conexión a tierra. No conecte la máquina a enchufes sin conexión a tierra.

Uso de cables prolongadores

Use solo un cable prolongador apto para la potencia nominal de la máquina. El tamaño mínimo del conductor es de 1,5 mm². Cuando utilice un carrete de cable, desenróllelo siempre completamente. No utilice cables de prolongación sin conexión a tierra.

2. INFORMACIÓN SOBRE LA MÁQUINA

Uso previsto

Esta herramienta es apta para cortar varios tipos de baldosas y azulejos, para pared y suelos, de 500x500x35 mm de tamaño máximo. El disco

diamantado puede ser reemplazado por el usuario. No está permitido usar la herramienta para ningún otro material.

ESPECIFICACIONES TÉCNICAS

Modelo n.º	TC502AC
Voltaje	230 V~ / 50 Hz
Potencia nominal	300 W S1 / 600 W S6 15%
Velocidad del disco de corte en vacío	2990/min
Profundidad máx. de corte a 90°	34 mm
Profundidad máx. de corte a 45°	18 mm
Ángulo de corte	0-45°
Diámetro disco de corte	Ø180 mm x Ø 22,2 mm
Espesor disco de corte	2,2 mm
Dimensiones de la mesa	360 x 330 mm
Grado de protección IP	IP44
L _{PA} (nivel de presión sonora)	87 dB(A), K= 3 dB(A)
L _{WA} (nivel de potencia sonora)	100 dB(A), K= 3 dB(A)

DESCRIPCIÓN

Los números del texto se refieren a los diagramas de las páginas 2-6.

1. Mesa de corte
2. Disco de corte
3. Guía
4. Bandeja de agua
5. Perilla de ajuste de bisel
6. Interruptor de encendido/apagado
7. Perilla de la guía
8. Regla de medición
9. Tornillos del separador
10. Separador
11. Protector del disco
12. Protector inferior del disco
13. Placa del separador
14. Brida interior del disco
15. Brida exterior del disco
16. Tuerca de fijación del disco
17. Eje del motor

18. Máquina
19. Llave pequeña
20. Llave grande
21. Guía de inglete
22. Tornillos del protector inferior
23. Orificios de montaje

3. MONTAJE

Montaje del separador y del protector del disco (Fig. A, B)

- Desenrosque ligeramente los dos tornillos (9).
- Coloque el pie del separador (10) debajo de los tornillos (apenas debajo de la mesa).
- Apriete los tornillos (9).

Montaje del disco de corte (Fig. A, C)

- Retire los dos tornillos (22) del protector inferior del disco (12). Quite los tornillos como se indica en la figura C1, pero no los dos tornillos (más pequeños) de la parte inferior del protector inferior del disco.
- Retire el protector inferior del disco (12).
- Retire la tuerca (16) girándola en sentido antihorario y retire la brida exterior (15).
- Coloque el disco (2) en la brida interna. (14).
- Coloque la brida exterior (15) en el disco.
- Fije el disco sujetando la brida exterior (15) con la llave grande (20) y apretando la tuerca (16) en sentido horario con la llave pequeña (19).

Montaje de la guía ajustable (Fig. A)

- Conecte la perilla (7) con la guía (3) usando la placa (1 orificio roscado). No apriete aún del todo la perilla.
- Deslice la guía completa con las perillas (sujetadas pero apenas flojas) sobre la mesa, con las placas en el lado interno de la mesa.
- Coloque la guía (3) a la distancia deseada del disco (2).
- Apriete las perillas (7) para fijar la guía en su posición.

Montaje de la bandeja de agua (Fig. A, D)



Use siempre la bandeja de agua (4) y compruebe que el nivel de agua esté entre las marcas indicadas 'MIN' y 'MAX'.

Es esencial usar la máquina con la bandeja de agua suministrada. Es esencial usar la máquina con la bandeja de agua (4) suministrada. El agua enfría el

disco, extendiendo significativamente su vida útil. Además, el agua reduce la generación de polvo.

- Coloque la máquina sobre una superficie y coloque la bandeja de agua (4) debajo del protector inferior del disco (12).
- Asegúrese de que la bandeja de agua esté colocada correctamente. El borde de la bandeja de agua más alejado de usted debe encajar entre el protector inferior del disco (12) y la superficie metálica de la máquina.

Instalación de la cortadora de baldosas (Fig. A, D)

- La cortadora de baldosas puede utilizarse solo como una herramienta fija y debe atornillarse a una superficie nivelada y horizontal. Use los orificios de montaje (23) de la base de la máquina.
- La alimentación eléctrica debe estar conectada a una toma de pared con conexión a tierra. de 230 V~. La tensión de red debe corresponder a lo indicado en la placa de datos y debe estar protegida por un disyuntor.
- No utilice el cable de alimentación para sacar el enchufe de la toma de corriente. Proteja el cable del calor, el aceite y los objetos afilados.



Utilice solo los accesorios y equipos auxiliares mencionados en las instrucciones de uso o recomendados o mencionados por el fabricante. El uso de otros accesorios o equipos auxiliares puede suponer el riesgo de lesiones para usted y otras personas.

4. FUNCIONAMIENTO

Antes de comenzar el trabajo de corte, compruebe siempre que haya suficiente agua en la bandeja de agua. El disco diamantado debe pasar por el agua. Controle el nivel del agua durante el trabajo, para evitar que se agote inesperadamente. Lave la bandeja y reemplace el agua después de algunos cortes, para que no se contamine demasiado.



Operar (accidentalmente) la máquina sin suficiente agua puede reducir la vida útil de la máquina y desgastar rápidamente el disco.



Cortar con un disco desafilado, sin suficiente agua o con agua muy contaminada puede causar cortes ásperos y/o baldosas agrietadas/astilladas. Para obtener mejores resultados: compruebe siempre que el disco esté en buen estado y que haya suficiente agua limpia en la bandeja.

- Espere siempre a que el disco alcance la velocidad máxima antes de iniciar el corte.
- El disco diamantado NUNCA debe ser expuesto a presión lateral. ¡El disco puede romperse bajo presión lateral y los trozos proyectados pueden convertirse en proyectiles!
- No intente cortar trozos de baldosas demasiado pequeños. Asegúrese siempre de que la superficie completa del azulejo esté sobre la mesa de trabajo. La guía de ingletar incluida puede usarse para empujar los azulejos a través de la cuchilla. En las primeras fases de corte en concreto, el azulejo debe permanecer absolutamente nivelado para evitar que se incline.
- No sobrecargue la herramienta. Es mejor y más seguro trabajar dentro del intervalo de potencia indicado. No corte materiales que no sean baldosas/azulejos.
- Mantenga cuidadosamente las herramientas. Mantenga las herramientas afiladas y limpias para trabajar correctamente y con seguridad.
- Siga las instrucciones de mantenimiento y de sustitución del disco diamantado.
- Adopte una postura correcta y equilibrada. Evite cualquier ángulo antinatural del cuerpo. Tenga cuidado y esté atento a su trabajo. Use el sentido común. No use la máquina si no es capaz de concentrarse o si está cansado.
- Si es necesario cambiar el cable de alimentación, deberá hacerlo el fabricante o su representante para evitar riesgos de seguridad.

Guía ajustable de longitud completa. (Fig. A, E)

La guía (3) le permite cortar en paralelo al disco de corte.

- Afloje las perillas de la guía (7) y establezca la distancia necesaria.
- Afloje las perillas de la guía de ambos lados del disco de corte (1).
- Los marcadores determinan las medidas (8).

Guía de ingletes (Fig. A, F)

Para cortar baldosas a 45 grados, siga el mismo procedimiento que para el corte recto/paralelo, pero use la guía de inglete (21) contra la guía (3). Compruebe que la baldosa esté firmemente sujeta en la guía antes de hacer el corte.

Ajuste del ángulo de bisel (Fig. A, G)

La superficie de la mesa tiene una configuración variable del ángulo de bisel de 0° a 45°.

- Afloje las perillas de ajuste de bisel (5) de la parte delantera y trasera de la mesa. (1)
- Ajuste el ángulo de bisel inclinando la mesa (1) hacia arriba hasta alcanzar la inclinación requerida.
- Vuelva a aflojar las perillas (5) de ambos lados de la mesa.

Inspección y sustitución del disco diamantado (Fig. A y C)

- Los discos diamantados que tengan grietas o estén deformados deben cambiarse inmediatamente.
- Tipo de disco: disco diamantado de 180 mm de diámetro.
- No use discos diamantados que no cumplan las especificaciones de estas instrucciones.
- Compruebe que el disco diamantado esté debidamente ajustado y gírelo en la dirección correcta.

Sustitución del disco diamantado (Fig. C)



Desconecte la máquina de la corriente eléctrica antes de cambiar el disco.

- Extraiga la bandeja de agua (4) de la máquina.
- Afloje los pernos de fijación del protector del disco (22) y retire el protector contra salpicaduras (12).
- Desatornille la tuerca de fijación del disco (16).
- Retire la contrabrida (15) y el disco (2) y empuje el nuevo disco en la brida (14). Tenga en cuenta la dirección de rotación indicada en el disco. Colocación de la contrabrida (15).
- Apriete la tuerca de fijación (16) y monte el protector contra salpicaduras.

5. MANTENIMIENTO



Antes de realizar la limpieza y el mantenimiento, apague siempre la máquina y desenchufe el cable de alimentación.

Estas máquinas han sido diseñadas para funcionar durante un largo período de tiempo con un mantenimiento mínimo. El funcionamiento continuo satisfactorio depende del cuidado adecuado y la limpieza periódica de la máquina.

Limpieza

Mantenga limpias las ranuras de ventilación de la máquina para evitar que se recaliente el motor. Limpie periódicamente la carcasa de la máquina con un paño suave, preferentemente después de cada uso. Mantenga las ranuras de ventilación libres de polvo y suciedad. Si no puede eliminar la suciedad, use un paño suave humedecido en agua con jabón. Nunca use disolventes tales como gasolina, alcohol, amoníaco, etc. Estos disolventes pueden dañar las piezas plásticas.

Limpie siempre la herramienta inmediatamente después de usarla.

- Retire la bandeja de agua de la máquina y vacíe el agua sucia.
- Desenrosque el protector contra salpicaduras y límpielo.
- Afloje la perilla en forma de estrella, doble la mesa y limpie toda la máquina.

Mantenimiento

La máquina cumple todas las normas de seguridad actuales. Las reparaciones pueden ser realizadas solo por una empresa autorizada, pues los intentos de reparación por parte de personas no cualificadas pueden causar lesiones al usuario y a otras personas. Compruebe periódicamente el cable de alimentación y el enchufe y, si están dañados, hágalos sustituir por una empresa autorizada. Compruebe también los cables prolongadores. Los protectores e interruptores de seguridad dañados deben ser sustituidos antes de volver a utilizar la máquina.

MEDIOAMBIENTE



El símbolo del cubo de basura tachado significa que este producto no debe desecharse con los residuos domésticos no clasificados. Los equipos eléctricos y electrónicos no incluidos en el proceso de clasificación selectiva son potencialmente peligrosos para el medioambiente y la salud humana debido a la presencia de sustancias peligrosas. Deseche el producto en modo responsable en un vertedero o punto de reciclaje autorizado.

VONROC no será responsable bajo ninguna circunstancia de ningún daño incidental o consecuente. Los recursos de los distribuidores están limitados a la reparación o sustitución de las unidades o piezas no conformes.

El producto y el manual de usuario están sujetos a variaciones. Las especificaciones pueden variarse sin aviso previo.

Solo para países de la Comunidad Europea

No elimine las herramientas eléctricas como residuos domésticos. De acuerdo con la Directiva europea 2012/19/UE sobre residuos de aparatos eléctricos y electrónicos, y su transposición a las legislaciones nacionales, las herramientas eléctricas que ya no se utilizan deben recogerse por separado y eliminarse en modo ecológico.

GARANTÍA

Los productos VONROC han sido fabricados con los estándares de calidad más elevados y garantizamos que están exentos de defectos relacionados con los materiales y la mano de obra durante el período legalmente establecido a partir de la fecha de compra original. Si, durante este periodo, el producto presenta algún fallo de los materiales y/o la mano de obra, póngase en contacto directamente con VONROC.

La garantía se excluye en los siguientes casos:

- Si se han realizado o se ha intentado realizar reparaciones o alteraciones en la máquina por parte de centros de servicio no autorizados.
- Desgaste normal.
- La herramienta ha sido usada impropriamente, mal utilizada o mantenida incorrectamente.
- Si se han utilizado piezas de repuesto no originales.

Esta constituye la única garantía, expresa e implícita, ofrecida por la empresa. No existen otras garantías expresas o implícitas distintas a la especificada en el presente documento, incluidas las garantías implícitas de comerciabilidad y de adecuación a un propósito particular.

1. INSTRUÇÕES DE SEGURANÇA

Leia os avisos de segurança fornecidos, os avisos de segurança adicionais e as instruções. O não cumprimento dos avisos de segurança e das instruções pode resultar em choque eléctrico, incêndio e/ou ferimentos graves. Guarde os avisos de segurança e as instruções para referência futura.

Os seguintes símbolos são utilizados no manual do utilizador ou no equipamento:



Leia o manual do utilizador.



Indica o risco de ferimentos, morte ou danos na ferramenta se as instruções indicadas neste manual não forem seguidas.



Risco de choque eléctrico.



Durante a manutenção, e se o cabo ficar danificado, retire a ficha de imediato da tomada de rede.



Use protecção auricular.



Use protecção ocular.



Símbolo de ligação à terra. Este equipamento está classificado como classe de protecção I e deve ser ligado a uma tomada com ligação à terra.



Não elimine o equipamento em depósitos não adequados.



O produto está em conformidade com os requisitos de segurança aplicáveis

AVISOS GERAIS DE SEGURANÇA SOBRE FERRAMENTAS ELÉCTRICAS



ATENÇÃO! Leia todos os avisos de segurança e instruções. O não cumprimento dos avisos e das instruções pode causar choque eléctrico, incêndio e/ou ferimentos graves.

Guarde todos os avisos e instruções para referência futura.

O termo “ferramenta eléctrica” indicado nos avisos diz respeito à ferramenta eléctrica alimentada pela

rede de electricidade (com fio) ou à ferramenta eléctrica que funciona com baterias recarregáveis (sem fio).

1) Segurança na área de trabalho

- Mantenha a área de trabalho limpa e devidamente iluminada.** As áreas obstruídas ou escuras são propícias a acidentes.
- Não utilize ferramentas eléctricas em atmosferas explosivas, por exemplo, na presença de líquidos inflamáveis, gases ou pó.** As ferramentas eléctricas produzem faíscas que podem causar ignição de pó ou vapores.
- Quando utilizar uma ferramenta eléctrica, mantenha as crianças e transeuntes afastados.** As distrações podem causar perda de controlo.

2) Segurança eléctrica

- As fichas da ferramenta eléctrica devem corresponder à tomada. Nunca modifique, de forma alguma, a ficha. Não utilize quaisquer fichas adaptadoras com ferramentas eléctricas ligadas à terra (massa).** As fichas e tomadas correspondentes não modificadas reduzem o risco de choque eléctrico.
- Evite o contacto do corpo com superfícies ligadas à terra ou massa, como tubos, radiadores, fogões ou frigoríficos.** Há maior risco de choque eléctrico se o corpo estiver ligado à terra ou à massa.
- Não exponha as ferramentas eléctricas à chuva ou a ambientes húmidos.** A entrada de água numa ferramenta eléctrica aumenta o risco de choque eléctrico.
- Não utilize o cabo de maneira abusiva. Nunca utilize o cabo para transportar, puxar ou desligar a ferramenta eléctrica. Mantenha o cabo afastado de fontes de calor, óleo, extremidades afiadas ou peças móveis.** Se os cabos estiverem danificados ou enrolados, há maior risco de choque eléctrico.
- Quando utilizar uma ferramenta eléctrica no exterior, opte por uma extensão adequada para utilização no exterior.** A utilização de um cabo adequado para utilização no exterior reduz o risco de choque eléctrico.
- Se não for possível evitar trabalhar com uma ferramenta eléctrica num local húmido, utilize uma fonte de alimentação protegida por um dispositivo diferencial residual (DDR).**

A utilização de um DDR reduz o risco de choque eléctrico.

3) Segurança eléctrica

- a) **Esteja atento, preste atenção ao que está a fazer e tenha bom senso quando utilizar uma ferramenta eléctrica. Não utilize uma ferramenta eléctrica se estiver cansado ou sob o efeito de drogas, álcool ou medicamentos.** Um momento de distração durante a utilização de ferramentas eléctricas pode resultar em ferimentos graves.
- b) **Use equipamento de protecção individual. Use sempre protecção ocular.** O equipamento de protecção, como, por exemplo, máscara de poeiras, sapatos de segurança antiderrapantes, capacete de segurança ou protecção auditiva, utilizado nas condições adequadas, reduz o risco de ferimentos.
- c) **Evite accionamentos acidentais. Assegure-se de que o interruptor está desligado antes de ligar a ferramenta à corrente eléctrica e/ou as baterias e antes de levantar ou transportar a ferramenta.** O transporte de ferramentas eléctricas com o dedo colocado no interruptor ou a ligação à corrente das ferramentas eléctricas com o interruptor ligado pode dar origem a acidentes.
- d) **Retire eventuais chaves de ajuste ou chaves de fendas antes de ligar a ferramenta eléctrica.** Uma chave de fenda ou de ajuste montada numa peça rotativa da ferramenta eléctrica pode causar ferimentos.
- e) **Não tente chegar a pontos fora do alcance. Mantenha-se sempre numa posição firme e bem equilibrada.** Desta forma, é mais fácil controlar a ferramenta eléctrica em situações inesperadas.
- f) **Use vestuário adequado. Não use roupa larga ou jóias. Mantenha o cabelo, a roupa e as jóias afastados das peças móveis.** As roupas largas, as jóias ou o cabelo comprido podem ficar presos nestas peças.
- g) **Se for prevista a montagem de dispositivos de extracção e recolha de pó, assegure-se de que estão ligados e que são utilizados de forma correcta.** A utilização de dispositivos de extracção de pó pode reduzir os riscos inerentes.
- h) **Não permita que a familiaridade obtida através do uso frequente de ferramentas faça com que**

seja complacente e ignore os princípios de segurança da ferramenta. Uma acção irreflectida pode causar ferimentos graves numa fracção de segundos.

4) Utilização e cuidados a ter com a ferramenta com baterias

- a) **Não sobrecarregue a ferramenta eléctrica. Utilize a ferramenta eléctrica correcta para o seu trabalho.** A ferramenta eléctrica adequada efectua o trabalho de maneira mais eficiente e segura se for utilizada de acordo com a capacidade para a qual foi concebida.
- b) **Não utilize a ferramenta eléctrica se não conseguir ligar ou desligar o interruptor.** Qualquer ferramenta eléctrica que não possa ser controlada através do interruptor é perigosa e deve ser reparada.
- c) **Retire a ficha da fonte de alimentação e/ou a bateria da ferramenta eléctrica antes de efectuar quaisquer ajustes, substituir acessórios ou guardar ferramentas eléctricas.** Estas medidas de segurança preventivas reduzem o risco de ligar a ferramenta eléctrica acidentalmente.
- d) **Mantenha as ferramentas eléctricas que não estiverem a ser utilizadas fora do alcance das crianças. Não permita que a ferramenta eléctrica seja utilizada por pessoas não familiarizadas com a mesma ou que não tenham lido estas instruções.** As ferramentas eléctricas são perigosas nas mãos de pessoas que não possuam as qualificações necessárias para manuseá-las.
- e) **Faça a manutenção das ferramentas eléctricas. Verifique se as peças móveis da ferramenta eléctrica estão alinhadas e não emperram, bem como se existem peças partidas ou danificadas ou quaisquer outras condições que possam afectar o funcionamento da mesma. Se a ferramenta eléctrica estiver danificada, esta só deve ser utilizada depois de ser reparada.** Muitos acidentes têm como principal causa ferramentas eléctricas com uma manutenção insuficiente.
- f) **Mantenha as ferramentas de corte afiadas e limpas.** As ferramentas de corte sujeitas a uma manutenção adequada, com arestas de corte afiadas, bloqueiam com menos frequência e controlam-se com maior facilidade.

- g) **Utilize a ferramenta eléctrica, os acessórios e as peças de ferramenta, etc., de acordo com estas instruções, considerando as condições de trabalho e a tarefa a ser executada.**

A utilização da ferramenta eléctrica para fins diferentes dos previstos pode resultar em situações perigosas.

- h) **Mantenha as pegas e as superfícies de fixação secas, limpas e sem óleo e gordura.** As pegas e as superfícies de fixação não permitem o manuseamento e o controlo seguros da ferramenta em situações inesperadas.

5) Assistência

- a) **A sua ferramenta eléctrica só deve ser reparada por pessoal qualificado e só devem ser utilizadas peças sobresselentes idênticas.**

Desta forma, é garantida a segurança da ferramenta eléctrica.

INSTRUÇÕES DE SEGURANÇA ADICIONAIS SOBRE O CORTADOR DE AZULEJOS

- Verifique se a ferramenta eléctrica apresenta danos antes de iniciar o trabalho, em especial a lâmina de diamante. Todas as peças devem ser encaixadas correctamente e devem cumprir todos os requisitos para garantir o bom funcionamento da ferramenta. Antes de continuar a utilizar a ferramenta, deve verificar se os dispositivos de segurança ou peças com danos ligeiros continuam a funcionar correctamente. As peças móveis, e a protecção com lâmina de diamante em particular, devem ser montadas correctamente e não devem encravar. Não utilize ferramentas que não possam ser ligadas ou desligadas com o interruptor.
- A protecção com lâmina de diamante não deve ficar encravada nem ser retirada.
- Se a protecção ficar encravada, deve ser reparada de imediato.
- A lâmina separadora não deve ser retirada.

Antes de utilizar a máquina:

- Verifique o seguinte:
 - *A tensão nominal do esmerilador de bancada corresponde à da fonte de alimentação?*
 - *O cabo de alimentação e a ficha estão em boas condições (robustos, sem sinais de desgaste ou outros danos)?*

- Use óculos de segurança.
- Use uma máscara de poeiras.

Quando utilizar a máquina

- Verifique se o interruptor NÃO está na posição “ON/1” antes de ligar a máquina na fonte de alimentação.
- Mantenha sempre o cabo de alimentação afastado das peças móveis da máquina.

Desligue a máquina de imediato se:

- A ficha ou o cabo de alimentação estiverem defeituosos ou danificados.
- O interruptor apresentar defeitos.
- Sentir o cheiro de fumo ou isolamento queimado.

Segurança eléctrica

Quando utilizar máquinas eléctricas, respeite sempre os regulamentos de segurança aplicáveis ao seu país para reduzir o risco de incêndio, choque eléctrico e ferimentos. Leia as seguintes instruções de segurança.



Verifique sempre se a tensão da fonte de alimentação corresponde à tensão indicada na etiqueta da placa sinalética.



Aviso! *É necessária uma tomada eléctrica com ligação à terra para utilizar esta máquina em segurança. Não ligue a máquina a tomadas eléctricas sem ligação à terra.*

Utilizar extensões

Utilize apenas as extensões aprovadas que sejam adequadas para a entrada de alimentação da máquina. A espessura mínima do condutor é de 1,5 mm². Quando utilizar um enrolador de cabos, desenrole sempre o enrolador por completo. Não utilize extensões sem ligação à terra danificadas.

2. INFORMAÇÕES SOBRE A MÁQUINA

Utilização pretendida

Esta ferramenta é adequada para cortar vários azulejos de parede e chão com um tamanho máximo de 500 x 500 x 35 mm. O disco de diamante pode ser substituído pelo utilizador. Não é permitido utilizar a ferramenta para outros tipos de materiais.

ESPECIFICAÇÕES TÉCNICAS

Modelo n.º	TC502AC
Tensão	230 V/50 Hz
Potência nominal	300 W, S1/600 W, S6, 15%
Velocidade sem carga do disco de corte	2990/min
Profundidade máx. de corte a 90°	34 mm
Profundidade máx. de corte a 45°	18 mm
Corte em ângulo	0 a 45°
Diâmetro do disco de corte	Ø 180 mm x Ø 22,2 mm
Espessura do disco de corte	2,2 mm
Dimensões da mesa	360 x 330 mm
Classificação IP	IP44
L _{WA} (nível de pressão sonora)	87 dB(A), K = 3 dB(A)
L _{WA} (nível de potência sonora)	100 dB(A), K = 3 dB(A)

DESCRIÇÃO

Os números indicados no texto dizem respeito aos diagramas nas páginas 2 e 6.

1. Bancada de corte
2. Lâmina de corte
3. Protecção
4. Bandeja de água
5. Botão de regulação de bisel
6. Interruptor para ligar/desligar
7. Botão da guia
8. Régua de medição
9. Parafusos da lâmina separadora
10. Lâmina separadora
11. Protecção da lâmina
12. Protecção inferior da lâmina
13. Placa da lâmina separadora
14. Flange da lâmina interior
15. Flange da lâmina exterior
16. Porca de fixação da lâmina
17. Eixo do motor
18. Informações
19. Chave pequena
20. Chave grande
21. Régua de esquadria

22. Parafusos de protecção mais pequenos

23. Orifícios de montagem

3. MONTAGEM

Montar a lâmina separadora e a protecção da lâmina (Fig. A, B)

- Desaperte os dois parafusos (9) ligeiramente.
- Coloque a base da lâmina separadora (10) debaixo dos parafusos (e ligeiramente debaixo da mesa).
- Aperte os parafusos (9).

Montar a lâmina de corte (Fig. A, C)

- Retire os dois parafusos (22) da protecção inferior da lâmina (12). Retire os parafusos, conforme indicado na Figura C1, e não os dois parafusos (mais pequenos) na parte inferior da protecção inferior da lâmina.
- Retire a protecção inferior da lâmina (12).
- Retire a porca (16) rodando-a no sentido contrário aos ponteiros do relógio e retire a flange externa (15).
- Coloque a lâmina (2) na flange interna (14).
- Coloque a flange externa (15) na lâmina.
- Fixe a lâmina, segurando a flange externa (15) com a chave grande (20) e apertando a porca (16) no sentido dos ponteiros do relógio com a chave pequena (19).

Montar a protecção ajustável (Fig. A)

- Ligue o botão (7) na protecção (3) utilizando a placa (1 furo com rosca). Não aperte o botão por completo.
- Deslize a protecção completa com os botões (apertados ligeiramente) sobre a mesa; as placas do lado interno da mesa.
- Posicione a protecção (3) à distância pretendida da lâmina (2).
- Aperte os botões (7) para fixar a protecção no respectivo local.

Montar a bandeja de água (Fig. A, D)



Utilize sempre a bandeja de água (4) e certifique-se de que o nível de água se situa entre as marcas MÍN. e MÁX. indicadas.

É essencial utilizar a máquina com a bandeja de água fornecida. É essencial utilizar a máquina com a bandeja de água (4) fornecida. A água

arrefece a lâmina, prolongando consideravelmente a respectiva vida útil. Além disso, a água reduz a produção de pó.



Cortar com uma lâmina romba, sem água suficiente ou com água muito contaminada pode resultar em cortes ásperos e/ou azulejos rachados/lascados. Para obter os melhores resultados: verifique sempre se a lâmina está em bom estado e se há água limpa suficiente na bandeja.

- Coloque a máquina sobre uma superfície e posicione a bandeja de água (4) debaixo da protecção inferior da lâmina (12).
- A bandeja de água deve ser colocada correctamente: a extremidade da bandeja de água mais afastada de si deve encaixar entre a protecção inferior da lâmina (12) e a superfície metálica da máquina.

Instalar o cortador de azulejos (Fig. A, D)

- O cortador de azulejos só pode ser utilizado como uma ferramenta fixa e deve ser aparafusado numa superfície nivelada e horizontal. Utilize os furos de montagem (23) na base da máquina.
- A alimentação eléctrica deve ser ligada a uma tomada eléctrica com ligação à terra de cerca de 230 V. A tensão da rede eléctrica deve estar de acordo com as informações na placa de identificação e deve ser protegida por um disjuntor.
- Não utilize o cabo de alimentação para puxar a ficha da tomada de parede. Proteja o cabo do calor, óleo e objectos afiados.



Utilize apenas os acessórios e equipamentos auxiliares indicados nas instruções de utilização ou recomendados ou referidos pelo fabricante. A utilização de outros acessórios ou equipamentos auxiliares pode causar ferimentos a si e a outras pessoas.

4. FUNCIONAMENTO

Antes de iniciar o trabalho de corte, verifique sempre se há água suficiente na bandeja de água. Em seguida, passe a lâmina de diamante por água. Esteja atento ao nível da água durante o trabalho para que não esgote de maneira inesperada. Enxágue e substitua a água após algumas cortes, para que não fique demasiado contaminada.



A utilização (involuntária) da máquina sem água suficiente pode reduzir a vida útil e tornar a lâmina romba rapidamente.

- Aguarde até a lâmina atingir a velocidade máxima de rotação antes de iniciar o corte.
- A lâmina de diamante NUNCA deve ser exposta a pressão lateral. A lâmina pode partir-se se for sujeita a pressão lateral e os pedaços podem ser projectados!
- Não tente cortar peças demasiado pequenas a partir dos azulejos. Certifique-se sempre de que toda a superfície do azulejo fica colocada sobre a mesa de trabalho. A régua de esquadria fornecida pode ser utilizada para avançar os azulejos na direcção do dispositivo de corte. Nas fases iniciais de corte, em especial, o azulejo deve ficar totalmente nivelado para evitar que o azulejo se desloque para cima.
- Não sobrecarregue a ferramenta. É melhor e mais seguro trabalhar de acordo com a gama de potências indicadas. Não corte materiais que não sejam azulejos.
- Efectue a manutenção das suas ferramentas com cuidado. Mantenha as ferramentas afiadas e limpas para trabalhar de maneira adequada e em segurança.
- Siga as instruções de manutenção e de substituição da lâmina de diamante.
- Coloque-se de maneira segura e mantenha o equilíbrio. Evite colocar o corpo em qualquer posição invulgar. Esteja atento e preste atenção quando estiver a trabalhar. Tenha bom senso. Não utilize a máquina quando não conseguir concentrar-se ou se estiver cansado.
- Se for necessário substituir o cabo de alimentação, isto deve ser efectuado pelo fabricante ou pelo respectivo técnico para evitar situações de risco.

Protecção ajustável de comprimento total (Fig. A, E)

A protecção (3) permite-lhe fazer cortes paralelos em relação à lâmina de corte. Desaperte os botões da protecção (7) e regule para a distância pretendida.

- Aperte os botões da protecção em ambos os lados da mesa de corte (1).
- As marcas determinam as medições (8).

Régua de esquadria (Fig. A, F)

Siga este procedimento para um corte recto/ paralelo, mas utilize a régua de esquadria (21) encostada na protecção (3) para cortes de azulejos a 45 graus. O azulejo deve estar fixado com firmeza na guia antes de efectuar o corte.

Regulação do ângulo de bisel (Fig. A, G)

A superfície da mesa tem uma configuração variável entre 0° e 45° de inclinação.

- Desaperte os botões de regulação de inclinação (5) no lado dianteiro e traseiro da mesa (1)
- Regule o ângulo de bisel, inclinando a mesa (1) para cima até atingir a inclinação desejada.
- Aperte novamente os botões (5) em ambos os lados da mesa.

Inspeccionar e substituir a lâmina de diamante (Fig. A, C)

- As lâminas de diamante rachadas ou distorcidas devem ser substituídas de imediato.
- Tipo de disco: uma lâmina de corte de diamante com 180 mm de diâmetro.
- Não utilize lâminas que não estejam de acordo com as especificações indicadas nestas instruções.
- A lâmina de diamante deve estar fixada correctamente e rodar na direcção correcta.

Substituir a lâmina de diamante (Fig. C)



Desligue a máquina da corrente eléctrica antes de substituir a lâmina

- Retire a bandeja de água (4) da máquina.
- Desaperte os parafusos de fixação da protecção da lâmina (22) e retire a protecção contra salpicos (12).
- Desaperte a porca de fixação da lâmina (16).
- Retire a contra-flange (15) e a lâmina (2) e coloque a nova lâmina na flange (14). Tenha em atenção o sentido de rotação indicado na lâmina. Fixe a contra-flange (15).
- Aperte a porca de fixação (16) e monte a protecção contra salpicos.

5. MANUTENÇÃO



Antes de efectuar a limpeza e a manutenção, desligue sempre a máquina e retire o cabo de alimentação.

As máquinas foram concebidas para funcionar durante um longo período de tempo com uma manutenção mínima. Um funcionamento satisfatório contínuo depende de uma manutenção adequada da máquina e de limpeza frequente.

Limpeza

Mantenha as aberturas de ventilação da máquina limpas para evitar o sobreaquecimento do motor. Limpe a caixa da máquina com regularidade com um pano macio, de preferência após cada utilização. Limpe a sujidade e o pó das aberturas de ventilação. Se a sujidade não sair, utilize um pano macio humedecido com água com sabão. Não utilize solventes, como gasolina, álcool, amoníaco, água, etc. Estes solventes podem danificar as peças de plástico.

Limpe sempre a ferramenta de imediato após a utilização.

- Retire a bandeja de água da máquina e esvazie a água suja.
- Desaparafuse a protecção contra salpicos e limpe-a.
- Desaperte o botão em forma de estrela, dobre a mesa para cima e efectue o polimento de toda a máquina.

Manutenção

A máquina está em conformidade com todos os regulamentos de segurança em vigor. As reparações só podem ser efectuadas por uma empresa autorizada, porque as tentativas de reparação por pessoas não qualificadas podem causar ferimentos no utilizador e em quem estiver por perto. Verifique com frequência o cabo de alimentação e a ficha; se estiverem danificados, devem ser substituídos por uma empresa autorizada. Verifique também as extensões. As protecções de segurança e interruptores danificados devem ser substituídos antes da máquina ser utilizada novamente.

AMBIENTE



O símbolo de caixote do lixo com uma cruz sobreposta significa que este produto não deve ser eliminado em conjunto com lixo doméstico normal. O equipamento electrónico e eléctrico não incluído no processo de triagem selectiva é potencialmente perigoso para o ambiente e para a saúde humana devido à presença de substâncias perigosas. Elimine-o de maneira responsável numa unidade aprovada de reciclagem ou resíduos.

que se prolonguem, incluindo as garantias implícitas de comercialização e adequação para fins específicos. A VONROC não será, em nenhuma circunstância, responsável por danos incidentais ou indirectos. Os fornecedores devem estar limitados a reparar ou substituir as unidades ou peças que não estejam em conformidade.

O equipamento e o manual do utilizador estão sujeitos a alterações sem aviso prévio. As especificações podem ser alteradas sem aviso prévio.

Apenas para os países da CE

Não elimine as ferramentas eléctricas em conjunto com os resíduos domésticos. De acordo com a directiva europeia 2012/19/UE sobre resíduos de equipamentos eléctricos e electrónicos e a respectiva implementação na legislação nacional, as ferramentas eléctricas que já não sejam utilizadas devem ser recolhidas em separado e eliminadas de maneira ecológica.

GARANTIA

Os produtos da VONROC são desenvolvidos de acordo com os padrões de qualidade mais elevados e não têm quaisquer defeitos em termos de materiais e mão-de-obra em relação ao período estipulado por lei, cujo início é a partir da data de compra original. Se o equipamento apresentar qualquer falha durante este período devido a qualquer defeito no material e/ou de mão-de-obra, contacte a VONROC directamente.

As seguintes circunstâncias estão excluídas desta garantia:

- Se forem efectuadas ou tentadas quaisquer reparações e/ou alterações na máquina por centros de assistência não autorizados;
- Desgaste normal;
- Se a ferramenta foi utilizada de maneira abusiva, indevida ou a manutenção for efectuada de maneira incorrecta;
- Se forem utilizadas peças sobresselentes não originais.

Isto constitui a única garantia feita pela empresa, de maneira expressa ou implícita. Não existem quaisquer outras garantias expressas ou implícitas

1. ISTRUZIONI DI SICUREZZA

Leggere le avvertenze di sicurezza allegate, le avvertenze di sicurezza aggiuntive e le istruzioni contenute in questo manuale. Il mancato rispetto delle avvertenze e istruzioni di sicurezza potrebbe dar luogo a scosse elettriche, incendi e/o lesioni personali gravi. Conservare le avvertenze di sicurezza e le istruzioni per riferimenti futuri.

I simboli riportati di seguito vengono utilizzati all'interno del manuale d'uso oppure sono indicati sul prodotto:



Leggere il manuale d'uso.



Denota il rischio di lesioni personali, morte o danni all'elettrotensile in caso di mancata osservanza delle istruzioni contenute in questo manuale.



Rischio di scosse elettriche.



Scollegare immediatamente la spina dalla rete elettrica nel caso in cui il cavo venga danneggiato e durante la manutenzione.



Indossare dispositivi di protezione per l'udito.



Indossare occhiali di sicurezza.



Simbolo di messa a terra. Questo apparecchio rientra nella classe di protezione I e deve essere collegato a una presa di corrente dotata di messa a terra.



Non smaltire il prodotto in contenitori non idonei.



Questo prodotto è conforme alle norme di sicurezza applicabili

AVVERTENZE DI SICUREZZA GENERALI RIGUARDANTI GLI ELETTROTENSILI



AVVERTENZA! Leggere tutte le avvertenze di sicurezza e tutte le istruzioni. La mancata osservanza delle avvertenze e delle istruzioni può dar luogo a scosse elettriche, incendi e/o lesioni personali gravi.

Conservare tutte le avvertenze e le istruzioni per riferimenti futuri.

Il termine "elettrotensile" che ricorre nelle avvertenze si riferisce a un dispositivo alimentato tramite la rete elettrica (con cavo) o a batteria (cordless).

1) Sicurezza dell'area di lavoro

- a) **Mantenere l'area di lavoro pulita e ben illuminata.** Gli ambienti disordinati o scarsamente illuminati favoriscono gli incidenti.
- b) **Evitare di usare gli elettrotensili in ambienti esposti al rischio di esplosione, come ad esempio in presenza di liquidi, gas o polveri infiammabili.** Gli elettrotensili generano scintille che possono incendiare polveri o fumi.
- c) **Durante l'uso dell'elettrotensile tenere a debita distanza bambini e altre persone presenti.** Le distrazioni possono causare la perdita di controllo.

2) Sicurezza elettrica

- a) **La spina di un elettrotensile deve essere adatta alla presa di corrente. Non modificare la spina in alcun modo. Non utilizzare spine con adattatore per un elettrotensile dotato di messa a terra.** Per ridurre il rischio di scosse elettriche evitare di modificare le spine e utilizzare sempre prese di corrente appropriate.
- b) **Evitare il contatto fisico con superfici collegate a terra, come tubi, radiatori, forni e frigoriferi.** Se il corpo dell'operatore è collegato a terra, il rischio di scosse elettriche aumenta.
- c) **Non esporre gli elettrotensili alla pioggia o all'umidità.** Se dovesse penetrare dell'acqua all'interno dell'elettrotensile, il rischio di scosse elettriche aumenta.
- d) **Non utilizzare il cavo di alimentazione in modo improprio. Non spostare, tirare o scollegare mai l'elettrotensile dalla presa di corrente tirandolo dal cavo. Tenere il cavo di alimentazione lontano da fonti di calore, olio, bordi taglienti o parti in movimento.** Se il cavo di alimentazione è danneggiato o impigliato il rischio di scosse elettriche aumenta.
- e) **Quando l'elettrotensile viene usato all'aperto, utilizzare unicamente prolunghie omologate per l'impiego all'esterno.** L'uso di un cavo idoneo per esterni riduce il rischio di scosse elettriche.
- f) **Se non è possibile evitare di utilizzare un elettrotensile in una zona umida, collegarsi**

a una rete elettrica protetta da un interruttore differenziale salvavita (RCD). L'uso di un RCD riduce il rischio di scosse elettriche.

3) Sicurezza personale

- a) **Quando si utilizza un elettro utensile evitare di distrarsi. È importante concentrarsi su quello che si sta facendo e usare il buon senso. Non utilizzare l'elettro utensile quando si è stanchi o sotto l'effetto di sostanze stupefacenti, alcol o medicinali.** Un solo attimo di distrazione durante l'uso di un elettro utensile potrebbe provocare gravi lesioni personali.
- b) **Indossare dispositivi di protezione individuale. Indossare sempre occhiali di sicurezza.** L'impiego di dispositivi di protezione individuale, quali mascherine antipolvere, calzature antinfortunistiche antiscivolo, elmetti di sicurezza o protezioni per l'udito, nelle condizioni opportune, consente di ridurre le lesioni personali.
- c) **Prevenire l'avvio accidentale. Accertarsi che l'interruttore sia nella posizione di spegnimento, prima di collegare un elettro utensile alla rete elettrica e/o alla batteria, di prenderlo in mano o di trasportarlo.** Per non esporsi al rischio di incidenti, non trasportare un elettro utensile tenendo le dita sull'interruttore di accensione/spengimento e non collegarlo a una fonte di alimentazione elettrica con l'interruttore in posizione di accensione.
- d) **Prima di accendere l'elettro utensile rimuovere eventuali chiavi o attrezzi di regolazione.** Un attrezzo di regolazione o una chiave inseriti in una parte rotante dell'elettro utensile possono provocare lesioni personali.
- e) **Non sbilanciarsi. Mantenere sempre un appoggio e un equilibrio adeguati.** In tal modo è possibile mantenere un migliore controllo dell'elettro utensile nelle situazioni impreviste.
- f) **Indossare indumenti adeguati. Non indossare abiti non aderenti o gioielli. Tenere i capelli, gli indumenti e i guanti lontano dalle parti mobili.** Abiti non aderenti al corpo, gioielli o capelli lunghi possono impigliarsi nelle parti in movimento.
- g) **Se gli elettro utensili sono provvisti di attacchi per il collegamento di dispositivi di aspirazione o di raccolta delle polveri, assicurarsi che essi siano installati e utilizzati correttamente.**

L'impiego di dispositivi di aspirazione delle polveri può ridurre i pericoli legati alle stesse.

- h) **Non lasciare che la dimestichezza acquisita dall'uso frequente di elettro utensili induca l'operatore ad assumere comportamenti imprudenti e a ignorare i principi di sicurezza per l'elettro utensile.** Una semplice distrazione può provocare gravi lesioni personali in una frazione di secondo.
- ### 4) Uso e cura dell'elettro utensile
- a) **Non forzare l'elettro utensile. Utilizzare l'elettro utensile corretto per il lavoro da svolgere.** L'elettro utensile corretto funziona meglio e in modo più sicuro, se utilizzato alla velocità per cui è stato progettato.
 - b) **Non utilizzare l'elettro utensile se il rispettivo interruttore di accensione/spengimento non funziona.** Qualsiasi elettro utensile che non possa essere controllato tramite l'interruttore di accensione/spengimento è pericoloso e deve essere riparato.
 - c) **Scollegare la spina dalla presa di corrente e/o il pacco batteria dall'elettro utensile prima di effettuare qualsiasi tipo di regolazione, cambiare gli accessori o ripararlo.** Queste misure di sicurezza preventive riducono il rischio di azionare accidentalmente l'elettro utensile.
 - d) **Quando non vengono usati, gli elettro utensili devono essere custoditi fuori dalla portata dei bambini. Non consentire l'uso dell'elettro utensile a persone inesperte o che non abbiano letto queste istruzioni.** Gli elettro utensili sono pericolosi in mano a persone inesperte.
 - e) **Sottoporre gli elettro utensili a regolare manutenzione. Verificare che le parti mobili siano correttamente allineate e non inceppate, che non vi siano componenti rotti e che non sussistano altre condizioni che possono compromettere il funzionamento dell'elettro utensile. Se l'elettro utensile è danneggiato farlo riparare prima dell'uso.** Molti incidenti sono provocati da elettro utensili non sottoposti a una corretta manutenzione.
 - f) **Mantenere affilati e puliti gli utensili da taglio.** La manutenzione corretta degli utensili da taglio con bordi affilati riduce le probabilità di inceppamento e ne facilita il controllo.
 - g) **Utilizzare l'elettro utensile, gli accessori, le punte, ecc. in conformità a queste istruzioni,**

tenendo conto delle condizioni operative e del lavoro da eseguire. L'utilizzo dell'elettrotensile per impieghi diversi da quelli previsti può dare luogo a situazioni di pericolo.

- h) **Mantenere le impugnature e le superfici di presa asciutte, pulite e libere da olio e grasso.** Impugnature e superfici di presa scivolose non consentono di maneggiare e controllare l'elettrotensile in sicurezza nelle situazioni impreviste.

5) Assistenza

- a) **L'assistenza per l'elettrotensile deve essere prestata da un tecnico qualificato che utilizzi soltanto ricambi originali.** In tal modo viene garantita la sua sicurezza.

ISTRUZIONI DI SICUREZZA AGGIUNTIVE RIGUARDANTI LA TAGLIAPIASTRELLE

- Prima di iniziare a lavorare verificare se l'elettrotensile presenti dei danni, in particolare per quanto riguarda la lama diamantata. Tutte le parti devono essere montate in modo adeguato e devono soddisfare tutti i requisiti per garantire il funzionamento impeccabile dell'elettrotensile. In presenza di dispositivi di sicurezza o altri componenti leggermente danneggiati appurare che funzionino correttamente prima di continuare ad utilizzare l'elettrotensile. Le parti in movimento, e in particolare il paralama, devono essere montate in modo adeguato e non devono incepparsi. Non utilizzare elettrotensili che non possano essere accesi o spenti mediante l'interruttore.
- Il paralama della lama diamantata non deve essere inceppato né essere stato rimosso.
- Se il paralama è inceppato deve essere riparato immediatamente.
- Il coltello divisore non deve essere rimosso.

Operazioni preliminari all'avvio della macchina

- Controllare quanto segue:
 - *che la tensione nominale della tagliapiastrelle corrisponda a quella della rete elettrica;*
 - *che il cavo di alimentazione e la spina siano in buone condizioni (che siano integri, senza sfilacciamenti o altri segni di danneggiamento);*

- che l'operatore indossi degli occhiali di sicurezza;
- che l'operatore indossi una mascherina antipolvere.

Ogni volta che si utilizza la macchina

- Prima di collegare la macchina alla presa di corrente, controllare che l'interruttore di accensione/spengimento NON sia nella posizione "ON/1".
- Mantenere sempre il cavo di alimentazione lontano dalle parti mobili della macchina.

Spegnerne immediatamente l'elettrotensile nei seguenti casi:

- se il cavo di alimentazione o la spina sono difettosi o danneggiati;
- se l'interruttore di accensione/spengimento è difettoso.
- se si avverte puzza di fumo o l'odore caratteristico dell'isolamento di cavi elettrici bruciato.

Sicurezza elettrica

Quando si utilizzano apparecchi elettrici, osservare sempre le norme di sicurezza vigenti nel proprio Paese al fine di ridurre il rischio che si verifichino scosse elettriche e lesioni personali. Leggere le seguenti istruzioni di sicurezza.



Controllare sempre che la tensione di alimentazione corrisponda alla tensione sulla targhetta dei valori nominali.



Avvertenza! *Per un funzionamento sicuro della macchina è necessario disporre di una presa di corrente con messa a terra. Non collegare la macchina a prese di corrente non collegate a terra.*

Utilizzo di cavi di prolunga

Utilizzare esclusivamente un cavo di prolunga omologato adatto per la potenza nominale dell'elettrotensile. La dimensione minima dei conduttori consentita è di 1,5 mm². Quando si utilizza un avvolgicavo, srotolare sempre tutto il cavo. Non utilizzare cavi di prolunga senza messa a terra.

2. INFORMAZIONI RIGUARDANTI IL PRODOTTO

Uso previsto

Questa macchina è indicata per il taglio di vari tipi di piastrelle per pavimenti e rivestimenti, con un formato massimo di 500x500x35 mm. La lama diamantata può essere sostituita dall'operatore. Non è consentito l'utilizzo dell'elettrotensile per tagliare altri materiali.

DATI TECNICI

Codice modello	TC502AC
Tensione	230V~ / 50 Hz
Potenza nominale	300 W S1 / 600 W S6 15%
Velocità di rotazione lama a vuoto	2990 giri/min
Profondità di taglio massima a 90°	34 mm
Profondità di taglio massima a 45°	18 mm
Inclinazione taglio	0-45°
Diametro lama	Ø180 mm x Ø22,2 mm
Spessore lama	2,2 mm
Dimensioni del piano di taglio	360 x 330 mm
Classificazione IP	IP44
L _{PA} (livello di pressione sonora)	87 dB(A), K = 3 dB(A)
L _{WA} (livello di potenza sonora)	100 dB(A), K = 3 dB(A)

DESCRIZIONE

I numeri che compaiono nel testo si riferiscono alle figure riportate alle pagine 2-6.

1. Piano di taglio
2. Lama
3. Guida parallela
4. Vaschetta dell'acqua
5. Manopola di regolazione smusso
6. Interruttore di accensione/spengimento
7. Manopola di bloccaggio guida parallela
8. Righello di misurazione
9. Viti di fissaggio del coltello divisore

10. Coltello divisore
11. Paralama
12. Protezione inferiore della lama
13. Piastra del coltello divisore
14. Flangia interna della lama
15. Flangia esterna della lama
16. Dado di fissaggio della lama
17. Mozzo della lama
18. Corpo macchina
19. Chiave inglese piccola
20. Chiave inglese grande
21. Guida per taglio obliquo
22. Vite di fissaggio paralama
23. Fori di fissaggio

3. MONTAGGIO

Montaggio del coltello divisore e del paralama (Fig. A, B)

- Allentare leggermente le due viti (9).
- Infilare la base del coltello divisore (10) sotto le viti (e leggermente sotto il piano di taglio).
- Serrare le viti (9).

Montaggio della lama (Fig. A, C)

- Rimuovere le due viti (22) dalla protezione inferiore della lama (12). Assicurarsi di rimuovere le viti come illustrato nella Fig. C1 e non le due viti (più piccole) alla base del carter di protezione della lama inferiore.
- Rimuovere il carter di protezione inferiore della lama (12).
- Rimuovere il dado (16), ruotandolo in senso antiorario e togliere la flangia esterna della lama (15).
- Posizionare la lama (2) sulla flangia interna (14).
- Posizionare la flangia esterna (15) sulla lama.
- Fissare la lama tenendo ferma la flangia esterna (15) con la chiave inglese grande (20) e stringendo il dado (16) in senso orario con la chiave inglese piccola (19).

Montaggio della guida parallela regolabile (Fig. A)

- Collegare la manopola (7) alla guida parallela (3) tramite la piastra (1 foro con filettatura). Non serrare ancora la manopola.
- Far scorrere la guida parallela con la relativa manopola di bloccaggio (non serrata) sul piano di lavoro; le piastre si trovano sul lato interno del piano di lavoro.

- Posizionare la guida parallela (3) alla distanza desiderata dalla lama (2).
- Stringere le manopole (7) per bloccare la guida parallela in posizione.

Montaggio della vaschetta dell'acqua (Fig. A, D)



Utilizzare sempre la vaschetta dell'acqua (4) e assicurarsi che il livello dell'acqua sia compreso tra i limiti MIN e MAX marcati.

È essenziale utilizzare la macchina con la vaschetta dell'acqua in dotazione montata. È essenziale utilizzare la macchina con la vaschetta dell'acqua (4) in dotazione montata. L'acqua raffredda la lama, prolungandone sensibilmente la durata. Inoltre, essa riduce la quantità di polvere generata.

- Appoggiare la macchina su una superficie piana e collocare la vaschetta dell'acqua (4) sotto la protezione inferiore della lama (12).
- Assicurarsi che la vaschetta dell'acqua sia posizionata correttamente: il bordo della vaschetta più lontano dall'operatore deve inserirsi tra la protezione inferiore della lama (12) e la superficie metallica della macchina.

Installazione della tagliapiastre (Fig. A, D)

- La tagliapiastre può essere usata solo come attrezzatura fissa e deve essere avvitata a una superficie piana e orizzontale. Utilizzare i fori di fissaggio (23) presenti nella base della macchina.
- La macchina deve essere collegata a una presa a muro di corrente da 230 V~ con collegamento a terra. La tensione di rete deve corrispondere ai dati riportati sulla targhetta di identificazione e deve essere protetta da un interruttore automatico.
- Non tirare il cavo di alimentazione per estrarre la spina dalla presa. Proteggere il cavo di alimentazione da calore, olio e oggetti appuntiti.



Utilizzare solo accessori e dispositivi ausiliari indicati nelle istruzioni per l'uso o consigliati o menzionati dal fabbricante. L'uso di accessori o dispositivi ausiliari diversi può comportare il rischio di lesioni per l'operatore e per le altre persone.

4. USO

Prima di iniziare il lavoro di taglio, assicurarsi sempre che ci sia acqua sufficiente nella vaschetta dell'acqua. La lama diamantata deve scorrere nell'acqua. Tenere sotto controllo il livello dell'acqua durante il lavoro, per evitare che si esaurisca inaspettatamente. Sciacquare e sostituire l'acqua dopo avere eseguito alcuni tagli, per evitare che si contaminino troppo.



L'utilizzo (accidentale) della tagliapiastre con una quantità d'acqua insufficiente nella vaschetta potrebbe ridurre la durata utile della macchina e causare la rapida opacizzazione della lama.



Eseguire tagli con una lama opacizzata, senza una quantità d'acqua sufficiente o con acqua molto contaminata può provocare tagli irregolari e/o l'incrinatura o la scheggiatura delle piastrelle. Per ottenere risultati ottimali: assicurarsi sempre che la lama sia in buone condizioni e che nella vaschetta sia presente una quantità sufficiente di acqua pulita.

- Attendere che la lama abbia raggiunto la velocità di rotazione massima prima di avviare il taglio.
- La lama diamantata non deve MAI essere sottoposta a pressione laterale. La lama rischia di frantumarsi per effetto della pressione laterale e i pezzi staccati e proiettati in aria possono diventare come dei proiettili!
- Non tentare di tagliare pezzi di piastrelle piccolissimi. Fare sempre in modo che tutta la superficie della piastrella si trovi sul piano di lavoro. La guida per taglio obliquo in dotazione può essere utilizzata per spingere le piastrelle contro la lama. Nelle prime fasi di taglio, in particolare, la piastrella deve rimanere assolutamente orizzontale per evitare che la piastrella si sposti verso l'alto.
- Non sovraccaricare l'elettrotensile. È meglio e più sicuro lavorare entro la gamma di potenza indicata. Non tagliare materiali diversi dalle piastrelle.
- Eseguire in modo accurato la manutenzione dei propri utensili. Mantenere gli utensili affilati e puliti per lavorare in modo adeguato e sicuro.

- Attenersi alle istruzioni di manutenzione e alle istruzioni per la sostituzione della lama diamantata.
- Mantenere una posizione sicura e in equilibrio. Evitare qualsiasi inclinazione innaturale del corpo. Rimanere vigile e prestare attenzione al proprio lavoro. Seguire il buon senso. Non utilizzare la macchina quando non si riesce a mantenere la concentrazione o si è stanchi.
- Se è necessario provvedere alla sostituzione del cavo di alimentazione, l'operazione deve essere eseguita dal fabbricante o da un tecnico autorizzato, al fine di evitare pericoli per la sicurezza.

Guida parallela regolabile su tutta la lunghezza (Fig. A, E)

La guida (3) consente di eseguire un taglio parallelo alla lama.

- Allentare le manopole della guida (7) e stabilire la distanza desiderata.
- Serrare le manopole da entrambi i lati del piano di taglio (1).
- I contrassegni determinano le misure (8).

Guida per tagli obliqui (Fig. A, F)

Seguire la procedura descritta per l'esecuzione di un taglio dritto/parallelo, ma usare la guida per tagli obliqui (21) contro la guida parallela (3) per tagliare le piastrelle con un taglio a 45°. Assicurarsi che la piastrella sia tenuta saldamente all'interno della guida prima di eseguire il taglio.

Regolazione dell'angolo di smusso (Fig. A, G)

L'inclinazione del piano di taglio è regolabile per ottenere angoli di smusso da 0° a 45°.

- Allentare le manopole di regolazione dello smusso (5) sul lato anteriore e posteriore del piano di taglio (1).
- Impostare l'angolo di smusso inclinando il tavolo (1) verso l'alto fino a raggiungere l'inclinazione desiderata.
- Serrare di nuovo le manopole (5) su entrambi i lati del piano.

Ispezione e sostituzione della lama diamantata (Fig. A, C)

- Le lame diamantate che presentano incrinature o sono deformate devono essere sostituite immediatamente.

- Tipo di disco da taglio: lama diamantata con un diametro di 180 mm.
- Non usare lame diamantate non conformi alle specifiche riportate in questo manuale di istruzioni.
- Assicurarsi che la lama diamantata sia fissata in modo adeguato e che ruoti nella direzione corretta.

Sostituzione della lama diamantata (Fig. C)



Scollegare la tagliapiastrelle dalla rete elettrica prima di sostituire la lama.

- Rimuovere la vaschetta dell'acqua (4) dalla macchina.
- Allentare le viti di fissaggio del paralama (22) e rimuovere il paraspruzzi (12).
- Allentare il dado di fissaggio della lama (16).
- Rimuovere la controflangia (15) e la lama (2) e montare la nuova lama sulla flangia (14). Tenere conto del senso di rotazione indicato sulla lama. Montare la controflangia (15).
- Serrare il dado di fissaggio (16) e montare il paraspruzzi.

5. MANUTENZIONE



Prima di eseguire qualsiasi operazione di pulizia e intervento di manutenzione spegnere sempre la macchina e scollegare il cavo di alimentazione dalla presa di corrente.

L'elettrotensile è stato progettato per funzionare per un lungo periodo di tempo con una manutenzione minima. Il funzionamento continuo dell'elettrotensile dipende da una cura corretta e da una regolare pulizia della macchina.

Pulizia

Mantenere pulite le aperture di ventilazione dell'elettrotensile per evitare il surriscaldamento del motore. Pulire regolarmente il corpo macchina con un panno morbido, preferibilmente dopo ogni uso. Mantenere le prese d'aria libere da polvere e sporcizia. Se lo sporco non viene rimosso, utilizzare un panno morbido inumidito con acqua e sapone. Non usare mai solventi, come benzina, alcol, ammoniacca, ecc., che potrebbero danneggiare i componenti in plastica.

Pulire l'elettrotensile immediatamente dopo l'uso.

- Rimuovere la vaschetta dell'acqua dalla macchina e scaricare l'acqua sporca.
- Svitare il paraspruzzi e pulirlo.
- Allentare la manopola a forma di stella, ripiegare il tavolo e lucidare l'intera macchina.

Manutenzione

Questa macchina è conforme a tutte le norme di sicurezza vigenti. Le riparazioni possono essere effettuate solo da un'azienda autorizzata, poiché i tentativi di riparazione da parte di persone non qualificate possono causare lesioni all'operatore e alle persone presenti. Controllare regolarmente il cavo di alimentazione e la spina; qualora fossero danneggiati, farli sostituire presso un'azienda autorizzata. Controllare sempre tutti i cavi di prolunga. Le protezioni e gli interruttori di sicurezza danneggiati devono essere sostituiti prima di rimettere in funzione la macchina.

PROTEZIONE DELL'AMBIENTE



Il simbolo del cassonetto barrato indica che questo prodotto non può essere smaltito insieme ai rifiuti domestici. Le apparecchiature elettriche ed elettroniche non rientranti nel processo di raccolta differenziata sono potenzialmente pericolose per l'ambiente e la salute delle persone per via della presenza di sostanze pericolose. Smaltire il prodotto in modo responsabile presso un centro di smaltimento o riciclaggio dei rifiuti autorizzato.

Solo per i Paesi CE

Non smaltire gli apparecchi elettrici insieme ai rifiuti domestici. Secondo la Direttiva europea 2012/19/UE sui rifiuti delle apparecchiature elettriche ed elettroniche e relativa implementazione nelle normative locali, gli elettrodomestici ormai inutilizzabili devono essere raccolti separatamente e smaltiti nel rispetto dell'ambiente.

GARANZIA

I prodotti VONROC sono sviluppati secondo gli standard di qualità più elevati e sono garantiti esenti da difetti sia per quanto riguarda i materiali che la lavorazione, per il periodo stabilito per

legge a decorrere dalla data di acquisto iniziale.

Se durante questo periodo il prodotto dovesse presentare dei difetti di materiali e/o di lavorazione, contattare direttamente VONROC.

Le seguenti circostanze sono escluse dalla garanzia:

- esecuzione o tentativo di esecuzione di riparazioni o modifiche all'apparecchio da parte di personale di centri di assistenza non autorizzati;
- usura normale;
- maltrattamento, uso in maniera impropria o manutenzione inadeguata dell'apparecchio;
- impiego di ricambi non originali.

La presente costituisce l'unica garanzia espressa o implicita fornita dall'azienda. Non sono concesse altre garanzie, né espresse né implicite, oltre a quelle descritte in questo documento, comprese le garanzie implicite di commerciabilità e idoneità per uno scopo particolare. In nessun caso VONROC sarà ritenuta responsabile di alcun danno incidentale o consequenziale. I rimedi offerti dai rivenditori si limiteranno alla riparazione o alla sostituzione delle unità o dei componenti non conformi.

Il prodotto e il manuale d'uso sono soggetti a modifiche. I dati tecnici possono essere modificati senza ulteriore notifica.

1. SÄKERHETSANVISNINGAR

Läs de medföljande säkerhetsvarningarna, de kompletterande säkerhetsvarningarna och anvisningarna. Underlåtenhet att följa säkerhetsvarningarna och anvisningarna kan orsaka elstöt, brand och/eller allvarlig skada. Spara säkerhetsvarningarna och anvisningarna som framtida bruk.

Följande symboler används i användarhandboken eller på produkten:



Läs användarhandboken.



Anger risk för personskada, dödsfall eller skada på verktyget om anvisningarna i denna handbok inte följs.



Risk för elstöt.



Dra omedelbart ur kontakten ur vägguttaget i det fall att sladden skadats och vid underhåll.



Använd hörselskydd.



Använd skyddsglasögon.



Jordningssymbol. Denna apparat är klassificerad som skyddsklass I och måste anslutas till ett jordat eluttag.



Kassera inte produkten i olämpliga containrar.



Produkten uppfyller gällande säkerhetsnormer

ALLMÄNNA SÄKERHETSFÖRESKRIFTER FÖR ELVERKTYG



VARNING! Läs alla säkerhetsvarningar och alla anvisningar. Underlåtenhet att följa varningar och instruktioner kan resultera i elstötar, brand och/eller allvarliga skador.

Spara alla varningar och instruktioner för framtida referens.

Termen "elverktyg" i varningarna hänvisar till ditt elverktyg (med sladd) eller batteridrivet (sladdlöst) elverktyg.

1) Arbetsplatssäkerhet

- Håll arbetsplatsen ren och välbelyst.** Belamrade eller mörka områden inbjuder till olyckor.
- Använd inte elektriska verktyg i explosiva atmosfärer, såsom i närvaro av lättantändliga vätskor, gaser eller damm.** Elverktyg skapar gnistor som kan antända damm eller ångor.
- Håll barn och åskådare borta medan du arbetar med ett elverktyg.** Om du blir distraherad kan du tappa kontrollen.

2) Elsäkerhet

- Verktygets elkontakt måste passa till vägguttaget. Ändra inte kontakten på något sätt. Använd inte adapterkontakter med jordade elverktyg.** Omodifierade kontakter och matchande uttag minskar risken för elektrisk stöt.
- Undvik kroppskontakt med jordade ytor såsom rör, värmeelement, spisar och kylskåp.** Det finns en ökad risk för elektrisk stöt om din kropp är jordansluten eller jordad.
- Utsätt inte elektriska verktyg för regn eller väta.** Vatten som tränger in i ett elverktyg ökar risken för elstötar.
- Hantera inte elkabeln felaktigt. Använd aldrig sladden för att bära, dra eller koppla bort elverktyget från uttaget. Håll sladden borta från värme, olja, vassa kanter eller rörliga delar.** Skadade eller tilltrasslade sladdar ökar risken för elektrisk stöt.
- När du arbetar med ett elverktyg utomhus, använd en förlängningssladd som passar för utomhusanvändning.** Användning av en sladd som passar för utomhusanvändning minskar risken för elektrisk stöt.
- Om arbete med ett elverktyg i en fuktig lokal är oundvikligt, använd ett uttag som är skyddat med jordfelsbrytare.** Användning av jordfelsbrytare minskar risken för elstötar.

3) Personlig säkerhet

- Var uppmärksam, kontrollera vad du gör och använd sunt förnuft när du arbetar med ett elektriskt verktyg. Använd inte ett elverktyg när du är trött eller påverkad av droger, alkohol eller mediciner.** Ett ögonblicks ouppmärksamhet under arbetet kan resultera i allvarliga personskador.
- Använd personlig skyddsutrustning. Bär alltid ögonskydd.** Skyddsutrustning såsom

dammfilterskydd, hals säkra säkerhetsskor, skyddshjälm eller hörselskydd som används för lämpliga förhållanden minskar personskador.

- c) **Förebygg oavsiktlig igångsättning. Se till att strömbrytaren är i avstängd position innan anslutning till strömkällan och/eller batteriet, verktyget lyfts upp eller bärs.** Om du bär elverktyg med ditt finger på strömbrytaren eller ansluter ett påkopplat elverktyg till nätströmmen kan en olycka inträffa.
- d) **Avlägsna eventuell justeringsnyckel eller skiftnyckel innan du sätter på elverktyget.** En skiftnyckel eller en nyckel som sitter kvar på en roterande del av elverktyget kan resultera i personskada.
- e) **Böj dig inte för långt. Bibehåll alltid ordentligt fotfäste och balans.** Detta möjliggör bättre kontroll av elverktyget i oväntade situationer.
- f) **Bär lämpliga kläder. Använd inte vida kläder eller smycken. Håll hår, kläder och handskar borta från rörliga delar.** Lösa kläder, smycken eller långt hår kan fastna i rörliga delar.
- g) **Om enheten är försedd med anslutning av dammsug och uppsamlingsmöjlighet, se till att dessa är anslutna och används korrekt.** Dammupptagning minskar dammrelaterade risker.
- h) **Låt inte erfarenheten som uppnås vid frekvent användning av verktyg låta dig bli för självsäker och ignorera verktygsäkerhetsprinciperna.** En oförsiktig handling kan orsaka allvarliga skador under bråkdelen av en sekund.

4) Användning och skötsel av elverktyg

- a) **Bruka inte våld när du använder elverktyget. Använd rätt slags elektriska verktyg för ditt arbete.** Rätt elverktyg gör arbetet bättre och säkrare vid den hastighet som det har konstruerats för.
- b) **Använd inte elverktyget om strömbrytaren inte sätter på och stänger av det.** Ett elverktyg som inte kan kontrolleras med strömbrytaren är farligt och måste repareras.
- c) **Dra ur kontakten från strömkällan och/eller batteriet från elverktyget innan du gör några justeringar, byter tillbehör, eller lägger undan elverktygen för förvaring.** Sådana förebyggande säkerhetsåtgärder minskar risken för att elverktyget startar oavsiktligt.
- d) **Förvara elverktyg oåtkomliga för barn och låt inte personer som är obekanta med verktyget**

eller dessa instruktioner använda verktyget.

Elektriska verktyg är farliga i händerna på oerfarna användare.

- e) **Underhåll av elektriska verktyg. Kontrollera för feljustering eller om rörliga delar har fastnat, bristning hos delar och andra eventuella förhållanden som kan komma att påverka elverktygets funktion. Om det är skadat, se till att elverktyget blir reparerat före användning.** Många olyckor orsakas av dåligt underhållna elektriska verktyg.
- f) **Håll kapverktyg vassa och rena.** Korrekt underhållna kapverktyg med vassa kanter är mindre troliga att kärva och lättare att kontrollera.
- g) **Använd elverktyget, dess tillbehör och verktyg i enlighet med dessa instruktioner och under beaktande av arbetsförhållandena och det arbete som ska utföras.** Användning av elverktyget för andra uppgifter än vad som avsetts kan resultera i farliga situationer.
- h) **Se till att handtagen är torra, rena och fria från olja och fett.** Hala handtag och greppytor tillåter inte säker hantering och kontroll av verktyget i oväntade situationer.

5) Service

- a) **Se till att ditt elverktyg får service av en kvalificerad reparatör, som endast använder identiska ersättningsdelar.** Detta säkerställer att elverktygets säkerhet upprätthålls.

YTTERLIGARE SÄKERHETSINSTRUKTIONER FÖR KAKELSKÄRARE

- Kontrollera ditt elverktyg för skador innan du börjar ditt arbete, särskilt diamantklingan. Alla delar måste monteras korrekt och måste uppfylla alla krav för att garantera att verktyget fungerar smidigt. Alla skyddsanordningar eller lätt skadade delar måste kontrolleras för att se om de fortfarande fungerar korrekt innan du fortsätter att använda verktyget. Rörliga delar, och i synnerhet diamantbladsskyddet, måste monteras korrekt och får inte klämma. Använd inte verktyg som inte kan slås på eller av med strömbrytaren.
- Diamantklingans skydd får inte klämmas eller tas bort.
- Ett skydd som fastnat måste omedelbart repareras.
- Klyvkniven får inte tas bort.

Innan du använder maskinen:

- Kontrollera följande:
 - *Stämmer bänkslipens spänning med strömförsörjningen?*
 - *Är nätsladden och kontakten i gott skick (hela, utan skrapmärken eller andra skador)?*
- Använd skyddsglasögon.
- Använd en dammask.

När du använder maskinen

- Kontrollera att omkopplaren INTE är i läge "ON/1" innan du ansluter maskinen till strömförsörjningen.
- Håll alltid sladden borta från maskinens rörliga delar.

Stäng av maskinen omedelbart om:

- Kontakten eller nätsladden är defekt eller skadad.
- Omkopplaren är defekt.
- Du känner lukt av rök eller bränd isolering.

Elsäkerhet

Följ alltid säkerhetsföreskrifterna som gäller i ditt land när du arbetar med elverktyg för att minska risken för brand, elstöt och personskada. Läs följande säkerhetsanvisningar.



Kontrollera alltid så att spänningen på nätet motsvarar den spänning som finns angiven på märkplåten.



Varning! *Ett jordat eluttag krävs för att maskinen ska kunna användas på ett säkert sätt. Anslut inte maskinen till ojordade eluttag.*

Använda förlängningskabel

Använd alltid endast godkända förlängningssladdar som är lämpliga för maskinens märkeffekt. Minsta ledarstorlek är 1,5 mm². Om du använder en sladdvinda, vira alltid av sladden fullständigt. Använd inte någon ojordad förlängningssladd.

2. MASKININFORMATION**Avsedd användning**

Detta verktyg är lämpligt för att skära olika vägg- och golvplattor med en maximal kakelstorlek på 500x500x35 mm. Diamantskivan kan bytas ut av användaren. Det är inte tillåtet att använda verktyget för något annat material.

TEKNISKA SPECIFIKATIONER

Modell nr:	TC502AC
Spänning	230V~ / 50Hz
Effekt	300W S1 / 600W S6 15 %
Kapskiva tomgångshastighet	2990/min
Max. skärdjup vid 90°	34 mm
Max. skärdjup vid 45°	18 mm
Skärvinkel	0-45°
Kapskivans diameter	Ø180mm x Ø22,2mm
Kapskivans tjocklek	2,2 mm
Bordsmått	360 x 330 mm
IP-värdering	IP44
L _{PA} (ljudtrycksnivå)	87 dB(A), K=3dB(A)
L _{WA} (ljudeffektnivå)	100 dB(A), K=3dB(A)

BESKRIVNING

Siffrorna i texten hänvisar till diagrammen på sidorna 2-6.

1. Sågbord
2. Skärblad
3. Styrstöd
4. Vattenbricka
5. Justeringsratt för fasvinkel
6. Strömbrytare
7. Anslagsratt
8. Måttlinjal
9. Klyvknivskruvar
10. Klyvkniv
11. Bladskydd
12. Nedre bladskydd
13. Klyvknivplatta
14. Inre klingfläns
15. Yttre klingfläns
16. Klingfästmutter
17. Motoraxel
18. Maskin
19. Liten skiftnyckel
20. Stor skiftnyckel
21. Geringsanslag
22. Nedre skyddsskruv
23. Monteringshåll

3. MONTERING

Montering av klyvkniven och klingskyddet (fig. A, B)

- Lossa de två skruvarna (9) lätt.
- Placera klyvknivens fot (10) under skruvarna (och något under bordet).
- Dra åt skruvarna (9).


Montering av skärklingan (fig. A, C)

- Ta bort de två skruvarna (22) från det nedre knivskyddet (12). Se till att ta bort skruvarna som visas i figur C1, och inte de två (mindre) skruvarna längst ner på det nedre klingskyddet.
- Ta bort det nedre klingskyddet (12).
- Ta bort muttern (16) genom att vrida den moturs och ta bort den yttre flänsen (15).
- Placera klingan (2) på den inre flänsen (14).
- Placera den yttre flänsen (15) på klingan.
- Säkra klingan genom att hålla i den yttre flänsen (15) med den stora skiftnyckeln (20) och dra åt muttern (16) medurs med den lilla skiftnyckeln (19).

Montering av det justerbara anslaget (fig. A)

- Anslut ratten (7) med anslaget (3) med hjälp av plattan (1 hål med gänga). Dra inte åt ratten helt än.
- Skjut in hela anslaget med (löst fixerade) rattar på bordet; plattorna på insidan av bordet.
- Placera anslaget (3) på önskat avstånd från klingan (2).
- Dra åt rattarna (7) för att säkra anslaget på plats.

Montera vattenbricka (fig. A, D)

 Använd alltid vattenbrickan (4) och se till att vattennivån ligger mellan de angivna MIN- och MAX-markeringarna.

Det är viktigt att använda maskinen med den medföljande vattenbrickan. Det är viktigt att använda maskinen med den medföljande vattenbrickan (4). Vattnet kyler klingan, vilket förlänger dess livslängd avsevärt. Dessutom minskar vattnet bildandet av damm.

- Ställ maskinen på en yta och placera vattenbrickan (4) under det nedre knivskyddet (12).

- Se till att vattenbrickan är korrekt placerad: kanten på vattenbrickan längst bort från dig måste passa mellan det nedre klingskyddet (12) och metallytan på maskinen.

Montera kakelskäraren (fig. A, D)

- Kakelskäraren får endast användas som ett fast verktyg och ska skruvas ner till en jämn och horisontell yta. Använd monteringshålen (23) i maskinens bas.
- Elförsörjningen måste anslutas till ett 230V~ jordat vägguttag. Nätspänningen måste överensstämja med informationen på typskylten och måste skyddas av en strömbrytare.
- Använd aldrig elsladden för att dra ut kontakten ur uttaget. Skydda kabeln från värme, olja och vassa föremål.



Använd endast tillbehör och extrautrustning som nämns i bruksanvisningen eller rekommenderas eller nämns av tillverkaren. Användning av andra tillbehör eller extrautrustning kan innebära en risk för skador för dig och andra.

4. DRIFT

Innan du påbörjar skärjobbet, se alltid till att det finns tillräckligt med vatten i vattenbrickan. Diamantklingan måste löpa genom vattnet. Håll noga koll på vattennivån under jobbet, så att det inte tar slut oväntat. Spola och byt ut vattnet efter några snitt, så att det inte blir för förorenat.



Att (av misstag) använda maskinen utan tillräckligt med vatten kan minska maskinens livslängd och kommer snabbt att göra klingan slö.



Skärning med en slö klinga, utan tillräckligt med vatten, eller med mycket förorenat vatten kan resultera i grova snitt och/eller spruckna/skaliga plattor. För bästa resultat: se alltid till att klingan är i gott skick och att det finns tillräckligt med rent vatten i brickan.

- Vänta tills klingan når sin maximala hastighet innan du börjar såga.

- Diamantklingan får ALDRIG utsättas för sidotryck. Klingan kan splittras vid sidotryck och de flygande bitarna blir projektiler!
- Försök inte skära av extremt små bitar från plattorna. Se alltid till att plattans hela yta ligger på arbetsbordet. Det medföljande geringsstödet kan användas för att trycka plattorna genom fräsen. Särskilt i de tidiga stadierna av kapningen måste plattan förbli helt plan för att undvika att plattan flyttas upp.
- Överbelasta inte verktyget. Det är bättre och säkrare att arbeta inom det angivna effektområdet. Skär inte i andra material än kakel.
- Underhåll dina verktyg noggrant. Håll verktygen vassa och rena för att fungera korrekt och säkert.
- Följ underhållsinstruktionerna och instruktionerna för att byta diamantklingan.
- Stå säkert och behåll balansen. Undvik onaturliga kroppsvinklar. Var uppmärksam och fokuserad på ditt arbete. Använd sunt förnuft. Använd inte maskinen när du inte kan koncentrera dig eller när du är trött.
- Om en strömkabel måste bytas ut ska detta göras av tillverkaren eller dennes ombud för att undvika en säkerhetsrisk.

- Dra åt rattarna (5) igen på båda sidor om bordet.

Inspektion och byte av diamantklinga (fig. A, C)

- Spruckna eller förvrängda diamantklingor måste bytas ut omedelbart.
- Typ av klinga: en diamantklinga med en diameter på 180 mm.
- Använd inte sågklingor som inte uppfyller specifikationerna som anges i denna bruksanvisning.
- Se till att diamantklingan är ordentligt fastsatt och roterar i rätt riktning.

Byte av diamantklinga (fig. C)



Koppla bort maskinen från elnätet innan du byter ut klingan

- Ta bort vattenbrickan (4) från maskinen.
- Lossa klingskyddets fästbultar (22) och ta bort stänkskyddet (12).
- Lossa klingans fästmutter (16).
- Ta bort motflänsen (15) och klingan (2) och tryck den nya klingan på flänsen (14). Tänk på rotationsriktningen som anges på klingan. Fäst motflänsen (15).
- Dra åt fästmuttern (16) och montera stänkskyddet.

Hellängds justerbart anslag (fig. A, E)

Anslaget (3) gör att du kan skära parallellt med skärklingan.

- Lossa anslagsrattarna (7) och ställ in önskat avstånd.
- Dra åt anslagsrattarna på båda sidor om sågbordet (1).
- Markörerna bestämmer måtten (8).

Geringsstöd (fig. A, F)

Följ samma procedur för ett rakt/parallellt snitt men använd geringsstyrningen (21) mot anslaget (3) för 45-gradig kapning av plattor. Se till att plattan hålls stadigt i styrningen innan du skär.

Fasvinkeljustering (fig. A, G)

Bordsytan har en variabel inställning mellan 0° och 45° fasvinkel.

- Lossa fasvinkeljusteringsrattarna (5) på fram- och baksidan av bordet (1)
- Ställ in fasningsvinkeln genom att luta bordet (1) uppåt tills du har nått önskad lutning.

5. UNDERHÅLL



Före rengöring och underhåll, stäng alltid av maskinen och dra ur nätsladden.

Maskinen har konstruerats för att arbeta under långa tid med minimalt underhåll. Kontinuerlig och tillfredsställande drift beror på korrekt maskinvård och regelbunden rengöring.

Rengöring

Håll ventilationsöppningarna på maskinen rena för att förhindra att motorn överhettas. Rengör verktygets hölje regelbundet med en mjuk trasa, helst efter varje användning. Håll ventilationsöppningarna fria från damm och smuts. Om smutsen inte kan fås bort, använd en mjuk trasa doppad i tvålatten. Använd aldrig lösningsmedel som bensin, alkohol, ammoniak, etc. Dessa typer av lösningsmedel kan skada plastdelarna.

Rengör alltid verktyget omedelbart efter användning.

- Ta bort vattenbrickan från maskinen och töm det smutsiga vattnet.
- Skruva av stänkskyddet och rengör det.
- Lossa den stjärnformade ratten, fäll ihop bordet och polera hela maskinen.

Underhåll

Maskinen uppfyller alla gällande säkerhetsföreskrifter. Reparationer får endast utföras av ett godkänt företag, eftersom reparationsförsök av okvalificerade personer kan orsaka skador på användare och åskådare. Kontrollera regelbundet nätsladden och kontakten och om de är skadade ska de bytas ut av ett godkänt företag. Kontrollera även eventuella förlängningskablar. Skadade skyddsanordningar och brytare måste bytas ut innan maskinen används igen.

MILJÖ



Symbolen med en överkorsad soptunna betyder att denna produkt inte får slängas med vanligt hushållsavfall. Elektronisk och elektrisk utrustning som inte ingår i den selektiva sorteringsprocessen är potentiellt farliga för miljön och människors hälsa på grund av förekomsten av farliga ämnen. Kassera på ett ansvarsfullt sätt på en godkänd avfalls- eller återvinningsanläggning.

Endast för EU-länder

Kassera inte elverktyg i hushållsavfall. Enligt den europeiska riktlinjen 2012/19/EU om kasserad elektrisk och elektronisk utrustning och dess tillämpning i nationell rätt måste elverktyg som inte längre är användbara samlas in separat och kasseras på ett miljövänligt sätt.

GARANTI

VONROC-produkter är utvecklade enligt högsta kvalitetsstandard och garanteras fria från defekter i både material och utförande under den period som lagen föreskriver från och med inköpsdatumet. Om produkten skulle utveckla fel under denna period på grund av defekt material och/eller utförande, kontakta då VONROC direkt.

Följande omständigheter är undantagna från denna garanti:

- Reparationer och/eller ändringar har gjorts eller försökts utföras på maskinen av obehöriga servicecenter;
- Normalt slitage;
- Verktyget har missbrukats, använts på fel sätt eller underhållits felaktigt;
- Reservdelar som inte är original har använts.

Detta utgör den enda garantin som företaget ger antingen uttryckt eller underförstått. Det finns inga andra garantier uttryckta eller underförstådda som sträcker sig bortom detta, inklusive de underförstådda garantierna för säljbarhet och lämplighet för ett visst syfte. Under inga omständigheter ska VONROC hållas ansvarigt för indirekta skador eller följdskador. Återförsäljarnas åtgärder ska begränsas till reparation eller byte av enheter eller delar som inte uppfyller kraven.

Produkten och användarhandboken kan ändras. Specifikationerna kan ändras utan förvarning.

1. SIKKERHEDSANVISNINGER

Læs de vedlagte sikkerhedsadvarsler, de yderligere sikkerhedsadvarsler og vejledningen. Hvis sikkerhedsadvarslerne og vejledningen ikke følges, kan det resultere i elektrisk stød, brand og/eller alvorlige personskader. Gem sikkerhedsadvarslerne og vejledningen til fremtidig brug.

Følgende symboler anvendes i brugervejledningen eller på produktet:



Læs brugervejledningen.



Angiver risiko for personskade, dødsfald eller beskadigelse af værktøjet i tilfælde af manglende overholdelse af anvisningerne i denne vejledning.



Risiko for elektrisk stød.



Tag straks stikket ud af stikkontakten, hvis ledningen bliver beskadiget og under vedligeholdelse.



Bær høreværn.



Bær beskyttelsesbriller.



Jordingssymbol. Dette apparat er klassificeret som beskyttelsesklasse I og skal forbindes til et jordet strømstik.



Bortskaf ikke produktet i uegnede beholdere.



Produktet er i overensstemmelse med den gældende sikkerhed

GENERELLE SIKKERHEDSADVARSLER FOR ELVÆRKTØJ



ADVARSEL! Læs alle sikkerhedsadvarsler og alle anvisninger. Hvis advarslerne og vejledningen ikke følges, kan det resultere i elektrisk stød, brand og/eller alvorlige personskader.

Gem alle advarsler og instruktioner til fremtidig brug. Udtrykket "el-værktøj" i advarslerne refererer til dit strømdeevne el-værktøj (med ledning) eller dit batteridrevne el-værktøj (uden ledning).

1) Sikkerhed på arbejdsområdet

- Hold arbejdsområdet rent og godt oplyst.** Der er risiko for ulykker på rodede eller mørke områder.
- Brug ikke el-værktøj i eksplosive atmosfærer, f.eks. i nærheden af brandfarlige væsker, gasser eller støv.** El-værktøj danner gnister, der kan antænde støv eller dampe.
- Hold børn og tilskuere væk, mens du bruger et el-værktøj.** Distractioner kan få dig til at miste kontrollen.

2) El-sikkerhed

- Stik på el-værktøj skal passe til stikkontakten. Stikket må aldrig modificeres på nogen måde. Brug ikke adapterstik med jordforbundne (jordede) el-værktøj.** Umodificerede stik og tilsvarende stikkontakter reducerer risikoen for elektrisk stød.
- Undgå kropskontakt med jordede overflader, såsom rør, radiatorer, områder og køleskabe.** Der er en øget risiko for elektrisk stød, hvis din krop er jordet.
- El-værktøjer må ikke udsættes for regn eller våde omgivelser.** Vand, der trænger ind i et el-værktøj, vil øge risikoen for elektrisk stød.
- Misbrug ikke ledningen. Brug ikke ledningen til at bære, trække eller frakoble el-værktøjet. Hold ledningen væk fra varme, olie, skarpe kanter eller dele i bevægelse.** Beskadigede eller sammenfiltrede ledninger øger risikoen for elektrisk stød.
- Når du betjener et el-værktøj udendørs, skal du bruge en forlængerledning, der er velegnet til udendørs brug.** Brug af en ledning, der er velegnet til udendørs brug, reducerer risikoen for elektrisk stød.
- Hvis det ikke kan undgås at bruge et maskinværktøj i et fugtigt miljø, bør du anvende en forsyning, der er beskyttet af en fejlstrømsafbryder (RCD).** Brug af en RCD reducerer risikoen for elektrisk stød.

3) Personlig sikkerhed

- Vær opmærksom, se hvad du laver, og brug din sunde fornuft, når du bruger et el-værktøj. Brug ikke et el-værktøj, når du er træt eller påvirket af stoffer, alkohol eller medicin.** Et øjeblik uopmærksomhed under brug af el-værktøj kan resultere i alvorlig personskade.

- b) **Brug personligt sikkerhedsudstyr. Bær altid øjenværn.** Beskyttelsesudstyr såsom støvmaske, skridsikre sikkerhedssko, hjelm eller høreværn, der bruges til passende forhold, reducerer personskader.
- c) **Undgå utilsigtet start. Sørg for, at kontakten er slukket, før du tilslutter strømkilden og/eller batteripakken, tager maskinen op eller bærer værktøjet.** Hvis el-værktøj bæres med fingeren på kontakten, eller når el-værktøj strømføres med tændt kontakt, kan der nemt ske ulykker.
- d) **Fjern en eventuel justeringsnøgle eller skruenøgle, inden du tænder for el-værktøjet.** En skruenøgle eller en justeringsnøgle, der er fastgjort til en roterende del af el-værktøjet, kan resultere i personskade.
- e) **Ræk dig ikke for langt. Hold altid et korrekt fodfæste og balancen.** Dette giver bedre kontrol over el-værktøjet i uventede situationer.
- f) **Klæd dig korrekt. Bær ikke løst tøj eller smykker. Hold dit hår, tøj og handsker væk fra bevægelige dele.** Løst tøj, smykker eller langt hår kan sætte sig fast i bevægelige dele.
- g) **Hvis der leveres enheder til tilslutning af støvudsugnings- og opsamlingsfaciliteter, skal du sikre, at disse er tilsluttet og bliver brugt korrekt.** Brug af støvopsamling kan reducere støvrelaterede farer.
- h) **Lad ikke kendskab opnået gennem hyppig brug af værktøj lade dig blive tilbagemænet og ignorere værktøjssikkerhedsprincipper.** En skødesløs handling kan forårsage alvorlig personskade inden for en brøkdal af et sekund.
- 4) Brug og pleje af el-værktøj**
- a) **Tving ikke el-værktøjet. Brug det korrekte el-værktøj til din opgave.** Det korrekte el-værktøj vil gøre et bedre stykke arbejde og vil være mere sikkert ved den hastighed, det var beregnet til.
- b) **Brug ikke el-værktøjet, hvis kontakten ikke tænder og slukker.** Ethvert el-værktøj, der ikke kan styres med kontakten, er farligt og skal repareres.
- c) **Tag stikket ud af strømkilden og/eller fjern batteripakken fra el-værktøjet, før du foretager justeringer, skifter tilbehør eller opbevarer el-værktøj.** Disse forebyggende sikkerhedsforanstaltninger reducerer risikoen for at tænde el-værktøjet ved et uheld.
- d) **Opbevar inaktivt el-værktøj uden for børns rækkevidde, og lad ikke personer, der ikke har kendskab til el-værktøjet eller disse instruktioner, betjene værktøjet.** El-værktøjer er farlige i hænderne på utrænede brugere.
- e) **Vedligehold el-værktøjer. Se efter forkert justering eller binding af bevægelige dele, ødelagte dele og enhver anden tilstand, der kan påvirke el-værktøjets drift. Hvis det er beskadiget, bør du få el-værktøjet repareret før brug.** Mange ulykker forårsages af dårligt vedligeholdt el-værktøj.
- f) **Hold skæreværktøj skarpt og rent.** Korrekt vedligeholdte skæreværktøjer med skarpe skærekanten har mindre tilbøjelighed til at binde og er lettere at styre.
- g) **Brug el-værktøj, tilbehør og værktøjsbor osv. i overensstemmelse med disse instruktioner under hensyntagen til arbejdsforholdene og det arbejde, der skal udføres.** Brug af el-værktøjet til andet arbejde end det tilsigtede kan resultere i en farlig situation.
- h) **Hold håndtag og gribeblader tørre, rene og fri fra olie og fedtstof.** Glatte håndtag og gribeblader giver ikke mulighed for sikker håndtering og kontrol af værktøjet i uventede situationer.
- 5) Service**
- a) **Lad dit el-værktøj blive serviceeret af en kvalificeret reparatør, der kun bruger identiske reservedele.** Dette sikrer, at maskinværktøjet fortsat er sikkert at bruge.

YDERLIGERE SIKKERHEDSINSTRUKTIONER TIL FLISESKÆRER

- Se dit elværktøj efter for skader, før du starter dit arbejde, især diamantklingen. Alle dele skal monteres korrekt og skal opfylde alle krav for at garantere en problemfri drift af værktøjet. Eventuelle sikkerhedsskærme eller let beskadigede dele skal kontrolleres for at se, om de stadig fungerer korrekt, før du fortsætter med at bruge værktøjet. Bevægelige dele, og især diamantklingeskærmen, skal monteres korrekt og må ikke sætte sig fast. Brug ikke værktøj, der ikke kan tændes eller slukkes med kontakten.
- Diamantklingeskærmen må ikke sidde fast eller fjernes.

- En skærm, der sætter sig fast, skal straks repareres.
- Spaltekniven må ikke fjernes.

Inden du bruger maskinen:

- Kontroller følgende:
 - *Stemmer bænksliberens spændingsværdi overens med strømforsyningen?*
 - *Er netledningen og stikket i god stand (solide, uden slid eller andre skader)?*
- Brug sikkerhedsbriller.
- Brug en støvmaske.

Hver gang du bruger maskinen

- Kontrollér, at kontakten IKKE står i positionen 'ON/1', inden du forbinder maskinen til strømforsyningen.
- Hold altid netledningen væk fra maskinens bevægelige dele.

Sluk øjeblikkeligt for maskinen, når:

- Stikket eller netledningen er defekt eller beskadiget.
- Kontakten er defekt.
- Du lugter røg eller brændende isolering.

El-sikkerhed

Når du bruger el-maskiner, skal du altid overholde de gældende sikkerhedsbestemmelser i dit land for at reducere risikoen for brand, elektrisk stød og personskader. Læs de følgende sikkerhedsinstruktioner.



Kontroller altid, at strømforsyningens spænding stemmer overens med spændingen på ydelsesskiltmærket.



Advarsel! Der skal bruges et jordet strømstik for at betjene denne maskine sikkert. Slut ikke maskinen til ikke-jordede strømstik.

Brug af forlængerledninger

Brug kun en godkendt forlængerledning, som egner sig til maskinens indgangseffekt. Den mindste lederstørrelse er 1,5 mm mm². Når du bruger en kabeltromle, skal du altid rulle tromlen helt ud. Undlad at bruge ikke-jordede forlængerledninger.

2. MASKINOPLYSNINGER

Tilsigtet brug

Dette værktøj er velegnet til at skære forskellige væg- og gulvfliser med en maksimal flisestørrelse på 500x500x35 mm. Diamantskiven kan udskiftes af brugeren. Det er ikke tilladt at bruge værktøjet til andre materialer.

TEKNISKE SPECIFIKATIONER

Model nr.	TC502AC
Spænding	230 V~ / 50 Hz
Mærkestrøm	300 W S1 / 600 W S6 15 %
Skæreskive hastighed uden belastning	2990/min
Maks. skæredybde 90°	34 mm
Maks. skæredybde 45°	18 mm
Skærevinkel	0-45°
Diameter af skæreskive	Ø180 mm x Ø22,2 mm
Tykkelse af skæreskive	2,2 mm
Borddimensioner	360 x 330 mm
IP-kode	IP44
L _{PA} (lydtrykniveau)	87 dB(A), K=3 dB(A)
L _{WA} (lydeffektniveau)	100 dB(A), K=3 dB(A)

BESKRIVELSE

Tallene i teksten henviser til diagrammerne på side 2-6.

1. Skærebord
2. Skæreklinge
3. Anslag
4. Vandbakke
5. Fasjusteringsknop
6. Tænd/sluk-kontakt
7. Anslagsknop
8. Målelineal
9. Spalteknivskruer
10. Spaltekniv
11. Klingeværn
12. Nederste klingskærm
13. Spalteknivplade
14. Indvendig klingeflange
15. Udvendig klingeflange

- 16. Klingemøtrik
- 17. Motoraksel
- 18. Maskine
- 19. Lille nøgle
- 20. Store nøgle
- 21. Geringsstyr
- 22. Skruer til nederste skærm
- 23. Monteringshuller

3. MONTERING

Montering af spaltekniven og klingeskærmen (fig. A, B)

- Løsn de to skruer (9) en smule.
- Placer spalteknivens (10) sokkel under skrueerne (og en smule under bordet).
- Stram skrueerne (9).


Montering af skæreklingen (fig. A, C)

- Fjern de to skruer (22) fra den nederste klingeskærm (12). Sørg for at fjerne skrueerne som vist i figur C1 og ikke de to (mindre) skruer i bunden af den nederste klingeskærm.
- Fjern den nederste klingeskærm (12).
- Fjern møtrikken (16) ved at dreje den mod uret, og fjern den ydre flange (15).
- Placer klingens (2) på den indvendige flange (14).
- Placer den udvendige flange (15) på klingens.
- Fastgør klingens ved at holde den udvendige flange (15) med den store nøgle (20) og spænde møtrikken (16) med uret med den lille nøgle (19).

Montering af det justerbare anslag (fig. A)

- Forbind knoppen (7) med anslaget (3) ved hjælp af pladen (1 hul med gevind). Stram ikke knoppen helt.
- Skub hele anslaget med (løst fastgjorte) knopper ind på bordet; pladerne på indersiden af bordet.
- Placer anslaget (3) i den ønskede afstand fra klingens (2).
- Stram knopperne (7) for at sætte anslaget helt fast.

Montering af vandbakken (fig. A, D)

-  Brug altid vandbakken (4) og sørg for, at vandstanden befinder sig mellem de angivne MIN- og MAX-markeringer.

Det er vigtigt at bruge maskinen med den medfølgende vandbakke. Det er vigtigt at bruge maskinen med den medfølgende vandbakke (4). Vandet køler klingens, hvilket forlænger dens levetid betydeligt. Derudover reducerer vandet produktionen af støv.

- Anbring maskinen på en overflade og placer vandbakken (4) under den nederste klingeskærm (12).
- Sørg for, at vandbakken er placeret korrekt: Den kant af vandbakken, der befinder sig længst væk fra dig, skal passe mellem den nederste klingeskærm (12) og metaloverfladen på maskinen.

Installation af fliseskæreren (fig. A, D)

- Fliseskæreren må kun bruges som fast værktøj og skal skrues ned på en plan og vandret overflade. Brug monteringshullerne (23) i bunden af maskinen.
- Strømforsyningen skal sluttes til en 230 V~ jordet stikkontakt. Netspændingen skal være i overensstemmelse med oplysningerne på typeskiltet, og den skal være beskyttet af en afbryder.
- Brug ikke strømkablet til at trække stikket ud af stikkontakten. Beskyt kablet mod varme, olie og skarpe genstande.



Brug kun tilbehør og hjælpeudstyr nævnt i brugsvejledningen, eller som anbefalet eller nævnt af producenten. Brug af andet tilbehør eller hjælpeudstyr kan medføre en risiko for personskade hos dig selv og andre.

4. BETJENING

Før du går i gang med at skære, skal du altid sikre dig, at der er tilstrækkeligt med vand i vandbakken. Diamantklingen skal løbe gennem vandet. Hold godt øje med vandstanden under arbejdet, så værktøjet ikke uventet løber tør for vand. Skyl og udskift vandet efter et par snit, så det ikke bliver for kontamineret.



(Utilsigtet) betjening af maskinen uden tilstrækkeligt vand kan reducere maskinens levetid og vil hurtigt sløve klingens.



Skæring med en sløv klinge, uden tilstrækkelig vand eller med meget kontamineret vand kan resultere i grove snit og/eller revnede/hakkede fliser. For at få de bedste resultater: Sørg altid for, at klingens er i god stand, og at der er tilstrækkeligt med rent vand i bakken.

- Vent, indtil klingens har nået sin fulde omdrejningshastighed, før du starter skæringen.
- Der må ALDRIG presses på siden af diamantklingen. Klingens kan splintre, hvis den presses fra siden, og de flyvende stykker bliver til projektiler!
- Forsøg ikke at skære ekstremt små stykker fra fliserne. Sørg altid for, at hele flisens overflade er på arbejdsbordet. Den medfølgende geringsføring kan bruges til at skubbe fliserne gennem skæreren. Især i de tidlige stadier af skæringen skal flisen forblive helt plan for at undgå, at flisen bevæger sig opad.
- Overbelast ikke dit værktøj. Det er bedre og mere sikkert at arbejde inden for det angivne effektområde. Skær ikke andre materialer end fliser.
- Vedligehold dine værktøjer omhyggeligt. Hold værktøjet skarpt og rent, så det fungerer korrekt og sikkert.
- Følg vedligeholdelsesinstruktionerne og instruktionerne for udskiftning af diamantklingen.
- Stå sikkert og hold balancen. Undgå unaturlige kropsvinkler. Vær vågen og opmærksom på dit arbejde. Brug din sunde fornuft. Brug ikke maskinen, når du ikke kan koncentrere dig, eller når du er træt.
- Hvis det er nødvendigt at udskifte forsyningsledningen, skal dette udføres af producenten eller dennes agent for at undgå en sikkerhedsfare.

Justerbart anslag i fuld længde (fig. A, E)

Anslaget (3) gør det muligt for dig at skære parallelt med skæreklingen.

- Løsn anslagsknopperne (7) og indstil den påkrævede afstand.
- Stram anslagsknopperne på begge sider af skærebordet (1).
- Markørerne afgør målene (8).

Geringsstyr (fig. A, F)

Følg samme procedure for et lige/parallelt snit, men brug geringsstyret (21) mod anslaget (3) for at få en 45 graders skæring af fliser. Sørg for, at flisen holdes godt fast af styret, før du skærer.

Justering af fasvinkel (fig. A, G)

Bordets overflade har en variabel indstilling mellem 0° og 45° fasvinkel.

- Løsn fasjusteringsknopperne (5) på for- og bagsiden af bordet (1)
- Indstil fasvinklen ved at vippe bordet (1) op, indtil du har nået den ønskede hældning.
- Løsn knopperne (5) igen på begge sider af bordet.

Inspektion og udskiftning af diamantklingen (fig. A, C)

- Revnede eller forvredne diamantklinger skal udskiftes med det samme.
- Skivetype: en diamantskæreklinge med en diameter på 180 mm.
- Brug ikke klinger, der ikke opfylder specifikationerne i disse instruktioner.
- Sørg for, at diamantklingen sidder godt fast og roterer i den rigtige retning.

Udskiftning af diamantklingen (fig. C)



Afbrud maskinen fra stikkontakten, før du udskifter klingen

- Fjern vandbakken (4) fra maskinen.
- Løsn klingskærmens fastgørelsesbolte (22), og fjern stænkskærmen (12).
- Løsn klingemøtrikken (16).
- Fjern modflangen (15) og klingens (2), og skub den nye klinge hen på flangen (14). Overvej rotationsretningen angivet på klingens. Fastgør modflangen (15).
- Spænd møtrikken (16) og monter stænkskærmen.

5. VEDLIGEHOLDELSE



Før rengøring og vedligeholdelse skal du altid slukke for maskinen og trække strømledningen ud.

Maskinerne er designet til at virke over en længere periode med minimal vedligeholdelse. Kontinuerlig tilfredsstillende drift afhænger af korrekt maskinpleje og regelmæssig rengøring.

Rengøring

Hold maskinens ventilationsåbninger rene for at forhindre overophedning af motoren. Rengør maskinhuset regelmæssigt med en blød klud; helst efter hver anvendelse. Hold ventilationsåbningerne fri for støv og snavs. Hvis snavset ikke går af, skal du bruge en blød klud fugtet med sæbevand. Brug aldrig opløsningsmidler såsom benzin, alkohol, ammoniakvand osv. Disse opløsningsmidler kan beskadige plastikdelene.

Rengør altid værktøjet umiddelbart efter brug.

- Fjern vandbakken fra maskinen og dræn det snavsede vand.
- Skru stænkskærmen af og rengør den.
- Løsn den stjerneformede knop, fold bordet op, og polér hele maskinen.

Vedligeholdelse

Maskinen overholder alle gældende sikkerhedsforskrifter. Reparationer må kun udføres af et godkendt firma, da reparationsforsøg fra ukvalificerede personer kan forårsage personskade hos brugeren og omkringstående personer. Kontroller jævnligt strømkablet og stikket. Hvis de er beskadigede, skal de udskiftes af et godkendt firma. Kontroller også eventuelle forlængerledninger. Beskadigede sikkerhedsskærme og kontakter skal udskiftes, før maskinen tages i brug igen.

MILJØ



Symbolet med en overstreget skraldespand betyder, at dette produkt ikke må bortskaffes sammen med almindeligt husholdningsaffald. Elektronisk og elektrisk udstyr, der ikke er inkluderet i den selektive sorteringsproces, er potentielt farligt for miljøet og menneskers sundhed på grund af tilstedeværelsen af farlige stoffer. Det bør bortskaffes ansvarligt på et godkendt affalds- eller genbrugsanlæg.

Kun for lande i EU

Maskinværktøj må ikke bortskaffes sammen med husholdningsaffald. Ifølge EU-direktiv 2012/19/EU om affald af elektrisk og elektronisk udstyr og dets gennemførelse i den nationale lovgivning skal maskinværktøjer, der ikke længere anvendes, afleveres separat og bortskaffes på en miljøvenlig måde.

GARANTI

VONROC-produkter er udviklet til de højeste kvalitetsstandarder og er garanteret fri for defekter i både materialer og udførelse i den periode, der er retsligt angivet fra datoen for det originale køb. Hvis produktet skulle udvikle fejl i denne periode på grund af defekt materiale og/eller udførelse, bedes du kontakte VONROC direkte.

Følgende omstændigheder er udelukket fra denne garanti:

- Uautoriserede servicecentre har foretaget eller gjort forsøg på at foretage reparationer og/eller ændringer på maskinen;
- Normal slitage;
- Værktøjet er blevet misbrugt, brugt forkert eller ikke passende vedligeholdt;
- Der er anvendt ikke-originale reservedele.

Dette udgør den eneste garanti, virksomheden har givet, enten udtrykt eller underforstået. Der er ingen andre garantier, udtrykt eller underforstået, som strækker sig ud over denne, herunder de underforståede garantier for salgbarhed og egnethed til et bestemt formål. Under ingen omstændigheder skal VONROC holdes ansvarlig for tilfældige skader eller følgeskader. Forhandlerens retsmidler skal være begrænset til reparation eller udskiftning af enheder eller dele, der ikke overholder kravene.

Produktet og brugervejledningen er genstand for ændringer. Specifikationer kan ændres uden yderligere varsel.

1. BIZTONSÁGI UTASÍTÁSOK

Olvassa el a mellékelt biztonsági figyelmeztetéseket, a kiegészítő biztonsági figyelmeztetéseket és az utasításokat.

A figyelmeztetések és utasítások be nem tartása áramütéshez, tűz keletkezéséhez vagy akár súlyos személyi sérüléshez vezethet. Őrizze meg a biztonsági figyelmeztetéseket és az utasításokat, hogy azokat később is használhassa referenciaként.

A használati útmutatóban és a terméken a következő jelölésekkel találkozhat:



Olvassa el a használati útmutatót.



Jelzi a személyi sérülések, az életveszély vagy a szerszám károsodásának veszélyét a használati útmutató utasításainak be nem tartása esetén.



Áramütés veszélye.



A vezeték sérülése esetén és karbantartáskor azonnal válassza le a csatlakozódugót a hálózati áramellátásról.



Viseljen hallásvédő eszközt.



Viseljen védőszemüveget.



Földelés szimbólum. Ez a készülék I-es védelmi osztályú készüléknek minősül, és földelt aljzathoz kell csatlakoztatni.



A terméket hulladékként ne tegye arra nem alkalmas konténerbe.



A termék megfelel a vonatkozó biztonsági követelményeinek

ÁLTALÁNOS FIGYELMEZTETÉSEK AZ ELEKTROMOS SZERSZÁMOK BIZTONSÁGOS HASZNÁLATÁRA VONATKOZÓAN



FIGYELMEZTETÉS! Olvasson el minden biztonsági figyelmeztetést és utasítást. A figyelmeztetések és az utasítások be nem tartása áramütést, tüzet és/vagy súlyos sérülést okozhat.

Az összes figyelmeztetést és utasítást őrizze meg, mert később még szüksége lehet rájuk.

A figyelmeztetésben használt „elektromos szerszám” kifejezés a hálózatról működtetett (vezetékes) elektromos szerszámra vagy akkumulátoros (vezeték nélküli) elektromos szerszámra utal.

1) A munkaterület biztonsága

- Gondoskodjon a munkaterület tisztaságáról és megfelelő megvilágításáról.** A rendezetlen és sötét területeken valószínűbb a balesetek előfordulása.
- Ne használjon elektromos szerszámot robbanásveszélyes környezetben, pl. gyúlékony folyadékok, gázok vagy por jelenlétében.** Az elektromos szerszámok használata során keletkező szikra lángra lobbanthatja a port és a füstöt.
- Az elektromos szerszám használata során a gyermekeket és a közelben tartózkodó személyeket tartsa távol a munkaterülettől.** Ha valami eltereli a figyelmét, elveszítheti az irányítást.

2) Elektromos biztonság

- Az elektromos szerszám dugóinak megfelelőnek kell lenniük az aljzathoz. Soha ne próbálja semmilyen módon módosítani a dugót. Földelt elektromos szerszámhoz ne használjon semmilyen adapterdugót.** Az eredeti (értsd: módosítás nélküli) dugók és megfelelő hálózati aljzatok használatával mérsékelhető az elektromos áramütés veszélye.
- Ügyeljen arra, hogy teste ne érintkezzen földelt felületekkel, például csövezetekkel, radiátorral, tűzhellyel vagy hűtőszekrényel.** Ha teste földelődik, megnő az áramütés kockázata.
- Óvja az elektromos szerszámokat az esőtől és nedves környezettől.** Az elektromos szerszámba kerülő víz növeli az elektromos áramütés veszélyét.
- Ne használja helytelenül (nem rendeltetésszerűen) a kábelt. A kábelt soha ne használja az elektromos szerszám hordozására, húzására vagy az aljzathoz történő kihúzására. A kábelt tartsa távol hőforrásoktól, olajtól, hegyes élektől és mozgó alkatrészekről.** A sérült vagy megtekeredett kábelek növelik az elektromos áramütés veszélyét.

- e) **Az elektromos szerszám kültéri használata esetén kültéri használatra alkalmas hosszabbító kábelt használjon.** A kültéri használatra alkalmas kábel használatával mérsékelhető az elektromos áramütés veszélye.
- f) **Ha az elektromos szerszámot mindenképpen nedves környezetben kell használni, akkor használjon áramvédő kapcsolóval (RCD) ellátott tápforrást.** Az áramvédő kapcsolóval ellátott tápforrás használatával mérsékelhető az elektromos áramütés veszélye.

3) Személyi biztonság

- a) **Az elektromos szerszám használata során maradjon éber, koncentráljon az éppen végzett műveletre és használja a józan ítélőképességét. Ha fáradt, vagy ha kábítószert, alkoholt vagy gyógyszer hatása alatt áll, ne használjon elektromos szerszámot.** Az elektromos szerszámok használata közben egyetlen pillanatnyi figyelmetlenség is súlyos személyi sérülést okozhat.
- b) **Használjon egyéni védőfelszerelést. Mindig viseljen szemvédő felszerelést.** A megfelelő körülményekhez való védőeszközökkel (például pormaszkkal, csúszásgátló biztonsági cipővel, munkavédelmi sisakkal vagy hallásvédő eszközzel) csökkenthető a személyi sérülések kockázata.
- c) **Gondoskodjon a gép véletlen elindulásának a megelőzéséről. A szerszám tápforráshoz és/vagy akkumulátorcsomaghoz történő csatlakoztatása, kézbevétele vagy hordozása előtt győződjön meg róla, hogy a kapcsoló OFF (kikapcsolt) állásban van.** Ha úgy hordozza az elektromos szerszámot, hogy az ujjja a kapcsolón van, vagy úgy helyezi feszültség alá, hogy a kapcsolója ON (bekapcs.) helyzetben van, ez növeli a balesetek kockázatát.
- d) **Az elektromos szerszám bekapcsolása előtt távolítsa el a csavarkulcsokat vagy beállító kulcsokat.** Az elektromos szerszám forgó alkatrészein felejtett csavarkulcs vagy beállító kulcs személyi sérülést okozhat.
- e) **Ne próbáljon túlnyújtóztatni vagy kitekeredett testhelyzetben dolgozni. Mindig két lábbal, egyensúlyát megtartva álljon a talajon.** Így könnyebben tudja irányítani az elektromos szerszámot a váratlan helyzetekben.
- f) **Viseljen megfelelő öltözetet. Ne viseljen laza ruhát vagy ékszert. Haját, ruháját és**

kesztyűjét tartsa távol a mozgó alkatrészekről. A mozgó alkatrészek behúzhatják a ruhákat, az ékszereket és a hosszú haját.

- g) **Ha a szerszámhoz porelszívó és porgyűjtő eszköz is lehet csatlakoztatni, akkor gondoskodjon ezek csatlakoztatásáról és megfelelő használatáról.** A porgyűjtő rendszerek használatával csökkenthetők a porral kapcsolatos veszélyek.
- h) **Ne engedje, hogy a szerszámok gyakori használata során szerzett tapasztalatai túlzott biztonságérzetet keltsenek Önben, és amiatt elhanyagolja a biztonsági alapelveket.** A figyelmetlenségnek pillanatok alatt súlyos sérülés lehet a következménye.
- 4) **Az elektromos szerszám használata és ápolása**
- a) **Az elektromos szerszámot tilos túlzott erőfeszítéssel használni. Az alkalmazási célnak megfelelő elektromos szerszámot használjon.** A megfelelő elektromos szerszám jobban és biztonságosabban végzi a munkát azon a fordulatszámon, amire azt tervezték.
- b) **Ne használja az elektromos szerszámot, ha az nem kapcsolható be/ki a főkapcsolóval.** Bármely elektromos szerszám veszélyes lehet, amit a kapcsolóval nem lehet irányítani, ezért az ilyen elektromos szerszámot meg kell javíttatni.
- c) **Válassza le a dugót a tápforrásról és/vagy az akkumulátorcsomagot az elektromos szerszámról, mielőtt bármilyen módosítást végez, tartozékot cserél vagy eltávolítja az elektromos szerszámot.** Ezekkel a megelőző biztonsági intézkedésekkel csökkenthető az elektromos termék véletlen elindulásának a kockázata.
- d) **A használaton kívüli elektromos szerszámot olyan helyen tárolja, ahol gyermekek nem férhetnek hozzá; ne engedje, hogy olyan személyek használják, akik az elektromos szerszámot és ezeket az utasításokat nem ismerik.** Az elektromos szerszám szakképzetlen felhasználók kezében rendkívül veszélyes lehet.
- e) **Tartsa karban az elektromos szerszámokat. Ellenőrizze, hogy a mozgó alkatrészek nem állítódta-e el vagy nem szorulnak-e, nincsenek-e a szerszámon törött alkatrészek, és nem állnak-e fenn olyan körülmények, amelyek befolyásolhatják a szerszám működését. Ha az elektromos szerszám sérült, használat előtt javíttassa meg.** A hanyagul

karbantartott elektromos szerszámok sok balesetet okoznak.

f) **Tartsa élesen és tisztán a vágószerszámokat.**

A megfelelően karbantartott, éles vágószerszámok beszorulásának kisebb a valószínűsége, ráadásul könnyebben irányíthatók.

g) **Az elektromos szerszámot, tartozékokat és szerszámszárakat stb. a használati útmutatónak megfelelően használja, a munkakörülmények és az elvégzendő feladat figyelembevételével.**

Az elektromos szerszám nem rendeltetésszerű használata veszélyhelyzetet teremthet.

h) **Tartsa a fogantyúkat és egyéb markolási felületeket szárazon, tisztán, olajtól és zsírtól mentesen.** Váratlan helyzetekben a csúszós fogantyúk és egyéb markolási felületek akadályozzák a szerszám biztonságos kezelését és irányítását.

5) **Szerviz**

- a) **Az elektromos szerszámot képzett javító szakemberrel javíttassa, csakis az eredetivel azonos pótalkatrészeket használjon fel.** Ez szavatolja, hogy az elektromos szerszám továbbra is biztonságos maradjon.

TOVÁBBI BIZTONSÁGI UTASÍTÁSOK A CSEMPEVÁGÓRA VONATKOZÓAN

- A munka megkezdése előtt ellenőrizze az elektromos szerszámot, különösen a gyémánttárcsát, hogy nincs-e rajta sérülés. A szerszám zavartalan működésének biztosítása érdekében minden egyes alkatrésznek megfelelően kell illeszkednie, és meg kell felelnie az összes követelménynek. A szerszám további használata előtt ellenőrizni kell, hogy a védőburkolatok vagy az enyhén sérült alkatrészek megfelelően működnek-e még. A mozgó alkatrészeknek, különösen a gyémánttárcsa védőelemének megfelelően kell illeszkednie, és nem szabad elakadnia. Ne használjon olyan szerszámokat, amelyeket nem lehet a kapcsolóval be- vagy kikapcsolni.
- A gyémánttárcsa védőelemét nem szabad elakasztani vagy eltávolítani.
- Az elakadt védőelemet azonnal meg kell javítani.
- A hasítókést nem szabad eltávolítani.

A gép használata előtt:

- Ellenőrizze a következőket:
 - *Megfelel az asztali köszörrűgép tápellátása az adattáblán feltüntetett feszültségnek?*
 - *Jó állapotban van a tápkábel és a csatlakozódugó (erős, kopás vagy egyéb sérülés nélkül)?*
- Használjon biztonsági szemüveget.
- Használjon porvédő álarcot.

A gép használatakor minden esetben

- Ellenőrizze, hogy a kapcsoló NEM bekapcsolt „ON/1” állásban van, mielőtt a gépet áramforrással csatlakoztatja.
- Mindig tartsa távol az elektromos vezetéket a gép mozgó alkatrészeitől.

Azonnal kapcsolja le a gépet a következő esetekben:

- A csatlakozódugó vagy a tápkábel hibás vagy sérült.
- A kapcsoló meghibásodott.
- Füstszagot vagy égő szigetelést érez.

Elektromos biztonság

Elektromos berendezések használatakor mindig tartsa be az adott ország biztonsági előírásait, hogy csökkentse a tüzesetek, az áramütés és a személyi sérülés kockázatát. Olvassa el a következő biztonsági utasításokat.



Mindig ellenőrizze, hogy a tápellátás megfelel-e az adattáblán feltüntetett feszültségnek.



Figyelmeztetés! *A gép biztonságos működtetéséhez földelt konnektorra van szükség. Ne csatlakoztassa a készüléket földeletlen konnektorhoz.*

Hosszabbító kábelek használata

Csak a gép felvett teljesítményéhez megfelelő, jóváhagyott hosszabbító kábelt használjon. A vezeték minimális keresztmetszete: 1,5 mm². Kábeldob használatakor mindig teljesen tekersejle le a vezetéket. Ne használjon nem földelt hosszabbító kábeleket.

2. AZ ESZKÖZ ADATAI

Rendeltetészerű használat

Ez a szerszám különféle fal- és padlólapok vágására alkalmas, legfeljebb 500x500x35 mm-es csempemérettel. A gyémántkorongot a felhasználó kicserélheti. Az eszköz nem használható egyéb anyagokhoz.

MŰSZAKI ADATOK

Modellsz.	TC502AC
Feszültség	230 V~ / 50 Hz
Névleges teljesítmény	300W S1 / 600W S6 15%
Vágókorong üresjáratú fordulatszáma	2990/perc
Max. vágásmélység 90°-nál	34 mm
Max. vágásmélység 45°-nál	18 mm
Vágási szög	0-45°
Vágókorong átmérő	Ø180mm x Ø22,2mm
Vágókorong vastagság	2,2 mm
Asztal méretei	360 x 330 mm
IP-besorolás	IP44
L _{PA} (hangnyomásszint)	87dB(A), K=3dB(A)
L _{WA} (Hangteljesítményszint)	100dB(A), K=3dB(A)

LEÍRÁS

A szövegbeli számok a 2–6. oldal képeire utalnak.

1. Vágóasztal
2. Vágókés
3. Vezetősín
4. Víztartály
5. Ferdeszög szabályozó gomb
6. Főkapcsoló
7. Síngomb
8. Mérővonalzó
9. Hasítókés csavarok
10. Hasítókés
11. Fűrészlapp védőburkolat
12. Alsó tárcsavédőelem
13. Hasítókés lemeze
14. Belső tárcsakarima
15. Külső tárcsakarima
16. Tárcsarögzítő anya

17. Motortengely
18. Gép
19. Kis csavarkulcs
20. Nagy csavarkulcs
21. Gérvetető
22. Alsó burkolatcsavarok
23. Rögzítőfuratok

3. ÖSSZESZERELÉS

A hasítókés és a tárcsavédő elem felszerelése (A, B ábra)

- A két csavart (9) kissé csavarja ki.
- Helyezze a hasítókés lábát (10) a csavarok alá (és kissé az asztal alá).
- Húzza meg a csavarokat (9).

A vágótárcsa felszerelése (A, C ábra)

- Távolítsa el a két csavart (22) az alsó tárcsavédő elemről (12). Ügyeljen arra, hogy a C1 ábrán látható csavarokat távolítsa el, és ne az alsó tárcsavédő elemen lévő két (kisebb) csavart.
- Távolítsa el az alsó tárcsavédőelemet (12).
- Távolítsa el az anyát (16) az óramutató járásával ellentétes irányba forgatva, és távolítsa el a külső karimát (15).
- Helyezze a tárcsát (2) a belső karimára (14).
- Helyezze fel a külső karimát (15) a tárcsára.
- Rögzítse a tárcsát úgy, hogy a külső karimát (15) fogja meg a nagy kulccsal (20), és húzza meg az anyát (16) az óramutató járásával megegyező irányba a kis kulccsal (19).

Az állítható vezetősín felszerelése (A ábra)

- Csatlakoztassa a gombot (7) a sínhez (3) a lemez segítségével (1 furatos menet). Ekkor még ne húzza meg teljesen a csavart.
- Csúsztassa a teljes sánt (lazán rögzített) gombokkal az asztalra; a lemezekkel az asztal belső oldalán.
- Helyezze a sánt (3) a kívánt távolságra a tárcsától (2).
- Húzza meg a gombokat (7) a sín rögzítéséhez.

A víztartály felszerelése (A, D ábra)



Mindig használja a víztartályt (4), és ügyeljen arra, hogy a vízszint a jelzett MIN és MAX jelzések között legyen.

A gépet feltétlenül a mellékelt víztartállyal használja. A gépet feltétlenül a mellékelt víztartállyal (4) használja. A víz lehűti a tárcsát, jelentősen meghosszabbítva annak élettartamát. Ezenkívül a víz csökkenti a porkepződést.

- Helyezze a gépet egy felületre, és helyezze a víztartályt (4) az alsó tárcsavédő elem (12) alá.
- Győződjön meg arról, hogy a víztartály megfelelően van elhelyezve: a víztartály Öntől legtávolabbi szélénél illeszkednie kell az alsó tárcsavédő elem (12) és a gép fémfelülete közé.

A csempevágó telepítése (A, D ábra)

- A csempevágót csak rögzített szerszámként szabad használni, és csak egyenes és vízszintes felületre szabad csavarozni. Használja a szerelőfuratokat (23) a gép talpán.
- Az elektromos hálózatot 230 V-os földelt fali aljzathoz kell csatlakoztatni. A hálózati feszültségnek meg kell felelnie a típustáblán szereplő adatoknak, és megszakítóval kell védeni.
- Ne használja a tápkábelt a csatlakozódugó konnektorból való kihúzására. Védje a kábelt a hőtől, az olajtól és az éles tárgyaktól.



Csak a használati utasításban említett vagy a gyártó által javasolt vagy említett tartozékokat és segédberendezéseket használjon. Más tartozékok vagy segédberendezések használata sérülésveszélyt jelenthet Ön és mások számára.

4. HASZNÁLAT

A vágási munka megkezdése előtt mindig győződjön meg arról, hogy elegendő víz van a víztartályban. A gyémántkorongnak át kell futnia a vízen. Munka közben ügyeljen a vízszintre, hogy ne fogjjon ki váratlanul. Néhány vágás után öblítse le és cserélje ki a vizet, hogy ne szennyeződjön túl.



Ha (véletlenül) elegendő víz nélkül üzemelteti a gépet, csökkentheti a gép élettartamát, és gyorsan elromíthatja a korongot.



Tompá koronggal, elegendő víz nélkül vagy nagyon szennyezett vízzel történő vágás

durva vágásokat és/vagy megrepedt/letöredezett burkolólapokat eredményezhet. A legjobb eredmény érdekében: mindig győződjön meg arról, hogy a korong jó állapotban van, és elegendő tiszta víz van a tartályban.

- Mielőtt a vágást elkezdi, várja meg, hogy a tárcsa elérje a teljes forgási sebességét.
- A gyémántkorongot SOHA nem szabad kitenni oldalirányú nyomásnak. A korong az oldalirányú nyomás hatására összetörhet, és a repülő darabok lövedékekkel válhatnak!
- Ne próbáljon meg rendkívül kis darabokat vágni a csempekből. Mindig ügyeljen arra, hogy a csempe teljes felülete a munkaasztalon legyen. A mellékelt gérvezető segítségével a lapok áttolhatók a vágógépen. Különösen a vágás korai szakaszában a csempe teljesen vízszintesnek kell maradnia, hogy a csempe ne mozduljon felfelé.
- A szerszámot tilos túlterhelni. Megfelelőbb és biztonságosabb a megadott teljesítménytartományban dolgozni. Csak csempek vágására használja.
- Gondosan tartsa karban a szerszámait. A megfelelő és biztonságos munkavégzés érdekében tartsa a szerszámokat élesen és tisztán.
- Kövesse a karbantartási utasításokat és a gyémánttárcsa cseréjére vonatkozó utasításokat.
- Álljon biztonságosan és tartsa meg az egyensúlyát. Kerülje a természetellenes testhelyzeteket. Maradjon éber és figyeljen a munkájára. Hallgasson a józan észre. Ne használja a gépet, ha nem tud koncentrálni, vagy ha fáradt.
- Amennyiben a tápkábelt cserélni kell, azt a biztonsági kockázatok megelőzése céljából csak a gyártó vagy az általa megbízott szerelő végezheti el.

Teljes hosszban állítható sín (A, E ábra)

A sín (3) segítségével a vágótárcsával párhuzamosan vághat.

- Lazítsa meg a sín gombjait (7) és állítsa be a kívánt távolságot.
- Húzza meg a rögzítógombokat a vágóasztal (1) mindkét oldalán.
- A markerek határozzák meg a méréseket (8).

Gérvezető (A, F ábra)

Kövesse ugyanazt az eljárást az egyenes/ párhuzamos vágásnál, de használja a gérvezetőt (21) a sínhez (3) a csempe 45 fokos vágásához. Vágás előtt győződjön meg arról, hogy a csempe szilárdan a sínben van.

Ferdeszög beállítása (A, G ábra)

Az asztal felületének dőlésszöge 0° és 45° között változtatható.

- Lazítsa meg az asztal (1) elején és hátulján lévő ferdeszög szabályozó gombokat (5).
- Állítsa be a ferdeszöget az asztal (1) felfelé billentésével, amíg el nem éri a kívánt dőlést.
- Húzza meg ismét a gombokat (5) az asztal mindkét oldalán.

A gyémánttárcsa vizsgálata és cseréje (A, C ábra)

- A repedt vagy deformált gyémánttárcsákat azonnal ki kell cserélni.
- Tárcsatípus: 180 mm átmérőjű gyémánttárcsa.
- Ne használjon olyan tárcsát, amely nem felel meg a jelen útmutatóban szereplő előírásoknak.
- Győződjön meg róla, hogy a gyémánttárcsa megfelelően rögzítve van és a megfelelő irányba forog.

Gyémánttárcsa cseréje (C ábra)



A korong cseréje előtt válassza le a gépet az elektromos hálózatról

- Vegye ki a víztartályt (4) a gépből.
- Lazítsa meg a tárcsavédőelem gombjait (22) és távolítsa el a fröccsenésvédőt (12).
- Csavarja ki a tárcsa rögzítőanyát (16).
- Távolítsa el az ellenkarimát (15) és a korongot (2), és nyomja rá az új kést a karimára (14). Vegye figyelembe a korongon feltüntetett forgásirányt. Rögzítse az ellenkarimát (15).
- Húzza meg a rögzítő anyát (16) és szerelje fel a fröccsenés elleni védőburkolatot.

5. KARBANTARTÁS



Tisztítás és karbantartás előtt mindig kapcsolja ki a gépet, és húzza ki a tápkábelt.

Ezeket a gépeket minimális karbantartás mellett hosszú távú használatra terveztük. Folyamatos, megfelelő működése a megfelelő gondozástól és a rendszeres tisztítástól is függ.

Tisztítás

A motor túlmelegedésének a megelőzése érdekében tartsa tisztán a gép szellőzőnyílásait. Rendszeresen tisztítsa meg a gép házáig egy puha törölkendővel, lehetőleg minden egyes használat után. Ügyeljen rá, hogy a szellőzőnyílásokon ne legyen por vagy kosz. Ha a kosz másképp nem jön le, használjon egy szappanos vízzel átnedvesített puha törölkendőt. Soha ne használjon oldószereket (például benzint, alkoholt, ammóniás vizet stb.), mert ezek károsíthatják a műanyag alkatrészeket.

Használat után azonnal tisztítsa meg a szerszámot.

- Vegye ki a víztartályt a gépből, és engedje le a piszkos vizet.
- Csavarja le és tisztítsa meg a fröccsenésvédőt.
- Lazítsa meg a csillag alakú gombot, hajtsa fel az asztalt, és polírozza le az egész gépet.

Karbantartás

A gép megfelel minden érvényes biztonsági előírásnak. Javítást csak erre feljogosított cég végezhet, mert a nem szakképzett személyi javítási kísérletei a felhasználó és a közelben tartózkodók sérülését okozhatják. Rendszeresen ellenőrizze a tápkábelt és a csatlakozót, és ha megsérülnek, cseréltesse ki őket egy jóváhagyott céggel. Ellenőrizze az esetleges hosszabbító kábeleket is. A sérült biztonsági burkolatokat és csatlakozókat ki kell cserélni a gép újbóli használata előtt.

KÖRNYEZETVÉDELEM



Az áthúzott kerek kuka szimbólum azt jelenti, hogy ezt a terméket nem szabad a normál háztartási hulladékkal együtt kidobni. A szelektív válogatásban nem szereplő elektronikus és elektromos berendezések veszélyes anyagok jelenléte miatt potenciálisan veszélyesek a környezetre és az emberi egészségre. Kérjük, felelősségteljesen dobja ki egy jóváhagyott hulladék- vagy újrahasznosító létesítményben.

Csak EU országokban

Elektromos eszközt ne dobjon a háztartási hulladékba. Az elektromos és elektronikai hulladékokra vonatkozó, 2012/19/EK európai irányelv és annak a nemzeti törvénykezésbe történő átültetése értelmében az elhasznált elektromos készülékeket külön kell gyűjteni és környezetbarát módon kell ártalmatlanítani.

JÓTÁLLÁS

A VONROC termékei a legmagasabb minőségi normák szerint készülnek, és az eredeti vásárlás napjától számított, törvényileg előírt időtartamig garantáljuk, hogy anyag- és gyártási hibáktól mentesen fognak működni. Ha a termékben ezen időszak alatt bármilyen hiba jelentkezik anyag- és/vagy gyártási hiba miatt, kérjük, forduljon közvetlenül az Ön VONROC kapcsolattartójához.

A szavatosság nem vonatkozik a következő körülmények semelyikére sem:

- Nem hivatalos szervizközpontok javítást vagy módosítást végeztek (vagy megkíséreltek javítást vagy módosítást végezni) a gépen;
- Normál elhasználódás és kopás;
- Az eszközt erőszakosan vagy nem rendeltetésszerűen használták, vagy a karbantartása nem volt megfelelő;
- Nem eredeti pótalkatrészeket használtak.

A garancia a vállalat által (akár kifejezetten, akár hallgatólagosan) biztosított kizárólagos garancia. Nem biztosítunk más garanciákat (sem kifejezett, sem beleértett garanciákat, ideértve az értékesíthetőségre és az adott célra való alkalmasságra vonatkozó hallgatólagos garanciákat is), amelyek a jelen garancia hatókörén túlmutatnak. A VONROC semmilyen esetben sem felelős semmilyen járulékos vagy következményes kárért. A forgalmazók javításai kizárólag az előírásoknak nem megfelelő egységek vagy alkatrészek javítására és cseréjére vonatkoznak.

A termék és a használati útmutató változtatásának jogát fenntartjuk. A műszaki adatok előzetes bejelentés nélkül változhatnak.

1. BEZPEČNOSTNÍ POKYNY

Přečtete si příložené bezpečnostní výstrahy, dodatečné bezpečnostní výstrahy a bezpečnostní pokyny. Nebudete-li dodržovat tyto bezpečnostní výstrahy a pokyny, může dojít k úrazu elektrickým proudem, k vzniku požáru nebo k vážnému zranění. Ušchovejte tyto bezpečnostní výstrahy a pokyny pro budoucí použití.

V tomto návodu k obsluze a na tomto výrobku jsou použity následující symboly:



Přečtete si návod k obsluze.



Upozorňuje na riziko zranění osob, ztráty života nebo poškození zařízení, nebudou-li dodržovány pokyny uvedené v tomto návodu.



Nebezpečí úrazu elektrickým proudem.



Dojde-li k poškození napájecího kabelu a při každém provádění údržby vždy ihned odpojte zástrčku napájecího kabelu od síťové zásuvky.



Používejte ochranu sluchu.



Používejte ochranu zraku.



Symbol uzemnění. Tento spotřebič je klasifikován jako zařízení s třídou ochrany I a musí být připojen k uzemněné síťové zásuvce.



Nevyhazujte tento výrobek do nevhodného kontejneru.



Tento produkt je vyroben v souladu s platnými bezpečnostními normami.

ZÁKLADNÍ BEZPEČNOSTNÍ VÝSTRAHY PRO ELEKTRICKÉ NÁŘADÍ



VAROVÁNÍ! Přečtete si všechny bezpečnostní výstrahy a všechny pokyny. Nebudete-li dodržovat tyto bezpečnostní výstrahy a pokyny, může dojít k úrazu elektrickým proudem, ke vzniku požáru nebo k vážnému zranění.

Uchovejte všechny bezpečnostní výstrahy a pokyny pro budoucí použití.

Pojem elektrické nářadí v těchto varováních odkazuje na elektrické nářadí napájené z elektrické sítě (s napájecím kabelem) nebo z akumulátoru (bez napájecího kabelu).

1) Bezpečnost pracovního prostoru

- a) **Udržujte pracoviště uklizené a dobře osvětlené.** Neuklizená nebo tmavá místa přivolávají nehody.
- b) **Nepoužívejte elektrické nářadí ve výbušných prostředích, jako jsou místa s přítomností hořlavých kapalin, plynů nebo prachu.** V elektrickém nářadí dochází k jiskření, které může způsobit vznícení prachu nebo výparů.
- c) **Při práci s elektrickým nářadím zajistěte, aby se děti a okolostojící osoby zdržovaly v bezpečné vzdálenosti.** Rozptylování může způsobit ztrátu kontroly nad nářadím.

2) Elektrická bezpečnost

- a) **Zástrčka napájecího kabelu nářadí musí odpovídat zásuvce. Zástrčku nikdy žádným způsobem neupravujte. Nepoužívejte u uzemněného elektrického nářadí žádné adaptéry zástrček.** Neupravené zástrčky a odpovídající zásuvky sníží riziko úrazu elektrickým proudem.
- b) **Vyvarujte se kontaktu s uzemněnými povrchy, jako jsou potrubí, radiátory, trouby a ledničky.** Dojde-li k uzemnění vašeho těla, hrozí zvýšené riziko způsobení úrazu elektrickým proudem.
- c) **Nevystavujte elektrické nářadí dešti ani vlhkému prostředí.** Dostane-li se do elektrického nářadí voda, zvýší se riziko úrazu elektrickým proudem.
- d) **Nezacházejte špatně s napájecím kabelem. Nikdy nepoužívejte napájecí kabel pro přenášení nebo tahání tohoto elektrického nářadí a netahejte za tento kabel při vypořádání zástrčky ze zásuvky. Dbejte na to, aby tento kabel nepřecházel přes horké a mastné povrchy ani přes ostré hrany a aby se nedostal do kontaktu s pohyblivými se částmi.** Poškozené nebo zamotané kabely zvyšují riziko úrazu elektrickým proudem.
- e) **Používáte-li elektrické nářadí venku, použijte prodlužovací kabel vhodný pro venkovní použití.** Použití prodlužovacího kabelu pro

venkovní použití snižuje riziko úrazu elektrickým proudem.

- f) **Musíte-li používat toto elektrické nářadí ve vlhkém prostředí, použijte v elektrickém obvodu proudový chránič (RCD).** Použití proudového chrániče (RCD) snižuje riziko úrazu elektrickým proudem.
- 3) **Bezpečnost osob**
 - a) **Při práci s tímto elektrickým nářadím buďte stále pozorní. Sledujte, co provádíte, a používejte zdravý rozum. Nepoužívejte elektrické nářadí, jste-li unaveni nebo jste-li pod vlivem drog, alkoholu nebo léků.** Chvilková nepozornost při práci s elektrickým nářadím může způsobit velmi vážná zranění.
 - b) **Používejte osobní ochranné prostředky. Vždy používejte ochranu zraku.** Ochranné prostředky, jako jsou maska proti prachu, neklouzavá pracovní ochranná obuv, pevná přilba nebo chrániče sluchu, které jsou používány v příslušných podmínkách, zmenšují riziko způsobení zranění osob.
 - c) **Zabraňte náhodnému spuštění nářadí. Před připojením elektrického nářadí k napájecímu zdroji nebo před vložením akumulátoru do nářadí a také před zvednutím nářadí nebo před jeho přenášením se ujistěte, zda je vypínač na nářadí v poloze vypnuto.** Přenášení elektrického nářadí s prstem na spínači nebo připojení elektrického nářadí ke zdroji elektrické energie, je-li spínač v poloze zapnuto, zvyšuje pravděpodobnost vzniku nehod.
 - d) **Před zapnutím elektrického nářadí vždy odstraňte všechny klíče a seřizovací přípravky.** Klíče nebo seřizovací přípravky ponechané na rotující části elektrického nářadí mohou způsobit zranění osob.
 - e) **Nepřeceňujte své síly. Vždy udržujte správný postoj a rovnováhu.** Tak si zachováte lepší kontrolu nad nářadím v neočekávaných situacích.
 - f) **Vhodně se oblékejte. Nenoste volný oděv nebo šperky. Udržujte vlasy, oblečení a rukavice v bezpečné vzdálenosti od všech pohyblivých částí.** Volný oděv, šperky nebo dlouhé vlasy mohou být zachyceny pohyblivými se částmi.
 - g) **Jsou-li zařízení vybavena adaptérem pro připojení odsávacího systému, ujistěte se, zda je odsávací zařízení správně připojeno a zda správně plní svoji funkci.** Použití odsávání

prachu může snížit rizika spojená s prací v prašném prostředí.

- h) **Nedovolte, aby jistota získaná častým používáním nářadí vedla ke snížení vaší pozornosti a ignorování zásad bezpečné práce s nářadím.** Chvilková nepozornost může během zlomku sekundy způsobit vážné zranění.
- 4) Použití elektrického nářadí a jeho údržba**
- a) **Nepřetěžujte elektrické nářadí. Používejte pro prováděnou práci správné elektrické nářadí.** Správné elektrické nářadí provede práci lépe a bezpečněji, je-li použito pro práce, pro které je určeno.
- b) **Nepoužívejte elektrické nářadí, nepracujte-li správně jeho spouštěcí spínač.** Elektrické nářadí, které nelze ovládat pomocí spouštěcího spínače, je velmi nebezpečné a musí být opraveno.
- c) **Před prováděním jakéhokoliv seřízení, před výměnou příslušenství a/nebo před uložením odpojte napájecí kabel nářadí od napájecího zdroje, nebo z nářadí vyjměte akumulátor.** Tato preventivní bezpečnostní opatření snižují riziko náhodného spuštění elektrického nářadí.
- d) **Uložte nepoužívané elektrické nářadí mimo dosah dětí a nedovolte osobám, které nejsou obeznámeny s tímto nářadím nebo s těmito pokyny, aby toto elektrické nářadí používaly.** Elektrické nářadí je v rukách neproškolených osob nebezpečné.
- e) **Provádějte údržbu elektrického nářadí. Zkontrolujte nevyrovnání nebo vážnutí pohyblivých částí, poškození součástí a jiné stavy, které by mohly mít vliv na správnou funkci nářadí. Je-li elektrické nářadí poškozeno, zajistěte jeho opravu dříve, než jej použijete.** Mnohé nehody bývají způsobeny nedostatečnou údržbou elektrického nářadí.
- f) **Udržujte řezné nástroje ostré a čisté.** U správně udržovaných řezných nástrojů s ostrými řeznými břity je menší pravděpodobnost jejich zablokování a lépe se s nimi pracuje.
- g) **Používejte elektrické nářadí, příslušenství, pracovní nástroje atd. v souladu s těmito pokyny a berte v úvahu pracovní podmínky a práci, která má být provedena.** Použití elektrického nářadí pro práce, pro které není určeno, může vést k nebezpečným situacím.
- h) **Dbejte na to, aby byly rukojeti a úchopné povrchy suché, čisté a zbavené olejů a maziv.**

Kluzké rukojeti a úchopné plochy neumožňují bezpečnou manipulaci a ovládnání nářadí v neočekávaných situacích.

5) Servis

- a) **Svěřte opravu svého elektrického nářadí pouze osobě s příslušnou kvalifikací, která bude používat výhradně originální náhradní díly.** Tím zajistíte bezpečný provoz tohoto elektrického nářadí.

DALŠÍ BEZPEČNOSTNÍ POKYNY PRO ŘEZAČKU OBKLADŮ

- Před zahájením práce, zejména při použití diamantového kotouče, zkontrolujte, zda elektrické nářadí není poškozeno. Všechny díly musí být řádně namontovány a musí splňovat všechny požadavky, aby byl zaručen bezproblémový provoz nářadí. Všechny bezpečnostní kryty a jakékoli lehce poškozené díly musí být zkontrolovány, abyste se před dalším použitím tohoto nářadí ujistili, zda jsou stále funkční. Pohyblivé díly, zejména kryt diamantového kotouče, musí být řádně upevněny a nesmí docházet k jejich zablokování. Nepoužívejte toto nářadí, nemůže-li být zapnuto a vypnuto pomocí vypínače.
- Kryt diamantového kotouče nesmí být demontován a nesmí docházet k jeho zablokování.
- Kryt, u kterého dochází k zablokování, musí být ihned opraven.
- Rozpěrný klín nesmí být odmontován.

Než začnete stroj používat:

- Zkontrolujte následující:
 - *Odpovídá napájecí napětí na výkonovém štítku brusky napětí v elektrické síti?*
 - *Jsou napájecí kabel a jeho zástrčka v dobrém stavu (celistvé, bez roztržení nebo jiného poškození)?*
- Používejte ochranné brýle.
- Používejte ochrannou masku proti prachu.

Kdykoli používáte tento stroj

- Před připojením této brusky k elektrické síti vždy zkontrolujte, že vypínač NENÍ v poloze „ON/1“.
- Napájecí kabel vždy udržujte v bezpečné vzdálenosti od pohyblivých částí stroje.

V následujících případech toto nářadí okamžitě vypněte:

- Došlo k poškození zástrčky nebo napájecího kabelu.
- Spínač je vadný.
- Vidíte kouř nebo cítíte zápach spálené izolace.

Elektrická bezpečnost

Používáte-li elektrická zařízení, vždy dodržujte bezpečnostní předpisy platné ve vaší zemi, aby bylo omezeno riziko vzniku požáru, zásahu elektrickým proudem nebo zranění. Prostudujte si následující bezpečnostní pokyny.



Vždy zkontrolujte, zda se napájecí napětí sítě shoduje s napájecím napětím na výkonovém štítku.



Varování! Pro bezpečný provoz tohoto stroje je potřebné napájení z uzemněné síťové zásuvky. Stroj nepřipojujte k neuzemněným elektrickým zásuvkám.

Použití prodlužovacích kabelů

Používejte pouze schválený prodlužovací kabel, který je vhodný pro příkon tohoto stroje. Minimální průřez vodiče je 1,5 mm². Používáte-li cívku s kabelem, vždy z cívky odviňte celý kabel. Nepoužívejte neuzemněné prodlužovací kabely.

2. INFORMACE O ZAŘÍZENÍ

Zamýšlené použití

Toto nářadí je vhodné k řezání různých stěnových obkladů a podlahové dlažby při maximální velikosti jednotlivých obkladaček nebo dlaždic činící 500x500x35 mm. Výměnu diamantového kotouče může provádět uživatel. Použití tohoto nářadí pro práci s jinými materiály není povoleno.

TECHNICKÉ ÚDAJE

Model č.	TC502AC
Napětí	230 V~ / 50 Hz
Jmenovitý výkon	300 W S1 / 600 W S6 15%
Otáčky řezacího kotouče naprázdno	2990/min
Max. hloubka řezu při úhlu 90°	34 mm
Max. hloubka řezu při úhlu 45°	18 mm

Úhel řezu	0-45°
Průměr řezacího kotouče	Ø180 mm x Ø22,2 mm
Tloušťka řezacího kotouče	2,2 mm
Rozměry stolu	360 × 330 mm
Stupeň krytí IP	IP44
L _{PA} (hladina akustického tlaku)	87 dB(A), K = 3 dB(A)
L _{WA} (hladina akustického výkonu)	100 dB(A), K = 3 dB(A)

POPIS

Čísla v následujícím textu odkazují na obrázky na stranách 2-6.

1. Pracovní stůl
2. Řezací kotouč
3. Vodítko
4. Zásobník na vodu
5. Otočná rukojeť pro seřizování úhlu úkosu
6. Vypínač
7. Otočná rukojeť pro seřizování vodítka
8. Pravitko s odměřovací stupnicí
9. Šrouby rozpěrného klínu
10. Rozpěrný klín
11. Ochranný kryt kotouče
12. Spodní ochranný kryt kotouče
13. Plech rozpěrného klínu
14. Vnitřní příruba kotouče
15. Vnější příruba kotouče
16. Upínací matice kotouče
17. Osa motoru
18. Stroj
19. Malý klíč
20. Velký klíč
21. Vodítko pokosových řezů
22. Šrouby spodního ochranného krytu
23. Montážní otvory

3. SESTAVENÍ

Montáž rozpěrného klínu a ochranného krytu kotouče (obr. A, B)

- Povolte dva šrouby (9) a částečně je vyšroubujte.
- Umístěte patku rozpěrného klínu (10) pod šrouby (a částečně také pod stůl).
- Utáhněte šrouby (9).


Montáž řezacího kotouče (obr. A, C)

- Vyjměte dva šrouby (22) ze spodního ochranného krytu (12) kotouče. Ujistěte se o tom, že jste vyjmuli šrouby, které jsou označeny na obrázku C1, a nikoli dva níže umístěné (menší) šrouby nacházející se ve spodním ochranném krytu kotouče.
- Sejměte spodní ochranný kryt (12) kotouče.
- Odstraňte matici (16) tím, že ji povolíte a otočíte proti směru hodinových ručiček, a poté sejměte vnější přírubu (15).
- Umístěte kotouč (2) na vnitřní přírubu (14).
- Umístěte vnější přírubu (15) na kotouč.
- Zajistěte kotouč tím, že přidržíte vnější přírubu (15) pomocí velkého klíče (20) a utáhnete matici (16) otočením proti směru hodinových ručiček pomocí malého klíče (19).

Montáž nastavitelného vodítka (obr. A)

- Připojte otočnou rukojeť (7) s vodítkem (3) za použití plechu (opatřeného 1 otvorem se závitem). Otočnou rukojeť ještě zcela neutahujte.
- Nasuňte úplné vodítko s otočnými rukojeťmi (volně připevněnými) na stůl tak, aby plechy směřovaly k vnitřní straně stolu.
- Umístěte vodítko (3) v požadované vzdálenosti od kotouče (2).
- Utažením otočných rukojetí (7) zajistěte nastavenou polohu vodítka.

Montáž zásobníku na vodu (obr. A, D)

 *Při práci se strojem vždy používejte zásobník (4) na vodu a přitom se ujistěte, že hladina vody se nachází mezi značkami udávajícími MIN a MAX úroveň.*

Je nezbytné používat stroj s dodaným zásobníkem na vodu. Je nezbytné používat stroj s dodaným zásobníkem (4) na vodu. Voda chladí kotouč, čímž významně prodlužuje jeho životnost. Kromě toho voda snižuje prašnost.

- Umístěte stroj tak, aby spočíval na svém kovovém povrchu, a vložte zásobník (4) na vodu pod spodní ochranný kryt (12) kotouče.
- Ujistěte se, že zásobník na vodu je umístěn ve správné poloze: hrana zásobníku na vodu, která je nejdále od vás, se musí nacházet mezi dolním ochranným krytem (12) kotouče a kovovým povrchem stroje.

Instalace řezačky obkladů (obr. A, D)

- Řezačku obkladů lze používat pouze jako upevněné nářadí, a proto by měla být přišroubována k plochému horizontálnímu povrchu. K tomuto účelu používejte montážní otvory (23) v základně stroje.
- Elektrický přívod musí být připojen k uzemněné síťové zásuvce se střídavým napětím 230 V. Napájecí napětí v síti musí odpovídat údajům uvedeným na typovém štítku a musí být chráněno jističem.
- Nepoužívejte napájecí kabel pro odpojení zástrčky od síťové zásuvky. Chraňte kabel před teplem, olejem a ostrými předměty.



Používejte pouze příslušenství a přídavné vybavení uvedené v pokynech pro obsluhu nebo doporučené či uváděné výrobcem. Použití jiného příslušenství nebo přídavného zařízení může představovat riziko vašeho zranění nebo zranění jiných osob.

4. POUŽITÍ

Před zahájením řezání se vždy ujistěte, že v zásobníku dostatečně množství vody. Diamantový kotouč musí být při řezání chlazen vodou. Během práce pečlivě sledujte hladinu vody, aby nemohlo dojít k jejímu nečekanému spotřebování. Po provedení několika řezů vypláchněte zásobník a vyměňte vodu, aby bylo zamezeno jejímu případnému nadměrnému znečištění.



(Náhodný) provoz stroje bez dostatečného přívodu vody může způsobit zkrácení životnosti stroje a rychlé otupení kotouče.



Řezání s tupým kotoučem bez dostatečného přívodu vody nebo s přívodem velmi znečištěné vody může mít za následek vznik hrubých řezných ploch a/nebo prasklých / vylomených hran obkladů či dlaždic. Abyste dosahovali nejlepších výsledků, vždy se ujistěte o tom, že kotouč je v dobrém stavu a že v zásobníku je dostatečné množství čisté vody.

- Před zahájením řezání počkejte, než kotouč dosáhne svých plných otáček.
- Diamantový kotouč nesmí být NIKDY vystavován účinku bočního tlaku. Při působení bočního

tlaku se kotouč může roztříštit a jeho úlomky mohou být prudce vymršťeny!

- Nepokoušejte se z obkladů řezat příliš malé kousky. Vždy se ujistěte, zda je na pracovním stole celá plocha řezaného obkladu. Dodané vodítko pro pokosové řezy může být použito k protlačení obkladu přes řezačku. Zejména v první fázi řezání musí obklad zůstat absolutně srovnaný, aby bylo zabráněno jeho pohybu směrem nahoru.
- Nepřetěžujte toto nářadí. Lepší a bezpečnější je pracovat v uvedeném výkonovém rozsahu. Neřežte jiné materiály, než jsou obklady.
- Provádějte pečlivou údržbu nářadí. Udržujte řezné nástroje ostré a čisté, abyste mohli pracovat správně a bezpečně.
- Dodržujte pokyny pro údržbu a pokyny pro výměnu diamantového kotouče.
- Stůjte v bezpečné poloze a udržujte rovnováhu. Vyvarujte se jakékoli nepřírozené polohy těla. Buďte pozorní a věnujte patřičnou pozornost prováděné práci. Používejte zdravý rozum. Nepracujte s tímto strojem, nemůžete-li se koncentrovat nebo jste-li unaveni.
- Je-li nutná výměna napájecího kabelu, musí být provedena výrobcem nebo jeho autorizovaným zástupcem, aby bylo zabráněno bezpečnostnímu riziku.

Vodítko nastavitelné v celém rozsahu délky (obr. A, E)

Toto vodítko (3) vám umožňuje provádět řezy rovnoběžné s pilovým kotoučem.

- Povolte otočné rukojeti (7) vodítka a nastavte požadovanou vzdálenost.
- Utáhněte otočné rukojeti na obou stranách pracovního stolu (1).
- Značky na stupnici pravítka (8) určují rozměry.

Vodítko pokosových řezů (obr. A, F)

Při řezání obkladů či dlaždic pod úhlem o velikosti 45 stupňů dodržujte stejný postup, jaký je stanoven pro přímé / rovnoběžné řezání, používejte však vodítko (21) pokosových řezů přiléhající k vodítku (3). Před provedením řezu se vždy ujistěte, že obkladačka či dlaždice je zasunuta do vodítka, které ji pevně přidržuje.

Seřizování úhlu úkosu (obr. A, G)

Povrch stolu umožňuje proměnné nastavení sklonu mezi úhly úkosu v rozsahu od 0° do 45°.

- Povolte otočné rukojeti (5) pro seřizování úhlu úkosu na přední i zadní straně stolu (1).
- Nastavte úhel úkosu nakloněním stolu (1) do polohy, při které bude dosaženo požadovaného sklonu.
- Otočné rukojeti (5) na obou stranách stolu opět utáhněte.

Kontrola a výměna diamantového kotouče (obr. A, C)

- Prasklé nebo zkrivené diamantové kotouče je nutno ihned vyměnit.
- Typ kotouče: diamantový kotouč s průměrem 180 mm.
- Nepoužívejte kotouče, které neodpovídají specifikacím uvedeným v tomto návodu.
- Ujistěte se, zda je diamantový kotouč řádně zajištěn a zda se otáčí správným směrem.

Výměna diamantového kotouče (obr. C)



Před zahájením provádění výměny kotouče odpojte stroj od elektrické sítě

- Sejměte ze stroje zásobník (4) na vodu.
- Povolte upevňovací šrouby (22) ochranného krytu (12) kotouče proti rozstříku a poté tento kryt sejměte.
- Povolte upínací matici (16) kotouče.
- Sejměte vnější přírubu (15) a kotouč (2) a nasuňte nový kotouč na vnitřní přírubu (14). Berte v úvahu směr otáčení kotouče vyznačený na kotouči. Připevněte vnější přírubu (15).
- Utáhněte upínací matici (16) a namontujte zpět ochranný kryt proti rozstříku.

5. ÚDRŽBA



Před čištěním a prováděním údržby vždy stroj vypněte a odpojte napájecí kabel.

Tyto stroje jsou navrženy tak, aby pracovaly dlouhou dobu s minimálními nároky na údržbu. Nepřetržitý uspokojivý provoz závisí na řádné péči o toto zařízení a na jeho pravidelném čištění.

Čištění

Udržujte větrací drážky na zařízení čisté, abyste zabránili přehřátí motoru. Pravidelně čistěte kryt stroje měkkým hadrem, pokud možno po každém použití. Dbejte na to, aby nebyly větrací drážky zaneseny prachem a jinými nečistotami.

Nemůžete-li nečistoty odstranit, použijte měkký hadřík navlhčený v mýdlovém roztoku. Nikdy nepoužívejte rozpouštědla, jako jsou benzín, líh, čpavek atd., protože tato rozpouštědla mohou poškodit plastové díly.

Nářadí vždy ihned po použití očistěte.

- Vyjměte ze stroje zásobník na vodu a vylijte znečištěnou vodu.
- Odšroubujte ochranný kryt proti rozstříku a očistěte jej.
- Povolte křížovou otočnou rukojeť, odklopte stůl nahoru a celý stroj otřete dočista.

Údržba

Tento stroj splňuje požadavky všech platných bezpečnostních předpisů. Opravy smějí být prováděny pouze autorizovanými servisy, protože opravy prováděné nekvalifikovanými osobami mohou způsobit zranění uživatelů a okolních stojících osobám. Provádějte pravidelnou kontrolu kabelu jeho zástrčky a v případě zjištění jejich poškození zajistěte provedení výměny v autorizovaném servisním středisku. Provádějte také kontrolu prodlužovacích kabelů. Před opětovným použitím tohoto stroje musí být vyměněny poškozené ochranné kryty a spínače.

OCHRANA ŽIVOTNÍHO PROSTŘEDÍ



Symbol přeškrtnuté nádoby na odpad znamená, že tento výrobek nesmí být likvidován společně s běžným domovním odpadem. Elektronická a elektrická zařízení, která nejsou zahrnuta do procesu selektivního třídění, jsou potenciálně nebezpečná pro životní prostředí a lidské zdraví kvůli přítomnosti nebezpečných látek. Zlikvidujte je, prosím, zodpovědně ve schváleném sběrném nebo recyklačním zařízení.

Pouze pro země EU

Nevyhazujte elektrická nářadí do běžného domácího odpadu. Podle evropské směrnice 2012/19/EU týkající se likvidace elektrických a elektronických zařízení a její implementace do vnitrostátního práva, musí být nepoužívaná elektrická nářadí shromažďována odděleně a jejich likvidace musí být provedena tak, aby nedošlo k ohrožení životního prostředí.

ZÁRUKA

Výrobky VONROC jsou vyvíjeny v souladu s požadavky norem na nejvyšší kvalitu a je zaručeno, že po dobu platné záruky, která začíná běžet dnem původního nákupu, nebudou na těchto výrobcích žádné vady materiálů, ani vady způsobené špatným dílenským zpracováním. Dojde-li během tohoto období k závadě v důsledku vady materiálu nebo dílenského zpracování, kontaktujte přímo firmu VONROC.

Z této záruky jsou vyloučeny následující případy:

- Opravy nebo úpravy tohoto zařízení byly provedeny nebo byly provedeny pokusy o jejich provedení v neautorizovaných servisních střediscích;
- Běžné opotřebování;
- Toto zařízení bylo nesprávně použito, nevhodně použito nebo nebyla prováděna jeho správná údržba;
- Byly použity neoriginální náhradní díly.

Výše uvedené představuje jedinou záruku poskytovanou společností, ať už výslovnou nebo předpokládanou. Neexistují žádné další záruky, výslovné ani předpokládané, které přesahují rámec zde uvedeného, včetně předpokládaných záruk prodejnosti a vhodnosti pro určitý účel. Společnost VONROC v žádném případě neodpovídá za jakékoli náhodné ani následné škody. Opravné prostředky prodejců se omezují výhradně na opravu nebo výměnu nevyhovujících jednotek nebo dílů.

Na tomto výrobku a v tomto návodu mohou být prováděny změny. Specifikace mohou být měněny bez dalšího upozornění.

1. INSTRUKCJĘ DOTYCZĄCĄ BEZPIECZEŃSTWA

Przeczytać dołączone ostrzeżenia dotyczące bezpieczeństwa, dodatkowe ostrzeżenia dotyczące bezpieczeństwa oraz instrukcję. Nieprzestrzeganie ostrzeżeń dotyczących bezpieczeństwa oraz instrukcji może prowadzić do porażenia prądem, pożaru i/lub poważnych obrażeń ciała. Zachować ostrzeżenia dotyczące bezpieczeństwa oraz instrukcje na przyszłość.

Następujące symbole są umieszczone w instrukcji obsługi lub na produkcie:



Przeczytać instrukcję obsługi.



Oznacza ryzyko obrażeń ciała, śmierci lub uszkodzenia narzędzia w razie nieprzestrzegania poleceń z instrukcji.



Ryzyko porażenia prądem.



Niezwłocznie odłączyć urządzenie od zasilania sieciowego w przypadku uszkodzenia kabla lub przed rozpoczęciem konserwacji.



Nosić ochronniki słuchu.



Nosić okulary ochronne.



Symbol uziemienia. Niniejsze urządzenie zostało sklasyfikowane jako urządzenie klasy I i musi zostać podłączone do uziemionego gniazdka zasilania.



Nie wyrzucać produktu do nieodpowiednich pojemników.



Ten produkt spełnia wymogi odpowiednich przepisów dotyczących bezpieczeństwa

OGÓLNE OSTRZEŻENIA DOTYCZĄCE BEZPIECZEŃSTWA ELEKTRONARZĘDZI



OSTRZEŻENIE! Przeczytać wszystkie ostrzeżenia dotyczące bezpieczeństwa i wszystkie instrukcje. Nieprzestrzeganie ostrzeżeń oraz instrukcji może prowadzić do porażenia prądem, pożaru i/lub poważnych obrażeń ciała.

Zachować ostrzeżenia oraz instrukcje na przyszłość.

Określenie „elektronarzędzie” w ostrzeżeniach dotyczy elektronarzędzia sieciowego (przewodowego) lub elektronarzędzia akumulatorowego (bezprowodowego).

- 1) Bezpieczeństwo miejsca pracy**
 - a) **Utrzymywać miejsce pracy w czystości i dobrze oświetlone.** Bałagan i ciemności w miejscu pracy prowadzą do wypadków.
 - b) **Nie używać elektronarzędzi w atmosferze wybuchowej, np. w obecności łatwopalnych cieczy, gazów lub pyłu.** Elektronarzędzia wytwarzają iskry, które mogą spowodować zapłon pyłu lub oparów.
 - c) **Podczas korzystania z elektronarzędzia nie pozwalać zbliżyć się dzieciom i osobom postronnym.** Odwrócenie uwagi może spowodować utratę panowania nad narzędziem.
- 2) Bezpieczeństwo elektryczne**
 - a) **Wtyczka elektronarzędzia musi pasować do gniazdka. Nigdy w żaden sposób nie modyfikować wtyczki. Nie używać żadnych przejściówek do wtyczek w połączeniu z uziemionymi elektronarzędziami.** Niemodyfikowane wtyczki i pasujące do nich gniazdka zmniejszają ryzyko porażenia prądem.
 - b) **Unikać dotykania uziemionych powierzchni, jak rury, grzejniki, kuchenki i lodówki.** Jeśli ciało jest uziemione, ryzyko porażenia prądem jest zwiększone.
 - c) **Nie narażać elektronarzędzi na deszcz, wodę lub wilgoć.** Przedostanie się wody do wnętrza elektronarzędzia zwiększy ryzyko porażenia prądem.
 - d) **Ostrożnie obchodzić się z kablem. Nigdy nie używać kabla do przenoszenia, ciągnięcia lub odłączania elektronarzędzia od gniazdka. Trzymać kabel z dala od gorąca, oleju, ostrych krawędzi i ruchomych części.** Uszkodzone lub splecione kable zwiększają ryzyko porażenia prądem.
 - e) **Podczas użytkowania elektronarzędzia na wolnym powietrzu używać przedłużacza przeznaczanego do użytku na wolnym powietrzu.** Używanie przedłużacza przeznaczanego do użytku na wolnym powietrzu zmniejsza ryzyko porażenia prądem.

- f) **Jeśli obsługa elektronarzędzia w wilgotnym miejscu jest nieunikniona, użyć zasilania wyposażonego w wyłącznik różnicowoprądowy.** Użycie wyłącznika różnicowoprądowego zmniejsza ryzyko porażenia prądem.
- 3) Bezpieczeństwo osobiste**
- a) **Zachować czujność, uważać na to, co się robi, a także stosować zdrowy rozsądek podczas korzystania z elektronarzędzia. Nie używać narzędzia, gdy jest się zmęczonym lub pod wpływem leków, alkoholu albo środków odurzających.** Chwila nieuwagi podczas obsługi elektronarzędzia może prowadzić do poważnych obrażeń ciała.
- b) **Stosować środki ochrony osobistej. Zawsze nosić okulary ochronne.** Wyposażenie ochronne, jak maska przeciwpyłowa, antypoślizgowe bezpieczne obuwie, kask lub ochronniki słuchu, używane w odpowiednich warunkach ogranicza występowanie obrażeń ciała.
- c) **Unikać niezamierzonego uruchomienia. Dopilnować, aby włącznik znajdował się w położeniu wyłączonym przed podłączeniem elektronarzędzia do źródła zasilania i/ lub akumulatora, jego podniesieniem lub przeniesieniem.** Przenoszenie elektronarzędzi z palcem na włączniku lub podłączenie do zasilania elektronarzędzi z włącznikiem w położeniu włączenia jest bardzo niebezpieczne i może powodować wypadki.
- d) **Usunąć wszelkie klucze lub inne narzędzia do regulacji przed włączeniem elektronarzędzia.** Klucz lub inne narzędzie pozostawione podłączone do obracającej się części narzędzia może prowadzić do obrażeń ciała.
- e) **Nie sięgać za daleko. Zawsze utrzymywać właściwe podparcie dla stóp i równowagę.** Pozwala to na lepsze panowanie nad elektronarzędziem w nieoczekiwanych sytuacjach.
- f) **Nosić odpowiednią odzież. Nie nosić luźnych ubrań ani biżuterii. Nie zbliżać włosów, odzieży i rękawic do ruchomych części.** Luźna odzież, biżuteria lub długie włosy mogą zostać pochwycone przez ruchome części.
- g) **Jeśli urządzenie jest wyposażone w włączce do podłączania do urządzeń do gromadzenia i odsysania pyłu, koniecznie je podłączyć i używać ich prawidłowo.** Gromadzenie pyłu pozwala na ograniczanie zagrożeń związanych z pyłem.
- h) **Nie zezwalać na to, aby rutyna związana z częstym korzystaniem z narzędzi powodowała nadmierną pewność siebie i ignorowanie zasad bezpiecznego korzystania z narzędzi.** Nieodpowiedzialne działanie może spowodować poważne obrażenia ciała w ułamku sekundy.
- 4) Użytkowanie i pielęgnacja elektronarzędzia**
- a) **Nie przeciążać elektronarzędzia. Używać narzędzia przystosowanego do określonego zastosowania.** Właściwe elektronarzędzie wykona pracę lepiej i bezpieczniej z szybkością, do jakiej jest przeznaczone.
- b) **Nie używać elektronarzędzia, jeśli jego włącznik nie pozwala na jego włączenie i wyłączanie.** Elektronarzędzie, którego nie można włączać i wyłączać włącznikiem jest niebezpieczne i musi zostać naprawione.
- c) **Odłączyć wtyczkę od źródła zasilania i/ lub odłączyć akumulator od elektronarzędzia przed rozpoczęciem przeprowadzania jakichkolwiek regulacji, wymianą akcesoriów lub rozpoczęciem przechowywania elektronarzędzia.** Takie środki zapobiegawcze ograniczają ryzyko przypadkowego uruchomienia elektronarzędzia.
- d) **Przechowywać nieużywane elektronarzędzia w miejscu niedostępnym dla dzieci i nie pozwalać osobom niezaznajomionym z elektronarzędziem lub tą instrukcją na obsługę elektronarzędzia.** Elektronarzędzia są niebezpieczne w rękach nieprzeszkolonych użytkowników.
- e) **Prawidłowo konserwować elektronarzędzia. Sprawdzić elektronarzędzie pod kątem niedopasowania lub utykania części ruchomych, pęknięcia części lub innych okoliczności, które mogą negatywnie wpływać na jego działanie. W razie uszkodzenia oddać elektronarzędzie do naprawy przed ponownym użyciem.** Wiele wypadków jest spowodowanych słabo konserwowanymi elektronarzędziami.
- f) **Utrzymywać narzędzia tnące naostrzone i czyste.** Właściwie konserwowane narzędzia tnące z ostrymi krawędziami tnącymi są mniej narażone na utykanie i łatwiej nad nimi zapanować.
- g) **Używać elektronarzędzia, akcesoriów i końcówek narzędziowych itp. zgodnie z tą instrukcją, uwzględniając warunki pracy**

i zadanie do wykonania. Wykorzystanie elektronarzędzia do zadań niezgodnych z jego przeznaczeniem może prowadzić do niebezpieczeństwa.

- h) **Uchwyty należy utrzymywać w stanie suchym, czystym i niezabrudzonym olejem lub smarem.** Śliskie uchwyty i powierzchnie do chwytania nie pozwalają na bezpieczne obchodzenie się z narzędziem i panowanie nad nim w nieoczekiwanych sytuacjach.

5) Serwis

- a) **Zlecać serwisowanie elektronarzędzia wykwalifikowanemu technikowi stosującemu jedynie części zamienne identyczne z oryginalnymi.** Zapewni to zachowanie bezpieczeństwa elektronarzędzia.

DODATKOWE INSTRUKCJE DOTYCZĄCE BEZPIECZEŃSTWA DLA PRZECINARKI DO PŁYTEK CERAMICZNYCH

- Sprawdzać elektronarzędzie pod względem uszkodzeń przed rozpoczęciem pracy, a w szczególności tarczę diamentową. Wszystkie części muszą być prawidłowo zamontowane i spełniać wszystkie wymogi, aby zapewnić bezproblemową pracę narzędzia. Wszelkie osłony i lekko uszkodzone części należy sprawdzić pod kątem prawidłowego funkcjonowania przed kontynuowaniem użytkowania narzędzia. Ruchome części, a w szczególności osłona tarczy diamentowej, muszą być prawidłowo zamontowane i nie mogą się zacinać. Nie używać narzędzi, których włączanie lub wyłączanie włącznikiem jest niemożliwe.
- Osłony tarczy diamentowej nie wolno blokować ani demontować.
- Zacinającą się tarczę należy niezwłocznie naprawić.
- Nie wolno demontować klina rozszczepiającego.

Przed włączeniem maszyny:

- Sprawdzać, czy spełnione są następujące wymogi:
 - *Czy parametry zasilania sieciowego są zgodne ze znamionowym napięciem szlifierki stołowej?*
 - *Czy kabel zasilania i jego wtyczka są w dobrym stanie (w całości, niepostrzępiony i pozbawiony innych uszkodzeń)?*

- Nosić okulary ochronne.
- Nosić maskę przeciwpyłową.

Przy każdym użyciu maszyny

- Sprawdzić, czy włącznik NIE znajduje się w położeniu „Wł./1” przed podłączeniem narzędzia do zasilania.
- Zawsze trzymać kabel zasilania z dala od ruchomych części narzędzia.

Niezwłocznie wyłączać maszynę:

- W razie wystąpienia usterki lub uszkodzenia wtyczki lub kabla zasilania.
- Gdy włącznik nie działa.
- Gdy czuć dym lub swąd palącej się izolacji.

Bezpieczeństwo elektryczne

Podczas korzystania z urządzeń elektrycznych przestrzegać przepisów dotyczących bezpieczeństwa obowiązujących w kraju użytkowania, aby ograniczyć ryzyko pożaru, porażenia prądem i obrażeń ciała. Przeczytać następujące instrukcje dotyczące bezpieczeństwa.



Zawsze sprawdzać, czy napięcie źródła zasilania jest zgodne z napięciem podanym na tabliczce znamionowej.



Ostrzeżenie! *Do bezpiecznej pracy tej maszyny wymagane jest uziemione gniazdo zasilania. Nie podłączać maszyny do nieziemionych gniazd zasilania.*

Korzystanie z przedłużaczy

Stosować jedynie atestowane kable przedłużeniowe przystosowane do mocy maszyny. Minimalny rozmiar przewodu to 1,5 mm². Podczas korzystania z kabla w zwoju, zawsze całkowicie rozwinąć zwój. Nie używać nieziemionych kabli przedłużeniowych.

2. INFORMACJE O URZĄDZENIU

Przeznaczenie

To narzędzie jest przeznaczone do przecinania różnych ceramicznych płytek (glazury i terakoty) o maksymalnych wymiarach 500 x 500 x 35 mm. Tarczę diamentową może wymienić użytkownik. Nie wolno używać narzędzia do pracy z innymi materiałami.

DANE TECHNICZNE

Nr modelu	TC502AC
Napięcie	230 V~ / 50 Hz
Moc znamionowa	300 W S1 / 600 W S6 15%
Prędkość tarczy tnącej bez obciążenia	2990/min
Maks. głębokość cięcia pod kątem 90°	34 mm
Maks. głębokość cięcia pod kątem 45°	18 mm
Kąt cięcia	0-45°
Średnica tarczy tnącej	Ø180 mm x Ø22,2 mm
Grubość tarczy tnącej	2,2 mm
Wymiary blatu	360 x 330 mm
Stopień IP	IP44
L _{PA} (poziom ciśnienia akustycznego)	87 dB(A), K = 3 dB (A)
L _{WA} (poziom mocy akustycznej)	100 dB(A), K = 3dB (A)

OPIS

Liczby w tekście odnoszą się do rysunków na stronach 2 - 6.

1. Błat do cięcia
2. Tarcza tnąca
3. Przegroda
4. Taca na wodę
5. Pokrętło regulacji kąta
6. Włącznik
7. Pokrętło przegrody
8. Podziałka
9. Śruby klina rozszczepiającego
10. Klin rozszczepiający
11. Osłona tarczy
12. Dolna osłona tarczy
13. Płytki klina rozszczepiającego
14. Wewnętrzna podkładka kołnierзова tarczy
15. Zewnętrzna podkładka kołnierзова tarczy
16. Śruba mocująca tarczy
17. Oś silnika
18. Narzędzie
19. Mały klucz
20. Duży klucz

21. Prowadnica ukośna
22. Śruba dolnej osłony
23. Otwory montażowe

3. MONTAŻ**Montaż klina rozszczepiającego i osłony tarczy (rys. A, B)**

- Lekko odkręcić dwie śruby (9).
- Umieścić stopkę klina rozszczepiającego (10) pod śrubami (i lekko pod blatem stołu).
- Dokręcić śruby (9).

Montaż tarczy tnącej (rys. A, C)

- Wykręcić dwie śruby (22) z dolnej osłony tarczy (12). Koniecznie wykręcić śruby oznaczone na rysunku C1, a nie dwie (mniejsze) śruby na spodzie dolnej osłony tarczy.
- Zdemontować dolną osłonę tarczy (12).
- Odkręcić nakrętkę (16), obracając ją przeciwnie do wskazówek zegara i zdjęć zewnętrzną podkładkę kołnierзова (15).
- Założyć tarczę (2) na wewnętrzną podkładkę kołnierзова (14).
- Założyć zewnętrzną podkładkę kołnierзова (15) na tarczę.
- Przymocować tarczę, przytrzymując zewnętrzną podkładkę kołnierзова (15) dużym kluczem (20) i dokręcając nakrętkę (16) zgodnie ze wskazówkami zegara małym kluczem (19).

Montaż regulowanej przegrody (rys. A)

- Połączyć pokrętło (7) z przegrodą (3) za pomocą płytki (1 otwór gwintowany). Jeszcze nie dokręcać pokrętła całkowicie.
- Wsunąć zmontowaną przegrodę z (luźno zamocowanymi) pokrętłami na blat - płytki po wewnętrznej stronie blatu.
- Ustawić przegrodę (3) w żądanej odległości od tarczy (2).
- Dokręcić pokrętła (7) w celu przymocowania przegrody.

Montaż tacy na wodę (rys. A, D)

Zawsze używać tacy na wodę (4) i dopilnować, aby poziom wody znajdował się pomiędzy oznaczeniami MIN i MAX.

Konieczne jest korzystanie z maszyny w połączeniu z dołączoną tacą na wodę. Konieczne jest korzystanie z maszyny w połączeniu z dołączoną

tacą na wodę (4). Woda chłodzi tarczę, znacząco wydłużając jej trwałość. Poza tym woda ogranicza powstawanie pyłu.

- Położyć maszynę na płaskiej powierzchni i umieścić tacę na wodę (4) pod dolną osłoną tarczy (12).
- Dopilnować, aby taca na wodę została włożona prawidłowo: krawędź tacy na wodę znajdująca się najdalej od użytkownika musi pasować pomiędzy dolną osłoną tarczy (12) a metalową powierzchnią na maszynie.

Instalacja przecinarki (rys. A, D)

- Przecinarki do płytek wolno używać wyłącznie jako stacjonarnego narzędzia przymocowanego i należy ją przymocować śrubami do poziomej i równej powierzchni. Wykorzystać otwory montażowe (23) w podstawie maszyny.
- Zasilanie elektryczne musi być podłączone do uzziemionego gniazda ściennego 230 V~. Napięcie sieciowe musi być zgodne z informacjami na tabliczce znamionowej i chronione wyłącznikiem obwodu.
- Nie ciągnąć za kabel zasilający w celu odłączenia wtyczki od gniazdka zasilania. Chronić kabel przed gorącym, olejem i ostrymi przedmiotami.



Używać wyłącznie osprzętu i akcesoriów podanych w instrukcji obsługi lub zalecanych albo wyznaczonych przez producenta. Korzystanie z innych akcesoriów lub innego osprzętu może powodować ryzyko obrażeń ciała operatora i innych osób.

4. OBSŁUGA

Przed rozpoczęciem cięcia zawsze sprawdzić, czy taca na wodę jest wystarczająco wypełniona wodą. Tarcza diamentowa musi częściowo zanurzać się w wodzie podczas pracy. Dokładnie zwracać uwagę na poziom wody podczas pracy, aby nie doszło do jej nagłego wyczerpania. Wymieniać wodę po kilku cięciach, aby nie była nadmierne zanieczyszczona.



(Niezamierzona) praca maszyną z niewystarczającą ilością wody może skrócić trwałość maszyny i spowoduje szybkie stępienie tarczy.



Cięcie tępą tarczą, bez wystarczającej ilości wody lub z użyciem silnie zanieczyszczonej wody może powodować powstawanie nierównych cięć i/lub pęknięcie/wyszczerbianie płytek. Aby uzyskać najlepsze rezultaty: zawsze sprawdzać, czy tarcza jest w dobrym stanie i czy w tacy znajduje się wystarczająca ilość czystej wody.

- Zawsze poczekać na osiągnięcie pełnej prędkości obrotowej przez tarczę przed rozpoczęciem cięcia.
- Tarcza diamentowa nie może być NIGDY narażona na nacisk z boku. Tarcza może się rozpaść pod naciskiem z boku, powodując powstanie niebezpiecznych kawałków poruszających się jak pociski!
- Nie próbować odcinać bardzo małych kawałków od płytek ceramicznych. Zawsze dopilnować, aby cała powierzchnia płytki znajdowała się na blacie roboczym. Dołączonej prowadnicy do cięcia skośnego można używać do popychania płytek przez maszynę. Szczególnie na początkowym etapie cięcia płytka musi pozostawać całkowicie poziomo, aby nie przesunęła się do góry.
- Nie przeciążać narzędzia. Lepiej i bezpieczniej pracować w zalecanym zakresie obciążeń. Nie przecinać materiałów innych niż płytki ceramiczne.
- Prawidłowo konserwować narzędzia. Utrzymywać narzędzia naostrzone i w czystości, aby działały prawidłowo i bezpiecznie.
- Przestrzegać instrukcji konserwacji oraz instrukcji wymiany tarczy diamentowej.
- Stać w bezpiecznym miejscu i utrzymywać równowagę. Unikać ustawiania ciała pod nienaturalnym kątem. Zachowywać czujność i koncentrować się na pracy. Kierować się zdrowym rozsądkiem. Nie używać maszyny, jeśli nie można się skoncentrować lub jest się zmęczonym.
- Jeśli wymiana przewodu zasilającego jest konieczna, aby zapewnić bezpieczeństwo, wymianę musi przeprowadzić producent lub jego przedstawiciel.

Pełnowymiarowa regulowana przegroda (rys. A, E)

Przegroda (3) pozwala na cięcie równoległe do tarczy tnącej.

- Poluzować pokrętkę przegrody (7) i ustawić żądaną odległość.
- Dokręcić pokrętkę przegrody po obu stronach blatu do cięcia (1).
- Oznaczenia pozwalają na pomiar wymiarów (8).

5. KONSERWACJA



Przed rozpoczęciem czyszczenia i konserwacji zawsze wyłączać urządzenie i odłączyć przewód zasilający.

Ta maszyna jest przeznaczona do długotrwałej pracy z minimalną konserwacją. Długotrwała udana praca zależy od odpowiedniej konserwacji i regularnego czyszczenia maszyny.

Czyszczenie

Utrzymywać szczeliny wentylacyjne maszyny w czystości, aby zapobiec przegrzewaniu silnika. Regularnie czyść obudowę urządzenia miękką ściereczką, najlepiej po każdym użyciu. Szczeliny wentylatora należy czyścić z kurzu i ziemi. Jeżeli ziemia nie chce zejść, należy użyć miękkiej szmatki oraz wody z mydłem. Nie używać żadnych rozpuszczalników, takich jak benzyna, alkohol, amoniak itp., ponieważ takie substancje mogą powodować uszkodzenie części z tworzyw sztucznych.

Zawsze czyścić narzędzie niezwłocznie po użyciu.

- Zdemontować tacę na wodę z maszyny i usunąć brudną wodę.
- Odkręcić osłonę przed pryskaniem i oczyścić ją.
- Poluzować pokrętkę w kształcie gwiazdki, złożyć blat do góry, po czym wytrzeć dokładnie całą maszynę.

Konserwacja

Maszyna jest zgodna z wszystkimi obowiązującymi przepisami bezpieczeństwa. Naprawy może przeprowadzać wyłącznie autoryzowana firma, ponieważ podjęcie próby naprawy przez osoby niewykwalifikowane może spowodować obrażenia ciała użytkownika i osób postronnych. Regularnie sprawdzać kabel zasilający i wtyczkę, a jeśli są one uszkodzone, muszą być wymienione przez autoryzowaną firmę. Sprawdzać również wszelkie przedłużacze. Uszkodzone osłony zabezpieczające i wyłączniki należy wymienić przed ponownym użyciem maszyny.

Prowadnica ukośna (rys. A, F)

Postępować zgodnie z taką samą procedurą, co dla cięcia równoległego/prostego, ale przykładając prowadnicę ukośną (21) do przegrody (3) w celu cięcia płytek pod kątem 45 stopni. Dopilnować, aby płytka była solidnie umieszczona w prowadnicy przed rozpoczęciem przecinania.

Regulacja kąta cięcia skośnego (rys. A, G)

Powierzchnia stołu pozwala na zmianę ustawień do cięcia skośnego między 0° a 45°.

- Poluzować pokrętkę regulacji kąta (5) z przodu i z tyłu blatu (1).
- Ustawić kąt cięcia skośnego, odchylając blat (1) do góry do czasu uzyskania wymaganego przechylenia.
- Dokręcić pokrętkę (5) na obu końcach blatu.

Kontrola i wymiana tarczy tnącej (rys. A, C)

- Pęknięte i odkształcone tarcze diamentowe należy niezwłocznie wymienić.
- Typ tarczy: diamentowa tarcza tnąca o średnicy 180 mm.
- Nie używać tarcz niezgodnych z parametrami podanymi w tej instrukcji.
- Dopilnować, by tarcza tnąca była zamontowana prawidłowo i obracała się w prawidłowym kierunku.

Wymiana tarczy tnącej (rys. C)



Odłączyć maszynę od zasilania przed wymianą tarczy

- Zdemontować tacę na wodę (4) z maszyny.
- Poluzować śruby mocujące osłony tarczy (22) i zdemontować osłonę przed pryskaniem (12).
- Poluzować nakrętkę mocującą tarczy (16).
- Usunąć kontrującą podkładkę kołnierзовą (15) i tarczę (2), po czym wcisnąć nową tarczę (14) na podkładkę kołnierзовą. Uważać na kierunek obrotów podany na tarczy. Zamontować kontrującą podkładkę kołnierзовą (15).
- Dokręcić nakrętkę mocującą (16) i zamontować osłonę przed pryskaniem.

OCHRONA ŚRODOWISKA



Symbol przekreślonego kosza na śmieci oznacza, że tego produktu nie wolno wyrzucać razem z normalnymi odpadami z gospodarstwa domowego. Sprzęt elektroniczny i elektryczny nieprzekazany do systemu zbiórki selektywnej stanowi potencjalne zagrożenie dla środowiska i zdrowia ludzi z powodu zawartości niebezpiecznych substancji. Prosimy o odpowiedzialne zachowanie i oddanie produktu do właściwego punktu zbiórki odpadów lub recyklingu.

Tylko kraje WE

Nie wyrzucać elektronarzędzi wraz z odpadami z gospodarstw domowych. Zgodnie z dyrektywą 2012/19/UE dotyczącą zużytych urządzeń elektrycznych i elektronicznych oraz jej wdrożeniem do prawodawstwa krajowego, elektronarzędzia, które już nie nadają się do użytku, podlegają oddzielnej zbiórce oraz utylizacji w sposób przyjazny dla środowiska.

GWARANCJA

Produkty VONROC są wytwarzane zgodnie z najwyższymi standardami jakości i producent udziela gwarancji na wady materiałowe i wady wykonania na okres wymagany prawem, licząc od dnia zakupu. Jeśli wystąpi usterka produktu w tym okresie spowodowana wadą materiałową i/lub wadą wykonania, proszę bezpośrednio skontaktować się ze sprzedawcą VONROC.

Następujące okoliczności powodują unieważnienie gwarancji:

- Przeprowadzono naprawy lub modyfikacje narzędzia w serwisie innym lub autoryzowany lub podjęto ich próbę,
- Normalne zużycie,
- Narzędzie było używane niezgodnie z przeznaczeniem, źle z nim się obchodzono lub było nieprawidłowo konserwowane,
- Użyto części zamiennych innych niż oryginalne.

Niniejsza gwarancja to wyłączna gwarancja producenta i nie obowiązują żadne inne wyrażone ani dorozumiane gwarancje. Nie obowiązują żadne inne wyrażone ani dorozumiane gwarancje

o zakresie przekraczającym niniejszą gwarancję, co obejmuje dorozumiane gwarancje przydatności do sprzedaży i przydatności do określonego celu. W żadnym przypadku firma VONROC nie ponosi odpowiedzialności za straty przypadkowe lub wynikowe. Zadośćuczynienie sprzedawcy jest ograniczone do naprawy lub wymiany niezgodnych urządzeń lub części.

Produkt i instrukcja obsługi podlegają zmianom. Dane techniczne podlegają zmianom bez uprzedzenia.

1. INSTRUCȚIUNI DE SIGURANȚĂ

Citiți avertizările de siguranță, avertizările de siguranță suplimentare și instrucțiunile. Nerespectarea avertizărilor de siguranță poate cauza producerea de electrocutări, incendii și/sau răniri grave. Păstrați manualul cu avertizările de siguranță și instrucțiunile de utilizare pentru referințe viitoare.

În manualul de utilizare sau pe produs se utilizează următoarele simboluri:



Citiți manualul de utilizare.



Indică riscul de rănire, pierderea vieții sau deteriorarea sculei în cazul în care nu se respectă instrucțiunile din acest manual.



Pericol de electrocutare.



Deconectați imediat ștecherul de la rețeaua electrică în cazul în care cablul este deteriorat și în timpul întreținerii.



Purtați protecții antifonice.



Purtați protecție pentru ochi.



Simbol de împământare. Acest aparat este clasificat în clasa de protecție I și trebuie conectat la o priză de rețea cu împământare.



Nu aruncați produsul în containere neadecvate.



Produsul este în conformitate cu standardul de siguranță aplicabil

AVERTISMENTE GENERALE DE SIGURANȚĂ PRIVIND SCULELE ELECTRICE



AVERTISMENT! Citiți toate manualele cu avertismentele și instrucțiunile pentru consultare ulterioară. Nerespectarea avertismentelor și instrucțiunilor poate cauza producerea de electrocutări, incendii și/sau răniri grave.

Păstrați toate avertismentele și instrucțiunile pentru consultare ulterioară.

Termenul „unealtă electrică” din avertismente se referă la unealta electrică (cu fir) alimentată de la rețea sau la unealta electrică cu acumulator (fără fir).

1) Siguranța zonei de lucru

- Păstrați zona de lucru curată și bine iluminată.** Zonele dezordonate sau întunecate pot duce la producerea de accidente.
- Nu operați sculele electrice în atmosfere explozive, cum ar fi în prezența lichidelor, gazelor sau pulberilor explozive.** Sculele electrice generează scântei care pot declanșa explozii sau incendii.
- Țineți la distanță copiii și persoanele din jur în timp ce operați o sculă electrică.** Distragerea atenției poate cauza pierderea controlului.

2) Siguranța electrică

- Ștecherile sculelor electrice trebuie să se potrivească cu priza. Nu modificați niciodată în nici un fel mufele. Nu folosiți adaptoare de priză cu scule electrice legate de pământ (împământate).** Mufele nemodificate și prizele adecvate reduc riscul de electrocutare.
- Evitați contactul corpului cu suprafețele împământate precum țevi, radiatoare, cuptoare și frigider.** Există un risc mai mare de electrocutare dacă vă este corpul împământat.
- Nu expuneți sculele electrice la ploaie sau condiții de umezeală.** Apa care pătrunde într-o sculă electrică va spori riscul de electrocutare.
- Nu manipulați necorespunzător cablul. Nu folosiți niciodată cablul pentru a purta, a trage sau a deconecta scula electrică. Feriți cablul de căldură, ulei, margini ascuțite sau piese mobile.** Cablurile distruse sau încurcate cresc riscul de electrocutare.
- Atunci când operați o sculă de lucru în aer liber, utilizați un prelungitor pentru exterior.** Folosirea unui cablu adecvat pentru uzul în aer liber scade riscul de electrocutare.
- În cazul în care operarea unei scule electrice într-un spațiu cu umiditate nu poate fi evitată, utilizați o alimentare cu protecție pentru dispozitivele de curent rezidual (RCD).** Utilizarea unui RCD reduce riscul de electrocutare.

3) Siguranța personală

- a) **Fiți precauți, fiți atenți la ceea ce faceți și respectați regulile de bun simț atunci când operați o sculă electrică. Nu folosiți scula electrică atunci când sunteți obosit sau sub influența drogurilor, alcoolului sau unui tratament medicamentos.** Un moment de neatenție în timpul operării sculelor electrice poate cauza vătămări corporale grave.
- b) **Utilizați echipamentul de protecție corporală. Purtați întotdeauna protecție pentru ochi.** Echipamentul de protecție precum masca de praf, pantofii de protecție antiderapați, casca de protecție sau protecția auzului, utilizate în condiții adecvate vor reduce pericolul de accidentare.
- c) **Preîntâmpinați pornirea accidentală. Asigurați-vă că întrerupătorul este în poziția-oprit, înainte de a vă conecta la sursa de alimentare și/sau acumulator, de a ridica sau transporta scula.** Transportul sculei electrice ținând degetul pe întrerupător sau alimentarea sculelor electrice care au comutatorul pornit poate duce la accidente.
- d) **Îndepărtați orice cheie sau clește de reglare înainte de a porni scula electrică.** Un clește sau o cheie lăsată atașată unei piese rotative a sculei electrice poate cauza vătămări corporale.
- e) **Nu vă întindeți pentru a utiliza scula de lucru. Mențineți-vă întotdeauna stabilitatea și echilibrul.** Acest lucru permite un control mai bun al sculei electrice în situații neașteptate.
- f) **Îmbrăcați-vă corespunzător. Nu purtați haine largi sau bijuterii. Țineți-vă părul, îmbrăcămintea și mănușile departe de componentele mobile.** Hainele largi, bijuteriile sau părul lung pot fi prinse în componentele mobile.
- g) **În cazul în care dispozitivele prezintă posibilitatea conectării de accesorii pentru aspirația și colectarea prafului, asigurați-vă că aceste accesorii sunt conectate și utilizate în mod corespunzător.** Utilizarea colectării prafului poate reduce pericolele legate de praf.
- h) **Nu lăsați ca obișnuința obținută prin utilizarea frecventă a sculelor să vă permită să deveniți impasibil și să ignorați principiile de siguranță în utilizarea sculelor.** O utilizare neglijentă poate provoca accidente grave într-o fracțiune de secundă.

4) Utilizarea și îngrijirea sculelor electrice

- a) **Nu forțați scula electrică. Utilizați scula electrică adecvată aplicației dvs.** Scula electrică corespunzătoare va face munca mai ușoară și mai sigură.
 - b) **Nu utilizați scula electrică în cazul în care întrerupătorul nu comută în poziția pornit și oprit.** Orice sculă electrică care nu poate fi controlată cu comutatorul este periculoasă și trebuie reparată.
 - c) **Deconectați ștecherul de la sursa de alimentare și/sau acumulatorul de la scula electrică înainte efectuării oricărui reglaje, modificării accesoriilor sau depozitării sculelor electrice.** Aceste măsuri preventive de precauție reduc riscul de pornire accidentală.
 - d) **Nu depozitați sculele electrice în stare inactivă la îndemâna copiilor și nu permiteți persoanelor nefamiliarizate cu scula de lucru sau cu aceste instrucțiuni să o utilizeze.** Sculele electrice sunt periculoase în mâinile utilizatorilor neinstruiți.
 - e) **Efectuați întreținerea sculelor electrice. Verificați alinierea sau configurarea greșită a pieselor mobile, ruperea pieselor și orice alte condiții care ar putea afecta funcționarea sculei electrice. În cazul deteriorării, reparați scula electrică înainte de utilizare.** Multe accidente sunt cauzate de sculele electrice deficitare întreținute.
 - f) **Păstrați sculele de tăiat ascuțite și curate.** Sculele așchietoare corect întreținute cu muchiile ascuțite au mai puține șanse să se înțepenească și sunt mai ușor de utilizat.
 - g) **Utilizați unealta electrică, accesoriile și biturile uneltei etc. conform acestor instrucțiuni, ținând cont de condițiile de lucru și de lucrarea ce trebuie să fie efectuată.** Folosirea sculei electrice pentru operații diferite decât acelea destinate pot cauza o situație periculoasă.
 - h) **Țineți mânerul și suprafețele de prindere uscate, curate și lipsite de ulei și unsoare.** Mânere și suprafețele de prindere alunecoase nu permit manipularea și controlul sculei în siguranță în situații neașteptate.
- ### 5) Service
- a) **Prevedeți repararea sculei electrice de către o persoană calificată, folosind exclusiv piese de schimb identice.** Acest lucru va garanta păstrarea în siguranță a sculei electrice.

INSTRUCȚIUNI SUPLIMENTARE DE SIGURANȚĂ PENTRU APARATUL DE TĂIERE A PLĂCILOR CERAMICE

- Verificați unealta electrică pentru eventuale deteriorări înainte de a începe lucrul, în special lama diamantată. Toate piesele trebuie să fie montate corect și să îndeplinească toate cerințele pentru a garanta buna funcționare a uneltei. Orice dispozitive de protecție sau orice piese ușor deteriorate trebuie verificate pentru a vedea dacă încă funcționează corect înainte de a continua utilizarea uneltei. Piesele mobile, în special apărătoarea discului diamantat, trebuie montate corect și nu trebuie să se blocheze. Nu folosiți unelte care nu pot fi pornite sau oprite cu comutatorul.
- Apărătoarea lamei diamantate nu trebuie blocată sau îndepărtată.
- O apărătoare care se blochează trebuie reparată imediat.
- Cuțitul de despicare nu trebuie îndepărtat.

Înainte să utilizați mașina:

- Verificați următoarele:
 - Tensiunea polizorului de masă corespunde sursei de alimentare?
 - Cablul de alimentare și ștecherul sunt în stare bună (solid, fără probleme de izolație sau deteriorare)?
- Purtați ochelari de protecție.
- Purtați o mască antipraf.

De fiecare dată când folosiți mașina

- Verificați dacă comutatorul NU este în poziția „PORNIT/1” înainte de a conecta mașina la rețeaua de alimentare.
- Păstrați întotdeauna cablul departe de părțile mobile ale aparatului.

Opriti mașina imediat dacă observați:

- Ștecherul sau cablul de alimentare sunt defecte sau deteriorate.
- Comutatorul este defect.
- Simțiți miros de fum sau de izolație care arde.

Instrucțiuni de siguranță privind alimentarea electrică

Atunci când folosiți aparate electrice, respectați întotdeauna reglementările de siguranță aplicabile în țara dumneavoastră, pentru a reduce riscul de incendii, electrocutare și rănire personală. Citiți următoarele instrucțiuni de siguranță.



Verificați întotdeauna ca tensiunea de la alimentarea cu energie să corespundă tensiunii de pe plăcuța de specificații.



Avertizare! Pentru operarea în siguranță a aparatului este necesară o priză cu împământare. Nu conectați aparatul la prize neîmpământate.

Utilizarea cablurilor prelungitoare

Utilizați doar un cablu prelungitor aprobat adecvat pentru puterea mașinii. Dimensiunea minimă a conductorului este 1,5 mm². Atunci când utilizați un tambur cu cablu desfășurați întotdeauna complet tamburul. Nu folosiți cabluri neîmpământate.

2. INFORMAȚII CU PRIVIRE LA MAȘINA

Domeniul de utilizare

Această unealtă este adecvată pentru tăierea de diferite plăci de gresie și faianță, cu o dimensiune maximă de 500x500x35 mm. Discul diamantat poate fi înlocuit de către utilizator. Nu este permisă utilizarea uneltei pentru alte materiale.

SPECIFICAȚII TEHNICE

Nr. model	TC502AC
Tensiune	230 V~ / 50 Hz
Putere nominală	300 W S1 / 600 W S6 15%
Turație la mers în gol disc de tăiat	2990 / min
Adâncime max. de tăiere la 90°	34 mm
Adâncime max. de tăiere la 45°	18 mm
Unghi de tăiere	0-45°
Diametrul discului de tăiere	Ø 180 mm x Ø 22,2 mm
Grosimea discului de tăiere	2,2 mm
Dimensiunile mesei	360 x 330mm
Clasificare IP	IP44
L _{PA} (Nivel presiune sonoră)	87 dB(A), K=3dB(A)
L _{WA} (Nivel putere sonoră)	100 dB(A), K=3dB(A)

DESCRIERE

Numerele din text se referă la diagramele de la paginile 2-6.

1. Masă de tăiere
2. Lamă
3. Ghidaj
4. Tavă de apă
5. Buton de reglare a înclinației
6. Comutator pornire/oprire
7. Buton ghidaj
8. Riglă de măsurat
9. Șuruburi cuțit de despicare
10. Cuțit de despicare
11. Apărătoarea de disc
12. Apărătoare inferioară lamă
13. Placă cuțit de despicare
14. Flanșă interioară a lamei
15. Flanșă exterioară a lamei
16. Piuliță de fixare a lamei
17. Osie motor
18. Mașina
19. Cheie mică
20. Cheie mare
21. Ghidaj pentru tăieri oblice
22. Șurub apărătoare inferioară
23. Găuri de montare

3. ASAMBLAREA

Montarea cuțitului de despicare și a apărătorii lamei (Fig. A, B)

- Deșurubați puțin cele două șuruburi (9).
- Poziționați piciorul cuțitului de despicare (10) sub șuruburi (și puțin sub masă).
- Strângeți șuruburile (9).

Montarea lamei de tăiere (Fig. A, C)

- Îndepărtați cele două șuruburi (22) de la apărătoarea inferioară a lamei (12). Asigurați-vă că îndepărtați șuruburile indicate în figura C1 și nu cele două șuruburi (mai mici) de la baza apărătorii inferioare a lamei.
- Îndepărtați apărătoarea inferioară a lamei (12).
- Îndepărtați piulița (16), rotind-o în sens antiorar și îndepărtați flanșa exterioară (15).
- Amplasați lama (2) pe flanșa interioară (14).
- Amplasați flanșa exterioară (15) pe lamă.
- Securizați lama ținând flanșa exterioară (15) cu cheia mare (20) și strângând piulița (16) în sens orar cu cheia mică (19).

Montarea ghidajului reglabil (Fig. A)

- Conectați butonul (7) cu ghidajul (3), folosind placa (1 orificiu cu filet). Încă nu strângeți butonul complet.
- Glisați ghidajul complet cu butoanele (nefixate strâns) pe masă; plăcile pe partea interioară a mesei.
- Poziționați ghidajul (3) la distanța dorită față de lamă (2).
- Strângeți butoanele (7) pentru a securiza ghidajul în poziție.

Montarea tăvii de apă (Fig. A, D)



Utilizați întotdeauna tava de apă (4) și asigurați-vă că nivelul apei se află între marcasele MIN și MAX indicate.

Este esențial să folosiți mașina cu tava de apă furnizată. Este esențial să folosiți mașina cu tava de apă furnizată (4). Apa răcește lama, mărind în mod semnificativ durata de viață a acesteia. În plus, apa reduce cantitatea de praf generată.

- Așezați mașina pe o suprafață și amplasați tava de apă (4) sub apărătoarea inferioară a lamei (12).
- Asigurați-vă că tava de apă este poziționată în mod corect: marginea tăvii de apă cea mai îndepărtată de dvs. trebuie să fie montată pe mașină, între apărătoarea inferioară a lamei (12) și suprafața metalică.

Montarea aparatului de tăiere a plăcilor ceramice (Fig. A, D)

- Aparatul de tăiere a plăcilor ceramice poate fi utilizat doar ca unealtă fixă și trebuie înșurubat pe o suprafață plană și orizontală. Vă rugăm să folosiți găurile de montare (23) din baza mașinii.
- Sursa de alimentare electrică trebuie conectată la o priză de perete împământată de 230 V. Tensiunea rețelei de alimentare trebuie să coincidă cu informațiile de pe plăcuța de fabricație și trebuie protejată prin intermediul unui disjuncteur.
- Nu trageți de cablul de alimentare pentru a scoate ștecherul din priză. Protejați cablul împotriva căldurii, uleiului și muchiiilor ascuțite.



Utilizați doar accesoriile și echipamentul auxiliar menționat în instrucțiunile de utilizare, recomandat sau menționat de

către producător. Folosirea altor accesorii sau echipamente auxiliare poate periclita siguranța dvs. și a altor persoane.

4. OPERAREA

Înainte de începerea lucrării de tăiere, asigurați-vă întotdeauna că există suficientă apă în tava de apă. Lama diamantată trebuie să treacă prin apă. În timpul lucrului, monitorizați nivelul de apă, astfel încât să nu scadă în mod neașteptat. Clătiți și înlocuiți apa după câteva tăieri, pentru a evita contaminarea excesivă.



Operarea (în mod accidental) a mașinii fără suficientă apă poate reduce durata de viață a mașinii, tocind rapid lama.



Tăierea cu o lamă tocită, fără suficientă apă sau cu apă foarte contaminată poate conduce la tăieturi neuniforme și/sau plăci ceramice fisurate/ciobite. Pentru cele mai bune rezultate: asigurați-vă întotdeauna că lama se află în stare bună și că există suficientă apă curată în tavă.

- Așteptați până când lama și-a atins viteza de rotație completă înainte să începeți tăierea.
- Lama diamantată NU trebuie expusă la presiune din lateral. Lama se poate sfărâma dacă este expusă la presiuni din lateral și piesele zburate pot deveni proiectile!
- Nu încercați să tăiați bucăți extrem de mici din plăci. Asigurați-vă întotdeauna că toată suprafața plăcii este pe masa de lucru. Ghidajul pentru tăiere în colț furnizat poate fi folosit pentru a împinge plăcile prin tăietor. În primele etape ale tăierii, în special, placa ceramică trebuie să rămână absolut dreaptă pentru a evita ca aceasta să se deplaseze în sus.
- Nu suprasolicitați unealta. Este mai bine și mai sigur să lucrați în intervalul de putere indicat. Nu tăiați alte materiale decât plăci ceramice.
- Întrețineți-vă uneltele cu grijă. Păstrați uneltele ascuțite și curate pentru a funcționa corect și în siguranță.
- Respectați instrucțiunile de întreținere și instrucțiunile de înlocuire a discului diamantat.
- Stați în picioare în siguranță și păstrați-vă echilibrul. Evitați orice unghiuri nefirești ale corpului. Rămâneți vigilenți și fiți atenți la munca dvs. Faceți uz de simțul realității. Nu

utilizați mașina când nu vă puteți concentra sau când sunteți obosit.

- Dacă este necesară înlocuirea cablului de alimentare, acest lucru poate fi efectuat de către producător sau de către reprezentatul său, pentru a preveni periclitatea siguranței.

Ghidaj reglabil pe întreaga lungime (Fig. A, E)

Ghidajul (3) vă permite să tăiați paralel cu lama de tăiere.

- Slăbiți butoanele ghidajului (7) și setați distanța necesară.
- Strângeți butoanele ghidajului de pe ambele părți ale mesei de tăiere (1).
- Indicatorii determină măsurătorile (8).

Ghidaj de tăiere oblică (Fig. A, F)

Urmați aceeași procedură pentru o tăiere dreaptă/ paralelă, dar folosiți ghidajul de tăiere oblică (21) pe ghidaj (3) pentru tăieri la 45 de grade ale plăcilor ceramice. Asigurați-vă că placa ceramică este bine prinsă în ghidaj înainte să efectuați tăierea.

Reglarea unghiului oblic (Fig. A, G)

Suprafața mesei are o setare variabilă pentru unghiuri oblice cuprinse între 0° și 45°.

- Slăbiți butoanele de reglare a înclinației (5) de pe partea frontală și posterioară a mesei (1)
- Setați unghiul oblic prin înclinarea mesei (1) până la atingerea înclinației necesare.
- Strângeți din nou butoanele (5) de pe ambele părți ale mesei.

Inspectarea și înlocuirea lamei diamantate (Fig. A, C)

- Lamele diamantate crăpate sau deformată trebuie înlocuite imediat.
- Tipul discului: o lamă diamantată de tăiere cu diametrul de 180 mm.
- Nu utilizați lame diamantate care nu îndeplinesc specificațiile din aceste instrucțiuni.
- Asigurați-vă că lama diamantată este fixată corect și se rotește în direcția corectă.

Înlocuirea lamei diamantate (Fig. C)



Înainte de înlocuirea lamei, deconectați mașina de la rețeaua electrică principală

- Îndepărtați tava de apă (4) de la mașină.

- Slăbiți șuruburile de fixare ale apărătorii lamei (22) și îndepărtați apărătoarea împotriva stropirii (12).
- Slăbiți piulița de fixare a lamei (16).
- Îndepărtați contraflanșa (15) și lama (2) și împingeți noua lamă pe flanșă (14). Țineți cont de direcția de rotație indicată pe lamă. Atașați contraflanșa (15).
- Strângeți piulița de fixare (16) și montați apărătoarea împotriva stropirii.

5. ÎNTREȚINERE



Înainte de curățare și întreținere, opriți alimentarea electrică a mașinii și deconectați cablul de alimentare.

Mașina a fost concepută pentru a opera o perioadă îndelungată de timp, cu un nivel minim de întreținere. Funcționarea satisfăcătoare continuă depinde de îngrijirea corespunzătoare a aparatului și de curățarea în mod regulat.

Curățarea

Păstrați curate fantele de ventilație ale dispozitivului pentru a preveni supra-încălzirea motorului. Curățați periodic carcasa mașinii cu o cârpă moale, de preferință după fiecare utilizare. Curățați fantele de aerisire de praf și murdărie. Dacă murdăria nu se desprinde, folosiți o cârpă moale, umezită cu apă cu săpun. Nu folosiți niciodată solvenți precum benzină, alcool, apă cu amoniac etc. Acești solvenți pot deteriora piesele din plastic.

Curățați întotdeauna unealta imediat după utilizare.

- Îndepărtați tava de apă din mașină și scurgeți apa murdară.
- Deșurubați apărătoarea împotriva stropirii și curățați-o.
- Slăbiți butonul în formă de stea, pliați masa și lustruiți întreaga mașină.

Întreținerea

Mașina îndeplinește toate reglementările de siguranță actuale. Reparațiile pot fi efectuate numai de către o companie aprobată, întrucât încercările de reparații efectuate de persoane necalificate pot cauza vătămarea personală a utilizatorului și a persoanelor din jur. Verificați în mod regulat cablul de alimentare și dispuneți

înlocuirea acestuia de către o companie autorizată, în cazul în care este deteriorat. De asemenea, verificați toate cablurile prelungitoare. Apărătorile de siguranță și comutatoarele deteriorate trebuie înlocuite înainte de reutilizarea mașinii.

MEDIU



Simbolul pubelei tăiate înseamnă că acest produs nu poate fi eliminat împreună cu gunoiul menajer obișnuit. Echipamentul electronic și electric care nu este inclus în procesul de sortare selectivă poate fi periculos pentru mediul înconjurător și sănătate din cauza substanțelor periculoase existente. Vă rugăm să efectuați eliminarea ca deșeu, în mod responsabil, la o facilitate aprobată de eliminare a deșeurilor sau de reciclare.

Numai pentru țările din CE

Nu aruncați echipamentele acționate electric împreună cu gunoiul menajer. Conform Indicației europene 2012/19/UE pentru echipamente electrice și electronice uzate și a implementării sale la nivel național, echipamentele acționate electric scoase din uz trebuie colectate separat și evacuate într-o manieră ecologică.

GARANȚIE

Produsele VONROC sunt realizate la cele mai înalte standarde de calitate și sunt garantate în privința materialelor și a manoperei pentru întreaga perioadă de utilizare în garanție, începând cu data achiziției. În cazul în care produsul prezintă defecțiuni în perioada de garanție din cauza materialului defect și/sau a manoperei, contactați direct VONROC.

Următoarele circumstanțe sunt excluse de la această garanție:

- Reparațiile sau modificările efectuate sau care s-au încercat a fi efectuate de centre de service neautorizate;
- Uzura în condiții normale de utilizare;
- Scula care a fost abuzată, utilizată într-un mod neglijent sau întreținută în mod inadecvat;
- Folosirea unor piese de schimb neoriginale.

Aceasta acoperă garanția companiei, explicită sau implicită. Nu există alte garanții explicite sau implicite care să se extindă dincolo de cele indicate aici, incluzând garanțiile, vandabilitatea sau adecvarea pentru un anumit scop. În nicio situație, VONROC nu este responsabil pentru daunele accidentale sau subsecvente. Reparațiile efectuate de reprezentant trebuie să fie limitate la reparațiile sau la înlocuirea unităților sau a pieselor neconforme.

Produsul și manualul de utilizare pot suferi modificări. Specificațiile se pot modifica fără notificare prealabilă.

1. GÜVENLİK TALİMATLARI

Ekteki güvenlik uyarılarını, ilave güvenlik uyarılarını ve talimatları okuyun. Güvenlik uyarılarını ve talimatları izlememek elektrik çarpması, yangın ve/veya ciddi yaralanma ile sonuçlanabilir. Güvenlik uyarılarını ve talimatları gelecekte referans olması için saklayın.

Aşağıdaki semboller kullanıcı kılavuzunda veya ürün üzerinde kullanılmaktadır:



Kullanım kılavuzunu okuyun.



Bu kılavuzdaki talimatlara uymama durumunda bedensel yaralanma, can kaybı veya alete hasar riskini belirtir.



Elektrik çarpması riski.



Kablunun zarar görmesi durumunda ve bakım sırasında derhal fişi prizden çekin.



Duyma koruması takın.



Göz koruyucu takın.



Topraklama simgesi. Bu cihaz, koruma sınıfı I olarak sınıflandırılır ve topraklı bir elektrik prizine bağlanmalıdır.



Ürünü, uygun olmayan konteynerlere atmayın.



Ürün, Avrupa yönergelerinde belirtilen, yürürlükteki güvenlik standartlarına uygundur.

GENEL ELEKTRİKLİ ALET GÜVENLİK UYARILARI



UYARI! Tüm güvenlik uyarılarını ve tüm talimatları okuyun. Bu uyarıları ve talimatlara uyulmaması elektrik çarpması, yangın ve/veya ciddi yaralanma ile sonuçlanabilir.

Tüm uyarıları ve talimatları gelecekte başvurmak üzere saklayın.

Uyarılardaki "elektrikli alet" terimi, şebeke elektriği ile çalışan (kablolu) elektrikli alet veya batarya ile çalışan (kablesiz) elektrikli alet anlamına gelir.

1) Çalışma alanının güvenliği

- Çalışma alanının temiz ve aydınlık olmasını sağlayın.** Dağınık veya karanlık bölgeler, kazalara davetiye çıkarır.
- Elektrikli aletleri, yanıcı sıvılar, gazlar ve tozların bulunduğu yerler gibi tehlikeli ortamlarda çalıştırmayın.** Elektrikli aletler toz veya dumanları ateşleyebilecek kıvılcımlar üretir.
- Bir elektrikli aleti çalıştırırken çocuklardan ve etraftaki kişilerden uzak tutun.** Dikkatiniz dağılırsa kontrolü kaybedebilirsiniz.

2) Elektrik güvenliği

- Elektrikli alet fişleri, prize uygun olmalıdır. Fişi, hiçbir şekilde modifiye etmeyin. Topraklı elektrikli aletlerle, herhangi bir fiş adaptörü kullanmayın.** Modifiye edilmemiş fişler ve buna uygun prizler, elektrik çarpması riskini azaltır.
- Borular, radyatörler, ocaklar ve buzdolapları gibi topraklanmış yüzeylerle temastan kaçının.** Eğer vücudunuz topraklanmışsa, elektrik çarpması riski daha fazla olur.
- Elektrikli aletleri yağmura maruz bırakmayın veya ıslatmayın.** Bir elektrikli alete su girmesi durumunda, elektrik çarpması riski artacaktır.
- Kabloya kötü davranmayın. Kabloyu taşıma amacıyla, elektrikli aleti ya da elektrikli aletin fişini çekmek için kullanmayın. Kabloyu ısıdan, yağdan, keskin kenarlardan ya da hareketli parçalardan uzak tutun.** Hasar görmüş ya da dolaşmış kablolar, elektrik çarpması riskini artırır.
- Bir elektrikli aleti açık havada çalıştırırken, açık havada kullanıma uygun bir uzatma kablosu kullanın.** Açık havada kullanıma uygun bir kablo kullanıldığında, elektrik çarpması riski azalır.
- Elektrikli aleti nemli bir konumda çalıştırmak kaçınılmazsa, kaçak akım cihazı (RCD) korumalı bir kaynak kullanın.** RCD kullanımı elektrik çarpması riskini azaltır.

3) Kişisel güvenlik

- Elektrikli bir aleti kullanırken her zaman dikkatli olun, yaptığımız işe yoğunlaşın ve sağduyulu davranın.** Bir elektrikli aleti yorgun olduğunuzda ya da uyuşturucu, alkol veya ilaç etkisindeyken kullanmayın. Elektrikli aleti kullanırken bir anlık dikkatsizlik ciddi kişisel yaralanmalara neden olabilir.

- Koruyucu ekipman kullanın. Her zaman göz koruması takın.** Uygun durumlar için kullanılan toz maskesi, kaymaz güvenlik ayakkabıları, baret veya kulak tıkaçı gibi koruyucu donanımlar, kişisel yaralanma riskini azaltacaktır.
 - İstem dışı çalıştırılmasını önleyin. Bir elektrik kaynağını ve/veya bataryayı bağlamadan, aleti kaldırmadan ya da taşımadan önce elektrikli aletin anahtarının kapalı durumda olduğundan emin olun.** Elektrikli aletleri parmağınız anahtar üzerindeyken taşımak veya anahtarı açık elektrikli aletleri harekete geçirmek kazalara davetiye çıkarır.
 - Elektrikli aleti çalıştırmadan önce her türlü ayar anahtarını çıkartın.** Elektrikli aletin dönen bir parçasında kalan bir anahtar, fiziksel yaralanmalara neden olabilir.
 - Ulaşmakta zorlandığınız yerlerde kullanmayın. Ayaklarınızı sağlam basın ve her zaman dengeli olun.** Böylece beklenmeyen durumlarda elektrikli aleti daha iyi kontrol edebilirsiniz.
 - Uygun şekilde giyinin. Bol kıyafetler giymeyin, takılar takmayın. Saçınızı, kıyafetlerinizi ve eldivenlerinizi, hareketli parçalardan uzak tutun.** Bol kıyafetler, takılar veya uzun saç, hareketli parçalara takılabilir.
 - Eğer kullandığınız üründe toz emme ve toplama özellikleri olan ataşmanlar varsa bunların bağlı olduğundan ve doğru şekilde kullanıldığını emin olun.** Bu ataşmanların kullanılması tozla ilgili tehlikeleri azaltabilir.
 - Aletlerin sık kullanılmasından edindiğiniz bilgi birikiminin sizi aşırı rehavete sürüklemesine izin vermeyin ve alet güvenliğiyle ilgili ilkeleri göz ardı etmeyin.** Dikkatsiz bir hareket, bir saniyeden bile kısa sürede ciddi yaralanmalara neden olabilir.
- ### 4) Elektrikli alet kullanımı ve bakımı
- Elektrikli aleti zorlamayın. Uygulamanız için doğru elektrikli aleti kullanın.** Doğru elektrikli alet, tasarımı amacına uygun olarak işi daha iyi yapacaktır.
 - Çalıştırma düğmesi elektrikli aleti açık kapatmıyorsa o elektrikli aleti kullanmayın.** Anahtarla kumanda edilemeyen elektrikli aletler tehlikelidir ve tamir edilmelidir.
 - Herhangi bir ayar, aksesuar değişimi ya da depolama işleminden önce elektrikli aletin fişini elektrik kaynağından çıkarın ve/veya bataryayı**

- elektrikli aletten çıkarın.** Bu tür önleyici güvenlik önlemleri, elektrikli aletin kazara çalışma riskini azaltır.
- d) **Elektrikli aletleri çocukların erişemeyeceği bir yerde muhafaza edin ve elektrikli aletin nasıl çalıştığını ya da bu talimatları bilmeyen kişilerin elektrikli aleti kullanmasına izin vermeyin.** Elektrikli aletler, eğitimsiz kullanıcıların elinde tehlikeli olur.
- e) **Elektrikli aletlerin bakımını yapın. Hatalı ayarlar veya hareketli parçaların bağlanması, parça kırılmaları ve elektrikli aletin çalışmasını etkileyebilecek diğer durumlar için kontrol gerçekleştirin. Eğer herhangi bir hasar varsa, elektrikli alet kullanılmadan önce tamir edilmelidir.** Çoğu kazaya bakımı iyi yapılmayan elektrikli aletler neden olur.
- f) **Kesme aletlerini keskin ve temiz tutun.** Bakımı iyi yapılan ve keskin kenarlara sahip kesme aletlerinde donmalar daha az yaşanır ve kontrol edilmeleri daha kolay olur.
- g) **Elektrikli aleti, aksesuarlarını ve aletin diğer parçalarını kullanırken bu talimatlara mutlaka uyun ve çalışma ortamının koşullarını ve yapılacak işin ne olduğunu göz önünde bulundurun.** Elektrikli aletin kullanım amacı dışında kullanılması, tehlikeli durumlara sonuçlanabilir.
- h) **Tutamakları ve tutma yerlerini kuru, temiz ve yağdan arındırılmış şekilde muhafaza edin.** Kaygan tutamaklar ve tutma yerleri, beklenmedik durumlarda aletin güvenli şekilde taşınmasına ve kontrol edilmesine izin vermez.
- 5) **Servis**
- a) **Elektrikli aletinizi, sadece orijinal yedek parçaları kullanan bir yetkili servise tamir ettirin.** Bu, elektrikli aletin güvenliğinin korunmasını sağlayacaktır.

FAYANS KESME MAKİNESİ İÇİN EK GÜVENLİK TALİMATLARI

- Çalışmaya başlamadan önce elektrikli aletinizde ve özellikle de elmas bıçağında hasar olup olmadığını kontrol edin. Aletin sorunsuz çalışmasını garanti etmek için tüm parçalar düzgün şekilde takılmalı ve tüm gereklilikler karşılanmalıdır. Aletin kullanımına devam etmeden önce herhangi bir güvenlik siperi veya hafif hasarlı parçanın halen düzgün çalışıp çalışmadığı kontrol edilmelidir. Hareketli

- parçalar ve özellikle elmas bıçak siperi düzgün şekilde takılmalı ve sıkışmamalıdır. Çalıştırma düğmesiyle açılıp kapatılmayan aletleri kullanmayın.
- Elmas bıçak siperi sıkışmamalı veya çıkarılmamalıdır.
 - Sıkışma siperinin derhal onarılması gerekir.
 - Yarma açma bıçağı çıkarılmamalıdır.

Makineyi çalıştırmadan önce:

- Aşağıdakileri kontrol edin:
 - *Tezgah tipi taşlama makinesinin voltaj değeri güç kaynağına uygun mu?*
 - *Elektrik kablosu ve fiş iyi durumda mı (sağlam, yıpranmamış veya başka bir hasar yok)?*
- Güvenlik gözlüğü kullanın.
- Bir toz maskesi kullanın.

Makineyi her kullandığınızda

- Makineyi bir güç kaynağına bağlamadan önce düğmenin 'ON/1' konumunda OLMADIĞINI kontrol edin.
- Elektrik kablosunu makinenin hareketli parçalarından daima uzak tutun.

Şu durumlarda makineyi derhal kapatın:

- Fiş veya elektrik kablosu arızalı veya hasarlı.
- Düğme arızalı.
- Yalıtım malzemelerinden duman veya yanık kokusu geliyor.

Elektrik güvenliği

Elektrikli makineleri kullanırken yangın, elektrik çarpması ve bedensel yaralanma riskini azaltmak için ülkenizde geçerli güvenlik düzenlemelerine her zaman uyun. Aşağıdaki güvenlik talimatlarını okuyun.



Daima güç kaynağı geriliminin anma değerleri plakasında belirtilen gerilime karşılık gelip gelmediğini kontrol edin.



Uyarı! *Bu makineyi güvenli bir şekilde çalıştırmak için topraklanmış bir elektrik prizi gerekir. Makineyi topraklanmamış elektrik prizlerine bağlamayın.*

Uzatma kablolarının kullanımı

Yalnızca makinenin güç giriş değeri için uygun, onaylanmış bir uzatma kablosu kullanın. Minimum

iletken ebadı 1,5 mm²'dir. Bir kablo makarası kullanırken, her zaman makaranın sargısını tamamen açın. Topraklanmamış uzatma kablolarını kullanmayın.

2. MAKİNE BİLGİSİ

Kullanım amacı

Bu alet, maksimum 500x500x35 mm fayans boyutuna sahip çeşitli duvar ve yer fayanslarını kesmek için uygundur. Elmas disk kullanıcı tarafından değiştirilebilir. Aletin başka malzemeler için kullanılmasına izin verilmez.

TEKNİK ÖZELLİKLER

Model no.	TC502AC
Voltaaj	230V~ / 50Hz
Güç değeri	300W S1 / 600W S6 %15
Kesme diski yüksüz hız	2990/dak
90°'de maksimum kesme derinliği	34 mm
45°'de maksimum kesme derinliği	18 mm
Kesme açısı	0-45°
Kesme diski çapı	Ø180mm x Ø22,2mm
Kesme diski kalınlığı	2,2 mm
Tezgah ebatları	360 x 330 mm
IP derecesi	IP44
L _{PA} (Ses basıncı seviyesi)	87 dB(A) K= 3 dB(A)
L _{WA} (Ses güç seviyesi)	100 dB(A) K= 3 dB(A)

AÇIKLAMA

Metindeki numaralar sayfa 2-6'teki şemaları işaret etmektedir.

1. Kesme tezgahı
2. Kesme bıçağı
3. Çit
4. Su tepsisi
5. Eğim ayarlama düğmesi
6. Açma/kapama düğmesi
7. Çit düğmesi
8. Ölçüm cetveli
9. Yarma bıçağı vidaları

10. Yarma bıçağı
11. Bıçak siperi
12. Alt bıçak siperi
13. Yarma bıçağı plakası
14. İç bıçak flanşı
15. Dış bıçak flanşı
16. Bıçak sabitleme somunu
17. Motor aksı
18. Makine
19. Küçük anahtar
20. Büyük anahtar
21. Gönye kılavuzu
22. Alt kılavuz vidaları
23. Montaj delikleri

3. MONTAJ

Yarma bıçağının ve bıçak siperinin monte edilmesi (Şekil A, B)

- İki vidayı (9) hafifçe sökün.
- Yarma bıçağının (10) ayağını vidaların altına (ve tezgahın biraz altına) yerleştirin.
- Vidaları (9) sıkın.

Kesme bıçağının monte edilmesi (Şekil A, C)

- İki vidayı (22) alt bıçak siperinden (12) çıkarın. Şekil C1'de gösterildiği gibi, iki (daha küçük) vidayı değil, alt bıçak siperinin altındaki vidaları çıkardığınızdan emin olun.
- Alt bıçak siperini (12) çıkarın.
- Somunu (16) saat yönünün tersine çevirerek sökün ve dış flanşı (15) çıkarın.
- Bıçağı (2) iç flanşın (14) üzerine yerleştirin.
- Dış flanşı (15) bıçağın üzerine yerleştirin.
- Büyük anahtarla (20) dış flanşı (15) tutmak ve küçük anahtarla (19) da somunu (16) saat yönünde sıkmak suretiyle bıçağı sabitleyin.

Ayarlanabilir çitin monte edilmesi (Şekil A)

- Plakayı (dişli 1 delik) kullanarak düğmeyi (7) çite (3) bağlayın. Düğmeyi henüz tam olarak sıkmayın.
- Tüm çiti (gevşek bir şekilde sabitlenmiş) düğmelerle birlikte, plakalar tezgahın iç kenarında olacak şekilde tezgahın üzerine kaydırın.
- Çiti (3) bıçaktan (2) istenen mesafeye konumlandırın.
- Çiti yerine sabitlemek için düğmeleri (7) sıkın.

Su tepsisinin monte edilmesi (Şekil A, D)

Her zaman su tepsisini (4) kullanın ve su seviyesinin belirtilen MIN ve MAX işaretleri arasında olduğundan emin olun.

Makinenin, ürünle birlikte verilen su tepsisiyle kullanılması gerekir. Makinenin, ürünle birlikte verilen su tepsisiyle (4) kullanılması gerekir. Su, bıçağı soğutarak ömrünü önemli ölçüde uzatır. Ayrıca su, toz oluşumunu da azaltır.

- Makineyi bir yüzeye koyun ve su tepsisini (4) alt bıçak siperinin (12) altına yerleştirin.
- Su tepsisinin düzgün yerleştirildiğinden emin olun: su tepsisinin sizden en uzaktaki kenarı, alt bıçak siperi (12) ile makinenin metal yüzeyi arasına sığmalıdır.

Fayans kesme makinesinin kurulumu (Şekil A, D)

- Fayans kesme makinesi yalnızca sabit bir alet olarak kullanılmalı, düz ve yatay bir yüzeye vidalanmalıdır. Lütfen makinenin tabanındaki montaj deliklerini (23) kullanın.
- Elektrik kaynağı 230V~ topraklı bir duvar prizine bağlanmalıdır. Şebeke voltajı, ürün plakasındaki bilgilere uygun olmalı ve bir devre kesici ile korunmalıdır.
- Fişi prizden çekmek için elektrik kablosunu kullanmayın. Kabloyu sıcaktan, yağdan ve keskin nesnelere koruyun.



Yalnızca kullanım kılavuzunda belirtilen veya üretici tarafından tavsiye edilen ya da belirtilen aksesuarları ve yardımcı ekipmanları kullanın. Başka aksesuarların veya yardımcı ekipmanların kullanılması sizin ve başkalarının yaralanmasına neden olabilir.

4. ÇALIŞTIRMA

Kesme işine başlamadan önce su tepsisinde daima yeterli su olduğundan emin olun. Elmas bıçağın suyun içinden geçmesi gerekir. Çalışırken suyun beklenmedik bir şekilde bitmesini önlemek için su seviyesini yakından takip edin. Birkaç kesme işlemi sonrasında suyu boşaltın ve değiştirin, böylece fazla kirlenmez.



(Kazara) makinenin yeterli su olmadan çalıştırılması, makinenin ömrünü kısaltabilir ve bıçağın hızla körelmesine neden olabilir.



Kör bir bıçakla, yeterli su olmadan veya çok kirlı suyla kesme pürüzlü kesimlere ve/veya fayansların çatlamasına/parçalanmasına neden olabilir. En iyi sonuçlar için: her zaman bıçağın iyi durumda olduğundan ve tepside yeterli miktarda temiz su bulunduğundan emin olun.

- Kesime başlamadan önce bıçağın tam dönüş hızına ulaşmasını bekleyin.
- Elmas bıçak ASLA yandan baskıya maruz bırakılmamalıdır. Bıçak, yandan gelen basınç altında parçalanabilir ve uçan parçalar fırlatabilir!
- Fayanslardan çok küçük parçalar kesmeye çalışmayın. Her zaman fayansın tüm yüzeyinin çalışma tezgahı üzerinde olduğundan emin olun. Ürünle birlikte verilen gönye kılavuzu, fayansları kesme makinesinin içinden itmek için kullanılabilir. Özellikle kesmenin ilk aşamalarında, fayansın yukarı hareket etmesini önlemek için fayansın kesinlikle düz kalması gerekir.
- Aletinize aşırı yüklenmeyin. Belirtilen güç aralığında çalışmak daha iyi ve daha güvenlidir. Fayans dışındaki malzemeleri kesmeyin.
- Aletlerinizi dikkatli muhafaza edin. Düzgün ve güvenli bir şekilde çalışmak için aletleri keskin ve temiz tutun.
- Bakım talimatlarına ve elmas bıçağı değiştirme talimatlarına uyun.
- Güvenli bir şekilde durun ve dengenizi koruyun. Doğal olmayan vücut açılarından kaçının. Daima tetikte olun ve işinize dikkat edin. Her zaman sağduyulu olun. Dikkatiniz dağınık veya yorgun olduğunuzda makineyi kullanmayın.
- Besleme kablosunun değiştirilmesi gerekiyorsa, güvenlik tehlikelerini önlemek için bu işlem üretici veya üreticinin yetkili servisi tarafından yapılmalıdır.

Tam boy ayarlanabilir çit Şekil A, E)

Çit (3), kesici bıçağına paralel kesim yapmanızı sağlar.

- Çit düğmelerini (7) gevşetin ve gereken mesafeyi ayarlayın.

- Kesim tezgahının (1) her iki tarafındaki çit düğmelerini sıkın.
- İşaretleyiciler ölçümleri (8) belirler.

Gönye kılavuzu (Şekil A, F)

Düz/paralel kesim için aynı prosedürü izleyin ancak fayansların 45 derecelik serbest kesimi için çite (3) karşı gönye kılavuzunu (21) kullanın. Kesimi yapmadan önce fayansın kılavuzla sıkıca tutulduğundan emin olun.

Eğim açısının ayarı (Şekil A, G)

Tezgah yüzeyi 0° ile 45° arasında değişen bir eğim açısı ayarına sahiptir.

- Tezgahın (1) ön ve arka tarafındaki eğim ayarlama düğmelerini (5) gevşetin
- Gerekli eğime ulaşana kadar tezgahı (1) yukarı doğru eğerek eğim açısını ayarlayın.
- Tezgahın her iki tarafındaki düğmeleri (5) tekrar sıkın.

Elmas bıçağın kontrol edilmesi ve değiştirilmesi (Şekil A, C)

- Çatlamış veya deforme olmuş elmas bıçaklar derhal değiştirilmelidir.
- Disk tipi: 180 mm çapında elmas kesme bıçağı.
- Bu kılavuzdaki teknik özelliklere uymayan bıçakları kullanmayın.
- Elmas bıçağın düzgün şekilde sabitlendiğinden ve doğru yönde döndüğünden emin olun.

Elmas bıçağın değiştirilmesi (Şekil C)



Bıçağı değiştirmeden önce makinenin elektrik bağlantısını kesin

- Su tepsisini (4) makineden çıkartın.
- Bıçak siperinin sabitleme civatalarını (22) gevşetin ve sıçrama siperini (12) çıkarın.
- Bıçak sabitleme somununu (16) gevşetin.
- Karşı flanşı (15) ve bıçağı (2) çıkarın ve yeni bıçağı flanşın (14) üzerine itin. Bıçağın üzerinde belirtilen dönüş yönünü dikkate alın. Karşı flanşı (15) takın.
- Sabitleme somununu (16) sıkın ve sıçrama siperini monte edin.

5. BAKIM



Temizlik ve bakımdan önce daima makineyi kapatın ve elektrik fişini prizden çekin.

Bu makineler uzun süre, minimum bakımla çalışacak şekilde tasarlanmıştır. Makinenin sürekli ve tatmin edici şekilde çalışması, makineye uygun şekilde bakım uygulanmasına ve makinenin düzenli temizlenmesine bağlıdır.

Temizlenmesi

Motorun aşırı ısınmasını önlemek için makinenin havalandırma deliklerini temiz tutun. Makine muhafazasını düzenli olarak (tercihen her kullanımdan sonra) yumuşak bir bez ile temizleyin. Havalandırma deliklerinde toz ve kir olmamasına dikkat edin. Kir çıkmazsa, sabunlu suyla nemlendirilmiş yumuşak bir bez kullanın. Asla petrol, alkol, amonyaklı su vs. kullanmayın. Bu çözücüler plastik parçalara zarar verebilir.

Aleti kullanımdan hemen sonra daima temizleyin.

- Su tepsisini makineden çıkarın ve kirli suyu boşaltın.
- Sıçrama siperini sökün ve temizleyin.
- Yıldız şeklindeki düğmeyi gevşetin, tezgahı katlayın ve makinenin tamamını cilalayın.

Bakım

Makine mevcut tüm güvenlik düzenlemelerine uygundur. Onarımlar yalnızca onaylı bir şirket tarafından yapılabilir, çünkü yetkili olmayan kişiler tarafından yapılan onarım girişimleri kullanıcının ve çevredekilerin yaralanmasına neden olabilir. Elektrik kablolarını ve fişini düzenli olarak kontrol edin, hasarlıysa onaylı bir firma tarafından değiştirilmesini sağlayın. Ayrıca uzatma kablolarını da kontrol edin. Hasarlı güvenlik siperleri ve anahtarları, makine tekrar kullanılmadan önce değiştirilmelidir.

ÇEVRE



Üzerinde çarpı işareti bulunan çöp kutusu sembolü, bu ürünün normal evsel atıklarla birlikte atılmaması gerektiği anlamına gelir. Seçerek ayıklama işlemine dahil edilmeyen Elektrik ve Elektronik Ekipmanlar, içerdikleri tehlikeli maddeler nedeniyle çevre ve insan sağlığı açısından potansiyel tehlike arz etmektedir. Lütfen onaylı bir atık veya geri dönüşüm tesisinde sorumlu bir şekilde imha edin.

Yalnızca AT ülkeleri için

Elektrikli aletleri evsel atık olarak atmayın. Atık Elektrikli ve Elektronik Donanım için Avrupa İlkeleri 2012/19/EU'ya ve bunun yerel hukuk çerçevesinde uygulamasına göre, artık kullanılamaz olan elektrikli aletler ayrı olarak toplanmalı ve çevre dostu bir yolla imha edilmelidir.

GARANTİ

VONROC ürünleri en yüksek kalite standartlarına göre geliştirilir ve orijinal satın alma tarihinden itibaren yasal olarak öngörülen süre boyunca hem malzeme hem de işçilik açısından kusursuzluk garantisi verilir. Bu süre içinde üründe kusurlu malzeme ve/veya işçilik nedeniyle herhangi bir arıza meydana gelirse, doğrudan VONROC ile iletişime geçin.

Aşağıdaki durumlar bu garantinin dışındadır:

- Makinede, yetkili olmayan servis merkezleri tarafından onarım ve/veya değişiklikler yapılmış veya denenmişse;
- Normal aşınma ve yıpranma;
- Alet kötü amaçlı veya yanlış kullanılmışsa veya uygunsuz şekilde bakımı yapılmışsa;
- Orijinal olmayan yedek parçalar kullanılmışsa.

Bu, şirket tarafından açık veya zımni olarak verilen yegane garantiyi teşkil eder. İşbu kapsamda, satılabilirlik ve belirli bir amaca uygunluk zımni garantileri de dahil olmak üzere, burada görünenin ötesine geçen açık veya zımni herhangi bir başka garanti mevcut değildir. VONROC hiçbir durumda arızı veya dolaylı zararlardan sorumlu tutulamaz. Bayi tarafından sunulan çözümler; uygun olmayan birimlerin veya parçaların onarımı veya değiştirilmesi ile sınırlıdır.

Ürün ve kullanım kılavuzunda değişiklik yapılabilir.

Teknik özellikler, önceden bildirilmeksizin değiştirilebilir.



DECLARATION OF CONFORMITY TC502AC - TILE CUTTER

- (EN) We declare under our sole responsibility that this product is in conformity with directive 2011/65/EU of the European parliament and of the council of 9 June on the restriction of the use of certain hazardous substances in electrical and electronic equipment is in conformity and accordance with the following standards and regulations:
- (DE) Der Hersteller erklärt eigenverantwortlich, dass dieses Produkt der Direktive 2011/65/EU des Europäischen Parlaments und des Rats vom 9. Juni über die Einschränkung der Anwendung von bestimmten gefährlichen Stoffen in elektrischen und elektronischen Geräten entspricht und den folgenden Standards und Vorschriften entspricht:
- (NL) Wij verklaren onder onze exclusieve verantwoordelijkheid dat dit product conform Richtlijn 2011/65/EU van het Europees parlement en de Raad van 9 juni is betreffende de beperking van het gebruik van bepaalde gevaarlijke stoffen in elektrische en elektronische apparatuur en in overeenstemming is met de volgende standaarden en regelgeving:
- (FR) Nous déclarons, sous notre propre responsabilité, que ce produit est conforme à la Directive 2011/65/UE du Parlement et du Conseil Européens du 9 Juin relative à la limitation de l'utilisation de certaines substances dangereuses dans les équipements électriques et électroniques et qu'il est conforme aux normes et règlements suivants :
- (ES) Declaramos bajo nuestra exclusiva responsabilidad que este producto es conforme a la Directiva 2011/65/UE del Parlamento Europeo y del Consejo, de 9 de junio, sobre restricciones a la utilización de determinadas sustancias peligrosas en aparatos eléctricos y electrónicos, y que es conforme y se ajusta a las siguientes normas y directivas:
- (PT) Declaramos, sob nossa exclusiva responsabilidade, que este produto está em conformidade com a directiva 2011/65/UE do Parlamento Europeu e com a directiva do conselho de 9 de Junho sobre a restrição da utilização de determinadas substâncias perigosas em equipamento eléctrico e electrónico está em conformidade e de acordo com as seguintes normas e regulamentações:
- (IT) VONROC dichiara, sotto la sua sola responsabilità, che questo prodotto è conforme alla Direttiva 2011/65/UE del Parlamento europeo e del Consiglio dell'9 giugno, relativa alla limitazione d'uso di determinate sostanze pericolose e apparecchiature elettriche ed elettroniche, ed è conforme alle norme e ai regolamenti seguenti:
- (SV) Vi försäkrar under vårt eget ansvar att denna produkt överensstämmer med Europaparlamentets och rådets direktiv 2011/65/EU från den 9 juni om begränsning av användningen av vissa farliga ämnen i elektrisk och elektronisk utrustning och är i överensstämmelse och enlighet med följande standarder och föreskrifter:
- (DA) Vi erklærer under eget ansvar, at dette produkt er i overensstemmelse med Europa-Parlamentets og Rådets direktiv 2011/65/EU af 9. juni om begrænsning af brugen af visse farlige stoffer i elektrisk og elektronisk udstyr, og at det er i overensstemmelse med følgende standarder og regler:
- (HU) Kizárólagos felelősségünk tudatában kijelentjük, hogy a termék megfelel az Európai Parlamentnek és a Tanácsnak az egyes veszélyes anyagok elektromos és elektronikus berendezésekből való alkalmazásának korlátozásáról szóló 2011/65/EU irányelvének (VI.9.), valamint a következő szabványoknak és jogszabályoknak:
- (CS) Prohlašujeme na svou výhradní odpovědnost, že tento výrobek splňuje požadavky směrnice 2011/65/EU Evropské rady a parlamentu ze dne 9. června, která se týká omezení používání určitých nebezpečných látek v elektrických a elektronických zařízeních, a splňuje také všechny požadavky následujících norem a předpisů:
- (PL) Oświadczamy na własną i wyłączną odpowiedzialność, że ten produkt jest zgodny z dyrektywą 2011/65/UE Parlamentu Europejskiego i Rady z dnia 9 czerwca w sprawie ograniczenia stosowania niektórych niebezpiecznych substancji w sprzęcie elektrycznym i elektronicznym oraz następującymi normami i przepisami:
- (RO) Declaram sub responsabilitatea exclusivă că acest produs este în conformitate cu Directiva 2011/65/UE a Parlamentului și a Consiliului European din 9 iunie privind restricționarea utilizării anumitor substanțe periculoase în echipamentele electrice și electronice și în conformitate cu următoarele standarde și reglementări:
- (TR) Bu ürünün, Avrupa Parlamentosunun 2011/65/EU ve 9 Haziran tarihli elektrikli ve elektronik eşyalarda bazı zararlı maddelerin sınırlandırılmasına ilişkin direktifine uygun olduğunu ve aşağıdaki standart ve düzenlemelerin hükümlerini karşıladığını beyan eder bu konudaki tüm sorumluluğun tamamen bize ait olduğunu bildiririz:

**EN55014-1, EN55014-2, EN61000-3-2, EN61000-3-3, EN62841-1, EN12418
2006/42/EC, 2014/30/EU, 2011/65/EU, 2012/19/EU**

Zwolle, 01-12-2023

H.G.F Rosberg
CEO



VONROC®
BUILD YOUR FUTURE

©2023 VONROC
WWW.VONROC.COM

2312-08