
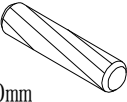


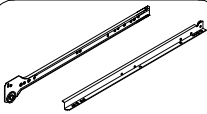
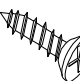
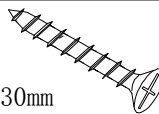
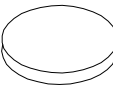
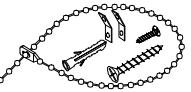
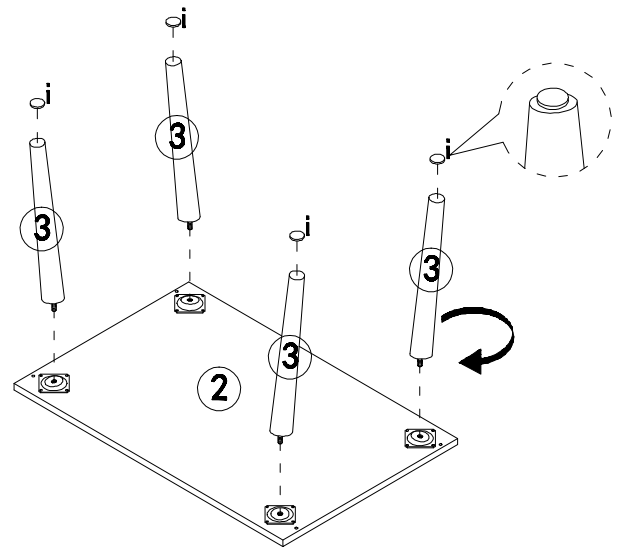
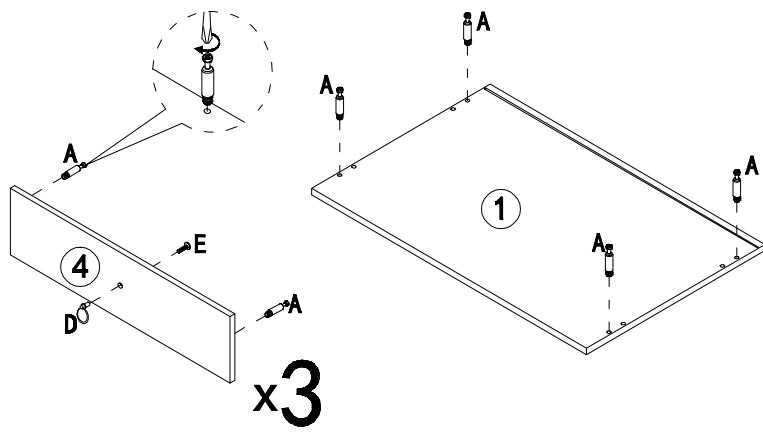
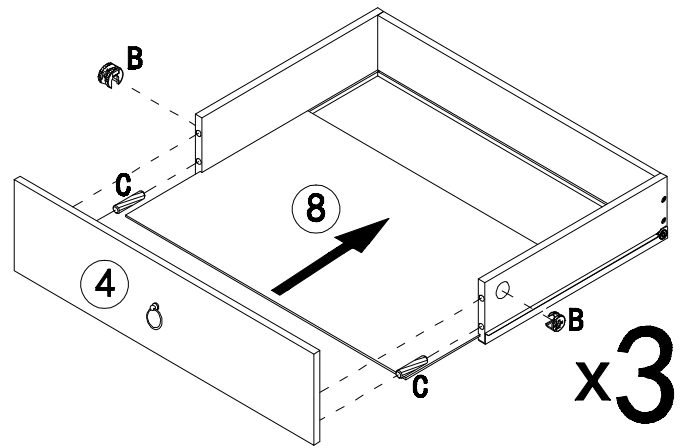
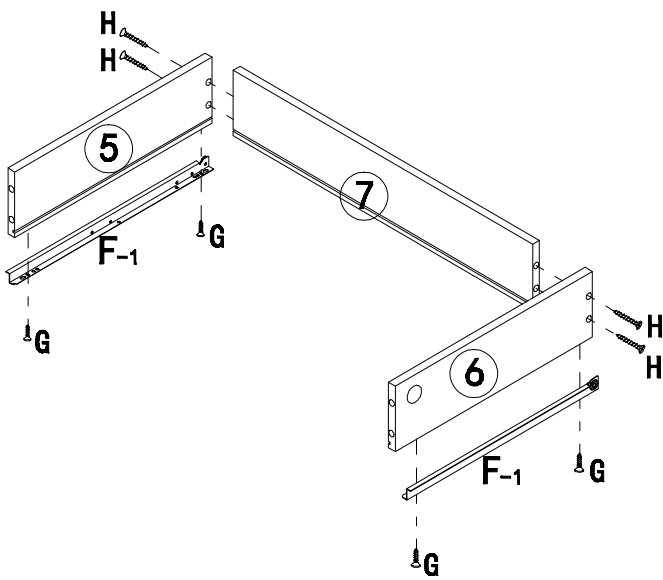
 6x35mm <b>A</b> x14	 15x10mm <b>B</b> x14	 6x30mm <b>C</b> x22	  <b>D</b> x3	 4x12mm <b>E</b> x3
  <b>F</b> x3	 3x12mm <b>G</b> x30	 4x30mm <b>H</b> x4	  <b>i</b> x4	  <b>J</b> x1

1



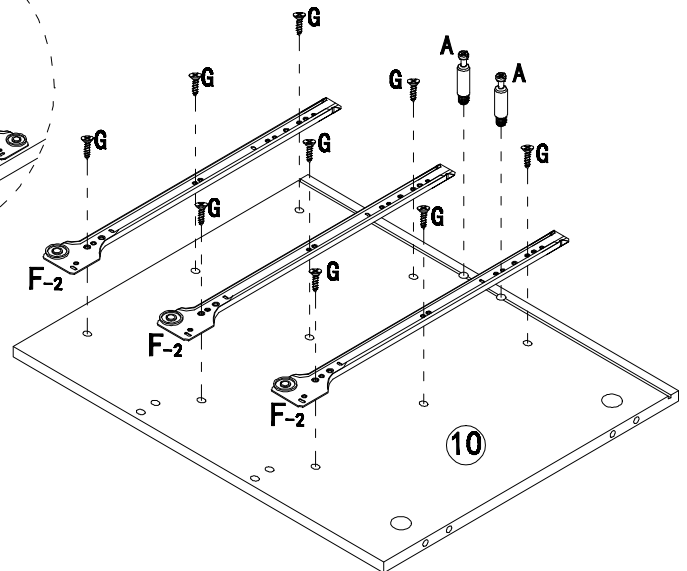
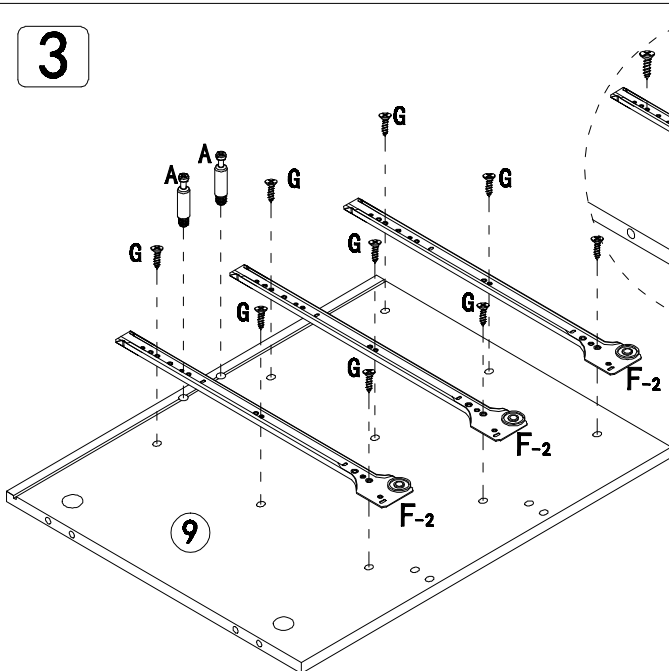
A x10	D x3	E x3	i x4	

2



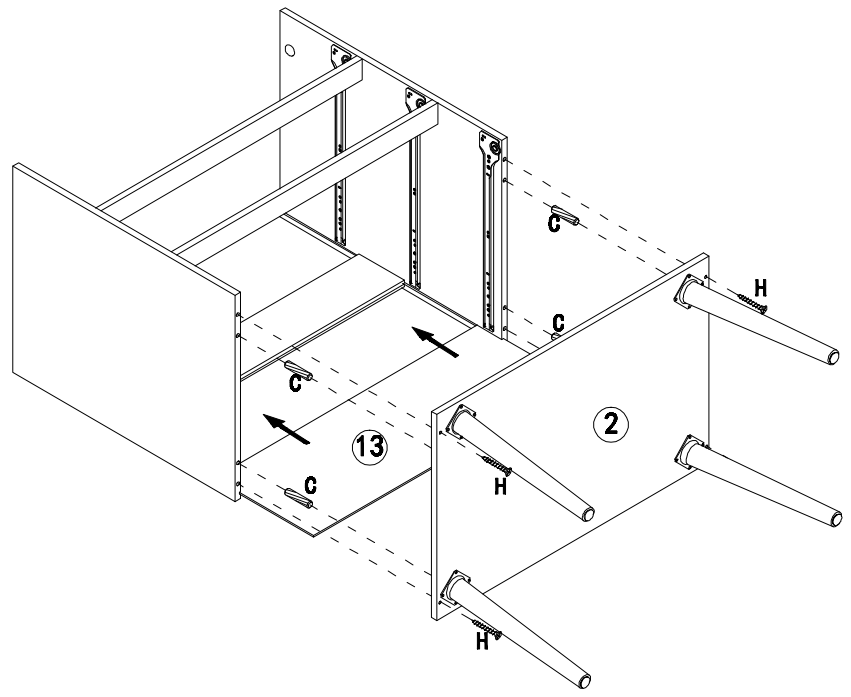
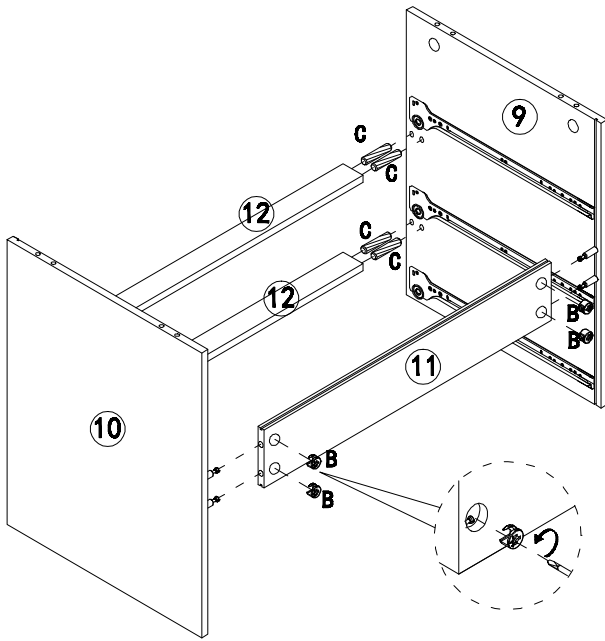
B x6	C x6	F-1 x6	H x12	G x12

3



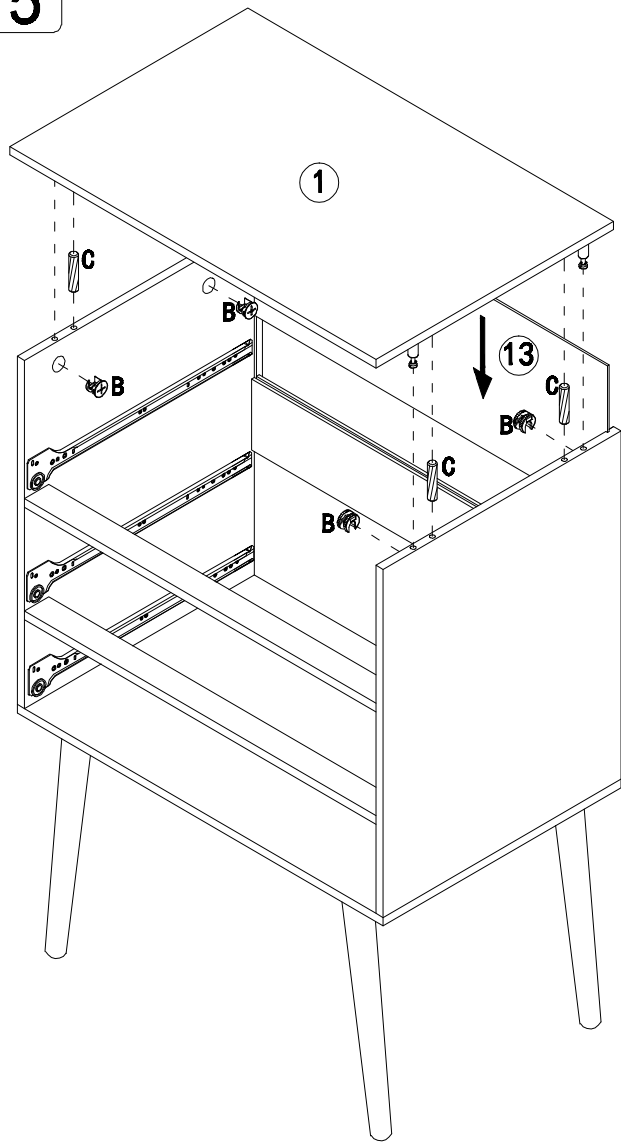
A x4	F-2 x6	G x18

4

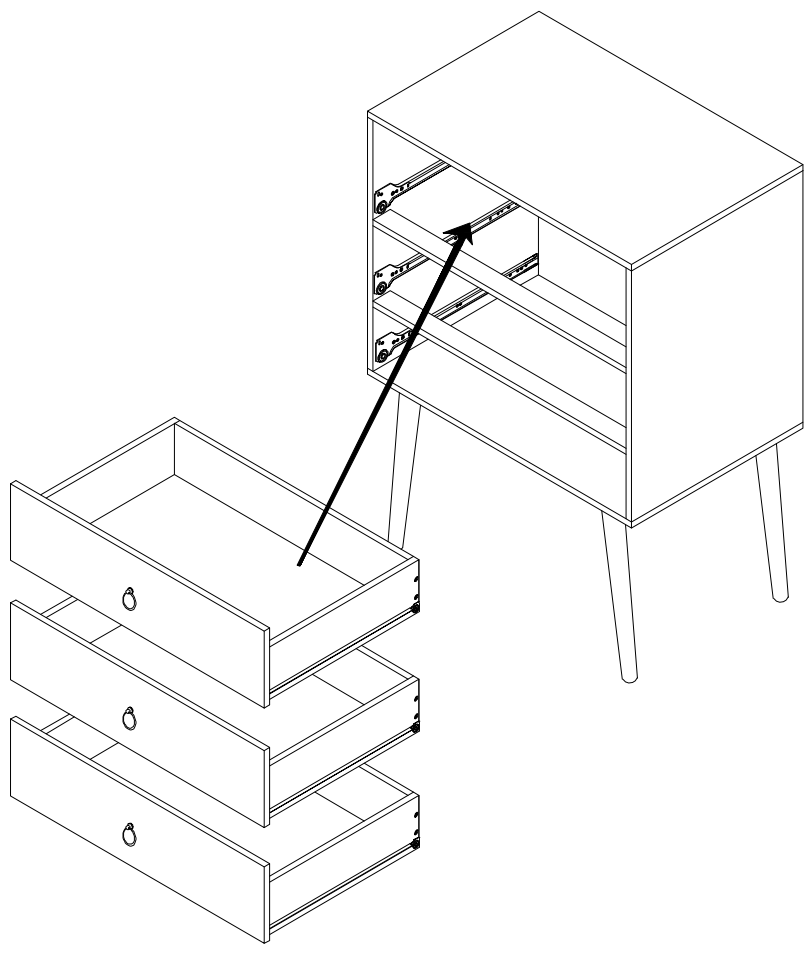


		
<b>B</b> ×4	<b>C</b> ×12	<b>H</b> ×4

5

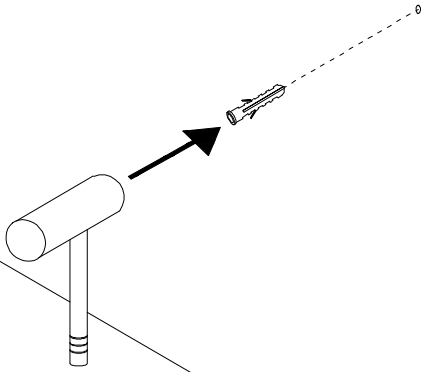


6

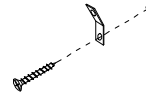


	
<b>B</b> ×4	<b>C</b> ×4

7



8



9



10

