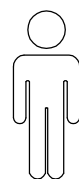
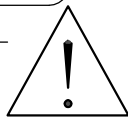
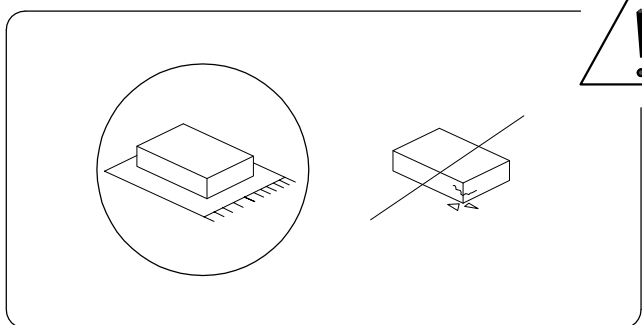
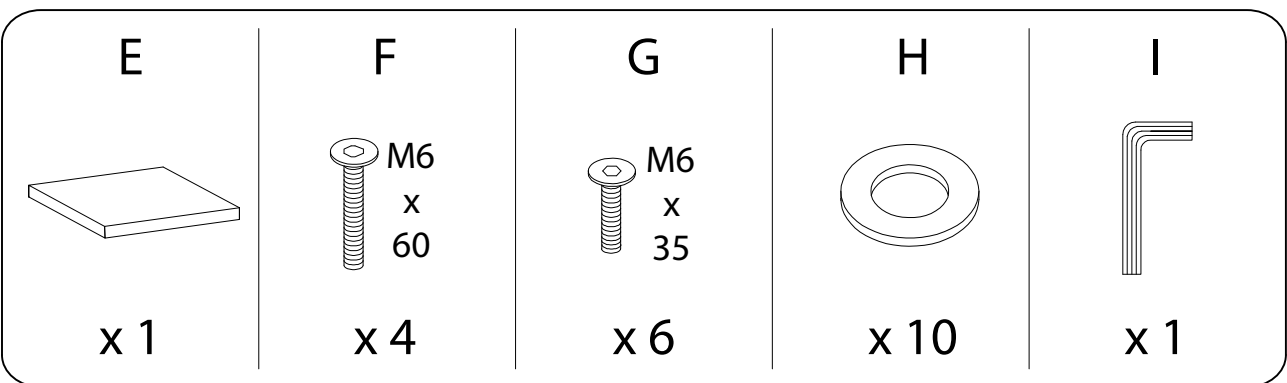
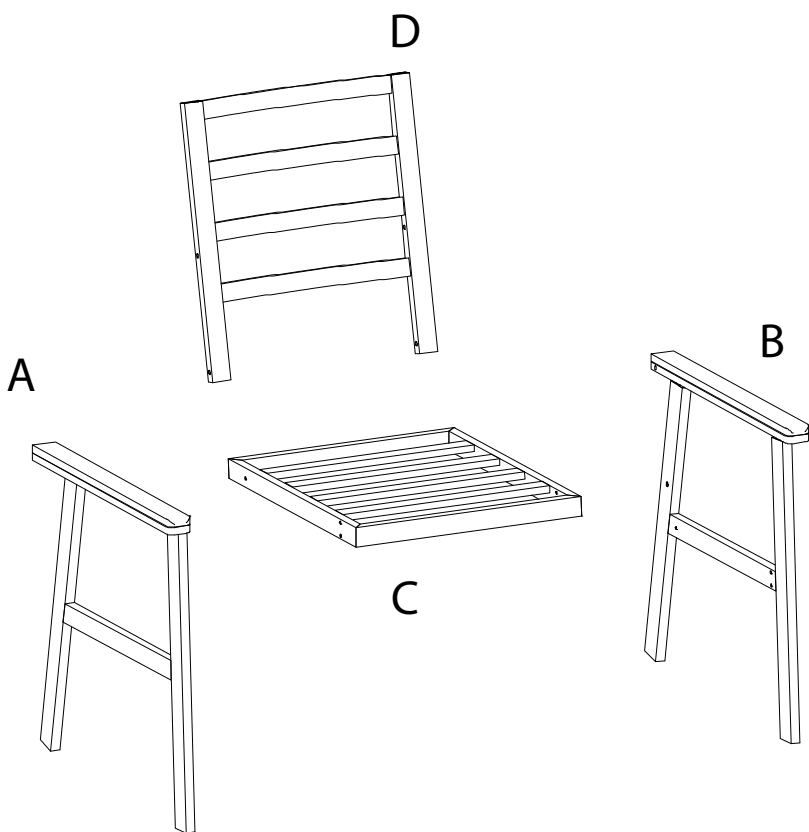
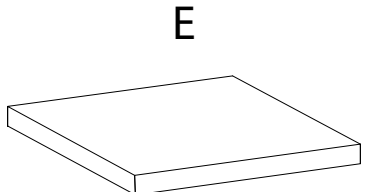
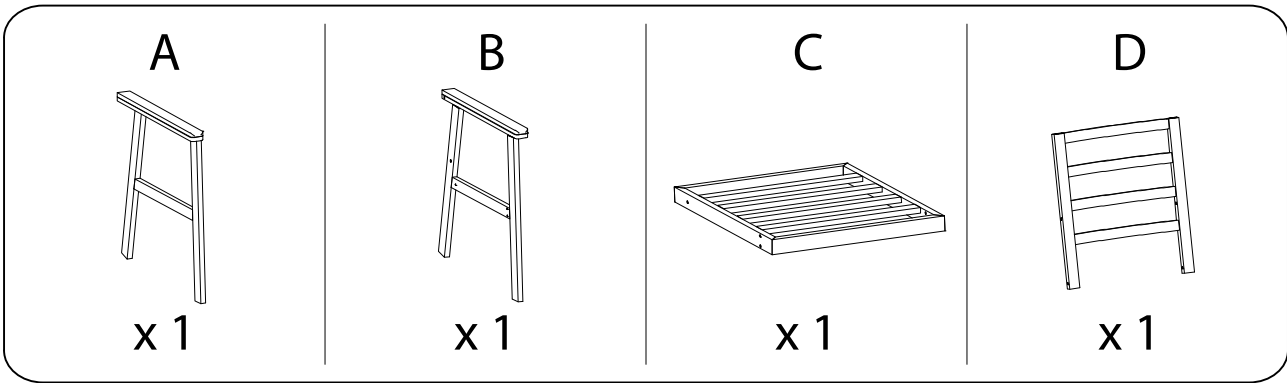


15'

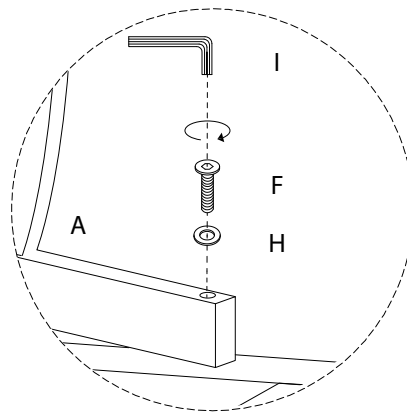
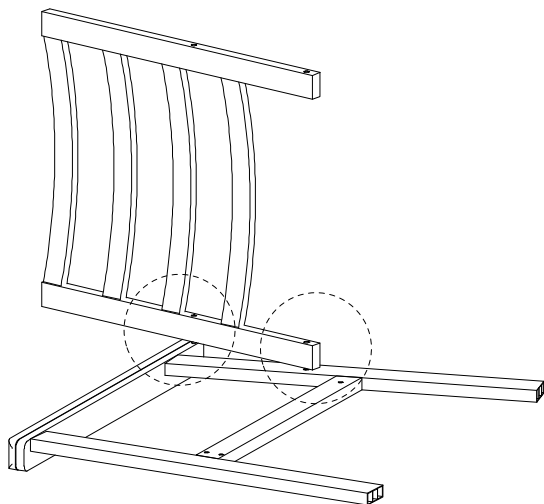
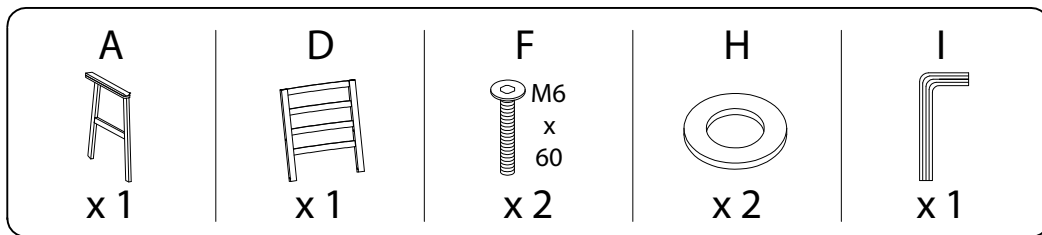


2

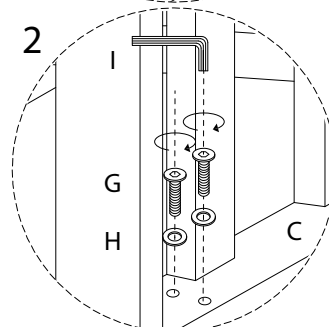
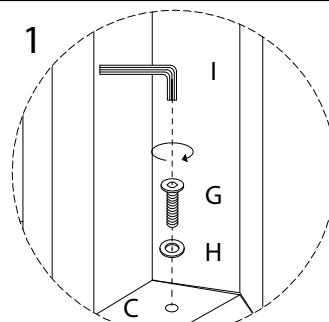
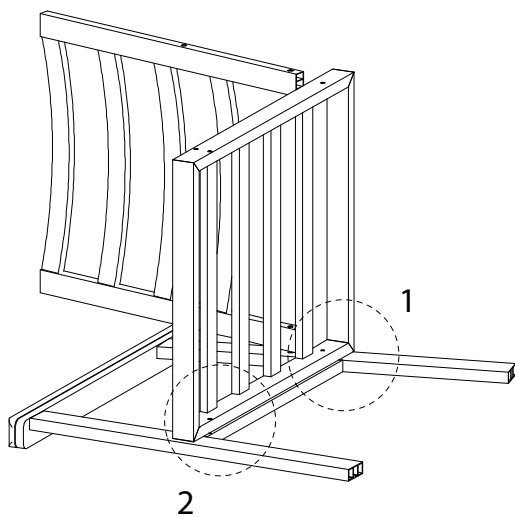
1/5



1

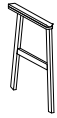


2



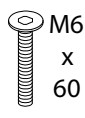
3

B



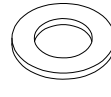
x 1

F



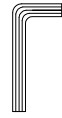
x 2

H

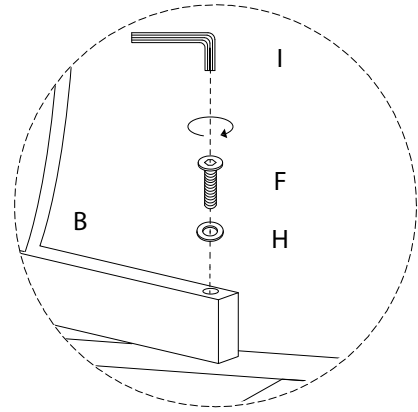
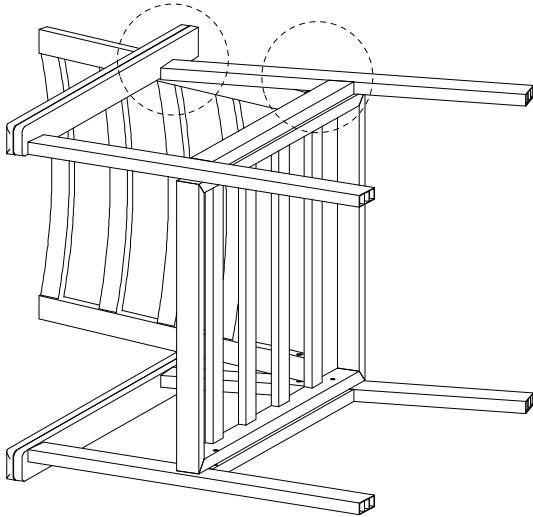


x 2

I



x 1



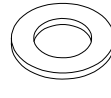
4

G



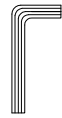
x 3

H

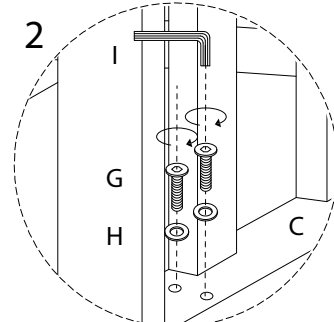
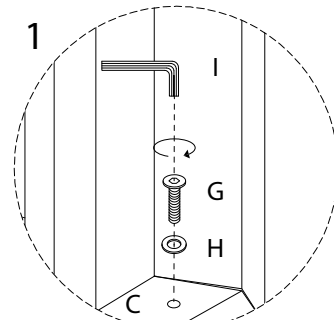
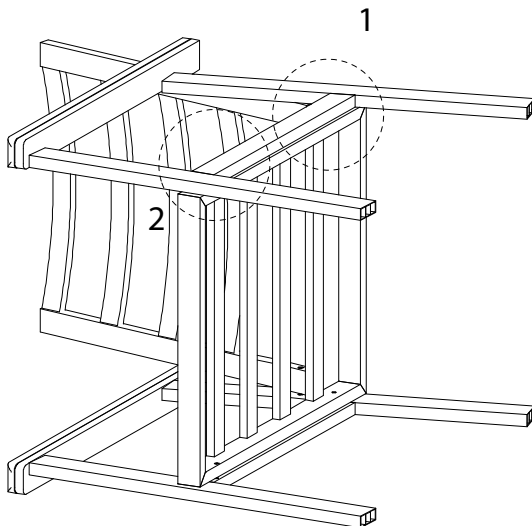


x 3

I

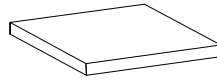


x 1



5

E



x 1

