
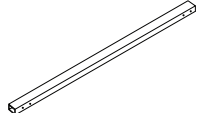
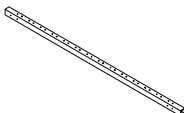
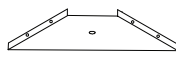

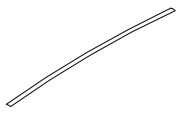
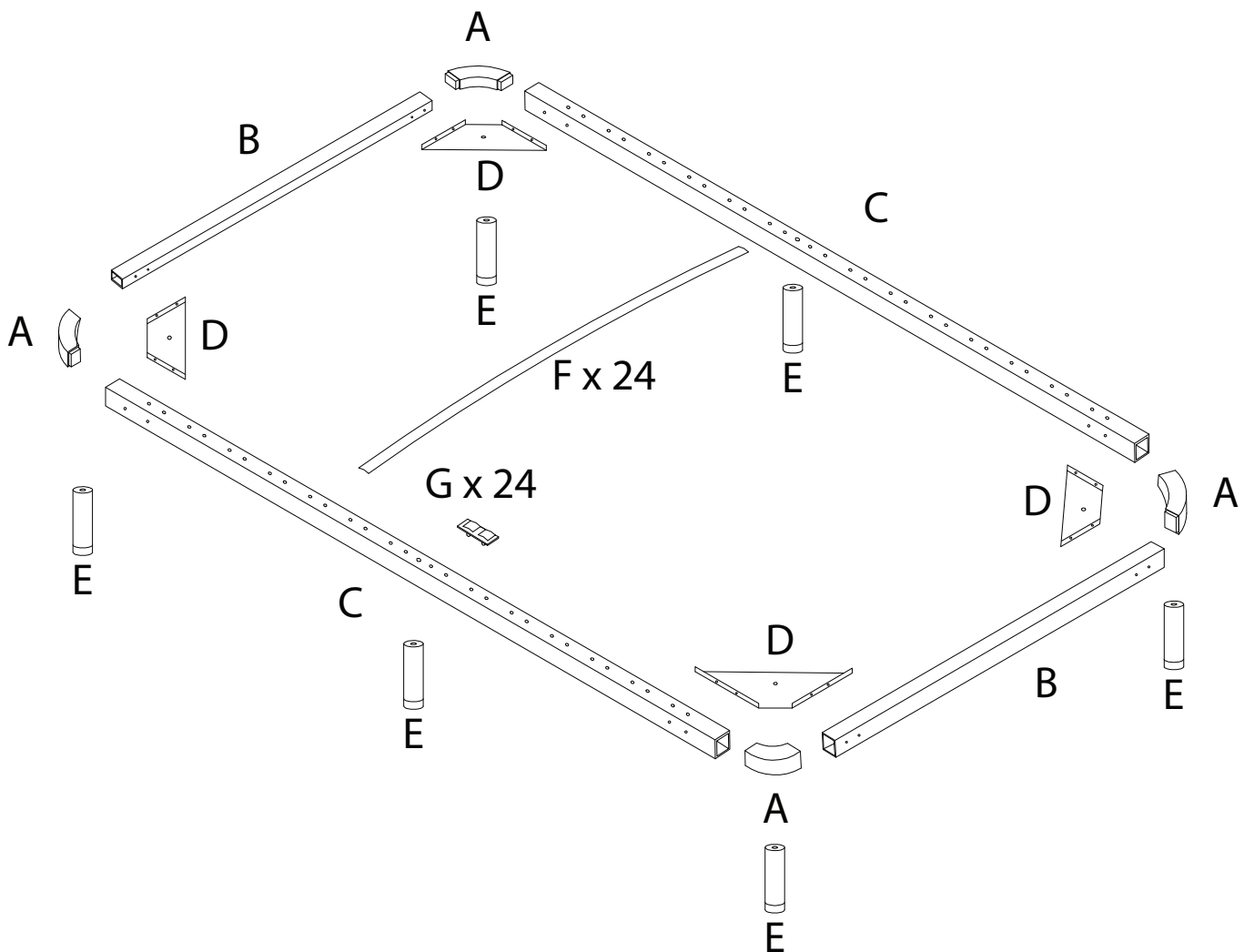
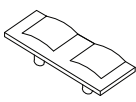
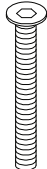
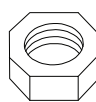
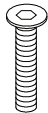
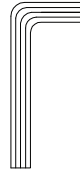
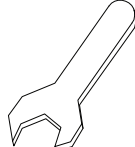
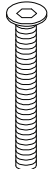


Assembly instructions for step 1/5:


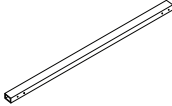
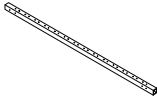

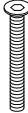
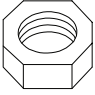


- Tools:** An icon in a circle shows an Allen key and a wrench. A power drill icon is crossed out with a diagonal line, indicating it should not be used.
- Warning:** A triangle with an exclamation mark points to the tool instructions.
- Time:** A clock icon is shown with the number 30' below it, indicating a 30-minute assembly time.
- Personnel:** An icon of a person is shown with the number 2 below it, indicating that two people are required for assembly.
- Warning:** A second triangle with an exclamation mark points to the personnel requirement.
- Diagram:** An icon in a circle shows a rectangular block being placed on a slatted surface. A second diagram shows the block being pushed down into the slats, with a diagonal line through it, indicating that the block should not be pushed down.

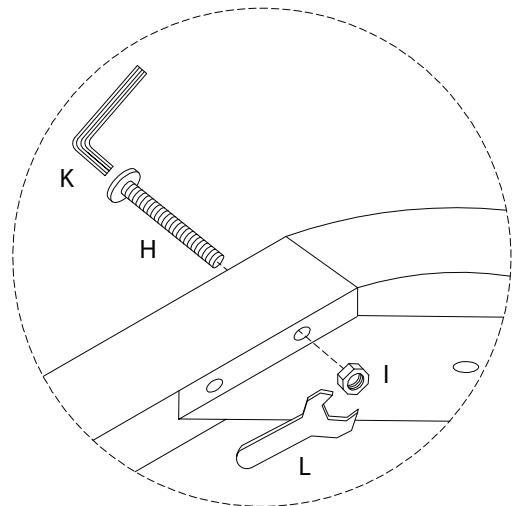
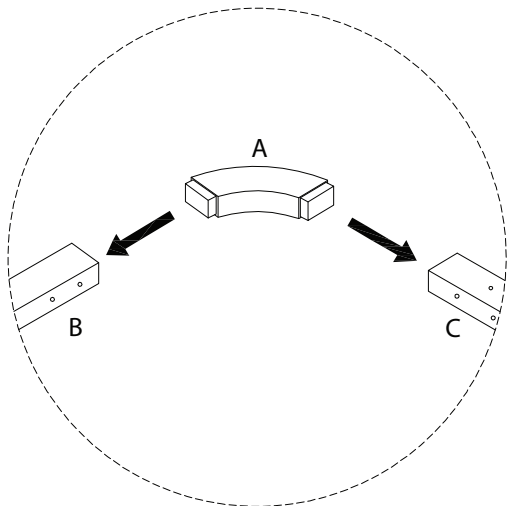
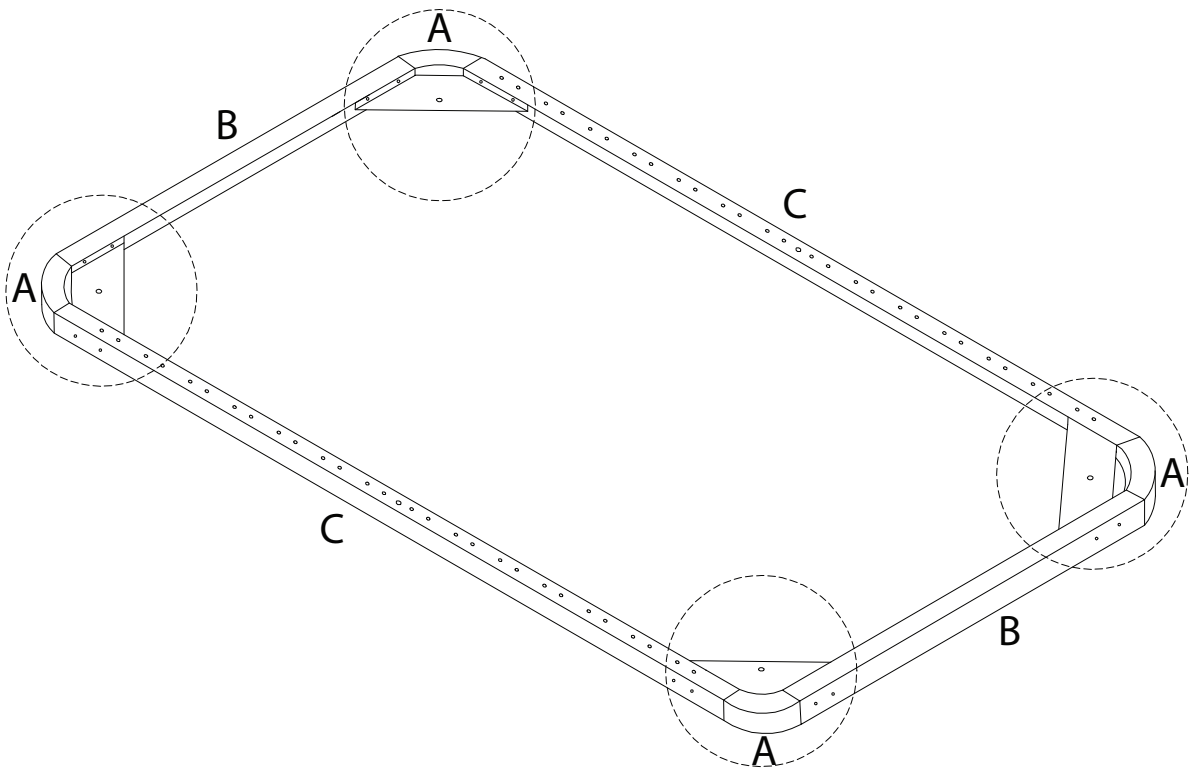
A	B	C	D	E	F
					
x 4	x 2	x 2	x 4	x 6	x 24



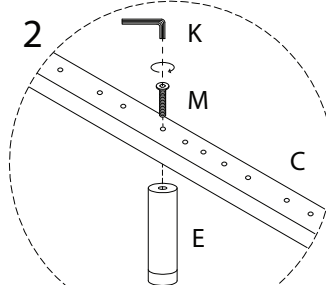
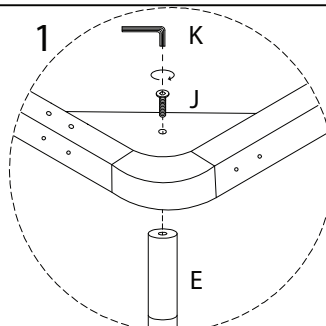
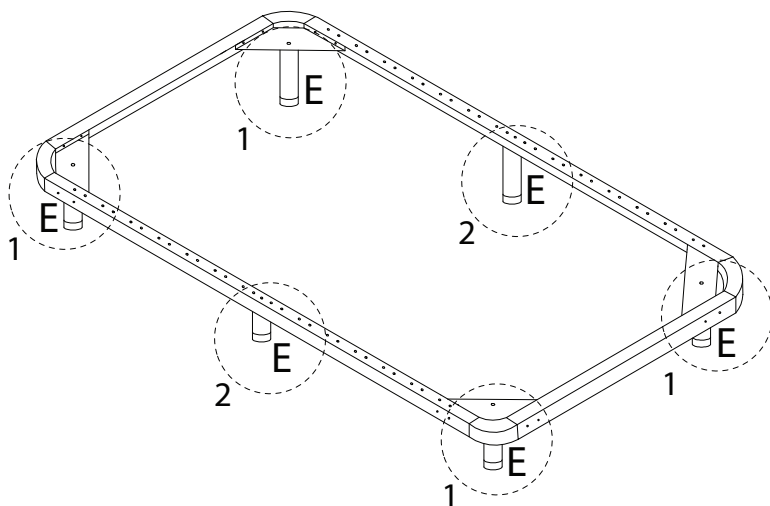
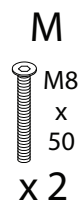
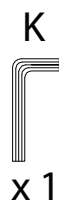
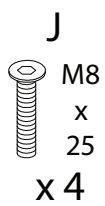
G	H	I	J	K	L	M
	 M8 x 40		 M8 x 25			 M8 x 50
x 24	x 16	x 16	x 4	x 1	x 1	x 2

1

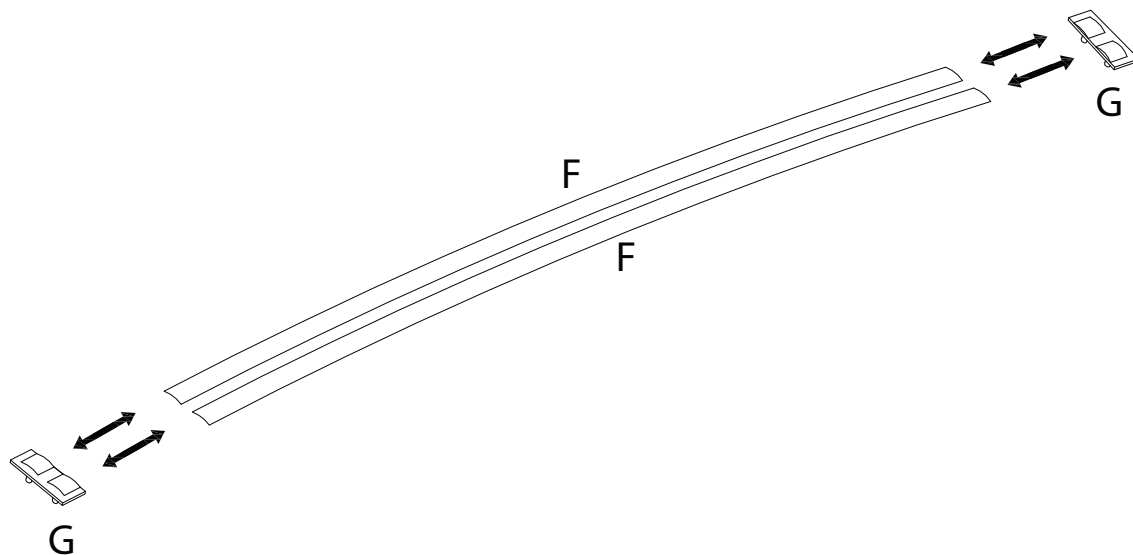
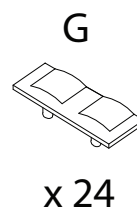
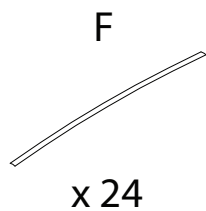
 x 4	 x 2	 x 2	 x 4
 M8 x 40 x 16	 x 16	 x 1	 x 1



2



3



4

