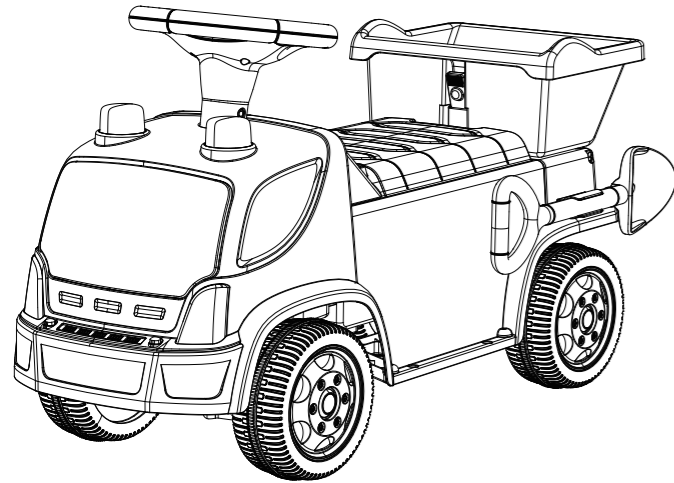


# CHILDREN'S FOOT-FLOOR TOY QUAD INSTALLATION AND OPERATION MANUAL



1. Suitable age for 18-36 Months.
  2. Maximum weight: 20KGS.
  3. Adult assembly required
- Execution Standard:  
EN71;EN62115  
ASTM F963; CPSIA

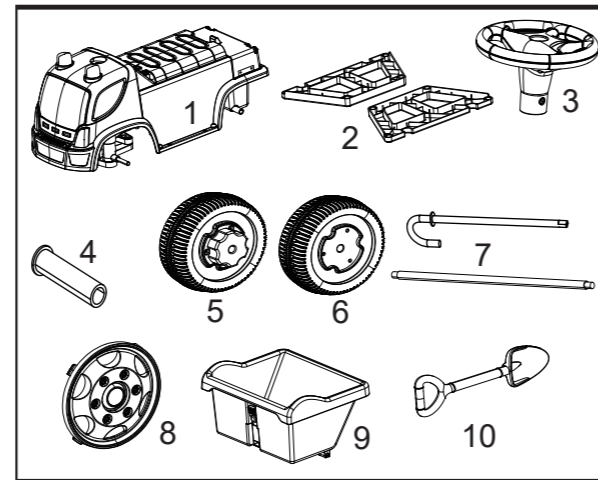
 Pictures are for reference only, please adhere to the original products as standard



## OWNER'S MANUAL








Read and understand this entire manual before using!  
Please keep this manual for future reference as it contains

## All spare parts When open the carton



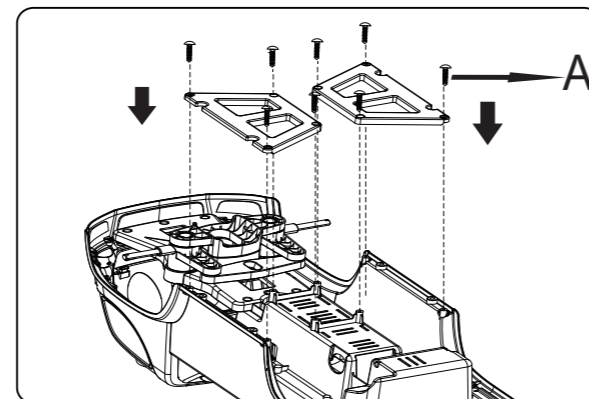
1.Body	2. Lateral support	3. Steering wheel
4. Axle sleeve X2	5. Rear wheel X1	6. Normal wheel X3
7. Steering lever & rear axle	8. Wheel cap X4	9. Tipping bucket
10. Spade		

## Number of screw packs

A  4X10 Self tapping screw X8	B  5X38 Screw X1	C  M5 Nut X3
D  10x18x1 Shim X8	E  10x20x2 Shim X1	F  2.5X3 Cotter pin X4
G  5X40 Screw X2		

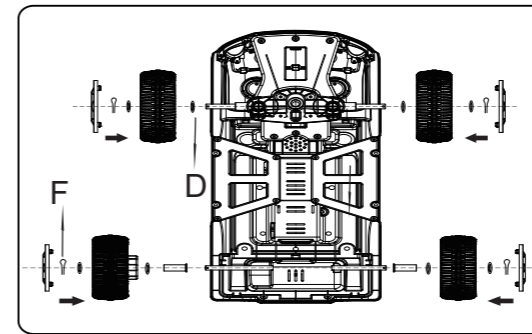
## Assembling Procedure:

### 1. Install Lateral support



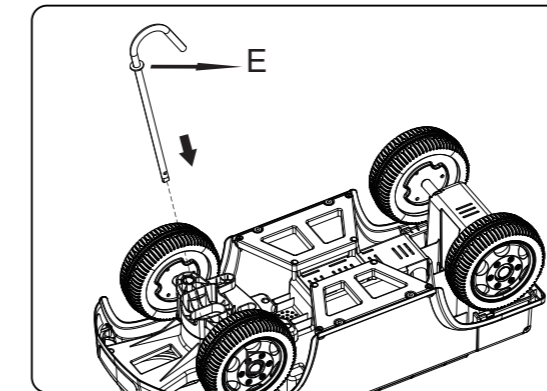
Turn over the car body, press the Lateral support on the car body, and fix it with screws. (4X10 Self tapping screw x8)

### 2. Install the wheel



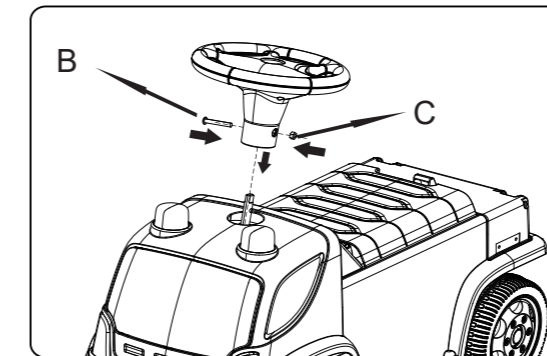
Flip the car body, insert the rear axle into the car body, put the axle sleeve and gasket, put the drive wheel on the left side, put the ordinary wheel on the right side, put the gasket on, lock with the opening pin, cover the wheel cover. The front wheel operates the same way. (10X18X1 Shim x8 & 2.5X3 Cotter pin x4)

### 3. Install steering lever



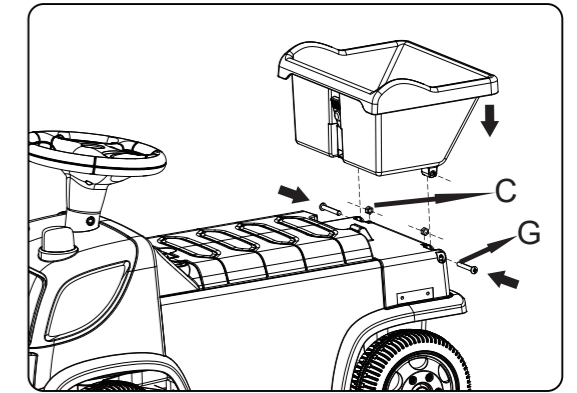
Put the steering lever with a shim to through the car's body. (10x20x2 Shim x1)

### 4. Install steering wheel



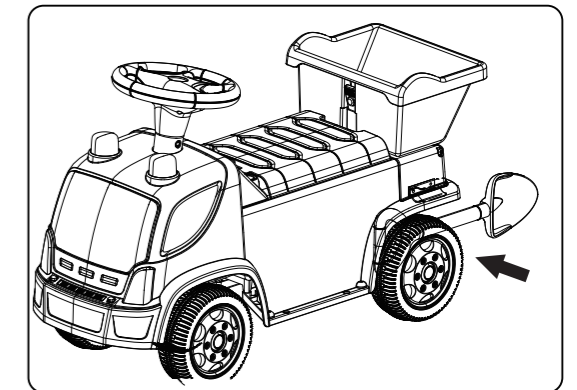
Insert the steering wheel into the steering lever, screw it tight. (M5 Nut x1 & 5x38 Screw x1)

### 5. Install the tipping bucket



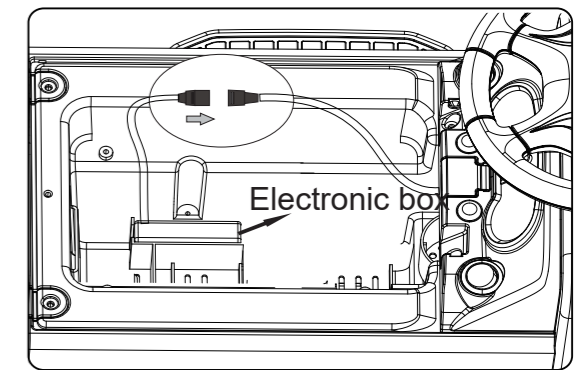
Put the tipping bucket on the tail of the car and screw it. (M5 Nut x2 & 5x40 Screw x2)

### 6. Install a spade



Put the spade into the slot on the side of the car

### 7. line connection



Open the seat, connect the cable speed on the battery box, open the battery box, add the dry battery, and close the seat. (3X1.5V#7 dry cell)

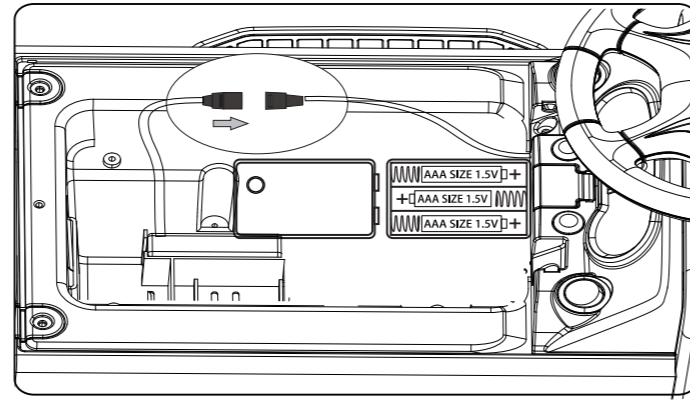
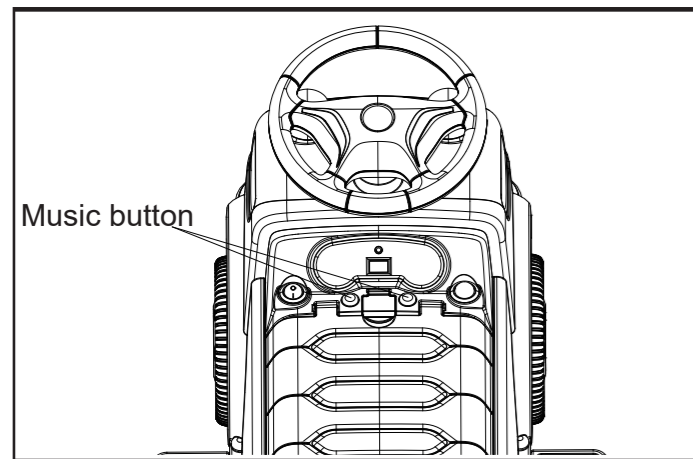
## Specifications

Item	
Available Ages	18-36month
Maximum Weight	20KGS
Size	72*28.2*42CM

## SAFETY PRECAUTIONS

01. While driving , adult supervision is required all the time
02. Always wear a helmet when driving
03. Please don't drive near road or on the footpath.
04. It is not recommended to drive the vehicle on wet surface or on slope greater than 15-degree.
05. It is recommended to drive this vehicle on smooth surface only.
06. Please don't drive this vehicle outdoors when it is raining.
07. Make sure that the vehicle stop completely before changing direction from forward to reverse
08. Please don't allow children to operate the play with the battery
09. Clean the vehicle with a dry cloth only.
10. Please follow the correct weight and age limits allowed to drive this vehicle.
11. It is prohibited to change the circuit or add other electric parts.
12. Adults must teach their children about safe driving procedures.
13. Please turn the power off when not in use.
14. Check the seat to ensure it has been fitted and secured with a bolt before driving.
15. Inspect all wires and connection of the vehicle periodically.
16. In order to avoid accidents, please ensure the vehicle is safe before driving.
17. Please don't let children touch the wheels or be near them when the car is moving.

## Operation Guide



The notices of installing and changing batteries  
(1).Do installe and change batteries by adults  
(2).install the batteries refer to the picturs(1) of the parts:

the installation of AAA (1.5V) batteries: open the cover, install the batteries correctly according to the marks of the postive and the negative erectrodes , finally close up and fasten the cover

(3).Do not mix the batteries,such as unused up batteries,new and

old batteries,different types batteries  
(4).take out the used-up batteries and avoid short circuit.

**This product does not come with dry battery, please buy by yourself.**

### **WARNING!**

For safety reasons,

\*please use this vehicle under adult guidance and supervision.

\*do not use this product on main roads, slopes, highways or other dangerous places.

\*children must wear shoes and protective gears when operating the vehicle.

\*only load a maximum of 20Kg on the vehicle.

\*only children aged 18 - 36 months should be allowed on this vehicle.

\*use this toy strictly according to safety manual.

\*please check the tires, steering wheels, seats before operating vehicle.

\*this toy vehicle should be used with caution and requires skill to avoid fall or collision with third parties.

**Pictures are for reference only, please adhere to the original products as standard**