

IR 2050 / IR 3050

EN

OPERATING MANUAL
RADIANT HEATER



Table of contents

Notes regarding the operating manual..... 2

Safety 2

Information about the device..... 4

Transport and storage..... 6

Assembly and installation..... 6

Operation 9

Available accessories..... 10

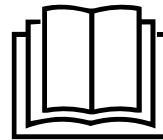
Errors and faults..... 11

Maintenance 11

Technical annex..... 12

Disposal 12

You can download the current version of the operating manual and the EU declaration of conformity via the following link:



IR 2050



<https://hub.trotec.com/?id=41230>


IR 3050





<https://hub.trotec.com/?id=43688>


Notes regarding the operating manual

Symbols


 **Warning of electrical voltage**
This symbol indicates dangers to the life and health of persons due to electrical voltage.


 **Warning of hot surface**
This symbol indicates dangers to the life and health of persons due to hot surface.

 **Warning**
This signal word indicates a hazard with an average risk level which, if not avoided, can result in serious injury or death.

 **Caution**
This signal word indicates a hazard with a low risk level which, if not avoided, can result in minor or moderate injury.


Note
This signal word indicates important information (e.g. material damage), but does not indicate hazards.


 **Info**
Information marked with this symbol helps you to carry out your tasks quickly and safely.

 **Follow the manual**
Information marked with this symbol indicates that the operating manual must be observed.

Safety

Read this manual carefully before starting or using the device. Always store the manual in the immediate vicinity of the device or its site of use.

 **Warning**
Read all safety warnings and all instructions. Failure to follow the warnings and instructions may result in electric shock, fire and/or serious injury. **Save all warnings and instructions for future reference.**
This appliance can be used by children aged from 8 years and above and persons with reduced physical, sensory or mental capabilities or lack of experience and knowledge if they have been given supervision or instruction concerning use of the appliance in a safe way and understand the hazards involved. Children shall not play with the appliance. Cleaning and user maintenance shall not be made by children without supervision.

 **Warning**
Children of less than 3 years should be kept away from the device unless continuously supervised. Children aged from 3 years and less than 8 years shall only switch on/off the appliance provided that it has been placed or installed in its intended normal operating position and they have been given supervision or instruction concerning use of the appliance in a safe way and understand the hazards involved. Children aged from 3 years and less than 8 years shall not plug in, regulate and clean the appliance or perform user maintenance.



Warning

Do not use the device in small rooms if persons are present who cannot leave the room independently and who are not under constant supervision.



Warning

Always remove the transport protection made of plastic foam completely from the device before taking the device into operation. Otherwise there is a risk of fire! Observe the Assembly and installation chapter.

- Do not use the device in potentially explosive rooms or areas and do not install it there.
- Do not use the device in aggressive atmosphere.
- Let the device dry out after a wet clean. Do not operate it when wet.
- Do not use the device with wet or damp hands.
- Do not expose the device to directly squirting water.
- Never insert any objects or limbs into the device.
- Do not use the device as source of ignition.
- Do not cover or transport the device during operation.
- This appliance is not a toy! Keep away from children and animals. Do not leave the device unattended during operation.
- Check accessories and connection parts for possible damage prior to every use of the device. Do not use any defective devices or device parts.
- Ensure that all electric cables outside of the device are protected from damage (e.g. caused by animals). Never use the device if electric cables or the power connection are damaged!
- The electrical connection must correspond to the specifications in chapter Technical data.
- Insert the mains plug into a properly secured mains socket.
- Observe the device's power input, cable length and intended use when selecting extensions to the power cable. Completely unroll extension cables. Avoid electrical overload.
- Before carrying out maintenance, care or repair work on the device, remove the mains plug from the mains socket. Hold onto the mains plug while doing so.
- Switch the device off and disconnect the power cable from the mains socket when the device is not in use.
- Do not under any circumstances use the device if you detect damages on the mains plug or power cable. If the power cable is damaged, it must be replaced by the manufacturer, its service agent or similarly qualified persons in order to avoid a hazard. Defective power cables pose a serious health risk!

- During the installation of the device observe the minimum distances from walls and other objects as well as the storage and operating conditions specified in the Technical data chapter.
- Do not use the device in immediate proximity to curtains, beds or sofas.
- Do not transport the device during operation.
- Allow the device to cool down before transport and/or maintenance work.
- Do not use this device near bathtubs, shower trays, swimming pools or other water containers. Risk of electric shock!
- The device must not be installed directly beneath a wall socket.
- The device must be set up in a way that the switches and controllers cannot be touched by a person in a bathtub or shower.

Intended use

Use the device IR 2050 / IR 3050 for heating surfaces in roofed and non-roofed outdoor areas.

Intended use comprises:

- heating surfaces
 - in storage facilities,
 - in construction areas,
 - in containers,
 - in the catering trade,
 - at trade fairs and events,
 - in outdoor areas (e.g. terraces).

Note

Please use a safety fuse (overcurrent protection device) or a type C circuit breaker.

Improper use

The device is not intended for industrial use.

- Do not place any objects, e.g. clothing, on the device.
- Do not use the device for heating in vehicles.
- Do not use this device in the vicinity of fuel, solvents, varnishes or other easily inflammable vapours or in rooms where these substances are stored.
- The device may not be used as a heating device for babies / children or animals.
- The device may not be installed inside a shower or directly above a bathtub.
- The device must not be used near swimming pools.
- Do not use this device in the immediate vicinity of sinks, bathtubs or other water containers. Never immerse the device in water.
- The device must not be mounted to the ceiling.

- Any operation other than as described in this manual is prohibited. Non-observance renders all claims for liability and guarantee null and void.

Any unauthorised changes, modifications or alterations to the device are forbidden.


Personnel qualifications

People who use this device must:






- be aware of the dangers that occur when working with electric devices in damp areas.
- have read and understood the operating manual, especially the Safety chapter.






Maintenance tasks which require the housing to be opened must only be carried out by specialist electrical companies or by Trotec.

Symbols on the device

Symbols	Meaning
	This symbol located on the device indicates that it is prohibited to place objects (such as towels, clothes etc.) above or directly in front of the device. In order to avoid overheating and fire hazards, the heater must not be covered.

Residual risks

-  **Warning of electrical voltage**
Work on the electrical components must only be carried out by an authorised specialist company!
-  **Warning of electrical voltage**
Before any work on the device, remove the mains plug from the mains socket!
Do not touch the mains plug with wet or damp hands. Hold onto the mains plug while pulling the power cable out of the mains socket.
-  **Warning of hot surface**
Some parts of this product can become very hot and cause burns. Particular attention has to be given where children and vulnerable people are present!
-  **Warning**
Dangers can occur at the device when it is used by untrained people in an unprofessional or improper way! Observe the personnel qualifications!
-  **Warning**
The device is not a toy and does not belong in the hands of children.

-  **Warning**
Risk of suffocation!
Do not leave the packaging lying around. Children may use it as a dangerous toy.
-  **Warning**
Improper installation entails a risk of fire.
Do not place the device on combustible ground.
Do not place the device on high-pile carpets.
-  **Warning**
Risk of injury due to infrared radiation!
Do not stay in the device's immediate vicinity for too long. Do not look directly into the device for too long. Observe the minimum distances.
-  **Warning**
In order to avoid overheating and fire hazards, the device must not be covered!
-  **Warning**
Coarse dirt particles on the heating rods can cause the device to overheat. Fire hazard!
Remove coarse dirt particles from the heating rods according to the Maintenance chapter before switching on the device.

Behaviour in the event of an emergency

1. Switch off the device.
2. In an emergency, disconnect the device from the mains feed-in: Hold onto the mains plug while pulling the power cable out of the mains socket.
3. Do not reconnect a defective device to the mains.

Information about the device

Device description

Note

Please use a safety fuse (overcurrent protection device) or a type C circuit breaker.

The device IR 2050 / IR 3050 is used to quickly generate instant heat.

The device is based on the functional principle of heat generation by infrared radiation. Persons or objects are heated directly.

The 3 heating levels can be selected using the remote control.

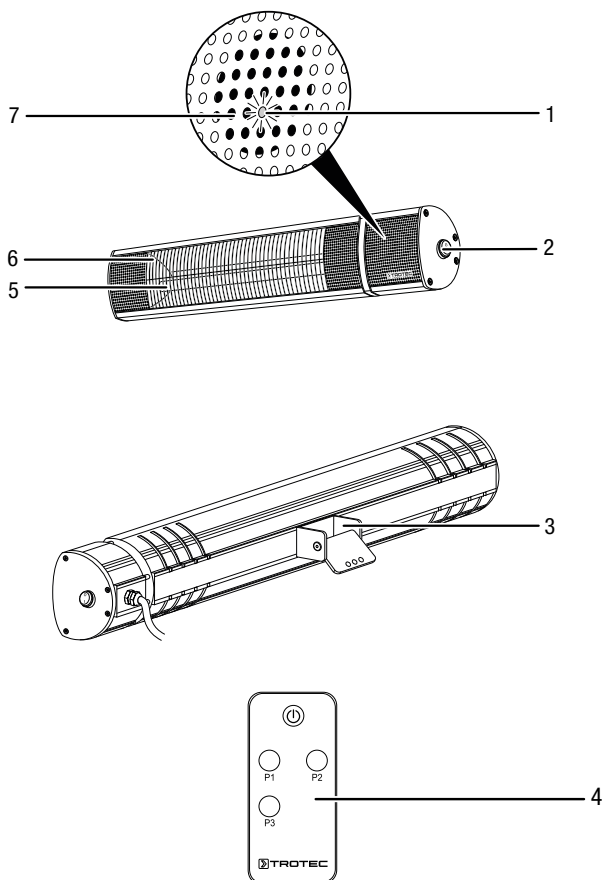
The device indicates operation by means of two-coloured LEDs.

- suitable for outdoor use
- IP65 type of protection – water-jet-proof professional device, dustproof and rainproof from all directions
- The IR 2050 comes equipped with a high-quality low-glare short-wave infrared tube offering more heat, lower brightness and a long service life.

- The IR 3050 comes equipped with two high-quality low-glare short-wave infrared tubes offering more heat, lower brightness and a long service life.
- approx. 6,000 operating hours with a light reduction of 80 %
- only suitable for wall mounting
- adjustable angle
- no dust circulation (suitable for allergy sufferers)

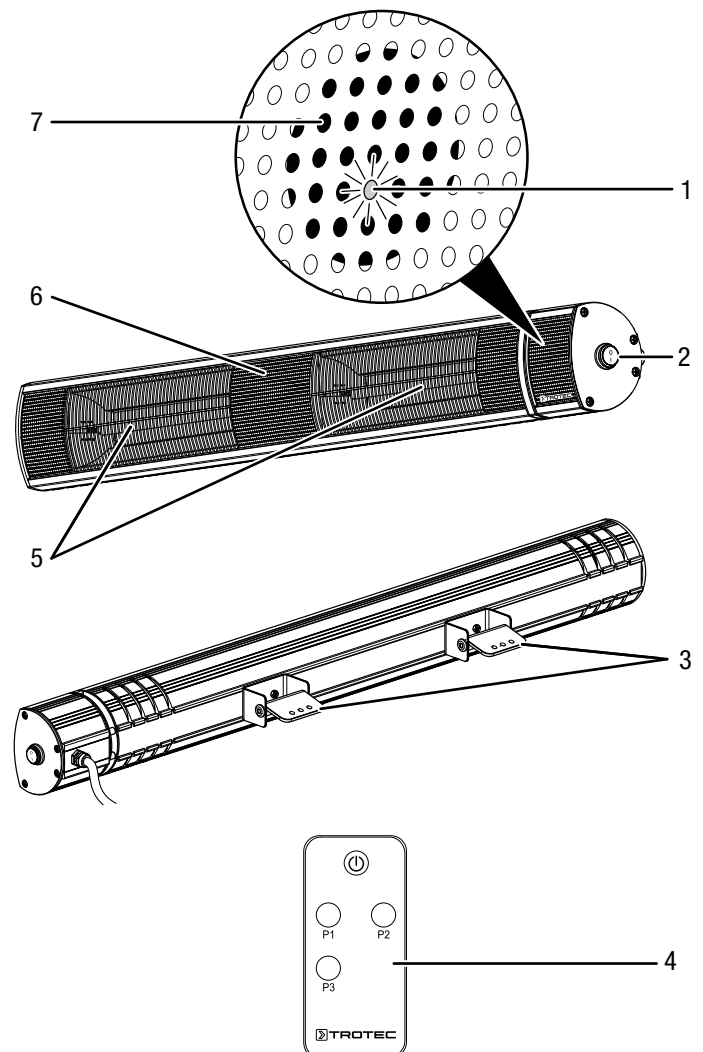
Device depiction

IR 2050



No.	Designation
1	Operating light (behind grille)
2	On/off switch
3	Wall holder with adjustable inclination angle
4	Remote control
5	Heating rod
6	Grille
7	Infrared receiver for remote control

IR 3050



No.	Designation
1	Operating light (behind grille)
2	On/off switch
3	Wall holder with adjustable inclination angle
4	Remote control
5	Heating rod
6	Grille
7	Infrared receiver for remote control

Transport and storage

Note

If you store or transport the device improperly, the device may be damaged.

Note the information regarding transport and storage of the device.

Transport

Before transporting the device, observe the following:

- Switch the device off.
- Hold onto the mains plug while pulling the power cable out of the mains socket.
- Do not use the power cable to drag the device.
- Allow the device to cool down sufficiently.

Storage

Before storing the device, proceed as follows:

- Hold onto the mains plug while pulling the power cable out of the mains socket.
- Allow the device to cool down sufficiently.

When the device is not being used, observe the following storage conditions:

- dry and protected from frost and heat
- in an upright position where it is protected from dust and direct sunlight
- with a cover to protect it from invasive dust, if necessary
- Place no further devices or objects on top of the device to prevent it from being damaged.
- Remove batteries from the remote control.

Assembly and installation

Scope of delivery

IR 2050

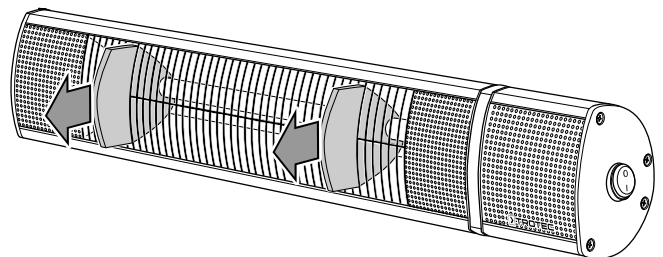
- 1 x Device
- 1 x Mounting bracket
- 2 x Wing nut
- 3 x Screw
- 2 x Fastening screw
- 3 x Wall plug
- 1 x SW 5 Allen wrench
- 1 x Remote control
- 1 x Manual

IR 3050

- 1 x Device
- 2 x Mounting bracket
- 4 x Wing nut
- 6 x Screw
- 4 x Fastening screw
- 6 x Wall plug
- 1 x SW 5 Allen wrench
- 1 x Remote control
- 1 x Manual

Unpacking the device

1. Open the cardboard box and take the device out.
2. Completely remove the packaging.
3. Remove the transport protection from the grille (6) of the radiant heater.



4. Fully unwind the power cable. Make sure that the power cable is not damaged and that you do not damage it during unwinding.

Assembly

The device is only suited for wall mounting. Observe the following requirement for installation inside a room:



Warning

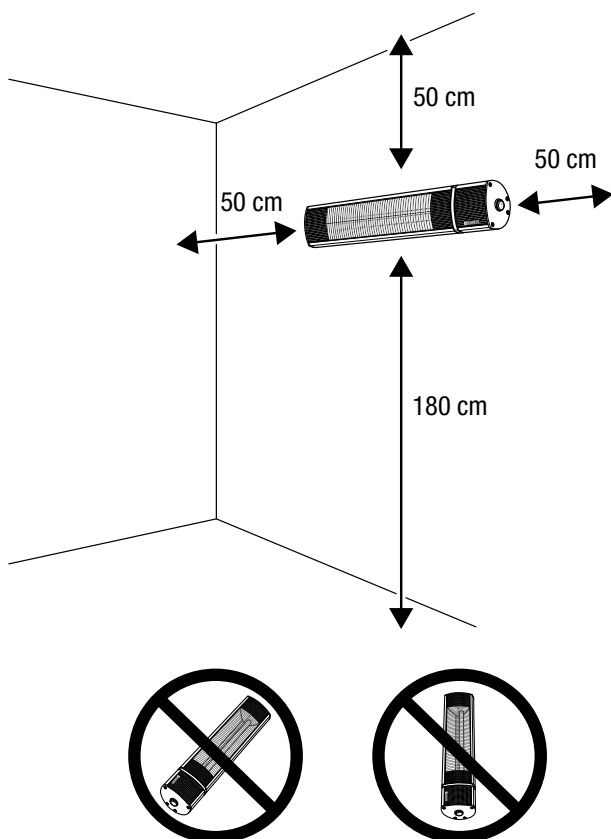
Risk of fire due to improper installation!
There is a risk of fire if the required minimum distances are not observed.

The device must be positioned at a distance of at least 180 cm from the floor and at least 50 cm from walls and other objects such as curtains or sockets.

Installation

When installing the device, observe the minimum distances from walls and other objects as described in the Technical data chapter.

- Minimum distance of 180 cm from the floor.
- Minimum distance of 50 cm from adjacent walls or other objects.
- Do not install the device at the ceiling or directly behind a door.
- Never install the device in a way that it radiates directly onto walls or other objects. Observe the minimum distances from walls or other objects according to the Technical data chapter.
- Only install the device in a horizontal position.

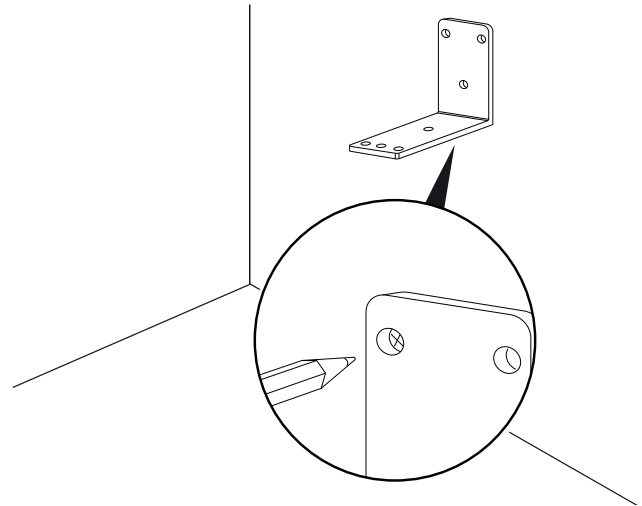


The following is required for installation:

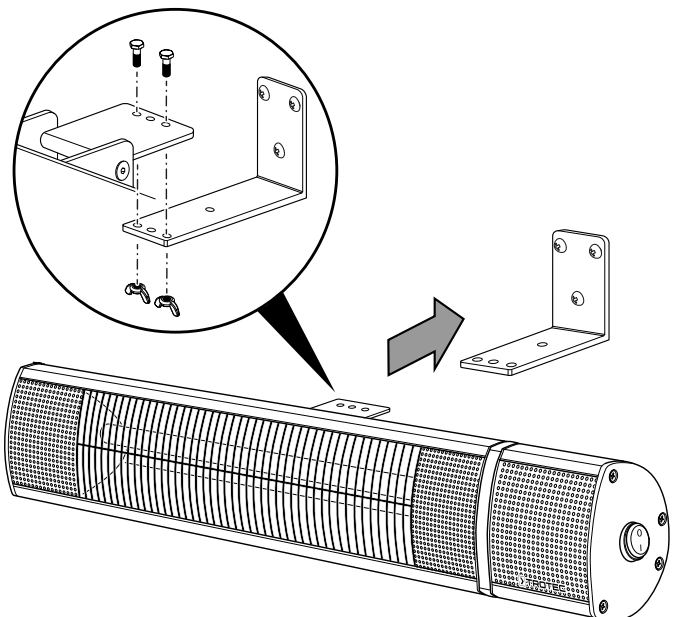
- a pencil for marking the drill holes
- a suitable drill
- wall plugs appropriate for the structure of the wall
- a screwdriver
- a spirit level

IR 2050

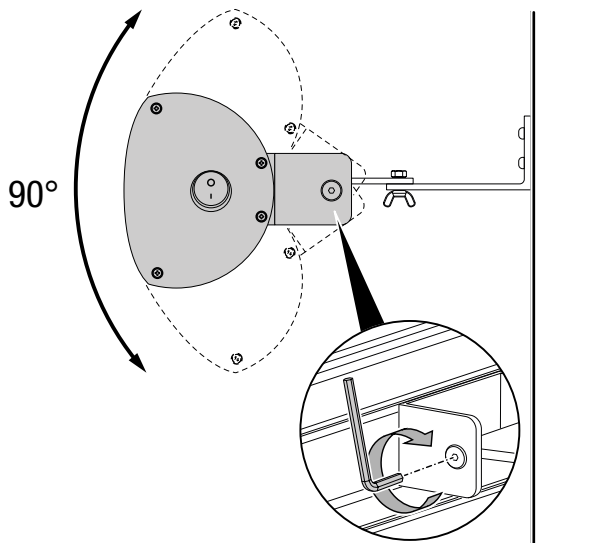
1. Mark the drill holes on the wall.



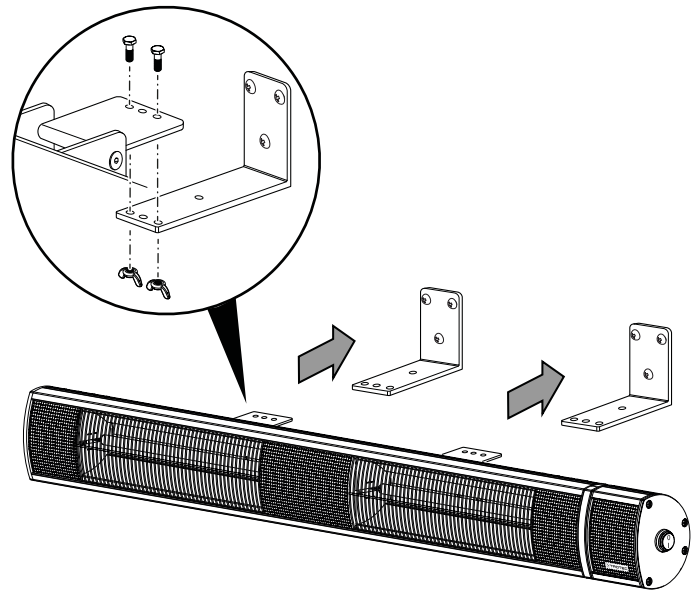
2. Drill the holes into the wall at the marked positions.
3. Insert suitable wall plugs into the drill holes.
4. Screw the mounting bracket to the wall.
5. Check the mounting bracket for tight fit.
6. Screw the device onto the mounting bracket. To do so, fasten the wall holder to the mounting bracket using the fastening screws and wing nuts.
7. Make sure that the device is attached securely.



8. Tilt the device to the desired angle. The device can be tilted upwards and downwards by 90°. Use the Allen wrench to fix the inclination angle.

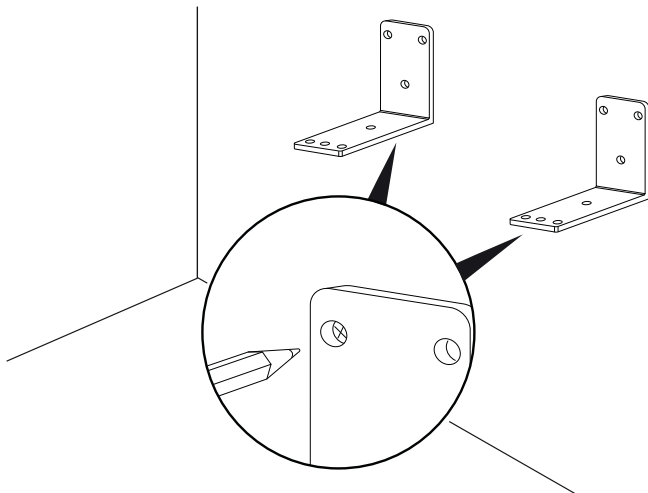


7. Make sure that the device is attached securely.

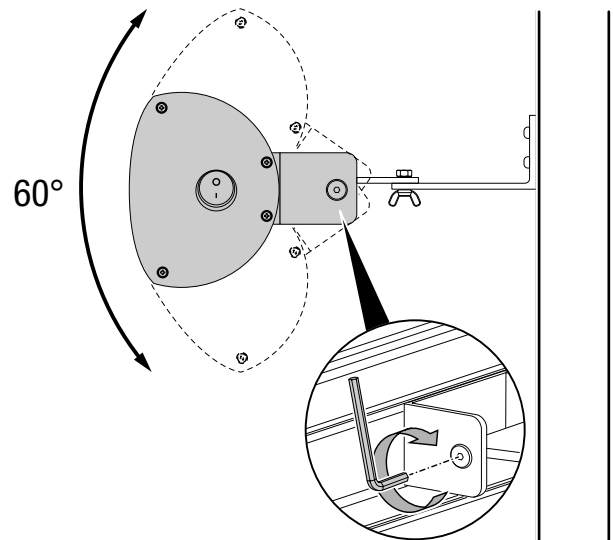


IR 3050

1. Mark the drill holes on the wall.



8. Tilt the device to the desired angle. The device can be tilted upwards and downwards by 60°. Use the Allen wrench to fix the inclination angle.



2. Drill the holes into the wall at the marked positions.
3. Insert suitable wall plugs into the drill holes.
4. Screw the mounting brackets to the wall.
5. Check the mounting brackets for tight fit.
6. Screw the device onto the mounting brackets. To do so, fasten the wall holders to the mounting brackets using the fastening screws and wing nuts.

Start-up

Note

Please use a safety fuse (overcurrent protection device) or a type C circuit breaker.

Note

Current peaks in the millisecond range may occur temporarily during switch-on of the device. With an output of up to 3,000 watts, this may cause category 16A-B circuit breakers to trigger and to become defective in the long run.

If necessary, have the fuses replaced by a specialist electrical company.



Info

Odours might arise upon initial start-up or after a longer period of non-use.

- Before restarting the device, check the condition of the power cable. If there are doubts as to the sound condition, contact the customer service.
- Do not create tripping hazards when laying the power cable or other electric cables, especially when positioning the device in the middle of the room. Use cable bridges.
- Make sure that extension cables are completely unrolled.
- Make sure that there are no curtains or similar objects in the immediate vicinity.

Prior to initial start-up, insert batteries in the remote control.

Connecting the power cable

- Insert the mains plug into a properly secured mains power socket.
- Make sure that the power cable is guided along the back of the device. Never guide the power cable along the front of the device!

Operation

Note

Please use a safety fuse (overcurrent protection device) or a type C circuit breaker.



Info

The device will only emit heat if the settings are made via the remote control.



Info

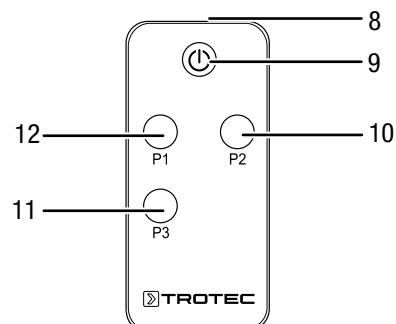
If you switch off the device via the remote control, the device will be set to standby mode. If standby operation is not required, you can switch the device off via the on/off switch (2).

Remote control

The device settings can only be made using the remote control included in the scope of delivery.

Therefore, keep the remote control in a safe place, otherwise the device can no longer be operated. Should you still be unable to find the remote control, you can reorder a new one from Trotec.

IR 2050

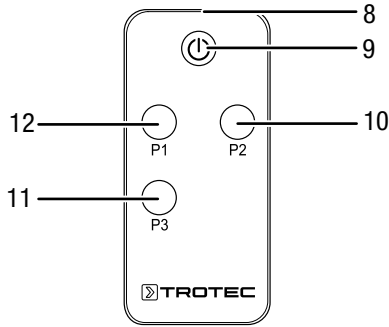


No.	Designation	Meaning
8	Transmitter	Sends signals to the device.
9	Power button	For switching the device on and off
10	P2 button	To select heating capacity level 2 (1500 W)
11	P3 button	To select heating capacity level 3 (2000 W)
12	P1 button	To select heating capacity level 1 (750 W)

IR 3050

Note

Initially, always start the device at level 1. Subsequently, you can switch over to level 2 or 3, if required.



No.	Designation	Meaning
8	Transmitter	Sends signals to the device.
9	Power button	For switching the device on and off
10	P2 button	To select heating capacity level 2 (2000 W)
11	P3 button	To select heating capacity level 3 (3000 W)
12	P1 button	To select heating capacity level 1 (1000 W)

Setting the heating level

- Set the on/off switch (2) on the device to I.
 - ⇒ The operating light (1) flashes red.
 - ⇒ The device is now in standby mode.
- Press the power button (9) on the remote control.
 - ⇒ The operating light (1) is illuminated in green.
 - ⇒ The device is switched on, but does not heat yet.

IR 2050

- Press the corresponding button (10, 11, 12) to set the desired heating level.
 - ⇒ During operation the operating light (1) is permanently illuminated in green.
 - ⇒ The device heats.

IR 3050

- Press the P1 button (12) to switch the device on at level 1.
 - ⇒ During operation the operating light (1) is permanently illuminated in green.
 - ⇒ The device heats.
- To set a higher heating capacity press either the P2 button (10) or the P3 button (11).

Switching the device on

Once you have completely installed the device as described in the Start-up chapter, you can switch it on.

Shutdown



Warning of electrical voltage

Do not touch the mains plug with wet or damp hands.



Info

If you switch off the device via the remote control, the device will be set to standby mode. If standby operation is not required, you can switch the device off via the on/off switch (2).

- Switch off the device by pressing the Power button (9) on the remote control. Then set the on/off switch (2) on the device to 0. The operating light flashes red.
- Allow the device to cool down completely.
- Hold onto the mains plug while pulling the power cable out of the mains socket.
- Clean the device according to the Maintenance chapter.
- Store the device according to the Storage chapter.

Available accessories



Warning

Only use accessories and additional equipment specified in the operating manual. Using insertion tools or accessories other than those specified in the operating manual may cause a risk of injury.

Designation	Article number
remote control IR 2050	7.140.000.575
remote control IR 3050	7.140.000.042

Errors and faults



Warning of electrical voltage

Tasks which require the housing to be opened must only be carried out by authorised specialist companies or by Trotec.

The device has been checked for proper functioning several times during production. If malfunctions occur nonetheless, check the device according to the following list.

The device does not start:

- Check the power connection.
- Check the power cable and mains plug for damages.
- Check the on-site fusing.
- Wait for 10 minutes before restarting the device. If the device is not starting, have the electricians checked by a specialist company or by Trotec.

The device does not emit heat:

- The heating rod might be defective. Have a defective heating rod replaced by a specialist electrical company.
- Check the on/off switch. If the on/off switch is set to the 0 position, the device is switched off.

Switch the device on.

- Check the operating light. If the operating light flashes red, the device is running in standby mode.

Switch on the device by selecting a heating level via the remote control.

RCD or another fuse trips:

- Check the fuse. Switch off any other devices to reduce the load on the line.
- Contact a specialist electrical company.

The device slightly vibrates during switch-on and then stops vibrating:

- Slight vibrations during switch-on are a normal process. No measures are required.

The device does not respond to the infrared remote control:

- Check whether the distance between remote control and device is too large and reduce it if necessary.
- Make sure there are no obstacles, such as furniture or walls, between the device and the remote control. Ensure visual contact between device and remote control.
- Check the charging status of the batteries and change them if required.
- If the batteries have just been changed, check them for correct polarity.

Note

Wait for at least 3 minutes after maintenance and repair work. Only then switch the device back on.

Your device still does not operate correctly after these checks?

Please contact the customer service. If necessary, bring the device to an authorised specialist electrical company or to Trotec for repair.

Maintenance

Activities required before starting maintenance



Warning of electrical voltage

Do not touch the mains plug with wet or damp hands.

- Switch the device off.
- Hold onto the mains plug while pulling the power cable out of the mains socket.
- Allow the device to cool down completely.



Warning of electrical voltage

Tasks which require the housing to be opened must only be carried out by authorised specialist companies or by Trotec.

Cleaning the device



Warning of electrical voltage

Never immerse the device in water!



Warning of hot surface

Do not touch the reflector or the heating rods with bare hands.

Clean the device with a soft, damp and lint-free cloth. Ensure that no moisture enters the housing. Protect electrical components from moisture. Do not use any aggressive cleaning agents such as cleaning sprays, solvents, alcohol-based or abrasive cleaners to dampen the cloth.

Wipe the housing dry after cleaning.

Dirt on the heating rods should be removed with a long brush with soft bristles.

Technical annex

Technical data

Parameter	Value	
Model	IR 2050	IR 3050
Heating capacity	750 / 1500 / 2000 W	1000 / 2000 / 3000 W
Power supply	220–240 V ~ 50/60 Hz	220–240 V ~ 50/60 Hz
Plug type	CEE 7/7	CEE 7/7
Protection class	IP65	IP65
Dimensions (depth x width x height)	165 x 630 x 105 mm	165 x 960 x 105 mm
Minimum distance to walls and other objects:		
	top: 50 cm	50 cm
	bottom: 180 cm	180 cm
	sides: 50 cm	50 cm
	front: 50 cm	50 cm
Weight	2 kg	3 kg

Disposal



The icon with the crossed-out waste bin on waste electrical or electronic equipment stipulates that this equipment must not be disposed of with the household waste at the end of its life. You will find collection points for free return of waste electrical and electronic equipment in your vicinity. The addresses can be obtained from your municipality or local administration. For further return options provided by us please refer to our website <https://de.trotec.com/shop/>.

The separate collection of waste electrical and electronic equipment aims to enable the re-use, recycling and other forms of recovery of waste equipment as well as to prevent negative effects for the environment and human health caused by the disposal of hazardous substances potentially contained in the equipment.



In the European Union, batteries and accumulators must not be treated as domestic waste, but must be disposed of professionally in accordance with Directive 2006/66/EC of the European Parliament and of the Council of 6 September 2006 on batteries and accumulators. Please dispose of batteries and accumulators according to the relevant legal requirements.

Trotec GmbH

Grebener Str. 7
D-52525 Heinsberg

☎ +49 2452 962-400

☎ +49 2452 962-200

✉ info@trotec.com

www.trotec.com