



JUICER

Succhi di ultima freschezza



USER MANUAL

Model: MI-HA-JCS01-BSS

USER MANUAL: MAGNANI – JUICER

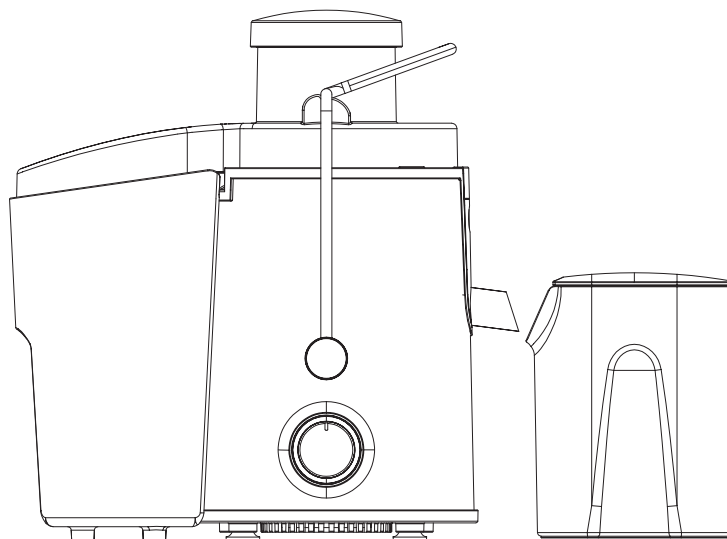
MODEL: MI-HA-JCS01-BSS

TABLE OF CONTENT

- 1) Package contents
- 2) Safety instructions
- 3) Installing and using the product
- 4) Cleaning and maintenance
- 5) Specifications
- 6) Storage & transportation

1) PACKAGE CONTENTS

- Juicer
- 500 ml juice container
- Fruit pulp / vegetable mash container
- User manual



2) SAFETY INSTRUCTIONS

The following precautions must always be taken in consideration before using the “Juicer”, hereinafter referred to as the ‘device’.

General information

- Read the instructions for use carefully and keep them safe. If you give this device to other people, please also pass on this manual.
- Only use this device in accordance with the instructions in this user manual.
- This device can be used by children aged 8 and over and people with restricted physical, sensory or mental capacity or a lack of experience and expertise, provided they are under supervision or have been given instructions about safely using the device and are aware of the potential hazards. Children must not play with the device. Cleaning and maintenance must not be done by children unless they are over the age of 8 and under supervision.
- Keep the device and power cord out of the reach of children below the age of 8 years.
- This device is intended for domestic or similar use, not for professional use.



- **WARNING!** Do not leave packaging material lying around carelessly. This may become dangerous playing material for children. **Risk of suffocation!**

Electricity and heat

- Prior to use, check that the mains voltage is the same as the mains voltage stated on the name plate of the device.
- Make sure your hands are dry before touching the device, power cord or plug.
- Plug the power plug into an electrical outlet that is easily accessible at all times.



- **WARNING!** Never cover the power plug, cable, electric base or device with cloths, curtains or any other material in order to prevent overheating and potential fire hazards.
- Make sure that the device and power cable do not come into contact with heat sources, like a hot hob or naked flame.

• The device must be able to dispel its heat in order to prevent the risk of fire. Therefore, make sure the device has sufficient free space around it (at least 20 cm on all sides) and do not place the device against and/or on or near combustible materials.



• **WARNING!** The device must not be covered, in order to prevent overheating and potential fire hazards.

- Check the power cord regularly for damage.
- Never use the device if the power cord shows signs of damage, if the device has fallen on the ground or shows any other signs of damage.
- Switch OFF the device and remove the power plug if you discover any faults during use, find any signs of damage, are not using the device or are cleaning it.
- Make sure the power cord cannot be trodden on or pinched.
- Do not allow the power cord to hang over sharp edges and keep it away from hot objects and naked flames.
- When plugging in the power plug, make sure people cannot accidentally pull it out or trip over it.
- Never move the device by pulling the power cord and make sure the power cord cannot become entangled.
- Remove the power plug from the power socket during lightning storms or if unused for long periods of time.
- When removing the plug from the power socket, pull the plug itself, not the cable.
- Do not operate the device using an external time switch or a separate remote control system.
- Use a 10 amp cable if an extension cable is required. Cables with a lower amp rating may burn out.
- When using an extension cable, make sure it is completely extended.



• **WARNING!** To reduce the risk of fire or electric shock, protect the device from dripping or splashing water and keep away from objects filled with liquids, such as vases. Such objects should not be placed on or near the device.

Use

- Do not use the device in the vicinity of flammable materials.
- This device is not a toy and should be kept under strict supervision to prevent children from using the device as a toy.
- **Do not leave the device unattended when it is connected to the main power!**
- Do not allow children to clean or maintain this device unsupervised.
- Never allow children to use domestic appliances as toys or without supervision. Children are unable to judge the hazards associated with incorrectly using electric appliances.
- Children in the vicinity of the device must always be supervised by an adult.
- Always ensure the device is properly assembled before use.
- Place the device on a flat, stable surface, in a place where it cannot fall over.
- The device is equipped with anti-slip feet. The surfaces of furniture have all kinds of paint and plastic finishes that are treated with various maintenance products. As a result, it cannot be completely ruled out that some of these substances contain ingredients that affect the rubber and soften the feet. If necessary, put an anti-slip mat under the device.
- Do not lean on the device.
- Maintain a clearance of at least 20 cm around the device. This prevents damage from heat.
- Remove the power plug from the mains power before;
 - Fitting or removing accessories
 - Cleaning the device



• **WARNING!** Before installing or releasing accessories, switch off the device, wait until the motor has stopped and unplug the device from the electrical outlet.

- Do not use any other accessories with the device.
- Never use the device when it is empty (without ingredients).
- Do not use the device for the preparation of solid foods, this can damage the device.
- Do not use the device for anything other than soft fruits and vegetables.
- Under no circumstance should you open the lid on the device during operation.
- Do not use spatulas and other utensils during operation of the device as this can damaged the device or cause injuries.
- **Do not put your fingers, hands, or any other body parts in the device when operating the device.**



• **WARNING!** Cutting danger. The rasps of the device are very sharp. Place the lid on the device when operating the device and secure the lid by placing the handle over the lid bulge. The rasps of the device can cause serious injuries to body parts!

- Always have the device under supervision when in use, so that you are able to react immediately in case of danger.



• **WARNING!** The C.O. (Continuous Operation) is 1 minute. The C.O. specifies how long the device may be used without the motor overheating and getting damaged. When the C.O. time has been reached, the device must be switched off, and remain switched off until the motor has cooled down.

- The device is equipped with overheating protection. When the device is overheated, the motor will stop automatically. Unplug the power cable from the mains power and wait 30 minutes to allow the motor to cool down.

- Do not use the device if it has fallen on the ground or shows any other signs of damage.



• **WARNING!** This device is **NOT** intended to be used in humid indoor locations.

- Always keep the device clean, as it comes into direct contact with food.
- All parts of this device that come into contact with food are food safe.
- Clean the device thoroughly after use (see “cleaning and maintenance”).
- When in use and when stored, do not place anything other on top of the device.
- Avoid locations subject to vibrations, cold or humidity.
- Do not expose the device to direct sunlight, heat sources, excessive humidity or corrosive environments.
- Do not place the device under any mechanical stress.
- Improper use of the device could damage the product.
- Please handle the device carefully. Impacts or falls, even from a low height, can damage the device.
- Do not open the casing as this may result in electric shock.
- Do not attempt to disassemble or repair the device or modify it in any manner.
- The device must be serviced if it has been damaged in any way, i.e. the power supply cord/plug is damaged; liquid has been spilled; objects have fallen into it; it has been exposed to rain or moisture; it has been dropped or does not operate properly.
- Do not use abrasive cleaning solvents to clean the device.
- Do not steam clean the device.
- Do not use foreign objects to clean the device.



Important information, follow these instructions

- This device can be used by children aged 8 and over and people with restricted physical, sensory or mental capacity or a lack of experience and expertise, provided they are under supervision or have been given instructions about safely using the device and are aware of the potential hazards. Children must not play with the device. Cleaning and maintenance must not be done by children unless they are over the age of 8 and under supervision.



• **WARNING! Cutting danger. The rasps of the device are very sharp. Place the lid on the device when operating the device and secure the lid by placing the handle over the lid bulge. The rasps of the device can cause serious injuries to body parts!**

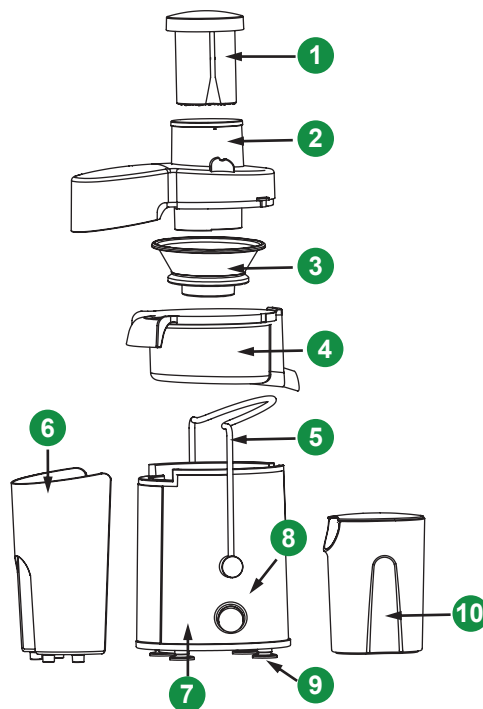
- Only use the device indoors, in dry areas and not in the vicinity of water, other liquids or humidity.
- Do not use the device if it, the cable or power plug has fallen into water or any kind of fluid.
- Never immerse the device, cable and power plug in water or any kind of fluid.
- Do not pick up the device if it has fallen into water or any kind of fluid. Remove the plug from the power socket immediately. Do not use the device again.
- Parts of the device can become hot. Do not touch these parts to avoid burning yourself.

3) INSTALLING AND USING THE DEVICE

Open the packaging carefully before taking out the device. Make sure the device, power cord, plug and accessories are complete and undamaged. If any components are missing or damaged, contact the vendor and do not use the product. Retain the packaging or recycle it in accordance with local regulations.

Parts & features of the device

- 1 Food presser
- 2 Lid with loading shaft
- 3 Grate filter net
- 4 Middle ring
- 5 Handle
- 6 Pulp / mash container
- 7 Juicer base
- 8 Control knob
- 9 Anti-slip feet
- 10 Juice container



First use

- Remove the device and accessories from the box. Remove any stickers, protective film or plastic from the device.
- Before you use the device for the first time, clean the base 7 with a damp cloth.
- Clean the food presser 1, lid with loading shaft 2, grate filter net 3, middle ring 4, pulp / mash container 6 and juice container 10 in warm water and washing-up liquid. After cleaning, rinse them with tap water. **Do not clean the juicer base 7 in water or any other liquid.**
- Thoroughly dry the device and accessories.
- Never use aggressive or abrasive cleaning materials, a scouring sponge or steel wool; these damage the device.
- Before connecting the device to the mains power, make sure the control knob 8 is in the “0” position and mount the accessories on the juicer base 7.
- Connect the device to the mains power.
- **NOTE!** When using the device for the first time, a slight odour might occur, this is normal. The odour will disappear after a few minutes. Ensure adequate ventilation.

Power ON/OFF

- Before connecting the device to the mains power, make sure that the accessories are securely mounted on the juicer base 7 and the control knob 8 is in the “0” position.
- Switch off the device by setting the control knob 8 to the “0” position.
- When finished using the device, remove the power plug from the mains power.

Using the device

- Before each use, make sure the device is clean and dry.



• **WARNING! Before installing or removing the accessories of the device, make sure the rotating parts have reached standstill, and the power plug has been removed from the mains power!**

- Before connecting the device to the mains power, make sure that the accessories are securely mounted on the juicer base 7 and the control knob 8 is in the “0” position.
- When mounting the accessories, make sure the handle 5 of the juicer base 7 is tilted forward. Then place the middle ring 4 on the juicer base 7, mount the grate filter net 3 onto the middle ring 4 and push the grate filter net onto the juicer base.
- Place the lid with loading shaft 2 onto the middle ring (grate filter net placed on juicer base). Tilt the handle 5 up and place the handle over the lid with loading shaft 2, until the handle is secured on the bulges of the lid with loading shaft.
- **NOTE! The device will only operate when the handle is correctly placed and secured on the bulges of the lid with loading shaft.**



• **WARNING!** The motor of the device will automatically switch off when the handle of the juicer base

is tilted forward. Do not forget to set the control knob to the “0” position, otherwise the motor will switch on automatically when the handle is placed back on the bulges of the lid with loading shaft.

- During operation, place the device on a flat, stable surface, in a place where it cannot fall over.
- The device is equipped with anti-slip feet **9**. These ensure that the device is placed more stably and securely on a flat surface (such as a kitchen worktop, table, etc.), so it cannot slip or tip over due to vibrations when in use.
- The device is intended for making juice of soft fruits and vegetables.
- The device is not intended for:
 - o Hard components of food, such as: nuts, kernels, large grains or stems.
 - o Materials that are not food.
- **WARNING!** Cutting danger. The rasps of the grate filter net **3** are very sharp. Place the lid with loading shaft **2** on the device when operating the device and secure the lid by placing the handle **5** over the lid bulges. The rasps of the device can cause serious injuries to body parts!
- Fill the ingredients in the loading shaft of the lid **2**. Cut large ingredients into pieces of maximum 5 cm before processing them. Allow hot ingredients to cool down before processing them (maximum temperature of 60 °C)
- Use only the food presser **1** to gently push the fruit or vegetables through the loading shaft.



• **WARNING!** Use only the food presser to push the fruit or vegetables through the loading shaft. Do not use any body parts or kitchen utensils to push the fruit or vegetables through the loading shaft, this could damage the device or cause injuries.

- The middle ring **4** is equipped with a pulp / mash overflow on top and a juice outlet on the bottom. Place the pulp / mash container **6** under the pulp/mash overflow of the middle ring. Place the juice container (10) under the juice outlet.
- Turn the control knob **8** counter clockwise to speed position “1” or speed position “2”.
 - o Speed position “1”: is for weak grating of fruit and vegetables.
 - o Speed position “2”: is for strong grating of fruit and vegetables.



• **WARNING!** Once the juice container is filled to the 500 ml indicator or after 3 juice operations of 1

minute, turn the control knob **8** clockwise to speed position “0” to allow it to cool down for 1 minute. After 3x operation, allow the device to cool down for 15 minutes to prevent the motor from overheating and getting damaged.

- Caution: Raisins are not suitable for juicing as they contain too little juice. Rhubarb or other fibrous vegetables/fruits are not suitable for juicing as the fibres block the grater filter net **3**.
- To avoid fruit or vegetables becoming blocked in the loading shaft **2**, only fill it when the device is switched on. Should fruit or vegetable pieces become stuck in the loading shaft, and they cannot be promptly fed through with the food presser **1**, switch off the device and remove the power plug from the mains power. Follow the further instructions at “cleaning and maintenance”
- To avoid blockage of the juice outlet, regularly clean the juice outlet and pulp / mash outlet after each use.



• **WARNING!** Wait until the device is stopped, make sure the rotating parts have reached standstill, remove the power plug from the mains power.

- Release the handle **5** from the bulges of the lid with loading shaft **2** and tilt the handle forward. Take the lid with loading shaft **2** off the middle ring **4**. Take the grate filter net **3** off the juicer base **7**. Scoop the fruit pulp or vegetable mash out of the grate filter net into the pulp / mash container **6**. Take the middle ring (4) off the juicer base **7** and scoop the fruit pulp or vegetable mash out of the middle ring into the pulp / mash container **6**, empty the pulp / puree container in the trash or on a compost heap. Shake the collected juice from the juice container **10** into a glass or cup and enjoy fresh homemade juice.

4) CLEANING AND MAINTENANCE

- Clean the device after each use, as it comes into direct contact with food.
- Remove the plug from the mains power and allow the device to cool down fully (± 15 minutes).
- **Never immerse the juicer base **7** in water or any other liquid.**
- **Never steam clean the device.**
- Clean the juicer base **7** and power cable with a damp cloth.
- Clean the food presser **1**, lid with loading shaft **2**, grate filter net **3**, middle ring **4**, pulp / mash container **6** and juice container **10** in warm water and washing-up liquid. Do not clean the juicer base **7** in water or any other liquid. After cleaning rinse them with tap water.
- **WARNING!** Cutting danger. It is advised to clean the grate filter net **3** under running water, as the rasps of the grate filter net **3** are very sharp!

- Never use aggressive or abrasive cleaning materials, a scouring sponge or steel wool; these damage the device.
- Do not clean the device and accessories in the dishwasher.
- Thoroughly dry the device and accessories.
- Store the device in a dry place.

5) SPECIFICATIONS

- Voltage input: 220 - 240 V~, 50/60 Hz, Class II
- Power: 400 W
- Cable length: 120 cm
- Weight: 2.47 kg
- Dimensions without juice container: 38.5 x 26.5 x 19.5 cm (H x W x D)
- Dimensions with juice container: 38.5 x 36 x 19.5 cm (H x W x D)

6) STORAGE & TRANSPORTATION

- When storing the device, it should first be cleaned in accordance with this user manual. The device should be stored in its original packaging.
- Always store the device in a dry and well-ventilated room and beyond the reach of children.
- Protect the device against vibrations and shocks during transport.

All contents and specifications mentioned in this manual are subject to change without prior notice.

INSTRUCTIONS FOR PROTECTING THE ENVIRONMENT

(WEEE, the waste electrical and electronic equipment directive)



Your product has been manufactured using high quality materials and components which can be recycled and used again. At the end of its life span, this product cannot be disposed of in normal domestic waste, but must be taken to a special collection point for recycling electrical and electronic equipment. This is indicated in the user manual and in the packaging by the waste container marked with a cross symbol. Used raw materials are suitable for recycling.

By recycling used appliances or raw materials, you are playing an important role in protecting our environment. You can ask your local council about the location of your nearest collection point.



GEBRUIKSHANDLEIDING: MAGNANI – SAPCENTRIFUGE

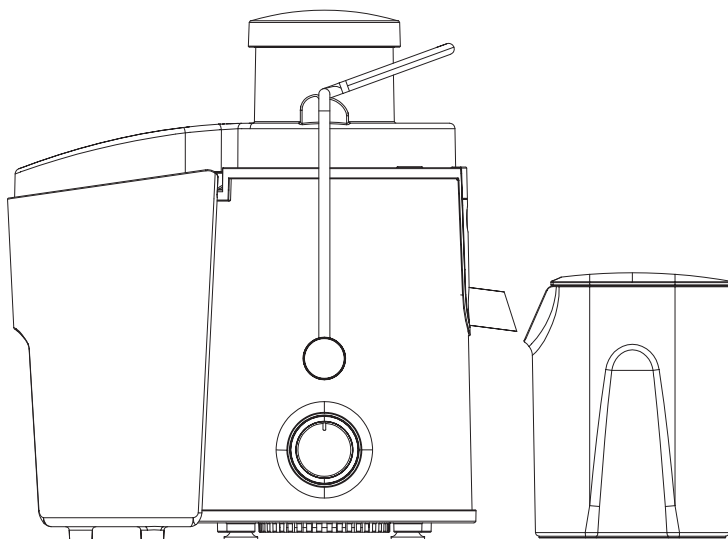
MODEL: MI-HA-JCS01-BSS

INHOUDSOPGAVE

- 1) Inhoud verpakking
- 2) Veiligheidsinstructies
- 3) Installatie en gebruik van het product
- 4) Reiniging en onderhoud
- 5) Specificaties
- 6) Opslag en transport

1) INHOUD VERPAKKING

- Sapcentrifuge
- Sapkan van 500 ml
- Pulpbak
- Gebruikershandleiding



2) VEILIGHEIDSINSTRUCTIES

Neem altijd de volgende voorzorgsmaatregelen in acht wanneer u gebruik maakt van de 'Sapcentrifuge', hierna te noemen het 'apparaat'.

Algemene informatie

- Lees de gebruiksaanwijzingen zorgvuldig en bewaar ze op een veilige plek. Als u dit apparaat aan iemand anders geeft, geef deze handleiding daar dan bij.
- Gebruik dit apparaat uitsluitend volgens de instructies in deze gebruikershandleiding.
- Dit apparaat mag worden gebruikt door kinderen van 8 jaar en ouder, personen met beperkte fysieke, zintuigelijke of mentale vermogens of personen met gebrek aan ervaring en kennis, mits ze in de gaten worden gehouden of instructies hebben gekregen over het veilige gebruik van het apparaat en zich bewust zijn van de mogelijke gevaren ervan. Laat kinderen nooit met het apparaat spelen. Reiniging en onderhoud dienen niet te worden uitgevoerd door kinderen, tenzij ze ouder zijn dan 8 en onder toezicht staan van een volwassene.
- Dit apparaat is uitsluitend bedoeld voor huishoudelijke doeleinden of vergelijkbaar gebruik, niet voor professioneel gebruik.



- **WAARSCHUWING!** Laat verpakkingsmateriaal niet onbeheerd rondslingeren. Het kan gevaar opleveren wanneer kinderen ermee spelen. **Kans op verstikking!**

Elektriciteit en warmte

- Controleer vóór gebruik of de netspanning gelijk is aan de spanning vermeld op het typeplaatje van het apparaat.
- Zorg ervoor dat uw handen droog zijn voordat u het apparaat, het stroomsnoer of de stekker aanraakt.
- Steek de stekker in een stopcontact dat op elk moment gemakkelijk bereikbaar is.



- **WAARSCHUWING!** Bedek de stekker, het stroomsnoer, het elektrische onderstel of het apparaat nooit met doeken, gordijnen of enig ander materiaal om oververhitting en mogelijk zelfs brand te voorkomen.

- Zorg ervoor dat het apparaat en het stroomsnoer niet in aanraking komen met hittebronnen, zoals een hete kookplaat of open vuur.

- Het apparaat moet zijn warmte kwijt kunnen om brandgevaar te voorkomen. Zorg er daarom voor dat het apparaat wordt omringd door voldoende vrije ruimte (ten minste 20 cm aan alle kanten) en dat u het apparaat niet tegen en/of op brandbare materialen plaatst.



• **WAARSCHUWING!** Om oververhitting en brandgevaar te voorkomen, mag het apparaat niet worden afgedekt.

- Controleer het stroomsnoer regelmatig op beschadigingen.
- Gebruik het apparaat niet als het snoer of de stekker beschadigingen vertoont of als het apparaat op de grond is gevallen of andere sporen van schade vertoont.
- Schakel het apparaat uit en haal de stekker uit het stopcontact als u tijdens het gebruik fouten ontdekt, tekenen van beschadiging aantreft, het apparaat niet gebruikt of het schoonmaakt.
- Zorg ervoor dat niemand op het stroomsnoer kan gaan staan of dat het snoer anderszins beklemd kan raken.
- Laat het stroomsnoer niet over scherpe randen hangen en houd het uit de buurt van hete voorwerpen en open vuur.
- Wanneer u de stekker in het stopcontact steekt, moet u ervoor zorgen dat anderen deze niet per ongeluk los kunnen trekken of over het stroomsnoer kunnen struikelen.
- Verplaats het apparaat nooit door aan het stroomsnoer te trekken en zorg dat het stroomsnoer niet in de knoop kan raken.
- Haal de stekker uit het stopcontact als het onweert of als u het apparaat gedurende langere tijd niet gebruikt.
- Als u de stekker uit het stopcontact trekt, moet u aan de stekker zelf trekken en niet aan het snoer.
- Gebruik het apparaat niet met een externe tijdschakelaar of een afzonderlijke afstandsbediening.
- Gebruik een snoer van 10 ampère als er een verlengsnoer nodig is. Snoeren met een lager amperage kunnen doorbranden.
- Wanneer u een verlengsnoer gebruikt, rol dit dan volledig uit.



• **WAARSCHUWING!** Om de kans op brand of een elektrische schok te verminderen moet u het apparaat beschermen tegen druppelend of opspattend water en uit de buurt houden van vochtige omgevingen en met water gevulde voorwerpen, zoals vazen. Dergelijke voorwerpen mogen niet op of in de buurt van het apparaat worden geplaatst.

Gebruik

- Gebruik het apparaat niet in de buurt van brandbare materialen.
- Dit apparaat is geen speelgoed. Houd kinderen altijd in de gaten om te voorkomen dat ze met het apparaat spelen.
- **Laat het apparaat nooit onbeheerd achter als de stekker in het stopcontact steekt.**
- Laat kinderen dit apparaat niet zonder toezicht schoonmaken of onderhouden.
- Zorg ervoor dat kinderen nooit gaan spelen met huishoudelijke apparatuur; houd altijd toezicht. Kinderen zijn niet in staat de gevaren te beoordelen die gepaard gaan met onjuist gebruik van elektrische apparaten.
- Kinderen in de buurt van het apparaat moeten altijd door een volwassene in de gaten worden gehouden.
- Zorg er altijd voor dat het apparaat goed in elkaar is gezet voordat u het gebruikt.
- Plaats het apparaat op een stabiele en vlakke ondergrond, op een plek waar het niet kan omvallen.
- Het apparaat is uitgerust met antislipvoetjes. Meubels zijn voorzien van allerlei soorten verf en plastic afwerkingen die zijn behandeld met verschillende onderhoudsproducten. Daarom kan niet volledig worden uitgesloten dat sommige van deze materialen bestanddelen bevatten die het rubber aantasten en de voetjes zachter maken. Leg indien nodig een antislipmat onder het apparaat.
- Leun niet op het apparaat.
- Houd minimaal 20 cm vrije ruimte rondom het apparaat. Dit voorkomt schade als gevolg van hitte.
- Trek de stekker uit het stopcontact voordat u:
 - o accessoires aanbrengt of verwijdert;
 - o het apparaat schoonmaakt.



• **WAARSCHUWING!** Voordat u accessoires aanbrengt of verwijdert, moet u het apparaat uitzetten, wachten totdat de motor is gestopt en de stekker uit het stopcontact halen.

- Gebruik geen andere accessoires met het apparaat.
- Gebruik het apparaat nooit als het leeg is (zonder ingrediënten).
- Gebruik het apparaat niet voor het bereiden van vast voedsel. Hierdoor kan het apparaat beschadigd raken.
- Gebruik uitsluitend zacht fruit en zachte groenten in het apparaat.
- Maak het deksel van het apparaat nooit open als het apparaat in werking is.
- Gebruik geen spatels en andere hulpstukken tijdens het gebruik van het apparaat, omdat het apparaat hierdoor beschadigd kan raken of verwondingen kan veroorzaken.
- **Steek uw vingers, handen of andere lichaamsdelen niet in het apparaat terwijl het in werking is.**



• **WAARSCHUWING!** Snijgevaar. De raspens van het apparaat zijn zeer scherp. Plaats het deksel op het

apparaat wanneer u het apparaat gebruikt en zet het deksel vast door de handgreep over de uitstulpingen van het deksel te plaatsen. De raspen van het apparaat kunnen zware verwondingen aan lichaamsdelen veroorzaken!

- Blijf altijd bij het apparaat als het in werking is, zodat u snel kunt reageren bij gevaar.
- **WAARSCHUWING!** De werkingsduur bij continubedrijf is 1 minuut. De werkingsduur bij continubedrijf geeft aan hoelang het apparaat kan worden gebruikt zonder dat de motor oververhit raakt en beschadigd raakt. Na deze werkingsduur moet het apparaat worden uitgezet en mag het apparaat pas weer worden gebruikt als de motor is afgekoeld.
- Het apparaat is uitgerust met een oververhittingsbeveiliging. Als het apparaat oververhit raakt, stopt de motor automatisch. Haal de stekker uit het stopcontact en laat de motor 30 minuten afkoelen.
- Gebruik het apparaat niet als het op de grond is gevallen of andere tekenen van schade vertoont.



• **WAARSCHUWING!** Dit apparaat is **NIET** bedoeld voor gebruik in vochtige ruimtes binnenshuis.

- Houd het apparaat altijd schoon, aangezien het in direct contact komt met voedsel.
- Alle onderdelen van het apparaat die in aanraking komen met voedsel, zijn voedselveilig.
- Maak het apparaat na gebruik grondig schoon (zie 'Reiniging en onderhoud').
- Plaats tijdens gebruik en opslag niets op het apparaat.
- Vermijd locaties die blootstaan aan trillingen, vrieskou of vochtigheid.
- Bescherm het apparaat tegen direct zonlicht, warmtebronnen, overmatige vochtigheid en corrosieve omgevingen.
- Zorg ervoor dat het apparaat niet wordt blootgesteld aan enige mechanische belasting.
- Het apparaat kan beschadigd raken als het verkeerd wordt gebruikt.
- Ga voorzichtig met het apparaat om. Het apparaat kan beschadigd raken door een stoot of val, zelfs van een geringe hoogte.
- Open de behuizing niet. Als u dit wel doet, loopt u kans op een elektrische schok.
- Probeer het apparaat niet te demonteren, te repareren of anderszins aan te passen.
- Het apparaat moet worden gerepareerd als er sprake is van enige vorm van schade, wanneer bijvoorbeeld het stroomsnoer of de stekker is beschadigd, er vloeistof op het apparaat is gemorst, voorwerpen op het apparaat zijn gevallen, het apparaat is blootgesteld aan regen of vocht, het apparaat is gevallen of het apparaat niet normaal functioneert.
- Gebruik geen schurende schoonmaakmiddelen om het apparaat te reinigen.
- Maak het apparaat niet schoon met stoom.
- Gebruik geen vreemde voorwerpen om het apparaat schoon te maken.



Belangrijke informatie – volg deze instructies op

• Dit apparaat mag worden gebruikt door kinderen van 8 jaar en ouder, personen met beperkte fysieke, zintuigelijke of mentale vermogens of personen met gebrek aan ervaring en kennis, mits ze in de gaten worden gehouden of instructies hebben gekregen over het veilige gebruik van het apparaat en zich bewust zijn van de mogelijke gevaren ervan. Laat kinderen nooit met het apparaat spelen. Reiniging en onderhoud dienen niet te worden uitgevoerd door kinderen, tenzij ze ouder zijn dan 8 en onder toezicht staan van een volwassene.



• **WAARSCHUWING! Snijgevaar. De raspen van het apparaat zijn zeer scherp. Plaats het deksel op het apparaat wanneer u het apparaat gebruikt en zet het deksel vast door de handgreep over de uitstulpingen van het deksel te plaatsen. De raspen van het apparaat kunnen zware verwondingen aan lichaamsdelen veroorzaken!**

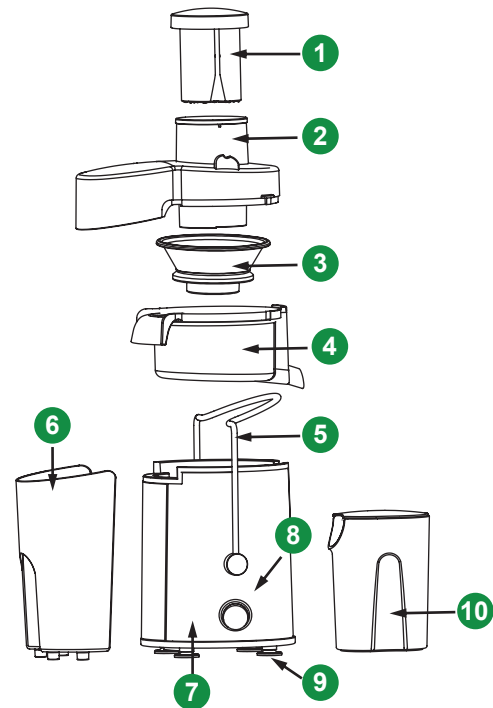
- Kans op beknelling en kans op letsel door de bewegende delen (deeghaken en gardes) van het apparaat. Raak deze onderdelen niet aan met vingers of andere lichaamsdelen wanneer het apparaat in gebruik is en houd minimaal 30 cm afstand om te voorkomen dat lang haar, losse kleding, spatels of andere hulpstukken etc. vast komen te zitten.
- Gebruik het apparaat uitsluitend binnenshuis, in droge gebieden en niet in de buurt van water, andere vloeistoffen of vocht.
- Gebruik het apparaat niet als het apparaat, het stroomsnoer of de stekker in water of een andere vloeistof is gevallen.
- Dompel het apparaat, het snoer of de stekker nooit onder in water of een andere vloeistof.
- Pak het apparaat niet op als het in het water of een andere vloeistof is gevallen. Trek onmiddellijk de stekker uit het stopcontact. Gebruik het apparaat niet meer.
- Onderdelen van het apparaat kunnen heet worden. Raak deze niet aan om te voorkomen dat u zich verbrandt.

3) INSTALLATIE EN GEBRUIK VAN HET APPARAAT

Open de verpakking voorzichtig en haal het apparaat eruit. Controleer of het apparaat, het stroomsnoer, de stekker en de accessoires compleet en niet beschadigd zijn. Mochten er onderdelen beschadigd zijn of ontbreken, neem dan contact op met de verkoper en gebruik het product niet. Bewaar de verpakking of recycle deze zoals voorgeschreven door lokale regelgeving.

Onderdelen en functies van het apparaat

- 1 Stopper
- 2 Deksel met vultrechter
- 3 Rasfilter
- 4 Middenring
- 5 Handgreep
- 6 Pulpbak
- 7 Voet van de sapcentrifuge
- 8 Bedieningsknop
- 9 Antislippootjes
- 10 Sapkan



Eerste gebruik

- Haal het apparaat en de accessoires uit de doos. Verwijder eventuele stickers, beschermfolie of plastic van het apparaat.
- Voordat u het apparaat voor het eerst gebruikt, moet u de voet 7 schoonmaken met een vochtige doek.
- Maak de stopper 1, het deksel met de vultrechter 2, het rasfilter 3, de middenring 4, de pulpbak 6 en de sapkan 10 schoon in warm water met wat afwasmiddel. Spoel de onderdelen daarna af met kraanwater. **Maak de voet van de sapcentrifuge 7 niet schoon in water of een andere vloeistof.**
- Droog het apparaat en de accessoires goed af.
- Gebruik nooit agressieve of schurende schoonmaakmiddelen, een schuurspons of staalwol. Deze kunnen het apparaat beschadigen.
- Zorg dat de bedieningsknop 8 op 0 staat en dat de accessoires op de voet van de sapcentrifuge 7 zijn aangebracht voordat u de stekker in het stopcontact steekt.
- Sluit het apparaat aan op de netvoeding.
- **LET OP!** Als u het apparaat voor de eerste keer gebruikt, kan er wat geur vrijkomen. Dit is normaal. De geur verdwijnt na een paar minuten. Zorg voor voldoende ventilatie.

AAN/UIT-knop

- Zorg dat de accessoires goed op de voet van de sapcentrifuge 7 zijn aangebracht en dat de bedieningsknop 8 op 0 staat voordat u de stekker in het stopcontact steekt.
- Zet het apparaat uit door de bedieningsknop 8 op 0 te zetten.
- Trek na gebruik de stekker uit het stopcontact.

Gebruik van het apparaat

- Zorg vóór elk gebruik dat het apparaat schoon en droog is.



• WAARSCHUWING! Voordat u accessoires aanbrengt of verwijdert, moet u ervoor zorgen dat de draaiende onderdelen stil staan en dat de stekker uit het stopcontact is gehaald!

- Zorg dat de accessoires goed op de voet van de sapcentrifuge 7 zijn aangebracht en dat de bedieningsknop 8 op 0 staat voordat u de stekker in het stopcontact steekt.
- Zorg dat de handgreep 5 van de voet van de sapcentrifuge 7 naar voren is gekanteld als u accessoires aanbrengt. Plaats vervolgens de middenring 4 op de voet van de sapcentrifuge 7, plaats het rasfilter 3 op de middenring 4 en duw het rasfilter op de voet van de sapcentrifuge.
- Plaats het deksel met de vultrechter 2 op de middenring (met het rasfilter op de voet van de sapcentrifuge).

Kantel de handgreep ⑤ omhoog en plaats deze over het deksel met de vultrechter ②, totdat de handgreep vastklemt op de uitstulpingen van het deksel met de vultrechter.

• **LET OP! Het apparaat werkt alleen als de handgreep goed vastklemt op de uitstulpingen van het deksel met de vultrechter.**

• **WAARSCHUWING!** De motor van het apparaat gaat automatisch uit als de handgreep van de sapcentrifuge naar voren wordt gekanteld. Vergeet niet om de bedieningsknop naar 0 te draaien, anders gaat de motor automatisch aan als de handgreep weer op de uitstulpingen van het deksel met de vultrechter wordt geklemd.

• Plaats het apparaat tijdens het gebruik op een stabiele en vlakke ondergrond, op een plek waar het niet kan omvallen.

• Het apparaat is uitgerust met antislipvoetjes ⑨. Hierdoor staat het apparaat stabiel en steviger op een vlakke ondergrond (zoals een aanrecht, een tafel etc.), zodat het niet verschuift of omvalt door de trillingen van het apparaat als het in werking is.

• Het apparaat is bedoeld voor het maken van sap van zacht fruit en zachte groenten.

• Het apparaat is niet bedoeld voor:

- o harde etenswaren, zoals noten, pitten, grote korrels of stengels;
- o niet-eetbare materialen.



• **WAARSCHUWING!** Snijgevaar. De raspfen van het raspfilter ③ zijn zeer scherp. Plaats het deksel met de vultrechter ② op het apparaat wanneer u het apparaat gebruikt en zet het deksel vast door de handgreep ⑤ over de uitstulpingen van het deksel te plaatsen. De raspfen van het apparaat kunnen zware verwondingen aan lichaamsdelen veroorzaken!

• Doe de ingrediënten in de vultrechter van het deksel ②. Snijd grote ingrediënten in stukken van maximaal 5 cm voordat u ze verwerkt. Laat hete ingrediënten eerst afkoelen voordat u ze verwerkt (maximumtemperatuur: 60 °C).

• Gebruik de stopper ① om fruit en groenten voorzichtig door de vultrechter te duwen.



• **WAARSCHUWING!** Gebruik de stopper om fruit en groenten voorzichtig door de vultrechter te duwen. Gebruik geen lichaamsdelen of keukengerei om fruit en groenten door de vultrechter te duwen. Dit kan leiden tot beschadigingen aan het apparaat of verwondingen.

• De middenring ④ is voorzien van een pulpoverloop aan de bovenkant en een sapuitlaat aan de onderkant.

Plaats de pulpbak ⑥ onder de pulpoverloop van de middenring. Plaats de sapkan ⑩ onder de sapuitlaat.

• Draai de bedieningsknop ⑧ tegen de klok in naar stand 1 of 2.

o Stand 1: is voor het licht raspen van groente en fruit.

o Stand 2: is voor het krachtig raspen van groente en fruit.



• **WAARSCHUWING!** Zodra de sapkan gevuld is tot aan de 500 ml-indicator of nadat u het apparaat drie keer 1 minuut hebt laten werken, draait u de bedieningsknop ⑧ met de klok mee naar stand 0 om het apparaat 1 minuut te laten afkoelen. Laat het apparaat 15 minuten afkoelen nadat u het apparaat drie keer hebt laten werken om te voorkomen dat de motor oververhit raakt en hierdoor beschadigd raakt.

• Voorzichtig: Rozijnen zijn niet geschikt om sap van te maken, omdat deze te weinig sap bevatten. Rabarber en andere vezelrijke groente- en fruitsoorten zijn niet geschikt om sap van te maken, omdat de vezels het raspfilter ③ blokkeren.

• Doe alleen groente of fruit in de vultrechter ② als het apparaat is ingeschakeld om te voorkomen dat ingrediënten vast komen te zitten in de vultrechter. Als er stukken groente of fruit vast komen te zitten in de vultrechter en u ze niet door kunt duwen met de stopper ①, schakel het apparaat dan uit en haal de stekker uit het stopcontact. Volg de verdere instructies onder het kopje "Reiniging en onderhoud".

• Maak de sapuitlaat en de pulpoverloop na elk gebruik schoon om te voorkomen dat de sapuitlaat verstopt raakt.



• **WAARSCHUWING!** Wacht tot het apparaat is gestopt, zorg dat de draaiende onderdelen stil staan en haal de stekker uit het stopcontact.

• Haal de handgreep ⑤ van de uitstulpingen van het deksel met de vultrechter ② en kantel de handgreep naar voren. Haal het deksel met de vultrechter ② van de middenring ④. Haal het raspfilter ③ van de voet van de sapcentrifuge ⑦. Schep de pulp uit het raspfilter in de pulpbak ⑥. Haal de middenring ④ van de voet van de sapcentrifuge ⑦ en schep de pulp uit de middenring in de pulpbak ⑥. Leeg de pulpbak in de groencontainer of op een composthoop. Schenk het sap uit de sapkan ⑩ in een glas of beker en geniet van uw zelfgemaakte sap.

4) REINIGING EN ONDERHOUD

• Maak het apparaat na elk gebruik schoon, aangezien het in direct contact komt met voedsel.

• Haal de stekker uit het stopcontact en laat het apparaat volledig afkoelen (ca. 15 minuten).

- **Dompel de voet van de sapcentrifuge 7 nooit onder in water of een andere vloeistof.**
- **Maak het apparaat nooit schoon met stoom.**
- Maak de voet van de sapcentrifuge 7 en het stroomsnoer schoon met een vochtige doek.
- Maak de stopper 1, het deksel met de vultrechter 2, het raspfilter 3, de middenring 4, de pulpbak 6 en de sapkan 10 schoon in warm water met wat afwasmiddel. Maak de voet van de sapcentrifuge 7 niet schoon in water of een andere vloeistof. Spoel de onderdelen daarna af met kraanwater.
- **WAARSCHUWING!** Snijgevaar. Het wordt aangeraden het raspfilter 3 schoon te maken onder stromend water, omdat de raspen van het raspfilter 3 zeer scherp zijn!
- Gebruik nooit agressieve of schurende schoonmaakmiddelen, een schuurspons of staalwol. Deze kunnen het apparaat beschadigen.
- Maak het apparaat en de accessoires niet schoon in de vaatwasser.
- Droog het apparaat en de accessoires goed af.
- Berg het apparaat op een droge plaats op.

5) SPECIFICATIES

- Invoerspanning: 220-240 V~, 50/60 Hz, klasse II
- Voeding: 400 W
- Kabellengte: 120 cm
- Gewicht: 2,47 kg
- Afmetingen zonder sapkan: 38,5 x 26,5 x 19,5 cm (H x B x D)
- Afmetingen met sapkan: 38,5 x 36 x 19,5 cm (H x B x D)

6) OPSLAG EN TRANSPORT

- Voordat u het apparaat opbergt, moet u het eerst reinigen zoals beschreven in deze gebruikershandleiding. Bewaar het apparaat in de oorspronkelijke verpakking.
- Berg het apparaat altijd op in een droge, goed geventileerde ruimte, buiten bereik van kinderen.
- Bescherm het apparaat tijdens transport tegen trillingen en schokken.

Alle in deze handleiding vermelde informatie en specificaties kunnen zonder voorafgaande kennisgeving worden gewijzigd.

MILIEUVOORSCHRIFTEN

(AEEA, de richtlijn voor afgedankte elektrische en elektronische apparatuur)



Dit product is vervaardigd van kwalitatief hoogwaardige materialen en onderdelen die gerecycled en opnieuw gebruikt kunnen worden. Na afloop van zijn levensduur mag dit product niet worden meegegeven met het huishoudelijk afval. Het moet naar een speciaal inzamelpunt worden gebracht voor het recyclen van elektrische en elektronische apparatuur. Dit wordt in de handleiding en op de verpakking weergegeven door de afvalcontainer met een kruis erdoor. De gebruikte grondstoffen kunnen worden gerecycled.

Door gebruikte apparatuur of grondstoffen te recyclen, levert u een belangrijke bijdrage aan het beschermen van het milieu. Informeer bij uw gemeente waar het dichtstbijzijnde inzamelpunt is.

MANUEL D'UTILISATION : MAGNANI – EXTRACTEUR DE JUS

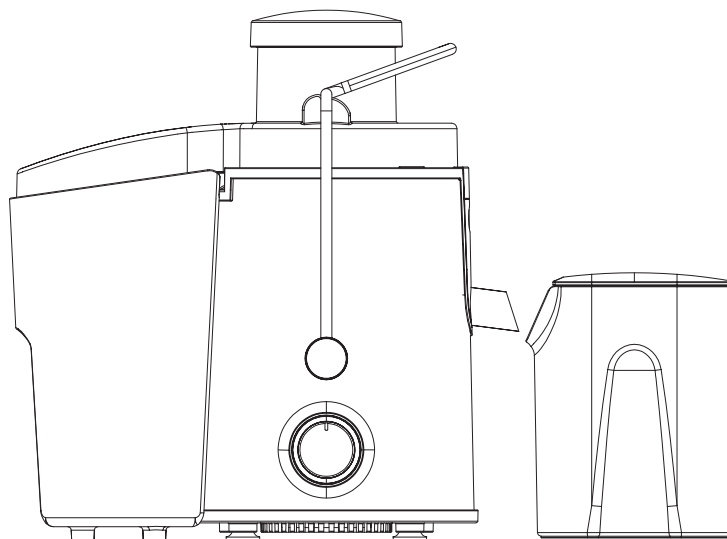
MODEL: MI-HA-JCS01-BSS

SOMMAIRE

- 1) Contenu du paquet
- 2) Consignes de sécurité
- 3) Installation et utilisation du produit
- 4) Nettoyage et maintenance
- 5) Spécifications
- 6) Entreposage et transport

1) CONTENU DU PAQUET

- Extracteur de jus
- Réservoir à jus 500 ml
- Réservoir à pulpe de fruits/purée de légumes
- Manuel d'utilisation



2) INSTRUCTIONS DE SÉCURITÉ

Les précautions suivantes doivent toujours être observées avant l'utilisation du « Extracteur de jus », appelé par la suite « l'appareil ».

Informations générales

- Lire attentivement le manuel d'utilisation et bien le conserver. Si cet appareil est remis à une autre personne, lui remettre aussi ce manuel d'utilisation.
- Utiliser cet appareil uniquement comme décrit dans ce manuel d'utilisation.
- Cet appareil peut être utilisé par les enfants de 8 ans et plus, par les personnes dont les capacités physiques, sensorielles ou mentales sont limitées, par ceux qui manquent d'expérience et de connaissances, à condition que ces enfants ou personnes soient surveillés ou qu'ils aient reçu les instructions nécessaires pour utiliser l'appareil en toute sécurité et qu'ils soient conscients des risques possibles. Les enfants ne doivent pas jouer avec l'appareil. Le nettoyage et la maintenance ne doivent pas être effectués par des enfants, à moins qu'ils aient plus de 8 ans et qu'ils soient sous la surveillance d'un adulte.
- Maintenez l'appareil et le câble d'alimentation hors de portée des enfants de moins de 8 ans.
- Cet appareil est destiné à un usage domestique ou similaire, et pas à un usage professionnel.



- **AVERTISSEMENT !** Ne pas laisser traîner le matériel d'emballage. Celui-ci pourrait être dangereux pour les jeux d'enfants. **Risque de suffocation !**

Électricité et chaleur

- Avant l'utilisation, vérifier si la tension secteur est identique à la tension secteur indiquée sur l'appareil.
- Assurez-vous d'avoir les mains sèches avant de toucher l'appareil, le câble d'alimentation ou la fiche.
- Branchez la fiche sur une prise de courant facilement accessible à tout moment.



- **AVERTISSEMENT !** Ne recouvrez jamais la fiche, le câble d'alimentation, la station de base électrique ou l'appareil de tissus, rideaux ou autres matières, pour éviter la surchauffe et les éventuels risques d'incendie.
- Assurez-vous que l'appareil et le câble d'alimentation n'entrent pas en contact avec des sources de chaleur telles qu'une plaque de cuisson brûlante ou une flamme nue.
- L'appareil doit pouvoir laisser échapper sa chaleur pour éviter les risques d'incendie. Assurez-vous donc qu'il y ait toujours assez d'espace libre autour de l'appareil (au moins 20 cm de tous les côtés) et ne placez pas l'appareil contre, sur ou à proximité de matériaux combustibles.



• **AVERTISSEMENT !** L'appareil ne doit pas être recouvert afin d'éviter la surchauffe et les risques d'incendie.

- Contrôlez régulièrement si le câble d'alimentation n'est pas endommagé.
- N'utilisez jamais l'appareil si le câble d'alimentation est endommagé, si l'appareil est tombé par terre ou s'il présente d'autres dommages.
- Éteignez l'appareil et retirez la fiche de la prise de courant si vous constatez des défauts ou des dommages pendant l'utilisation, si l'appareil n'est pas utilisé ou lorsqu'il est nettoyé.
- Assurez-vous que le câble d'alimentation ne peut pas être piétiné ou coincé.
- Ne laissez pas pendre le câble d'alimentation sur des bords tranchants, et maintenez-le éloigné d'objets chauds et de flammes nues.
- Lorsque la fiche est branchée, faites attention à ce que personne ne puisse tirer accidentellement ou trébucher sur le câble.
- Ne déplacez jamais l'appareil en tirant sur le câble d'alimentation et assurez-vous que le câble d'alimentation ne puisse pas s'emmêler.
- Retirez la fiche de la prise de courant lors d'orages ou lorsque l'appareil reste inutilisé pendant de longues périodes.
- Pour retirer la fiche de la prise de courant, tirez sur la fiche et pas sur le câble.
- Ne faites pas fonctionner l'appareil en utilisant une minuterie externe ou un système de télécommande séparé.
- Si une rallonge est nécessaire, utilisez un câble 10 ampères. Les câbles à ampérage inférieur peuvent griller.
- Lorsqu'une rallonge est utilisée, celle-ci doit être entièrement déroulée.



• **AVERTISSEMENT !** Pour réduire le risque d'incendie ou de choc électrique, protéger l'appareil contre les ruissellements ou éclaboussures d'eau et les endroits humides et le tenir à l'écart d'objets remplis de liquides, tels que des vases. De tels objets ne doivent pas être placés sur l'appareil ou à proximité.

Utilisation

- N'utilisez pas l'appareil à proximité de matières inflammables.
- Cet appareil n'est pas un jouet et doit être surveillé pour éviter que les enfants l'utilisent comme un jouet.
- **Ne laissez pas l'appareil sans surveillance lorsqu'il est connecté au secteur !**
- Ne permettez pas à des enfants sans surveillance de nettoyer ou d'entretenir cet appareil.
- Ne permettez jamais à des enfants d'utiliser des appareils domestiques en guise de jouet sans surveillance. Les enfants ne peuvent pas estimer les risques liés à une utilisation incorrecte d'appareils électriques.
- Les enfants se trouvant à proximité de l'appareil doivent toujours être surveillés par un adulte.
- Assurez-vous que l'appareil soit toujours bien assemblé avant l'utilisation.
- Posez l'appareil sur une surface stable et plane, à un endroit où il ne peut pas tomber.
- L'appareil est équipé de pieds antidérapants. Les surfaces des meubles ont toutes sortes de finitions de peinture ou plastique qui sont traitées avec différents produits d'entretien. En conséquence, il ne peut pas être totalement exclu que certaines de ces substances contiennent des ingrédients qui agissent sur le caoutchouc et ramollissent les pieds. Si nécessaire, placez un tapis antidérapant sous l'appareil.
- Ne vous appuyez pas sur l'appareil.
- Assurez-vous qu'il y a au moins 20 cm d'espace libre autour de l'appareil. Vous éviterez ainsi les dégâts dus à la chaleur.
- Retirez la fiche d'alimentation de la prise de courant avant de :
 - o Mettre en place ou retirer les accessoires
 - o Nettoyer l'appareil



• **AVERTISSEMENT !** Avant d'installer ou de retirer les accessoires, éteignez l'appareil, attendez l'arrêt du moteur et débranchez l'appareil de la prise électrique.

- N'utilisez pas d'autres accessoires que ceux fournis avec l'appareil.
- N'utilisez jamais l'appareil lorsque celui-ci est vide (sans ingrédients).
- N'utilisez pas l'appareil pour la préparation d'aliments solides ; ceci peut endommager l'appareil.
- N'utilisez pas l'appareil pour autre chose que des fruits et légumes mous.
- Vous ne devez en aucune circonstance ouvrir le couvercle de l'appareil pendant le fonctionnement.
- N'utilisez pas de spatules et autres ustensiles pendant le fonctionnement de l'appareil car cela pourrait endommager l'appareil ou causer des blessures.
- **Ne placez pas vos doigts, mains, ou toute autre partie du corps dans l'appareil pendant le fonctionnement de l'appareil.**



• **AVERTISSEMENT !** Risque de coupure. Les râpes de l'appareil sont extrêmement tranchantes.

Placez le couvercle sur l'appareil pendant le fonctionnement de l'appareil et verrouillez-le à l'aide du bras de verrouillage. Les râpes de l'appareil peuvent causer de graves blessures corporelles !

- Maintenez toujours l'appareil sous surveillance lorsque vous l'utilisez, afin d'être en mesure de réagir immédiatement en cas de danger.



• **AVERTISSEMENT !** Le fonctionnement continu est d'1 minute. Le fonctionnement continu spécifie la durée pendant laquelle l'appareil peut être utilisé sans surchauffe du moteur et sans dommages. Lorsque la durée du fonctionnement continu est atteinte, l'appareil doit être éteint et il doit rester hors tension jusqu'à ce que le moteur ait refroidi.

- L'appareil est équipé d'une protection contre la surchauffe. Lorsque l'appareil surchauffe, le moteur s'arrête automatiquement. Débranchez le câble d'alimentation de la prise de courant et attendez 30 minutes pour permettre au moteur de refroidir.
- N'utilisez pas l'appareil s'il est tombé sur le sol ou s'il présente tout autre signe de dommage.



• **AVERTISSEMENT !** Cet appareil n'est **PAS** destiné à être utilisé dans des endroits humides en intérieur.

- Tenez l'appareil propre puisqu'il entre en contact direct avec la nourriture.
- Toutes les parties de cet appareil qui entrent en contact avec des aliments respectent les règles de sécurité alimentaire.
- Après l'utilisation, nettoyez méticuleusement l'appareil (voir « Nettoyage et maintenance »).
- En cours d'utilisation et pendant l'entreposage, ne placez rien d'autre sur l'appareil.
- Évitez les endroits soumis à des vibrations, le froid ou l'humidité.
- N'exposez pas l'appareil à la lumière directe du soleil, des sources de chaleur, une humidité excessive ou un milieu corrosif.
- N'exposez pas l'appareil à des contraintes mécaniques.
- Une utilisation inappropriée de l'appareil pourrait l'endommager.
- Manipulez l'appareil avec précaution. Tout choc ou chute, même de faible hauteur, peut endommager l'appareil.
- N'ouvrez pas le boîtier car cela pourrait provoquer un choc électrique.
- N'essayez pas de démonter ou de réparer l'appareil, ou de le modifier de quelque manière que ce soit.
- L'appareil doit être révisé s'il a été endommagé de quelque manière que ce soit, par exemple si le cordon d'alimentation/la fiche est endommagé ; si un liquide a été renversé ; si des objets sont tombés dans l'appareil ; s'il a été exposé à la pluie ou à l'humidité; s'il est tombé ou s'il ne fonctionne pas correctement.
- N'utilisez pas de produits abrasifs pour nettoyer l'appareil.
- Ne nettoyez pas l'appareil à la vapeur.
- N'utilisez pas d'objets étrangers pour nettoyer l'appareil.



Informations importantes, suivre ces instructions.

- Cet appareil peut être utilisé par les enfants de 8 ans et plus, par les personnes dont les capacités physiques, sensorielles ou mentales sont limitées, par ceux qui manquent d'expérience et de connaissances, à condition qu'ils soient sous la surveillance d'un adulte ou qu'ils aient reçu les instructions nécessaires pour utiliser l'appareil en toute sécurité et qu'ils soient conscients des risques possibles. Les enfants ne doivent pas jouer avec l'appareil. Le nettoyage et la maintenance ne doivent pas être effectués par des enfants, à moins qu'ils aient plus de 8 ans et qu'ils soient sous la surveillance d'un adulte.



• **AVERTISSEMENT !** **Risque de coupure. Les râpes de l'appareil sont extrêmement tranchantes.**

Placez le couvercle sur l'appareil pendant le fonctionnement de l'appareil et verrouillez-le à l'aide du bras de verrouillage. Les râpes de l'appareil peuvent causer de graves blessures corporelles !

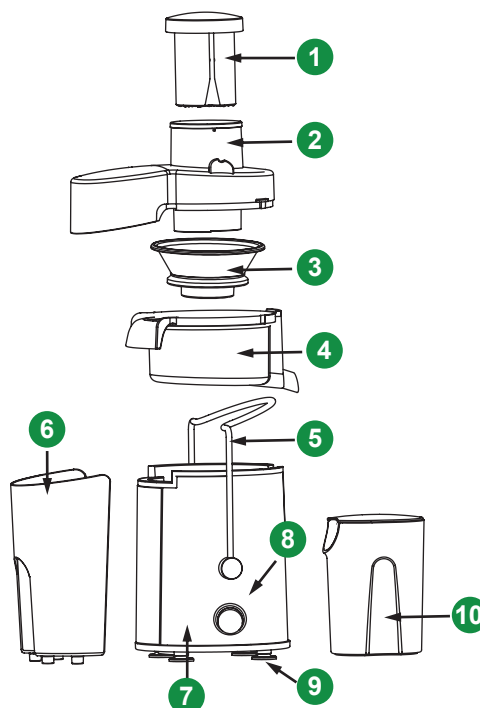
- Utilisez l'appareil uniquement à l'intérieur, dans des endroits secs et pas à proximité d'eau, autres liquides ou humidité.
- N'utilisez pas l'appareil si l'appareil, le câble d'alimentation ou la fiche sont tombés à l'eau ou dans un autre liquide.
- N'immergez jamais l'appareil, le câble d'alimentation et la fiche dans de l'eau ou un autre liquide.
- Ne ramassez pas l'appareil s'il est tombé dans l'eau ou dans un autre liquide. Retirez immédiatement la fiche de la prise de courant. Ne réutilisez pas l'appareil.
- Certaines parties de l'appareil peuvent devenir très chaudes. Ne touchez pas ces parties afin d'éviter de vous brûler.

3) INSTALLATION ET UTILISATION DE L'APPAREIL

Ouvrez l'emballage avec précaution avant d'en sortir l'appareil. Assurez-vous que l'appareil, le câble d'alimentation, la fiche d'alimentation et les accessoires sont complets et intacts. S'il y a des composants qui manquent ou qui sont endommagés, contactez le fournisseur et n'utilisez pas le produit. Conservez l'emballage ou recyclez-le conformément aux réglementations locales.

Parties et fonctions de l'appareil

- ① Poussoir aliments
- ② Couvercle avec goulot de remplissage
- ③ Tamis/filtre
- ④ Compartiment du milieu
- ⑤ Bras de verrouillage
- ⑥ Réservoir à pulpe/purée
- ⑦ Socle de l'appareil
- ⑧ Bouton de commande
- ⑨ Pieds antidérapants
- ⑩ Réservoir à jus



Première utilisation

- Sortez l'appareil et les accessoires de la boîte. Retirez tout autocollant, film de protection ou plastique de l'appareil.
- Avant d'utiliser l'appareil pour la première fois, nettoyez le socle de l'appareil ⑦ à l'aide d'un chiffon humide.
- Nettoyez le poussoir ①, couvercle avec goulot de remplissage ②, tamis/filtre ③, compartiment du milieu ④, réservoir à pulpe/purée ⑥ et réservoir à jus ⑩ dans de l'eau chaude avec un liquide vaisselle. Après le nettoyage, rincez-les sous le robinet. **Ne nettoyez pas le socle de l'appareil ⑦ dans de l'eau ou tout autre liquide.**
- Séchez méticuleusement l'appareil et les accessoires.
- N'utilisez jamais de produits de nettoyage agressifs ou abrasifs, une éponge à récurer ou de la paille de fer ; cela endommage l'appareil.
- Avant de connecter l'appareil à la prise de courant, assurez-vous que le bouton de commande ⑧ se trouve en position « 0 » et installez les accessoires sur le socle de l'appareil ⑦.
- Connectez l'appareil à la prise de courant.
- **REMARQUE !** Lorsque vous utilisez l'appareil pour la première fois, une odeur légère peut se dégager, ce qui est normal. L'odeur disparaîtra en quelques minutes. Assurez une bonne aération.

Interrupteur Marche/Arrêt

- Avant de connecter l'appareil à la prise de courant, assurez-vous que les accessoires sont installés de manière sécurisée sur le socle de l'appareil ⑦ et que le bouton de commande ⑧ se trouve en position « 0 ».
- Éteignez l'appareil en plaçant le bouton de commande ⑧ en position « 0 ».
- Une fois que vous avez fini d'utiliser l'appareil, débranchez la fiche d'alimentation de la prise de courant.

Utilisation de l'appareil

- Avant chaque utilisation, assurez-vous que l'appareil est propre et sec.



AVERTISSEMENT ! Avant d'installer ou de retirer les accessoires de l'appareil, assurez-vous que les éléments rotatifs se sont immobilisés et que la fiche d'alimentation a été débranchée de la prise de courant !

- Avant de connecter l'appareil à la prise de courant, assurez-vous que les accessoires sont installés de manière sécurisée sur le socle de l'appareil ⑦ et que le bouton de commande ⑧ se trouve en position « 0 ».
- Lorsque vous installez les accessoires, assurez-vous que le bras de verrouillage ⑤ du socle de l'appareil ⑦ est incliné vers l'avant. Puis placez le compartiment du milieu ④ sur le socle de l'appareil ⑦, installez le tamis/filtre ③, dans le compartiment du milieu ④ et enfoncez le tamis/filtre sur le socle de l'appareil.
- Placez le couvercle avec le goulot de remplissage ② sur le compartiment du milieu (avec le filtre/tamis) placé sur le socle de l'appareil. Relevez le bras de verrouillage ⑤ et placez-le par-dessus le couvercle avec le goulot de remplissage ②, jusqu'à ce qu'il se verrouille sur les renflements du couvercle.
- **REMARQUE ! L'appareil fonctionnera uniquement si le bras de verrouillage est correctement placé et sécurisé sur les renflements du couvercle.**
- **AVERTISSEMENT !** Le moteur de l'appareil s'arrête automatiquement lorsque le bras de verrouillage sur

le socle de l'appareil est incliné vers l'avant. N'oubliez pas de placer le bouton de commande en position « 0 », sinon le moteur va démarrer automatiquement dès que le bras de verrouillage est remis en place sur le couvercle.

- Pendant l'utilisation, placez l'appareil sur une surface stable et plane, à un endroit où il ne peut pas tomber.
- L'appareil est équipé de pieds antidérapants 9. Ceux-ci assurent une position stable et sûre de l'appareil sur une surface plane (telle qu'un plan de travail, une table, etc.), de sorte qu'il ne puisse pas glisser ou basculer en raison des vibrations durant son utilisation.
- L'appareil est conçu pour extraire des jus de fruits et légumes mous.
- L'appareil n'est pas conçu pour :
 - o Les aliments durs, tels que : fruits à coque, noyaux, gros grains ou tiges.
 - o Les matières qui ne sont pas des aliments.



• **AVERTISSEMENT !** Risque de coupure. Les râpes du filtre/tamis 3 sont extrêmement tranchantes.

Placez le couvercle avec le goulot de remplissage 2 sur l'appareil pendant le fonctionnement de l'appareil et verrouillez-le à l'aide du bras de verrouillage 5. Les râpes de l'appareil peuvent causer de graves blessures corporelles !

- Insérez les ingrédients dans le goulot de remplissage du couvercle 2. Coupez les ingrédients volumineux en morceaux d'environ 5 cm avant de les transformer. Laissez refroidir les ingrédients chauds avant d'en extraire le jus (température maximale 60 °C).
- Utilisez uniquement le poussoir 1 pour pousser doucement les fruits ou légumes à travers le goulot de remplissage.



• **AVERTISSEMENT !** Utilisez uniquement le poussoir pour pousser les fruits ou légumes à travers le goulot de remplissage. N'utilisez aucune partie du corps ou des ustensiles de cuisine pour pousser les fruits ou légumes à travers le goulot de remplissage, cela pourrait endommager l'appareil ou causer des blessures.

- Le compartiment du milieu 4 est équipé d'un tuyau d'évacuation pour la pulpe/purée sur le dessus et d'un tuyau d'évacuation pour le jus au bas. Placez le réservoir à pulpe/purée 6 sous le tuyau d'évacuation pour la pulpe/purée du compartiment du milieu. Placez le réservoir à jus 10 sous le tuyau d'évacuation pour le jus.
- Tournez le bouton de commande 8 dans le sens antihoraire en position de vitesse « 1 » ou « 2 ».
 - o La vitesse « 1 » est pour râper à faible intensité les fruits et légumes.
 - o La vitesse « 2 » est pour râper à forte intensité les fruits et légumes.



• **AVERTISSEMENT !** Une fois le réservoir à jus rempli jusqu'au niveau de 500 ml, ou après 3 opérations d'extraction de jus d'1 minute, tournez le bouton de commande 8 en position de vitesse « 0 » pour le laisser refroidir pendant 1 minute. Après 3 opérations, laissez l'appareil refroidir pendant 15 minutes pour éviter que le moteur ne surchauffe et ne soit endommagé.

- **Attention :** Les raisins secs ne sont pas appropriés pour l'extraction de jus car ils contiennent trop peu de jus. La rhubarbe ou d'autres légumes/fruits fibreux ne sont pas appropriés pour l'extraction de jus car les fibres bouchent le filtre/tamis 3.
- Pour éviter que des légumes ou fruits restent bloqués dans le goulot de remplissage 2, insérez-les uniquement lorsque l'appareil est allumé. Si des morceaux de fruits ou légumes restent bloqués dans le goulot de remplissage, et qu'ils ne peuvent pas être acheminés assez rapidement à l'aide du poussoir 1, éteignez l'appareil et retirez la fiche de la prise de courant. Suivez les instructions sous « Nettoyage et maintenance »
- Pour éviter l'obstruction du tuyau d'évacuation de jus, nettoyez régulièrement le tuyau d'évacuation de jus et le tuyau d'évacuation pour la pulpe/purée après chaque utilisation.



• **AVERTISSEMENT !** Attendez que l'appareil soit arrêté, assurez-vous que les parties rotatives soient entièrement arrêtées et retirez la fiche de la prise de courant.

- Dégagez le bras de verrouillage 5 des renflements du couvercle avec le goulot de remplissage 2 et inclinez le bras de verrouillage vers l'avant. Enlevez le couvercle avec le goulot de remplissage 2 du compartiment du milieu 4. Enlevez le tamis/filtre 3 du socle de l'appareil 7. Videz la pulpe de fruits ou purée de légumes du tamis/filtre dans le réservoir à pulpe/purée 6. Enlevez le compartiment du milieu 4 du socle de l'appareil 7 et videz la pulpe de fruits ou purée de légumes qui se trouve dans le compartiment du milieu dans le réservoir à pulpe/purée 6, puis videz le réservoir à pulpe/purée dans la poubelle ou mettez la pulpe au compost. Versez le jus collecté dans le réservoir à jus 10 dans un verre ou une tasse et dégustez votre jus frais fait maison.

4) NETTOYAGE ET MAINTENANCE

- Nettoyez l'appareil après chaque utilisation puisqu'il entre en contact direct avec la nourriture.
- Retirez la fiche de la prise de courant et laissez refroidir l'appareil complètement (± 15 minutes).
- **N'immergez jamais le socle de l'appareil 7 dans de l'eau ou tout autre liquide.**

- **Ne nettoyez jamais l'appareil à la vapeur.**
- **Nettoyez socle de l'appareil 7 et le câble d'alimentation avec un chiffon humide.**
- Nettoyez le poussoir 1, couvercle avec goulot de remplissage 2, tamis/filtre 3, compartiment du milieu 4, réservoir à pulpe/purée 6 et réservoir à jus 10 dans de l'eau chaude avec un liquide vaisselle. Ne nettoyez pas le socle de l'appareil 7 dans de l'eau ou tout autre liquide. Après le nettoyage, rincez-les sous le robinet.
- **AVERTISSEMENT ! Risque de coupure. Il est recommandé de nettoyer le tamis/filtre 3 sous le robinet, car les râpes du filtre/tamis 3 sont extrêmement tranchantes !**
- N'utilisez jamais de produits de nettoyage agressifs ou abrasifs, une éponge à récurer ou de la paille de fer ; cela endommage l'appareil.
- Ne nettoyez pas l'appareil et les accessoires au lave-vaisselle.
- Séchez méticuleusement l'appareil et les accessoires.
- Rangez l'appareil dans un endroit sec.

5) SPÉCIFICATIONS

- Tension d'entrée : 220 - 240 V~, 50/60 Hz, Classe II
- Puissance : 400 W
- Longueur de câble : 120 cm
- Poids : 2,47 kg
- Dimensions sans le réservoir à jus : 38,5 x 26,5 x 19,5 cm (H x l x P)
- Dimensions avec le réservoir à jus : 38,5 x 36 x 19,5 cm (H x l x P)

6) ENTREPOSAGE ET TRANSPORT


- Avant d'entreposer l'appareil, celui-ci doit d'abord être nettoyé comme indiqué dans ce mode d'emploi. L'appareil doit être entreposé dans son emballage d'origine.
- Entreposez toujours l'appareil dans un endroit sec et bien aéré et hors de portée des enfants.
- Protégez l'appareil contre les vibrations et les chocs pendant le transport.

L'ensemble des contenus et spécifications mentionnés dans ce manuel sont susceptibles de modifications sans avis préalable.

INSTRUCTIONS POUR LA PROTECTION DE L'ENVIRONNEMENT

(DEEE, la directive concernant les déchets d'équipements électriques et électroniques)




 Votre produit a été fabriqué en utilisant des matériaux de haute qualité et des composants qui peuvent être recyclés et réutilisés. A la fin de sa durée de vie, ce produit ne doit pas être jeté dans les ordures ménagères, mais il doit être remis à un point de collecte spécial pour le recyclage des équipements électriques et électroniques. Ceci est indiqué dans le mode d'emploi et sur l'emballage par un conteneur de déchets marqué d'un symbole de croix. Les matières premières utilisées sont appropriées pour le recyclage.

En recyclant les appareils usagés ou les matières premières, vous apportez une contribution importante à la protection de notre environnement. Informez-vous auprès de votre municipalité concernant le point de collecte le plus proche.

BEDIENUNGSANLEITUNG: MAGNANI – ENTSAFTER

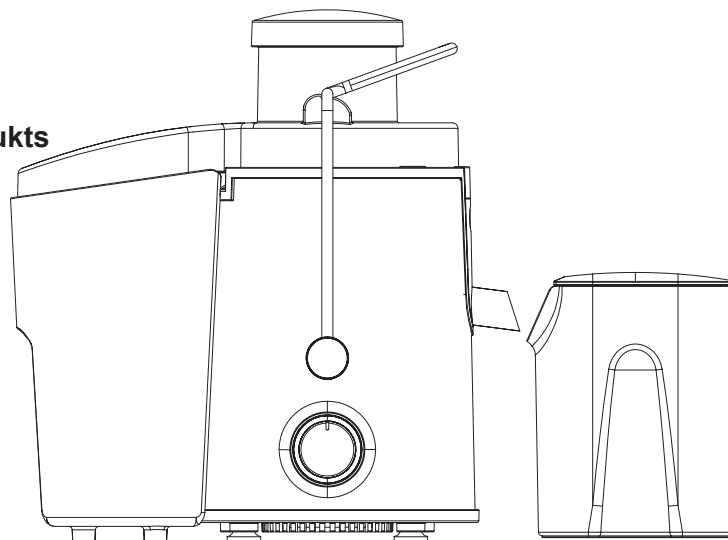
MODEL: MI-HA-JCS01-BSS

INHALTSVERZEICHNIS

- 1) Verpackungsinhalt
- 2) Sicherheitshinweise
- 3) Installation und Verwendung des Produkts
- 4) Pflege und Reinigung
- 5) Technische Daten
- 6) Lagerung und Transport

1) VERPACKUNGSINHALT

- Entsafter
- 500 ml Saftbehälter
- Fruchtfleisch-/Gemüstresterbehälter
- Bedienungsanleitung



2) SICHERHEITSAUWEISUNGEN

Vor Gebrauch der „Entsafters“, nachfolgend als „Gerät“ bezeichnet, müssen immer die folgenden Vorkehrungen getroffen werden.

Allgemeine Informationen

- Lesen Sie diese Anweisungen sorgfältig durch und bewahren Sie sicher auf. Wenn Sie dieses Gerät an andere Personen weitergeben, geben Sie bitte auch diese Bedienungsanleitung mit.
- Verwenden Sie dieses Gerät nur entsprechend der Anweisungen in dieser Bedienungsanleitung.
- Dieses Gerät kann von Kindern ab 8 Jahren und von Personen mit körperlichen, sensorischen oder mentalen Einschränkungen sowie mangelnder Erfahrung und Wissen verwendet werden, sofern sie zuvor entsprechend von einer für ihre Sicherheit verantwortlichen Person in der Verwendung des Geräts unterwiesen wurden. Kinder dürfen mit dem Gerät nicht spielen. Reinigung und Wartung dürfen nicht von Kindern unter 8 Jahren ausgeführt werden. Ab 8 Jahren müssen sie beaufsichtigt werden.
- Halten Sie das Gerät und Stromkabel von Kindern unter 8 Jahren fern.
- Das Gerät ist nur für den häuslichen oder ähnlichen Gebrauch bestimmt, nicht für die professionelle Nutzung.



- **WARNHINWEIS!** Lassen Sie kein Verpackungsmaterial achtlos herumliegen. Kinder könnten es als gefährliches Spielmaterial verwenden. **Erstickengefahr!**

Strom und Wärme

- Prüfen Sie vor dem Einsatz, ob die Netzspannung identisch mit der auf dem Typenschild des Geräts angegebenen Netzspannung ist.
- Vergewissern Sie sich, dass Ihre Hände trocken sind, bevor Sie das Gerät, Stromkabel oder Stecker berühren.
- Stecken Sie den Netzstecker in eine Steckdose, die jederzeit leicht zugänglich ist.



- **WARNHINWEIS!** Decken Sie den Netzstecker, das Kabel, die elektrische Platte oder das Gerät niemals mit Tüchern, Vorhängen oder anderem Material ab, um Überhitzung und mögliche Brandgefahr zu vermeiden.
- Achten Sie darauf, dass das Gerät und das Netzkabel nicht an Hitzequellen wie heiße Kochplatten oder offenes Feuer gelangen.
- Das Gerät muss seine Hitze ableiten können, um einer Brandgefahr vorzubeugen. Stellen Sie deshalb sicher,

dass das Gerät genügend Platz um sich herum hat (mindestens 20 cm von allen Seiten) und platzieren Sie das Gerät nicht gegen und/oder auf oder in die Nähe von brennbaren Materialien.



• **WARNHINWEIS!** Das Gerät darf nicht abgedeckt werden, um Überhitzung und mögliche Brandgefahren zu vermeiden.

- Überprüfen Sie das Netzkabel regelmäßig auf Schäden.
- Verwenden Sie das Gerät nicht, wenn das Netzkabel Anzeichen von Schäden aufweist, wenn das Gerät auf den Boden gefallen ist oder andere Anzeichen von Schäden aufweist.
- Schalten Sie das Gerät aus und ziehen Sie den Netzstecker, wenn Sie beim Gebrauch Fehler entdecken oder Beschädigungen feststellen und wenn das Gerät nicht benutzt oder gereinigt wird.
- Achten Sie darauf, dass niemand auf das Netzkabel treten oder es einklemmen kann.
- Das Netzkabel darf nicht über scharfen Kanten hängen. Halten Sie es von heißen Objekten und offenen Flammen fern.
- Beim Einstecken des Steckers darauf achten, dass er nicht versehentlich herausgezogen werden oder dass man darüber stolpern kann.
- Bewegen Sie das Gerät nie, indem Sie am Netzkabel ziehen und stellen Sie sicher, dass das Netzkabel sich nicht verfangen kann.
- Ziehen Sie den Netzadapter bei Gewitter oder längerer Nichtbenutzung aus der Steckdose.
- Ziehen Sie beim Entfernen des Steckers aus der Steckdose am Stecker, nicht am Kabel.
- Betreiben Sie das Gerät nicht mit einer externen Zeitschaltuhr oder einer separaten Fernbedienung.
- Verwenden Sie falls nötig ein 10-Ampere-Verlängerungskabel. Kabel mit weniger Ampere können durchbrennen.
- Bei Verwendung eines Verlängerungskabels dieses ganz ausrollen.



• **WARNHINWEIS!** Um das Risiko von Brand oder Stromschlag zu reduzieren, muss das Gerät vor Wassertropfen oder Wasserspritzern und feuchten Umgebungen geschützt werden. Halten Sie es von Objekten, die mit Flüssigkeiten gefüllt sind (wie Vasen) fern. Solche Gegenstände sollten nicht auf das Gerät oder in dessen Nähe gestellt werden.

Verwendung

- Verwenden Sie das Gerät nicht in der Nähe von brennbaren Materialien.
- Dieses Gerät ist kein Spielzeug und sollte unter strenger Aufsicht gehalten werden, um zu verhindern, dass Kinder das Gerät als Spielzeug benutzen.
- **Lassen Sie das Gerät niemals unbeaufsichtigt, wenn es an den Strom angeschlossen ist!**
- Kinder dürfen dieses Gerät nicht ohne Aufsicht reinigen oder pflegen.
- Kinder dürfen niemals Haushaltsgeräte als Spielzeug oder ohne Aufsicht verwenden. Kinder können Gefahren, die von einer falschen Benutzung elektrischer Geräte ausgehen, nicht einschätzen.
- Kinder, die sich in der Nähe des Gerätes aufhalten, müssen stets von einem Erwachsenen beaufsichtigt werden.
- Achten Sie vor der Verwendung immer darauf, dass das Gerät richtig zusammengesetzt ist.
- Stellen Sie das Gerät auf eine flache, stabile Oberfläche, an einem Ort, wo es nicht umfallen kann.
- Das Gerät verfügt über rutschfeste Füße. Die Oberflächen von Möbeln werden mit allen Arten von Farben und Kunststoffen veredelt, die mit verschiedenen Pflegeprodukten behandelt werden. Folglich kann nicht vollkommen ausgeschlossen werden, dass einige dieser Materialien Bestandteile enthalten, die das Gummi beeinträchtigen und die Füße weicher machen. Legen Sie notfalls eine rutschfeste Matte unter das Gerät.
- Lehnen Sie sich nicht auf das Gerät.
- Lassen Sie einen Freiraum von mindestens 20 m um das Gerät herum. Dies verhindert durch Hitze verursachte Schäden.
- Ziehen Sie dann den Netzstecker aus der Steckdose vor dem
 - o Anbringen oder Entfernen von Zubehör.
 - o Reinigung des Geräts



• **WARNHINWEIS!** Vor dem Aufsetzen oder Abnehmen von Zubehör schalten Sie das Gerät aus, warten Sie, bis der Motor aufgehört hat und ziehen Sie das Gerät aus der Steckdose.

- Verwenden Sie keine anderen Zubehörteile mit dem Gerät.
- Verwenden Sie das Gerät nie, wenn es leer ist (ohne Zutaten).
- Verwenden Sie das Gerät nicht zur Zubereitung von festen Lebensmitteln, da dies das Gerät beschädigen kann.
- Verwenden Sie das Gerät ausschließlich für weiches Obst und Gemüse.
- Auf keinen Fall sollten Sie den Deckel des Geräts öffnen, wenn es in Betrieb ist.
- Verwenden Sie keine Spatel oder andere Utensilien während des Betriebs dieses Geräts, da dies das Gerät beschädigen oder zu Verletzungen führen kann.

- **Stecken Sie nicht Ihre Finger, Hände oder andere Körperteile in das Gerät, wenn Sie es benutzen.**



- **WARNHINWEIS!** Schnittgefahr. Die Raspeln des Geräts sind sehr scharf. Setzen Sie den Deckel auf das Gerät, wenn Sie es benutzen und sichern Sie den Deckel, indem Sie den Griff über die Deckelausbuchtung platzieren. Die Raspeln des Geräts können zu ernsthaften Verletzungen von Körperteilen führen!
- Überwachen Sie das Gerät immer, wenn Sie es benutzen, damit Sie bei Gefahr sofort reagieren können.



- **WARNHINWEIS!** Die C. O. (Continuous Operation = kontinuierlicher Betrieb) beträgt 1 Minute. Die C. O. gibt an, wie lange das Gerät benutzt werden kann, ohne dass der Motor überhitzt und beschädigt wird. Wenn die C.O.-Zeit erreicht wurde, muss das Gerät ausgeschaltet werden und ausgeschaltet bleiben, bis der Motor sich abgekühlt hat.
- Das Gerät verfügt über Überhitzungsschutz. Wenn das Gerät überhitzt ist, wird sich der Motor automatisch ausschalten. Ziehen Sie das Netzkabel aus der Steckdose und warten Sie 30 Minuten, um den Motor abkühlen zu lassen.
- Verwenden Sie das Gerät nicht, wenn es auf den Boden gefallen ist oder irgendwelche anderen Schäden aufweist.



- **WARNHINWEIS!** Dieses Gerät sollte **NICHT** in feuchten Innenräumen verwendet werden.
- Halten Sie das Gerät immer sauber, da es direkten Kontakt mit Lebensmitteln hat.
- Alle Teile dieses Geräts, die mit Lebensmitteln in Kontakt kommen, sind lebensmittelsicher.
- Machen Sie das Gerät nach dem Gebrauch gründlich sauber (siehe „Wartung und Reinigung“).
- Wenn es benutzt oder gelagert wird, legen Sie nichts oben auf das Gerät.
- Vermeiden Sie Orte mit Vibrationen, Kälte oder Feuchtigkeit.
- Setzen Sie das Gerät nicht dem direkten Sonnenlicht, Wärmequellen, übermäßiger Feuchtigkeit oder korrosiven Umgebungen aus.
- Setzen Sie das Gerät keiner mechanischen Beanspruchung aus.
- Eine missbräuchliche Verwendung kann das Produkt beschädigen.
- Bitte gehen Sie vorsichtig mit dem Gerät um. Aufpralle oder Stürze, selbst aus geringer Höhe, können das Gerät beschädigen.
- Öffnen Sie das Gehäuse nicht, da dies zu einem Stromschlag führen kann.
- Das Gerät sollte nicht demontiert, repariert oder auf irgendeine Art und Weise verändert werden.
- Das Gerät muss bei jeglicher Beschädigung professionell repariert werden, z. B. bei beschädigtem Netzkabel, verschütteter Flüssigkeit, wenn Objekte in das Gerät gefallen sind, es Regen oder Feuchtigkeit ausgesetzt war, es fallengelassen wurde oder nicht normal funktioniert.
- Verwenden Sie zur Reinigung des Geräts keine scheuernden Reinigungsmittel.
- Reinigen Sie das Gerät nicht mit einem Dampfreiniger.
- Reinigen Sie das Gerät nicht mit Fremdkörpern.



Wichtige Information, folgen Sie diesen Anweisungen

- Dieses Gerät kann von Kindern ab 8 Jahren und von Personen mit körperlichen, sensorischen oder mentalen Einschränkungen sowie mangelnder Erfahrung und Wissen verwendet werden, sofern sie zuvor entsprechend von einer für ihre Sicherheit verantwortlichen Person in der Verwendung des Geräts unterwiesen wurden. Kinder dürfen mit dem Gerät nicht spielen. Reinigung und Wartung dürfen nicht von Kindern unter 8 Jahren ausgeführt werden.



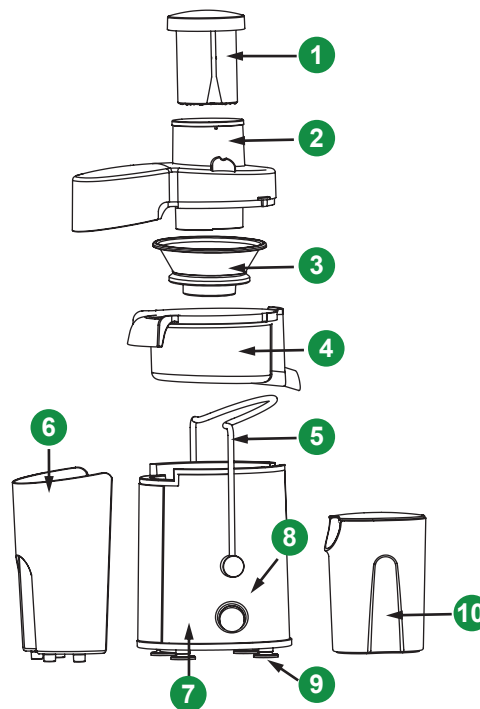
- **WARNHINWEIS!** Schnittgefahr. Die Raspeln des Geräts sind sehr scharf. Setzen Sie den Deckel auf das Gerät, wenn Sie es benutzen und sichern Sie den Deckel, indem Sie den Griff über die Deckelausbuchtung platzieren. Die Raspeln des Geräts können zu ernsthaften Verletzungen von Körperteilen führen!
- Verwenden Sie das Gerät nur in Innenräumen, in trockenen Bereichen und nicht in der Nähe von Wasser, anderen Flüssigkeiten oder Feuchtigkeit.
- Das Gerät nicht verwenden, wenn das Kabel oder der Stecker in Wasser oder andere Flüssigkeiten gefallen ist.
- Tauchen Sie das Gerät, das Kabel und den Netzstecker niemals in Wasser oder andere Flüssigkeiten.
- Das Gerät nicht hochnehmen, wenn es in Wasser oder andere Flüssigkeiten gefallen ist. Ziehen Sie sofort den Stecker aus der Steckdose. Das Gerät nicht mehr benutzen.
- Teile des Geräts können heiß werden. Berühren Sie diese Teile nicht, um Verbrennungen zu vermeiden.

3) INSTALLATION UND VERWENDUNG DES GERÄTS

Öffnen Sie die Verpackung vorsichtig, bevor Sie das Gerät herausnehmen. Stellen Sie sicher, dass das Gerät, das Netzkabel, der Stecker und die Zubehörteile komplett und unbeschädigt sind. Sollten Teile fehlen oder beschädigt sein, kontaktieren Sie den Lieferanten und verwenden Sie das Produkt nicht. Die Verpackung sollte aufbewahrt oder in Übereinstimmung mit den örtlichen Vorschriften recycelt werden.

Teile und Merkmale des Geräts

- 1 Lebensmittelstopfer
- 2 Deckel mit Einfüllschacht
- 3 Entsaftersieb
- 4 Mittelring
- 5 Handgriff
- 6 Fruchtfleisch-/Tresterbehälter
- 7 Entsafter-Basisgerät
- 8 Bedienknopf
- 9 Rutschfeste Füße
- 10 Saftbehälter



Erste Verwendung

- Nehmen Sie das Gerät und das Zubehör aus dem Karton. Entfernen Sie alle Aufkleber, Schutzfolien oder Kunststoff vom Gerät.
- Vor dem ersten Gebrauch des Geräts muss das Basisgerät **7** mit einem feuchten Tuch abgewischt werden.
- Reinigen Sie Lebensmittelstopfer **1**, Deckel mit Einfüllschacht **2**, Entsaftersieb **3**, Mittelring **4**, Fruchtfleisch-/Tresterbehälter **6** und Saftbehälter **10** in warmem Wasser und Geschirrspülmittel. Spülen Sie alles nach der Reinigung mit Leitungswasser ab. **Reinigen Sie das Entsafter-Basisgerät **7** nicht in Wasser oder in einer anderen Flüssigkeit.**
- Trocknen Sie das Gerät und die Zubehörteile gründlich ab.
- Verwenden Sie niemals aggressive oder scheuernde Reinigungsmittel, Scheuerschwamm oder Stahlwolle; dies beschädigt das Gerät.
- Stellen Sie vor dem Anschluss des Geräts an das Stromnetz sicher, dass der Bedienknopf **8** auf der Position „0“ steht und befestigen Sie die Zubehörteile auf dem Entsafter-Basisgerät **7**.
- Schließen Sie das Gerät an das Stromnetz an.
- **HINWEIS!** Wenn Sie das Gerät zum ersten Mal verwenden, kann ein leichter Geruch auftreten, was ganz normal ist. Der Geruch wird nach einigen Minuten verschwinden. Sorgen Sie für ausreichende Belüftung.

Ein-/Ausschalter

- Bevor Sie das Gerät an das Stromnetz anschließen, stellen Sie sicher, dass die Zubehörteile sicher am Entsafter-Basisgerät **7** befestigt sind und der Bedienknopf **8** auf der Position „0“ steht.
- Schalten Sie das Gerät aus, indem Sie den Bedienknopf **8** auf die Position „0“ stellen.
- Wenn Sie die Benutzung des Geräts beendet haben, ziehen Sie den Netzstecker aus der Steckdose.

Benutzung des Geräts

- Stellen Sie vor der Verwendung sicher, dass das Gerät sauber und trocken ist.



• WARNHINWEIS! Bevor Sie die Zubehörteile des Geräts aufsetzen oder abnehmen, stellen Sie sicher, dass die rotierenden Teile sich nicht mehr bewegen und der Netzstecker aus der Steckdose gezogen wurde!

- Bevor Sie das Gerät an das Stromnetz anschließen, stellen Sie sicher, dass die Zubehörteile sicher am Entsafter-Basisgerät **7** befestigt sind und der Bedienknopf **8** auf der Position „0“ steht.
- Stellen Sie beim Befestigen der Zubehörteile sicher, dass der Handgriff **5** auf dem Entsafter-Basisgerät **7**

nach vorne gekippt ist. Legen Sie dann den Mittelring **4** auf das Entsafter-Basisgerät **7**, befestigen Sie das Entsaftersieb **3** auf dem Mittelring **4** und drücken Sie das Entsaftersieb auf das Entsafter-Basisgerät.

• Platzieren Sie den Deckel mit Einfüllschacht **2** auf dem Mittelring (Entsaftersieb befindet sich auf dem Entsafter-Basisgerät). Kippen Sie den Handgriff **5** nach oben und platzieren Sie den Handgriff über den Deckel mit Einfüllschacht **2**, bis der Handgriff auf den Ausbuchtungen des Deckels mit Einfüllschacht gesichert ist.

• **HINWEIS! Das Gerät wird nur funktionieren, wenn der Handgriff richtig platziert und auf den Ausbuchtungen vom Deckel mit Einfüllschacht gesichert ist.**

• **WARNHINWEIS!** Der Motor des Geräts wird sich automatisch ausschalten, wenn der Handgriff des Entsafter-Basisgeräts nach vorne gekippt wird. Vergessen Sie nicht, den Bedienknopf auf die Position „0“ zu stellen, weil sich der Motor sonst automatisch einschalten wird, wenn der Handgriff wieder auf den Ausbuchtungen vom Deckel mit Einfüllschacht platziert wird.

• Stellen Sie das Gerät während des Betriebs auf eine flache, stabile Oberfläche, an einem Ort, wo es nicht umfallen kann.

• Das Gerät verfügt über rutschfeste Füße **9**. Diese gewährleisten, dass das Gerät stabiler und sicherer auf einer flachen Oberfläche (wie einer Küchenarbeitsplatte, einem Tisch usw.) steht, sodass es bei den Erschütterungen, wenn es in Betrieb ist, nicht verrutschen oder umkippen kann.

• Das Gerät ist zur Zubereitung von Saft aus weichem Obst und Gemüse bestimmt.

• Das Gerät ist nicht bestimmt zum:

- o Verarbeiten harter Teile oder Lebensmittel wie Nüsse, Kerne, große Körner oder Stiele.
- o Materialien, die keine Nahrungsmittel sind.



• **WARNHINWEIS!** Schnittgefahr. Die Raspeln vom Entsaftersieb **3** sind sehr scharf. Setzen Sie den Deckel mit Einfüllschacht **2** auf das Gerät, wenn Sie es benutzen und sichern Sie den Deckel, indem Sie den Handgriff **5** über die Deckelausbuchtungen platzieren. Die Raspeln des Geräts können zu ernsthaften Verletzungen von Körperteilen führen!

• Geben Sie die Zutaten in den Einfüllschacht vom Deckel **2**. Schneiden Sie große Zutaten in Stücke von höchstens 5 cm Größe, bevor Sie diese verarbeiten. Lassen Sie heiße Zutaten abkühlen, bevor Sie diese verarbeiten (Höchsttemperatur von 60 °C).

• Verwenden Sie nur den Lebensmittelstopfer **1**, um das Obst oder Gemüse sanft durch den Einfüllschacht zu drücken.



• **WARNHINWEIS!** Verwenden Sie nur den Lebensmittelstopfer, um das Obst oder Gemüse durch den Einfüllschacht zu drücken. Verwenden Sie keine Körperteile oder Küchengeräte, um das Obst oder Gemüse durch den Einfüllschacht zu drücken, da dies das Gerät beschädigen oder zu Verletzungen führen kann.

• Der Mittelring **4** ist mit einem Fruchtfleisch-/Tresterüberlauf oben und einem Saftausfluss unten ausgestattet. Stellen Sie den Fruchtfleisch-/Tresterbehälter **6** unter den Fruchtfleisch-/Tresterüberlauf vom Mittelring. Stellen Sie den Saftbehälter **10** unter den Saftausfluss.

• Drehen Sie den Bedienknopf **8** gegen den Uhrzeigersinn auf die Geschwindigkeitsposition „1“ oder Geschwindigkeitsposition „2“.

o Geschwindigkeitsposition „1“ ist für leichtes Raspeln von Obst und Gemüse bestimmt.

o Geschwindigkeitsposition „2“ ist für starkes Raspeln von Obst und Gemüse bestimmt.



• **WARNHINWEIS!** Sobald der Saftbehälter bis zur 500-ml-Anzeige gefüllt ist oder nach drei

Entsaftungsvorgängen von 1 Minute, drehen Sie den Bedienknopf **8** im Uhrzeigersinn auf die Geschwindigkeitsposition „0“, um das Gerät 1 Minute lang abkühlen zu lassen. Lassen Sie das Gerät nach 3 Vorgängen 15 Minuten lang abkühlen, um ein Überhitzen des Motors und eine Beschädigung zu verhindern.

• Vorsicht: Rosinen sind nicht zum Entsaften geeignet, weil sie zu wenig Saft enthalten. Rhabarber und anderes faseriges Obst/Gemüse ist nicht zum Entsaften geeignet, weil die Fasern das Entsaftersieb **3** blockieren.

• Um das Feststecken von Obst oder Gemüse im Einfüllschacht **2** zu verhindern, füllen Sie das Gerät nur, wenn es eingeschaltet ist. Falls Obst- oder Gemüsestücke im Einfüllschacht stecken bleiben sollten und nicht sofort mit dem Lebensmittelstopfer **1** weitergeleitet werden können, schalten Sie das Gerät aus und ziehen Sie den Stecker aus der Steckdose. Befolgen sie die weiteren Anweisungen in „Pflege und Reinigung“.

• Um das Verstopfen des Saftauslasses zu vermeiden, reinigen Sie den Saftauslass und den Auslass für Fruchtfleisch/Trester regelmäßig nach jeder Verwendung.



• **WARNHINWEIS!** Warten Sie, bis das Gerät aufgehört hat, stellen Sie sicher, dass die rotierenden Teile zum Stillstand gekommen sind, ziehen Sie den Netzstecker aus der Steckdose.

• Lösen Sie den Handgriff **5** aus den Ausbuchtungen vom Deckel mit Einfüllschacht **2** und kippen Sie den Handgriff nach vorne. Nehmen Sie den Deckel mit Einfüllschacht **2** vom Mittelring **4**. Nehmen Sie das Entsaftersieb **3** vom Entsafter-Basisgerät **7**. Schaufeln Sie das Fruchtfleisch oder den Gemüsetrester aus

dem Entsaftersieb in den Fruchtfleisch-/Tresterbehälter 6. Nehmen Sie den Mittelring 4 vom Entsafter-Basisgerät 7 und schaufeln Sie das Fruchtfleisch oder den Gemüsetrester aus dem Mittelring in den Fruchtfleisch-/Tresterbehälter 6, entleeren Sie den Fruchtfleisch-/Tresterbehälter im Müll oder auf einem Komposthaufen. Schütten Sie den gesammelten Saft aus dem Saftbehälter 10 in ein Glas oder einen Becher und genießen Sie frischen selbst gemachten Saft.

4) PFLEGE UND REINIGUNG

- Reinigen Sie das Gerät nach jeder Verwendung, da es direkten Kontakt mit Lebensmitteln hat.
- Ziehen Sie den Stecker aus der Steckdose und lassen Sie das Gerät vollständig (± 15 Minuten) abkühlen.
- **Tauchen Sie das Entsafter-Basisgerät 7 nie in Wasser oder in eine andere Flüssigkeit.**
- **Reinigen Sie das Gerät nie mit einem Dampfreiniger.**
- Reinigen Sie das Entsafter-Basisgerät 7 und das Stromkabel mit einem feuchten Tuch.
- Reinigen Sie Lebensmittelstopfer 1, Deckel mit Einfüllschacht 2, Entsaftersieb 3, Mittelring 4, Fruchtfleisch-/Tresterbehälter 6 und Saftbehälter 10 in warmem Wasser und Geschirrspülmittel. Reinigen Sie das Entsafter-Basisgerät 7 nicht in Wasser oder in einer anderen Flüssigkeit. Spülen Sie alles nach der Reinigung mit Leitungswasser ab.
- **WARNHINWEIS!** Schnittgefahr. Es wird empfohlen, das Entsaftersieb 3 unter laufendem Wasser zu reinigen, da die Raspeln vom Entsaftersieb 3 sehr scharf sind!
- Verwenden Sie niemals aggressive oder scheuernde Reinigungsmittel, Scheuerschwamm oder Stahlwolle; dies beschädigt das Gerät.
- Reinigen Sie das Gerät und die Zubehörteile nicht im Geschirrspüler.
- Trocknen Sie das Gerät und die Zubehörteile gründlich ab.
- Lagern Sie das Gerät an einem trockenen Ort.

5) TECHNISCHE DATEN

- Eingangsspannung: 220 - 240 V~, 50/60 Hz, Klasse II
- Strom: 400 W
- Kabellänge: 120 cm
- Gewicht: 2,47 kg
- Maße ohne Saftbehälter: 38,5 x 26,5 x 19,5 cm (H x B x T)
- Maße mit Saftbehälter: 38,5 x 36 x 19,5 cm (H x B x T)

6) LAGERUNG UND TRANSPORT

- Wenn Sie das Gerät aufbewahren, sollte es zuerst, wie in der Bedienungsanleitung beschrieben, gereinigt werden. Das Gerät sollte in der Originalverpackung aufbewahrt werden.
- Bewahren Sie das Gerät immer in einem trockenen und gut belüfteten Raum und außerhalb der Reichweite von Kindern auf.
- Schützen Sie das Gerät während des Transports gegen Vibrationen und Stöße.

Die Änderung aller Inhalte und der technischen Daten in dieser Anleitung ist ohne vorherige Ankündigung vorbehalten.

ANWEISUNGEN ZUM SCHUTZ DER UMWELT (EEAG, Rückgewinnung von Elektro- und Elektronik-Altgeräten)



Ihr Produkt wurde aus hochwertigen Materialien und Komponenten hergestellt, die man recyceln und wiederverwenden kann. Am Ende seiner Lebensdauer darf dieses Produkt nicht im normalen Hausmüll entsorgt werden, sondern muss zu einer speziellen Sammelstelle für das Recycling von elektrischen und elektronischen Geräten gebracht werden. Dies wird in der Bedienungsanleitung und der Verpackung durch den durchgestrichenen Abfallbehälter angezeigt. Die verwendeten Rohstoffe sind recyclingfähig.

Durch die Wiederverwertung der Altgeräte oder Rohstoffe leisten Sie einen wichtigen Beitrag zum Schutz unserer Umwelt. Sie können die nächstgelegene Sammelstelle bei Ihrer Gemeinde erfragen.



EU Declaration Of Conformity

We,
Mascot Online BV
Veluwezoom 32
1327 AH Almere
The Netherlands

Declare under our sole responsibility that the product:

- Product Brand: Magnani
- Product Model No: MI-HA-JCS01-BSS
- Product Description: Juicer
- Product Rating: 220 - 240 V~, 50/60 Hz, Class II, 400 W

Following the provisions of the Directives:

- Electromagnetic Compatibility (EMC): 2014/30/EU
- Energy Related products (ERP): 2009/125/EC
- Low Voltage Directive (LVD): 2014/35/EU
- Restriction of the use of certain Hazardous Substances in Electrical and Electronic Equipment (RoHS) Directive: 2011/65/EU, with its amendment 2015/863/EU

And standards to which Conformity is declared:

EMC:

- EN 55014-1:2017
- EN 55014-2:2015
- EN 61000-3-2:2014
- EN 61000-3-3:2013

ERP:

- (EC) No 1275/2008 + (EU) No 801/2013

LVD:

- EN 60335-1:2012 + A11:2014 + A13:2017 + A1:2019 + A14:2019 + A2:2019
- EN 60335-2-14:2006 + A1:2008 + A11:2012 + A12:2016
- EN 62233:2008

Date & place of issue: Almere, 01-7-2021

Authorized Signature name: B. van Dijk

Title: Managing Director

