

SKIL

IMPACT DRILL 6271 (F0156271..) 6290 (F0156290..)



GB	ORIGINAL INSTRUCTIONS	7	UA	ОРИГІНАЛЬНА ІНСТРУКЦІЯ З ЕКСПЛУАТАЦІЇ	55
F	NOTICE ORIGINALE	9	GR	ΠΡΩΤΟΤΥΠΟ ΟΔΗΓΙΩΝ ΧΡΗΣΗΣ	58
D	ORIGINALBETRIEBSANLEITUNG	13	RO	INSTRUCȚIUNI DE FOLOSIRE ORIGINALE	62
NL	ORIGINELE GEBRUIKSAANWIJZING	16	BG	ОРИГИНАЛНО РЪКОВОДСТВО ЗА ЕКСПЛОАТАЦИЯ	65
S	BRUKSANVISNING I ORIGINAL	19	SK	PŔOVODNÝ NÁVOD NA POUŽITIE	68
DK	ORIGINAL BRUGSANVISNING	22	HR	ORIGINALNE UPUTE ZA RAD	72
N	ORIGINAL BRUKSANVISNING	24	SRB	ORIGINALNO UPUTSTVO ZA RAD	74
FIN	ALKUPERÄISET OHJEET	27	SLO	IZVIRNA NAVODILA	77
E	MANUAL ORIGINAL	30	EST	ALGUPÄRANE KASUTUSJUHEND	80
P	MANUAL ORIGINAL	33	LV	ORIĢINĀLĀ LIETOŠANAS PAMĀCĪBA	83
I	ISTRUZIONI ORIGINALI	36	LT	ORIGINALI INSTRUKCIJA	86
H	EREDETI HASZNÁLATI UTASÍTÁS	39	MK	ИЗБОРНО УПАТСТВО ЗА РАБОТА	89
CZ	PŔVODNÍM NÁVODEM K POUŽÍVÁNÍ	42	AL	UDHËZIMET ORIGINALE	92
TR	ORİJİNAL İŞLETME TALİMATI	45	AR	دليل الاستعمال	102
PL	INSTRUKCJA ORYGINALNA	48	FA	راهنمای اصلی	100
RU	ПОДЛИННИК РУКОВОДСТВА ПО ЭКСПЛУАТАЦИИ	51			



1 6271

710
Watt

1,7 kg
EPTA 01/2003

n₀
0-2700
/min

1,5-
13 mm

Fe
13 mm

16 mm

35 mm

0-43200
p/min

220
-
240
V~
50-60 Hz

6290

710
Watt

1,7 kg
EPTA 01/2003

n₀
0-2700
/min

2 -
13 mm

Fe
13 mm

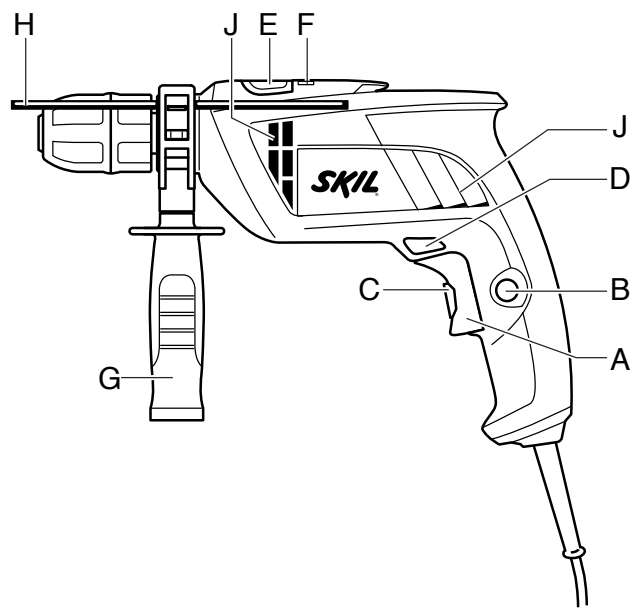
16 mm

35 mm

0-43200
p/min

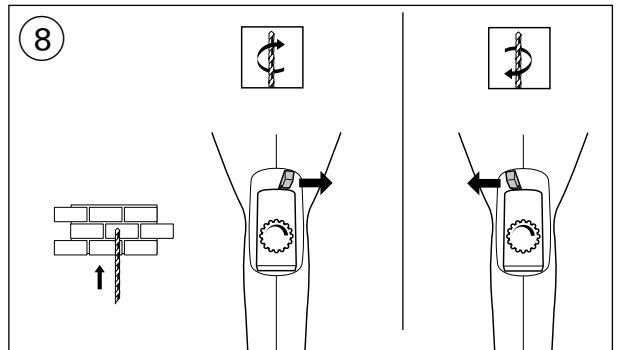
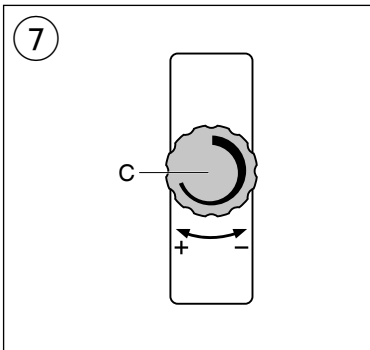
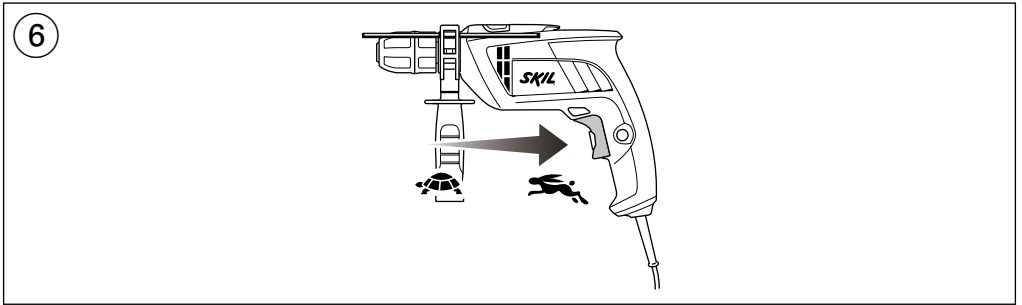
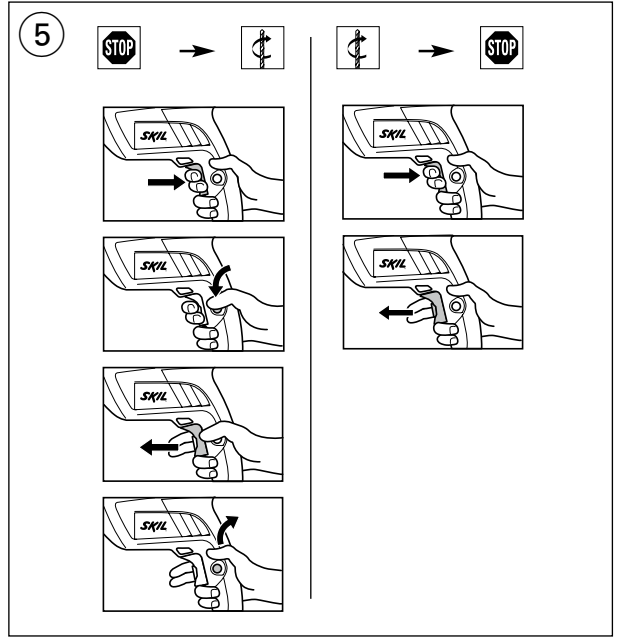
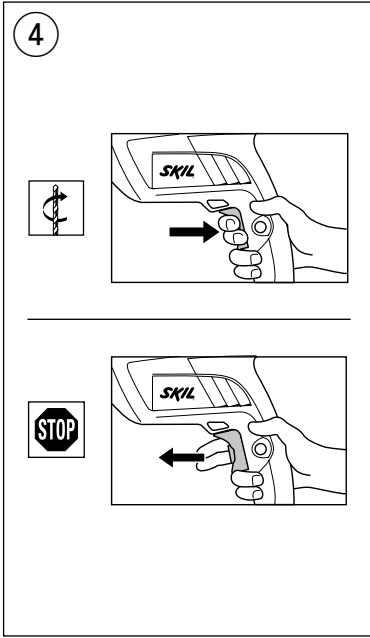
220
-
240
V~
50-60 Hz

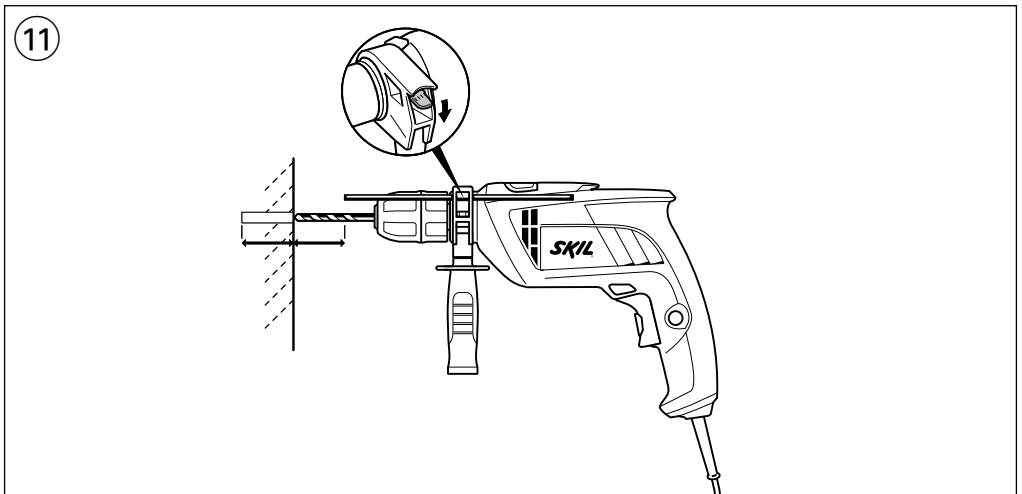
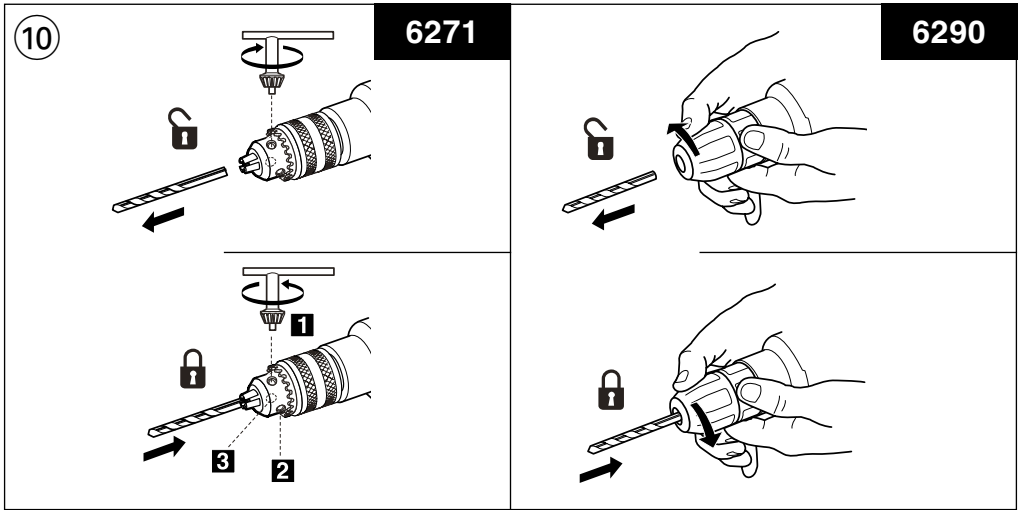
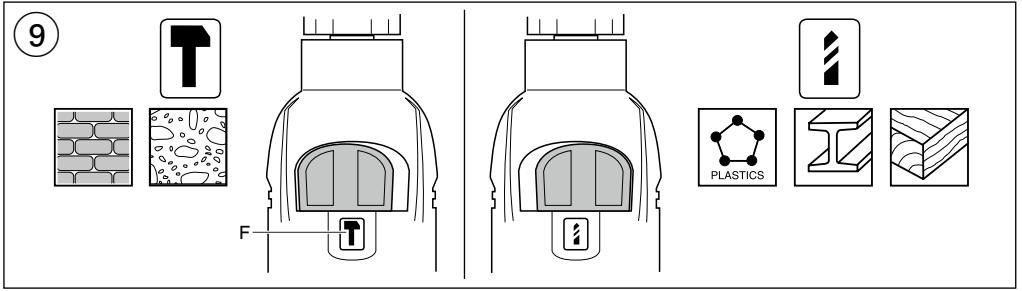
2



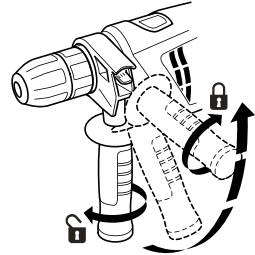
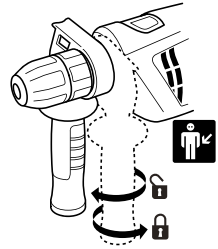
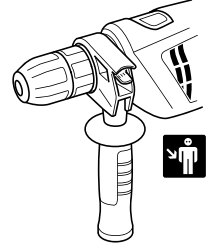
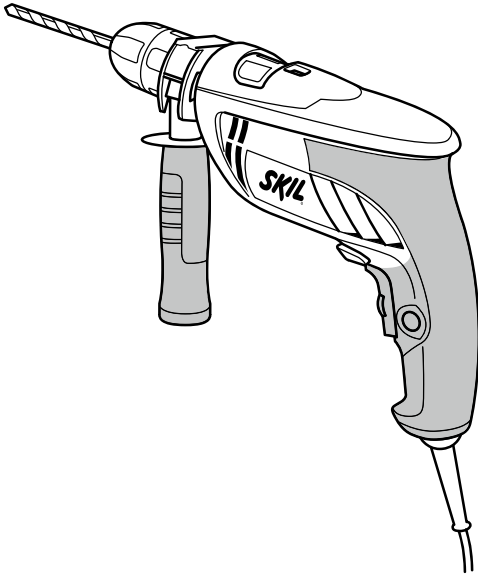
3



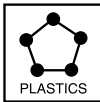
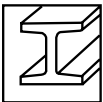




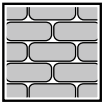
12

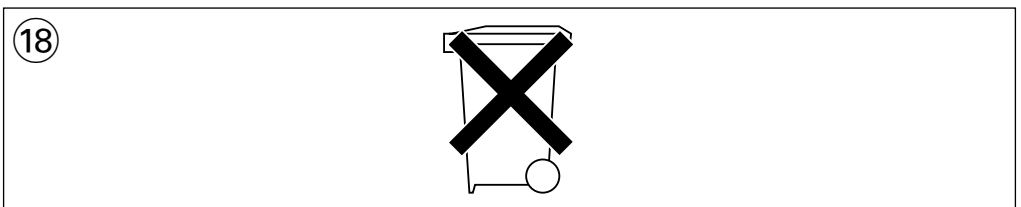
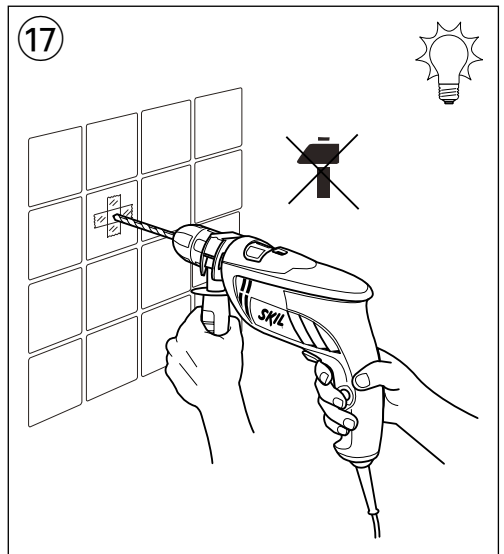
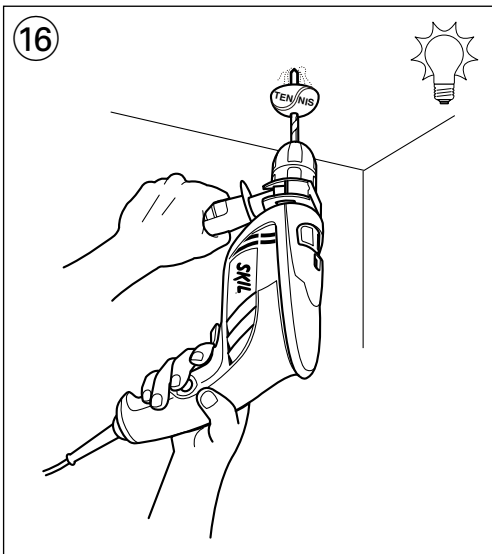
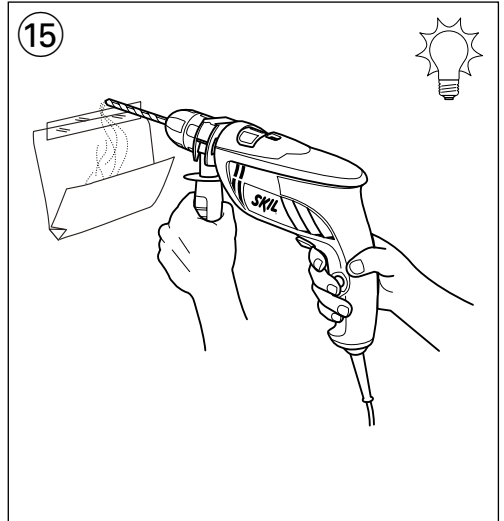
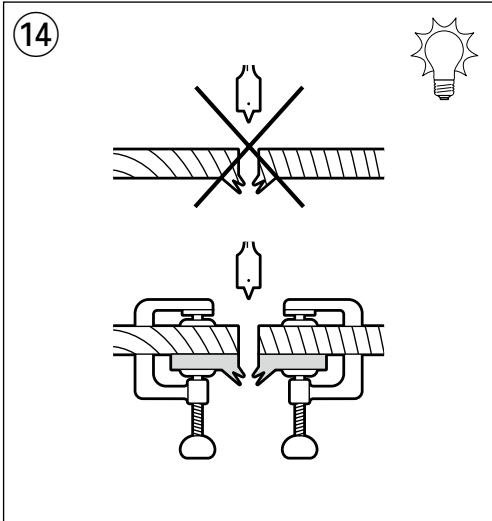


13



HSS





Impact drill

6271/6290

INTRODUCTION

- This tool is intended for impact drilling in brick, concrete and stone as well as for drilling in wood, metal, ceramic and plastic
- This tool is not intended for professional use
- Read and save this instruction manual ③

TECHNICAL DATA ①

TOOL ELEMENTS ②

- A Switch for on/off and speed control
- B Button for switch locking
- C Wheel for maximum speed control
- D Switch for changing direction of rotation
- E Switch for selecting drilling function
- F Indicator of selected drilling function
- G Auxiliary handle
- H Depth gauge
- J Ventilation slots

SAFETY

GENERAL SAFETY INSTRUCTIONS

⚠ WARNING! Read all safety warnings and all instructions. Failure to follow the warnings and instructions may result in electric shock, fire and/or serious injury. **Save all warnings and instructions for future reference.** The term "power tool" in the warnings refers to your mains-operated (corded) power tool or battery-operated (cordless) power tool.

1) WORK AREA SAFETY

- a) **Keep work area clean and well lit.** Cluttered or dark areas invite accidents.
- b) **Do not operate power tools in explosive atmospheres, such as in the presence of flammable liquids, gases or dust.** Power tools create sparks which may ignite the dust or fumes.
- c) **Keep children and bystanders away while operating a power tool.** Distractions can cause you to lose control.

2) ELECTRICAL SAFETY

- a) **Power tool plugs must match the outlet. Never modify the plug in any way. Do not use any adapter plugs with earthed (grounded) power tools.** Unmodified plugs and matching outlets will reduce risk of electric shock.
- b) **Avoid body contact with earthed or grounded surfaces such as pipes, radiators, ranges and refrigerators.** There is an increased risk of electric shock if your body is earthed or grounded.
- c) **Do not expose power tools to rain or wet conditions.** Water entering a power tool will increase the risk of electric shock.
- d) **Do not abuse the cord. Never use the cord for carrying, pulling or unplugging the power tool. Keep**

cord away from heat, oil, sharp edges or moving parts. Damaged or entangled cords increase the risk of electric shock.

- e) **When operating a power tool outdoors, use an extension cord suitable for outdoor use.** Use of a cord suitable for outdoor use reduces the risk of electric shock.
- f) **If operating a power tool in a damp location is unavoidable, use an earth leakage circuit breaker.** Use of an earth leakage circuit breaker reduces the risk of electric shock.

3) PERSONAL SAFETY

- a) **Stay alert, watch what you are doing and use common sense when operating a power tool. Do not use a power tool while you are tired or under the influence of drugs, alcohol or medication.** A moment of inattention while operating power tools may result in serious personal injury.
 - b) **Use personal protective equipment. Always wear eye protection.** Protective equipment such as dust mask, non-skid safety shoes, hard hat, or hearing protection used for appropriate conditions will reduce personal injuries.
 - c) **Prevent unintentional starting. Ensure the switch is in the off-position before connecting to power source and/or battery pack, picking up or carrying the tool.** Carrying power tools with your finger on the switch or energising power tools that have the switch on invites accidents.
 - d) **Remove any adjusting key or wrench before turning the power tool on.** A wrench or a key left attached to a rotating part of the power tool may result in personal injury.
 - e) **Do not overreach. Keep proper footing and balance at all times.** This enables better control of the power tool in unexpected situations.
 - f) **Dress properly. Do not wear loose clothing or jewelry. Keep your hair, clothing and gloves away from moving parts.** Loose clothes, jewelry or long hair can be caught in moving parts.
 - g) **If devices are provided for the connection of dust extraction and collection facilities, ensure these are connected and properly used.** Use of dust collection can reduce dust-related hazards.
- #### 4) POWER TOOL USE AND CARE
- a) **Do not force the power tool. Use the correct power tool for your application.** The correct power tool will do the job better and safer at the rate for which it was designed.
 - b) **Do not use the power tool if the switch does not turn it on and off.** Any power tool that cannot be controlled with the switch is dangerous and must be repaired.
 - c) **Disconnect the plug from the power source and/or the battery pack from the power tool before making any adjustments, changing accessories, or storing power tools.** Such preventive safety measures reduce the risk of starting the power tool accidentally.
 - d) **Store idle power tools out of the reach of children and do not allow persons unfamiliar with the power tool or these instructions to operate the power tool.** Power tools are dangerous in the hands of untrained users.

- e) **Maintain power tools. Check for misalignment or binding of moving parts, breakage of parts and any other condition that may affect the power tool's operation. If damaged, have the power tool repaired before use.** Many accidents are caused by poorly maintained power tools.
 - f) **Keep cutting tools sharp and clean.** Properly maintained cutting tools with sharp cutting edges are less likely to bind and are easier to control.
 - g) **Use the power tool, accessories and tool bits etc., in accordance with these instructions, taking into account the working conditions and the work to be performed.** Use of the power tool for operations different from those intended could result in a hazardous situation.
- 5) SERVICE**
- a) **Have your power tool serviced by a qualified repair person using only identical replacement parts.** This will ensure that the safety of the power tool is maintained.

SAFETY INSTRUCTIONS FOR IMPACT DRILLS

GENERAL

- This tool should not be used by people under the age of 16 years
- **Always disconnect plug from power source before making any adjustment or changing any accessory**
- **Wear ear protectors** (exposure to noise can cause hearing loss)
- **Use auxiliary handle(s), if supplied with the tool** (loss of control can cause personal injury)
- Use completely unrolled and safe extension cords with a capacity of 16 Amps (U.K. 13 Amps)
- **Do not work materials containing asbestos** (asbestos is considered carcinogenic)
- Dust from material such as paint containing lead, some wood species, minerals and metal may be harmful (contact with or inhalation of the dust may cause allergic reactions and/or respiratory diseases to the operator or bystanders); **wear a dust mask and work with a dust extraction device when connectable**
- Certain kinds of dust are classified as carcinogenic (such as oak and beech dust) especially in conjunction with additives for wood conditioning; **wear a dust mask and work with a dust extraction device when connectable**
- Follow the dust-related national requirements for the materials you want to work with

BEFORE USE

- Always check that the supply voltage is the same as the voltage indicated on the nameplate of the tool (tools with a rating of 230V or 240V can also be connected to a 220V supply)
- Avoid damage that can be caused by screws, nails and other elements in your workpiece; remove them before you start working
- **Use suitable detectors to find hidden utility lines or call the local utility company for assistance** (contact with electric lines can lead to fire or electrical shock; damaging a gas line can result in an explosion; penetrating a water pipe will cause property damage or an electrical shock)

- **Secure the workpiece** (a workpiece clamped with clamping devices or in a vice is held more securely than by hand)
- Never use the tool when cord is damaged; have it replaced by a qualified person

ACCESSORIES

- SKIL can assure flawless functioning of the tool only when original accessories are used
- Use only accessories with an allowable speed matching at least the highest no-load speed of the tool

DURING USE

- Always keep the cord away from moving parts of the tool
- If the drill bit becomes unexpectedly jammed (causing a sudden, dangerous reaction), immediately switch off the tool
- **Hold the power tool only by the insulated gripping surfaces when performing an operation where the accessory may contact hidden wiring or its own power cord** (contact with a "live" wire will also make exposed metal parts of the power tool "live" and shock the operator)
- In case of electrical or mechanical malfunction, immediately switch off the tool and disconnect the plug
- If the cord is damaged or cut through while working, do not touch the cord, but immediately disconnect the plug

AFTER USE

- When you put away the tool, switch off the motor and ensure that all moving parts have come to a complete standstill

WHEN CONNECTING NEW 3-PIN PLUG (U.K. ONLY):

- Do not connect the blue (= neutral) or brown (= live) wire in the cord of this tool to the earth terminal of the plug
- If for any reason the old plug is cut off the cord of this tool, it must be disposed of safely and not left unattended

USE

- On/off ④
- Switch locking for continuous use ⑤
- Speed control for smooth starting ⑥
- Maximum speed control ⑦
 - With wheel C the maximum speed can be adjusted from low to high
 - switch on the tool
 - lock the switch
 - turn wheel C to select maximum speed
- Changing direction of rotation ⑧
 - when not properly set in left/right position, switch A ② cannot be activated
- ! **change direction of rotation only when tool is at a complete standstill**
- Normal drilling versus impact drilling ⑨
 - indicator F shows the selected drilling function
- ! **select drilling function only when tool is switched off and plug is disconnected**
- Changing bits ⑩
 - insert the bit as deep as possible in the chuck
- ! **do not use bits with a damaged shank**
- Adjusting drilling depth ⑪

- Holding and guiding the tool ⑫
- ! **while working, always hold the tool at the grey-coloured grip area(s)**
- **always use auxiliary handle G ②** (can be adjusted as illustrated)
- keep ventilation slots J ② uncovered
- do not apply too much pressure on the tool; let the tool do the work for you

APPLICATION ADVICE

- Use the appropriate bits ⑬
- ! **only use sharp bits**
- For drilling in concrete or stone a steady pressure on the drill is required
- When drilling ferrous metals
 - pre-drill a smaller hole, when a large hole is required
 - lubricate drill bit occasionally with oil
- Splinterfree drilling in wood ⑭
- Dustfree drilling in walls ⑮
- Dustfree drilling in ceilings ⑯
- Drilling in tiles without skidding ⑰
- For more tips see www.skil.com

MAINTENANCE / SERVICE

- This tool is not intended for professional use
- Always keep tool and cord clean (especially ventilation slots J ②)
- ! **disconnect the plug before cleaning**
- If the tool should fail despite the care taken in manufacturing and testing procedures, repair should be carried out by an after-sales service centre for SKIL power tools
 - send the tool **undismantled** together with proof of purchase to your dealer or the nearest SKIL service station (addresses as well as the service diagram of the tool are listed on www.skil.com)

ENVIRONMENT

- **Do not dispose of electric tools, accessories and packaging together with household waste material** (only for EU countries)
 - in observance of European Directive 2002/96/EC on waste of electric and electronic equipment and its implementation in accordance with national law, electric tools that have reached the end of their life must be collected separately and returned to an environmentally compatible recycling facility
 - symbol ⑱ will remind you of this when the need for disposing occurs

DECLARATION OF CONFORMITY C E

- We declare under our sole responsibility that the product described under "Technical data" is in conformity with the following standards or standardization documents: EN 60745, EN 61000, EN 55014, in accordance with the provisions of the directives 2004/108/EC, 2006/42/EC, 2011/65/EU

- **Technical file at:** SKIL Europe BV (PT-SEU/ENG1), 4825 BD Breda, NL

Marijn van der Hoofden
Operations & Engineering

Olaf Dijkgraaf
Approval Manager



SKIL Europe BV, 4825 BD Breda, NL

04.07.2013

NOISE/VIBRATION

- Measured in accordance with EN 60745 the sound pressure level of this tool is 94 dB(A) and the sound power level 105 dB(A) (standard deviation: 3 dB), and the vibration * (hand-arm method; uncertainty K = 1.5 m/s²)
 - * when drilling in metal 3.0 m/s²
 - * when impact drilling in concrete 13.2 m/s²
- The vibration emission level has been measured in accordance with a standardised test given in EN 60745; it may be used to compare one tool with another and as a preliminary assessment of exposure to vibration when using the tool for the applications mentioned
 - using the tool for different applications, or with different or poorly maintained accessories, may significantly **increase** the exposure level
 - the times when the tool is switched off or when it is running but not actually doing the job, may significantly **reduce** the exposure level
- ! **protect yourself against the effects of vibration by maintaining the tool and its accessories, keeping your hands warm, and organizing your work patterns**

F

Perceuse à percussion

6271/6290

INTRODUCTION

- Cet outil est conçu pour les travaux de perçage de percussion dans la brique, le béton et dans la pierre naturelle ainsi que le perçage dans le bois, le métal, la céramique et les matières plastiques
- Cet outil n'est conçu pour un usage professionnel
- Lisez et conservez ce manuel d'instruction ③

CARACTERISTIQUES TECHNIQUES ①

ELEMENTS DE L'OUTIL ②

- A Interrupteur de marche/arrêt et réglage de vitesse
- B Bouton de blocage de l'interrupteur
- C Molette de réglage de la vitesse maximum
- D Commutateur pour inverser le sens de rotation
- E Commutateur pour sélectionner la fonction de perçage
- F Indicateur de la fonction de perçage sélectionnée
- G Poignée auxiliaire
- H Jauge de profondeur
- J Fentes de ventilation

SECURITE

INSTRUCTIONS GENERALES DE SECURITE

⚠ ATTENTION! Lisez tous les avertissements de sécurité et toutes les instructions. Ne pas suivre les avertissements et instructions peut entraîner un choc électrique, un incendie et/ou de graves blessures sur les personnes. **Conservez tous les avertissements et toutes les instructions pour pouvoir s'y reporter ultérieurement.** La notion d'"outil électroportatif" dans les avertissements se rapporte à des outils électriques raccordés au secteur (avec câble de raccordement) et à des outils électriques à batterie (sans câble de raccordement).

1) SECURITE DE LA ZONE DE TRAVAIL

- a) **Maintenez l'endroit de travail propre et bien éclairé.**
Un lieu de travail en désordre ou mal éclairé augmente le risque d'accidents.
- b) **N'utilisez pas l'appareil dans un environnement présentant des risques d'explosion et où se trouvent des liquides, des gaz ou poussières inflammables.** Les outils électroportatifs génèrent des étincelles risquant d'enflammer les poussières ou les vapeurs.
- c) **Tenez les enfants et autres personnes éloignés durant l'utilisation de l'outil électroportatif.** En cas d'inattention vous risquez de perdre le contrôle sur l'appareil.

2) SECURITE RELATIVE AU SYSTEME ELECTRIQUE

- a) **La fiche de secteur de l'outil électroportatif doit être appropriée à la prise de courant. Ne modifiez en aucun cas la fiche. N'utilisez pas de fiches d'adaptateur avec des appareils avec mise à la terre.** Les fiches non modifiées et les prises de courant appropriées réduisent le risque de choc électrique.
- b) **Evitez le contact physique avec des surfaces mises à la terre telles que tuyaux, radiateurs, fours et réfrigérateurs.** Il y a un risque élevé de choc électrique au cas où votre corps serait relié à la terre.
- c) **N'exposez pas l'outil électroportatif à la pluie ou à l'humidité.** La pénétration d'eau dans un outil électroportatif augmente le risque d'un choc électrique.
- d) **N'utilisez pas le câble à d'autres fins que celles prévues, n'utilisez pas le câble pour porter l'appareil ou pour l'accrocher ou encore pour le débrancher de la prise de courant. Maintenez le câble éloigné des sources de chaleur, des parties grasses, des bords tranchants ou des parties de l'appareil en rotation.** Un câble endommagé ou torsadé augmente le risque d'un choc électrique.
- e) **Au cas où vous utiliseriez l'outil électroportatif à l'extérieur, utilisez une rallonge autorisée homologuée pour les applications extérieures.** L'utilisation d'une rallonge électrique homologuée pour les applications extérieures réduit le risque d'un choc électrique.
- f) **Si l'usage d'un outil dans un emplacement humide est inévitable, utilisez un disjoncteur de fuite à la terre.** L'utilisation d'un disjoncteur de fuite à la terre réduit le risque de choc électrique.

3) SECURITE DES PERSONNES

- a) **Restez vigilant, surveillez ce que vous faites. Faites preuve de bon sens en utilisant l'outil électroportatif. N'utilisez pas l'appareil lorsque vous êtes fatigué ou après avoir consommé de l'alcool, des drogues ou avoir pris des médicaments.** Un moment d'inattention lors de l'utilisation de l'appareil peut entraîner de graves blessures sur les personnes.
 - b) **Portez des équipements de protection. Portez toujours des lunettes de protection.** Le fait de porter des équipements de protection personnels tels que masque anti-poussières, chaussures de sécurité antidérapantes, casque de protection ou protection acoustique suivant le travail à effectuer, réduit le risque de blessures.
 - c) **Evitez tout démarrage intempestif. S'assurez que l'interrupteur est en position arrêt avant de brancher l'outil au secteur et/ou au bloc de batteries, de le ramasser ou de le porter.** Porter les outils en ayant le doigt sur l'interrupteur ou brancher des outils dont l'interrupteur est en position marche est source d'accidents.
 - d) **Enlevez tout outil de réglage ou toute clé avant de mettre l'appareil en fonctionnement.** Une clé ou un outil se trouvant sur une partie en rotation peut causer des blessures.
 - e) **Ne surestimez pas vos capacités. Veillez à garder toujours une position stable et équilibrée.** Ceci vous permet de mieux contrôler l'appareil dans des situations inattendues.
 - f) **Portez des vêtements appropriés. Ne portez pas de vêtements amples ni de bijoux. Maintenez cheveux, vêtements et gants éloignés des parties de l'appareil en rotation.** Des vêtements amples, des bijoux ou des cheveux longs peuvent être happés par des pièces en mouvement.
 - g) **Si des dispositifs servant à aspirer ou à recueillir les poussières doivent être utilisés, vérifiez que ceux-ci soient effectivement raccordés et qu'ils sont correctement utilisés.** L'utilisation des collecteurs de poussière réduit les dangers dus aux poussières.
- ### 4) UTILISATION ET EMPLOI SOIGNEUX DE L'OUTIL ELECTROPORTATIF
- a) **Ne surchargez pas l'appareil. Utilisez l'outil électroportatif approprié au travail à effectuer.** Avec l'outil électroportatif approprié, vous travaillerez mieux et avec plus de sécurité à la vitesse pour laquelle il est prévu.
 - b) **N'utilisez pas un outil électroportatif dont l'interrupteur est défectueux.** Un outil électroportatif qui ne peut plus être mis en ou hors fonctionnement est dangereux et doit être réparé.
 - c) **Débranchez la fiche de la source d'alimentation en courant et/ou le bloc de batteries de l'outil avant tout réglage, changement d'accessoires ou avant de ranger l'outil.** Cette mesure de précaution empêche une mise en fonctionnement par mégarde.
 - d) **Gardez les outils électroportatifs non utilisés hors de portée des enfants. Ne permettez pas l'utilisation de l'appareil à des personnes qui ne se sont pas familiarisées avec celui-ci ou qui n'ont pas lu ces**

instructions. Les outils électroportatifs sont dangereux lorsqu'ils sont utilisés par des personnes non initiées.

- e) **Prenez soin des outils électroportatifs. Vérifiez que les parties en mouvement fonctionnent correctement et qu'elles ne soient pas coincées, et contrôlez si des parties sont cassées ou endommagées de telle sorte que le bon fonctionnement de l'appareil s'en trouve entravé. Faites réparer les parties endommagées avant d'utiliser l'appareil.** De nombreux accidents sont dus à des outils électroportatifs mal entretenus.
- f) **Maintenez les outils de coupe aiguisés et propres.** Des outils soigneusement entretenus avec des bords tranchants bien aiguisés se coincent moins souvent et peuvent être guidés plus facilement.
- g) **Utilisez les outils électroportatifs, les accessoires, les outils à monter etc. conformément à ces instructions. Tenez compte également des conditions de travail et du travail à effectuer.** L'utilisation des outils électroportatifs à d'autres fins que celles prévues peut entraîner des situations dangereuses.

5) SERVICE

- a) **Ne faites réparer votre outil électroportatif que par un personnel qualifié et seulement avec des pièces de rechange d'origine.** Ceci permet d'assurer la sécurité de l'appareil.

INSTRUCTIONS DE SECURITE POUR PERCEUSES A PERCUSSION

GENERALITES

- Cet outil ne doit pas être utilisé par des personnes de moins de 16 ans
- **Débranchez toujours l'outil avant tout réglage ou changement d'accessoire**
- **Portez des protections auditives** (l'exposition aux bruits peut provoquer une perte de l'audition)
- **Utilisez la(les) poignée(s) auxiliaire(s) fournie(s) avec l'outil** (la perte de contrôle peut provoquer des blessures)
- Utilisez un câble de prolongement complètement déroulé et de bonne qualité d'une capacité de 16 A
- **Ne travaillez pas de matériaux contenant de l'amiante** (l'amiante est considérée comme étant cancérigène)
- La poussière de matériaux, tels que la peinture contenant du plomb, certaines espèces de bois, certains minéraux et différents métaux, peut être nocive (le contact avec la poussière ou son inhalation peut provoquer des réactions allergiques et/ou des maladies respiratoires chez l'opérateur ou des personnes se trouvant à proximité); **portez un masque antipoussières et travaillez avec un appareil de dépoussiérage lorsqu'il est possible d'en connecter un**
- Certains types de poussières sont classifiés comme étant cancérigènes (tels que la poussière de chêne ou de hêtre), en particulier en combinaison avec des additifs de traitement du bois; **portez un masque antipoussières et travaillez avec un appareil de dépoussiérage lorsqu'il est possible d'en connecter un**
- Suivez les directives nationales relatives au dépoussiérage pour les matériaux à travailler

AVANT L'USAGE

- Contrôlez toujours si la tension secteur correspond à la tension indiquée sur la plaquette signalétique de l'outil (les outils conçus pour une tension de 230V ou 240V peuvent également être branchés sur 220V)
- Faites attention aux vis, clous ou autres éléments qui pourraient se trouver dans la pièce à travailler et qui risqueraient d'endommager très fortement votre outil; enlevez-les avant de commencer le travail
- **Utilisez des détecteurs appropriés afin de localiser la présence de conduites électriques ou bien s'adresser à la société locale de distribution** (un contact avec des lignes électriques peut provoquer un incendie et une décharge électrique; le fait d'endommager une conduite de gaz peut entraîner une explosion; le fait d'endommager une conduite d'eau peut entraîner des dégâts matériels ou causer une décharge électrique)
- **Fixez solidement la pièce à travailler** (une pièce fixée à l'aide de dispositifs de fixation est davantage assurée que si elle était tenue à la main)
- N'utilisez jamais d'outil avec un câble endommagé; faites-le remplacer par un technicien qualifié

ACCESSOIRES

- SKIL ne peut se porter garant du bon fonctionnement de cet outil que s'il a été utilisé avec les accessoires d'origine
- La vitesse admissible des accessoires utilisées doit être au moins aussi élevée que la vitesse à vide maximale de l'outil

PENDANT L'USAGE

- Tenez toujours le câble éloigné des parties mobiles de l'outil
- En cas de blocage de la mèche (générant une contre-réaction violente et dangereuse), éteignez immédiatement l'outil
- **Ne tenez l'outil électroportatif qu'aux poignées isolées, si, pendant les travaux, l'accessoire risque de toucher des câbles électriques cachés ou son propre câble d'alimentation** (le contact avec des conduites sous tension a pour conséquence une mise sous tension des parties métalliques de l'outil électrique et provoque une décharge électrique)
- En cas de dysfonctionnement électrique ou mécanique, mettez directement l'outil hors service et débranchez la fiche
- Si le câble est endommagé ou rompu pendant le travail, n'y touchez pas, mais débranchez immédiatement la prise

APRES L'USAGE

- Lorsque vous rangez votre outil, le moteur doit être coupé et les pièces mobiles complètement arrêtées

UTILISATION

- Marche/arrêt ④
 - Blocage de l'interrupteur pour marche continue ⑤
 - Réglage de la vitesse pour démarrage doux ⑥
 - Réglage de la vitesse maximum ⑦
- La molette C vous permet de régler la vitesse maximum de lente à rapide
- mettez en marche l'outil
 - verrouillez l'interrupteur

- tournez la molette C pour sélectionner la vitesse maximum
- Inversion du sens de rotation ⑧
 - quand l'outil n'est pas réglé exactement sur la position gauche/droite, il ne peut être mis en marche
 - ! **inversez uniquement le sens de rotation lorsque l'outil est à l'arrêt complet**
- Perçage normal à la fonction de perçage de percussion ⑨
 - l'indicateur F fait voir la fonction de perçage sélectionnée
 - ! **sélectionnez la fonction de perçage uniquement lorsque l'outil n'est pas sous tension et la fiche est débranchée**
- Changement des embouts ⑩
 - enfoncez l'embout le plus profondément possible dans le mandrin
 - ! **ne pas utiliser des embouts avec une queue endommagée**
- Réglage de la profondeur de perçage ⑪
- Tenue et guidage de l'outil ⑫
 - ! **lorsque vous travaillez, tenez toujours l'outil par la(les) zone(s) de couleur grise**
 - **utilisez toujours la poignée auxiliaire G ②** (peut être réglée comme illustré)
 - veillez à ce que les fentes de ventilation J ② soient découvertes
 - ne pas appuyez trop fortement sur l'outil; laissez l'outil travailler pour vous

CONSEILS D'UTILISATION

- Utilisez les embouts appropriés ⑬
 - ! **utilisez seulement des embouts bien affûtés**
- Pour percer dans le béton ou la maçonnerie, une pression ferme sur l'outil est requise
- Quand vous percez des métaux ferreux
 - pour faire un gros trou, faites un avant-trou plus petit
 - lubrifiez le foret de temps en temps
- Perçage sans éclat en bois ⑭
- Perçage sans poussières dans les murs ⑮
- Perçage sans poussières dans les plafonds ⑯
- Perçage des carreaux sans glisser ⑰
- Pour des suggestions complémentaires voyez www.skil.com

ENTRETIEN / SERVICE APRES-VENTE

- Cet outil n'est pas conçu pour un usage professionnel
- Gardez toujours votre outil et le câble propres (spécialement les aérations J ②)
 - ! **débranchez la fiche avant le nettoyage**
- Si, malgré tous les soins apportés à la fabrication et au contrôle de l'outil, celui-ci devait avoir un défaut, la réparation ne doit être confiée qu'à une station de service après-vente agréée pour outillage SKIL
 - retournez l'outil **non démonté** avec votre preuve d'achat au revendeur ou au centre de service après-vente SKIL le plus proche (les adresses ainsi que la vue éclatée de l'outil figurent sur www.skil.com)

ENVIRONNEMENT

- **Ne jetez pas les outils électriques, les accessoires et l'emballage dans les ordures ménagères** (pour les pays européens uniquement)
 - conformément à la directive européenne 2002/96/EG relative aux déchets d'équipements électriques ou électroniques, et à sa transposition dans la législation nationale, les outils électriques usés doivent être collectés séparément et faire l'objet d'un recyclage respectueux de l'environnement
 - le symbole ⑱ vous le rappellera au moment de la mise au rebut de l'outil

DÉCLARATION DE CONFORMITÉ CE

- Nous déclarons sous notre propre responsabilité que le produit décrit sous "Caractéristiques techniques" est en conformité avec les normes ou documents normatifs suivants: EN 60745, EN 61000, EN 55014, conformément aux termes des réglementations en vigueur 2004/108/CE, 2006/42/CE, 2011/65/UE
- **Dossier technique auprès de:** SKIL Europe BV (PT-SEU/ENG1), 4825 BD Breda, NL

Marijn van der Hoofden Olaf Dijkgraaf
Operations & Engineering Approval Manager




SKIL Europe BV, 4825 BD Breda, NL

04.07.2013

BRUIT/VIBRATION

- Mesuré selon EN 60745 le niveau de la pression sonore de cet outil est 94 dB(A) et le niveau de la puissance sonore 105 dB(A) (déviations standard: 3 dB), et la vibration * (méthode main-bras; incertitude K = 1,5 m/s²)
 - * pendant le perçage du métal 3,0 m/s²
 - * pendant le perçage de percussion du béton 13,2 m/s²
- Le niveau de vibrations émises a été mesuré conformément à l'essai normalisé de la norme EN 60745; il peut être utilisé pour comparer plusieurs outils et pour réaliser une évaluation préliminaire de l'exposition aux vibrations lors de l'utilisation de l'outil pour les applications mentionnées
 - l'utilisation de l'outil dans d'autres applications, ou avec des accessoires différents ou mal entretenus, peut considérablement **augmenter** le niveau d'exposition
 - la mise hors tension de l'outil et sa non-utilisation pendant qu'il est allumé peuvent considérablement **réduire** le niveau d'exposition
- ! **protégez-vous contre les effets des vibrations par un entretien correct de l'outil et de ses accessoires, en gardant vos mains chaudes et en structurant vos schémas de travail**

Schlagbohrmaschine 6271/6290

EINLEITUNG

- Dieses Werkzeug ist bestimmt zum Schlagbohren in Ziegel, Beton und Gestein, sowie zum bohren in Holz, Metall, Keramik und Kunststoff
- Dieses Werkzeug eignet sich nicht für den professionellen Einsatz
- Bitte diese Bedienungsanleitung sorgfältig lesen und aufbewahren ③

TECHNISCHE DATEN ①

WERKZEUGKOMPONENTEN ②

- A Schalter zum Ein-Aus-Schalten und zur Drehzahlregelung
- B Knopf zum Feststellen des Schalters
- C Rad zur Maximalgeschwindigkeits-Kontrolle
- D Schalter zum Umschalten der Drehrichtung
- E Schalter zum Wählen der Bohr-Position
- F Anzeige Bohr-Position
- G Zusatzgriff
- H Tiefenanschlag
- J Lüftungsschlitze

SICHERHEIT

ALLGEMEINE SICHERHEITSHINWEISE

⚠ ACHTUNG! Lesen Sie alle Sicherheitshinweise und Anweisungen. Versäumnisse bei der Einhaltung der Sicherheitshinweise und Anweisungen können elektrischen Schlag, Brand und/oder schwere Verletzungen verursachen. **Bewahren Sie alle Sicherheitshinweise und Anweisungen für die Zukunft auf.** Der in den Sicherheitshinweisen verwendete Begriff "Elektrowerkzeug" bezieht sich auf netzbetriebene Elektrowerkzeuge (mit Netzkabel) und auf akkubetriebene Elektrowerkzeuge (ohne Netzkabel).

1) ARBEITSPLATZSICHERHEIT

- a) **Halten Sie Ihren Arbeitsbereich sauber und gut beleuchtet.** Unordnung oder unbeleuchtete Arbeitsbereiche können zu Unfällen führen.
- b) **Arbeiten Sie mit dem Gerät nicht in explosionsgefährdeter Umgebung, in der sich brennbare Flüssigkeiten, Gase oder Stäube befinden.** Elektrowerkzeuge erzeugen Funken, die den Staub oder die Dämpfe entzünden können.
- c) **Halten Sie Kinder und andere Personen während der Benutzung des Elektrowerkzeugs fern.** Bei Ablenkung können Sie die Kontrolle über das Gerät verlieren.

2) ELEKTRISCHE SICHERHEIT

- a) **Der Anschlussstecker des Gerätes muss in die Steckdose passen. Der Stecker darf in keiner Weise verändert werden. Verwenden Sie keine Adapterstecker gemeinsam mit schutzgeerdeten**

Geräten. Unveränderte Stecker und passende Steckdosen verringern das Risiko eines elektrischen Schlages.

- b) **Vermeiden Sie Körperkontakt mit geerdeten Oberflächen, wie von Rohren, Heizungen, Herden und Kühlschränken.** Es besteht ein erhöhtes Risiko durch elektrischen Schlag, wenn Ihr Körper geerdet ist.
- c) **Halten Sie das Gerät von Regen oder Nässe fern.** Das Eindringen von Wasser in ein Elektrogerät erhöht das Risiko eines elektrischen Schlages.
- d) **Zweckentfremden Sie das Kabel nicht, um das Gerät zu tragen, aufzuhängen oder um den Stecker aus der Steckdose zu ziehen. Halten Sie das Kabel fern von Hitze, Öl, scharfen Kanten oder sich bewegenden Geräteteilen.** Beschädigte oder verwickelte Kabel erhöhen das Risiko eines elektrischen Schlages.
- e) **Wenn Sie mit einem Elektrowerkzeug im Freien arbeiten, verwenden Sie nur Verlängerungskabel, die auch für den Außenbereich zugelassen sind.** Die Anwendung eines für den Außenbereich geeigneten Verlängerungskabels verringert das Risiko eines elektrischen Schlages.
- f) **Wenn der Betrieb des Elektrowerkzeuges in feuchter Umgebung nicht vermeidbar ist, verwenden Sie einen Fehlerstromschutzschalter.** Der Einsatz eines Fehlerstromschutzschalters vermindert das Risiko eines elektrischen Schlages.

3) SICHERHEIT VON PERSONEN

- a) **Seien Sie aufmerksam, achten Sie darauf, was Sie tun, und gehen Sie mit Vernunft an die Arbeit mit einem Elektrowerkzeug. Benutzen Sie das Gerät nicht, wenn Sie müde sind oder unter dem Einfluss von Drogen, Alkohol oder Medikamenten stehen.** Ein Moment der Unachtsamkeit beim Gebrauch des Gerätes kann zu ernsthaften Verletzungen führen.
- b) **Tragen Sie persönliche Schutzausrüstung und immer eine Schutzbrille.** Das Tragen persönlicher Schutzausrüstung, wie Staubmaske, rutschfeste Sicherheitsschuhe, Schutzhelm oder Gehörschutz, je nach Art und Einsatz des Elektrowerkzeuges, verringert das Risiko von Verletzungen.
- c) **Vermeiden Sie eine unbeabsichtigte Inbetriebnahme. Vergewissern Sie sich, dass das Elektrowerkzeug ausgeschaltet ist, bevor Sie es an die Stromversorgung und/oder den Akku anschließen, es aufnehmen oder tragen.** Wenn Sie beim Tragen des Elektrowerkzeuges den Finger am Schalter haben oder das Gerät eingeschaltet an die Stromversorgung anschließen, kann dies zu Unfällen führen.
- d) **Entfernen Sie Einstellwerkzeuge oder Schraubenschlüssel, bevor Sie das Gerät einschalten.** Ein Werkzeug oder Schlüssel, der sich in einem drehenden Geräteteil befindet, kann zu Verletzungen führen.
- e) **Überschätzen Sie sich nicht. Sorgen Sie für einen sicheren Stand und halten Sie jederzeit das Gleichgewicht.** Dadurch können Sie das Gerät in unerwarteten Situationen besser kontrollieren.
- f) **Tragen Sie geeignete Kleidung. Tragen Sie keine weite Kleidung oder Schmuck. Halten Sie Haare,**

Kleidung und Handschuhe fern von sich bewegenden Teilen. Lockere Kleidung, Schmuck oder lange Haare können von sich bewegenden Teilen erfasst werden.

- g) **Wenn Staubabsaug- und -auffangeinrichtungen montiert werden können, vergewissern Sie sich, dass diese angeschlossen sind und richtig verwendet werden.** Verwendung einer Staubabsaugung verringert Gefährdungen durch Staub.

4) SORGFÄLTIGER UMGANG UND GEBRAUCH VON ELEKTROWERKZEUGEN

- a) **Überlasten Sie das Gerät nicht. Verwenden Sie für Ihre Arbeit das dafür bestimmte Elektrowerkzeug.** Mit dem passenden Elektrowerkzeug arbeiten Sie besser und sicherer im angegebenen Leistungsbereich.

- b) **Benutzen Sie kein Elektrowerkzeug, dessen Schalter defekt ist.** Ein Elektrowerkzeug, das sich nicht mehr ein- oder ausschalten lässt, ist gefährlich und muss repariert werden.

- c) **Ziehen Sie den Stecker aus der Steckdose und/oder entfernen Sie den Akku, bevor Sie Geräteeinstellungen vornehmen, Zubehörteile wechseln oder das Gerät weglegen.** Diese Vorsichtsmaßnahme verhindert den unbeabsichtigten Start des Geräts.

- d) **Bewahren Sie unbenutzte Elektrowerkzeuge außerhalb der Reichweite von Kindern auf. Lassen Sie Personen das Gerät nicht benutzen, die mit diesem nicht vertraut sind oder diese Anweisungen nicht gelesen haben.** Elektrowerkzeuge sind gefährlich, wenn Sie von unerfahrenen Personen benutzt werden.

- e) **Pflegen Sie das Gerät mit Sorgfalt. Kontrollieren Sie, ob bewegliche Geräteteile einwandfrei funktionieren und nicht klemmen, ob Teile gebrochen oder so beschädigt sind, dass die Funktion des Gerätes beeinträchtigt ist. Lassen Sie beschädigte Teile vor dem Einsatz des Geräts reparieren.** Viele Unfälle haben ihre Ursache in schlecht gewarteten Elektrowerkzeugen.

- f) **Halten Sie Schneidwerkzeuge scharf und sauber.** Sorgfältig gepflegte Schneidwerkzeuge mit scharfen Schneidkanten verklemmen sich weniger und sind leichter zu führen.

- g) **Verwenden Sie Elektrowerkzeug, Zubehör, Einsatzwerkzeuge usw. entsprechend diesen Anweisungen. Berücksichtigen Sie dabei die Arbeitsbedingungen und die auszuführende Tätigkeit.** Der Gebrauch von Elektrowerkzeugen für andere als die vorgesehenen Anwendungen kann zu gefährlichen Situationen führen.

5) SERVICE

- a) **Lassen Sie Ihr Gerät nur von qualifiziertem Fachpersonal und nur mit Original-Ersatzteilen reparieren.** Damit wird sichergestellt, dass die Sicherheit des Geräts erhalten bleibt.

SICHERHEITSHINWEISE FÜR SCHLAGBOHRMASCHINEN

ALLGEMEINES

- Der Benutzer dieses Werkzeuges sollte älter als 16 Jahre sein

- **Ziehen Sie grundsätzlich den Netzstecker, bevor Sie beliebige Änderungen an den Einstellungen oder einen Zubehörwechsel vornehmen**

- **Tragen Sie Gehörschutz** (die Einwirkung von Lärm kann Gehörverlust bewirken)

- **Benutzen Sie mit dem Werkzeug gelieferte Zusatzhandgriffe** (der Verlust der Kontrolle kann zu Verletzungen führen)

- Bei Benutzung von Verlängerungskabeln ist darauf zu achten, daß das Kabel vollständig abgerollt ist und eine Kapazität von 16 A hat

- **Bearbeiten Sie kein asbesthaltiges Material** (Asbest gilt als krebserregend)

- Staub von Materialien wie Farbe, die Blei enthält, einigen Holzarten, Mineralien und Metall kann schädlich sein (Kontakt mit oder Einatmen des Staubs kann zu allergischen Reaktionen und/oder Atemwegskrankheiten beim Bediener oder Umstehenden führen); **tragen Sie eine Staubmaske und arbeiten Sie mit einem Staubabsaugungssystem, wenn ein solches angeschlossen werden kann**

- Bestimmte Arten von Staub sind als karzinogen klassifiziert (beispielsweise Eichen- und Buchenholzstaub), insbesondere in Verbindung mit Zusätzen für die Holzverarbeitung; **tragen Sie eine Staubmaske und arbeiten Sie mit einem Staubabsaugungssystem, wenn ein solches angeschlossen werden kann**

- Beachten Sie die für Ihr verwendetes Verbrauchsmaterial gültigen nationalen Staubschutzvorgaben

VOR DER ANWENDUNG

- Stets nachprüfen, daß die Netzspannung mit der auf dem Typenschild des Werkzeuges angegebenen Spannung übereinstimmt (mit 230V oder 240V beschriftete Werkzeuge können auch an 220V betrieben werden)

- Beschädigungen durch Schrauben, Nägel und ähnliches an Ihrem Werkstück vermeiden; diese vor Arbeitsbeginn entfernen

- **Verwenden Sie geeignete Suchgeräte, um verborgene Versorgungsleitungen aufzuspüren, oder ziehen Sie die örtliche Versorgungsgesellschaft hinzu** (Kontakt mit Elektroleitungen kann zu Feuer und elektrischem Schlag führen; Beschädigung einer Gasleitung kann zur Explosion führen; Eindringen in eine Wasserleitung verursacht Sachbeschädigung oder kann einen elektrischen Schlag verursachen)

- **Sichern Sie das Werkstück** (ein mit Spannvorrichtungen oder Schraubstock festgehaltenes Werkstück ist sicherer gehalten als mit der Hand)

- Werkzeug nicht weiter verwenden, wenn das Kabel beschädigt ist; lassen Sie dieses von einem anerkannten Elektrofachmann ersetzen

ZUBEHÖR

- SKIL kann nur dann die einwandfreie Funktion des Werkzeuges zusichern, wenn Original-Zubehör verwendet wird

- Nur Zubehör verwenden, dessen zulässige Drehzahl mindestens so hoch ist wie die höchste Leerlaufdrehzahl des Werkzeuges

WÄHREND DER ANWENDUNG

- Das Kabel immer von umlaufenden Teilen des Werkzeuges fernhalten

- Im Falle des unerwarteten Blockierens des Bohrers (mit einer ruckartigen gefährlichen Reaktion), das Werkzeug sofort abschalten
- **Fassen Sie das Elektrowerkzeug nur an den isolierten Griffflächen, wenn Sie Arbeiten ausführen, bei denen das Zubehör verborgene Stromleitungen oder das eigene Netzkabel treffen kann** (Kontakt mit einer spannungsführenden Leitung setzt auch Metallteile des Elektrowerkzeuges unter Spannung und führt zu einem elektrischen Schlag)
- Bei elektrischer oder mechanischer Fehlfunktion das Werkzeug sofort ausschalten und den Netzstecker ziehen
- Wird bei der Arbeit das Kabel beschädigt oder durchtrennt, Kabel nicht berühren, sondern sofort den Netzstecker ziehen

NACH DER ANWENDUNG

- Sobald Sie sich von Ihrem Werkzeug entfernen, sollte dieses ausgeschaltet werden und die sich bewegenden Teile vollkommen zum Stillstand gekommen sein

BEDIENUNG

- Ein-/Aus-Schalten ④
- Arretierung des Schalters für Dauerlauf ⑤
- Drehzahlregulierung für Sanftanlauf ⑥
- Maximalgeschwindigkeits-Kontrolle ⑦
Mit dem Rad C wird die Maximalgeschwindigkeit von niedrig bis hoch eingestellt
 - das Werkzeug einschalten
 - den Schalter feststellen
 - am Rad C die Maximalgeschwindigkeit verwalten
- Umschalten der Drehrichtung ⑧
 - wenn die links/rechts Position nicht richtig einrastet, kann der Schalter A ② nicht betätigt werden
- **Drehrichtung nur dann umschalten, wenn das Werkzeug vollkommen stillsteht**
- Normales Bohren oder Bohrhämmern ⑨
 - die Anzeige F gibt die gewählte Bohr-Position an
- **! Bohr-Position nur wählen wenn das Werkzeug ausgeschaltet und der Netzstecker gezogen ist**
- Wechseln von Bits ⑩
 - das Bit so tief wie möglich in das Bohrfutter einführen
- **! keine Bits mit beschädigtem Schaft benutzen**
- Einstellen der Bohrtiefe ⑪
- Halten und Führen des Werkzeuges ⑫
 - **! Werkzeug beim Arbeiten immer am grauen Griffbereich fassen**
 - das Werkzeug immer am Seitengriff G ② festhalten (kann laut Darstellung geregelt werden)
 - Lüftungsschlitze J ② unbedeckt halten
 - nicht zu viel Druck auf das Werkzeug ausüben; lassen Sie das Werkzeug für Sie arbeiten

ANWENDUNGSHINWEISE

- Die entsprechenden Bits verwenden ⑬
! nur scharfe Bits verwenden
- Beim Bohren in Beton oder Stein muß ein beständiger Druck auf den Bohrer ausgeübt werden
- Beim Bohren in Metall
 - kleines Loch vorbohren wenn ein größeres Loch benötigt ist
 - Bits gelegentlich mit Öl einfetten

- Splitterfreies Bohren in Holz ⑭
- Staubfreies Bohren in Mauern ⑮
- Staubfreies Bohren in Decken ⑯
- Bohren in Fliesen ohne auszurutschen ⑰
- Für mehr Tips siehe www.skil.com

WARTUNG / SERVICE

- Dieses Werkzeug eignet sich nicht für den professionellen Einsatz
- Halten Sie Werkzeug und Kabel immer sauber (insbesondere die Lüftungsschlitze J ②)
! Netzstecker vor dem Säubern ziehen
- Sollte das Elektrowerkzeug trotz sorgfältiger Herstellungs- und Prüfverfahren einmal ausfallen, ist die Reparatur von einer autorisierten Kundendienststelle für SKIL-Elektrowerkzeuge ausführen zu lassen
 - das Werkzeug **unzerlegt**, zusammen mit dem Kaufbeleg, an den Lieferer oder die nächste SKIL-Vertragswerkstätte senden (die Anschriften so wie die Ersatzteilzeichnung des Werkzeuges finden Sie unter www.skil.com)

UMWELT

- **Elektrowerkzeuge, Zubehör und Verpackungen nicht in den Hausmüll werfen** (nur für EU-Länder)
 - gemäss Europäischer Richtlinie 2002/96/EG über Elektro- und Elektronik- Altgeräte und Umsetzung in nationales Recht müssen nicht mehr gebrauchsfähige Elektrowerkzeuge getrennt gesammelt und einer umweltgerechten Wiederverwertung zugeführt werden
 - hieran soll Sie Symbol ⑱ erinnern

KONFORMITÄTSERKLÄRUNG CE

- Wir erklären in alleiniger Verantwortung, daß das unter "Technische Daten" beschriebene Produkt mit den folgenden Normen oder normativen Dokumenten übereinstimmt: EN 60745, EN 61000, EN 55014, gemäß den Bestimmungen der Richtlinien 2004/108/EG, 2006/42/EG, 2011/65/EU
- **Technische Unterlagen bei:** SKIL Europe BV (PT-SEU/ENG1), 4825 BD Breda, NL

Marijn van der Hoofden
Operations & Engineering

Olaf Dijkgraaf
Approval Manager



SKIL Europe BV, 4825 BD Breda, NL

04.07.2013

GERÄUSCH/VIBRATION

- Gemessen gemäß EN 60745 beträgt der Schalldruckpegel dieses Gerätes 94 dB(A) und der Schalleistungspegel 105 dB(A) (Standardabweichung: 3 dB), und die Vibration * (Hand-Arm Methode; Unsicherheit K = 1,5 m/s²)
 - * beim Bohren in Metall 3,0 m/s²
 - * beim Schlagbohren in Beton 13,2 m/s²
- Die Vibrationsemissionsstufe wurde mit einem standardisierten Test gemäß EN 60745 gemessen; Sie

kann verwendet werden, um ein Werkzeug mit einem anderen zu vergleichen und als vorläufige Beurteilung der Vibrationsexposition bei Verwendung des Werkzeugs für die angegebenen Anwendungszwecke

- die Verwendung des Werkzeugs für andere Anwendungen oder mit anderem oder schlecht gewartetem Zubehör kann die Expositionsstufe erheblich **erhöhen**
- Zeiten, zu denen das Werkzeug ausgeschaltet ist, oder wenn es läuft aber eigentlich nicht eingesetzt wird, können die Expositionsstufe erheblich **verringern**

! schützen Sie sich vor den Auswirkungen der Vibration durch Wartung des Werkzeugs und des Zubehörs, halten Sie Ihre Hände warm und organisieren Sie Ihren Arbeitsablauf

NL

Klopboormachine

6271/6290

INTRODUCTIE

- Deze machine is bestemd voor het klopboren in baksteen, beton en steen en voor het boren in hout, metaal, keramiek en kunststof
- Deze machine is niet bedoeld voor professioneel gebruik
- Lees en bewaar deze gebruiksaanwijzing ③

TECHNISCHE GEGEVENS ①

MACHINE-ELEMENTEN ②

- A Schakelaar voor aan/uit en toerentalregeling
- B Knop voor vastzetten van schakelaar
- C Instelwielje voor maximum-snelheid/koppel
- D Knop voor omschakelen van draairichting
- E Knop voor omschakelen van boorstand
- F Indicatie van gekozen boorstand
- G Extra handgreep
- H Diepteaanslag
- J Ventilatie-openingen

VEILIGHEID

ALGEMENE VEILIGHEIDSVORSCHRIFTEN

⚠ LET OP! Lees alle veiligheidswaarschuwingen en alle voorschriften. Als de waarschuwingen en voorschriften niet worden opgevolgd, kan dit een elektrische schok, brand of ernstig letsel tot gevolg hebben. **Bewaar alle waarschuwingen en voorschriften voor toekomstig gebruik.** Het in de waarschuwingen gebruikte begrip "elektrisch gereedschap" heeft betrekking op elektrische gereedschappen voor gebruik op het stroomnet (met netsnoer) en op elektrische gereedschappen voor gebruik met een accu (zonder netsnoer).

1) VEILIGHEID VAN DE WERKOMGEVING

- a) **Houd uw werkomgeving schoon en opgeruimd.** Een rommelige of onverlichte werkomgeving kan tot ongevallen leiden.

- b) **Werk met het gereedschap niet in een omgeving met explosiegevaar waarin zich brandbare vloeistoffen, gassen of stof bevinden.** Elektrische gereedschappen veroorzaken vonken die het stof of de dampen tot ontsteking kunnen brengen.
- c) **Houd kinderen en andere personen tijdens het gebruik van het elektrische gereedschap uit de buurt.** Wanneer u wordt afgeleid, kunt u de controle over het gereedschap verliezen.

2) ELEKTRISCHE VEILIGHEID

- a) **De aansluitstekker van het gereedschap moet in het stopcontact passen. De stekker mag in geen geval worden veranderd. Gebruik geen adapterstekkers in combinatie met geaarde gereedschappen.** Onveranderde stekkers en passende stopcontacten beperken het risico van een elektrische schok.
- b) **Voorkom aanraking van het lichaam met geaarde oppervlakken, bijvoorbeeld van buizen, verwarmingen, fornuizen en koelkasten.** Er bestaat een verhoogd risico door een elektrische schok wanneer uw lichaam geaard is.
- c) **Houd het gereedschap uit de buurt van regen en vocht.** Het binnendringen van water in het elektrische gereedschap vergroot het risico van een elektrische schok.
- d) **Gebruik de kabel niet voor een verkeerd doel, om het gereedschap te dragen of op te hangen of om de stekker uit het stopcontact te trekken. Houd de kabel uit de buurt van hitte, olie, scherpe randen en bewegende gereedschapsdelen.** Beschadigde of in de war geraakte kabels vergroten het risico van een elektrische schok.
- e) **Wanneer u buitenshuis met elektrisch gereedschap werkt, dient u alleen verlengkabels te gebruiken die voor gebruik buitenshuis zijn goedgekeurd.** Het gebruik van een voor gebruik buitenshuis geschikte verlengkabel beperkt het risico van een elektrische schok.
- f) **Als het gebruik van het elektrische gereedschap in een vochtige omgeving onvermijdelijk is, dient u een aardlekschakelaar te gebruiken.** Het gebruik van een aardlekschakelaar vermindert het risico van een elektrische schok.

3) VEILIGHEID VAN PERSONEN

- a) **Wees alert, let goed op wat u doet en ga met verstand te werk bij het gebruik van het elektrische gereedschap. Gebruik het gereedschap niet wanneer u moe bent of onder invloed staat van drugs, alcohol of medicijnen.** Een moment van onoplettendheid bij het gebruik van het gereedschap kan tot ernstige verwondingen leiden.
- b) **Draag persoonlijke beschermende uitrusting en altijd een veiligheidsbril.** Het dragen van persoonlijke beschermende uitrusting zoals een stofmasker, slipvast werkschoenen, een veiligheidshelm of gehoorbescherming, afhankelijk van de aard en het gebruik van het elektrische gereedschap, vermindert het risico van verwondingen.
- c) **Voorkom per ongeluk inschakelen. Controleer dat het elektrische gereedschap uitgeschakeld is voordat u de stekker in het stopcontact steekt of de accu aansluit en voordat u het gereedschap oppakt**

- of draagt.** Wanneer u bij het dragen van het elektrische gereedschap uw vinger aan de schakelaar hebt of wanneer u het gereedschap ingeschakeld op de stroomvoorziening aansluit, kan dit tot ongevallen leiden.
- d) **Verwijder instelgereedschappen of schroefleutels voordat u het gereedschap inschakelt.** Een instelgereedschap of sleutel in een draaiend deel van het gereedschap kan tot verwondingen leiden.
- e) **Probeer niet ver te reiken. Zorg ervoor dat u stevig staat en steeds in evenwicht blijft.** Daardoor kunt u het gereedschap in onverwachte situaties beter onder controle houden.
- f) **Draag geschikte kleding. Draag geen loshangende kleding of sieraden. Houd haren, kleding en handschoenen uit de buurt van bewegende delen.** Loshangende kleding, sieraden en lange haren kunnen door bewegende delen worden meegenomen.
- g) **Wanneer stofzuigings- of stofvangvoorzieningen kunnen worden gemonteerd, dient u zich ervan te verzekeren dat deze zijn aangesloten en juist worden gebruikt.** Het gebruik van een stofzuiging beperkt het gevaar door stof.
- 4) GEBRUIK EN ONDERHOUD VAN ELEKTRISCHE GEREEDSCHAPPEN**
- a) **Overbelast het gereedschap niet. Gebruik voor uw werkzaamheden het daarvoor bestemde elektrische gereedschap.** Met het passende elektrische gereedschap werkt u beter en veiliger binnen het aangegeven capaciteitsbereik.
- b) **Gebruik geen elektrisch gereedschap waarvan de schakelaar defect is.** Elektrisch gereedschap dat niet meer kan worden in- of uitgeschakeld, is gevaarlijk en moet worden gerepareerd.
- c) **Trek de stekker uit het stopcontact of neem de accu uit het elektrische gereedschap voordat u het gereedschap instelt, toebehoren wisselt of het gereedschap weglegt.** Deze voorzorgsmaatregel voorkomt onbedoeld starten van het gereedschap.
- d) **Bewaar niet-gebruikte elektrische gereedschappen buiten bereik van kinderen. Laat het gereedschap niet gebruiken door personen die er niet mee vertrouwd zijn en deze aanwijzingen niet hebben gelezen.** Elektrische gereedschappen zijn gevaarlijk wanneer deze door onervaren personen worden gebruikt.
- e) **Verzorg het gereedschap zorgvuldig. Controleer of bewegende delen van het gereedschap correct functioneren en niet vastklemmen en of onderdelen zodanig gebroken of beschadigd zijn dat de werking van het gereedschap nadelig wordt beïnvloed. Laat beschadigde delen repareren voordat u het gereedschap gebruikt.** Veel ongevallen hebben hun oorzaak in slecht onderhouden elektrische gereedschappen.
- f) **Houd snijdende inzetgereedschappen scherp en schoon.** Zorgvuldig onderhouden snijdende inzetgereedschappen met scherpe snijkanten klemmen minder snel vast en zijn gemakkelijker te geleiden.
- g) **Gebruik elektrische gereedschappen, toebehoren, inzetgereedschappen en dergelijke volgens deze aanwijzingen. Let daarbij op de arbeidsomstandigheden en de uit te voeren werkzaamheden.** Het gebruik van elektrische

gereedschappen voor andere dan de voorziene toepassingen kan tot gevaarlijke situaties leiden.

5) SERVICE

- a) **Laat het gereedschap alleen repareren door gekwalificeerd en vakkundig personeel en alleen met originele vervangingsonderdelen.** Daarmee wordt gewaarborgd dat de veiligheid van het gereedschap in stand blijft.

VEILIGHEIDSVOORSCHRIFTEN VOOR KLOPBOORMACHINES

ALGEMEEN

- Deze machine mag niet worden gebruikt door personen onder de 16 jaar
- **Trek altijd de stekker uit het stopcontact voordat u een instelling verandert of een accessoire verwisselt**
- **Draag gehoorbescherming** (blootstelling aan lawaai kan gehoorverlies tot gevolg hebben)
- **Gebruik de bij de machine geleverde extra handgrepen** (verlies van controle kan tot verwondingen leiden)
- Gebruik volledig uitgerolde en veilige verlengsnoeren met een capaciteit van 16 Ampère
- **Bewerk geen asbesthoudend materiaal** (asbest geldt als kankerverwekkend)
- Stof van materiaal zoals loodhoudende verf, sommige houtsoorten, mineralen en metaal kunnen schadelijk zijn (contact met of inademing van de stof kan allergische reacties en/of ademhalingsziekten bij gebruiker of omstanders veroorzaken); **draag een stofmasker en werk met een stofvangvoorziening als die kan worden aangesloten**
- Bepaalde soorten stof zijn geclassificeerd als kankerverwekkend (zoals stof van eiken en beuken), met name in combinatie met toevoegingsmiddelen voor houtverzorging; **draag een stofmasker en werk met een stofvangvoorziening als die kan worden aangesloten**
- Neem voor de door u te bewerken materialen de nationale voorschriften aangaande stofvang in acht

VOÓR GEBRUIK

- Controleer altijd of het voltage, dat vermeld staat op het typeplaatje van de machine, overeenkomt met de netspanning (met 230V of 240V aangeduide machines kunnen ook op 220V aangesloten worden)
- Voorkom schade, die kan ontstaan door schroeven, spijkers en andere voorwerpen in uw werkstuk; verwijder deze, voordat u aan een karwei begint
- **Gebruik een geschikt detectieapparaat om verborgen stroom-, gas- of waterleidingen op te sporen of raadpleeg het plaatselijke energie- of waterleidingbedrijf** (contact met elektrische leidingen kan tot brand of een elektrische schok leiden; beschadiging van een gasleiding kan tot een explosie leiden; breuk van een waterleiding veroorzaakt materiële schade en kan tot een elektrische schok leiden)
- **Zet het werkstuk vast** (een werkstuk, dat is vastgezet met klemmen of in een bankschroef, zit steviger vast dan wanneer het met de hand wordt vastgehouden)
- Gebruik de machine niet, wanneer het snoer beschadigd is; laat dit door een erkende vakman vervangen

ACCESSOIRES

- SKIL kan alleen een correcte werking van de machine garanderen, indien originele accessoires worden gebruikt
- Gebruik alleen accessoires met een toegestaan toerental, dat minstens even hoog is als het hoogste onbelaste toerental van de machine

TIJDENS GEBRUIK

- Houd het snoer altijd verwijderd van de bewegende delen van uw machine
- Schakel in geval van onverwacht blokkeren van de boorpunt (met een gevaarlijke schokbeweging als gevolg) de machine onmiddellijk uit
- **Houd het elektrische gereedschap alleen vast aan de geïsoleerde greepvlakken als u werkzaamheden uitvoert waarbij het inzetgereedschap verborgen stroomleidingen of de eigen netkabel kan raken** (contact met een onder spanning staande leiding zet ook de metalen delen van het elektrische gereedschap onder spanning en leidt tot een elektrische schok)
- In geval van elektrische of mechanische storing, de machine onmiddellijk uitschakelen en de stekker uit het stopcontact trekken
- Raak het snoer niet aan, als dit tijdens de werkzaamheden wordt beschadigd of doorgesneden, maar trek onmiddellijk de stekker uit het stopcontact

NA GEBRUIK

- Als u de machine wegzet moet de motor uitgeschakeld zijn en de bewegende delen tot stilstand zijn gekomen

GEBRUIK

- Aan/uit (4)
- Vastzetten van schakelaar voor continu gebruik (5)
- Toerentalregeling voor langzaam starten (6)
- Instelbaar maximum-toerental (7)
Met wiertje C kan een maximum-snelheid van laag tot hoog ingesteld worden
 - zet de machine aan
 - zet de schakelaar vast
 - draai aan wiertje C om de gewenste maximum-snelheid in te stellen
- Omschakelen van draairichting (8)
 - als de omkeerschakelaar niet in de uiterste stand op links/rechts staat, kan schakelaar A (2) niet ingedrukt worden**! schakel de draairichting alleen om als de machine volledig stilstaat**
- Normaal boren of hamerboren (9)
 - indicatie F laat de gekozen boorstand zien**! selecteer de boor-functie alleen als de machine uitgeschakeld is en met de stekker uit het stopcontact**
- Verwisselen van bits (10)
 - plaats bit zo diep mogelijk in de boorkop**! gebruik geen bits met een beschadigde schacht**
- Instellen van boordiepte (11)
- Vasthouden en leiden van de machine (12)
! houd de machine tijdens het werk altijd vast bij het(de) grijs-gekleurde greepvlak(ken)
 - **gebruik altijd zijhandgreep G (2)** (regelbaar zoals afgebeeld)

- houd ventilatie-openingen J (2) onbedekt
- oefen niet te veel druk uit; laat de machine het werk voor u doen

TOEPASSINGSADVIES

- Gebruik de juiste bits (13)
! gebruik uitsluitend scherpe bits
- Voor boren in beton en metselwerk voortdurend druk op de boormachine uitoefenen
- Bij het boren van harde metalen
 - een kleiner gat voorboren, wanneer een groot gat nodig is
 - vet de boorpunt af en toe met olie in
- Splintervrij boren in hout (14)
- Stofvrij boren in muren (15)
- Stofvrij boren in plafonds (16)
- Boren in tegels zonder uitglijden (17)
- Voor meer tips zie www.skil.com

ONDERHOUD / SERVICE

- Deze machine is niet bedoeld voor professioneel gebruik
- Houd machine en snoer altijd schoon (met name de ventilatie-openingen J (2))
! trek de stekker uit het stopcontact vóór het reinigen
- Mocht het elektrische gereedschap ondanks zorgvuldige fabricage- en testmethoden toch defect raken, dient de reparatie te worden uitgevoerd door een erkende klantenservice voor SKIL elektrische gereedschappen
 - stuur de machine **ongedemonteerd**, samen met het aankoopbewijs, naar het verkoopadres of het dichtstbijzijnde SKIL service-station (de adressen evenals de onderdelentekening van de machine vindt u op www.skil.com)

MILIEU

- **Geef electrisch gereedschap, accessoires en verpakkingen niet met het huisvuil mee** (alleen voor EU-landen)
 - volgens de Europese richtlijn 2002/96/EG inzake oude elektrische en elektronische apparaten en de toepassing daarvan binnen de nationale wetgeving, dient afgedankt electrisch gereedschap gescheiden te worden ingezameld en te worden afgevoerd naar een recycle-bedrijf, dat voldoet aan de geldende milieu-eisen
 - symbool (18) zal u in het afdankstadium hieraan herinneren

CONFORMITEITSVERKLARING CE

- Wij verklaren als alleen verantwoordelijke, dat het onder "Technische gegevens" beschreven product voldoet aan de volgende normen of normatieve documenten: EN 60745, EN 61000, EN 55014, overeenkomstig de bepalingen van de richtlijnen 2004/108/EG, 2006/42/EG, 2011/65/EU

- **Technisch dossier bij:** SKIL Europe BV (PT-SEU/ENG1), 4825 BD Breda, NL

Marijn van der Hoofden
Operations & Engineering

Olaf Dijkgraaf
Approval Manager

SKIL Europe BV, 4825 BD Breda, NL

04.07.2013

GELUID/VIBRATIE

- Gemeten volgens EN 60745 bedraagt het geluidsdrukniveau van deze machine 94 dB(A) en het geluidsvermogen-niveau 105 dB(A) (standaard deviatie: 3 dB), en de vibratie * (hand-arm methode; onzekerheid $K = 1,5 \text{ m/s}^2$)
 - * bij het boren in metaal $3,0 \text{ m/s}^2$
 - * bij het klopboren in beton $13,2 \text{ m/s}^2$
 - Het trillingsemissieniveau is gemeten in overeenstemming met een gestandaardiseerde test volgens EN 60745; deze mag worden gebruikt om twee machines met elkaar te vergelijken en als voorlopige beoordeling van de blootstelling aan trilling bij gebruik van de machine voor de vermelde toepassingen
 - gebruik van de machine voor andere toepassingen, of met andere of slecht onderhouden accessoires, kan het blootstellingsniveau aanzienlijk **verhogen**
 - wanneer de machine is uitgeschakeld of wanneer deze loopt maar geen werk verricht, kan dit het blootstellingsniveau aanzienlijk **reduceren**
- ! bescherm uzelf tegen de gevolgen van trilling door de machine en de accessoires te onderhouden, uw handen warm te houden en uw werkwijze te organiseren**

S

Slagborrmaskin

6271/6290

INTRODUKTION

- Maskinen är avsedd för slagborrning i tegel, betong och sten samt för borring i trä, metall, keramik och plast
- Det här verktyget är inte avsedd för yrkesmässig användning
- Läs och spara denna instruktionsbok ③

TEKNISKA DATA ①

VERKTYGSELEMENT ②

- A Strömbrytare för till/från och varvtalsreglering
- B Knapp för låsning av strömbrytare
- C Ratt för justering av maximalvarvtale
- D Omkopplare för reversering av rotationsriktningen
- E Omkopplare för utväljande av borr-system
- F Indikator för vald borrhjulsfunktion
- G Hjälpbandtag
- H Djupmätt
- J Ventilationsöppningar

SÄKERHET

ALLMÄNNA SÄKERHETSANVISNINGAR

⚠ OBS! Läs noga igenom alla anvisningar. Fel som uppstår till följd av att anvisningarna nedan inte följts kan orsaka elstöt, brand och/eller allvarliga kroppsskador. **Förvara alla varningar och anvisningar för framtida bruk.** Nedan använt begrepp "elverktyg" hänför sig till nätdrivna elverktyg (med nätsladd) och till batteridrivna elverktyg (sladdlösa).

1) ARBETSPLATSSÄKERHET

- Håll arbetsplatsen ren och välbelyst.** Oordning på arbetsplatsen eller dåligt belyst arbetsområde kan leda till olyckor.
- Använd inte elverktyget i explosionsfarlig omgivning med brännbara vätskor, gaser eller damm.** Elverktygerna alstrar gnistor som kan antända dammet eller gaserna.
- Håll under arbetet med elverktyget barn och obehöriga personer på betryggande avstånd.** Om du störs av obehöriga personer kan du förlora kontrollen över elverktyget.

2) ELEKTRISK SÄKERHET

- Elverktygets stickpropp måste passa till vägguttaget. Stickproppen får absolut inte förändras. Använd inte adapterkontakter tillsammans med skyddsjordade elverktyg.** Oförändrade stickproppar och passande vägguttag reducerar risken för elektriskt slag.
- Undvik kroppskontakt med jordade ytor som t. ex. rör, värmeelement, spisar och kylskåp.** Det finns en större risk för elektriskt slag om din kropp är jordad.
- Skydda elverktyget mot regn och väta.** Tränger vatten in i ett elverktyg ökar risken för elektriskt slag.
- Missbruka inte nätsladden och använd den inte för att bära eller hänga upp elverktyget och inte heller för att dra stickproppen ur vägguttaget. Håll nätsladden på avstånd från värme, olja, skarpa kanter och rörliga maskindelar.** Skadade eller tilltrasslade ledningar ökar risken för elektriskt slag.
- När du arbetar med ett elverktyg utomhus använd endast förlängningssladdar som är godkända för utomhusbruk.** Om en lämplig förlängningssladd för utomhusbruk används minskar risken för elektriskt slag.
- Använd en jordfelsbrytare om det inte är möjligt att undvika elverktygets användning i fuktig miljö.** Genom att använda en jordfelsbrytare minskas risken för elstöt.

3) PERSONSÄKERHET

- Var uppmärksam, kontrollera vad du gör och använd elverktyget med förnuft. Använd inte elverktyget när du är trött eller om du är påverkad av droger, alkohol eller mediciner.** Under användning av elverktyg kan även en kort uppmärksamhet leda till allvarliga kroppsskador.
- Bär alltid personlig skyddsutrustning och skyddsglasögon.** Användning av personlig skyddsutrustning som t. ex. dammfiltermask, halkfria säkerhetsskor, skyddshjälm och hörselskydd reducerar alltefter elverktygets typ och användning risken för kroppsskada.

- c) **Undvik oavsiktlig igångsättning. Kontrollera att elverktiget är fränkopplat innan du ansluter stickproppen till vägguttaget och/eller ansluter/tar bort batteriet, tar upp eller bär elverktiget.** Om du bär elverktiget med fingret på strömställaren eller ansluter påkopplat elverktyg till nätströmmen kan olycka uppstå.
- d) **Ta bort alla inställningsverktyg och skruvnycklar innan du kopplar på elverktiget.** Ett verktyg eller en nyckel i en roterande komponent kan medföra kroppsskada.
- e) **Överskatta inte din förmåga. Se till att du står stadigt och håller balansen.** I detta fall kan du lättare kontrollera elverktiget i oväntade situationer.
- f) **Bär lämpliga kläder. Bär inte löst hängande kläder eller smycken. Håll håret, kläderna och handskarna på avstånd från rörliga delar.** Löst hängande kläder, smycken och långt hår kan dras in av roterande delar.
- g) **Vid elverktyg med dammsugnings- och -uppsamlingsutrustning kontrollera att anordningarna är rätt monterade och används på korrekt sätt.** Användning av dammsugning minskar de risker damm orsakar.
- 4) OMSORGSFULL HANTERING OCH ANVÄNDNING AV ELVERKTYG**
- a) **Överbelasta inte elverktiget. Använd för aktuellt arbete avsett elverktyg.** Med ett lämpligt elverktyg kan du arbeta bättre och säkrare inom angivet effektområde.
- b) **Ett elverktyg med defekt strömställare får inte längre användas.** Ett elverktyg som inte kan kopplas in eller ur är farligt och måste repareras.
- c) **Dra stickproppen ur vägguttaget och/eller ta bort batteriet innan inställningar utförs, tillbehörsdelar byts ut eller elverktiget lagras.** Denna skyddsåtgärd förhindrar oavsiktlig inkoppling av elverktiget.
- d) **Förvara elverktigen oåtkomliga för barn. Låt elverktiget inte användas av personer som inte är förtrogna med dess användning eller inte läst denna anvisning.** Elverktigen är farliga om de används av oerfarna personer.
- e) **Sköt elverktiget omsorgsfullt. Kontrollera att rörliga komponenter fungerar felritt och inte kärvar, att komponenter inte brustit eller skadats; orsaker som kan leda till att elverktigets funktioner påverkas menligt. Låt skadade delar repareras innan elverktiget återanvänds.** Många olyckor orsakas av dåligt skötta elverktyg.
- f) **Håll skärverktigen skarpa och rena.** Omsorgsfullt skötta skärverktyg med skarpa eggar kommer inte så lätt i kläm och går lättare att styra.
- g) **Använd elverktiget, tillbehör, insatsverktyg osv. enligt dessa anvisningar. Ta hänsyn till arbetsvillkoren och arbetsmomenten.** Används elverktiget på icke ändamålsenligt sätt kan farliga situationer uppstå.
- 5) SERVICE**
- a) **Låt elverktiget repareras endast av kvalificerad fackpersonal och med originalreservdelar.** Detta garanterar att elverktigets säkerhet upprätthålls.

SÄKERHETSANVISNINGAR FÖR SLAGBORRMASKINER

ALLMÄNT

- Den här maskinen ska inte användas av personer under 16 år
- **Dra alltid ur stickkontakten från vägguttaget innan du gör någon justering eller byter tillbehör**
- **Bär hörselskydd** (risk finns för att buller leder till hörselskada)
- **Använd verktyget med medlevererade stödhandtag** (förlorad kontroll kan orsaka person skador)
- Använd helt uttrullade och säkra förlängningssladdar med kapacitet på 16 A
- **Asbesthaltigt material får inte bearbetas** (asbest anses vara cancerframkallande)
- Viss typ av damm, exempelvis färg som innehåller bly, vissa träsorter, mineraler och metaller kan vara hälsovådliga om de inhaleras (hudkontakt eller inhalering kan ge allergisk reaktion och/eller luftvägsproblem/ sjukdom hos personer i närheten); **använd andningsskydd och arbeta med en dammuppsamlare om sådan anslutning finns**
- Vissa typer av damm är klassificerade så som carcinogena (t.ex. ek- och björkdamm) särskilt i kombination med tillsatser för träbehandling; **använd andningsskydd och arbeta med en dammuppsamlare om sådan anslutning finns**
- Följ de nationella krav, som finns angående damm, för de material du skall arbeta med

FÖRE ANVÄNDNINGEN

- Kontrollera alltid att den tillförda strömtypen stämmer med spänningen som anges på maskinens märkplåt (maskiner med beteckningen 230V eller 240V kan även anslutas till 220V)
- Undvik skador genom att ta bort skruvar, spikar eller andra föremål ur arbetsstycket; ta dem bort innan du startar ett arbete
- **Använd lämpliga detektorer för lokalisering av dolda försörjningsledningar eller konsultera lokalt distributionsföretag** (kontakt med elledningar kan förorsaka brand och elstöt; en skadad gasledning kan leda till explosion; borring i vattenledning kan förorsaka sakskador eller elstöt)
- **Sätt fast arbetsstycket** (ett arbetsstycke fastsatt med skruvtingar eller i ett skruvståd är mera stabilt än om det hålls fast för hand)
- Använd ej maskinen om sladden är trasig; låt den byta ut av en kvalificerad person

TILLBEHÖR

- SKIL kan endast garantera att maskinen fungerar felritt om originaltillbehör används
- Använd endast tillbehör vilkas tillåtna varvtal åtminstone motsvarar maskinens högsta tomgångsvarvtal

UNDER ANVÄNDNINGEN

- Håll alltid sladden på säkert avstånd från rörliga maskindelar
- Om borr-bit tillfälligt skulle blockera (orsaka en ryckig och farlig reaktion), stäng genast av maskinen
- **Håll fast elverktiget endast vid de isolerade handtagen när arbeten utförs på ställen där insatsverktyget kan skada dolda elledningar eller**

egen nätsladd (om elverktyget kommer i kontakt med en spänningsförande ledning sätts elverktygets metalldelar under spänning som sedan leder till elstöt)

- I händelse av onormala elektriska eller mekaniska störningar, stäng genast av maskinen och dra ur stickkontakten
- Skadas eller kapas nätsladden under arbetet, rör inte vid sladden utan dra genast ut stickkontakten

EFTER ANVÄNDNINGEN

- När du ställer ifrån dig maskinen måste motorn vara fränslagen och de rörliga delarna ska ha stannat fullständigt

ANVÄNDNING

- Till/från ④
- Låsning av strömbrytare för kontinuerlig drift ⑤
- Varvtalsreglering för mjukstart ⑥
- Justering av maximalvarvtalet ⑦
Med ratten C kan maximalvarvtalet justeras steglöst från lågt till högt
 - starta maskinen
 - lås strömbrytaren
 - vrid ratten C för att välja rätt maximalvarvtal
- Reversering av rotationsriktningen ⑧
 - om inte vänster/höger är inställt i rätt läge, kan inte strömbrytaren A ② tryckas in**! ändra rotationsriktningen när maskinen är helt stilla**
- Normal borring eller slagborring ⑨
 - indikatorn F visar vald borrfunktion**! välj borrfunktion endast då maskinen är avstängd och kontakten urdragen**
- Byte av bits ⑩
 - sätt in bitsen så djupt som möjligt i chucken**! använd aldrig bits med trasig axel**
- Justering av borrjupet ⑪
- Fattning och styrning av maskinen ⑫
 - ! under arbetet, håll alltid verktyget i det grå greppet**
 - använd alltid extrahandtaget G ② (kan justeras enligt bilden)
 - håll ventilationsöppningarna J ② ej övertäckta
 - lägg inte för mycket tryck på maskinen; låt maskinen göra arbetet åt dig

ANVÄNDNINGSTIPS

- Använd rätt bits ⑬
 - ! använd endast skarpa bits**
- För borring i betong eller sten krävs ett jämnt tryck på maskinen
- När du borrar i järnmetaller
 - förborra ett mindre hål då ett större behövs
 - olja in boren emellanåt
- Splinterfri borring i trä ⑭
- Dammfri borring i vägg ⑮
- Dammfri borring i tak ⑯
- Borring i kakel utan att slita ⑰
- För fler tips se www.skil.com

UNDERHÅLL / SERVICE

- Det här verktyget är inte avsedd för yrkesmässig användning
- Håll alltid din maskin och sladden ren (speciellt ventilationsöppningarna J ②)
! drag ur stickkontakten innan rengöring
- Om i elverktyget trots exakt tillverkning och sträng kontroll störning skulle uppstå, bör reparation utföras av auktoriserad serviceverkstad för SKIL elverktyg
 - sänd in verktyget i **odemonterat skick** tillsammans med inköpsbevis till försäljaren eller till närmaste SKIL serviceverkstad (adresser till servicestationer och sprängskisser av maskiner finns på www.skil.com)

MILJÖ

- **Elektriska verktyg, tillbehör och förpackning får inte kastas i hushållssoporna** (gäller endast EU-länder)
 - enligt direktivet 2002/96/EG som avser äldre elektrisk och elektronisk utrustning och dess tillämpning enligt nationell lagstiftning ska uttjänta elektriska verktyg sorteras separat och lämnas till miljövänlig återvinning
 - symbolen ⑱ kommer att påminna om detta när det är tid att kassera

FÖRSÄKRAN OM ÖVERENSSTÄMMELSE CE

- Vi försäkrar härmed under exklusivt ansvar att denna produkt som beskrivs i "Tekniska data" överensstämmer med följande normer eller normativa dokument: EN 60745, EN 61000, EN 55014, enligt bestämmelserna i direktiven 2004/108/EG, 2006/42/EG, 2011/65/EU
- **Teknisk tillverkningsdokumentation finns hos:** SKIL Europe BV (PT-SEU/ENG1), 4825 BD Breda, NL

Marijn van der Hoofden
Operations & Engineering

Olaf Dijkstra
Approval Manager

SKIL Europe BV, 4825 BD Breda, NL

04.07.2013

LJUD/VIBRATION

- Ljudtrycksnivån som uppmätts enligt EN 60745 är på denna maskin 94 dB(A) och ljudeffektnivån 105 dB(A) (standard deviation: 3 dB), och vibration * m/s² (hand-arm metod; onoggrannhet K = 1,5 m/s²)
 - * vid borring i metall 3,0 m/s²
 - * vid slagborring i betong 13,2 m/s²
- Vibrationsemissionsvärdet har uppmätts enligt ett standardiserat test i enlighet med EN 60745; detta värde kan användas för att jämföra vibrationen hos olika verktyg och som en ungefärlig uppskattning av hur stor vibration användaren utsätts för när verktyget används enligt det avsedda syftet
 - om verktyget används på ett annat än det avsedda syftet eller med fel eller dåligt underhållna tillbehör kan detta drastiskt öka vibrationsnivån

- når værktøjet stængs av eller är på men inte används, kan detta avsevärt minska vibrationsnivån
- ! **skydda dig mot vibration genom att underhålla verktyget och dess tillbehör, hålla händerna varma och styra upp ditt arbetssätt**

DK

Slagboremaskine

6271/6290

INLEDNING

- Værktøjet er beregnet til slagboring i tegl, beton og sten samt til boring i træ, metal, keramik og kunststof
- Dette værktøj er ikke beregnet til professionelt brug
- Læs og gem denne betjeningsvejledning ③

TEKNISKE DATA ①

VÆRKTØJETS DELE ②

- A Afbryder til tænd/sluk og regulering af omdrejningstal
- B Knap til fastlåsning af afbryderen
- C Hjul til justering af maximal-hastighed
- D Omskifter til ændring af omdrejningsretningen
- E Omskifter for valg af boringsindstilling
- F Indikator for valgt borefunktion
- G Støtkehåndtag
- H Dybdestop
- J Ventilationshuller

SIKKERHED

GENERALE SIKKERHEDSINSTRUKSER

⚠ VIGTIGT! Læs alle advarselshenvisninger og instrukser. I tilfælde af manglende overholdelse af advarselshenvisningerne og instrukserne er der risiko for elektrisk stød, brand og/eller alvorlige kvæstelser. **Opbevar alle advarselshenvisninger og instrukser til senere brug.** Det i advarselshenvisningerne benyttede begreb "el værktøj" refererer til netdrevet el værktøj (med netkabel) og akkudrevet el værktøj (uden netkabel).

1) SIKKERHED PÅ ARBEJDSPLADSEN

- a) **Sørg for, at arbejdsområdet er rent og ryddeligt.** Uorden eller uoplyste arbejdsområder øger faren for uheld.
- b) **Brug ikke maskinen i eksplosionstruede omgivelser, hvor der er brændbare væsker, gasser eller støv.** El-værktøj kan slå gnister, der kan antænde støv eller dampe.
- c) **Sørg for, at andre personer og ikke mindst børn holdes væk fra arbejdsområdet, når maskinen er i brug.** Hvis man distraheres, kan man miste kontrollen over maskinen.

2) ELEKTRISK SIKKERHED

- a) **Maskinens stik skal passe til kontakten. Stikket må under ingen omstændigheder ændres. Brug ikke adapterstik sammen med jordforbundne maskiner.** Uændrede stik, der passer til kontakterne, nedsætter risikoen for elektrisk stød.

- b) **Undgå kropskontakt med jordforbundne overflader som f.eks. rør, radiatorer, komfurer og køleskabe.** Hvis din krop er jordforbundet, øges risikoen for elektrisk stød.

- c) **Maskinen må ikke udsættes for regn eller fugt.**

Indtrængning af vand i maskinen øger risikoen for elektrisk stød.

- d) **Brug ikke ledningen til formål, den ikke er beregnet til (f.eks. må man aldrig bære maskinen i ledningen, hænge maskinen op i ledningen eller rykke i ledningen for at trække stikket ud af kontakten). Beskyt ledningen mod varme, olie, skarpe kanter eller maskindele, der er i bevægelse.** Beskadigede eller udviklede ledninger øger risikoen for elektrisk stød.
- e) **Hvis maskinen benyttes i det fri, må der kun benyttes en forlængerledning, der er godkendt til udendørs brug.** Brug af forlængerledning til udendørs brug nedsætter risikoen for elektrisk stød.

- f) **Hvis det ikke kan undgås at bruge maskinen i fugtige omgivelser, skal der bruges et HFI-relæ.** Brug af et HFI-relæ reducerer risikoen for at få elektrisk stød.

3) PERSONLIG SIKKERHED

- a) **Det er vigtigt at være opmærksom, se, hvad man laver, og bruge maskinen fornuftigt. Man bør ikke bruge maskinen, hvis man er træt, har nydt alkohol eller er påvirket af medicin eller euforiserende stoffer.** Få sekunders uopmærksomhed ved brug af maskinen kan føre til alvorlige personskader.
- b) **Brug beskyttelsesudstyr og hav altid beskyttelsesbriller på.** Brug af sikkerhedsudstyr som f. eks. støvmaske, skridsikkert fodtøj, beskyttelseshjelm eller høreværn afhængig af maskintype og anvendelse nedsætter risikoen for personskader.
- c) **Undgå utilsigtet igangsætning. Kontrollér, at el værktøjet er slukket, før du tilslutter det til strømtilførslen og/eller akkuen, løfter eller bærer det.** Undgå at bære el værktøjet med fingeren på afbryderen og sørg for, at el værktøjet ikke er tændt, når det slutes til nettet, da dette øger risikoen for personskader.
- d) **Fjern indstillingsværktøj eller skruenøgle, inden maskinen tændes.** Hvis et stykke værktøj eller en nøgle sidder i en roterende maskindel, er der risiko for personskader.
- e) **Overvurder ikke dig selv. Sørg for at stå sikkert, mens der arbejdes, og kom ikke ud af balance.** Det er derved nemmere at kontrollere maskinen, hvis der skulle opstå uventede situationer.
- f) **Brug egnet arbejdstøj. Undgå løse beklædningsgenstande eller smykker. Hold hår, tøj og handsker væk fra dele, der bevæger sig.** Dele, der er i bevægelse, kan gribe fat i løstsiddende tøj, smykker eller langt hår.
- g) **Hvis støvudsugnings- og opsamlingsudstyr kan monteres, er det vigtigt, at dette tilsluttes og benyttes korrekt.** Brug af en støvopsugning nedsætter risikoen for personskader som følge af støv.

4) OMHYGGE LIG OMGANG MED OG BRUG AF EL-VÆRKTØJ

- a) **Undgå overbelastning af maskinen. Brug altid en maskine, der er beregnet til det stykke arbejde, der**

skal udføres. Med den rigtige maskine arbejder man bedst og mest sikkert inden for det angivne effektområde.

- b) **Brug ikke en maskine, hvis afbryder er defekt.** En maskine, der ikke kan startes og stoppes, er farlig og skal repareres.
 - c) **Træk stikket ud af stikkontakten og/eller fjern akken, inden maskinen indstilles, der skiftes tilbehørsdele, eller maskinen lægges fra.** Disse sikkerhedsforanstaltninger forhindrer utilsigtet start af maskinen.
 - d) **Opbevar ubenyttet el-værktøj uden for børns rækkevidde. Lad aldrig personer, der ikke er fortrolige med maskinen eller ikke har gennemlæst disse instrukser, benytte maskinen.** El-værktøj er farligt, hvis det benyttes af ukyndige personer.
 - e) **Maskinen bør vedligeholdes omhyggeligt. Kontroller, om bevægelige dele fungerer korrekt og ikke sidder fast, og om delene er brækket eller beskadiget, således at maskinens funktion påvirkes. Få beskadigede dele repareret, inden maskinen tages i brug.** Mange uheld skyldes dårligt vedligeholdte maskiner.
 - f) **Sørg for, at skæreværktøjer er skarpe og rene.** Omhyggeligt vedligeholdt skæreværktøjer med skarpe skærekanter sætter sig ikke så hurtigt fast og er nemmere at føre.
 - g) **Brug el-værktøj, tilbehør, indsatsværktøj osv. iht. disse instrukser. Tag hensyn til arbejdsforholdene og det arbejde, der skal udføres.** I tilfælde af anvendelse af værktøjet til formål, som ligger uden for det fastsatte anvendelsesområde, kan der opstå farlige situationer.
- 5) SERVICE**
- a) **Sørg for, at maskinen kun reparerer af kvalificerede fagfolk, og at der kun benyttes originale reservedele.** Dermed sikres størst mulig maskinsikkerhed.

SIKKERHEDSINSTRUKSER FOR SLAGBOREMASKINE

GENERELT

- Dette værktøj må ikke bruges af personer under 16 år
- **Fjern altid først stikket fra kontakten, førend De foretager nogle ændringer eller skifter tilbehør**
- **Brug høreværn** (støjpåvirkning kan føre til tab af hørelse)
- **Brug de ekstra håndgreb, der følger med værktøjet** (manglende kontrol kan forårsage personlige skader)
- Anvend helt udrullede og sikre forlængerledninger med en kapacitet på 16 A
- **Bearbejd ikke asbestholdigt materiale** (asbest er kræftfremkaldende)
- Støv fra materiale som f.eks. maling, der indeholder bly, nogle træsorter, mineraler og metal kan være skadeligt (kontakt med eller indånding af støvet kan forårsage allergiske reaktioner og/eller sygdomme i luftvejene hos den, der anvender værktøjet, eller hos omkringstående); **bær en støvmaske og arbejd med en støvudsugningsanordning, hvor en sådan kan sluttes til**
- Visse slags støv er klassificeret som kræftfremkaldende (som f.eks. støv fra eg og bøg) især i forbindelse med tilsætningsstoffer til træbehandling; **bær en støvmaske**

og arbejd med en støvudsugningsanordning, hvor en sådan kan sluttes til

- Følg de nationale krav, hvad angår støv, for de materialer, du ønsker at arbejde med

INDEN BRUG

- Kontrollér altid at forsyningsspændingen er den samme som den spænding, der er anført på værktøjets navneskilt (værktøj med betegnelsen 230V eller 240V kan også tilsluttes til 220V)
- Undgå skader forårsaget af skruer, søm eller andre materialer i arbejdsstykket; fjern disse før De begynder at arbejde
- **Anvend egnede søgeinstrumenter til at finde frem til skjulte forsyningsledninger eller kontakt det lokale forsyningselskab** (kontakt med elektriske ledninger kan føre til brand og elektrisk stød; beskadigelse af en gasledning kan føre til eksplosion; brud på et vandrør kan føre til materiel skade eller elektrisk stød)
- **Fastgør emnet** (det er sikrere at holde emner i en fastgøringsanordning eller skruestik end med hånden)
- Brug ikke værktøjet, hvis kablet er beskadiget; få det skiftet ud af en anerkendt fagmand

TILBEHØR

- SKIL kan kun sikre en korrekt funktion af værktøjet, hvis der benyttes originalt tilbehør
- Der må kun benyttes tilbehør, hvis godkendte omdrejningstal er mindst så højt som værktøjets max. omdrejningstal i ubelastet tilstand

UNDER BRUG

- Hold altid ledningen væk fra værktøjets bevægelige dele
- Hvis boret blokerer uventet (førende til en rykagtig farlig reaktion), skal værktøjet straks afbrydes
- **Hold altid kun el-værktøjet i de isolerede gribeblader, når du udfører arbejde, hvor indsatsværktøjet kan ramme bøjede strømledninger eller værktøjets eget kabel** (kontakt med en spændingsførende ledning sætter også metaldele under spænding, hvilket fører til elektrisk stød)
- I tilfælde af elektrisk eller mekanisk fejlfunktion skal afbryderen straks afbrydes og stikket tages ud af kontakten
- Hvis kablet beskadiges eller skæres over under arbejdet, ikke berør kablet, og straks træk ud stikket

EFTER BRUG

- Efter endt arbejde skal afbryderen afbrydes og alle bevægelige dele være stoppet før værktøjet sættes til side

BETJENING

- Tænd/sluk ④
 - Fastlåsning af afbryderen til vedvarende drift ⑤
 - Regulering af omdrejningstal til blød start ⑥
 - Justering af maksimal-hastighed ⑦
- Ved hjælp af hjulet C kan maksimalhastigheden justeres trinløst fra lav til høj
- tænd værktøjet
 - lås strømbrytaren
 - drej hjulet C til den ønskede maximal-hastighed er opnået

- Ændring af omdrejningsretningen ⑧
 - afbryderen A ② kan ikke aktiveres, hvis retningsskifteren ikke er indstillet korrekt
 - ! **brug kun omdrejningsretningen når værktøjet er standstødt helt**
- Normal boring eller slagboring ⑨
 - indikator F viser den valgte borefunktion
 - ! **vælg kun borefunktion når værktøjet er slukket og stikket er taget ud af stikkontakten**
- Ombytning af bits ⑩
 - indsæt bit så dybt som muligt i borepatronen
 - ! **brug ikke bits med beskadiget skaft**
- Indstilling af boreedybden ⑪
- Håndtering og styring af værktøjet ⑫
 - ! **under arbejde, hold altid om værktøjet på de grå markerede grebsområde(r)**
 - **anvend altid støttegrebet G ②** (kan justeres som vist)
 - hold ventilationshullerne J ② utildækkede
 - pres ikke for hårdt med værktøjet; lad værktøjet gøre arbejdet for dig

GODE RÅD

- Brug rigtige bits ⑬
 - ! **brug kun skarpe bits**
- Ved boring i beton eller mur bør der bruges et konstant tryk
- Ved boring i metal
 - forbor et mindre hul, når et stort hul skal bores
 - sørg for at smøre boret en gang imellem med olien
- Splintfri boring i træ ⑭
- Støvfri boring i vægge ⑮
- Støvfri boring i lofter ⑯
- Boring i fliser uden udskridning ⑰
- For flere tips se www.skil.com

VEDLIGEHOLDELSE/SERVICE

- Dette værktøj er ikke beregnet til professionelt brug
- Hold værktøjet og ledningen ren (især ventilationshullerne J ②)
 - ! **træk stikket ud før rensning**
- Skulle el værktøjet trods omhyggelig fabrikation og kontrol holde op med at fungere, skal reparationen udføres af et autoriseret serviceværksted for SKIL-elektroværktøj
 - send den **uskilte** værktøjet sammen med et købsbevis til forhandleren eller nærmeste SKIL serviceværksted (adresser og reservedelstegning af værktøjet findes på www.skil.com)

MILJØ

- **Elværktøj, tilbehør og emballage må ikke bortskaffes som almindeligt affald** (kun for EU-lande)
 - i henhold til det europæiske direktiv 2002/96/EF om bortskaffelse af elektriske og elektroniske produkter og gældende national lovgivning, skal brugt elværktøj indsamles separat og bortskaffes på en måde, der skåner miljøet mest muligt
 - symbolet ⑱ erindrer dig om dette, når udskiftning er nødvendig

OVERENSSTEMMELSESERKLÆRING CE

- Vi erklærer under almindeligt ansvar, at det produkt, der er beskrevet under "Tekniske data", er i overensstemmelse med følgende standarder eller normative dokumenter: EN 60745, EN 61000, EN 55014, i henhold til bestemmelserne i direktiverne 2004/108/EF, 2006/42/EF, 2011/65/EU
- **Teknisk dossier hos:** SKIL Europe BV (PT-SEU/ENG1), 4825 BD Breda, NL

Marijn van der Hoofden Olaf Dijkgraaf
Operations & Engineering Approval Manager




SKIL Europe BV, 4825 BD Breda, NL

04.07.2013

STØJ/VIBRATION

- Måles efter EN 60745 er lydtrykniveau af dette værktøj 94 dB(A) og lydeffektniveau 105 dB(A) (standard deviation: 3 dB), og vibrationsniveauet * m/s² (hånd-arm metoden; usikkerhed K = 1,5 m/s²)
 - * ved boring i metal 3,0 m/s²
 - * ved slagboring i beton 13,2 m/s²
- Det vibrationsniveau er målt i henhold til den standardiserede test som anført i EN 60745; den kan benyttes til at sammenligne to stykker værktøj og som en foreløbig bedømmelse af udsættelsen for vibrationer, når værktøjet anvendes til de nævnte formål
 - anvendes værktøjet til andre formål eller med andet eller dårligt vedligeholdet tilbehør, kan dette **øge** udsættelsesniveauet betydeligt
 - de tidsrum, hvor værktøjet er slukket, eller hvor det kører uden reelt at udføre noget arbejde, kan **reducere** udsættelsesniveauet betydeligt
- ! **beskyt dig selv imod virkningerne af vibrationer ved at vedligeholde værktøjet og dets tilbehør, ved at holde dine hænder varme og ved at organisere dine arbejdsmønstre**

N

Slagbormaskin

6271/6290

INTRODUKSJON

- Dette verktøyet er beregnet til slagboring i murstein, betong og stein, og dessuten til boring i tre, metall, keramikk og kunststoff
- Dette verktøyet er ikke beregnet på profesjonell bruk
- Les og ta vare på denne brukerveiledningen ③

TEKNISKE DATA ①

VERKTØYELEMENTER ②

- A Bryter til av/på og turtallsregulering
- B Knapp til låsing av bryteren

- C Hjul for maksimumshastighetsregulering
- D Bryter til endring av dreieretning
- E Bryter til valg av borefunksjon
- F Indikator for valgt borefunksjon
- G Støttehåndtak
- H Dybdemåler
- J Ventilasjonsåpninger

SIKKERHET

GENERELLE SIKKERHETSANVISNINGER

⚠ OBS! Les gjennom alle advarslene og anvisningene.

Feil ved overholdelsen av advarslene og nedenstående anvisninger kan medføre elektriske støt, brann og/eller alvorlige skader. **Ta godt vare på alle advarslene og informasjonene.** Det nedenstående anvendte uttrykket "elektroverktøy" gjelder for strømdrevne elektroverktøy (med ledning) og batteridrevne elektroverktøy (uten ledning).

1) SIKKERHET PÅ ARBEIDSPLASSEN

- a) **Hold arbeidsområdet rent og ryddig.** Rotete arbeidsområder eller arbeidsområder uten lys kan føre til ulykker.
- b) **Ikke arbeid med maskinen i eksplosjonsutsatte omgivelser – der det befinner seg brennbare væsker, gass eller støv.** Elektroverktøy lager gnister som kan antenne støv eller damper.
- c) **Hold barn og andre personer unna når elektroverktøyet brukes.** Hvis du blir forstyrret under arbeidet, kan du miste kontrollen over maskinen.

2) ELEKTRISK SIKKERHET

- a) **Støpselet til maskinen må passe inn i stikkkontakten. Støpselet må ikke forandres på noen som helst måte. Ikke bruk adapterstøpsler sammen med jordede maskiner.** Bruk av støpsler som ikke er forandret på og passende stikkontakter reduserer risikoen for elektriske støt.
- b) **Unngå kroppskontakt med jordede overflater slik som rør, ovner, komfyrer og kjøleskap.** Det er større fare ved elektriske støt hvis kroppen din er jordet.
- c) **Hold maskinen unna regn eller fuktighet.** Dersom det kommer vann i et elektroverktøy, øker risikoen for elektriske støt.
- d) **Ikke bruk ledningen til andre formål, f.eks. til å bære maskinen, henge den opp eller trekke den ut av stikkkontakten. Hold ledningen unna varme, olje, skarpe kanter eller maskindeler som beveger seg.** Med skadede eller opphopede ledninger øker risikoen for elektriske støt.
- e) **Når du arbeider utendørs med et elektroverktøy, må du kun bruke en skjøteledning som er godkjent til utendørs bruk.** Når du bruker en skjøteledning som er egnet for utendørs bruk, reduseres risikoen for elektriske støt.
- f) **Hvis det ikke kan unngås å bruke elektroverktøyet i fuktige omgivelser, må du bruke en jordfeilbryter.** Bruk av en jordfeilbryter reduserer risikoen for elektriske støt.

3) PERSONSIKKERHET

- a) **Vær oppmerksom, pass på hva du gjør, gå fornuftig frem når du arbeider med et elektroverktøy. Ikke**

bruk maskinen når du er trett eller er påvirket av narkotika, alkohol eller medikamenter. Et øyeblikks uoppmerksomhet ved bruk av maskinen kan føre til alvorlige skader.

- b) **Bruk personlig verneutstyr og husk alltid å bruke vernebriller.** Bruk av personlig sikkerhetsutstyr som støvmaske, sklifaste arbeidssko, hjelm eller hørselvern – avhengig av type og bruk av elektroverktøyet – reduserer risikoen for skader.
 - c) **Unngå å starte verktøyet ved en feiltagelse. Forviss deg om at elektroverktøyet er slått av før du kobler det til strømmen og/eller batteriet, løfter det opp eller bærer det.** Hvis du holder fingeren på bryteren når du bærer elektroverktøyet eller kobler elektroverktøyet til strømmen i innkoblet tilstand, kan dette føre til uhell.
 - d) **Fjern innstillingsverktøy eller skrunøkler før du slår på elektroverktøyet.** Et verktøy eller en nøkkel som befinner seg i en roterende maskindel, kan føre til skader.
 - e) **Ikke overvurder deg selv. Sorg for å stå stadig og i balanse.** Dermed kan du kontrollere maskinen bedre i uventede situasjoner.
 - f) **Bruk alltid egnede klær. Ikke bruk vide klær eller smykker. Hold hår, tøy og hansker unna deler som beveger seg.** Løst sittende tøy, smykker eller langt hår kan komme inn i deler som beveger seg.
 - g) **Hvis det kan monteres støvavsug- og oppsamlingsinnretninger, må du forvisse deg om at disse er tilkoblet og brukes på korrekt måte.** Bruk av et støvavsug reduserer faren på grunn av støv.
- #### 4) AKTSOM HÅNDTERING OG BRUK AV ELEKTROVERKTØY
- a) **Ikke overbelast maskinen. Bruk et elektroverktøy som er beregnet til den type arbeid du vil utføre.** Med et passende elektroverktøy arbeider du bedre og sikrere i det angitte effektområdet.
 - b) **Ikke bruk elektroverktøy med defekt på-/avbryter.** Et elektroverktøy som ikke lenger kan slås av eller på, er farlig og må repareres.
 - c) **Trekkløstøpelet ut av stikkkontakten og/eller fjern batteriet før du utfører innstillinger på elektroverktøyet, skifter tilbehørsdeler eller legger maskinen bort.** Disse tiltakene forhindrer en utilsiktet startung av maskinen.
 - d) **Elektroverktøy som ikke er i bruk må oppbevares utilgjengelig for barn. Ikke la maskinen brukes av personer som ikke er fortrolig med dette eller ikke har lest disse anvisningene.** Elektroverktøy er farlige når de brukes av uerfarne personer.
 - e) **Vær nøye med vedlikeholdet av maskinen. Kontroller om bevegelige maskindeler fungerer feilfritt og ikke klemmes fast, og om deler er brukket eller skadet, slik at dette innvirker på maskinens funksjon. La skadede deler repareres før maskinen brukes.** Dårlig vedlikeholdte elektroverktøy er årsaken til mange uhell.
 - f) **Hold skjæreverktøyene skarpe og rene.** Godt stelte skjæreverktøy med skarpe skjær setter seg ikke så ofte fast og er lettere å føre.
 - g) **Bruk elektroverktøy, tilbehør, verktøy osv. i henhold til disse anvisningene. Ta hensyn til arbeidsforholdene og arbeidet som skal utføres.**

Bruk av elektroverktøy til andre formål enn det som er angitt kan føre til farlige situasjoner.

5) SERVICE

- a) **Maskinen din skal alltid kun repareres av kvalifisert fagpersonale og kun med originale reservedeler.**
Slik opprettholdes maskinens sikkerhet.

SIKKERHETSANVISNINGER FOR SLAGBORMASKINER

GENERELL

- Verktøyet må ikke brukes av personer under 16 år
- **Ta alltid ut kontakten før du forandrer innstillinger på sagen eller skifter tilbehør**
- **Bruk hørselvern** (innvirkning av støy kan føre til at man mister hørselen)
- **Bruk ekstrahåndtakene som leveres sammen med verktøyet** (manglende kontroll kan forårsake personlige skader)
- Bruk helt utrullet og sikker skjoteledning med en kapasitet på 16 A
- **Bruk bearbeid asbestholdig material** (asbest kan fremkalle kreft)
- Støv fra materialer som blyholdig maling, visse tresorter, mineraler og metall kan være skadelig (kontakt med eller inhalering av støv kan gi allergiske reaksjoner og/eller sykdommer i åndedretsorganene for brukeren eller personer i nærheten); **bruk støvmaske og arbeid med støvfjerningsutstyr når det er mulig**
- Visse typer støv er klassifisert som kreftfremkallende (som f.eks. støv fra eik og bøk), spesielt sammen med tilsetningsstoffer for trebehandling; **bruk støvmaske og arbeid med støvfjerningsutstyr når det er mulig**
- Følg de nasjonale krav, når det gjelder støv for de materialer du ønsker å arbeide med

FØR BRUK

- Sjekk alltid at tilført spenningen er den samme som oppgitt på verktøyets merkeplate (verktøy som er betegnet med 230V eller 240V kan også koples til et 220V strømuttak)
- Ungå skade p.g.a. skruer, spiker eller andre elementer i arbeidsstykket; fjernes før man starter jobben
- **Bruk egnede detektorer til å finne skjulte strøm-/gass-/vannledninger, eller spør hos det lokale el-/gass-/vannverket** (kontakt med elektriske ledninger kan medføre brann og elektrisk støt; skader på en gassledning kan føre til eksplosjon; inntrenging i en vannledning forårsaker materielle skader og kan medføre elektriske støt)
- **Sett fast arbeidsstykket** (et arbeidsstykke som er sikret med klemmer, sitter sikrere enn om det holdes fast for hånd)
- Bruk ikke verktøyet dersom kabel er skadet; få den skiftet ud af en anerkendt fagmand

TILBEHØR

- SKIL kan kun garantere et feilfritt verktøy dersom original-tilbehør brukes
- Bruk kun tilbehør med et godkjent turtall som er minst like høyt som verktøyets høyeste tomgangsturtall

UNDER BRUK

- Hold alltid kablen borte fra bevegelige deler på verktøyet
- Hvis boret plutselig skulle blokkere (førende til en rykkagtig farlig reaksjon), slå øyeblikkelig av bryteren

- **Ta kun tak i elektroverktøyet på de isolerte gripeflatene, hvis du utfører arbeid der innsatsverktøyet kan treffe på skjulte strømledninger eller den egne strømledningen** (kontakt med en spenningsførende ledning setter også elektroverktøyets metalldeleer under spenning og fører til elektriske støt)
 - I tilfelle en elektrisk eller mekanisk svikt, skal verktøyet med en gang slås av og støpset trekkes ut
 - Hvis kablen skades eller kappes under arbeid må kablen ikke berøres, men støpset straks trekkes ut
- ### ETTER BRUK
- Når du setter bort verktøyet må bryteren slås av, bevegelige deler må være helt stoppet

BRUK

- Av/på ④
- Låsning av bryteren for permanent drift ⑤
- Turtallsregulering for myk-start ⑥
- Variabel maksimumshastighet ⑦
Maksimumshastighet kan justeres trinnløs fra lav til høy med hjelp av hjulet C
 - slå på verktøyet
 - lås bryteren
 - vri hjulet C for å velge den ønskede maksimumshastighet
- Endring av dreieretning ⑧
 - hvis ikke retningshendelen er riktig satt i venstre/høyre posisjon, sperres bryteren A ②
- **! endre bare dreieretning når verktøyet er helt stillestående**
- Normal boring contra slagboring ⑨
 - indikator F viser den valgte borefunksjonen
- **! velg borefunksjon når verktøyet er slått av og støpset trukket ut av kontakten**
- Bytting av bits ⑩
 - sett bit så dybt som mulig inn i chucken
- **! bruk aldri bit med skadet tange**
- Justering av boredybden ⑪
- Grep og styring av verktøyet ⑫
 - **! under arbeid, hold verktøyet alltid i grått(gråe) grepsområde(r)**
 - **bruk alltid sidehåndtaket G ②** (kan justeres som vist)
 - hold ventilasjonsåpningen J ② utildekket
 - ikke utøv for meget press på verktøyet; la verktøyet gjøre jobben for deg

BRUKER TIPS

- Bruk riktig bits ⑬
 - **! bruk alltid skarpt bits**
- For boring i betong eller sten er det nødvendig med et jevnt press på drillen
- Ved boring i jernholdige metaller
 - bor først et lite hull, når et stort hull er krevet
 - smør boret av og til med olje
- Splinterfri boring i tre ⑭
- Støvfri boring i vegger ⑮
- Støvfri boring i tak ⑯
- Boring i fliser uten skli ⑰
- Se flere tips på www.skil.com

VEDLIKEHOLD / SERVICE

- Dette verktøyet er ikke beregnet på profesjonell bruk
- Hold alltid verktøyet og kabelen ren (spesielt ventilasjonshullene J (2))
- ! **dra ut støpselet før rengjøring**
- Hvis elektroverktøyet til tross for omhyggelige produksjons- og kontrollmetoder en gang skulle svikte, må reparasjonen utføres av et autorisert serviceverksted for SKIL-elektroverktøy
- send verktøyet i **montert** tilstand sammen med kjøpebevis til forhandleren eller nærmeste SKIL servicesenter (adresser liksom service diagram av verktøyet finner du på www.skil.com)

MILJØ

- **Kast aldri elektroverktøy, tilbehør og emballasje i husholdningsavfallet** (kun for EU-land)
- i henhold til EU-direktiv 2002/96/EF om kasserte elektriske og elektroniske produkter og direktivets iverksetting i nasjonal rett, må elektroverktøy som ikke lenger skal brukes, samles separat og returneres til et miljøvennlig gjenvinningsanlegg
- symbolet (18) er påtrykt som en påminnelse når utskifting er nødvendig

SAMSVARERKLÆRING CE

- Vi erklærer som eneansvarlig at produktet som beskrives under "Tekniske data" stemmer overens med følgende normer eller normative dokumenter: EN 60745, EN 61000, EN 55014, jf. bestemmelsene i direktivene 2004/108/EF, 2006/42/EF, 2011/65/EU
- **Tekniske underlag hos:** SKIL Europe BV (PT-SEU/EN61), 4825 BD Breda, NL

Marijn van der Hoofden
Operations & Engineering

Olaf Dijkgraaf
Approval Manager

SKIL Europe BV, 4825 BD Breda, NL

04.07.2013

STØY/VIBRASJON

- Målt ifølge EN 60745 er lydtryknivået av dette verktøyet 94 dB(A) og lydstyrkenivået 105 dB(A) (standard deviasjon: 3 dB), og vibrasjonsnivået * m/s² (hånd-arm metode; usikkerhet K = 1,5 m/s²)
- * ved boring i metall 3,0 m/s²
- * ved slagboring i betong 13,2 m/s²
- Det avgitte vibrasjonsnivået er blitt målt i samsvar med en standardisert test som er angitt i EN 60745; den kan brukes til å sammenligne et verktøy med et annet, og som et foreløpig overslag over eksponering for vibrasjoner ved bruk av verktøyet til de oppgavene som er nevnt
- bruk av verktøyet til andre oppgaver, eller med annet eller mangelfullt vedlikeholdt utstyr, kan gi en vesentlig **økning** av eksponeringsnivået

- tidsrommene når verktøyet er avslått eller når det går men ikke arbeider, kan gi en vesentlig **reduksjon** av eksponeringsnivået
- ! **beskytt deg selv mot virkningene av vibrasjoner ved å vedlikeholde verktøyet og utstyret, holde hendene varme og organisere arbeidsmåten din**

FIN

Iskuporakone

6271/6290

ESITTELY

- Koneet on tarkoitettu iskuporaukseen tilleen, betoniin ja kiveen sekä poraamiseen puuhun, metalliin, keramiikkaan ja muoviin
- Tämä työkalua ei ole tarkoitettu ammattikäyttöön
- Lue ja säilytä tämä ohjekirja (3)

TEKNISET TIEDOT (1)

LAITTEEN OSAT (2)

- A On/off- ja nopeudensäätökytkin
- B Kytkimen lukituksen painike
- C Pyörä maksiminopeuden säätämistä varten
- D Kytkin pyörintäsuunnan vaihtamiseksi
- E Kytkin poraustoimintoa varten
- F Valitun poraustoiminnon merkki
- G Apukahva
- H Poraussyvyyden rajoitin
- J Ilmanvaihto-aukot

TURVALLISUUS

YLEISET TURVALLISUUSOHJEET

⚠ HUOMIO! Lue kaikki turvallisuus- ja muut ohjeet. Turvallisuusohjeiden noudattamisen laiminlyönti saattaa johtaa sähköiskuhn, tulipaloon ja/tai vakavaan loukkaantumiseen. **Säilytä kaikki turvallisuus- ja muut ohjeet tulevaisuutta varten.** Turvallisuusohjeissa käytetty käsite "sähkötyökalu" käsittää verkkokäyttöisiä sähkötyökaluja (verkkojohdolla) ja akkukäyttöisiä sähkötyökaluja (ilman verkkojohtoa).

1) TYÖPAIKAN TURVALLISUUS

- Pidä työskentelyalue puhtaana ja hyvin valaistuna.** Työpaikan epäjärjestys tai valaisemattomat työalueet voivat johtaa tapaturmiin.
- Älä työskentele sähkötyökalulla räjähdysalttiissa ympäristössä, jossa on palavaa nestettä, kaasua tai pölyä.** Sähkötyökalu muodostaa kipinöitä, jotka saattavat sytyttää pölyn tai höyryt.
- Pidä lapset ja sivulliset loitolla sähkötyökalua käyttäessäsi.** Voit menettää laitteesi hallinnan, huomiosi suuntautuu muualle.

2) SÄHKÖTURVALLISUUS

- Sähkötyökalun pistotulpan tulee sopia pistorasiaan. Pistotulppaa ei saa muuttaa millään tavalla. Älä käytä mitään pistorasia-adaptoreita maadoitettujen sähkötyökalujen kanssa.** Alkuperäisessä kunnossa

- olevat pistotulpat ja sopivat pistorasiat vähentävät sähköiskun vaaraa.
- b) **Vältä koskettamista maadoitettuja pintoja, kuten putkia, pattereita, liesiä tai jääkaappeja.** Sähköiskun vaara kasvaa, jos kehosi on maadoitettu.
 - c) **Älä aseta sähkötyökälyä alttiiksi satelleille tai kosteudelle.** Veden tunkeutuminen sähkötyökälyn sisään kasvattaa sähköiskun riskiä.
 - d) **Älä käytä verkkojohtoa väärin. Älä käytä sitä sähkötyökälyn kantamiseen, vetämiseen tai pistotulpan irrottamiseen pistorasiasta.** Pidä johto loitolla kuumuudesta, öljystä, terävistä reunoista ja liikkuvista osista. Vahingoittuneet tai sotkeutuneet johdot kasvattavat sähköiskun vaaraa.
 - e) **Käyttäessäsi sähkötyökälyä ulkona, käytä ainoastaan ulkokäyttöön soveltuvaa jatkojohtoa.** Ulkokäyttöön soveltuvan jatkojohdon käyttö pienentää sähköiskun vaaraa.
 - f) **Jos sähkötyökälyn käyttö kosteassa ympäristössä ei ole vältettävissä, tulee käyttää maavuotokatkaisijaa.** Maavuotokatkaisijan käyttö vähentää sähköiskun vaaraa.
- ### 3) HENKILÖTURVALLISUUS
- a) **Ole valpas, kiinnitä huomiota työskentelyysi ja noudata tervettä järkeä sähkötyökälyä käyttäessäsi.** Älä käytä sähkötyökälyä, jos olet väsynyt tai huumeiden, alkoholin tai lääkkeiden vaikutuksen alaisena. Hetken tarkkaamattomuus sähkötyökälyä käytettäessä, saattaa johtaa vakavaan loukkaantumiseen.
 - b) **Käytä suojavarusteita. Käytä aina suojalaseja.** Henkilökohtaisen suojavarustuksen käyttö, kuten pölynaamarin, luistamattomien turvakengien, suojakypärän tai kuulonsuojaimien, riippuen sähkötyökälyn lajista ja käyttötavasta, vähentää loukkaantumiskälyä.
 - c) **Vältä tahatonta käynnistämistä. Varmista, että sähkötyökäly on poiskytketty, ennen kuin liität sen sähköverkkoon ja/tai liität akun, otat sen käteen tai kannat sitä.** Jos kannat sähkötyökälyä sormi käynnistyskytkimellä tai kytket sähkötyökälyn pistotulpan pistorasiaan, käynnistyskytkimen ollessa käyntiasennossa, altistat itsesi onnettomuuksille.
 - d) **Poista kaikki säätötyökälyt ja ruuvitalat, ennen kuin käynnistät sähkötyökälyn.** Työkäly tai avain, joka sijaitsee laitteeseen pyörivässä osassa, saattaa johtaa loukkaantumiseen.
 - e) **Älä yliarvioid itseäsi. Huolehdi aina tukevasta seisoma-asennosta ja tasapainosta.** Täten voit paremmin hallita sähkötyökälyä odottamattomissa tilanteissa.
 - f) **Käytä tarkoitukseen soveltuvia vaatteita. Älä käytä löysiä työvaatteita tai koruja. Pidä hiukset, vaatteet ja käsineet loitolla liikkuvista osista.** Välijät vaatteet, korut ja pitkät hiukset voivat takertua liikkuviin osiin.
 - g) **Jos pölynimu- ja keräilylaitteita voidaan asentaa, tulee sinun tarkistaa, että ne on liitettävä ja että ne käytetään oikealla tavalla.** Pölynimulaitteiston käyttö vähentää pölyn aiheuttamia vaaroja.
- ### 4) SÄHKÖTYÖKÄLYJEN KÄYTTÖ JA HOITO
- a) **Älä ylikuormita laitetta. Käytä kyseiseen työhön tarkoitettua sähkötyökälyä.** Sopivaa sähkötyökälyä

- käyttäen työskentelet paremmin ja varmemmin tehoalueella, jolle sähkötyökäly on tarkoitettu.
- b) **Älä käytä sähkötyökälyä, jota ei voida käynnistää ja pysäyttää käynnistyskytkimestä.** Sähkötyökäly, jota ei voida käynnistää ja pysäyttää käynnistyskytkimellä, on vaarallinen ja se täytyy korjata.
 - c) **Irrota pistotulppa pistorasiasta, ennen kuin suoritat säätöjä, vaihdat tarvikkeita tai siirrä sähkötyökälyn varastoitavaksi.** Nämä turvatoimenpiteet pienentävät sähkötyökälyn tahattoman käynnistysriskin.
 - d) **Säilytä sähkötyökäly poissa lasten ulottuvilta, kun niitä ei käytetä. Älä anna sellaisena henkilöiden käyttää sähkötyökälyä, jotka eivät tunne sitä tai jotka eivät ole lukeneet tätä käyttöohjetta.** Sähkötyökälyt ovat vaarallisia, jos niitä käyttävät kokemattomat henkilöt.
 - e) **Hoida sähkötyökälysi huolella. Tarkista, että liikkuvat osat toimivat moitteettomasti, eivätkä ole puristuksessa sekä, että siinä ei ole murtuneita tai vahingoittuneita osia, jotka saattaisivat vaikuttaa haitallisesti sähkötyökälyn toimintaan. Anna korjauttaa mahdollisesti viat ennen käyttöönottoa.** Monen tapaturman syyt löytyvät huonosti huolletuista laitteista.
 - f) **Pidä leikkausterät terävinä ja puhtaina.** Huolellisesti hoidetut leikkaustyökälyt, joiden leikkausreunat ovat teräviä, eivät tartu helposti kiinni ja niitä on helpompi hallita.
 - g) **Käytä sähkötyökälyjä, tarvikkeita, vaihtotyökälyjä jne. näiden ohjeiden mukaisesti. Ota tällöin huomioon työolosuhteet ja suoritettava toimenpide.** Sähkötyökälyn käyttö muuhun kuin sille määrättyyn käyttöön, saattaa johtaa vaarallisiin tilanteisiin.
- ### 5) HUOLTO
- a) **Anna koulutettujen ammattihenkilöiden korjata sähkötyökälysi ja hyväksy korjauksiin vain alkuperäisiä varaosia.** Täten varmistat, että sähkötyökäly säilyy turvallisena.

ISKUPORAKONEEN TURVALLISUUSOHJEET

YLEISTÄ

- Tätä työkalua saavat käyttää vain 16 vuotta täyttäneet henkilöt
- **Irrota aina pistotulppa pistorasiasta, ennen kuin suoritat laitteelle mitään säätöjä tai vaihdat tarviketta**
- **Käytä kuulonsuojainta** (melu saattaa aiheuttaa kuulon menetystä)
- **Käytä työkalun mukana toimitettuja lisäkahvoja** (hallinnan menettäminen saattaa johtaa loukkaantumisiin)
- Käytä täysin rullaamattomia ja turvallisia jatkejohtoja, joiden kapasiteetti on 16 ampeeria
- **Älä koskaan työstä asbestipitoista ainetta** (asbestia pidetään karsinogeenisena)
- Materiaaleista, kuten lijyyppitoinen maali, jotkut puulajit, mineraalit ja metalli, tuleva pöly voi olla vahingollista (kosketuksiin joutuminen pölyn kanssa tai sen sisään hengittäminen voi aiheuttaa käyttäjälle tai sivustakatsojille allergiareaktioita ja/tai hengitysvaijoja); **käytä pölynaamaria ja työskentele pölynpoistolaitteen kanssa, kun sellainen on liitettävissä**

- Tietentyypiset pölyt on luokiteltu karsinogeenisiksi (kuten tammi- ja pyökipöly) erityisesti puun käsittelyyn käytettävien lisäaineiden yhteydessä; **käytä polynaamaria ja työskentele pölynpoistolaiteen kanssa, kun sellainen on liitettävissä**

- Noudata maakohtaisia pölyyn liittyviä sääntöjä

ENNEN KÄYTTÖÄ

- Tarkista aina, että syöttöjännite on sama kuin työkalun nimilaatan osoittama jännite (työkalut, joiden jännitetaso on 230V tai 240V, voidaan kytkeä myös 220V tason jännitteeseen)
- Vältä vaaralliset vahingot, jotka voivat aiheutua nauloista, ruuveista tai muista aineista työstettävässä materiaalissa; poista ne ennen työskentelyä aloittamista
- **Käytä sopivia etsintälaitteita pilossa olevien syöttöjohtojen paikallistamiseksi, tai käänny paikallisen jakeluyltiön puoleen** (kosketus sähköjohtoon saattaa johtaa tulipaloon ja sähköiskuun; kaasuputken vahingoittaminen saattaa johtaa räjähdykseen; vesijohtoon tunkeutuminen aiheuttaa aineellista vahinkoa tai saattaa johtaa sähköiskuun)
- **Kiinnitä työstettävä kappale** (kiinnittimeen tai puristimeen kiinnitetty työstettävä kappale pysyy tukevammin paikoillaan kuin käsin pidettäessä)
- Älä käytä työkalua, kun johto on vioittunut; vaan toimita se valtuutettuun huoltooliikkeeseen

VARUSTEET

- SKIL pystyy takaamaan työkalun moitteettoman toiminnan vain, kun käytetään alkuperäisiä tarvikkeita
- Käytä vain tarvikkeita, joiden sallittu kierrosluku on vähintään yhtä suuri kuin laitteen suurin tyhjäkierrosluku

KÄYTÖN AIKANA

- Pidä johto aina poissa työkalun liikkuvien osien läheisyydestä
- Jos poran terä juuttuu odottamatta (aiheuttaen äkillisen, vaarallisen reaktion), katkaise virta työkalusta välittömästi
- **Tartu sähkötyökaluun ainoastaan eristetyistä pinnoista, tehdessäsi työtä, jossa saattaisit osua pilossa olevaan sähköjohtoon tai sahan omaan sähköjohtoon** (kosketus jännitteeseen johtoon saattaa myös sähkötyökalun metalliosat jännitteisiksi ja johtaa sähköiskuun)
- Jos huomaat sähköisen tai mekaanisen vian, sammuta kone heti ja irrota liitosjohto pistorasiasta
- Jos sähköjohto vahingoittuu tai katkeaa työn aikana ei johtoa saa koskettaa, vaan pistotulppa on välittömästi irrotettava pistorasiasta

KÄYTÖN JÄLKEEN

- Kun panet koneen pois, sammuta moottori ja varmista, että kaikki liikkuvat osat ovat pysähtyneet

KÄYTTÖ

- Käynnistys/pysäytys ④
- Kytkimen lukitseminen jatkuva käyttöä varten ⑤
- Nopeudensäätö tasaista käynnistystä varten ⑥
- Maksiminopeuden säätö ⑦
- Maksiminopeus voidaan säätää portaattomasti alimmasta korkeimpaan säätöpyörästä C
 - käynnistä kone
 - lukitse kytkin
 - valitse maksiminopeus säätöpyörällä C

- Pyörintäsuunnan vaihto ⑧
 - jos säätöä ei ole oikein asetettu vasen/oikea -asentoon, kytkintä A ② ei voi käynnistää
 - ! **muuta pyörintäsuuntaa vain kun työkalu on täysin pysäytetty**
- Normaali poraus verrattuna iskuporaukseen ⑨
 - merkki F ilmaisee valitun poraustoiminnon
 - ! **valitse poraustoiminto vain virran ollessa katkaistuna työkalusta ja kun kosketin on irrotettuna pistorasiasta**
- Kärkien vaihto ⑩
 - aseta kärki mahdollisimman syvälle istukkaan
 - ! **älä käytä kärkiä, joiden varsi on vahingoittunut**
 - Porauspyyvyyden säätö ⑪
 - Koneen pitäminen ja ohjaaminen ⑫
 - ! **pidä työkalusta kiinni aina työskentelyn aikana harmaan värisestä kädensija(o)ista**
 - **käytä aina apukahvaa G ②** (voidaan säätää kuvan osoittamalla tavalla)
 - pidä ilmanvaihto-aukkoja J ② peittämättöminä
 - älä paina työkalua liian voimakkaasti; vaan anna työkalun tehdä työ puolestasi

VINKKEJÄ

- Käytä oikeantyyppisiä kärkiä ⑬
- ! **käytä vain teräviä kärkiä**
- Porattaessa betoniin tai kiveen painetaan konetta tasaisesti
- Porattaessa rautametalleja
 - poraa ensin pienempi esireikä ja jatka sitten isommalla terällä
 - voitele poranterä ajoittain öljyllä
- Repimätön poraus puuhun ⑭
- Pölytön poraus seiniin ⑮
- Pölytön poraus kattoihin ⑯
- Poraus laattoihin luiskauttamatta ⑰
- Lisävinkkejä on tarjolla web-osoitteessa www.skil.com

HOITO / HUOLTO

- Tätä työkalua ei ole tarkoitettu ammattikäyttöön
- Pidä työkalu ja johto puhtaina (varmista erityisesti ilma-aukkojen puhtaus J ②)
- ! **irrota liitosjohto aina puhdistuksen ajaksi pistorasiasta**
- Jos sähkötyökalussa, huolellisesta valmistuksesta ja koestusmenettelystä huolimatta esiintyy vikaa, tulee korjaus antaa SKIL sopimushuollon tehtäväksi
 - toimita työkalu sitä osiin **purkamatta** lähimpään SKIL-huoltoon (osoitteet ja työkalun huoltokaava ovat tarjolla web-osoitteessa www.skil.com) ostotodiste mukaan liitettynä

YMPÄRISTÖNSUOJELU

- **Älä hävitä sähkötyökalua, tarvikkeita tai pakkausta tavallisen kotitalousjätteen mukana** (koskee vain EU-maita)
 - vanhoja sähkö- ja elektroniikkalaitteita koskevan EU-direktiivin 2002/96/ETY ja sen maakohtaisten sovellusten mukaisesti käytetyt sähkötyökalut on

toimitettava ongelmajätteen keräyspisteeseen ja ohjattava ympäristöstävälliseen kierrätykseen

- symboli ⓘ muistuttaa tästä, kun käytöstä poisto tulee ajankohtaiseksi

VAATIMUSTEN- MUKAISUUSVAKUUTUS

- Vakuutamme yksin vastaavamme siitä, että kohdassa "Tekniset tiedot" selostettu tuote vastaa seuraavia standardeja tai standardoituja asiakirjoja: EN 60745, EN 61000, EN 55014 direktiivien 2004/108/EY, 2006/42/EY, 2011/65/EU määräysten mukaan
- **Tekninen tiedosto kohdasta:** SKIL Europe BV (PT-SEU/ENG1), 4825 BD Breda, NL

Marijn van der Hoofden
Operations & Engineering

Olaf Dijkgraaf
Approval Manager

SKIL Europe BV, 4825 BD Breda, NL

04.07.2013

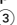
MELUTÄRINÄ

- Mitattuna EN 60745 mukaan työkalun melutaso on 94 dB(A) ja yleensä työkalun äänen voimakkuus on 105 dB(A) (keskihajonta: 3 dB), ja tärinän voimakkuus * m/s² (käsi-käsivarsari metodi; epävarmuus K = 1,5 m/s²)
 - * metalliin porattaessa 3,0 m/s²
 - * betoniin iskuporattaessa 13,2 m/s²
 - Tärinäsaiteilytaso on mitattu standardin EN 60745 mukaisen standarditestin mukaisesti; sitä voidaan käyttää verrattaessa yhtä laitetta toiseen sekä alustavana tärinälle altistumisen arviona käytettäessä laitetta manituissa käyttötarkoituksissa
 - laitteen käyttö eri käyttötarkoituksiin tai erilaisten tai huonosti ylläpidettyjen lisälaitteiden kanssa voi **lisätä** merkittävästi altistumistasoa
 - laitteen ollessa sammuksissa tai kun se on käynnissä, mutta sillä ei tehdä työtä, altistumistaso voi olla huomattavasti **pienempi**
- ! suojaudu tärinän vaikutuksilta ylläpitämällä laite ja sen lisävarusteet, pitämällä kädet lämpiminä ja järjestämällä työmenetelmät**

E

Taladradora percutor 6271/6290

INTRODUCCIÓN

- Esta herramienta ha sido proyectada para taladrar con percusión en ladrillo, hormigón y piedra, así como para taladrar sin percusión en madera, metal, cerámica y materiales sintéticos
- Esta herramienta no está concebida para uso profesional
- Lea y conserve este manual de instrucciones 

DATOS TÉCNICOS

ELEMENTOS DE LA HERRAMIENTA

- A** Interruptor para encendido/apagado y control de velocidad
- B** Botón para bloquear el interruptor
- C** Rueda para regular la velocidad máxima
- D** Interruptor para invertir la dirección de giro
- E** Interruptor para seleccionar la función de taladrado
- F** Indicador de la función seleccionada de taladrado
- G** Empuñadura auxiliar
- H** Tope de profundidad
- J** Ranuras de ventilación

SEGURIDAD

INSTRUCCIONES GENERALES DE SEGURIDAD

⚠ ¡ATENCIÓN! Lea íntegramente estas advertencias de peligro e instrucciones. En caso de no atenerse a las advertencias de peligro e instrucciones siguientes, ello puede ocasionar una descarga eléctrica, un incendio y/o lesión grave. **Guardar todas las advertencias de peligro e instrucciones para futuras consultas.** El término "herramienta eléctrica" empleado en las siguientes advertencias de peligro se refiere a herramientas eléctricas de conexión a la red (con cable de red) y a herramientas eléctricas accionadas por acumulador (o sea, sin cable de red).

1) SEGURIDAD DEL PUESTO DE TRABAJO

- Mantenga limpia y bien iluminada su área de trabajo.** El desorden o una iluminación deficiente en las áreas de trabajo pueden provocar accidentes.
- No utilice la herramienta eléctrica en un entorno con peligro de explosión, en el que se encuentren combustibles líquidos, gases o material en polvo.** Las herramientas eléctricas producen chispas que pueden llegar a inflamar los materiales en polvo o vapores.
- Mantenga alejados a los niños y otras personas de su área de trabajo al emplear la herramienta eléctrica.** Una distracción le puede hacer perder el control sobre la herramienta.

2) SEGURIDAD ELÉCTRICA

- El enchufe de la herramienta debe corresponder a la toma de corriente utilizada. No es admisible modificar el enchufe en forma alguna. No emplear adaptadores en herramientas dotadas con una toma de tierra.** Los enchufes sin modificar adecuados a las respectivas tomas de corriente reducen el riesgo de una descarga eléctrica.
- Evite que su cuerpo toque partes conectadas a tierra como tuberías, radiadores, cocinas y refrigeradores.** El riesgo a quedar expuesto a una descarga eléctrica es mayor si su cuerpo tiene contacto con tomas de tierra.
- No exponga las herramientas eléctricas a la lluvia o a condiciones de humedad.** Existe el peligro de recibir una descarga eléctrica si penetran líquidos en la herramienta.
- No utilice el cable de red para transportar o colgar la herramienta, ni tire de él para sacar el enchufe de la toma de corriente. Mantenga el cable de red alejado del calor, aceite, esquinas cortantes o**

piezas móviles. Los cables de red dañados o enredados pueden provocar una descarga eléctrica.

- e) **Al trabajar con la herramienta eléctrica en la intemperie utilice solamente cables de prolongación homologados para su uso en exteriores.** La utilización de un cable de prolongación adecuado para su uso en exteriores reduce el riesgo de una descarga eléctrica.
- f) **Si el funcionamiento de una herramienta eléctrica en un lugar húmedo fuese inevitable, utilice un cortacircuito de fuga a tierra.** El uso de un cortacircuito de fuga a tierra reduce el riesgo de descarga eléctrica.

3) SEGURIDAD DE PERSONAS

- a) **Esté atento y emplee la herramienta con prudencia. No utilice la herramienta eléctrica si estuviese cansado, ni bajo los efectos de alcohol, drogas o medicamentos.** El no estar atento durante el uso de una herramienta eléctrica puede provocar serias lesiones.
 - b) **Utilice un equipo de protección personal y en todo caso unas gafas de protección.** El riesgo a lesionarse se reduce considerablemente si, dependiendo del tipo y la aplicación de la herramienta eléctrica empleada, se utiliza un equipo de protección adecuado como una mascarilla antipolvo, zapatos de seguridad con suela antideslizante, casco, o protectores auditivos.
 - c) **Evite una puesta en marcha fortuita. Asegurarse de que la herramienta eléctrica esté desconectada antes de conectarla a la toma de corriente y/o al montar el acumulador, al recogerla, y al transportarla.** Si transporta la herramienta eléctrica sujetándola por el interruptor de conexión/desconexión, o si introduce el enchufe en la toma de corriente con la herramienta eléctrica conectada, ello puede dar lugar a un accidente.
 - d) **Retire las herramientas de ajuste o llaves fijas antes de conectar la herramienta eléctrica.** Una herramienta o llave colocada en una pieza rotativa puede producir lesiones graves al accionar la herramienta eléctrica.
 - e) **Sea precavido. Trabaje sobre una base firme y mantenga el equilibrio en todo momento.** Ello le permitirá controlar mejor la herramienta eléctrica en caso de presentarse una situación inesperada.
 - f) **Lleve puesta una vestimenta de trabajo adecuada. No utilice vestimenta amplia ni joyas. Mantenga su pelo, vestimenta y guantes alejados de las piezas móviles.** La vestimenta suelta, las joyas y el pelo largo se pueden enganchar con las piezas en movimiento.
 - g) **Siempre que sea posible utilizar equipos de aspiración o captación de polvo, asegúrese que éstos estén montados y que sean utilizados correctamente.** El empleo de estos equipos reduce los riesgos derivados del polvo.
- ### 4) CUIDADO Y UTILIZACIÓN DE HERRAMIENTAS ELÉCTRICAS
- a) **No sobrecargue la herramienta. Use la herramienta prevista para el trabajo a realizar.** Con la herramienta adecuada podrá trabajar mejor y con mayor seguridad dentro del margen de potencia indicado.
 - b) **No utilice herramientas con un interruptor defectuoso.** Las herramientas que no se puedan conectar o desconectar son peligrosas y deben repararse.
 - c) **Saque el enchufe de la red y/o desmonte el acumulador antes de realizar un ajuste en la**

herramienta eléctrica, cambiar de accesorio o al guardar la herramienta eléctrica. Esta medida

- preventiva reduce el riesgo de conectar accidentalmente la herramienta.
- d) **Guarde las herramientas fuera del alcance de los niños y de las personas que no estén familiarizadas con su uso.** Las herramientas utilizadas por personas inexpertas son peligrosas.
- e) **Cuide sus herramientas con esmero. Controle si funcionan correctamente, sin atascarse, las partes móviles de la herramienta, y si existen partes rotas o deterioradas que pudieran afectar al funcionamiento de la herramienta. Si la herramienta eléctrica estuviese defectuosa haga repararla antes de volver a utilizarla.** Muchos de los accidentes se deben a herramientas con un mantenimiento deficiente.
- f) **Mantenga los útiles limpios y afilados.** Los útiles mantenidos correctamente se dejan guiar y controlar mejor.
- g) **Utilice herramientas eléctricas, accesorios, útiles, etc. de acuerdo con estas instrucciones, teniendo en cuenta las condiciones de trabajo y la tarea a realizar.** El uso de herramientas eléctricas para trabajos diferentes de aquellos para los que han sido concebidas puede resultar peligroso.

5) SERVICIO

- a) **Únicamente haga reparar su herramienta eléctrica por un profesional, empleando exclusivamente piezas de repuesto originales.** Solamente así se mantiene la seguridad de la herramienta eléctrica.

INSTRUCCIONES DE SEGURIDAD PARA TALADROS PERCUTORES

GENERAL

- Esta herramienta no debe utilizarse por personas menores de 16 años
- **Desenchufar siempre la herramienta antes de realizar cualquier ajuste o cambiar algún accesorio**
- **Utilice protectores auditivos** (el ruido intenso puede provocar sordera)
- **Emplee las empuñaduras adicionales suministradas con la herramienta** (la pérdida de control sobre la herramienta puede provocar un accidente)
- Utilice cables de extensión seguros y completamente desenrollados con una capacidad de 16 amperios
- **No trabaje materiales que contengan amianto** (el amianto es cancerígeno)
- El polvo del material, como por ejemplo la pintura que contiene plomo, algunas especies de madera, minerales y metal podrían ser dañinos (el contacto o inhalación del polvo podría producir reacciones alérgicas y/o trastornos respiratorios al operador u otras personas cerca); **utilice una máscara contra el polvo y trabaje con un dispositivo de extracción de polvo cuando lo conecte**
- Ciertos tipos de polvo están catalogados como cancerígenos (por ejemplo el polvo de roble y de haya) especialmente junto con aditivos para el acondicionamiento de la madera; **utilice una máscara contra el polvo y trabaje con un dispositivo de extracción de polvo cuando lo conecte**
- Siga la normativa nacional en cuanto a extracción de polvo, en función de los materiales que vayan a ser utilizados

ANTES DEL USO

- Compruebe siempre que la tensión de alimentación es la misma que la indicada en la placa de características de la herramienta (las herramientas de 230V o 240V pueden conectarse también a 220V)
- Evite los daños que puedan causar los tornillos, clavos y otros objetos sobre la pieza de trabajo; retírelos antes de empezar a trabajar
- **Utilice aparatos de detección adecuados para localizar posibles conductores o tuberías ocultas, o consulte a su compañía abastecedora** (el contacto con conductores eléctricos puede provocar una descarga eléctrica e incluso un incendio; al dañar una tubería de gas puede producirse una explosión; la perforación de una tubería de agua pueden causar daños materiales o una descarga eléctrica)
- **Asegure la pieza de trabajo** (una pieza de trabajo fijada con unos dispositivos de sujeción o en un tornillo de banco, se mantiene sujeta de forma mucho más segura que con la mano)
- No utilizar la herramienta cuando el cable esté dañado; hágalo cambiar por una persona calificada

ACCESORIOS

- SKIL únicamente puede garantizar un funcionamiento correcto de la herramienta al emplear accesorios originales
- Utilice únicamente accesorios cuyo límite de revoluciones permitido sea como mínimo igual a las revoluciones en vacío máximas de la herramienta

DURANTE EL USO

- Mantenga siempre el cable lejos de las partes móviles de la herramienta
- Si la broca se bloquea inesperadamente (causando una brusca y peligrosa reacción), desconectar la herramienta inmediatamente
- **Sujete la herramienta únicamente por las empuñaduras aisladas al realizar trabajos en los que el accesorio pueda tocar conductores eléctricos ocultos o el propio cable de la herramienta** (el contacto con conductores portadores de tensión puede hacer que las partes metálicas de la herramienta le provoquen una descarga eléctrica)
- En el caso de que se produjera un mal funcionamiento eléctrico o mecánico, apague inmediatamente la herramienta y desconecte el enchufe
- Si llega a dañarse o cortarse el cable eléctrico durante el trabajo, no tocar el cable, sino extraer inmediatamente el enchufe de la red

DESPUÉS DEL USO

- Ponga atención al guardar su herramienta de que el motor está apagado y las partes móviles están parados

USO

- Encendido/apagado ④
 - Bloqueo del interruptor para uso permanente ⑤
 - Control de velocidad para un arranque suave ⑥
 - Control de la velocidad máxima ⑦
- Con la rueda C puede regularse, sin escalonamientos, la velocidad máxima desde la posición más baja hasta la más alta
- ponga en marcha la herramienta
 - apriete el interruptor

- gire la rueda C para seleccionar la máxima velocidad
- Inversión de la dirección de giro ⑧
 - si el inversor de giro no está adecuadamente colocado en la posición izquierda/derecha, el interruptor A ② no podrá ser activado
 - ! **sólo invierta la dirección de giro cuando la herramienta esté completamente parada**
- Taladrado sin percusión o taladrado con percusión ⑨
 - el indicador F muestra la función seleccionada de taladrado
 - ! **seleccione sólo la función de taladrado cuando la herramienta está apagada y el enchufe desconectado**
- Cambio de brocas ⑩
 - introduzca la broca lo más profundo posible dentro del portabrocas
 - ! **no utilice brocas con un mago deteriorado**
- Regulación de la profundidad de perforación ⑪
- Sujeción y manejo de la herramienta ⑫
 - ! **durante el trabajo, sujete siempre la herramienta por la(s) zona(s) de empuñadura de color gris**
 - **utilizar siempre el puño auxiliar G ②** (puede ser ajustado de la forma ilustrada)
 - mantenga las ranuras de ventilación J ② descubiertas
 - no ejerza demasiada presión en la herramienta; deje que la herramienta haga su trabajo

CONSEJOS DE APLICACIÓN


- Utilice las brocas adecuadas ⑬
 - ! **utilice únicamente brocas afiladas**
- Para taladrar en hormigón y ladrillo mantenga continuamente la presión del taladro
- Al taladrar metales ferrosos
 - pretaladre antes un agujero pequeño
 - lubrique de cuando en cuando la broca con aceite
- Taladrar sin virutas en madera ⑭
- Taladrado sin polvo en paredes ⑮
- Taladrado sin polvo en techos ⑯
- Taladrado en azulejos sin resbalar ⑰
- Para más consejos vea www.skil.com

MANTENIMIENTO / SERVICIO

- Esta herramienta no está concebida para uso profesional
- Mantenga limpio el cable eléctrico y la herramienta (sobre todo las ranuras de ventilación J ②)
 - ! **desenchufar la herramienta antes de limpiar**
- Si a pesar de los esmerados procesos de fabricación y control, la herramienta llegase a averiarse, la reparación deberá encargarse a un servicio técnico autorizado para herramientas eléctricas SKIL
 - envíe la herramienta **sin desmontar** junto con una prueba de su compra a su distribuidor o a la estación de servicio más cercana de SKIL (los nombres así como el despiece de piezas de la herramienta figuran en www.skil.com)

AMBIENTE

- **No deseché las herramientas eléctricas, los accesorios y embalajes junto con los residuos domésticos** (sólo para países de la Unión Europea)

- de conformidad con la Directiva Europea 2002/96/CE sobre residuos de aparatos eléctricos y electrónicos y su aplicación de acuerdo con la legislación nacional, las herramientas eléctricas cuya vida útil haya llegado a su fin se deberán recoger por separado y trasladar a una planta de reciclaje que cumpla con las exigencias ecológicas
- símbolo  llamará su atención en caso de necesidad de tirarlas

DECLARACIÓN DE CONFORMIDAD

- Declaramos bajo nuestra sola responsabilidad que el producto descrito bajo "Datos técnicos" está en conformidad con las normas o documentos normalizados siguientes: EN 60745, EN 61000, EN 55014, de acuerdo con las disposiciones en las directivas 2004/108/CE, 2006/42/CE, 2011/65/UE
- **Expediente técnico en:** SKIL Europe BV (PT-SEU/ENG1), 4825 BD Breda, NL

Marijn van der Hoofden
Operations & Engineering

Olaf Dijkgraaf
Approval Manager

SKIL Europe BV, 4825 BD Breda, NL

04.07.2013

RUIDOS/VIBRACIONES


- Medido según EN 60745 el nivel de la presión acústica de esta herramienta se eleva a 94 dB(A) y el nivel de la potencia acústica a 105 dB(A) (desviación estándar: 3 dB), y la vibración a * m/s² (método brazo-mano; incertidumbre K = 1,5 m/s²)
 - * al taladrar en metal 3,0 m/s²
 - * al taladrar con percusión en hormigón 13,2 m/s²
 - El nivel de emisión de vibraciones ha sido medido según una prueba estándar proporcionada en EN 60745; puede utilizarse para comparar una herramienta con otra y como valoración preliminar de la exposición a las vibraciones al utilizar la herramienta con las aplicaciones mencionadas
 - al utilizarla para distintas aplicaciones o con accesorios diferentes o con un mantenimiento deficiente, podría **aumentar** de forma notable el nivel de exposición
 - en las ocasiones en que se apaga la herramienta o cuando está funcionando pero no está realizando ningún trabajo, se podría **reducir** el nivel de exposición de forma importante
- ! protéjase contra los efectos de la vibración realizando el mantenimiento de la herramienta y sus accesorios, manteniendo sus manos calientes y organizando sus patrones de trabajo**



P

Berbequim de percussão 6271/6290

INTRODUÇÃO

- A ferramenta é determinada para furar com percussão em tijolos, betão e pedras assim como para furar em madeira, metal, cerâmica e plástico
- Esta ferramenta não se destina a utilização profissional
- Leia e guarde este manual de instruções 


DADOS TÉCNICOS

ELEMENTOS DA FERRAMENTA

- A Interruptor para ligar/desligar e regulação da velocidade
- B Botão de fixação do interruptor
- C Roda para controle da velocidade máxima
- D Comutador para inverter o sentido da rotação
- E Comutador para seleccionar a função de perfuração
- F Indicador da função de perfuração seleccionada
- G Punho auxiliar
- H Regulação de profundidade
- J Aberturas de ventilação

SEGURANÇA

INSTRUÇÕES GERAIS DE SEGURANÇA

 ATENÇÃO! Devem ser lidas todas as indicações de advertência e todas as instruções. O desrespeito das advertências e instruções apresentadas abaixo pode causar choque eléctrico, incêndio e/ou graves lesões. **Guarde bem todas as advertências e instruções para futura referência.** O termo "ferramenta eléctrica" utilizado a seguir nas indicações de advertência, refere-se a ferramentas eléctricas operadas com corrente de rede (com cabo de rede) e a ferramentas eléctricas operadas com acumulador (sem cabo de rede).

1) SEGURANÇA DA ÁREA DE TRABALHO

- a) **Mantenha a sua área de trabalho limpa e arrumada.** Desordem ou áreas de trabalho com fraca iluminação podem causar acidentes.
- b) **Não trabalhar com a ferramenta eléctrica em áreas com risco de explosão, nas quais se encontrem líquidos, gases ou pós inflamáveis.** Ferramentas eléctricas produzem faíscas que podem provocar a ignição de pó e vapores.
- c) **Mantenha crianças e outras pessoas afastadas da ferramenta eléctrica durante o trabalho com a ferramenta.** Distrações podem causar a falta de controle sobre o aparelho.

2) SEGURANÇA ELÉCTRICA

- a) **A ficha da ferramentas eléctricas devem caber na tomada. A ficha não deve ser modificada de modo algum. Não utilize quaisquer fichas de adaptação junto com ferramentas eléctricas ligadas à terra.** Fichas sem modificações e tomadas adequadas reduzem o risco de choques eléctricos.

- b) **Evite que o corpo entre em contacto com superfícies ligadas à terra, como por exemplo tubos, radiadores, fogões e geladeiras.** Há um risco elevado de choques eléctricos, caso o corpo for ligado à terra.
- c) **A ferramenta eléctrica não deve ser exposta à chuva nem humidade.** A penetração de água na ferramenta eléctrica aumenta o risco de choques eléctricos.
- d) **O cabo do aparelho não deve ser utilizado para o transporte, para pendurar o aparelho, nem para puxar a ficha da tomada. Mantenha o cabo afastado de calor, óleo, cantos afiados ou partes em movimento do aparelho.** Cabos danificados ou torcidos aumentam o risco de choques eléctricos.
- e) **Ao trabalhar com a ferramenta eléctrica ao ar livre, use um cabo de extensão apropriado para áreas externas.** O uso de um cabo apropriado para áreas externas reduz o risco de choques eléctricos.
- f) **Se não for possível evitar o funcionamento da ferramenta eléctrica em áreas húmidas, deverá ser utilizado um disjuntor de corrente de avaria.** A utilização de um disjuntor de corrente de avaria reduz o risco de um choque eléctrico.

3) SEGURANÇA DE PESSOAS

- a) **Esteja alerta, observe o que está a fazer, e tenha prudência ao trabalhar com a ferramenta eléctrica. Não use a ferramenta eléctrica se estiver fatigado ou sob a influência de drogas, álcool ou medicamentos.** Um momento de falta de atenção durante a operação da ferramenta eléctrica pode causar graves lesões.
- b) **Utilizar equipamento de protecção pessoal e sempre óculos de protecção.** A utilização de equipamento de protecção pessoal, como máscara de protecção contra pó, sapatos de segurança antiderrapantes, capacete de segurança ou protecção auricular, de acordo com o tipo e aplicação da ferramenta eléctrica, reduz o risco de lesões.
- c) **Evitar uma colocação em funcionamento involuntária. Assegure-se de que a ferramenta eléctrica esteja desligada, antes de conectá-la à alimentação de rede e/ou ao acumulador, antes de levantá-la ou de transportá-la.** Se tiver o dedo no interruptor ao transportar a ferramenta eléctrica ou se o aparelho for conectado à alimentação de rede enquanto estiver ligado, poderão ocorrer acidentes.
- d) **Remover chaves de ajustes ou chaves de fenda, antes de ligar a ferramenta eléctrica.** Uma chave de fenda ou chave de ajuste que se encontre numa parte móvel do aparelho, pode levar a lesões.
- e) **Não se sobrestime. Mantenha uma posição firme e mantenha sempre o equilíbrio.** Desta forma poderá ser mais fácil controlar o aparelho em situações inesperadas.
- f) **Use roupa apropriada. Não use roupa larga ou jóias. Mantenha o cabelo, roupa e luvas afastadas de partes em movimento.** Roupas largas, jóias ou cabelos longos podem ser agarrados por partes em movimento.
- g) **Se for prevista a montagem de dispositivos de aspiração de pó e de dispositivos de recolha, assegure-se de que estão conectados e que sejam**

utilizados de forma correcta. A utilização de uma aspiração de pó pode reduzir o perigo devido ao pó.

4) USO E TRATAMENTO DE FERRAMENTAS ELÉCTRICAS

- a) **Não sobrecarregue a ferramenta eléctrica. Use para o seu trabalho a ferramenta eléctrica correcta.** A ferramenta correcta realizará o trabalho de forma melhor e mais segura dentro da faixa de potência indicada.
- b) **Não utilize a ferramenta eléctrica se o interruptor não puder ser ligado nem desligado.** Qualquer ferramenta eléctrica que não possa ser controlada através do interruptor de ligar-desligar, é perigosa e deve ser reparada.
- c) **Puxar a ficha da tomada e/ou remover o acumulador antes de executar ajustes na ferramenta, de substituir acessórios ou de guardar a ferramenta.** Esta medida de segurança evita que a ferramenta eléctrica seja ligada acidentalmente.
- d) **Guarde ferramentas eléctricas que não estiverem sendo utilizadas, for a do alcance de crianças. Não permita que o aparelho seja utilizado por pessoas não familiarizadas com o mesmo ou que não tenham lido estas instruções.** Ferramentas eléctricas são perigosas nas mãos de pessoas sem treinamento.
- e) **Trate a sua ferramenta eléctrica com cuidado. Verifique se as partes móveis do aparelho funcionam perfeitamente e não emperram, se há peças quebradas ou danificadas, que possam influenciar o funcionamento do aparelho. Peças danificadas devem ser reparadas antes da utilização do aparelho.** Muitos acidentes tem como causa uma manutenção insuficiente das ferramentas eléctricas.
- f) **Mantenha as ferramentas de corte sempre afiadas e limpas.** Ferramentas de cortes devidamente tratadas, com cantos afiados travam com menos frequência e podem ser controladas com maior facilidade.
- g) **Use a ferramenta eléctrica, os acessórios os bits da ferramenta etc., de acordo com estas instruções. Considere também as condições de trabalho e o trabalho a ser efectuado.** A utilização da ferramenta eléctrica para outros fins que os previstos, pode resultar em situações perigosas.

5) SERVIÇO

- a) **A sua ferramenta eléctrica só deve ser reparada por pessoal qualificado e só devem ser colocadas peças sobressalentes originais.** Desta forma é assegurada a segurança da ferramenta eléctrica.

INSTRUÇÕES DE SEGURANÇA PARA BERBEQUIMS DE PERCUSSÃO

GENERAL

- Esta ferramenta não deve ser utilizada por pessoas menores de 16 anos
- **Desligue sempre a ficha da tomada antes de proceder a qualquer ajustamento ou troca de acessório**
- **Use protecção auricular** (ruídos podem provocar a surdez)
- **Utilize os punhos adicionais fornecidos com a ferramenta** (a perda de controle pode provocar lesões)

- Utilize extensões completamente desenroladas e seguras, com uma capacidade de 16 Amp
- **Não processar material que contenha asbesto** (asbesto é considerado como sendo cancerígeno)
- O pó do material, como tinta com chumbo, algumas espécies de madeira, minerais e metais, pode ser prejudicial (contacto ou inalação do pó pode provocar reacções alérgicas e/ou doenças respiratórias ao operador ou às pessoas presentes); **use máscara respiratória e trabalhe com um dispositivo de extracção de pó quando ligado a**
- Determinados tipos de pó são classificados como substâncias cancerígenas (como pó de carvalho e faia), em especial, juntamente com aditivos para acondicionamento da madeira; **use máscara respiratória e trabalhe com um dispositivo de extracção de pó quando ligado a**
- Siga o regulamento nacional quanto a extração de pó, em função dos materiais que vão ser utilizados

ANTES DA UTILIZAÇÃO

- Certifique-se sempre de que a tensão de alimentação está de acordo com a tensão indicada na placa de identificação da ferramenta (ferramentas com a indicação de 230V ou 240V também podem ser ligadas a uma fonte de 220V)
- Evite danificar a ferramenta em superfícies com pregos ou parafusos; remova-os antes de começar a trabalhar
- **Utilizar detectores apropriados para detectar tubos e cabos de alimentação escondidos, ou consulte a firma de alimentação local** (o contacto com um cabo eléctrico pode levar a incêndio e choque eléctrico; a danificação de um cano de gás pode levar à explosão; a penetração de uma tubulação de água provoca danos materiais ou pode provocar um choque eléctrico)
- **Fixe a peça de trabalho** (uma peça de trabalho fixa com dispositivos de fixação ou num torno fica melhor fixa do que manualmente)
- Não utilizar ferramenta caso o fio esteja danificado; mandando-o substituir por pessoal qualificado

ACESSÓRIOS

- A SKIL só pode garantir um funcionamento perfeito da ferramenta, quando utilizada com os acessórios originais
- Utilize apenas acessórios com um número de rotação admissível no mínimo tão alto como o mais alto número de rotação em vazio da ferramenta

DURANTE A UTILIZAÇÃO

- Mantenha sempre o fio afastado das peças rotativas da ferramenta
- Se a broca bloquear repentinamente (provocando uma reacção brusca e perigosa), desligue imediatamente a ferramenta
- **Ao executar trabalhos durante os quais podem ser atingidos cabos eléctricos ou o próprio cabo de rede deverá sempre segurar a ferramenta eléctrica pelas superfícies de punho isoladas** (o contacto com um cabo sob tensão também coloca peças de metal da ferramenta eléctrica sob tensão e leva a um choque eléctrico)
- Em caso de anomalias eléctricas ou mecânicas, desligue imediatamente a ferramenta e tire a ficha da tomada

- Caso o fio for danificado ou cortado durante o trabalho, não toque no fio, mas tire imediatamente a ficha da tomada

APÓS A UTILIZAÇÃO

- Quando guardar a ferramenta, deverá certificar-se que o motor esta devidamente parado assim como todas as peças rotativas

MANUSEAMENTO

- Ligar/desligar ④
- Fixação do interruptor para utilização contínua ⑤
- Regulação da velocidade para arranque suave ⑥
- Controlo da velocidade máxima ⑦
Com a roda C pode regular-se gradualmente a velocidade máxima da baixa até alta
 - ligue a ferramenta
 - tranque o interruptor
 - gire a roda C para seleccionar a velocidade máxima
- Inversão do sentido da rotação ⑧
 - quando não forem correctamente reguladas as posições esquerda/direita, o interruptor A ② não será accionado
- ! **inverte o comutador do sentido de rotação apenas quando a ferramenta desligada**
- Perfuração Normal vs perfuração com percussão ⑨
 - o indicador F indica a função de perfuração seleccionada
- ! **selecione a função de perfuração apenas com a ferramenta desligada e a ficha fora da tomada**
- Substituição de pontas ⑩
 - empurre a ponta o mais profundamente possível na bucha
- ! **não utilize pontas com encabadouros danificados**
- Regulação da profundidade de perfuração ⑪
- Segurar e guiar a ferramenta ⑫
 - ! **durante o trabalho, segure sempre a ferramenta na(s) área(s) de fixação cinzenta(s)**
 - **utilize sempre o punho lateral G ②** (pode ser ajustado conforme ilustrado)
 - mantenha as aberturas de ventilação J ② destapadas
 - não exerça demasiada pressão na ferramenta; deixe a ferramenta trabalhar espontaneamente

CONSELHOS DE APLICAÇÃO

- Utilize as pontas apropriadas ⑬
 - ! **utilize apenas pontas com pontas afiadas**
- Para perfurações em betão ou pedra, é sempre necessária uma força estável na ferramenta
- Quando perfurar metais ferrosos
 - faça primeiro um pequeno furo se necessitar abrir um furo maior
 - lubrifique frequentemente a broca com óleo adequado
- Perfuração anti estilhaço em madeira ⑭
- Perfuração sem pó em paredes ⑮
- Perfuração sem pó em tectos ⑯
- Perfuração em cerâmica sem derrapagens ⑰
- Para mais sugestões consulte www.skil.com

MANUTENÇÃO / SERVIÇO

- Esta ferramenta não se destina a utilização profissional
- Mantenha a ferramenta e o fio sempre limpos (especialmente as ranhuras de respiração J ②)
- ! **desligar a ferramenta da fonte de corrente antes de limpar**
- Se a ferramenta falhar apesar de cuidadosos processos de fabricação e de teste, a reparação deverá ser executada por uma oficina de serviço autorizada para ferramentas eléctricas SKIL
 - envie a ferramenta **sem desmontar**, juntamente com a prova de compra, para o seu revendedor ou para o centro de assistência SKIL mais próximo (os endereços assim como a mapa de peças da ferramenta estão mencionados no www.skil.com)

AMBIENTE

- **Não deite ferramentas eléctricas, acessórios e embalagem no lixo doméstico** (apenas para países da UE)
 - de acordo com a directiva europeia 2002/96/CE sobre ferramentas eléctricas e electrónicas usadas e a transposição para as leis nacionais, as ferramentas eléctricas usadas devem ser recolhidas em separado e encaminhadas a uma instalação de reciclagem dos materiais ecológica
 - símbolo ⑩ lhe avisará em caso de necessidade de arranja-las

DECLARAÇÃO DE CONFORMIDADE CE

- Declaramos sob nossa exclusiva responsabilidade que o produto descrito em "Dados técnicos" cumpre as seguintes normas ou documentos normativos: EN 60745, EN 61000, EN 55014, conforme as disposições das directivas 2004/108/CE, 2006/42/CE, 2011/65/UE
- **Processo técnico em:** SKIL Europe BV (PT-SEU/ENG1), 4825 BD Breda, NL

Marijn van der Hoofden
Operations & Engineering

Olaf Dijkgraaf
Approval Manager

SKIL Europe BV, 4825 BD Breda, NL

04.07.2013

RUÍDO/VIBRAÇÕES

- Medido segundo EN 60745 o nível de pressão acústica desta ferramenta é 94 dB(A) e o nível de potência acústica 105 dB(A) (espaço de erro: 3 dB), e a vibração
 - * m/s^2 (método braço-mão; incerteza $K = 1,5 m/s^2$)
 - * ao perfurar em metal $3,0 m/s^2$
 - * ao perfurar com percussão em betão $13,2 m/s^2$
- O nível de emissão de vibrações foi medido de acordo com um teste normalizado fornecido na EN 60745; pode ser utilizado para comparar uma ferramenta com outra e como uma avaliação preliminar de exposição à vibração

quando utilizar a ferramenta para as aplicações mencionadas

- utilizar a ferramenta para diferentes aplicações ou com acessórios diferentes ou mantidos deficientemente, pode **aumentar** significativamente o nível de exposição
- o número de vezes que a ferramenta é desligada ou quando estiver a trabalhar sem fazer nada, pode **reduzir** significativamente o nível de exposição
- ! **proteja-se contra os efeitos da vibração, mantendo a ferramenta e os acessórios, mantendo as mãos quentes e organizando os padrões de trabalho**

I

Trapano a percussione 6271/6290

INTRODUZIONE

- L'utensile è idoneo per l'esecuzione di forature a percussione in mattoni, nel calcestruzzo e nel materiale minerale; esso è adatto anche per forare nel legname, nel metallo, nella ceramica e nelle materie plastiche
- Questo utensile non è inteso per un uso professionale
- Leggete e conservate questo manuale di istruzioni ③

DATI TECNICI ①

ELEMENTI UTENSILE ②

- A** Interruttore di accensione/spegnimento e regolazione della velocità
- B** Pulsante di blocco dell'interruttore
- C** Rotella di controllo della velocità massima
- D** Commutatore per l'inversione del senso di rotazione
- E** Commutatore per la selezione del funzionamento di foratura
- F** Indicatore della modalità di foratura selezionata
- G** Impugnatura ausiliaria
- H** Asta di profondità
- J** Feritoie di ventilazione

SICUREZZA

ISTRUZIONI GENERALI DI SICUREZZA

ATTENZIONE! Leggere tutte le avvertenze di pericolo e le istruzioni operative. In caso di mancato rispetto delle avvertenze di pericolo e delle istruzioni operative si potrà creare il pericolo di scosse elettriche, incendi e/o incidenti gravi. **Conservare tutte le avvertenze di pericolo e le istruzioni operative per ogni esigenza futura.** Il termine "elettroutensile" utilizzato nelle avvertenze di pericolo si riferisce ad utensili elettrici alimentati dalla rete (con linea di allacciamento) ed ad utensili elettrici alimentati a batteria (senza linea di allacciamento).

- 1) **SICUREZZA DELLA POSTAZIONE DI LAVORO**
 - a) **Mantenere pulito ed ordinato il posto di lavoro.** Il disordine o le zone di lavoro non illuminate possono essere fonte di incidenti.

- b) **Evitare d'impiegare l'utensile in ambienti soggetti al rischio di esplosioni nei quali si trovino liquidi, gas o polveri infiammabili.** Gli utensili elettrici producono scintille che possono far infiammare la polvere o i gas.
- c) **Mantenere lontani i bambini ed altre persone durante l'impiego dell'utensile elettrico.** Eventuali distrazioni potranno comportare la perdita del controllo sull'utensile.
- 2) SICUREZZA ELETTRICA**
- a) **La spina per la presa di corrente dovrà essere adatta alla presa. Evitare assolutamente di apportare modifiche alla spina. Non impiegare spine adattatrici assieme ad utensili con collegamento a terra.** Le spine non modificate e le prese adatte allo scopo riducono il rischio di scosse elettriche.
- b) **Evitare il contatto fisico con superfici collegate a terra, come tubi, riscaldamenti, cucine elettriche e frigoriferi.** Sussiste un maggior rischio di scosse elettriche nel momento in cui il corpo è messo a massa.
- c) **Custodire l'utensile al riparo dalla pioggia o dall'umidità.** L'eventuale infiltrazione di acqua in un utensile elettrico va ad aumentare il rischio d'insorgenza di scosse elettriche.
- d) **Non usare il cavo per scopi diversi da quelli previsti al fine di trasportare o appendere l'utensile, oppure di togliere la spina dalla presa di corrente. Mantenere l'utensile al riparo da fonti di calore, dall'olio, dagli spigoli o da pezzi in movimento.** I cavi danneggiati o aggrovigliati aumentano il rischio d'insorgenza di scosse elettriche.
- e) **Qualora si voglia usare l'utensile all'aperto, impiegare solo ed esclusivamente cavi di prolunga omologati per l'impiego all'esterno.** L'uso di un cavo di prolunga omologato per l'impiego all'esterno riduce il rischio d'insorgenza di scosse elettriche.
- f) **Qualora non fosse possibile evitare di utilizzare l'utensile in ambiente umido, utilizzare un interruttore di messa a terra.** L'uso di un interruttore di messa a terra riduce il rischio di una scossa elettrica.
- 3) SICUREZZA DELLE PERSONE**
- a) **È importante concentrarsi su ciò che si sta facendo e a maneggiare con giudizio l'utensile durante le operazioni di lavoro. Non utilizzare l'utensile in caso di stanchezza o sotto l'effetto di droghe, bevande alcoliche e medicinali.** Un attimo di distrazione durante l'uso dell'utensile potrà causare lesioni gravi.
- b) **Indossare sempre equipaggiamento protettivo individuale. Usare sempre protezioni per gli occhi.** Se si avrà cura d'indossare equipaggiamento protettivo individuale come la maschera antipolvere, la calzatura antidrucciolevole di sicurezza, il casco protettivo o la protezione dell'udito, a seconda dell'impiego previsto per l'utensile elettrico, si potrà ridurre il rischio di ferite.
- c) **Evitare l'accensione involontaria dell'utensile. Prima di collegarlo alla rete di alimentazione elettrica e/o alla batteria ricaricabile, prima di prenderlo oppure prima di iniziare a trasportarlo, assicurarsi che l'utensile sia spento.** Tenendo il dito sopra l'interruttore mentre si trasporta l'utensile oppure collegandolo all'alimentazione di corrente con l'interruttore inserito, si vengono a creare situazioni pericolose in cui possono verificarsi seri incidenti.
- d) **Togliere gli attrezzi di regolazione o la chiave inglese prima di accendere l'utensile.** Un utensile o una chiave inglese che si trovino in una parte dell'utensile in rotazione potranno causare lesioni.
- e) **È importante non sopravvalutarsi. Avere cura di mettersi in posizione sicura e di mantenere l'equilibrio.** In tale maniera sarà possibile controllare meglio l'utensile in situazioni inaspettate.
- f) **Indossare vestiti adeguati. Evitare di indossare vestiti lenti o gioielli. Tenere i capelli, i vestiti ed i guanti lontani da pezzi in movimento.** Vestiti lenti, gioielli o capelli lunghi potranno impigliarsi in pezzi in movimento.
- g) **Se sussiste la possibilità di montare dispositivi di aspirazione o di captazione della polvere, assicurarsi che gli stessi siano stati installati correttamente e vengano utilizzati senza errori.** L'utilizzo di un'aspirazione polvere può ridurre lo svilupparsi di situazioni pericolose dovute alla polvere.
- 4) MANEGGIO ED IMPIEGO ACCURATO DI UTENSILI ELETTRICI**
- a) **Non sovraccaricare l'utensile. Impiegare l'utensile elettrico adatto per sbrigare il lavoro.** Utilizzando l'utensile elettrico adatto si potrà lavorare meglio e con maggior sicurezza nell'ambito della gamma di potenza indicata.
- b) **Non utilizzare utensili elettrici con interruttori difettosi.** Un utensile elettrico che non si può più accendere o spegnere è pericoloso e dovrà essere riparato.
- c) **Prima di procedere ad operazioni di regolazione sull'utensile, prima di sostituire parti accessorie oppure prima di posare l'utensile al termine di un lavoro, estrarre sempre la spina dalla presa della corrente e/o estrarre la batteria ricaricabile.** Tale precauzione eviterà che l'utensile possa essere messo in funzione inavvertitamente.
- d) **Custodire gli utensili elettrici non utilizzati al di fuori della portata dei bambini. Non fare usare l'utensile a persone che non sono abituate ad usarlo o che non abbiano letto le presenti istruzioni.** Gli utensili elettrici sono pericolosi se utilizzati da persone inesperte.
- e) **Effettuare accuratamente la manutenzione dell'utensile. Verificare che le parti mobili dell'utensile funzionino perfettamente e non s'incepino, che non ci siano pezzi rotti o danneggiati al punto tale da limitare la funzione dell'utensile stesso. Far riparare le parti danneggiate prima d'impiegare l'utensile.** Numerosi incidenti vengono causati da utensili elettrici la cui manutenzione è stata effettuata poco accuratamente.
- f) **Mantenere affilati e puliti gli utensili da taglio.** Gli utensili da taglio curati con particolare attenzione e con taglienti affilati s'incepiscono meno frequentemente e sono più facili da condurre.
- g) **Utilizzare utensili elettrici, accessori, attrezzi, ecc. in conformità con le presenti istruzioni. Osservare le condizioni di lavoro ed il lavoro da eseguirsi durante l'impiego.** L'impiego di utensili elettrici per usi diversi da quelli consentiti potrà dar luogo a situazioni di pericolo.

5) ASSISTENZA

- a) **Fare riparare l'utensile solo ed esclusivamente da personale specializzato e solo impiegando pezzi di ricambio originali.** In tale maniera potrà essere salvaguardata la sicurezza dell'utensile.

ISTRUZIONI DI SICUREZZA PER TRAPANI A

PERCUSSIONE

NOTE GENERALI

- Questo utensile non dev'essere utilizzato da persone di età inferiore ai 16 anni
- **Staccate sempre la spina dell'utensile prima di effettuare regolazioni o cambiare gli accessori**
- **Portare cuffie di protezione** (l'effetto del rumore può provocare la perdita dell'udito)
- **Utilizzare le impugnature supplementari fornite insieme all'utensile** (la perdita di controllo sull'utensile può comportare il pericolo di incidenti)
- Usare cavi di prolunga completamente srotolati e sicure con una capacità di 16 Amp
- **Non lavorare mai materiali contenenti amianto** (l'amianto è ritenuto materiale cancerogeno)
- Le polveri di materiali come vernici contenenti piombo, alcune specie di legno, minerali e metallo possono essere nocive (il contatto con queste polveri o la loro inalazione possono causare reazioni allergiche e/o disturbi respiratori all'operatore o ad altre persone presenti sul posto); **indossare una maschera protettiva per la polvere e utilizzare un dispositivo per l'estrazione della polvere se è presente una presa di collegamento**
- Alcuni tipi di polvere sono classificati come cancerogeni (quali le polveri di quercia e faggio) specialmente se associate ad additivi per il trattamento del legno; **indossare una maschera protettiva per la polvere e utilizzare un dispositivo per l'estrazione della polvere se è presente una presa di collegamento**
- Rispettare le istruzioni nazionali riguardanti l'estrazione della polvere per i materiali in lavorazione

PRIMA DELL'USO

- Controllare che la tensione dell'alimentazione sia la stessa di quella indicata sulla targhetta dell'utensile (gli utensili con l'indicazione di 230V o 240V possono essere collegati anche alla rete di 220V)
- Evitate possibili danneggiamenti da viti e chiodi sporgenti; rimuoverli prima di iniziare la lavorazione
- **Al fine di rilevare possibili linee di alimentazione nascoste, utilizzare adatte apparecchiature di ricerca oppure rivolgersi alla locale società erogatrice** (un contatto con linee elettriche può provocare lo sviluppo di incendi e di scosse elettriche; danneggiando linee del gas si può creare il pericolo di esplosioni; penetrando una tubazione dell'acqua si provocano seri danni materiali oppure vi è il pericolo di provocare una scossa elettrica)
- **Fissare il pezzo da lavorare** (un pezzo in lavorazione rimane bloccato in posizione con maggiore sicurezza se fissato con appositi dispositivi di serraggio o con una morsa e non tenendolo con la mano)
- Non usare l'utensile quando il cavo è danneggiato; farlo sostituire da personale qualificato

ACCESSORI

- La SKIL garantisce un perfetto funzionamento dell'utensile soltanto se vengono utilizzati accessori originali
- Utilizzate solo accessori il cui numero massimo di giri corrisponda almeno al massimo dei numeri di giri dell'utensile

DURANTE L'USO

- Mantenere sempre il cavo distante dalle parti in movimento dell'utensile
- Se la punta si blocca inaspettatamente (provocando un contraccolpo di reazione), spegnete subito l'utensile
- **Quando si eseguono lavori in cui vi è pericolo che l'accessorio impiegato possa arrivare a toccare cavi elettrici nascosti oppure anche il cavo elettrico dell'elettrotensile stesso, operare con l'elettrotensile afferrandolo sempre alle superfici di impugnatura isolate** (un contatto con un cavo elettrico mette sotto tensione anche parti in metallo dell'elettrotensile provocando quindi una scossa elettrica)
- Nel caso di cattivo funzionamento elettrico o meccanico, spegnete subito l'utensile e staccate la spina
- Se durante un'operazione di lavoro viene danneggiato oppure troncato il cavo, non toccare il cavo ma estrarre immediatamente la spina dalla presa

DOPO L'USO

- Quando riponete l'utensile accertatevi che non ci siano parti in movimento e che il motore sia spento

USO

- Acceso/spento ④
- Blocco dell'interruttore per il funzionamento continuo ⑤
- Regolazione della velocità per un avviamento lento ⑥
- Controllo della velocità massima ⑦
Con la rotella C potete scegliere progressivamente la velocità massima da bassa ad alta
 - accendete l'utensile
 - bloccate l'interruttore
 - girate la rotella C fino alla velocità massima desiderata
- Inversione del senso di rotazione ⑧
 - quando la posizione sinistra/destra non è inserita propriamente l'interruttore A ② non può essere attivato
 - ! **invertire il senso di rotazione solo quando l'utensile si è arrestato completamente**
- Foratura normale oppure foratura a percussione ⑨
 - l'indicatore F mostra la modalità di foratura selezionata
 - ! **selezionare la modalità di foratura solo quando l'utensile è spento e quando la spina è scollegata**
- Cambio delle punte ⑩
 - introdurre la punta il più profondamente possibile nel mandrino
 - ! **non utilizzare punte con il gambo danneggiato**
- Regolazione della profondità di perforazione ⑪
- Tenuta e guida dell'utensile ⑫
 - ! **durante la lavorazione, impugna l'utensile sempre in corrispondenza della(e) area(e) grigia(e)**
 - **utilizzare sempre l'impugnatura ausiliaria G ②** (può venire regolata come illustrato)
 - tenere scoperte le feritoie di ventilazione J ②

- non applicate una pressione eccessiva all'utensile; lasciate che sia l'utensile a lavorare per voi

CONSIGLIO PRATICO

- Usare le punte appropriate ⁽¹³⁾
! usare solo punte affilate
- Per forare cemento o pietra è richiesta una leggera pressione sul trapano
- Quando le parti da forare sono ferrose
 - preparare un piccolo foro, quando è richiesto un grande foro
 - lubrificare la punta di tanto in tanto con olio
- Forature antisceggia nel legno ⁽¹⁴⁾
- Foratura senza polvere nel muro ⁽¹⁵⁾
- Foratura senza polvere nel soffitto ⁽¹⁶⁾
- Foratura di piastrelle senza scivolamento ⁽¹⁷⁾
- Per altri consigli consultare il sito www.skil.com

MANUTENZIONE / ASSISTENZA

- Questo utensile non è inteso per un uso professionale
- Tenete sempre puliti utensile e cavo (soprattutto le feritoie di ventilazione J ⁽²⁾)
! prima di pulire estrarre la spina dalla presa
- Se nonostante gli accurati procedimenti di produzione e di controllo l'utensile dovesse guastarsi, la riparazione va fatta effettuare da un punto di assistenza autorizzato per gli elettroutensili SKIL
 - inviare l'utensile **non smontato** assieme alle prove di acquisto al rivenditore oppure al più vicino centro assistenza SKIL (l'indirizzo ed il disegno delle parti di ricambio dell'utensile sono riportati su www.skil.com)

TUTELA DELL'AMBIENTE

- **Non gettare l'utensile elettrico, gli accessori e l'imballaggio tra i rifiuti domestici** (solo per paesi UE)
 - secondo la Direttiva Europea 2002/96/CE sui rifiuti di utensili elettrici ed elettronici e la sua attuazione in conformità alle norme nazionali, gli utensili elettrici esausti devono essere raccolti separatamente, al fine di essere reimpiegati in modo eco-compatibile
 - il simbolo ⁽¹⁸⁾ vi ricorderà questo fatto quando dovrete eliminarle

DICHIARAZIONE DEI CONFORMITÀ CE

- Assumendone la piena responsabilità, dichiariamo che il prodotto descritto nei "Dati tecnici" è conforme alle seguenti normative ed ai relativi documenti: EN 60745, EN 61000, EN 55014 in base alle prescrizioni delle direttive 2004/108/EG, 2006/42/EG, 2011/65/UE
- **Fascicolo tecnico presso:** SKIL Europe BV (PT-SEU/ENG1), 4825 BD Breda, NL

Marijn van der Hoofden
Operations & Engineering

Olaf Dijkgraaf
Approval Manager




SKIL Europe BV, 4825 BD Breda, NL

04.07.2013

RUMOROSITÀ/VIBRAZIONE

- Misurato in conformità al EN 60745 il livello di pressione acustica di questo utensile è 94 dB(A) ed il livello di potenza acustica 105 dB(A) (deviazione standard: 3 dB), e la vibrazione * m/s² (metodo mano-braccio; incertezza K = 1,5 m/s²)
 - * nella foratura nel metallo 3,0 m/s²
 - * nella foratura a percussione nel cemento 13,2 m/s²
- Il livello di emissione delle vibrazioni è stato misurato in conformità a un test standardizzato stabilito dalla norma EN 60745; questo valore può essere utilizzato per mettere a confronto un l'utensile con un altro o come valutazione preliminare di esposizione alla vibrazione quando si impiega l'utensile per le applicazioni menzionate
 - se si utilizza l'utensile per applicazioni diverse, oppure con accessori differenti o in scarse condizioni, il livello di esposizione potrebbe **umentare** notevolmente
 - i momenti in cui l'utensile è spento oppure è in funzione ma non viene effettivamente utilizzato per il lavoro, possono contribuire a **ridurre** il livello di esposizione
- ! **protegersi dagli effetti della vibrazione effettuando la manutenzione dell'utensile e dei relativi accessori, mantenendo le mani calde e organizzando i metodi di lavoro**

H

Ütvefűró

6271/6290

BEVEZETÉS

- A készülék téglában, betonban és kőzetekben végzett ütvefűrésra, valamint fában, fémekben, kerámiákban és műanyagokban végzett fűrésra szolgál
- A szerszám nem professzionális használatra készült
- Olvassa a figyelmesen és őrizze meg a használati utasítást ⁽³⁾

MŰSZAKI ADATOK ⁽¹⁾

SZERSZÁMGÉP ELEMEI ⁽²⁾

- A Be/Ki kapcsoló és sebességszabályozó
- B Kapcsolórőgzítőgomb
- C A maximális sebesség beállítására szolgáló kerék
- D A forgásirány változtatására szolgáló kapcsoló
- E A fűrófunkció kiválasztására szolgáló kapcsoló
- F A kiválasztott fűrófunkció jelzése
- G Oldalfogantyú
- H Mélységbeállító
- J Szellőzőnyílások

BIZTONSÁG

ÁLTALÁNOS BIZTONSÁGI ELŐÍRÁSOK

▲ FIGYELEM! Olvassa el az összes biztonsági figyelmeztetést és előírást. A következőkben leírt előírások betartásának elmulasztása áramütésekhez, tűzhez és/vagy súlyos testi sérülésekhez vezethet. **Kérjük a**

későbbi használatra gondosan őrizze meg ezeket az előírásokat. Az alább alkalmazott elektromos kéziszerszám fogalom a hálózati elektromos kéziszerszámokat (hálózati csatlakozó kábelrel) és az akkumulátoros elektromos kéziszerszámokat (hálózati csatlakozó kábel nélkül) foglalja magában.

1) MUNKAHELYI BIZTONSÁG

- a) **Tartsa tisztán és tartsa rendben a munkahelyét.**
Rendetlen munkahelyek vagy megvilágítatlan munkaterületek balesetekhez vezethetnek.
- b) **Ne dolgozzon az elektromos kéziszerszámmal olyan robbanásveszélyes környezetben, ahol éghető folyadékok, gázok vagy porok vannak.** Az elektromos kéziszerszámok szikrákat bocsáthatnak ki, amelyek meggyújthatják a port vagy a gőzöket.
- c) **Tartsa távol a gyerekeket és az idegen személyeket a munkahelytől, ha az elektromos kéziszerszámot használja.** Ha elvonják a figyelmét a munkától, könnyen elvesztheti az uralmát a berendezés felett.

2) ELEKTROMOS BIZTONSÁGI ELŐÍRÁSOK

- a) **A készülék csatlakozó dugójának bele kell illeszkednie a dugaszolóaljzatba. A csatlakozó dugót semmilyen módon sem szabad megváltoztatni. Védőföldeléssel ellátott készülékekkel kapcsolatban ne használjon csatlakozó adaptert.** A változtatás nélküli csatlakozó dugók és a megfelelő dugaszoló aljzatok csökkentik az áramütés kockázatát.
- b) **Ne érjen hozzá földelt felületekhez, mint csövekhez, fűtőtestekhez, kályhákhöz és hűtőszekrényekhez.** Az áramütési veszély megnövekszik, ha a teste le van földelve.
- c) **Tartsa távol az elektromos kéziszerszámot az esőtől és a nedvesség hatásaitól.** Ha víz hatol be egy elektromos kéziszerszámba, ez megnöveli az áramütés veszélyét.
- d) **Ne használja a kábelt a rendeltetésétől eltérő célokra, vagyis a szerszámot soha ne hordozza vagy akassza fel a kábelnél fogva, és soha ne húzza ki a hálózati csatlakozó dugót a kábelnél fogva.** Tartsa távol a kábelt hőforrásoktól, olajtól, éles élektől, sarkaktól és mozgó gépalkatrészekről. Egy megrongálódott vagy csomókkal teli kábel megnöveli az áramütés veszélyét.
- e) **Ha egy elektromos kéziszerszámmal a szabad ég alatt dolgozik, csak a szabadban való használatra engedélyezett hosszabbítót használjon.** A szabadban való használatra engedélyezett hosszabbító használata csökkenti az áramütés veszélyét.
- f) **Ha nem lehet elkerülni az elektromos kéziszerszám nedves környezetben való használatát, alkalmazzon egy földzárlat megszakítót.** Egy földzárlat megszakító alkalmazása csökkenti az áramütés kockázatát.

3) SZEMÉLYI BIZTONSÁGI ELŐÍRÁSOK

- a) **Munka közben mindig figyeljen, ügyeljen arra, amit csinál, és meggondoltan dolgozzon az elektromos kéziszerszámmal.** Ha fáradt, ha kábítószerek vagy alkohol hatása alatt áll, vagy orvszágokat vett be, ne használja a berendezést. A berendezéssel végzett munka közben már egy pillanatnyi figyelmetlenség is komoly sérülésekhez vezethet.

- b) **Viseljen személyi védőfelszerelést és mindig viseljen védőszemüveget.** A személyi védőfelszerelések, mint porvédő álarc, csúszásbiztos védőcipő, védősapka és fűlvédő használat a elektromos kéziszerszám használatára jellegének megfelelően csökkenti a személyes sérülések kockázatát.
 - c) **Kerülje el a készülék akaratlan üzembe helyezését. Győződjön meg arról, hogy az elektromos kéziszerszám ki van kapcsolva, mielőtt bedugná a csatlakozó dugót a dugaszolóaljzatba, csatlakoztatná az akkumulátor-csomagot, és mielőtt felvenné és vinni kezdené az elektromos kéziszerszámot.** Ha az elektromos kéziszerszám felemelése közben az újítást a kapcsolón tartja, vagy ha a készüléket bekapcsolt állapotban csatlakoztatja az áramforráshoz, ez balesetekhez vezethet.
 - d) **Az elektromos kéziszerszám bekapcsolása előtt okvetlenül távolítsa el a beállító szerszámokat vagy csavarkulcsokat.** Az elektromos kéziszerszám forgó részeiben felejtett beállító szerszám vagy csavarkulcs sérüléseket okozhat.
 - e) **Ne becsülje túl önmagát. Kerülje el a normálistól eltérő testtartást, ügyeljen arra, hogy mindig biztosan álljon és az egyensúlyát megtartsa.** Így az elektromos kéziszerszám felett váratlan helyzetekben is jobban tud uralkodni.
 - f) **Viseljen megfelelő ruhát. Ne viseljen bő ruhát vagy ékszereket. Tartsa távol a haját, a ruháját és a kesztyűjét a mozgó részekről.** A bő ruhát, az ékszereket és a hosszú haját a mozgó alkatrészek magukkal ránthatják.
 - g) **Ha az elektromos kéziszerszámmal fel lehet szerelni a por elszívásához és összegyűjtéséhez szükséges berendezéseket, ellenőrizze, hogy azok megfelelő módon hozzá vannak kapcsolva a készülékhez és rendeltetésüknek megfelelően működnek.** A porgyűjtő berendezések használata csökkenti a munka során keletkező por veszélyes hatását.
- ### 4) AZ ELEKTROMOS KÉZISZERSZÁMOK GONDOS KEZELÉSE ÉS HASZNÁLATA
- a) **Ne terhelje túl az elektromos kéziszerszámot. A munkájához csak az arra szolgáló elektromos kéziszerszámot használja.** Egy alkalmas elektromos kéziszerszámmal a megadott teljesítménytartományon belül jobban és biztonságosabban lehet dolgozni.
 - b) **Ne használjon olyan elektromos kéziszerszámot, amelynek a kapcsolója elromlott.** Egy olyan elektromos kéziszerszám, amelyet nem lehet sem be-, sem kikapcsolni, veszélyes és meg kell javíttatni.
 - c) **Húzza ki a csatlakozó dugót a dugaszolóaljzattól és/vagy az akkumulátor-csomagot az elektromos kéziszerszámból, mielőtt az elektromos kéziszerszámon beállítási munkákat végez, tartozékokat cserél vagy a szerszámot tárolásra elteszi.** Ez az elővigyázatossági intézkedés meggátolja a szerszám akaratlan üzembe helyezését.
 - d) **A használaton kívüli elektromos kéziszerszámokat olyan helyen tárolja, ahol azokhoz gyerekek ne férhessnek hozzá. Ne hagyja, hogy olyan személyek használják az elektromos kéziszerszámot, akik nem ismerik a szerszámot,**

vagy nem olvasták el ezt az útmutatót. Az elektromos kéziszerszámok veszélyesek, ha azokat gyakorlatlan személyek használják.

- e) **A készüléket gondosan ápolja. Ellenőrizze, hogy a mozgó alkatrészek kifogástalanul működnek-e, nincsenek-e beszorulva, és nincsenek-e eltörve vagy megrongálódva olyan alkatrészek, amelyek hatással lehetnek az elektromos kéziszerszám működésére. A megrongálódott részeket a készülék használata előtt javíttassa meg.** Sok olyan baleset történik, amelyet az elektromos kéziszerszám nem kielégítő karbantartására lehet visszavezetni.
- f) **Tartsa tisztán és éles állapotban a vágószerszámokat.** Az éles vágóélekkel rendelkező és gondosan ápolott vágószerszámok ritkábban ékelődnek be és azokat könnyebben lehet vezetni és irányítani.
- g) **Az elektromos kéziszerszámokat, tartozékokat, betétszerszámokat stb. csak ezen előírásoknak használja. Vegye figyelembe a munkafeltételeket és a kivitelezendő munka sajátosságait.** Az elektromos kéziszerszám eredeti rendeltetésétől eltérő célokra való alkalmazása veszélyes helyzetekhez vezethet.

5) SZERVIZ

- a) **Az elektromos kéziszerszámot csak szakképzett személyzet és csak eredeti pótkatrészek felhasználásával javíthatja.** Ez biztosítja, hogy az elektromos kéziszerszám biztonságos szerszám maradjon.

BIZTONSÁGI ELŐÍRÁSOK ÜTVEFŰRÖKHÖZ

ÁLTALÁNOS TUDNIVALÓK

- A készüléket csak 16 éven felüli személyek használják
- **Mindig húzza ki a dugaszolóaljzatot mielőtt tartozékot cserélné vagy bármit változtatna a gép beállításán**
- **Viseljen fülvédőt** (ennek elmulasztása esetén a zaj hatása a hallóképesség elvesztéséhez vezethet)
- **Használja a kéziszerszámmal együtt szállított pótfogantyúkat** (ha elveszti az uralmát a berendezés felett, ez sérülésekhez vezethet)
- Használjon teljesen letekert és biztonságos hosszabbítókábel, 16 A-es teljesítménnyel
- **Ne munkáljon meg a berendezéssel azbesztes tartalmazó anyagokat** (az azbesztesnek rákkeltő hatása van)
- Az anyagból származó por (mint például az ólomot, néhány fafajtát, ásványi anyagokat és fémek tartalmazó festékek) káros lehet (a por érintése vagy belégzése allergiás reakciókat és/vagy légzőszervi betegségeket okozhat a kezelő, illetve a közelben állók esetében); **viseljen pormaszkot és amennyiben csatlakoztatható, dolgozzon porelszívó berendezéssel**
- Bizonyos porfajták rákkeltő besorolással rendelkeznek (ilyen például a tölgyl- és a bükkfa pora), különösen a fa kondicionálására szolgáló adalékokkal együtt; **viseljen pormaszkot és amennyiben csatlakoztatható, dolgozzon porelszívó berendezéssel**
- Kövesse a por kezelésével kapcsolatos helyi előírásokat azon termékkel kapcsolatosan, amellyel dolgozni kíván

HASZNÁLAT ELŐTT

- Mindig ellenőrizze, hogy a hálózati feszültség megegyezik-e a gép adattábláján feltüntetett értékkel (a 230V vagy 240V jelzésű gépek 220V feszültségre is csatlakoztathatók)
- Ügyeljen arra, hogy a munkadarabban lévő csavar, szög vagy hasonló sérüléseket ne okozhasson; a munka megkezdése előtt eltávolítandó
- **A rejtett vezetékek felkutatásához használjon alkalmas fémmereső készüléket, vagy kérje ki a helyi energiaellátó vállalat tanácsát** (ha egy elektromos vezetékeket a berendezéssel megérint, ez tűzhöz és áramütéshez vezethet; egy gázvezeték megrongálása robbanást eredményezhet; egy vízvezetékbe való behatolás anyagi károkhöz és áramütéshez vezethet)
- **Rögzítse a munkadarabot** (befogókészülékkel vagy satuval befogott munkadarabot sokkal biztonságosabban lehet rögzíteni mint a kézzel tartottat)
- Soha ne használja a szerszámot ha a kábel sérült; cseréltesse ki szakértő által

TARTOZÉKOK

- SKIL cég kizárólag eredeti alkatrészek és kiegészítők alkalmazása esetén tudja garantálni a gép problémamentes működését
- Csak olyan tartozékot használjon, amelyek legmagasabb megengedett fordulatszáma legalább akkora, mint a berendezés legmagasabb üresjáratú fordulatszáma

HASZNÁLAT KÖZBEN

- A gép mozgó részétől mindig tartsa távol az elektromos kábelt
- A fűró váratlan (hirtelen, veszélyes reakciót okozó) beszorulása vagy elakadása esetén azonnal kapcsolja ki a gépet
- **Az elektromos kéziszerszámot csak a szigetelt fogantyúfelületeknél fogja meg, ha olyan munkákat végez, amelyek során a betétszerszám kívülről nem látható, feszültség alatt álló vezetékeket, vagy a saját hálózati vezetékét is átvághatja** (ha a berendezés egy feszültség alatt álló vezetékhez ér, az elektromos kéziszerszám fémrészei szintén feszültség alá kerülnek és áramütéshez vezetnek)
- Normálistól eltérő működés valamint szokatlan, idegen hangok esetén a készüléket azonnal kapcsolja ki és a kábelt húzza ki a fali dugaszoló aljzattól
- Ha a kábel munka közben megsérül vagy el van vágva, ne érjen a kábelhoz, hanem azonnal húzza ki a konektorból

A HASZNÁLATOT KÖVETŐEN

- A gépet soha ne hagyja bekapcsolt állapotban, ha már nem dolgozik vele

KEZELÉS

- Be/Ki ④
- Kapcsolórögzítő folyamatos használat esetére ⑤
- Egyenletes indítást biztosító sebességszabályozó ⑥
- Maximális sebesség beállítás ⑦

A C kerék segítségével állítható be fokozatmentesen a legnagyobb fordulatszám, az alacsonytól a magasig

- kapcsolja be a gépet
- rögzítse a kapcsolót
- a C forgatógomb segítségével állítsa be a kívánt maximális fordulatszámot

- Forgásirány változtatás ⑧
 - amennyiben az A ② be/ki kapcsoló nem kattant tökéletesen a helyére ne kapcsolja be gépét
 - ! **a forgásirány kizárólag a gép teljes leállása után változtatható**
- Normál fűrés illetve ütvefűrés ⑨
 - a F jelzés a kiválasztott fűrőfunkciót mutatja
 - ! **a fűrőfunkció kiválasztását csak a gép kikapcsolott állapotában végezze és a hálózati csatlakozó legyen kihúzva a konnektorból**
- A szerszámhegyek cseréje ⑩
 - helyezze a szerszámhegyet a tokmányba, s tolja olyan mélyre, amennyire csak lehet
 - ! **soha ne használjon sérült befogóvégű szerszámhegyet**
- A furatmélység beállítása ⑪
- A gép vezetése és tartása ⑫
 - ! **munka közben mindvégig tartsa gépet a szürke színű markolati terület(ek)en**
 - **a gépet mindig az oldalfogantyúnál G ② fogja** (az ábrán látható módon beállítható)
 - a szellőzőnyílásokat J ② mindig tartsa szabadon
 - ne gyakoroljon túl nagy nyomást a gépre; hagyja, hogy a gép dolgozzon ön helyett

HASZNÁLAT

- Mindig a megfelelő szerszámhegyet használja ⑬
 - ! **ne használjon kopott vagy életlen szerszámhegyet**
- Beton és kő fűrésakor állandó nyomást kell gyakorolni a gépre
- Fémekben történő fűréskor
 - készítsünk kisméretű előfuratot
 - kenje időnként olajjal a fűrőhegyet
- Forgácsmentes fűrés ⑭
- Pormentes fűrés falban ⑮
- Pormentes fűrés plafonban ⑯
- Csempék/burkolólapok fűrésa megcsúszás nélkül ⑰
- A www.skil.com címen még több ötletet és javaslatot talál

KARBANTARTÁS / SZERVIZ

- A szerszám nem professzionális használatra készült
- Mindig tartsa tisztán a gépet és a vezetéket (különös tekintettel a szellőzőnyílásokra J ②)
- ! **tisztítás előtt húzza ki a csatlakozódugót**
- Ha a gép a gondos gyártási és ellenőrzési eljárás ellenére egyszer mégis meghibásodna, akkor a javítással csak SKIL elektromos kéziszerszám-műhely ügyfélszolgálatát szabad megbízni
 - küldje az **összeszerelt** gépet a vásárlást bizonyító számlával együtt a kereskedő vagy a legközelebbi SKIL szervizállomás címére (a címlista és a gép szervizdiagramja a www.skil.com címen található)

KÖRNYEZET

- **Az elektromos kéziszerszámokat, tartozékokat és csomagolást ne dobja a háztartási szemétkébe** (csak EU-országok számára)
 - a használt villamos és elektronikai készülékekről szóló 2002/96/EK irányelv és annak a nemzeti jogba való átültetése szerint az elhasznált elektromos

kéziszerszámokat külön kell gyűjteni, és környezetbarát módon újra kell hasznosítani

- erre emlékeztet a ⑱ jelzés, amennyiben felmerül az intézkedésre való igény

MEGFELELŐSÉGI NYILATKOZAT CE

- Egyedüli felelősséggel kijelentjük, hogy a "Műszaki adatok" alatt leírt termék megfelel a következő szabványoknak, illetve irányadó dokumentumoknak: EN 60745, EN 61000, EN 55014 a 2004/108/EK, 2006/42/EK, 2011/65/EU irányelveknek megfelelően
- **A műszaki dokumentáció a következő helyen található:** SKIL Europe BV (PT-SEU/ENG1), 4825 BD Breda, NL

Marijn van der Hoofden Olaf Dijkgraaf
Operations & Engineering Approval Manager

SKIL Europe BV, 4825 BD Breda, NL

04.07.2013

ZAJ/REZGÉS

- Az EN 60745 alapján végzett mérések szerint ezen készülék hangnyomás szintje 94 dB(A) a hangteljesítmény szintje 105 dB(A) (normál eltérés: 3 dB), a rezgésszám * m/s² (kézre-ható érték; szórás K = 1,5 m/s²)
 - * fém fűrésakor 3,0 m/s²
 - * beton ütvefűrésakor 13,2 m/s²
- A rezgés-kibocsátási szint mérése az EN 60745 szabványban meghatározott szabványosított teszttel összhangban történt; ez egy eszköznek egy másik eszközzel történő összehasonlítására, illetve a rezgésnek való kitettség előzetes felmérésére használható fel az eszköznek az említett alkalmazásokra történő felhasználása során
 - az eszköznek eltérő alkalmazásokra, vagy eltérő, illetve rosszul karbantartott tartozékokkal történő felhasználása jelentősen **emelheti** a kitettség szintjét
 - az idő, amikor az eszköz ki van kapcsolva, vagy amikor ugyan működik, de ténylegesen nem végez munkát, jelentősen **csökkentheti** a kitettség szintjét
- ! **az eszköz és tartozékai karbantartásával, kezelésével melegen tartásával, és munkavégzésének megszervezésével védje meg magát a rezgések hatásaitól**

CE

Príklepová vrtačka

6271/6290

ÚVOD

- Náradí je určeno k príklepovému vrtání do dřeva, betonu a hominy, jakož i k vrtání do dřeva, kovu, keramiky a umělé hmoty
- Tento nástroj není určen k profesionálnímu použití
- Tento návod s pokyny si pečlivě přečtěte a uschovejte ③

TECHNICKÁ DATA ①

SOUČÁSTI NÁSTROJE ②

- A Vypínač zapnout/vypnout a regulace rychlosti
- B Tlačítko k zajištění vypínače
- C Kolečko na kontrola maximální rychlosti
- D Spínač na změnu směru otáček
- E Spínač na volbu vrtání funkce
- F Indikátor zvolené funkce vrtání
- G Pomocná rukojeť
- H Hloubkový doraz
- J Větrací štěrby

BEZPEČNOST

VŠEOBECNÉ BEZPEČNOSTNÍ PŘEDPISY

⚠ POZOR! Čtěte všechna varovná upozornění a pokyny. Zanedbání při dodržování varovných upozornění a pokynů mohou mít za následek úder elektrickým proudem, požár a/nebo těžká poranění. **Všechna varovná upozornění a pokyny do budoucna uschovejte.** Ve varovných upozorněních použitý pojem "elektronářadí" se vztahuje na elektronářadí provozované na el. síti (se síťovým kabelem) a na elektronářadí provozované na akumulátoru (bez síťového kabelu).

1) BEZPEČNOST PRACOVNÍHO MÍSTA

- a) **Udržujte Vaše pracovní místo čisté a uklizené.** Nepořádek nebo neosvětlené pracovní oblasti mohou vést k úrazům.
- b) **Se strojem nepracujte v prostředích ohrožených explozí, kde se nacházejí hořlavé kapaliny, plyny nebo prach.** Elektronářadí vytváří jiskry, které mohou prach nebo páry zapálit.
- c) **Děti a jiné osoby udržujte při použití elektronářadí daleko od Vašeho pracovního místa.** Při rozptýlení můžete ztratit kontrolu nad strojem.

2) ELEKTRICKÁ BEZPEČNOST

- a) **Připojovací zástrčka stroje musí lícovat se zásuvkou. Zástrčka nesmí být žádným způsobem upravena. Společně se stroji s ochranným uzemněním nepoužívejte žádné adaptérové zástrčky.** Neupravené zástrčky a vhodné zásuvky snižují riziko elektrického úderu.
- b) **Zabraňte kontaktu těla s uzemněnými povrchy, jako např. potrubí, topení, sporáky a chladničky.** Je-li Vaše tělo uzemněno, existuje zvýšené riziko elektrického úderu.
- c) **Chraňte stroj před deštěm a vlhkem.** Vniknutí vody do elektrického stroje zvyšuje nebezpečí elektrického úderu.
- d) **Dbejte na účel kabelu, nepoužívejte jej k nošení či zavěšení stroje nebo vytažení zástrčky ze zásuvky. Udržujte kabel daleko od tepla, oleje, ostrých hran nebo pohyblivých dílů stroje.** Poškozené nebo spletené kabely zvyšují riziko elektrického úderu.
- e) **Pokud pracujete s elektronářadím venku, použijte pouze takové prodlužovací kabely, které jsou schváleny i pro venkovní použití.** Použití prodlužovacího kabelu, jež je vhodný pro použití venku, snižuje riziko elektrického úderu.

- f) **Pokud se nelze vyhnout provozu elektronářadí ve vlhkém prostředí, použijte ochranný jistič.** Nasazení ochranného jističe snižuje riziko úderu elektrickým proudem.

3) BEZPEČNOST OSOB

- a) **Buďte pozorní, dávejte pozor na to, co děláte a přistupujte k práci s elektronářadím rozumně. Stroj nepoužívejte pokud jste unaveni nebo pod vlivem drog, alkoholu nebo léků.** Moment nepozornosti při použití elektronářadí může vést k vážným poraněním.
 - b) **Noste osobní ochranné pomůcky a vždy ochranné brýle.** Nošení osobních ochranných pomůcek jako maska proti prachu, bezpečnostní obuv s protiskluzovou podrážkou, ochranná přilba nebo sluchátka, podle druhu nasazení elektronářadí, snižují riziko poranění.
 - c) **Zabraňte neúmyslnému uvedení do provozu. Přesvědčte se, že je elektronářadí vypnuté dříve než jej uchopíte, poneseť či připojíte na zdroj proudu a/ nebo akumulátor.** Máte-li při nošení elektronářadí prst na spínači nebo pokud stroj připojíte ke zdroji proudu zapnutý, pak to může vést k úrazům.
 - d) **Než stroj zapnete, odstraňte seřizovací nástroje nebo šroubovák.** Nástroj nebo klíč, který se nachází v otáčivém dílu stroje, může vést k poranění.
 - e) **Nepřečunujte se. Zajistěte si bezpečný postoj a vždy udržujte rovnováhu.** Tím můžete stroj v neočekávaných situacích lépe kontrolovat.
 - f) **Noste vhodný oděv. Nenoste žádný volný oděv nebo šperky. Vlasy, oděv a rukavice udržujte daleko od pohybujících se dílů.** Volný oděv, šperky nebo dlouhé vlasy mohou být zachyceny pohybujícími se díly.
 - g) **Lze-li namontovat odsávací či zachycující přípravky, přesvědčte se, že jsou připojeny a správně použity.** Použití odsávání prachu může snížit ohrožení prachem.
- #### 4) SVĚDOMITÉ ZACHÁZENÍ A POUŽÍVÁNÍ ELEKTRONÁŘADÍ
- a) **Stroj nepřetěžujte. Pro svou práci použijte k tomu určený stroj.** S vhodným elektronářadím budete pracovat v udané oblasti výkonu lépe a bezpečněji.
 - b) **Nepoužívejte žádné elektronářadí, jehož spínač je vadný.** Elektronářadí, které nelze zapnout či vypnout je nebezpečné a musí se opravit.
 - c) **Než provedete seřízení stroje, výměnu dílů příslušenství nebo stroj odložíte, vytáhněte zástrčku ze zásuvky a/nebo odstraňte akumulátor.** Toto preventivní opatření zabrání neúmyslnému zapnutí stroje.
 - d) **Uchovávejte nepoužívané elektronářadí mimo dosah dětí. Nenechte stroj používat osobám, které se strojem nejsou seznámeny nebo nečetly tyto pokyny.** Elektronářadí je nebezpečné, je-li používáno nezkušenými osobami.
 - e) **Pečujte o stroj svědomitě. Zkontrolujte, zda pohyblivé díly stroje bezvadně fungují a nevzpříčují se, zda díly nejsou zlomené nebo poškozené tak, že je omezena funkce stroje. Poškozené díly nechte před nasazením stroje opravit.** Mnoho úrazů má příčinu ve špatné údržbovém elektronářadí.
 - f) **Řezné nástroje udržujte ostré a čisté.** Pečlivě ošetrované řezné nástroje s ostrými řeznými hranami se méně vzpříčují a dají se lehčeji vést.
 - g) **Používejte elektronářadí, příslušenství, nasazovací nástroje apod. podle těchto pokynů. Respektujte**

přítom pracovní podmínky a prováděnou činnost.
Použití elektronářadí pro jiné než určující použití může vést k nebezpečným situacím.

5) SERVIS

- a) **Nechte Váš stroj opravit pouze kvalifikovaným odborným personálem a pouze s originálními náhradními díly.** Tím bude zajištěno, že bezpečnost stroje zůstane zachována.

BEZPEČNOSTNÍ PŘEDPISY PRO PŘÍKLEPOVOU VRTAČKU

OBECNĚ

- Tento nástroj nesmí používat osoby mladší 16 let
- **Před seřizováním, měněním pilových listů a příslušenství, vždy vytáhněte zástrčku nářadí z el. sítě**
- **Noste ochranu sluchu** (působení hluku může způsobit ztrátu sluchu)
- **Používejte přídatné rukojeti dodávané s nářadím** (ztráta kontroly může vést ke zraněním)
- Používejte zcela rozvinuté a bezpečné prodlužovací šňůry o kapacitě 16 ampér
- **Nepracovávajte žádný materiál obsahující azbest** (azbest je karcinogenní)
- Prach z látek, jako jsou barvy obsahující olovo, některé druhy dřeva, minerály a kovy, může být škodlivý (kontakt s prachem nebo jeho vdechnutí může způsobit alergickou reakci a/nebo vyvolat respirační choroby u obsluhy nebo přihlížejících); **noste protiprachovou masku a pracujte se zařízením na odsávání prachu, pokud je možné jej připojit**
- Některé druhy prachu jsou klasifikovány jako karcinogenní (například dubový a bukový prach) zejména ve spojení s přísadami pro úpravu dřeva; **noste protiprachovou masku a pracujte se zařízením na odsávání prachu, pokud je možné jej připojit**
- Dodržujte stanovená nařízení pro práci v prašném prostředí

PŘED POUŽITÍM

- Vždy zkontrolujte, zda je napájecí napětí stejné jako napětí uvedené na typovém štítku nástroje (nářadí určené k napájení 230V nebo 240V lze použít též v síti 220V)
- Vrtačku nepoužívejte je-li navlhla a nepracujte v blízkosti snadno zápalných nebo výbušných materiálů; před zahájením práce je odstraňte
- **Použijte vhodné hledací přístroje k vyhledání skrytých přívodních vedení nebo přivězte místní dodavatelskou společnost** (kontakt s el. vedením může vést k požáru a elektrickému úderu; poškození plynového vedení může vést k explozi; proniknutí do vodovodního potrubí může způsobit věcné škody nebo elektrický úder)
- **Zajistěte obráběný díl** (obráběný díl uchycený pomocí upinacích zařízení nebo ve svěráku je mnohem bezpečnější než v ruce)
- Píla se nesmí používat, je-li její přívodní šňůra poškozená; nechte si je kvalifikovaným pracovníkem vyměnit

PŘÍSLUŠENSTVÍ

- SKIL zajistí bezvadnou funkci nářadí pouze tehdy, používáte-li původní značkové

- Používejte pouze příslušenství, jejichž dovolené otáčky jsou alespoň tak vysoké jako nejvyšší otáčky stroje naprázdno

BĚHEM POUŽITÍ

- Šňůru udržujte vždy mimo dosah pohyblivých částí nástroje
- Jestliže se vrták neočekávaně zadře (a způsobí náhlou, nebezpečnou reakci), okamžitě nástroj vypněte
- **Pokud provádíte práce, při kterých by nástroj mohl zasáhnout skrytá el. vedení nebo vlastní síťový kabel, držte elektronářadí pouze na izolovaných uchopovacích plochách** (kontakt s vedením pod napětím přivádí napětí i na kovové díly stroje a vede k úderu elektrickým proudem)
- V případě atypického chování nebo cizích hluků ihned vypněte nářadí a vytáhněte zástrčku
- Jestliže přivodí šňůru při práci podkódejte nebo proříznete, nedotýkejte se jí a okamžitě ji vytáhněte ze síťové zásuvky

PO POUŽITÍ

- Jakmile se hodláte vzdálit od nářadí, měl byste ho vypnout a vyčkat, dokud se pohyblivé části nezastaví

OBSLUHA

- Zapnuto/vypnuto ④
- Aretace spínače pro nepřetržitě použití ⑤
- Regulator rychlosti k hladkému startu ⑥
- Kontrola maximální rychlosti ⑦
Pomocí ovladače C se reguluje plynule maximální rychlost od nízké až po vysokou
 - zapněte nářadí
 - zajistěte spínač
 - otáčejte kolečkem C pro nastavení maximální rychlosti
- Změna směru otáček ⑧
 - jestliže poloha doleva/doprava správně nezapadne, není možno zapnout vypínač A ②
- ! **směr otáček se smí změnit pouze je-li nástroj zcela zastaven**
- Normální vrtání oproti vrtacímu kladivu ⑨
 - indikátor F ukazuje zvolenou funkci vrtání
- ! **funkce vrtání nastavujte pouze při vypnutém nástroji a když je zástrčka odpojena**
- Výměna hrotů ⑩
 - zasuňte hrot co nehlouběji do skličidle
- ! **nepoužívejte hroty s poškozeným dríkem**
- Seřizování hloubky vrtání ⑪
- Držení a vedení nástroje ⑫
 - ! **skrytých vždy držte nástroj v šedě zbarvené oblasti rukojeti**
 - **vždy držte nářadí za pomocná rukojeť G ②** (lze ji regulovat podle obrázku)
 - udržujte větrací šterbiny J ② nezakryté
 - na nástroj příliš netlačte; nechte jej, aby pracoval za vás

NÁVOD K POUŽITÍ

- Používejte správné vrtáky ⑬
 - ! **používejte pouze ostré hroty**
- Při vrtání do betonu nebo kamene se mubí vyvíjet stálý tlak

- Při vrtání v kovu
 - předvrtejte napřed malý otvor
 - vrták při práci občas naolejujte
- Vrtání dřeva bez vzniku třísek ⑭
- Bezprašné vrtání zdi ⑮
- Bezprašné vrtání stropů ⑯
- Vrtání dlaždic bez skluzu ⑰
- Další tipy najdete na www.skil.com

ÚDRŽBA / SERVIS

- Tento nástroj není určen k profesionálnímu použití
- Nástroj a přírodní šňůru udržujte čisté (zejména větrací šterbiny J ②)
- ! **před čištěním odpojte zástrčku**
- Pokud dojde i přes pečlivou výrobu a náročné kontroly k poruše nástroje, svěťte provedení opravy autorizovanému servisnímu středisku pro elektronářadí firmy SKIL
 - zašlete nástroj **nerozebraný** spolu s potvrzením o nákupu své prodejně nebo nejbližšímu servisu značky SKIL (adresy a servisní schéma nástroje najdete na www.skil.com)

ŽIVOTNÍ PROSTŘEDÍ

- **Elektrické nářadí, doplňky a balení nevyhazujte do komunálního odpadu** (jen pro státy EU)
 - podle evropské směrnice 2002/96/EG o nakládání s použitými elektrickými a elektronickými zařízeními a odpovídajících ustanovení právních předpisů jednotlivých zemí se použítá elektrická nářadí, musí sbírat odděleně od ostatního odpadu a podrobit ekologicky šetrnému recyklování
 - symbol ⑱ na to upozorňuje

PROHLÁŠENÍ O SHODĚ CE

- Prohlašujeme v plné naší zodpovědnosti, že v odstavci "Technická data" popsany výrobek je v souladu s následujícími normami nebo normativními dokumenty: EN 60745, EN 61000, EN 55014, podle ustanovení směrnice 2004/108/ES, 2006/42/ES, 2011/65/EU
- **Technická dokumentace u:** SKIL Europe BV (PT-SEU/ENG1), 4825 BD Breda, NL

Marijn van der Hoofden
Operations & Engineering

Olaf Dijkgraaf
Approval Manager

SKIL Europe BV, 4825 BD Breda, NL

04.07.2013

HLUČNOSTI/VIBRACÍ

- Měřeno podle EN 60745 číni tlak hlukové vlny tohoto přístroje 94 dB(A) a dávka hlučnosti 105 dB(A) (standardní odchylka: 3 dB), a vibrací * m/s² (metoda ruka-paže; nepřesnost K = 1,5 m/s²)
 - * při vrtání do kovu 3,0 m/s²
 - * při vrtání do betonu s přiklepem 13,2 m/s²

- Úroveň vibrací byla měřena v souladu se standardizovaným testem podle EN 60745; je možné ji použít ke srovnání jednoho přístroje s druhým a jako předběžné posouzení vystavování se vibracím při používání přístroje k uvedeným aplikacím
 - používání přístroje k jiným aplikacím nebo s jiným či špatně udržovaným příslušenstvím může zásadně **zvýšit** úroveň vystavení se vibracím
 - doba, kdy je přístroj vypnutý nebo kdy běží, ale ve skutečnosti není využíván, může zásadně **snížit** úroveň vystavení se vibracím
- ! **chráňte se před následky vibrací tak, že budete dbát na údržbu přístroje a příslušenství, budete si udržovat teplé ruce a uspořádáte si své pracovní postupy**

TR

Darbeli matkap

6271/6290

GİRİS

- Bu alet, tuğla, beton ve taş malzemede darbeli delme ile tahta, metal, seramik ve plastik malzemede delme işleri için geliştirimliştir
- Bu alet profesyonel kullanıma yönelik değildir
- Bu kullanıma kılavuzunu okuyun ve saklayın ③

TEKNİK VERİLER ①

ALET BİLEŞENLERİ ②

- A Açma/kapama ve hız kontrol anahtarı
- B Anahtar kilitleme düğmesi
- C Maksimum hızı ayar düğmesi
- D Dönüş yönü değiştirme düğmesi
- E Delme fonksiyonu seçme anahtarı
- F Seçilen delme fonksiyonu göstergesi
- G Yedek tutamak
- H Derinlik ayarı
- J Havalandırma yuvaları

GÜVENLİK

GENEL GÜVENLİK TALİMATI

⚠ DİKKAT! Bütün uyarıları ve talimat hükümlerini okuyun. Açıklanan uyarılara ve talimat hükümlerine uyulmadığı takdirde elektrik çarpmalarına, yangınlara ve/veya ağır yaralanmalara neden olunabilir. **Bütün uyarıları ve talimat hükümlerini ileride kullanmak üzere saklayın.** Uyarı ve talimat hükümlerinde kullanılan "elektrikli el aleti" kavramı, akım şebekesine bağlı (şebeke bağlantı kablosu ile) aletlerle akü ile çalışan aletleri (akım şebekesine bağlantısı olmayan aletler) kapsamaktadır.

1) ÇALIŞMA YERİ GÜVENLİĞİ

- Çalıştığınız yeri temiz ve düzenli tutun.** İşyerindeki düzensizlik veya yetersiz aydınlatma kazalara neden olabilir.
- Yanıcı sıvıların, gazların veya tozların bulunduğu patlama tehlikesi olan yer ve mekânlarda aletinizle**

çalışmayın. Elektrikli el aletleri, toz veya buharların tutuşmasına veya yanmasına neden olan kıvılcımlar çıkarırlar.

- c) **Elektrikli el aletinizle çalışırken çocukları ve başkalarını çalışma alanınızın uzağında tutun.** Yakınızdaki bulunan kişiler dikkatinizi dağıtabilir ve bu da alet üzerindeki kontrolünüzü kaybetmenize neden olabilir.

2) ELEKTRİKSEL GÜVENLİK

- a) **Aletinizi bağlantı fişi prize uymalıdır. Fişi hiçbir şekilde değiştirmeyin. Koruyucu topraklamalı aletlerle adaptörlü fiş kullanmayın.** Değiştirilmemiş, orijinal fiş ve uygun prizler elektrik çarpmaya tehlikesini azaltır.
- b) **Borular, kalorifer tesisatı, ısıtıcılar ve buzdolapları gibi topraklanmış yüzeylerle bedensel temasa gelmekten kaçının.** Eğer bedeniniz topraklanacak olursa yüksek bir elektrik çarpmaya tehlikesi ortaya çıkar.
- c) **Aletinizi yağmur ve nemden koruyun.** Elektrikli el aletinin içine suyun sızması elektrik çarpmaya tehlikesini yükseltir.
- d) **Kabloyu kendi amacı dışında kullanmayın; örneğin aleti kablodan tutarak taşımayın, aleti kablo ile asmayın veya kablodan çekerek fişi prizden çıkarmayın. Kabloyu aşırı ısıctan, yağlardan, keskin kenarlı cisimlerden veya aletin hareketli parçalarından uzak tutun.** Hasarlı veya dolaşmış kablo elektrik çarpmaya tehlikesini yükseltir.
- e) **Elektrikli el aletinizle açık havada çalışırken mutlaka açık havada kullanılmaya müsadeleli uzatma kablosu kullanın.** Açık havada kullanılmaya uygun ve müsadeleli uzatma kablosunun kullanılması elektrik çarpmaya tehlikesini azaltır.
- f) **Elektrikli el aletinin nemli ortamlarda çalıştırılması şartsa, mutlaka toprak kaçağı devre kesicisi kullanın.** Toprak kaçağı devre kesicisi kullanımı elektrik çarpmaya tehlikesini azaltır.

3) KİŞİLERİN GÜVENLİĞİ

- a) **Dikkatli olun, ne yaptığınıza dikkat edin ve elektrikli el aletinizle çalışırken makul hareket edin. Yorgunsanız, hap, ilaç veya alkol almışsanız aletinizi kullanmayın.** Aletinizi kullanırken bir anlık dikkatsizliğiniz ciddi yaralanmalara yol açabilir.
- b) **Daima kişisel korunma donanımları ve bir koruyucu gözlük kullanın.** Elektrikli el aletinin türü ve kullanımına uygun olarak kullanacağınız toz maskesi, kaymayan sağlam iş ayakkabıları, koruyucu kask veya koruyucu kulaklık gibi kişisel korunma donanımlarını kullanmanız yaralanma tehlikesini büyük ölçüde azaltır.
- c) **Aleti yanlışlıkla çalıştırmaktan kaçının. Akım kılmal şebekesine ve/veya aküye bağlamadan, elinize alıp taşımadan önce elektrikli el aletinin kapalı durumda olduğundan emin olun.** Elektrikli el aletini parmağınız şalter üzerinde dururken taşırırsanız ve alet açikken fişi prize sokarsanız kazalara neden olabilirsiniz.
- d) **Aleti çalıştırmadan önce ayar aletlerini veya tornavidaları aletten uzaklaştırın.** Dönen alet parçasına temas halinde bulunan bir uç veya anahtar yaralanmalara neden olabilir.
- e) **Kendinize çok fazla güvenmeyin. Duruşunuzun güvenli olmasına dikkat edin ve daima dengelenizi koruyun.** Bu sayede aletinizi beklenmedik durumlarda daha iyi kontrol edersiniz.

- f) **Uygun iş giysileri giyin. Çalışırken çok bol giysiler giymeyin ve takı takmayın. Saçlarınızı, giysilerinizi ve eldivenlerinizi aletin hareketli parçalarından uzak tutun.** Bol giysiler, takılar veya uzun saçlar aletin hareketli parçaları tarafından tutulabilir.
- g) **Aletinize toz emme donanımı ve toz tutma donanımı takılabiliyorsa, bunların bağlı olup olmadığını ve doğru işlev görüp görmediklerini kontrol edin.** Toz emme donanımının kullanımı tozdan kaynaklanabilecek tehlikeleri azaltır.
- ## 4) ELEKTRİKLİ EL ALETLERİYLE DİKKATLİ ÇALIŞMAK VE ALETİ DOĞRU KULLANMAK
- a) **Aletinizi aşırı ölçüde zorlamayın. İşinize uygun elektrikli el aletini kullanın.** Uygun elektrikli el aleti ile belirtilen performans alanında daha iyi ve daha güvenli çalışırsınız.
- b) **Açma/kapama şalteri arızalı olan elektrikli el aletini kullanmayın.** Açılıp kapanamayan bir elektrikli el aleti tehlikelidir ve onarılması gerekir.
- c) **Alette bir ayarlama işlemine başlamadan ve/veya aküyü çıkarmadan önce, herhangi bir aksesuarı değiştiren veya aleti elinizden bırakırken fişi prizden çekin.** Bu önlem, aletin kontrolünüz dışında ve istenmeden çalışmasını önler.
- d) **Kullanım dışında iken elektrikli el aletinizi çocukların ulaşamayacağı bir yerde saklayın. Aleti kullanmayı bilmeyen veya bu güvenlik talimatını okumayan kişilerin aleti kullanmasına izin vermeyin.** Deneyimsiz kişiler tarafından kullanıldıkları takdirde elektrikli el aletleri tehlikeli olabilirler.
- e) **Aletinizin bakımını özenle yapın. Aletin hareketli parçalarının kusursuz işlev görüp görmediklerini ve sıkışmadıklarını, parçaların kırık veya hasarlı olup olmadıklarını kontrol edin, aksi takdirde alet işlevini tam olarak yerine getiremez. Aletinizi kullanmadan önce hasarlı parçaları onartın.** Birçok iş kazası aletlerin kötü ve yetersiz bakımından kaynaklanır.
- f) **Kesici uçları keskin ve temiz tutun.** İyi bakım görmüş kesici uçlar daha ender sıkışır ve daha iyi yönlendirilirler.
- g) **Elektrikli el aletlerini, aksesuarı, uçları ve benzerlerini bu güvenlik talimatına uygun olarak kullanın. Aletinizi kullanırken çalışma koşullarını ve yaptığınız işi daima dikkate alın.** Elektrikli el aletlerini kendileri için öngörülen işlerin dışında kullanmak tehlikeli durumların ortaya çıkmasına neden olabilir.

5) SERVİS

- a) **Aletinizi sadece uzman bir elemana ve orijinal yedek parçaları kullanarak onartın.** Böylelikle aletin güvenliğini korumuş olursunuz.

DARBELİ MATKAP İÇİN GÜVENLİK TALMATI

GENEL

- Bu alet 16 yaşının altındaki kişiler tarafından kullanılmamalıdır
- İsteddiğiniz ayar değişikliklerini ve aksesuar değişikliklerini yapmadan önce mutlaka benzer fişini prizden çekin
- Koruyucu kulaklık kullanın (çalışırken çıkan gürültü kalıcı işitme kayıplarına neden olabilir)
- Aleti ile birlikte teslim edilen ek tutamağı kullanın (aletin kontrolünün kaybı yaralanmalara neden olabilir)

- Tamamen kusursuz ve güvenli 16 Amp uzatma kabloları kullanın
- **Bu aletle asbest içeren malzemeleri işlemeyin** (asbest kanserojen bir madde kabul edilir)
- Kurşun içeren boya, bazı ahşap türleri, mineral ve metal gibi malzemelerden çıkan toz zararlı olabilir (tozla temasta bulunulması veya alınması operatörde veya yakında bulunan kişilerde alerjik reaksiyonlara ve/veya solunum yolu hastalıklarına neden olabilir); **toz maskesi takın ve toz ekstraksiyon cihazıyla çalışın (bağlanabiliyorsa)**
- Bazı toz tipleri (örneğin meşe ve kayın ağacı tozu), bilhassa ahşap yenileme katkı maddeleriyle birlikte, kansinojenik olarak sınıflandırılır; **toz maskesi takın ve toz ekstraksiyon cihazı ile çalışın (bağlanabiliyorsa)**
- Çalışmak istediğiniz malzemelerin, toz ile ilgili ulusal taleplerini takip ediniz

KULLANMADAN ÖNCE

- Güç geriliminin, aletin özellik plakasında belirtilen voltaj değeriyle aynı olduğunu sık sık kontrol edin (230V veya 240V aletler 220V kaynağa bağlanabilir)
- İş parçasının vida, çivi ve benzeri malzeme tarafından hasar görmemesi için dikkatli olun; çalışmaya başlamadan önce bunları çıkartın
- **Görünmeyen elektrik kablolarını belirlemek için uygun bir tarama cihazı kullanın veya yerel akım ikmal şirketlerinden yardım isteyin** (elektrik kablolarıyla temas, yangın çıkmasına veya elektrik çarpmalarına neden olabilir; bir gaz borusu hasar görürse patlama tehlikesi ortaya çıkar; bir su borusunun delinmesi halinde maddi hasarlar meydana gelebilir veya elektrik çarpmaya tehlikesi ortaya çıkabilir)
- **Çalıştığınız parçayı sabitleyin** (kıskaçlarla ya da mengeneyle sabitlenmiş bir iş parçası elle tutulan işten daha güvenilirdir)
- Kordon hasarlı iken cihazı kesinlikle kullanmayınız; uzman bir kişi tarafından değiştirtiniz

AKSESUARLAR

- SKIL sadece orjinal aksesuarlar kullanıldığında aletin düzgün çalışmasını garanti eder
- Bu aletle kullanacağınız aksesuar edilen devir sayısı en azından aletin boştaki en yüksek devir sayısı kadar olmalıdır

KULLANIM SIRASINDA

- Kabloyu her zaman aletin hareketli parçalarından uzak tutun
- Eğer matkap beklenmedik şekilde sıkışırsa (ani tehlikeli bir tepkiye sebep olarak) aleti hemen kapatın
- **Alet ucunun görünmeyen elektrik kablolarına veya kendi bağlantı kablosuna temas etme olasılığı olan işleri yaparken aleti sadece izolasyonlu tutamaklarından tutun** (akım ileten elektrik kablolarıyla temas aletin metal parçalarının da elektrik akımına maruz kalmasına ve elektrik çarpmalarına neden olabilir)
- Elektriksel veya mekaniksel hatalı çalışma durumunda aleti hemen kapatın ve fişi çekin
- Eğer cihazı kullanırken kordon hasar görür yada kesilirse, kordona kesinlikle dokunmayınız ve derhal fişi çekiniz

KULLANIMDAN SONRA

- Aletinizi bırakıp gitmeden önce mutlaka kapatın ve döner parçaların tam olarak durmasını bekleyin

KULLANIM

- Açma/kapama ④
- Sürekli kullanım için anahtar kilitleme ⑤
- Düzgün başlama için hız kontrolü ⑥
- Maksimum hız kontrolü ⑦
- Ayar düğmesi C ile maksimum hız en en düşük değerden en yüksek değere kadar kademesiz olarak ayarlanabilir
 - aleti çalıştırın
 - şalteri tespit edin
 - ayar düğmesi C ile maksimum hızı seçin
- Dönüş yönünü değiştirme ⑧
 - sol/sağ pozisyonları doğru olarak kilitletme yapmadığı takdirde, açma/kapama şalteri A ② çalışmaz
- **! dönüş yönünü sadece alet tamamen dururken değiştirin**
- Normal delme ile darbeli delme ⑨
 - gösterge F seçilen delme fonksiyonunu gösterir
- **! delme fonksiyonunu sadece alet kapalıyken ve cihazın fısı takılı değilken seçin**
- Uçları değiştirme ⑩
 - uçları yuvaya mümkün olduğu kadar çok otun
- **! hasarlı uçları kullanmayın**
- Delik derinliğinin ayarlanması ⑪
- Aletin tutulması ve kullanılması ⑫
 - **! çalışma esnasında, aleti daima gri renkli bölge(ler)den tutun(uz)**
 - daima yardımcı kulpunu G ② kullanın (gösterdiği gibi ayarlanabilir)
 - havalandırma yuvalarını J ② açık tutun
 - alete çok fazla baskı uygulamayın, bırakın alet sizin için çalışsın


UYGULAMA

- Uygun uçları kullanın ⑬
 - **! sadece keskin uçlar kullanın**
- Beton veya taştta delme yaparken, matkap ucu üzerine sürekli ve düzenli olarak baskı uygulanmalıdır
- Metalde delik açarken
 - önce küçük bir kılavuz delik açın
 - matkap uçlarını belirli aralıklarla yağlayın
- Tahtada çatlaksız delme ⑭
- Duvarlarda tozsuz delme ⑮
- Tavanlarda tozsuz delme ⑯
- Fayans üzerinde kaydırmadan delme ⑰
- Daha fazla ipucu için www.skil.com sitesini gezin

BAKIM / SERVİS

- Bu alet profesyonel kullanıma yönelik değildir
- Aleti ve kablosunu daima temiz tutun (özellikle havalandırma yuvalarını J ②)
- **! temizledikten önce, cihazın fişini prizden çekin**
- Dikkatli biçimde yürütülen üretim ve test yöntemlerine rağmen aleti arıza yapacak olursa, onarım SKIL elektrikli aletleri için yetkili bir serviste yapılmalıdır
 - aleti ambalajıyla birlikte satın alma belgenizde ekleyerek satıcınıza veya en yakın SKIL servisine ulaştırın (adresler ve aletin servis şemaları www.skil.com adresinde listelenmiştir)

ÇEVRE

- **Elektrikli aletlerini, aksesuarları ve ambalajları evdeki çöp kutusuna atmayınız** (sadece AB ülkeleri için)
 - kullanılmış elektrikli aletleri, elektrik ve elektronikli eski cihazlar hakkındaki 2002/96/EC Avrupa yönergelerine göre ve bu yönergeler ulusal hukuk kurallarına göre uyarlanarak, ayrı olarak toplanmalı ve çevre şartlarına uygun bir şekilde tekrar değerlendirmeye gönderilmelidir
 - sembol  size bunu anımsatmalıdır

UYGUNLUK BEYANI CE

- Tek sorumlu olarak "Teknik veriler" bölümünde tanımlanan ürünün aşağıdaki norm veya normatif belgelere uygunluğunu beyan ederiz: EN 60745, EN 61000, EN 55014 yönetmelik hükümleri uyarınca 2004/108/EG, 2006/42/EG, 2011/65/EU
- **Teknik belgelerin bulunduğu merkez:** SKIL Europe BV (PT-SEU/ENG1), 4825 BD Breda, NL

Marijn van der Hoofden
Operations & Engineering

Olaf Dijkgraaf
Approval Manager

SKIL Europe BV, 4825 BD Breda, NL

04.07.2013

GÜRÜLTÜ/TİTREŞİM


- Ölçülen EN 60745 göre ses basıncı bu makinanın seviyesi 94 dB(A) ve çalışma sırasındaki gürültü 105 dB(A) (standart sapma: 3 dB), ve titreşim * m/s² (el-kol metodu; tolerans K = 1,5 m/s²)
 - * metalde delerken 3,0 m/s²
 - * betonde darbeli delerken 13,2 m/s²
 - Titreşim emisyon seviyesi EN 60745'te sunulan standart teste göre ölçülmüştür; bu seviye, bir aleti bir başkasıyla karşılaştırmak amacıyla ve aletin söz konusu uygulamalarda kullanılması sırasında titreşime maruz kalma derecesinin ön değerlendirmesi olarak kullanılabilir
 - aletin farklı uygulamalar için veya farklı ya da bakımı yetersiz yapılmış aksesuarlarla kullanılması, maruz kalma seviyesini belirgin biçimde **arttırabilir**
 - aletin kapalı olduğu veya çalıştığı ancak gerçek anlamda iş yapmadığı zamanlarda, maruz kalma seviyesi belirgin biçimde **azalabilir**
- ! aletin ve aksesuarlarının bakımını yaparak, ellerinizi sıcak tutarak ve iş modellerinizi düzenleyerek kendinizi titreşimin etkilerinden koruyun**

PL

Wiertarka udarowa

6271/6290

WSTĘP

- Narzędzie to przeznaczone jest do wiercenia z udarem w cegle, betonie, kamieniu oraz do wiercenia w drewnie, metalu, materiałach ceramicznych i tworzywach sztucznych
- Narzędzie nie jest przeznaczone do zastosowań profesjonalnych
- Przeczytać i zachować niniejszą instrukcję obsługi 

DANE TECHNICZNE

ELEMENTY NARZĘDZIA

- A Przycisk włącznik/wyłącznik i regulator prędkości
- B Przycisk blokady włącznika
- C Pokrętko do kontrola maksymalnej prędkości obrotowej
- D Przelącznik zmiany kierunku rotacji
- E Przelącznik wyboru funkcji wiercenia
- F Wskaźnik wyboru funkcji wiercenia
- G Uchwyt dodatkowy
- H Ogranicznik głębokości wiercenia
- J Szczeliny wentylacyjne

BEZPIECZEŃSTWO

OGÓLNE PRZEPISY BEZPIECZEŃSTWA

UWAGA! Należy przeczytać wszystkie wskazówki i przepisy. Błędy w przestrzeganiu poniższych wskazówek mogą spowodować porażenie prądem, pożar i/lub ciężkie obrażenia ciała. **Należy starannie przechowywać wszystkie przepisy i wskazówki bezpieczeństwa dla dalszego zastosowania.** Użyte w poniższym tekście pojęcie "elektronarzędzie" odnosi się do elektronarzędzi zasilanych energią elektryczną z sieci (z przewodem zasilającym) i do elektronarzędzi zasilanych akumulatorami (bez przewodu zasilającego).

1) BEZPIECZEŃSTWO MIEJSCA PRACY

- Miejsce pracy należy utrzymywać w czystości i dobrze oświetlone.** Nieporządek lub nie oświetlone miejsce pracy mogą doprowadzić do wypadków.
- Nie należy pracować tym narzędziem w otoczeniu zagrożonym wybuchem, w którym znajdują się np. łatwopalne ciecz, gazy lub pyły.** Elektronarzędzia wytwarzają iskry, które mogą podpalić ten pył lub pary.
- Elektronarzędzie trzymać podczas pracy z daleka od dzieci i innych osób.** Przy nieuwadze można stracić kontrolę nad narzędziem.

2) BEZPIECZEŃSTWO ELEKTRYCZNE

- Wtyczka urządzenia musi pasować do gniazda. Nie wolno modyfikować wtyczki w jakikolwiek sposób. Nie należy używać wtyczek adapterowych razem z uziemnionymi narzędziami.** Nieziemnione wtyczki i pasujące gniazda zmniejszają ryzyko porażenia prądem.
- Należy unikać kontaktu z uziemnionymi powierzchniami jak rury, grzejniki, piece i lodówki.**

Istnieje zwiększone ryzyko porażenia prądem, gdy Państwa ciało jest uziemnione.

- c) **Urządzenie należy przechowywać zabezpieczone przed deszczem i wilgocią.** Wniknięcie wody do elektronarzędzia podwyższa ryzyko porażenia prądem.
 - d) **Nigdy nie należy używać kabla do innych czynności. Nigdy nie używać kabla do noszenia urządzenia za kabel, zawieszenia lub do wyciągania wtyczki z gniazda. Kabel należy trzymać z daleka od wysokich temperatur, oleju, ostrych krawędzi lub ruchomych części urządzenia.** Uszkodzone lub poplątane kable zwiększają ryzyko porażenia prądem.
 - e) **W przypadku, kiedy elektronarzędziem pracuje się na świeżym powietrzu należy używać kabla przedłużającego, który dopuszczony jest do używania na zewnątrz.** Użycie dopuszczonego do używania na zewnątrz kabla przedłużającego zmniejsza ryzyko porażenia prądem.
 - f) **Jeżeli nie da się uniknąć zastosowania elektronarzędzia w wilgotnym otoczeniu, należy użyć wyłącznika ochronnego różnicowo-prądowego.** Zastosowanie wyłącznika ochronnego różnicowo-prądowego zmniejsza ryzyko porażenia prądem.
- ### 3) BEZPIECZEŃSTWO OSÓB
- a) **Należy być uważnym, uważać na to co się robi i pracę elektronarzędziem rozpoczynać z rozsądkiem. Nie należy używać urządzenia gdy jest się zmęczonym lub pod wpływem narkotyków, alkoholu lub lekarstw.** Moment nieuwagi przy użyciu urządzenia może doprowadzić do poważnych urażeń ciała.
 - b) **Należy nosić osobiste wyposażenie ochronne i zawsze okulary ochronne.** Noszenie osobistego wyposażenia ochronnego jak maska przeciwpylowa, nie ślizgające się buty robocze, hełm ochronny lub ochrona słuchu, w zależności od rodzaju i zastosowania elektronarzędzia zmniejsza ryzyko obrażeń ciała.
 - c) **Należy unikać niezamierzonego uruchomienia narzędzia. Przed włożeniem wtyczki do gniazda i/ lub podłączeniem do akumulatora, a także przed podniesieniem lub przeniesieniem elektronarzędzia, należy upewnić się, że elektronarzędzie jest wyłączone.** Trzymanie palca na wyłączniku podczas przenoszenia elektronarzędzia lub podłączenie do prądu włączonego narzędzia, może stać się przyczyną wypadków.
 - d) **Zanim urządzenie zostanie włączone należy usunąć narzędzia nastawcze lub klucze.** Narzędzie lub klucz, które znajdują się w ruchomych częściach urządzenia mogą doprowadzić do obrażeń ciała.
 - e) **Nie należy przeceniać swoich możliwości. Należy dbać o bezpieczną pozycję pracy i zawsze utrzymywać równowagę.** Przez to możliwa jest lepsza kontrola urządzenia w nieprzewidywanych sytuacjach.
 - f) **Należy nosić odpowiednie ubranie. Nie należy nosić luźnego ubrania lub biżuterii. Włosy, ubranie i rękawice należy trzymać z daleka od ruchomych elementów.** Luźne ubranie, biżuteria lub długie włosy mogą zostać pociągnięte przez poruszające się części.
 - g) **W przypadku, kiedy możliwe jest zamontowanie urządzeń odsysających lub podchwytyjących należy upewnić się, czy są one właściwie podłączone i**

prawidłowo użyte. Użycie urządzenia odsysającego pył może zmniejszyć zagrożenie pyłami.

4) UWAGNE OBCOWANIE ORAZ UŻYCIE ELEKTRONARZĘDZIA

- a) **Nie należy przeciążać urządzenia. Do pracy używać należy elektronarzędzia, które jest do tego przewidziane.** Odpowiednim narzędziem pracuje się lepiej i bezpieczniej w podanym zakresie sprawności.
- b) **Nie należy używać elektronarzędzia, którego włącznik/wyłącznik jest uszkodzony.** Elektronarzędzie, którego nie można włączyć lub wyłączyć jest niebezpieczne i musi zostać naprawione.
- c) **Przed regulacją urządzenia, wymianą osprzętu lub po zaprzestaniu pracy narzędziem, należy wyciągnąć wtyczkę z gniazda i/lub usunąć akumulator.** Ten środek ostrożności zapobiega niezamierzonemu włączeniu się urządzenia.
- d) **Nie używane elektronarzędzia należy przechowywać poza zasięgiem dzieci. Nie należy udostępniać narzędzia osobom, które jego nie umieją lub nie przeczytały tych przepisów.** Używane przez niedoświadczone osoby elektronarzędzia są niebezpieczne.
- e) **Urządzenie należy starannie konserwować. Należy kontrolować, czy ruchome części urządzenia funkcjonują bez zarzutu i nie są zablokowane, czy części nie są pęknięte lub uszkodzone, co mogłoby mieć wpływ na prawidłowe funkcjonowanie urządzenia. Uszkodzone narzędzie należy przed użyciem urządzenia oddać do naprawy.** Wiele wypadków spowodowanych jest przez niewłaściwą konserwację elektronarzędzi.
- f) **Osprzęt tnący należy utrzymywać ostry i czysty.** Starannie pielęgnowany osprzęt tnący z ostrymi krawędziami tnącymi blokuje się rzadziej i łatwiej się używa.
- g) **Elektronarzędzia, osprzęt, narzędzia itd. należy używać odpowiednio do tych przepisów. Uwzględnić należy przy tym warunki pracy i czynność do wykonania.** Użycie elektronarzędzi do innych niż przewidziane prace może doprowadzić do niebezpiecznych sytuacji.

5) SERWIS

- a) **Naprawę urządzenia należy zlecić jedynie kwalifikowanemu fachowcowi i przy użyciu oryginalnych części zamiennych.** To gwarantuje, że bezpieczeństwo użytkownika zostanie zachowane.

PRZEPISY BEZPIECZEŃSTWA DO WIERTARKI UDAROWEJ

OGÓLNE

- Narzędzie nie powinny używać dzieci poniżej 16 roku życia
- **Przed przystąpieniem do wykonywania jakichkolwiek czynności przy narzędziu, w czasie przerw w pracy jak również po jej zakończeniu wyjąć wtyczkę z gniazda sieciowego**
- **Zakładać ochronniki słuchu** (wpływ hałasu może spowodować utratę słuchu)
- **Narzędzia używać z dodatkowymi rękawicami dostarczonymi z narzędziem** (utrata kontroli może spowodować osobiste obrażenia operatora)

- W przypadku korzystania z kabla przedłużającego należy zwrócić uwagę, aby był maksymalnie nawinięty na bęben oraz był przystosowany do przewodzenia prądu o natężeniu przynajmniej 16 A
- **Nie należy obrabiać materiału zawierającego azbest** (azbest jest rakotwórczy)
- Pył pochodzący z takich materiałów, jak farby zawierające ołów, niektóre gatunki drzewa, minerały i metal może być szkodliwy (kontakt z nim lub wdychanie takiego pyłu może powodować reakcje alergiczne i/lub niewydolność oddechową u operatora lub osób towarzyszących); **należy zakładać maskę przeciwpyłową i pracować z urządzeniem odsysającym, jeżeli można je podłączyć**
- Niektóre rodzaje pyłu są zaklasyfikowane jako rakotwórcze (takie, jak pył dębu i buka) szczególnie w połączeniu z dodatkami do kondycjonowania drewna; **należy zakładać maskę przeciwpyłową i pracować z urządzeniem odsysającym pył, jeżeli można je podłączyć**
- Należy stosować się do lokalnych wymogów dotyczących pracy w otoczeniu pyłu powstającego podczas obróbki materiału

PRZED UŻYCIEM

- Każdorazowo należy sprawdzać, czy napięcie zasilania jest zgodne z napięciem podanym na tabliczce znamionowej urządzenia (narzędzia na napięcie znamionowe 230V lub 240V zasilac można także napięciem 220V)
- Uwaga na gwoździe, śruby i inne twarde przedmioty; przed przystąpieniem do obróbki powinny być usunięte z obrabianego przedmiotu; usunąć je przed rozpoczęciem pracy
- **Aby wykryć ukryte przewody zasilające należy używać stosownych detektorów lub porozumieć się z miejscowymi zakładami energetycznymi** (kontakt z przewodami elektrycznymi może doprowadzić do pożaru i porażenia elektrycznego; uszkodzenie przewodu gazowego może doprowadzić do wybuchu; uszkodzenie przewodów instalacji wodociągowej powoduje szkody rzeczowe i może spowodować porażenie elektryczne)
- **Należy zabezpieczyć miejsce przeznaczone do zszycia** (miejsce przeznaczone do zszycia umieszczone w zaciskach lub imadle jest utrzymywane w miejscu bezpieczniejsze niż w ręku)
- Pod żadnym pozorem nie wolno korzystać z narzędzia z uszkodzonym przewodem; zleć jego wymianę wykwalifikowanej osobie

AKCESORIA

- SKIL może zagwarantować bezawaryjne działanie narzędzia tylko przy korzystaniu z oryginalnego wyposażenia dodatkowego
- Używać tylko akcesoriów, których dopuszczalna prędkość obrotowa jest co najmniej tak wysoka jak najwyższa prędkość obrotowa urządzenia na biegu bez obciążenia

PODCZAS UŻYWANIA

- Kabel zasilający powinien stale znajdować się w bezpiecznej odległości od wirującej części elektronarzędzia

- Natychmiast wyłączyć narzędzie, gdy wiertło niespodziewanie ulegnie zakleszczeniu (wywołując nagłą, niebezpieczną reakcję)
- **Elektronarzędzie należy dotykać jedynie przy izolowanych powierzchniach uchwytu, gdy przeprowadza się prace, przy których używane narzędzie może natrafić na ukryte przewody elektryczne lub na własny kabel zasilający** (kontakt z przewodem znajdującym się pod napięciem doprowadza również do tego, że metalowe części elektronarzędzia znajdują się również pod napięciem i doprowadzi do porażenia prądem)
- W przypadku wadliwego działania mechanicznych lub elektrycznych elementów urządzenia, należy bezzwocznie odłączyć narzędzie i wyjąć wtyczkę
- W przypadku uszkodzenia lub przecięcia przewodu podczas pracy, nie wolno go dotykać, tylko należy natychmiast wyciągnąć z gniazdka wtyczkę

PO UŻYCIU

- Przed pozostawieniem elektronarzędzia należy odłączyć zasilanie elektryczne i odczekać do całkowitego zatrzymania się wrzeciona

UŻYTKOWANIE

- Włącznik/wyłącznik ④
- Blokada włącznika dla pracy ciągłej ⑤
- Regulacja prędkości dla płynnego startu ⑥
- Kontrola maksymalnej prędkości obrotowej ⑦
Pokrętło C umożliwia dokonanie bezstopniowego wyboru maksymalnej prędkości obrotowej od wartości minimalnych do maksymalnych
 - włączyć narzędzie
 - włącznik/wyłącznik zablokować
 - wybrać pokrętłem C maksymalną prędkość obrotową
- Zmiana kierunku obrotów ⑧
 - w przypadku niewłaściwej pozycji przełącznika w lewo/prawo przycisk włącznika/wyłącznika A ② jest zablokowany
- ! **kierunek obrotów zmieniać tylko wtedy, gdy narzędzie jest całkowicie zatrzymane**
- Normalne wiercenie i wiercenie z udarem ⑨
 - wskaźnik F pokazuje wybraną funkcję wiercenia
- ! **rodzaj wiercenia wybierać tylko przy wyłączonym urządzeniu i odłączonym zasilaniu**
- Wymiana wiertła ⑩
 - wsunąć wiertło możliwie głęboko w uchwyt
- ! **nie używać wiertła ze zniszczonym uchwytem**
- Ustawienie głębokości wiercenia ⑪
- Utrzymywanie i prowadzenie narzędzia ⑫
 - ! **podczas pracy zawsze trzymać narzędzie za uchwyt(y) ograniczonym szarym kolorem**
 - **należy zawsze korzystać z pomocniczy uchwyt G ②** (istnieje możliwość regulacji, tak jak przedstawiono na rysunku)
 - szczeliny wentylacyjne J ② powinny być odkryte
 - nie przyciskać urządzenia zbyt silnie; pozwól mu pracować dla ciebie

WSKAZÓWKI UŻYTKOWANIA

- Używać właściwych wiertel ⑬
! używać tylko ostrych wiertel
- Wierty przy wierceniu w betonie powinno być stale dociśnięte do obrabianego materiału
- Wiercenie otworów w metalach, w skład których wchodzi żelazo
 - podczas wiercenia dużych otworów należy wstępnie wywiercić mały otwór
 - od czasu do czasu naoliwić wiertło
- Przewiercanie przedmiotów drewnianych bez wrywania krawędzi ⑭
- Bezpyłowe wiercenie w ścianie ⑮
- Bezpyłowe wiercenie w suficie ⑯
- Wiercenie bez poślizgu w płytkach ceramicznych ⑰
- Więcej wskazówek można znaleźć pod adresem www.skil.com

KONSERWACJA / SERWIS

- Narzędzie nie jest przeznaczone do zastosowań profesjonalnych
- Zawsze dbać o czystość narzędzia i przewodu zasilającego (a szczególnie otworów wentylacyjnych J ②)
! przed przystąpieniem do czyszczenia należy wyjąć wtyk z gniazda sieciowego
- Jeśli narzędzie, mimo dokładnej i wszechstronnej kontroli produkcyjnej ulegnie kiedykolwiek awarii, naprawę powinien przeprowadzić autoryzowany serwis elektronarzędzi firmy SKIL
 - odesłać **nierozebrany** narzędzie, wraz z dowodem zakupu, do dealera lub do najbliższego punktu usługowego SKIL (adresy oraz diagram serwisowy narzędzenia znajdują się na stronach www.skil.com)

ŚRODOWISKO

- **Nie wyrzucaj elektronarzędzi, akcesoriów i opakowania wraz z odpadami z gospodarstwa domowego** (dotyczy tylko państw UE)
 - zgodnie z Europejską Dyrektywą 2002/96/WE w sprawie zużytego sprzętu elektrotechnicznego i elektronicznego oraz dostosowaniem jej do prawa krajowego, zużyte elektronarzędzia należy posegregować i zutylizować w sposób przyjazny dla środowiska
 - w przypadku potrzeby pozbycia się narzędzia, akcesoriów i opakowania - symbol ⑱ przypomni Ci o tym

DEKLARACJA ZGODNOŚCI CE

- Oświadczamy z pełną odpowiedzialnością, że produkt, przedstawiony w "Dane techniczne", odpowiada wymaganiom następujących norm i dokumentów normatywnych: EN 60745, EN 61000, EN 55014, zgodnie z wymaganiami dyrektyw 2004/108/EU, 2006/42/EU, 2011/65/EU

- **Dokumentacja techniczna:** SKIL Europe BV (PT-SEU/ENG1), 4825 BD Breda, NL

Marijn van der Hoofden Olaf Dijkgraaf
Operations & Engineering Approval Manager

SKIL Europe BV, 4825 BD Breda, NL

04.07.2013

HAŁASU/WIBRACJE

- Pomiarów dokonano zgodnie z normą EN 60745 ciśnienie akustyczne narzędzia wynosi 94 dB(A) zaś poziom mocy akustycznej 105 dB(A) (poziom odchylenie: 3 dB), zaś wibracje * m/s² (metoda dłoń-ręka; błąd pomiaru K = 1,5 m/s²)
 - * podczas wiercenia w metalie 3,0 m/s²
 - * podczas wiercenia z udarem w betonie 13,2 m/s²
- Poziom emisji wibracji został zmierzony zgodnie z testem standaryzowanym podanym w EN 60745; może służyć do porównania jednego narzędzia z innym i jako ocena wstępna narażenia na wibracje w trakcie używania narzędzia do wymienionych zadań
 - używanie narzędzia do innych zadań, lub z innymi albo źle utrzymanymi akcesoriami, może znacząco **zwiększyć** poziom narażenia
 - przypadki, kiedy narzędzie jest wyłączone lub jest czynne, ale aktualnie nie wykonuje zadania, mogą znacząco **zmniejszyć** poziom narażenia
- ! należy chronić się przed skutkami wibracji przez konserwację narzędzia i jego akcesoriów, zakładanie rękawic i właściwą organizację pracy**

RU

Ударная дрель

6271/6290

ВВЕДЕНИЕ

- Этот инструмент предназначен для сверления с ударом по кирпичу, бетону и камню, а также для сверления по дереву, металлу, керамике и пластмассе
- Данный инструмент не подходит для промышленного использования
- Прочитайте и сохраните с данной инструкцией ③

ТЕХНИЧЕСКИЕ ДАННЫЕ ①

ДЕТАЛИ ИНСТРУМЕНТА ②

- A** Курок-выключатель вкл/выкл и регулятор скорости
- B** Кнопка для запираания выключателя
- C** Колесико регулятора максимальной скорости
- D** Выключатель для изменения направления вращения
- E** Переключатель установки функции сверления
- F** Индикатор выбранной функции сверления
- G** Вспомогательная ручка
- H** Регулятор глубины
- J** Вентиляционные отверстия

БЕЗОПАСНОСТЬ

ОСНОВНЫЕ ИНСТРУКЦИИ ПО ТЕХНИКЕ БЕЗОПАСНОСТИ

ВНИМАНИЕ! Прочтите все указания и инструкции по технике безопасности. Упущения, допущенные при соблюдении указаний и инструкций по технике безопасности, могут стать причиной электрического поражения, пожара и тяжелых травм. **Сохраняйте эти инструкции и указания для будущего использования.** Используемое в настоящих инструкциях и указаниях понятие “электроинструмент” распространяется на электроинструмент с питанием от сети (с кабелем питания от электросети) и на аккумуляторный электроинструмент (без кабеля питания от электросети).

1) БЕЗОПАСНОСТЬ РАБОЧЕГО МЕСТА

- a) **Соблюдайте чистоту и поддерживайте надлежащую освещенность на рабочем месте.** Беспорядок на рабочем месте или его плохое освещение могут привести к несчастным случаям.
- b) **Не используйте с электроинструментом во взрывоопасной среде, т.е. в непосредственной близости от легковоспламеняющихся жидкостей, газов или пыли.** В процессе работы электроинструмент искрит и искры могут воспламенить газы или пыль.
- c) **При работе с электроинструментом не допускайте детей или посторонних на Ваше рабочее место.** Отвлечение Вашего внимания может привести к потере контроля над работой инструмента.

2) ЭЛЕКТРИЧЕСКАЯ БЕЗОПАСНОСТЬ

- a) **Штепсельная вилка кабеля питания электроинструмента должна соответствовать розетке электросети. Не вносите никаких изменений в конструкцию вилки. Не используйте адапторы для электроинструмента с защитным заземлением.** Заводские штепсельные вилки и соответствующие им сетевые розетки существенно снижают вероятность электрошока.
- b) **Избегайте механических контактов с такими заземленными поверхностями, как трубопроводы, системы отопления, плиты и холодильники.** При соприкосновении человека с заземленными предметами во время работы инструментом вероятность электрошока существенно возрастает.
- c) **Оберегайте электроинструмент от воздействия дождя и влаги.** Попадание воды в электроинструмент повышает вероятность электрического удара.
- d) **Используйте кабель строго по назначению. Не допускается тянуть и передвигать электроинструмент за кабель или использовать кабель для вытягивания вилки из розетки. Оберегайте кабель инструмента от воздействия высоких температур, масла, острых кромок или движущихся частей электроинструмента.**

Поврежденный или спутанный кабель повышает возможность электрического удара.

- e) **При работе на улице используйте удлинитель, предназначенный для работы вне помещения.** Использование такого удлинителя снижает вероятность электрического удара.
 - f) **Если невозможно избежать применения электроинструмента в сыром помещении, то устанавливайте устройство защиты от утечки в землю.** Использование устройства защиты от утечки в землю снижает риск электрического поражения.
- ### 3) ЛИЧНАЯ БЕЗОПАСНОСТЬ
- a) **Будьте внимательны, следите за тем, что Вы делаете и выполняйте работу обдуманно. Не пользуйтесь электроинструментом, если Вы устали или находитесь под воздействием транквилизаторов, алкоголя или медицинских препаратов.** Секундная потеря концентрации в работе с электроинструментом может привести к серьезным травмам.
 - b) **Используйте средства индивидуальной защиты. Защитные очки обязательны.** Средства индивидуальной защиты, такие как противопылевой респиратор, нескользящая защитная обувь, шлем-каска, средства защиты органов слуха применяются в соответствующих условиях работы обстоятельствах и минимизируют возможность получения травм.
 - c) **Предотвращайте непреднамеренное включение электроинструмента. Перед подключением электроинструмента к электропитанию и/или к аккумулятору убедитесь в выключенном состоянии электроинструмента.** Если Вы при транспортировке электроинструмента держите палец на выключателе или включателе электроинструмент подключаете к сети питания, то это может привести к несчастному случаю.
 - d) **Во избежание травм перед включением инструмента удалите регулировочный или гаечный ключ из вращающейся части инструмента.**
 - e) **Не переоценивайте свои возможности. Твердо стойте на ногах и удерживайте равновесие.** В таком положении вы сможете лучше контролировать инструмент в неожиданных ситуациях.
 - f) **Используйте подходящую рабочую одежду. Не надевайте свободную одежду и украшения. Волосы, одежда и перчатки должны находиться подальше от движущихся частей электроинструмента.** Свободная одежда, украшения или длинные волосы легко могут попасть в движущиеся части электроинструмента.
 - g) **При наличии пылеотсасывающих и пылесборных приспособлений убедитесь в том, что они подсоединены и используются надлежащим образом.** Применение пылеотсоса может снизить опасности, создаваемые пылью.
- ### 4) ЭКСПЛУАТАЦИЯ И УХОД ЗА ЭЛЕКТРОИНСТРУМЕНТОМ
- a) **Не перегружайте инструмент. Используйте тот инструмент, который предназначен для данной работы. С подходящим инструментом Вы выполните**

работу лучше и надежней, используя весь диапазон его возможностей.

- b) **Не используйте инструмент с неисправным выключателем.** Инструмент с неисправным выключателем опасен и подлежит ремонту.
- c) **До начала наладки электроинструмента, замены принадлежностей или прекращения работы отключайте штепсельную вилку от розетки сети и/или выньте аккумулятор.** Данная мера предосторожности предотвращает случайное включение инструмента.
- d) **Храните неиспользуемый электроинструмент в недоступном для детей месте и не позволяйте использовать его лицам, не умеющим с ним обращаться или не ознакомленным с инструкцией по эксплуатации.** Электроинструменты представляют собой опасность в руках неопытных пользователей.
- e) **Электроинструмент требует надлежащего ухода. Проверяйте безупречность функции подвижных частей, лёгкость их хода, целостность всех частей и отсутствие повреждений, которые могут негативно сказаться на работе инструмента. При обнаружении повреждений сдайте инструмент в ремонт.** Большое число несчастных случаев связано с неудовлетворительным уходом за электроинструментом.
- f) **Режущие части инструмента необходимо поддерживать в заточенном и чистом состоянии.** При надлежащем уходе за режущими принадлежностями с острыми кромками они реже заклиниваются и инструмент лучше поддаётся контролю.
- g) **Используйте электроинструмент, принадлежности, биты и т.д. в соответствии с данными инструкциями, исходя из особенностей условий и характера выполняемой работы.** Использование электроинструмента не по назначению может привести к опасным последствиям.

5) СЕРВИСНОЕ ОБСЛУЖИВАНИЕ

- a) **Передавайте инструмент на сервисное обслуживание только квалифицированному персоналу, использующему только подлинные запасные части.** Это обеспечит сохранение безопасности электроинструмента.

УКАЗАНИЯ ПО БЕЗОПАСНОСТИ ЭКСПЛУАТАЦИИ УДАРНОЙ ДРЕЛИ

ОБЩЕЕ

- Инструмент нельзя использовать лицам в возрасте до 16 лет
- **Перед регулировкой или сменой принадлежностей обязательно выньте вилку из сетевой розетки**
- **Одевайте наушники** (воздействие шума может привести к потере слуха)
- **Используйте прилагающиеся к инструменту дополнительные рукоятки** (потеря контроля может иметь своим следствием телесные повреждения)

- Используйте полностью размотанные и безопасные удлинители, рассчитанные на ток не менее 16 А
- **Не обрабатывайте материалы с содержанием асбеста** (асбест считается канцерогеном)
- Пыль от таких материалов, как свинцовосодержащая краска, некоторые породы дерева, минералы и металл, может быть вредна (контакт с такой пылью или ее вдыхание может стать причиной возникновения у оператора или находящихся рядом лиц аллергических реакций и/или респираторных заболеваний); **надевайте респиратор и работайте с пылеудаляющим устройством при включении инструмента**
- Некоторые виды пыли классифицируются как канцерогенные (например, дубовая или буковая пыль), особенно в сочетании с добавками для кондиционирования древесины; **надевайте респиратор и работайте с пылеудаляющим устройством при включении инструмента**
- Следуйте принятым в вашей стране требованиям/ нормативам относительно пыли для тех материалов, с которыми вы собираетесь работать

ПЕРЕД ИСПОЛЬЗОВАНИЕМ

- Обязательно убедитесь, что напряжение питания соответствует напряжению, указанному на фирменном штепселе инструмента (инструменты, рассчитанные на напряжение 230 В или 240 В, можно подключать к питанию 220 В)
- Избегайте повреждений, которые могут быть вызваны винтами, гвоздями и прочими элементами, находящимися в обрабатываемом предмете; перед началом работы их нужно удалить
- **Используйте подходящие металлодетекторы для нахождения скрытых проводов снабжения или наведите справки в местных предприятиях коммунального хозяйства** (контакт с электропроводкой может привести к пожару и электрическому удару; повреждение газопровода может привести к взрыву; повреждение водопровода может привести к повреждению имущества или вызвать электрический удар)
- **Закрепите обрабатываемую деталь** (обрабатываемая деталь, зафиксированная посредством зажимных устройств или тисков, закрепляется лучше, нежели при помощи рук)
- Никогда не используйте инструмент, если сетевой шнур повреждён; необходимо, чтобы квалифицированный специалист заменил сетевой шнур

НАСАДКИ

- SKIL обеспечивает надёжную работу инструмента только при использовании соответствующих приспособлений
- Использовать только принадлежности, предельно допустимая скорость вращения которых не меньше, чем максимальная скорость вращения прибора на холостом ходу

ВО ВРЕМЯ ИСПОЛЬЗОВАНИЯ

- Следите за тем, чтобы сетевой шнур не находился рядом с движущимися деталями инструмента

- Если сверло неожиданно заело (что приводит к непредсказуемому и опасному поведению инструмента), немедленно выключите инструмент
- **Держите электроинструмент только за изолированные поверхности рукоятки, если Вы выполняете работы, при которых рабочий инструмент может попасть на скрытую электропроводку или на собственный шнур подключения питания** (контакт с токоведущим проводом ставит под напряжение также металлические части электроинструмента и ведет к поражению электрическим током)
- В случае любой электрической или механической неисправности немедленно выключите инструмент и выньте вилку из розетки
- При повреждении или разрезании сетевого шнура во время работы не прикасайтесь к нему, и немедленно выньте вилку из розетки

ПОСЛЕ ИСПОЛЬЗОВАНИЯ

- Перед тем как положить инструмент, выключите двигатель и убедитесь в том, что все движущиеся детали полностью остановились

ИСПОЛЬЗОВАНИЕ

- Включение/выключение ④
- Блокировка выключателя для продолжительного использования ⑤
- Чувствительный курок выключателя (реагирует на силу нажатия изменением скорости) ⑥
- Регулировка максимальной скорости ⑦
Маховиком С максимальную скорость вращения можно плавно от низкой до высокой
 - включите инструмент
 - заблокируйте переключатель
 - поворачивая колесико С выберите максимальную скорость вращения
- Изменение направления вращения ⑧
 - выключатель вкл/выкл А ② не работает, если не установлен в положение лево/право**! изменять направление вращения следует только в момент полной остановки инструмента**
- Нормальное сверление ежима ударного сверления ⑨
 - индикатор F показывает выбранную функцию сверления**! изменить установку функцию сверления следует только при полном выключении инструменте и вилка вынута из розетки**
- Сменные биты ⑩
 - вставьте бит в патрон до упора**! не используйте биты с поврежденным стволем**
- Регулировка глубины сверления ⑪
- Удержание и направление инструмента ⑫
 - ! во время работы, всегда держите инструмент за места правильного хвата, которые обозначены серым цветом**
 - **обязательно используйте боковую рукоятку G ②** (регулируется, как показано на рисунке)

- содержите вентиляционные отверстия J ② не закрытыми
- не прилагайте чрезмерных усилий к инструменту, дайте инструменту поработать за Вас

СОВЕТЫ ПО ИСПОЛЬЗОВАНИЮ

- Используйте только надлежащие биты ⑬
! не пользуйтесь затупившимися битами
- При сверлении по бетону и камню к инструменту необходимо прилагать постоянное усилие
- Сверление черных металлов
 - при сверлении отверстия большего диаметра сначала просверлите отверстие меньшего диаметра
 - периодически смазывайте сверло
- Сверление по дереву без расщепления материала ⑭
- Сверление в стенах без пыли ⑮
- Сверление в потолках без пыли ⑯
- Сверлению по кафелю без проскальзывания ⑰
- См дополнительную информацию на сайте www.skil.com

ТЕХОБСЛУЖИВАНИЕ / СЕРВИС

- Данный инструмент не подходит для промышленного использования
- Всегда содержите инструмент и его шнур в чистоте (особенно вентиляционные отверстия J ②)
! перед чисткой инструмента выньте вилку из розетки
- Если инструмент, несмотря на тщательные методы изготовления и испытания, выйдет из строя, то ремонт следует производить силами авторизованной сервисной мастерской для электроинструментов фирмы SKIL
 - отправьте **неразобранный** инструмент со свидетельством покупки Вашему дилеру или в ближайшую станцию обслуживания фирмы SKIL (адреса и схема обслуживания инструмента приведены в вебсайте www.skil.com)

ОХРАНА ОКРУЖАЮЩЕЙ СРЕДЫ

- **Не выкидывайте электроинструмент, принадлежности и упавовну вместе с бытовым мусором** (только для стран ЕС)
 - во исполнение европейской директивы 2002/96/ЕС об утилизации отслужившего свой срок электрического и электронного оборудования и в соответствии с действующим законодательством, утилизация электроинструментов производится отдельно от других отходов на предприятиях, соответствующих условиям экологической безопасности
 - значок ⑱ напомним Вам об этом, когда появится необходимость сдать электроинструмент на утилизацию

ДЕКЛАРАЦИЯ О СООТВЕТСТВИИ СТАНДАРТАМ СЕ

- С полной ответственностью мы заявляем, что описанный в разделе "Технические данные" продукт соответствует нижеследующим стандартам или нормативным документам: EN 60745, EN 61000, EN 55014 согласно положениям директив 2004/108/ЕС, 2006/42/ЕС, 2011/65/ЕС
- Техническая документация у:** SKIL Europe BV (PT-SEU/ENG1), 4825 BD Breda, NL

Marijn van der Hoofden Olaf Dijkgraaf
Operations & Engineering Approval Manager

SKIL Europe BV, 4825 BD Breda, NL

04.07.2013

- Информация о сертификате соответствия расположена на последней странице настоящей Инструкции
- Сертификаты соответствия хранятся по адресу: ООО "Роберт Бош" ул. Акад. Королёва, 13, стр. 5 Россия, 129515, Москва
С января 2014 г. Вашутинское шоссе, влад. 36 Россия, 141446 г.о. Химки

ШУМНОСТИ/ВИБРАЦИИ

- При измерении в соответствии со стандартом EN 60745 уровень звукового давления для этого инструмента составляет 94 дБ (А) и уровень звуковой мощности - 105 дБ (А) (стандартное отклонение: 3 дБ), и вибрации - * м/с² (по методу для рук; недостоверность K = 1,5 м/с²)
* при сверлении в металле 3,0 м/с²
* при сверлении с ударом в бетоне 13,2 м/с²
 - Уровень вибрации был измерен в соответствии со стандартизированным испытанием, содержащимся в EN 60745; данная характеристика может использоваться для сравнения одного инструмента с другим, а также для предварительной оценки воздействия вибрации при использовании данного инструмента для указанных целей
 - при использовании инструмента в других целях или с другими/неисправными вспомогательными приспособлениями уровень воздействия вибрации может значительно **повышаться**
 - в периоды, когда инструмент отключен или функционирует без фактического выполнения работы, уровень воздействия вибрации может значительно **снижаться**
- ! защищайте себя от воздействия вибрации, поддерживая инструмент и его вспомогательные приспособления в исправном состоянии, поддерживая руки в тепле, а также правильно организуя свой рабочий процесс**

UA

Ударный дрель

6271/6290

ВСТУП

- Пристрій призначений для ударного свердління по цеглі, бетоні та природному камені, а також для свердління по дереву, металу, керамці та синтетичному матеріалі
 - Цей інструмент не придатний для промислового використання
 - Прочитайте і збережіть цю Інструкцію з експлуатації
- ③

ТЕХНІЧНІ ДАНІ ①

ЕЛЕМЕНТИ ІНСТРУМЕНТА ②

- A** Вимикач для вкл/викл та регулювання швидкості
- B** Кнопка блокування вимикача
- C** Маховик для регулювання максимальної швидкості обертання
- D** Вимикач для зміни напрямку обертання
- E** Вимикач для вибору функції свердління
- F** Індикатор вибраної функції свердління
- G** Додаткова ручка
- H** Обмежувач глибини свердління
- J** Вентиляційні отвори

БЕЗПЕКА

ЗАГАЛЬНІ ВКАЗІВКИ З ТЕХНІКИ БЕЗПЕКИ

⚠ УВАГА! Прочитайте всі попередження і вказівки. Недодержання попереджень і вказівок може призводити до удару електричним струмом, пожежі та/або серйозних травм. **Добре зберігайте на майбутнє ці попередження і вказівки.** Під поняттям "електроприлад" в цих попередженнях мається на увазі електроприлад, що працює від мережі (з електрокабелем) або від акумуляторної батареї (без електрокабелю).

1) БЕЗПЕКА НА РОБОЧОМУ МІСЦІ

- Приймайте своє робоче місце в чистоті та прибирайте його.** Безлад або погане освітлення на робочому місці можуть призводити до нещасних випадків.
- Не працюйте з приладом у середовищі, де існує небезпека вибуху внаслідок присутності горючих рідин, газів або пилу.** Електроприлади можуть породжувати іскри, від яких може займатися пил або пари.
- Під час працювання з приладом не підпускайте до робочого місця дітей та інших людей.** Ви можете втратити контроль над приладом, якщо Ваша увага буде відвернута.

2) ЕЛЕКТРИЧНА БЕЗПЕКА

- Штепсель приладу повинен пасувати до розетки. Не дозволяється що-небудь міняти в штепселі. Для роботи з приладами, що мають захисне**

- заземлення, не використовуйте адаптери. Використання оригінального штепселя та належної розетки зменшує ризик удару електричним струмом.
- b) **Уникайте контакт частей тіла із заземленими поверхнями, як напр., трубами, батареями опалення, печами та холодильниками.** Коли Ваше тіло заземлене, існує збільшена небезпека удару електричним струмом.
 - c) **Захищайте прилад від дощу та вологи.** Попадання води в електроінструмент збільшує ризик удару електричним струмом.
 - d) **Не використовуйте кабелі для перенесення приладу, підвішування або витягування штепселя з розетки. Захищайте кабель від жару, олії, гострих країв та деталей приладу, що рухаються.** Пошкоджені або закручені кабелі збільшують ризик удару електричним струмом.
 - e) **Для зовнішніх робіт обов'язково використовуйте лише таний подовжувач, що допущений для зовнішніх робіт.** Використання подовжувача, що розрахований на зовнішні роботи, зменшує ризик удару електричним струмом.
 - f) **Якщо не можна запобігти використанню електроприладу у вологому середовищі, використовуйте пристрій захисту від витоків в землю.** Використання зристою захисту від витоків в землю зменшує ризик удару електричним струмом.
- 3) БЕЗПЕКА ЛЮДЕЙ**
- a) **Будьте уважними, слідуйте за тим, що Ви робите, та розсудливо поведіться під час роботи з електроприладом. Не користуйтеся приладом, якщо Ви стомлені або знаходитесь під дією наркотиків, спиртних напоїв або лік.** Мить неуважності при користуванні приладом може призводити до серйозних травм.
 - b) **Вдягайте особисте захисне спорядження та обов'язково вдягайте захисні окуляри.** Вдягання особистого захисного спорядження, як напр., - в залежності від виду робіт - захисної маски, спецзв'язки, що не ковзається, каски або навушників, зменшує ризик травм.
 - c) **Уникайте ненавмисного вмикання. Перш ніж вмикати електроприлад в електромережу або встромляти акумуляторну батарею, брати його в руки або переносити, впевніться в тому, що електроприлад вимкнений.** Тримання пальця на вимикачі під час перенесення електроприладу або встромляння в розетку увімкненого приладу може призводити до травм.
 - d) **Перед тим, як вмикати прилад, приборіть налагоджувальні інструменти та гайковий ключ.** Знаходження налагоджувального інструмента або ключа в деталі, що обертається, може призводити до травм.
 - e) **Не переоцінюйте себе. Зберігайте стійке положення та завжди зберігайте рівновагу.** Це дозволить Вам краще зберігати контроль над приладом у несподіваних ситуаціях.
 - f) **Вдягайте придатний одяг. Не вдягайте просторий одяг та прикраси. Не підставляйте волосся, одяг та рукавиці близько до деталей приладу, що рухаються.** Просторий одяга,

- прикраси та довге волосся можуть попадати в деталі, що рухаються.
- g) **Якщо існує можливість монтувати пилоріздсмонтувальні або пилоувловлювальні пристрої, переконайтеся, щоб вони були добре під'єднані та правильно використовувалися.** Використання пилоріздсмонтувального пристрою може зменшити небезпеки, зумовлені пилом.
- 4) ПРАВИЛЬНЕ ПОВОДЖЕННЯ ТА КОРИСТУВАННЯ ЕЛЕКТРОПРИЛАДАМИ**
- a) **Не первантажуйте прилад. Використовуйте такий прилад, що спеціально призначений для певної роботи.** З придатним приладом Ви з меншим ризиком отримаєте кращі результати роботи, якщо будете працювати в зазначеному діапазоні потужності.
 - b) **Не користуйтеся приладом з пошкодженим вимикачем.** Прилад, який не можна увімкнути або вимкнути, є небезпечним і його треба відремонтувати.
 - c) **Перед тим, як регулювати що-небудь на приладі, міняйте приладдя або ховати прилад, витягніть штепсель із розетки та/або витягніть акумуляторну батарею.** Ці попереджувальні заходи з техніки безпеки зменшують ризик ненавмисного запуску приладу.
 - d) **Зберігайте електроприлади, якими Ви саме не користуєтесь, далеко від дітей. Не дозволяйте користуватися електроприладом особам, що не знайомі з його роботою або не читали ці вказівки.** У разі застосування недосвідченими особами прилади несуть в собі небезпеку.
 - e) **Старанно доглядайте за приладом. Перевірте, щоб рухомі деталі приладу бездоганно працювали та не заїдали, не були поламаними або настільки пошкодженими, щоб це могло вплинути на функціонування приладу. Пошкоджені деталі треба відремонтувати в авторизованій майстерні, перш ніж ними можна знову користуватися.** Велика кількість нещасних випадків спричиняється поганим доглядом за електроприладами.
 - f) **Тримайте різальні інструменти добре нагостреними та в чистоті.** Старанно доглянуті різальні інструменти з гострим різальним краєм менше застряють та їх легше вести.
 - g) **Використовуйте електроприлади, приладдя до них, робочі інструменти т.і. відповідно до цих вказівок. Беріть до уваги при цьому умови роботи та специфіку виконуваної роботи.** Використання електроприладів для робіт, для яких вони не передбачені, може призводити до небезпечних ситуацій.
- 5) СЕРВІС**
- a) **Відавайте свій прилад на ремонт лише кваліфікованим фахівцям та лише з використанням оригінальних запчастин.** Це забезпечить безпеку приладу на довгий час.

ВКАЗІВКИ ПО БЕЗПЕЦІ ДЛЯ УДАРНИХ ДРИЛЕЙ

ЗАГАЛЬНЕ

- Цей інструмент не можна використовувати особам віком до 16 років
- **Перед регулюванням або заміною приладдя обов'язково вийміть вилку із сіткової розетки**
- **Вдягайте навушники** (шум може пошкодити слух)
- **Використовуйте додані до інструменту додаткові рукоятки** (втрата контролю над інструментом може призводити до тілесних ушкоджень)
- Використовуйте повністю розгорнений шнур подовжувача, який може витримувати навантаження в 16 Ампер
- **Не обробляйте матеріали, що містять асбест** (асбест вважається канцерогенним)
- Пил від таких матеріалів, як свинцовоутримуюча фарба, деякі породи дерева, мінерали й метал, може бути шкідливим (контакт із таким пилом або його вдихання може стати причиною виникнення в оператора або осіб, що перебувають поруч, алергічних реакцій і/або респіраторних захворювань); **надягайте респіратор і працюйте з пиловидальючим пристроєм під час увімкнення інструмента**
- Деякі види пилу класифікуються як канцерогенні (наприклад, дубовий або буковий пил), особливо в сполученні з добавками для кондиціювання деревини; **надягайте респіратор і працюйте з пиловидальючим пристроєм під час увімкнення інструмента**
- Слідуйте інструкціям по роботі з матеріалами, продуцуючими пил

ПЕРЕД ВИКОРИСТАННЯМ

- Перед роботою перевірте відповідність струму в мережі із струмом, позначені на інструменті (інструменти, розраховані на 230В або 240В, також можуть підключатися до мережі 220В)
- Не допускайте пошкоджень, які можуть нанести шурупи, цвяхи і інші елементи вашому виробу; видаліть їх перед початком роботи
- **Використовуйте придатні шушкові прилади для знаходження захованих в будівлі труб та кабелів або зверніться за допомогою в місцеве підприємство електро-, газо- та водопостачання** (зачеплення електропроводки може призводити до пожежі та удару електричним струмом; зачеплення газової труби може призводити до вибуху; зачеплення водопроводної труби може завдати шкоду матеріальним цінностям або призводити до удару електричним струмом)
- **Зафіксуйте оброблювану деталь** (оброблювана деталь, зафіксована за допомогою затискових пристроїв або лещат, закріплюється краще, ніж вручну)
- Ніколи не використовуйте інструмент з пошкодженим шнуром; його повинен замінити кваліфікований фахівець

НАСАДКИ

- SKIL гарантує надійну роботу інструмента тільки при використанні відповідного приладдя

- Використовуйте лише приладдя, припустима швидкість обертання якого як мінімум відповідає найвищій швидкості інструмента без навантаження
- ### ПІД ЧАС ВИКОРИСТАННЯ
- Не дозволяйте шнуру живлення стикатися з рухомими частинами інструменту
 - Якщо свердло зайло (що призводить до неочікуваної небезпечної реакції), негайно вимкніть інструмент
 - **При роботах, коли робочий інструмент може зачепити заховану електропроводку або власний шнур живлення, тримайте електрприлад за ізольовані рукоятки** (зачеплення електропроводки заряджує металеві частини електроприладу і призводить до удару електричним струмом)
 - У разі електричної або механічної несправності, негайно відключіть інструмент і вимкніть з розетки
 - Якщо шнур пошкоджений або прорізаний при роботі, не доторкайтесь до нього і негайно витягніть його з розетки

ПІСЛЯ ВИКОРИСТАННЯ

- Коли ви закінчили роботу з інструментом, вимкніть мотор і переконайтеся, що всі рухомі частини повністю зупинилися

ВИКОРИСТАННЯ

- Вмикання/вимикання ④
 - Блокування вимикача для тривалої роботи ⑤
 - Контроль швидкості для плавного пуску ⑥
 - Регулятор максимальної швидкості ⑦
- Обертання маховиком С, максимальну швидкість обертання можна плавно відрегулювати від низької до високої
- увімкніть інструмент
 - заблокуйте перемикач
 - повертаючи маховик С, виберіть максимальну швидкість обертання
- Зміна напрямку обертання ⑧
 - при неповній установці положення лів/прав пусковий виключачель А ② не працює
- ! міняйте напрям обертання тільки при повній зупинці інструмента**
- Нормальне свердління або ударне свердління ⑨
 - індикатор F показує обрану функцію свердління
- ! вибравте функцію свердління тільки при вимкненому інструменті та вилка вийнята з розетки**
- Заміна насадок ⑩
 - введіть насадку в патрон до упору
 - ! не використовуйте насадки з пошкодженим стовбуром**
 - Регулювання глибини свердління ⑪
 - Утримування і робота інструментом ⑫
- ! під час роботи, завжди тримайте інструмент за частини захвату сірого кольору**
- **завжди використовуйте бокову ручку G ②** (може регулюватись як показано)
 - тримайте вентиляційні отвори J ② незакритими
 - не тисніть на інструмент; дайте інструменту можливість працювати за вас

ΠΟΡΑΔΙ ΠΟ ΒΙΚΟΡΙΣΤΑΝΙΟ

- Βικорисτωуйте відповідні насадки ⑬
! не використовуйте тупі насадки
- Підчас свердління отворів у бетоні чи камені необхідно забезпечувати постійний тиск на дріль
- Свердління чорних металів
 - попередньо просвердліть отвір меншого діаметру, якщо необхідний отвір великого розміру
 - час від часу змащуйте свердла маслом
- Свердління деревини без виривання скалок ⑭
- Свердління в стінах без пилу ⑮
- Свердління в стелях без пилу ⑯
- Свердління кафельних плиток без прослизькування ⑰
- Див додаткову інформацію на www.skil.com

ΔΟΓΛΑΔ/ΟΒΣΛΟΓΟΒΑΝΝΑ

- Цей інструмент не придатний для промислового використання
- Завжди тримайте інструмент та його шнур в чистоті (особливо вентиляційні отвори J ②)
! перед чистою інструменту необхідно роз'єднати штепсельний роз'єм
- Якщо незважаючи на ретельну технологію виготовлення і перевірки інструмент все-таки вийде з ладу, його ремонт дозволяється виконувати лише в авторизованій сервісній майстерні для електроприладів SKIL
 - надішліть **нерозібраний** інструмент разом з доказом купівлі до Вашого дилера або до найближчого центру обслуговування SKIL (адреси, а також діаграма обслуговування пристрою, подаються на сайті www.skil.com)

ΟΧΟΡΟΝΑ ΝΑΒΚΟΛΙΣΗΝΟΪ ΣΕΡΕΔΙ

- **Не викидайте електроінструмент, приналежності та упакування разом зі звичайним сміттям** (тільки для країн ЄС)
 - відповідно до європейської директиви 2002/96/ЄС щодо утилізації старих електричних та електронних приладів, в залежності з місцевим законодавством, електроінструмент, який перебував в експлуатації повинен бути утилізований окремо, безпечним для навколишнього середовища шляхом
 - малюнок ⑱ нагадає вам про це

ΔΕΚΛΑΡΑΤΙΟΝ ΠΡΟ ΒΙΔΠΟΒΙΔΝΙΣΤΪ ΣΤΑΝΔΑΡΤΑΜ ΣΕ

- Ми заявляємо під нашу виключну відповідальність, що описаний в "Технічні дані" продукт відповідає таким нормам або нормативним документам: EN 60745, EN 61000, EN 55014 у відповідності до положень директив 2004/108/EG, 2006/42/EG, 2011/65/EC

- **Технічні документи в:** SKIL Europe BV (PT-SEU/ENG1), 4825 BD Breda, NL

Marijn van der Hoofden Olaf Dijkgraaf
Operations & Engineering Approval Manager

SKIL Europe BV, 4825 BD Breda, NL

04.07.2013

ΣΗΜ/ΒΙΒΡΑΤΙΟ

- Зміряний відповідно до EN 60745 рівень тиску звуку даного інструменту 94 дБ(А) і потужність звуку 105 дБ(А) (стандартне відхилення: 3 дБ), і вібрація * м/с² (ручна методика; похибка K = 1,5 м/с²)
 - * свердління в металі 3,0 м/с²
 - * при ударному свердленні в бетоні 13,2 м/с²
- Рівень вібрації було виміряно у відповідності зі стандартизованим випробуванням, що міститься в EN 60745; дана характеристика може використовуватися для порівняння одного інструмента з іншим, а також для попередньої оцінки впливу вібрації під час застосування даного інструмента для вказаних цілей
 - при використанні інструмента в інших цілях або з іншими/несправними допоміжними пристосуваннями рівень впливу вібрації може значно **підвищуватися**
 - у періоди, коли інструмент вимкнений або функціонує без фактичного виконання роботи, рівень впливу вібрації може значно **знижуватися**
- **! захищайте себе від впливу вібрації, підтримуючи інструмент і його допоміжні пристосування в справному стані, підтримуючи руки в теплі, а також правильно організовуючи свій робочий процес**

GR

Κροустικό δράπανο

6271/6290

ΕΙΣΑΓΩΓΗ

- Το εργαλείο προορίζεται για τρίτημη με κρούση σε μπετόν και σε πετρώματα καθώς και για τρίτημη σε ξύλο, σε μέταλλα και σε κεραμικά και πλαστικά υλικά
- Αυτό το εργαλείο δεν προορίζεται για επαγγελματική χρήση
- Διαβάστε και φυλάξτε αυτές τις οδηγίες χρήσεως ③

ΤΕΧΝΙΚΑ ΧΑΡΑΚΤΗΡΙΣΤΙΚΑ ①

ΜΕΡΗ ΤΟΥ ΕΡΓΑΛΕΙΟΥ ②

- A Διακόπτης εκκίνησης/στάσης και ελέγχου ταχύτητας
- B Κουμπί ασφάλισης του διακόπτη
- C Τροχίσκος ρύθμισης της μέγιστης ταχύτητας
- D Διακόπτης αλλαγής της κατεύθυνσης περιστροφής
- E Επιλογέας τρόπου λειτουργίας
- F Ένδειξη επιλεγμένου τρόπου λειτουργίας

- G Βοηθητική λαβή
- H Δείκτης βάθους
- J Σχισμές αερισμού

ΑΣΦΑΛΕΙΑ

ΓΕΝΙΚΕΣ ΥΠΟΔΕΙΞΕΙΣ ΑΣΦΑΛΕΙΑΣ

ΠΡΟΕΙΔΟΠΟΙΗΣΗ! Διαβάστε όλες τις προειδοποιητικές υποδείξεις. Αμέλειες κατά την τήρηση των προειδοποιητικών υποδείξεων μπορεί να προκαλέσουν ηλεκτροπληξία, κίνδυνο πυρκαγιάς ή/και σοβαρούς τραυματισμούς. **Φυλάξτε όλες τις προειδοποιητικές υποδείξεις και οδηγίες για κάθε μελλοντική χρήση.** Ο ορισμός "ηλεκτρικό εργαλείο" που χρησιμοποιείται στις προειδοποιητικές υποδείξεις αναφέρεται σε ηλεκτρικά εργαλεία που τροφοδοτούνται από το ηλεκτρικό δίκτυο (με ηλεκτρικό καλώδιο) καθώς και σε ηλεκτρικά εργαλεία που τροφοδοτούνται από μπαταρία (χωρίς ηλεκτρικό καλώδιο).

1) ΑΣΦΑΛΕΙΑ ΣΤΟ ΧΩΡΟ ΕΡΓΑΣΙΑΣ

- a) Διατηρείτε το χώρο που εργάζεστε καθαρό και καλά φωτισμένο. Αταξία στο χώρο που εργάζεστε ή μη φωτισμένες περιοχές εργασίας μπορεί να οδηγήσουν σε ατυχήματα.
- b) Μην εργάζεστε με το ηλεκτρικό εργαλείο σε περιβάλλον που υπάρχει κίνδυνος έκρηξης, στο οποίο υπάρχουν εύφλεκτα υγρά, αέρια ή σκόνη. Τα ηλεκτρικά εργαλεία μπορεί να δημιουργήσουν σπινθηρισμό ο οποίος μπορεί να αναφλέξει τη σκόνη ή τις αναθυμιάσεις.
- c) Όταν χρησιμοποιείτε το ηλεκτρικό εργαλείο κρατάτε τα παιδιά κι άλλα τυχόν πρόσωπα μακριά από το χώρο που εργάζεστε. Σε περίπτωση που άλλα άτομα αποσπάσουν την προσοχή σας μπορεί να χάσετε τον έλεγχο του μηχανήματος.

2) ΗΛΕΚΤΡΙΚΗ ΑΣΦΑΛΕΙΑ

- a) Το φως του καλωδίου του ηλεκτρικού εργαλείου πρέπει να ταιριάζει στην αντίστοιχη πρίζα. Δεν επιτρέπεται με κανένα τρόπο η μετασκευή του φως. Μη χρησιμοποιείτε προσαρμοστικά φως σε συνδυασμό με ηλεκτρικά εργαλεία συνδεδεμένα με τη γη (γειωμένα). Αθικτα φως και κατάλληλες πρίζες μειώνουν τον κίνδυνο ηλεκτροπληξίας.
 - b) Αποφεύγετε την επαφή του σώματος σας με γειωμένες επιφάνειες όπως σωλήνες, θερμαντικά σώματα (καλοριφέρ), κουζίνες και ψυγεία. Όταν το σώμα σας είναι γειωμένο αυξάνεται ο κίνδυνος ηλεκτροπληξίας.
 - c) Μην εκθέτετε το ηλεκτρικό εργαλείο στη βροχή ή την υγρασία. Η είσοδος νερού στο ηλεκτρικό εργαλείο αυξάνει τον κίνδυνο ηλεκτροπληξίας.
 - d) Μη χρησιμοποιείτε το καλώδιο για να μεταφέρετε ή ν' αναρτήσετε το ηλεκτρικό εργαλείο ή για να βγάλετε το φως από την πρίζα. Κρατάτε το καλώδιο μακριά από υψηλές θερμοκρασίες, λάδια, κοφτερές ακμές ή κινούμενα εξαρτήματα. Τυχόν χαλασμένα ή μπερδεμένα καλώδια αυξάνουν τον κίνδυνο ηλεκτροπληξίας.
 - e) Όταν εργάζεστε με το ηλεκτρικό εργαλείο στο ύπαιθρο χρησιμοποιείτε πάντοτε καλώδια επιμήκυνσης (μπαλαντάζες) που έχουν εγκριθεί για χρήση σε εξωτερικούς χώρους. Η χρήση καλωδίων επιμήκυνσης εγκριμένων για εργασία σε εξωτερικούς χώρους μειώνει τον κίνδυνο ηλεκτροπληξίας.
 - f) Όταν η χρήση του ηλεκτρικού εργαλείου σε υγρό περιβάλλον είναι αναπόφευκτη, τότε χρησιμοποιήστε έναν προστατευτικό διακόπτη διαρροής. Η χρήση ενός προστατευτικού διακόπτη διαρροής ελαττώνει τον κίνδυνο ηλεκτροπληξίας.
- ### 3) ΑΣΦΑΛΕΙΑ ΠΡΟΣΩΠΩΝ
- a) Να είστε πάντοτε προσεκτικός/προσεκτική, να δίνετε προσοχή στην εργασία που κάνετε και να χειρίζεστε το ηλεκτρικό εργαλείο με περίσκεψη. Μην κάνετε χρήση του ηλεκτρικού εργαλείου όταν είστε κουρασμένος/κουρασμένη ή όταν βρίσκεστε υπό την επιρροή ναρκωτικών, οινοπνεύματος ή φαρμάκων. Μια στιγμήαία απροσεξία κατά το χειρισμό του ηλεκτρικού εργαλείου μπορεί να οδηγήσει σε σοβαρούς τραυματισμούς.
 - b) Φοράτε προστατευτικά ενδύματα και πάντοτε προστατευτικά γυαλιά. Όταν φοράτε ενδύματα ασφαλείας, ανάλογα με το υπό χρήση ηλεκτρικό εργαλείο, όπως προσωπίδα προστασίας από σκόνη, αντιολισθητικά παπούτσια ασφαλείας, κράνη ή ωτασπίδες, μειώνεται ο κίνδυνος τραυματισμών.
 - c) Αποφεύγετε την αθέλητη εκκίνηση. Βεβαιωθείτε ότι το ηλεκτρικό εργαλείο έχει αποζευχτεί πριν το συνδέσετε με το ηλεκτρικό δίκτυο ή/και με την μπαταρία καθώς και πριν το παραλάβετε ή το μεταφέρετε. Όταν μεταφέρετε το ηλεκτρικό εργαλείο έχοντας το δάχτυλό σας στο διακόπτη ή όταν συνδέσετε το μηχανήμα με την πηγή ρεύματος όταν αυτό είναι ακόμη συζευγμένο, τότε δημιουργείται κίνδυνος τραυματισμών.
 - d) Αφαιρείτε από τα ηλεκτρικά εργαλεία πριν τα θέσετε σε λειτουργία τυχόν συναρμολογημένα χρησιμοποιήσιμα εργαλεία ή κλειδιά. Ένα εργαλείο ή κλειδί συναρμολογημένο στο περιστρεφόμενο εξάρτημα ενός ηλεκτρικού εργαλείου μπορεί να οδηγήσει σε τραυματισμούς.
 - e) Μην υπερκτιμάτε τον εαυτό σας. Φροντίζετε για την ασφαλή στήριξη του σώματος σας και διατηρείτε πάντοτε την ισορροπία σας. Αυτό σας επιτρέπει τον καλύτερο έλεγχο το ηλεκτρικού εργαλείου σε περιπτώσεις απροσδόκητων καταστάσεων.
 - f) Φοράτε κατάλληλη ενδυμασία εργασίας. Μη φοράτε φαρδιά ενδύματα ή κοσμήματα. Κρατάτε τα μαλλιά σας, τα ενδύματα σας και τα γάντια σας μακριά από τα κινούμενα εξαρτήματα. Χαλαρή ενδυμασία, κοσμήματα και μακριά μαλλιά μπορεί να εμπλακούν στα κινούμενα εξαρτήματα.
 - g) Αν υπάρχει η δυνατότητα συναρμολόγησης διατάξεων αναρρόφησης ή συλλογής σκόνης, βεβαιωθείτε αν οι διατάξεις αυτές είναι συνδεδεμένες καθώς κι αν χρησιμοποιούνται σωστά. Η χρήση μιας αναρρόφησης σκόνης μπορεί να ελαττώσει τον κίνδυνο που προκαλείται από τη σκόνη.

4) ΧΡΗΣΗ ΚΙ ΕΠΙΜΕΛΗΣ ΧΕΙΡΙΣΜΟΣ ΤΩΝ ΗΛΕΚΤΡΙΚΩΝ ΕΡΓΑΛΕΙΩΝ

- a) Μην υπερφορτώνετε το ηλεκτρικό εργαλείο. Χρησιμοποιείτε για την εκάστοτε εργασία σας το ηλεκτρικό εργαλείο που προορίζεται γι' αυτήν. Με το κατάλληλο ηλεκτρικό εργαλείο εργάζεσθε καλύτερα και ασφαλέστερα στην αναφερόμενη περιοχή ισχύος.
- b) Μην χρησιμοποιήσετε ποτέ ένα ηλεκτρικό εργαλείο του οποίου ο διακόπτης ON/OFF είναι χαλασμένος. Ένα ηλεκτρικό εργαλείο το οποίο δεν μπορεί να τεθεί πλέον σε ή εκτός λειτουργίας είναι επικίνδυνο και πρέπει να επισκευαστεί.
- c) Βγάzte το φως από την πρίζα και/ή αφαιρέστε την μπαταρία πριν διεξάγετε στο εργαλείο μια οποιαδήποτε εργασία ρύθμισης, πριν αλλάξετε ένα εξάρτημα ή όταν πρόκειται να διαφυλάξετε/ να αποθηκεύσετε το εργαλείο. Αυτά τα προληπτικά μέτρα ασφαλείας μειώνουν τον κίνδυνο από τυχόν αβέλγητη εκκίνηση του ηλεκτρικού εργαλείου.
- d) Διαφυλάγετε τα ηλεκτρικά εργαλεία που δε χρησιμοποιείτε μακριά από παιδιά. Μην αφήνετε ποτέ που δεν είναι εξοικειωμένα με το ηλεκτρικό εργαλείο ή δεν έχουν διαβάσει αυτές τις οδηγίες χρήσης να το χρησιμοποιήσουν. Τα ηλεκτρικά εργαλεία είναι επικίνδυνα όταν χρησιμοποιούνται από άπειρα πρόσωπα.
- e) Να περιποιήστε προσεκτικά το ηλεκτρικό σας εργαλείο και να ελέγχετε, αν τα κινούμενα τμήματα του λειτουργούν άψογα και δεν μπλοκάρουν, ή μήπως έχουν χαλάσει ή σπάσει εξαρτήματα, τα οποία επηρεάζουν έτσι αρνητικά τον τρόπο λειτουργίας του ηλεκτρικού εργαλείου. Δώστε τυχόν χαλασμένα εξαρτήματα του ηλεκτρικού εργαλείου για επισκευή πριν το χρησιμοποιήσετε πάλι. Η ανεπαρκής συντήρηση των ηλεκτρικών εργαλείων αποτελεί αιτία πολλών ατυχημάτων.
- f) Διατηρείτε τα κοπτικά εργαλεία κοφτερά και καθαρά. Τα κοπτικά εργαλεία που συντηρούνται με προσοχή μπορούν να οδηγηθούν εύκολα και να ελεγχθούν καλύτερα.
- g) Χρησιμοποιείτε τα ηλεκτρικά εργαλεία, τα εξαρτήματα, τα χρησιμοποιήσιμα εργαλεία κτλ. σύμφωνα με τις παρούσες οδηγίες καθώς. Λαμβάνετε ταυτόχρονα υπόψην σας τις συνθήκες εργασίας και την υπό εκτέλεση εργασία. Η χρήση του ηλεκτρικού εργαλείου για άλλες εκτός από τις προβλεπόμενες εργασίες μπορεί να δημιουργήσει επικίνδυνες καταστάσεις.

5) SERVICE

- a) Δίνετε το ηλεκτρικό σας εργαλείο για επισκευή από άριστα ειδικευμένο προσωπικό, μόνο με γνήσια ανταλλακτικά. Ετσι εξασφαλίζεται η διατήρηση της ασφαλείας του ηλεκτρικού εργαλείου.

ΥΠΟΔΕΙΞΙΣ ΑΣΦΑΛΕΙΑΣ ΓΙΑ ΚΡΟΥΣΤΙΚΟ ΔΡΑΠΑΝΟ

ΓΕΝΙΚΑ

- Αυτό το εργαλείο δεν πρέπει να χρησιμοποιείται από άτομα κάτω των 16 ετών
- Πάντα να αποσυνδέεται την πρίζα από το ηλεκτρικό δίκτυο πριν κάνετε κάποια ρύθμιση ή αλλάξετε εξάρτημα

- Φοράτε ωτασπίδες (η επίδραση του θορύβου μπορεί να οδηγήσει σε απώλεια της ακοής)
- Να χρησιμοποιείτε τις πρόσθετες λαβές που συνοδεύουν το εργαλείο (η απώλεια του ελέγχου μπορεί να οδηγήσει σε τραυματισμούς)
- Χρησιμοποιείτε ασφαλείς, τελειώς ξετυλιγμένες προεκτάσεις καλωδίου με χωρητικότητα 16 Amps
- Μην κατεργάζεστε υλικά που περιέχουν αμίαντο (το αμίαντο θεωρείται σαν καρκινογόνο υλικό)
- Η σκόνη από υλικά όπως μπιονιές που περιέχουν μόλυβδο, ορισμένα είδη ξύλου, ανόργανα στοιχεία και μέταλλα μπορεί να είναι επιβλαβής (η επαφή ή η εισπνοή της σκόνης μπορεί να προκαλέσει αλλεργικές αντιδράσεις ή/και αναπνευστικές ασθένειες στον χρήστη ή σε άτομα που παρίστανται) - να φοράτε προσωπίδα προστασίας από τη σκόνη και να εργάζεστε με συσκευή αφαίρεσης σκόνης όταν είναι δυνατό
- Ορισμένα είδη σκόνης ταξινομούνται ως καρκινογόνα (όπως η σκόνη από τη δρυ ή την οξιά) ιδιαίτερα σε συνδυασμό με πρόσθετα συντήρησης ξύλου - να φοράτε προσωπίδα προστασίας από τη σκόνη και να εργάζεστε με συσκευή αφαίρεσης σκόνης όταν είναι δυνατό
- Ακολουθήστε τις σχετικές με σκόνη εθνικές διατάξεις για τα υλικά που θέλετε να εργαστείτε

ΠΡΙΝ ΑΠΟ ΤΗ ΧΡΗΣΗ

- Βεβαιωθείτε ότι η τάση του παρεχόμενου ρεύματος είναι ίδια με την τάση που υποδεικνύεται στην πινακίδα δεδομένων του εργαλείου (εργαλεία που φέρουν την ένδειξη 230V ή 240V μπορούν να συνδεθούν επίσης σε πρίζα 220V)
- Προφυλάξτε το εργαλείο από τυχόν φθορές από ξένα σώματα (βίδες, καρφιά ή άλλα) που ίσως είναι μέσα στο κομμάτι που θα δουλέψετε - αφαιρέστε τα πριν αρχίσετε την εργασία
- Χρησιμοποιήστε κατάλληλες ανιχνευτικές συσκευές για να εντοπίσετε τυχόν αφανείς τροφοδοτικές γραμμές ή συμβουλευτείτε σχετικά τις επιχειρήσεις παροχής ενέργειας (επαφή με ηλεκτρικές γραμμές μπορεί να οδηγήσει σε πυρκαϊά ή σε ηλεκτροπληξία - βλάβες σε αγωγούς φωταερίου (γκαζιού) μπορεί να οδηγήσουν σε έκρηξη - η διεσδυσή σ' ένα σωλήνα νερού προκαλεί υλικές ζημιές ή μπορεί να προκαλέσει ηλεκτροπληξία)
- Στερεώστε το κομμάτι εργασίας (το κομμάτι εργασίας συγκρατείται καλύτερα με σφιγκτήρες ή σε μέγνη παρά με το χέρι)
- Ποτέ μη χρησιμοποιείτε το εργαλείο όταν έχει υποστεί βλάβη το καλώδιο - το καλώδιο θα πρέπει να αντικατασταθεί από έναν εξειδικευμένο τεχνίτη

ΕΞΑΡΤΗΜΑΤΑ

- Η SKIL εγγυάται την τέλεια λειτουργία του εργαλείου μόνο όταν χρησιμοποιούνται αυθεντικά εξαρτήματα
- Χρησιμοποιείτε μόνο εξαρτήματα των οποίων ο ύψιστος επιτρεπτός αριθμός στροφών είναι τουλάχιστον τόσο υψηλός, όσο ο ύψιστος αριθμός στροφών χωρίς φορτίο του εργαλείου

ΚΑΤΑ ΤΗ ΧΡΗΣΗ

- Να κρατάτε πάντα το καλώδιο μακριά από τα κινούμενα μέρη του εργαλείου σας

- Σε περίπτωση που το τρυπάνι μπλοκάρει κατά την εργασία (προκαλώντας μια απότομη, επικίνδυνη αντίδραση), σβήστε αμέσως το εργαλείο
- **Να κρατάτε το εργαλείο πάντοτε από τις μονωμένες επιφάνειες συγκράτησης όταν κατά τη διάρκεια των εργασιών που εκτελείτε υπάρχει κίνδυνος, το εξάρτημα να κόψει μη ορατές ηλεκτρικές γραμμές ή το ίδιο το καλώδιο του** (η επαφή με μια υπό τάση ευρισκόμενη ηλεκτρική γραμμή θέτει τα μεταλλικά τμήματα του μηχανήματος επίσης υπό τάση κι έτσι προκαλείται ηλεκτροπληξία)
- Σε περίπτωση ηλεκτρικής ή μηχανικής δυσλειτουργίας, σταματήστε αμέσως το εργαλείο και βγάλτε το από την πρίζα
- Σε περίπτωση που υποστεί βλάβη ή κοπεί το καλώδιο κατά την εργασία, μην αγγίζετε το καλώδιο, αλλά αποσυνδέστε αμέσως το φις από την πρίζα

ΜΕΤΑ ΤΗ ΧΡΗΣΗ

- Όταν τελειώνετε την δουλειά σας και ακουμπάτε το εργαλείο στο πλάι, κλείστε τον διακόπτη και βεβαιωθείτε ότι όλα τα κινούμενα μέρη του έχουν σταματήσει εντελώς

ΧΡΗΣΗ

- Εκκίνηση/Στάση ④
 - Ασφάλιση του διακόπτη για συνεχή λειτουργία ⑤
 - Έλεγχος ταχύτητας για ομαλή εκκίνηση ⑥
 - Έλεγχος της μέγιστης ταχύτητας ⑦
- Με τον τροχίσκο C μπορεί να ρυθμιστεί η μέγιστη ταχύτητα από τη χαμηλή στη υψηλή αδιαβαθμητά
- ενεργοποιήστε το εργαλείο
 - ασφαλίστε το διακόπτη
 - γυρίστε τον τροχίσκο C για να επιλέξετε την μέγιστη ταχύτητα
- Αλλαγή της κατεύθυνσης περιστροφής ⑧
 - αν η διακόπτης A ② δεν είναι σωστά τοποθετημένη στη μία ή άλλη θέση δεν μπορεί να ενεργοποιηθεί
 - ! **αλλάξτε την κατεύθυνση περιστροφής μόνο όταν το εργαλείο είναι τελείως σταματημένο**
 - Κανονικό τρύπημα έναντι τρυπήματος με κρούση ⑨
 - το ενδεικτικό F δείχνει τον επιλεγμένο τρόπο λειτουργίας
 - ! **επιλέξτε τον τρόπο λειτουργίας μόνο όταν το εργαλείο είναι σβησμένο και όταν το φις είναι βγαλμένο**
 - Αλλαγή μύτων ⑩
 - τοποθετήστε τη μύτη όσο το δυνατόν βαθύτερα στο τσόκ
 - ! **μη χρησιμοποιείτε μύτη με φθαρμένο στέλεχος**
 - Πώς να ρυθμίσετε το βάθος του τρυπανιού ⑪
 - Πώς να κρατάτε και να οδηγείτε το εργαλείο ⑫
 - ! **ενώ εργάζεστε, να κρατάτε πάντα το εργαλείο από τη/τις λαβή/ές με γκρι χρώμα**
 - να χρησιμοποιείτε πάντοτε την πλευρική χειρολαβή G ② (μπορεί να ρυθμιστεί όπως δείχνει η εικόνα)
 - κρατάτε τις σχισμές αερισμού J ② ακάλυπτες
 - μην ασκείτε υπέρμετρη πίεση στο εργαλείο, αφήστε το εργαλείο να δουλέψει για σας

ΟΔΗΓΙΕΣ ΕΦΑΡΜΟΓΗΣ

- Χρησιμοποιείτε τη κατάλληλη μύτη ⑬
- ! **χρησιμοποιείτε μόνο αιχμηρή μύτη**
- Για τρύπημα στο μπετόν ή σε πέτρα απαιτείται μια σταθερή πίεση πάνω στο δράπανο
- Όταν κάνετε διάτρηση σε σιδηρούχα μέταλλα
 - προ-τρυπήστε μία τρύπα μικρότερη από την απαιτούμενη
 - λιπαίνετε τα εξαρτήματα του τρυπανιού τακτικά με λάδι
- Για σωστό "καθαρό" τρύπημα στο ξύλο ⑭
- Τρύπημα χωρίς σκόνες σε τοίχους ⑮
- Τρύπημα χωρίς σκόνες σε οροφές ⑯
- Τρύπημα χωρίς γλιστρήματα σε πλακάκια ⑰
- Για περισσότερες συμβουλές δείτε www.skil.com

ΣΥΝΤΗΡΗΣΗ / ΣΕΡΒΙΣ

- Αυτό το εργαλείο δεν προορίζεται για επαγγελματική χρήση
- Κρατάτε πάντοτε το εργαλείο και το καλώδιο καθαρά (και ιδιαίτερα τις θυρίδες αερισμού J ②)
- ! **αφαιρέστε την πρίζα πριν το καθάρισμα**
- Αν παρ' όλες τις επιμελημένες μεθόδους κατασκευής κι ελέγχου το εργαλείο σταματήσει κάποτε να λειτουργεί, τότε η επισκευή του πρέπει να ανατεθεί σ' ένα εξουσιοδοτημένο συνεργείο για ηλεκτρικά εργαλεία της SKIL
- στείτε το εργαλείο **χωρίς να το αποσυρμολογήσετε** μαζί με την απόδειξη αγοράς στο κατάστημα από το οποίο το αγοράσατε ή στον πλησιέστερο σταθμό τεχνικής εξυπηρέτησης της SKIL (θα βρείτε τις διευθύνσεις και το διάγραμμα συντήρησης του εργαλείου στην ιστοσελίδα www.skil.com)

ΠΕΡΙΒΑΛΛΟΝ

- **Μην πετάτε τα ηλεκτρικά εργαλεία, εξαρτήματα και συσκευασία στον κάδο οικιακών απορριμμάτων** (μόνο για τις χώρες της ΕΕ)
 - σύμφωνα με την ευρωπαϊκή οδηγία 2002/96/ΕΚ περί ηλεκτρικών και ηλεκτρονικών συσκευών και την ενσωμάτωσή της στο εθνικό δικαίο, τα ηλεκτρικά εργαλεία πρέπει να συλλέγονται ξεχωριστά και να επιστρέφονται για ανακύκλωση με τρόπο φιλικό προς το περιβάλλον
 - το σύμβολο ⑬ θα σας το θυμίσει αυτό όταν έλθει η ώρα να πετάξετε τις

ΔΗΛΩΣΗ ΣΥΜΜΟΡΦΩΣΗΣ CE

- Δηλώνουμε υπευθύνως ότι το προϊόν που περιγράφεται στα "Τεχνικά χαρακτηριστικά" εκπληρώνει τους εξής κανονισμούς ή κατασκευαστικές συστάσεις: EN 60745, EN 61000, EN 55014 σύμφωνα με τις διατάξεις των οδηγιών 2004/108/ΕΚ, 2006/42/ΕΚ, 2011/65/ΕΕ

- **Τεχνικός φάκελος από:** SKIL Europe BV (PT-SEU/ENG1), 4825 BD Breda, NL

Marijn van der Hoofden
Operations & Engineering

Olaf Dijkgraaf
Approval Manager

SKIL Europe BV, 4825 BD Breda, NL

04.07.2013

ΘΟΡΥΒΟ/ΚΡΑΔΑΣΜΟΥΣ

- Μετρημένη σύμφωνα με EN 60745 η στάθμη ακουστικής πίεσης αυτού του εργαλείου ανέρχεται σε 94 dB(A) και η στάθμη ηχητικής ισχύος σε 105 dB(A) (κοινή απόκλιση: 3 dB), και ο κραδασμός σε * m/s² (μεθοδος χειρός/βραχίονα - ανασφάλεια K = 1,5 m/s²)
 - * όταν τρυπάτε σε μέταλλο 3,0 m/s²
 - * όταν τρυπάτε με κρούση σε μπετόν 13,2 m/s²
 - Το επίπεδο παραγωγής κραδασμών έχει μετρηθεί σύμφωνα με μια τυποποιημένη δοκιμή που αναφέρεται στο πρότυπο EN 60745 - μπορεί να χρησιμοποιηθεί για τη σύγκριση ενός εργαλείου με ένα άλλο, καθώς και ως προκαταρκτική αξιολόγηση της έκθεσης στους κραδασμούς όταν το εργαλείο χρησιμοποιείται για τις εφαρμογές που αναφέρονται
 - η χρήση του εργαλείου για διαφορετικές εφαρμογές ή με διαφορετικά ή κακοσυντηρημένα εξαρτήματα μπορεί να **αυξήσει** σημαντικά το επίπεδο έκθεσης
 - όταν το εργαλείο είναι απενεργοποιημένο ή δουλεύει αλλά δεν εκτελεί την εργασία, το επίπεδο έκθεσης μπορεί να **μειωθεί** σημαντικά
- ! προστατευτείτε από τις επιδράσεις των κραδασμών συντηρώντας σωστά το εργαλείο και τα εξαρτήματά του, διατηρώντας τα χέρια σας ζεστά και οργανώνοντας τον τρόπο εργασίας σας**

RO

Mașină de găurit cu percuție

6271/6290

INTRODUCERE

- Această sculă este concepută pentru găuriri cu percuție în cărămidă, beton și piatră, ca și pentru găuriri în lemn, metal, ceramică și material plastic
- Această sculă nu este destinată utilizării profesionale
- Citiți și păstrați acest manual de instrucțiuni ③

DATE TEHNICE ①

ELEMENTELE SCULEI ②

- A Întrerupător deschis/închis și controlul vitezei
- B Buton pentru închiderea întrerupătorului
- C Rotiță pentru reglajul vitezei maxime
- D Comutator pentru schimbarea direcției de rotație
- E Întrerupător pentru alegerea funcției de gaurire

- F Indicator al funcției de găurire selectate
- G Mâner auxiliar
- H Sistem de reglare a adâncimii
- J Fantele de ventilație

SIGURANȚA

INSTRUCȚIUNI DE SIGURANȚĂ GENERALE

⚠ ATENȚIE! Citiți toate indicațiile de avertizare și instrucțiunile. Nerespectarea indicațiilor de avertizare și a instrucțiunilor poate provoca electrocutare, incendii și/sau răniri grave. **Păstrați toate indicațiile de avertizare și instrucțiunile în vederea utilizărilor viitoare.** Termenul de "sculă electrică" folosit în indicațiile de avertizare se referă la sculele electrice alimentate de la rețea (cu cablu de alimentare) și la sculele electrice cu acumulator (fără cablu de alimentare).

1) SIGURANȚA LA LOCUL DE MUNCĂ

- Păstrați-vă locul de muncă curat și bine iluminat.** Dezordinea la locul de muncă sau existența unor sectoare de lucru neiluminate poate duce la accidente.
- Nu folosiți mașina în medii cu pericol de explozie, acolo unde există lichide, gaze sau pulberi inflamabile.** Sculele electrice pot produce scântei care să aprindă pulberile sau vaporii.
- Nu permiteți accesul copiilor și al altor persoane în timpul lucrului cu mașina.** Dacă vi se distrage atenția puteți pierde controlul asupra mașinii.

2) SECURITATE ELECTRICĂ

- Ștecherul de racordare a mașinii trebuie să se potrivească cu priza de alimentare. Nu este permisă în nici-un caz modificarea ștecherului. Nu folosiți adaptoare pentru ștechere la mașinile legate la pământ.** Ștecherele nemodificate și prizele de curent adecvate acestora reduc riscul de electrocutare.
- Evitați contactul corporal cu suprafețe legate la pământ ca țevi, radiatoare, plite electrice și frigidere.** Există un risc crescut de electrocutare atunci când corpul dv. este și el legat la pământ.
- Nu lăsați mașina afară în ploaie sau în medii umede.** Riscul de electrocutare crește atunci când într-o sculă electrică pătrunde apă.
- Nu trageți niciodată mașina de cordonul de alimentare pentru a o transporta, a o atârna sau a scoate ștecherul din priza de curent. Feriți cordonul de alimentare de căldură, ulei, mυχii ascuțiți sau de subsanșamble aflate în mișcare.** Un cordon de alimentare deteriorat sau înfășurat mărește riscul de electrocutare.
- Atunci când lucrați cu scula electrică în aer liber, folosiți numai cordoane prelungitoare autorizate pentru exterior.** Întrebuințarea unui cordon prelungitor adecvat utilizării în aer liber reduce riscul de electrocutare.
- Atunci când nu poate fi evitată utilizarea sculei electrice în medii umede, folosiți un întrerupător de circuit cu împământare.** Folosirea unei întrerupător de circuit cu împământare reduce riscul de electrocutare.

3) SECURITATEA PERSOANELOR

- a) **Fiți vigilenți, fiți atenți la ceea ce faceți și procedați rațional atunci când lucrați cu scula electrică. Nu folosiți mașina dacă sunteți obosiți sau vă aflați sub influența drogurilor, alcoolului sau a medicamentelor.** Un moment de neatenție în timpul lucrului cu mașina poate duce la răniiri grave.
- b) **Purtați echipament de protecție personală și întotdeauna ochelari de protecție.** Folosirea echipamentelor de protecție a persoanei ca mască de protecție împotriva prafului, încălțăminte antiderapantă, cască de protecție sau aparat de protecție auditivă, în funcție de tipul și domeniul de folosire al sculei electrice, reduce riscul răniirilor.
- c) **Evitați o punere în funcțiune involuntară. Înainte de a introduce ștecherul în priză și/sau de a introduce acumulatorul în scula electrică, de a o ridica sau de a o transporta, asigurați vă că acestea este oprită.** Dacă atunci când transportați scula electrică țineți degetul pe întrerupător sau dacă porniți scula electrică înainte de a o racorda la rețeaua de curent, puteți provoca accidente.
- d) **Înainte de a pune mașina în funcțiune scoateți afară cheile reglabile și fixe.** O cheia reglabilă sau fixă, aflată într-o componentă de mașină care se rotește, poate provoca răniiri.
- e) **Nu vă supraapreciați. Asigurați-vă o poziție stabilă și păstrați-vă întotdeauna echilibrul.** Astfel veți putea controla mai bine mașina în situații neașteptate.
- f) **Purtați îmbrăcăminte de lucru adecvată. Nu purtați haine largi sau podoabe. Țineți părul, îmbrăcăminte și mânușile departe de componente aflate în mișcare.** Îmbrăcăminte largă, podoabele și părul lung pot fi prinse de piesele aflate în mișcare.
- g) **Dacă există posibilitatea montării de echipamente și instalații de aspirare și colectare a prafului, asigurați-vă că acestea sunt conectate și folosite corect.** Folosirea unei instalații de aspirare a prafului poate duce la reducerea poluării cu praf.

4) MANEVRAȚI ȘI FOLOSIȚI CU GRIJĂ SCULELE ELECTRICE

- a) **Nu suprasolicitați mașina. Folosiți scula electrică destinată executării lucrării dumneavoastră.** Cu scula electrică potrivită lucrați mai bine și mai sigur în domeniul de putere specificat.
- b) **Nu folosiți scula electrică dacă are întrerupătorul defect.** O sculă electrică, care nu mai poate fi pornită sau oprită este periculoasă și trebuie reparată.
- c) **Scoateți ștecherul afară din priză și/sau îndepărtați acumulatorul, înainte de a executa reglaje, a schimba accesoriile sau de a pune mașina la o parte.** Această măsură preventivă reduce riscul unei porniri involuntare a mașinii.
- d) **În caz de nefolosire păstrați mașinile la loc inaccesibil copiilor. Nu permiteți persoanelor care nu sunt familiarizate cu mașina sau care n-au avut citit prezentele instrucțiuni, să folosească mașina.** Sculele electrice sunt periculoase atunci când sunt folosite de persoane fără experiență.
- e) **Întrețineți-vă cu grijă mașina. Controlați dacă componentele mobile funcționează corect și dacă nu se blochează, dacă nu există piese defecte sau**

deteriorate, care să afecteze funcționarea mașinii. Înainte de a repune în funcțiune mașina, duceți-o la un atelier de asistență service pentru repararea sau înlocuirea pieselor deteriorate. Multe accidente s-au datorat întreținerii defectuoase a sculelor electrice.

- f) **Păstrați accesoriile bine ascuțite și curate.** Accesoriile atent întreținute, cu muchii tăietoare bine ascuțite se blochează mai greu și pot fi conduse mai ușor.
- g) **Folosiți sculele electrice, accesoriile, dispozitivele de lucru etc. conform prezentelor instrucțiuni. Țineți seama de condițiile de lucru și de lucrarea care trebuie executată.** Întrebuițarea unor scule electrice destinate altor utilizări decât cele preconizate, poate duce la situații periculoase.

5) SERVICE

- a) **Permiteți repararea mașinii dumneavoastră numai de către un specialist calificat și numai cu piese de schimb originale.** În acest mod este garantată menținerea siguranței de exploatare a mașinii.

INSTRUCȚIUNI DE SIGURANȚĂ PENTRU MAȘINA DE GĂURIT CU PERCUȚIE

GENERALITĂȚI

- Această sculă nu trebuie să fie folosit de persoane sub 16 ani
- **Decuplați întotdeauna ștecherul de la sursa de alimentare înainte de a face o reglare sau o schimbare de accesoriu**
- **Purtați protecții auditive** (zgomotul poate provoca pierderea auzului)
- **Folosiți mânerul suplimentare din setul de livrare** (pierderea controlului poate duce la vătămări corporale)
- Folosiți cabluri de prelungire derulate complet, protejate/izolate, cu o capacitate de 16 amperi
- **Nu prelucrați materiale care conțin azbest** (azbestul este considerat a fi cancerigen)
- Praful rezultat din materiale precum vopseaua care conține plumb, unele specii de lemn, minerale și metale poate fi periculos (contactul cu praful sau inhalarea acestuia poate provoca reacții alergice și/sau afecțiuni respiratorii operatorului sau persoanelor care stau în apropiere); **purtați o mască de praf și lucrați cu un dispozitiv de extragere a prafului când poate fi conectat**
- Anumite tipuri de praf sunt clasificate ca fiind cancerigene (cum ar fi praful de stejar și fag) în special în combinație cu aditivi pentru tratarea lemnului; **purtați o mască de praf și lucrați cu un dispozitiv de extragere a prafului când poate fi conectat**
- Respectați reglementările naționale referitoare la aspirația prafului în funcție de materialele de lucru folosite

ÎNAINTEA UTILIZĂRII

- Verificați întotdeauna dacă tensiunea de alimentare este aceeași cu tensiunea indicată pe plăcuța de identificare a sculei (sculele cu o specificație de 230V și 240V pot fi conectate și la alimentare de 220V)
- Evitați daunele provocate de șuruburi, ținte și alte elemente din timpul lucrului; înlăturați aceste elemente înainte de a trece la acțiune

- **Folosiți detectoare adecvate pentru depistarea conductelor și conductorilor de alimentare sau apelați în acest scop la întreprinderea locală de furnizare a utilităților** (contactul cu conductorii electrici poate provoca incendii sau electrocutare; deteriorarea unei conducte de gaz poate duce la explozii; spargerea unei conducte de apă provoacă pagube materiale sau poate provoca electrocutare)
- **Securizați piesa de lucru** (o piesă de lucru fixată cu clame sau într-o menghină este ținută mult mai în siguranță decât manual)
- Nu folosiți scula atunci când cordonul sau prezintă defecțiuni; înlocuirea lor se va efectua de o persoană autorizată

ACCESORII

- SKIL garantează funcționarea perfectă a aparatului numai dacă sunt folosite accesoriile originale
- Folosiți numai accesoriile a căror turație admisă este cel puțin egală cu turația maximă la mers în gol a aparatului

ÎN TIMPUL FUNCȚIONĂRII

- Feriți întotdeauna cordonul de părțile în mișcare ale sculei
- Dacă burghiul se blochează brusc (ceea ce cauzează o reacție periculoasă) trebuie să opriți imediat aparatul
- **Apucați mașina numai de mânerul izolat atunci când executați lucrări la care accesoriul ar putea nimeri conductorii ascunși sau propriul cablu de alimentare al mașinii** (contactul cu un conductor sub tensiune determină punerea sub tensiune a componentelor metalice ale mașinii și duce la electrocutare)
- În cazul unor defecțiuni electrice sau mecanice deconectați imediat instrumentul și scoateți șnurul din priză
- În cazul în care cordonul este deteriorat sau secționat în timpul lucrului, nu atingeți cordonul, dar deconectați imediat de la priză

DUPĂ UTILIZARE

- Când puneți instrumentul la o parte, deconectați motorul și asigurați-vă că toate elementele mobile și-au oprit complet mișcarea

UTILIZAREA

- Pornit/oprit ④
- Întrerupător-blocare pentru uz continuu ⑤
- Control de viteză pentru start încet ⑥
- Reglajul vitezei maxime ⑦
Potențiometrul rotativ C asigură reglajul al vitezei maxime de la mică la mare
 - porniți scula
 - blocați comutatorul
 - rotiți potențiometrul rotativ C pentru a selecta viteza maximă
- Schimbarea direcției de rotație ⑧
 - dacă pârghia nu se așa în poziția corectă stânga/dreapta, întrerupător A ② nu va putea fi acționat**! schimbați direcția de rotație abia atunci când aparatul este complet oprit**
- Găurire normală contra găuririi cu percuție ⑨
 - indicatorul F arată funcția selectată de găurire**! selectează funcția de găurire numai când scula este oprită și deconectată de la priză**

- Înlocuirea biți ⑩
 - introduceți bitul mat adânc în mandrina**! nu folosiți biți cu coadă deteriorată**
- Reglajul adâncimii de găurire ⑪
- Mănuirea și dirijarea sculei ⑫
 - ! în timp ce lucrați, țineți întotdeauna scula de zonă (zonele) de prindere colorate gri**
 - **folosiți întotdeauna mânerul auxiliar G ②** (care trebuie să fie ajustat așa cum apare în schemă)
 - mențineți fantele de ventilație J ② neacoperite
 - nu exercitați prea multă presiune asupra aparatului; lăsați aparatul să funcționeze

SFATURI PENTRU UTILIZARE

- Folosiți biți juste ⑬
 - ! folosiți numai biți ascuțite**
- Pentru perforarea în beton sau piatră, este necesară exercitarea unei presiuni constante
- La găurirea în metale feroase
 - când este necesară găurirea la un diametru mare, efectuați întâi o găurire intermediară, la diametru mai mic
 - ungeți cu ulei din când în când burghiul
- Găurire așchiată în lemn ⑭
- Găurire în ziduri fara praf ⑮
- Găurire în plăfoane fara praf ⑯
- Găurire în țigle fara a aluneca ⑰
- A se vedea alte recomandări la www.skil.com

ÎNȚREȚINERE / SERVICE

- Această sculă nu este destinată utilizării profesionale
- Păstrați aparatul și cablul curat (mai ales fantele de ventilație J ②)
 - ! deconectați de la priză înainte de a curăța**
- Dacă în ciuda procedeeilor de fabricație și control riguroase scula are totuși o pană, repararea acesteia se va face numai la un atelier de asistență service autorizat pentru scule electrice SKIL
 - trimiteți scula în **totalitatea lui** cu bonul de cumpărare la distribuitorul sau la centrul de service SKIL cel mai apropiat (adrese și diagrame de service se găsesc la www.skil.com)

MEDIUL

- **Nu aruncați sculele electrice, accesoriile sau ambalajele direct la pubelele de gunoi** (numai pentru țările din Comunitatea Europeană)
 - Directiva Europeană 2002/96/EC face referire la modul de aruncare a echipamentelor electrice și electronice și modul de aplicare a normelor în conformitate cu legislația națională; sculele electrice în momentul în care au atins un grad avansat de uzură și trebuie aruncate, ele trebuie colectate separat și reciclate într-un mod ce respectă normele de protecție a mediului înconjurător
 - simbolul ⑱ vă va reaminti acest lucru

DECLARAȚIE DE CONFORMITATE C E

- Declarăm pe proprie răspundere că produsul descris la paragraful "Date tehnice" este în conformitate cu următoarele standarde și documente normative: EN 60745, EN 61000, EN 55014 conform prevederilor directivelor 2004/108/CE, 2006/42/CE, 2011/65/UE
- **Documentație tehnică la:** SKIL Europe BV (PT-SEU/ENG1), 4825 BD Breda, NL

Marijn van der Hoofden
Operations & Engineering

Olaf Dijkgraaf
Approval Manager

SKIL Europe BV, 4825 BD Breda, NL

04.07.2013

ZGOMOT/VIBRAȚII

- Măsurat în conformitate cu EN 60745 nivelul de presiune a sunetului generat de acest instrument este de 94 dB(A) iar nivelul de putere a sunetului 105 dB(A) (abaterea standard: 3 dB), iar nivelul vibrațiilor * m/s^2 (metoda mînă-brat; incertitudine K = 1,5 m/s^2)
 - * când găuriți în metal 3,0 m/s^2
 - * când găuriți cu percuție în beton 13,2 m/s^2
 - Nivelul emisiilor de vibrații a fost măsurat în conformitate cu un test standardizat precizat în EN 60745; poate fi folosit pentru a compara o sculă cu alta și ca evaluare preliminară a expunerii la vibrații atunci când folosiți scula pentru aplicațiile menționate
 - utilizarea sculei pentru aplicații diferite sau cu accesorii diferite și prost întreținute poate **crește** semnificativ nivelul de expunere
 - momentele în care scula este oprită sau când funcționează dar nu execută nicio lucrare, pot **reduce** semnificativ nivelul de expunere
- ! protejați-vă împotriva efectelor vibrațiilor prin întreținerea sculei și a accesoriilor sale, păstrând mâinile calde și organizând procesele de lucru**

BG

Ударна бормашина

6271/6290

УВОД

- Този инструмент е предназначен за ударно пробиване на тухла, бетон и камък, а също така и за пробиване на дърво, метал, керамика и пластмаса
- Този инструмент не е предназначен за професионална употреба
- Прочетете и пазете това ръководство за работа ③

ТЕХНИЧЕСКИ ДАННИ ①

ЕЛЕМЕНТИ НА ИНСТРУМЕНТА ②

- A Спусък за включване/изключване и регулиране на скоростта
- B Бутон за застопоряване на включващия спусък

- C Диска за регулиране на максимална скорост
- D Превключвател за обръщане на посоката на въртене
- E Превключвател за избор на пробивна функция
- F Индикатор за избраната пробивна функция
- G Помощна ръчка
- H Дълбочинен ограничител
- J Вентилационните отвори

БЕЗОПАСНОСТ

ОБЩИ УКАЗАНИЯ ЗА БЕЗОПАСНА РАБОТА

⚠ ВНИМАНИЕ! Прочетете внимателно всички **указания**. Неспазването на приведените по долу указания може да доведе до токов удар, пожар и/или тежки травми. **Съхранявайте тези указания на сигурно място**. Използваният по-долу термин "електроинструмент" се отнася до захранвани от електрическата мрежа електроинструменти (със захранващ кабел) и до захранвани от акумулаторна батерия електроинструменти (без захранващ кабел).

1) БЕЗОПАСНОСТ НА РАБОТНОТО МЯСТО

- Поддържайте работното си място чисто и подредено.** Безпорядъкът или недостатъчното осветление могат да спомогнат за възникването на трудова злополука.
- Не работете с електроинструмента в среда с повишена опасност от възникване на експлозия, в близост до леснозапалими течности, газове или прахообразни материали.** По време на работа в електроинструментите се отделят искри, които могат да възпламенят прахообразни материали или пари.
- Дръжте деца и странични лица на безопасно разстояние, докато работите с електроинструмента.** Ако вниманието Ви бъде отклонено, може да загубите контрола над електроинструмента.

2) БЕЗОПАСНОСТ ПРИ РАБОТА С ЕЛЕКТРИЧЕСКИ ТОК

- Щепселът на електроинструмента трябва да е подходящ за ползвания контакт. В никакъв случай не се допуска изменение на конструкцията на щепсела. Когато работите със занулени електроуреди, не използвайте адаптери за щепсела.** Ползването на оригинални щепсели и контакти намалява риска от възникване на токов удар.
- Избягвайте допира на тялото Ви до заземени тела, напр. тръби, отоплителни уреди, пещи и хладилници.** Когато тялото Ви е заземено, рискът от възникване на токов удар е по-голям.
- Предпазвайте електроинструмента си от дъжд и влага.** Проникването на вода в електроинструмента повишава опасността от токов удар.
- Не използвайте захранващия кабел за цели, за които той не е предвиден, напр. за да носите електроинструмента за кабела или да извадите щепсела от контакта. Предпазвайте кабела от нагряване, омасляване, допир до остри ръбове или до подвижни звена на машини.** Повредени

или усукани кабели увеличават риска от възникване на токов удар.

- e) **Когато работите с електроинструмент навън, използвайте само удължителни кабели, предназначени за работа на открито.** Използването на удължител, предназначен за работа на открито, намалява риска от възникване на токов удар.
- f) **Ако се налага използването на електроинструмента във влажна среда, използвайте предпазен прекъсвач за утечни токове.** Използването на предпазен прекъсвач за утечни токове намалява опасността от възникване на токов удар.

3) БЕЗОПАСЕН НАЧИН НА РАБОТА

- a) **Бъдете концентрирани, следете внимателно действията си и постъпвайте предпазливо и разумно. Не използвайте електроинструмента, когато сте уморени или под влиянието на наркотични вещества, алкохол или упойващи лекарства.** Един миг разсеяност при работа с електроинструмент може да има за следствие изключително тежки наранявания.
- b) **Работете с предпазващо работно облекло и винаги с предпазни очила.** Носенето на подходящи за ползвания електроинструмент и извършваната дейност лични предпазни средства, като дихателна маска, здрави плътнотазворени обувки със стабилен грайфер, защитна каска или шумозаглушители (антифони), намалява риска от възникване на трудова злополука.
- c) **Избягвайте опасността от включване на електроинструмента по невнимание. Преди да включите щепсела в захранващата мрежа или да поставите акумулаторната батерия, се уверявайте, че пусковият прекъсвач е в положение изключено.** Ако, когато носите електроинструмента, държите пръста си върху пусковия прекъсвач, или ако подавате захранващо напрежение на електроинструмента, когато е включен, съществува опасност от възникване на трудова злополука.
- d) **Преди да включите електроинструмента, се уверявайте, че сте отстранили от него всички помощни инструменти и гаечни ключове.** Помощен инструмент, забравен на въртящо се звено, може да причини травми.
- e) **Не надценявайте възможностите си. Работете в стабилно положение на тялото и във всеки момент поддържайте равновесие.** Така ще можете да контролирате електроинструмента по-добре и по-безопасно, ако възникне неочаквана ситуация.
- f) **Работете с подходящо облекло. Не работете с широки дрехи или украшения. Дръжте косата си, дрехите и ръкавици на безопасно разстояние от въртящи се звена на електроинструментите.** Широките дрехи, украшенията, дългите коси могат да бъдат захванати и увлечени от въртящи се звена.
- g) **Ако е възможно използването на външна аспирационна система, се уверявайте, че тя е включена и функционира изправно.**

Използването на аспирационна система намалява рисковете, дължащи се на отделящата се при работа прах.

4) ВНИМАТЕЛНО ОТНОШЕНИЕ КЪМ ЕЛЕКТРОИНСТРУМЕНТИ

- a) **Не претоварвайте електроинструмента. Използвайте електроинструментите само съобразно тяхното предназначение.** Ще работите по-добре и по-безопасно, когато използвате подходящия електроинструмент в зададения от производителя диапазон на натоварване.
- b) **Не използвайте електроинструмент, чиито пусков прекъсвач е повреден.** Електроинструмент, който не може да бъде изключван и включван по предвидения от производителя начин, е опасен и трябва да бъде ремонтиран.
- c) **Преди да промените настройките на електроинструмента, да замените работни инструменти и допълнителни приспособления, както и когато продължително време няма да използвате електроинструмента, изключвайте щепсела от захранващата мрежа и/или изваждайте акумулаторната батерия.** Тази мярка премахва опасността от задействане на електроинструмента по невнимание.
- d) **Съхранявайте електроинструментите на места, където не могат да бъдат достигнати от деца. Не допускайте те да бъдат използвани от лица, които не са запознати с начина на работа с тях и не са прочели тези инструкции.** Когато са в ръцете на неопитни потребители, електроинструментите могат да бъдат изключително опасни.
- e) **Поддържайте електроинструментите си грижливо. Проверявайте дали подвижните звена функционират безукорно, дали не заклинват, дали има счупени или повредени детайли, които нарушават или изменят функциите на електроинструмента. Преди да използвате електроинструмента, се погрижете повредените детайли да бъдат ремонтирани.** Много от трудовете злополуки се дължат на недобре поддържани електроинструменти и уреди.
- f) **Поддържайте режещите инструменти винаги добре заточени и чисти.** Добре поддържаните режещи инструменти с остри ръбове оказват по-малко съпротивление и се водят по-леко.
- g) **Използвайте електроинструментите, допълнителните приспособления, работните инструменти и т.н., съобразно инструкциите на производителя. С дейности и процедури, евентуално предписани от различни нормативни документи.** Използването на електроинструменти за различни от предвидените от производителя приложения повишава опасността от възникване на трудови злополуки.
- ### 5) ПОДДЪРЖАНЕ
- a) **Допускайте ремонтът на електроинструментите Ви да се извършва само от квалифицирани специалисти и само с използването на оригинални резервни части.** По този начин се гарантира съхраняване на безопасността на електроинструмента.

УКАЗАНИЯ ЗА БЕЗОПАСНА РАБОТА ЗА УДАРНА БОРМАШИНА

ОБЩИ

- Машината не трябва да се използва от лица под 16 години
- **Преди извършването на каквато и да било настройка или смяна на принадлежност винаги изваждайте щепсела от контакта на електрозахранването**
- **Работете с шумозаглушители** (въздействието на шум може да предизвика загуба на слух)
- **Използвайте включените в окомплектовната спомагателни ръкохватки** (при загуба на контрол над инструмента може да се стигне до травми)
- Използвайте напълно развити и безопасени разклонители с капацитет 16 А
- **Не обработвайте азбестосъдържащ материал** (азбестът е канцерогенен)
- Прахът от някои материали, като например съдържаща олово боя, някои видове дървесина, минерали и метали може да бъде вреден (контакт или вдишване на такъв прах могат да причинят алергични реакции и/или респираторни заболявания на оператора или стоящите наблизо лица); **използвайте противопохова масна и работете с аспириращо прахта устройство, когато такова може да бъде свързано**
- Определени видове прах са класифицирани като карциногенни (като прах от дъб и бук) особено когато са комбинирани с добавки за подобряване на състоянието на дървесината; **използвайте противопохова масна и работете с аспириращо прахта устройство, когато такова може да бъде свързано**
- Следвайте дефинираните по БДС изисквания относно запрашеността за материалите, които желеат да обработвате

ПРЕДИ УПОТРЕБА

- Преди включване на инструмента в контакта се уверете, че мрежовото напрежение отговаря на напрежението, обозначено на фирмената табелка на инструмента (инструменти с номинално напрежение 230V или 240V могат да бъдат включени и към захранване с напрежение 220V)
- Избягвайте повреди, които могат да бъдат причинени от винтове, гвоздеи и други метални елементи в обработвания детайл; отстранете ги преди да започнете работата
- **За да откриете скрити под повърхността електро-, водо- и газопроводи, използвайте подходящи уреди или се обърнете към местното снабдително дружество** (прекъсването на електропроводници под напрежение може да предизвика пожар и/или токов удар; увреждането на газопровод може да предизвика експлозия; засягането на водопровод може да предизвика значителни материални щети и/или токов удар)
- **Обезопасете работния материал** (материал, затегнат в затягащ инструмент или в менгеме е по-устойчив, отколкото ако се държи в ръка)

- Не използвайте инструмента, когато е повреден шнурът; замената му следва да се извърши от квалифицирано лице

ДОПЪЛНИТЕЛНИ АКСЕСОАРИ

- SKIL може да осигури безаварийна работа на електроинструмента само ако се използват оригинални допълнителни приспособления
- Използвайте само принадлежности, чиято допустима скорост на въртене е поголяма или равна на максималната скорост на въртене на празен ход на електроинструмента

ПРИ УПОТРЕБА

- Винаги отвеждайте захранващият кабел далеч от движещите се звена на електроинструмента
- Ако свредлото на пробивната инструмент неочаквано заседне (предизвиквайки внезапно, опасно противодействие), незабавно изключете електроинструмента
- **Ако изпльнявате дейности, при които съществува опасност работният инструмент да попадне на скрити проводници под напрежение или да засегне захранващия кабел, допирайте електроинструмента само до електроизолираните ръкохватки** (при контакт с проводник под напрежение то се предава на металните детайли на електроинструмента и това може да предизвика токов удар)
- В случай на електрическа или механична неизправност, изключете незабавно апарата и прекъснете контакта с електрическата мрежа
- Ако кабелът се повреди или среже по време на работа, не го докосвайте, веднага изключете щепсела, никога не използвайте инструмента с повреден кабел

СЛЕД РАБОТА

- Преди да приберете инструмента, изключете мотора и се уверете, че всички движещи се части са преустановили движението

УПОТРЕБА

- Включване/изключване ④
- Застопоряване на включващия спусък за непрекъсната работа ⑤
- Регулиране на скоростта за плавно пускане в ход ⑥
- Управление на максималната скорост ⑦
С диска С максималната скорост може да се регулира от ниска до висока
 - включете инструмента
 - блокирайте ключа
 - завъртете диска С за максимална скорост
- Обръщане на посоката на въртене ⑧
 - ако лостът не е точно в положение включване/изключване, спусъкът А ② не може да бъде активиран
- ! **обръщайте посоката на въртене само когато електроинструментът е напълно спрял**
- Нормално пробиване и ударно пробиване ⑨
 - индикаторът F показва избраната пробивна функция
- ! **избирайте пробивна функция само при изключен инструмент и щепселът е изключен от контакта**

- Смяна на бит ¹⁰
 - поставете бита колкото е възможно по-навътре в патронника
 - ! не използвайте бит с повредена опашка**
- Регулиране на дълбочината на пробиване ¹¹
- Държане и насочване на инструмента ¹²
 - ! по време на работа, винаги дръжте уреда за оцветената(ите) в сиво зона(и) за хващане**
 - винаги използвайте спомагателна ръчка G ² (нагласа се както е показано на илюстрацията)
 - оставяйте вентилационните отвори J ² непокрити
 - не прилагайте твърде голям натиск върху електроинструмента; нека той да свърши работата вместо вас

УКАЗАНИЯ ЗА РАБОТА

- Използвайте подходящи бит ¹³
 - ! използвайте само остри бит**
- При пробиване в бетон или камък е необходим постоянен натиск върху дрелката
- При пробиване на цветни метали
 - ако ви трябва голям отвор, първо пробийте малък
 - от време на време смазвайте свредлата с машинно масло
- Пробиване в дърво без откъртване на ръбчето ¹⁴
- Безпрахово пробиване в стени ¹⁵
- Безпрахово пробиване в тавани ¹⁶
- Пробиване на керамични плочки без плъзгане на свредлото ¹⁷
- За повече полезни указания вж. www.skil.com

ПОДДРЪЖКА / СЕРВИЗ

- Този инструмент не е предназначен за професионална употреба
- Поддържайте винаги електроинструмента и захранващия кабел чисти (особено вентилационните отвори J ²)
 - ! преди почистване изключете щепсела**
- Ако въпреки прецизното производство и внимателно изпитване възникне повреда, инструмента да се занесе за ремонт в оторизиран сервиз за електроинструменти на SKIL
 - занесете инструмента в неразглобен вид заедно с доказателство за покупката му в търговския обект, откъдето сте го закупили, или в най-близкия сервиз на SKIL (адресите, както и схемата за сервизно обслужване на електроинструмента, можете да намерите на адрес www.skil.com)

ОПАЗВАНЕ НА ОКОЛНАТА СРЕДА

- **Не изхвърляйте електроуредите, приспособленията и опаковките заедно с битови отпадъци** (само за страни от ЕС)
 - съобразно Директивата на ЕС 2002/96/EG относно износени електрически и електронни уреди и отрязването ѝ в националното законодателство износените електроуреди следва да се събират отделно и да се предават за рециклиране според изискванията за опазване на околната среда

- за това указва символът ¹⁸ тогава когато трябва да бъдат унищожени

ДЕКЛАРАЦИЯ ЗА СЪОТВЕТСТВИЕ СЕ

- С пълна отговорност ние декларираме, че описаният в "Технически данни" продукт съответства на следните стандарти или нормативни документи: EN 60745, EN 61000, EN 55014 съгласно изискванията на директиви 2004/108/EG, 2006/42/EG, 2011/65/EC
- **Подробни технически описания при:** SKIL Europe BV (PT-SEU/ENG1), 4825 BD Breda, NL

Marijn van der Hoofden
Operations & Engineering

Olaf Dijkgraaf
Approval Manager

SKIL Europe BV, 4825 BD Breda, NL

04.07.2013

ШУМ/ВИБРАЦИИ

- Измерено в съответствие с EN 60745 нивото на звуково налягане на този инструмент е 94 dB(A) а нивото на звукова мощност е 105 dB(A) (стандартно отклонение: 3 dB), а вибрациите са * м/с² (метод ръка-рамо; неопределеност K = 1,5 м/с²)
 - * при пробиване в метал 3,0 м/с²
 - * при ударно пробиване в бетон 13,2 м/с²
- Нивото на предадените вибрации е измерено в съответствие със стандартизирания тест, определен в EN 60745; то може да се използва за сравнение на един инструмент с друг и като предварителна оценка на подлагането на вибрации при използването на инструмента за посочените приложения
 - използването на инструмента за различни от тези приложения или с други, или лошо поддържани аксесоари може значително **да повиши** нивото на което сте подложени
 - периодите от време, когато инструмента е изключен или съответно включен, но с него не се работи в момента могат значително **да намалят** нивото на което сте подложени
- ! предпазвайте се от ефентите от вибрациите, като поддържате инструмента и аксесоарите му, пазите ръцете си топли и организирате вашите модели на работа**

SK

Príklepová vŕtačka

6271/6290

ÚVOD

- Tento nástroj je určený na príklepové vŕtanie do tehál, betónu a kameňa ako aj na vŕtanie do dreva, do kovu, keramiky a materiálov z umelých hmôt
- Tento nástroj nie je vhodný pre profesionálne použitie
- Prečítajte a uschovajte tento návod na použitie ³

TECHNICKÉ ÚDAJE ①

ČASTI NÁSTROJA ②

- A Prepínač zapnúť/vypnúť a regulácia rýchlosti
- B Gombík na uzamknutie vypínača
- C Kolesko na nastavenie maximálnej rýchlosti
- D Prepínač na zmenu smeru otáčania
- E Prepínač na voľbu vrtacej funkcie
- F Indikátor zvolenej vrtacej funkcie
- G Pomocné drážadlo
- H Hľbkový doraz
- J Vetracie štrbiny

BEZPEČNOSŤ

VŠEOBECNÉ BEZPEČNOSTNÉ POKYNY

⚠ POZOR! Prečítajte si všetky výstražné upozornenia a bezpečnostné pokyny. Zanedbanie dodržiavania výstražných upozornení a pokynov uvedených v nasledujúcom texte môže mať za následok zásah elektrickým prúdom, spôsobiť požiar a/alebo ťažké poranenie. **Tieto výstražné upozornenia a bezpečnostné pokyny starostlivo uschovajte na budúce použitie.** Pojem ručné "elektrické náradie" používaný v nasledujúcom texte sa vzťahuje na ručné elektrické náradie napájané zo siete (s prírodnou šnúrou) a na ručné elektrické náradie napájané akumulátorovou batériou (bez prírodnej šnúry).

1) BEZPEČNOSŤ NA PRACOVISKU

- a) **Udržiavajte svoje pracovisko čisté a upratané.** Neporiadok na pracovisku alebo neosvetlené časti pracoviska môžu viesť k úrazom.
- b) **Nepracujte elektrickým náradím v prostredí ohrozenom výbuchom, v ktorom sa nachádzajú horľavé kvapaliny, plyny alebo prach.** Elektrické náradie produkuje iskry, ktoré môžu prach alebo pary zapáliť.
- c) **Deti a iné osoby udržiavajte počas práce od ručného elektrického náradia v dostatočnej vzdialenosti.** V prípade odpútania Vašej pozornosti by ste mohli stratiť kontrolu nad náradím.

2) ELEKTRICKÁ BEZPEČNOSŤ

- a) **Zástrčka prírodnej šnúry sa musí hodiť do napájacej zásuvky. Zástrčka sa v žiadnom prípade nesmie meniť. Pri uzemnených spotrebičoch nepoužívajte spolu s nimi žiadne adaptéry.** Nezmenená zástrčka a vhodná zásuvka znižujú riziko zásahu elektrickým prúdom.
- b) **Vyhýbajte sa telesnému kontaktu s povrchovými plochami uzemnených spotrebičov, ako sú elektrické rúry, vyhrievacie telesá, sporáky a chladničky.** Keď je Vaše telo uzemnené, riziko zásahu elektrickým prúdom je vyššie.
- c) **Chráňte ručné elektrické náradie pred dažďom a vlhkom.** Vniknutie vody do ručného elektrického náradia zvyšuje riziko zásahu elektrickým prúdom.
- d) **Nepoužívajte prírodnú šnúru na prenášanie náradia, na jeho vešanie, ani za ňu nevyťahujte zástrčku zo zásuvky. Prírodnú šnúru chráňte pred horúcou, olejom, ostrými hranami alebo**

pohybujúcimi sa časťami náradia. Poškodené alebo zauzlené šnúry zvyšujú riziko zásahu elektrickým prúdom.

- e) **Ak pracujete s ručným elektrickým náradím vonku, používajte len také predlžovacie šnúry, ktoré sú schválené pre používanie vo vonkajších priestoroch.** Používanie predlžovacej šnúry určenej do vonkajšieho prostredia znižuje riziko zásahu elektrickým prúdom.
- f) **Ak sa nedá vyhnúť použitiu ručného elektrického náradia vo vlhkom prostredí, použite prerušovač uzemňovacieho obvodu.** Používanie prerušovača uzemňovacieho obvodu znižuje riziko zásahu elektrickým prúdom.

3) BEZPEČNOSŤ OSÔB

- a) **Buďte pozorní, dávajte pozor na to, čo robíte a k práci s elektrickým náradím pristupujte rozumne. Nepoužívajte elektrické náradie, keď ste unavení alebo keď ste pod vplyvom drog, alkoholu alebo liekov.** Chvilka nepozornosti pri používaní náradia môže viesť k vážnym poraneniam.
 - b) **Noste osobné ochranné pomôcky, ochranný odev a vždy majte nasadené ochranné okuliare.** Nosenie pracovného odevu a používanie ochranných pomôcok ako ochrannej dýchacej masky, bezpečnostných protišmykových topánok, prilby alebo chrániča sluchu, podľa druhu elektrického náradia, znižuje riziko poranenia.
 - c) **Vyhýbajte sa neúmyselnému uvedeniu ručného elektrického náradia do činnosti. Pred zasunutím zástrčky do zásuvky a/alebo pred pripojením akumulátora, pred chytením alebo prenášaním ručného elektrického náradia sa vždy presvedčte sa, či je ručné elektrické náradie vypnuté.** Ak budete mať pri prenášaní ručného elektrického náradia prst na vypínači, alebo ak ručné elektrické náradie pripojíte na elektrickú sieť zapnutú, môže to mať za následok nehodu.
 - d) **Skôr ako ručné elektrické náradie zapnete, odstráňte nastavovacie a montážne nástroje.** Nástroj alebo kľúč, ktorý sa nachádza v pohyblivej časti náradia, môže spôsobiť poranenie.
 - e) **Neprečunujte sa. Zabezpečte si pevný postoj a neprestajne udržiavajte rovnováhu.** Taktó budete môcť ručné elektrické náradie v neočakávaných situáciách lepšie kontrolovať.
 - f) **Pri práci noste vhodný pracovný odev. Nenoste široké odevy a nemajte na sebe šperky. Dbajte na to, aby ste mali vlasy, odev a rukavice v dostatočnej vzdialenosti od pohyblivých sa častí náradia.** Pohybujúce sa časti náradia by mohli zachytiť voľné oblečenie, šperky alebo dlhé vlasy.
 - g) **Ak možno namontovať zariadenie na odsávanie alebo zachytávanie prachu, presvedčte sa, či je pripojené a správne používané.** Používanie odsávacieho zariadenia a zariadenia na zachytávanie prachu znižuje riziko ohrozenia zdravia prachom.
- #### 4) STAROSTLIVÉ ZAOBCHÁDZANIE S ELEKTRICKÝM NÁRADÍM A JEHO POUŽÍVANIE
- a) **Náradie nepreťažujte. Pre svoju prácu používajte určené elektrické náradie.** Pomocou vhodného

ručného elektrického náradia budete môcť v uvedenom rozsahu výkonu pracovať lepšie a bezpečnejšie.

- b) **Nepoužívajte žiadne ručné elektrické náradie, ktoré má pokazený vypínač.** Ručné elektrické náradie, ktoré sa už nedá zapínať alebo vypínať, je nebezpečné a treba ho dať opraviť.
- c) **Skôr ako začnete náradie nastavovať alebo prestavovať, vymieňajte príslušenstvo alebo skôr, ako odložíte náradie, vždy vytiahnite zástrčku sieťovej šnúry zo zásuvky.** Toto bezpečnostné opatrenie zabraňuje neúmyselnému spusteniu náradia.
- d) **Nepoužívané ručné elektrické náradie uschovávajú mimo dosahu detí. Nedopusťte, aby ručné elektrické náradie používali osoby, ktoré s ním nie sú dôkladne oboznámené, alebo ktoré si neprečítali tento Návod na používanie.** Ak ručné elektrické náradie používajú neskusené osoby, stáva sa nebezpečným nástrojom.
- e) **Elektrické náradie starostlivo ošetrujte. Skontrolujte, či pohyblivé súčiastky náradia bezchybne fungujú a neblokujú a či nie sú zlomené alebo poškodené niektoré súčiastky, ktoré by mohli negatívne ovplyvniť fungovanie ručného elektrického náradia. Pred použitím ručného elektrického náradia dajte poškodené súčiastky opraviť.** Nejedná úraz bol spôsobený zle udržiavaným náradím.
- f) **Používané nástroje udržiavajte ostré a čisté.** Starostlivo ošetrované nástroje s ostrými reznými hranami sa menej často zablokujú a ich vedenie je podstatne ľahšie.
- g) **Používajte ručné elektrické náradie, príslušenstvo, pracovné nástroje a pod. podľa týchto pokynov. Zohľadnite pritom konkrétne pracovné podmienky a činnosť, ktorú máte vykonať.** Používanie ručného elektrického náradia na iné ako určené účely môže viesť k nebezpečným situáciám.

5) SERVIS

- a) **Ručné elektrické náradie zverte do opravy len kvalifikovanému personálu a používajte len originálne náhradné súčiastky.** Tým sa zabezpečí zachovanie bezpečnosti ručného elektrického náradia.

BEZPEČNOSTNÉ POKYNY PRE PRÍKLEPOVÚ VRTÁČKU

VŠEOBECNE

- Tento nástroj by nemali používať osoby mladšie ako 16 rokov
- **Pri nastavovaní alebo výmene príslušenstva vždy vytiahnite prívodný kábel zo zásuvky**
- **Používajte chrániče sluchu** (pôsobenie hluku môže mať za následok stratu sluchu)
- **Používajte prídavné rukoväte, ktoré Vám boli dodané s náradím** (strata kontroly nad náradím môže mať za následok poranenie)
- Používajte úplne odmotanú a bezpečnú predlžovaciu šnúru s kapacitou 16 A
- **Neobrábajte materiál, ktorý obsahuje azbest** (azbest sa považuje za rakovinotvorný materiál)
- Prach z materiálu, akým je náter obsahujúci olovo, niektoré druhy dreva, minerály a kovy môže byť škodlivý (styk alebo nadýchanie prachu môže spôsobiť alergické reakcie a/alebo respiračné ochorenia obsluhy a okolostojacich osôb); **používajte ochrannú masku**

tváre a pracujte so zariadením na odsávanie prachu, ak je takéto zariadenie možné pripojiť

- Určité druhy prachu sú klasifikované ako karcinogénne (akým dubový a bukový prach), a to hlavne v spojení s prísadami pre úpravu dreva; **používajte ochrannú masku tváre a pracujte so zariadením na odsávanie prachu, ak je takéto zariadenie možné pripojiť**
- Dodržujte stanovené nariadenia pre prácu v prašnom prostredí

PRED POUŽITÍM

- Vždy skontrolujte či je napájacie napätie rovnaké ako napätie uvedené na štítku nástroja (nástroj s menovitým napätím 230V alebo 240V môžete pripojiť aj do siete s napätím 220V)
- Zabráňte poškodeniu náradia skrutkami, klincami a inými kovovými predmetmi v obrobku; zoberte ich dole prv než začnete pracovať
- **Na vyhľadanie skrytých elektrických vedení, plynových a vodovodných potrubí použite vhodné hľadacie prístroje, alebo sa spojte s príslušným dodávateľom** (kontakt s elektrickým vedením môže mať za následok vznik požiaru alebo spôsobiť zásah elektrickým prúdom; poškodenie plynového potrubia môže spôsobiť výbuch; prevrtanie vodovodného potrubia spôsobí vecné škody, alebo môže spôsobiť zásah elektrickým prúdom)
- **Zaisťujte obrábaný diel** (obrábaný diel uchytý pomocou upínacích zariadení alebo vo zveráku je oveľa bezpečnejší kým v ruke)
- Nikdy nepoužívajte nástroj ak je šnúra poškodená; šnúru musí vymeniť kvalifikovaná osoba

PRÍSLUŠENSTVO

- SKIL zabezpečí hladký chod nástroja len ak sa používa pôvodné príslušenstvo
- Používajte iba príslušenstvo, u ktorého hodnota prípustných obrátok zodpovedá minimálne najvyšším obrátkam náradia

POČAS PRÁCE

- Elektrickú šnúru udržiajte vždy mimo pohybujúcich sa častí nástroja
- Ak sa hrot vrtáka neočakávane vzpriechi (a spôsobí náhlu, neočakávanú reakciu), tak nástroj ihneď vypnite
- **Elektrické náradie držte za izolované plochy rukoväti pri vykonávaní takej práce, pri ktorej by mohol nástroj natrafiť na skryté elektrické vedenia alebo zasiahnuť vlastnú prívodnú šnúru náradia** (kontakt s vedením, ktoré je pod napätím, spôsobí, že aj kovové súčiastky náradia sa dostanú pod napätie, čo má za následok zásah elektrickým prúdom)
- V prípade elektrickej alebo mechanickej poruchy zastavte okamžite nástroj a vytiahnite zástrčku z nástennej zásuvky
- Ak je sieťová šnúra poškodená alebo ak sa prereže počas prevádzky, nedotýkajte sa jej ale ju ihneď odpojte z hlavnej elektrickej siete

PO PRÁCI

- Skôr než nástroj položíte, presvedčte sa že je motor vypnutý a že sú všetky pohyblivé súčiastky zastavené

POUŽITIE

- Zapínanie/vypínanie ④
- Arétácia vypínača pri nepretržitom používaní ⑤

- Regulácia rýchlosti na hladké zapnutie ⑥
- Maximálne riadenie rýchlosti otáčok ⑦
Pomocou kolieska C je možné nastaviť rýchlosť otáčok od nízkych po vysoké
 - nástroj zapnite
 - zaistíte vypínač
 - otočíte koliesko C na maximálnu rýchlosť
- Zmena smeru otáčania ⑧
 - ak nie je správne nastavená v polohe vľavo/vpravo, spínač A ② sa nedá aktivovať

! zmeňte smer otáčania len keď je nástroj úplne nečinný
- Normálne vŕtanie v porovnaní s príklepovým vŕtaním ⑨
 - indikátor F ukazuje zvolenú funkciu vŕtania

! voľte funkciu vŕtania len keď je náradie vypnuté a zástrčka odpojená
- Ako vymeniť hroty ⑩
 - vložte hrot čo najhlbšie do upínacieho vretena

! nepoužívajte hroty s poškodenou stopkou
- Nastavenie hĺbky vŕtania ⑪
- Držanie a vedenie nástroja ⑫
 - ! počas práce vždy držte nástroj v oblasti sivého držadla(iel)**
 - **vždy použite pomocnú rukoväť G ②** (má sa nastaviť podľa obrázku)
 - vetracie štrbiny J ② udržiajte nezakryté
 - na nástroj príliš netlačte; nechajte nástroj robiť prácu za Váš

RADU NA POUŽITIE

- Používajte vhodné hroty ⑬
 - ! používajte len ostré hroty**
- Pri vŕtaní do betónu alebo do kameňa sa vyžaduje stály, rovnomerný tlak na vrták
- Vŕtanie železných kovov
 - keď je treba vyvŕtať väčšiu dieru, najskôr predvŕtajte menšiu dieru
 - natrite vŕtacie hroty z času na čas olejom
- Vŕtanie do dreva bez triesok ⑭
- Bezprachové vŕtanie do tehál ⑮
- Bezprachové vŕtanie do stropov ⑯
- Vŕtanie do kachličiek bez šmýkania ⑰
- Viac rád nájdete na www.skil.com

ÚDRŽBA / SERVIS

- Tento nástroj nie je vhodný pre profesionálne použitie
- Nástroj a sieťovú šnúru udržiajte stále čisté (zvlášť vetracie štrbiny J ②)
 - ! pred čistením odpojte z elektrickej siete**
- Ak by nástroj napriek starostlivej výrobe a kontrole predsa len prestal niekedy fungovať, treba dať opravu vykonať autorizovanej servisnej opravovni elektrického náradia SKIL
 - pošlite nástroj **bez rozmontovania** spolu s dôkazom o kúpe; vášmu dilerovi alebo do najbližšieho servisného strediska SKIL (zoznam adries servisných stredísk a servisný diagram nástroja sú uvedené na www.skil.com)

ŽIVOTNÉ PROSTREDIE

- **Elektrické náradie, príslušenstvo a balenia nevyhadzujte do komunálneho odpadu** (len pre štáty EÚ)
 - podľa európskej smernice 2002/96/EG o nakladaní s použitými elektrickými a elektronickými zariadeniami a zodpovedajúcich ustanovení právnych predpisov jednotlivých krajín sa použité elektrické náradie musí zbierať oddelene od ostatného odpadu a podrobiť ekologicky šetrnej recyklácii
 - pripomenie vám to symbol ⑱, keď ju bude treba likvidovať

VYHLÁSENIE O ZHODE CE

- Na vlastnú zodpovednosť vyhlasujeme, že dole popísaný výrobok "Technické údaje" sa zhoduje s nasledujúcimi normami alebo normatívnymi dokumentami: EN 60745, EN 61000, EN 55014 podľa ustanovení smernice 2004/108/EG, 2006/42/EG, 2011/65/EU
- **Súbor technickej dokumentácie sa nachádzajú na adrese:** SKIL Europe BV (PT-SEU/ENG1), 4825 BD Breda, NL

Marijn van der Hoofden
Operations & Engineering

Olaf Dijkgraaf
Approval Manager

SKIL Europe BV, 4825 BD Breda, NL

04.07.2013

HLUKU/VIBRÁCIÁCH

- Merané podľa EN 60745 je úroveň akustického tlaku tohto nástroja 94 dB(A) a úroveň akustického výkonu je 105 dB(A) (štandardná odchýlka: 3 dB), a vibrácie sú *
 - * m/s² (metóda ruka - paža; nepresnosť K = 1,5 m/s²)
 - * pri vŕtaní do kovu 3,0 m/s²
 - * pri vŕtaní do betónu s príklepom 13,2 m/s²
- Hladina emisií od vibrácií bola nameraná v súlade s normalizovaným testom uvedeným v norme EN 60745; môže sa používať na vzájomné porovnávanie náradí a na predbežné posúdenie vystavenia účinkom vibrácií pri používaní náradia pre uvedené aplikácie
 - používanie náradia na rôzne aplikácie, alebo v spojení s rôznymi alebo nedostatočne udržiavanými doplnkami môže značne **zvýšiť** úroveň vystavenia
 - časové doby počas ktorých je je náradie vypnuté alebo počas ktorých náradie beží ale v skutočnosti nevykonáva prácu môžu značne **znižit'** úroveň vystavenia
- **! chráňte sa pred účinkami vibrácií tak, že budete náradie a jeho príslušenstvo spravidla udržiavať, tak že nebudete pracovať so studenými rukami a tak že si svoje pracovné postupy správne zorganizujete**

Udarna bušilica

6271/6290

UVOD

- Alat je predviđen za udarno bušenje u opeci, betonu i kamenju, kao i za bušenje u drvo, metal, keramiku i plastiku
- Ovaj uređaj nije namijenjen profesionalnoj upotrebi
- Pažljivo pročitajte i sačuvajte ove upute za rukovanje ③

TEHNIČKI PODACI ①

DIJELOVI ALATA ②

- A Prekidač za uključivanje/isključivanje i za kontrolu brzine
- B Gumb za blokiranje prekidača
- C Kotačić za kontrolu max. broja okretaja
- D Prekidač za promjenu smjera rotacije
- E Prekidač za biranje funkcije bušenja
- F Pokazivač odabrane funkcije bušenja
- G Pomoćna drška
- H Graničnik dubine bušenja
- J Otvori za strujanje zraka

SIGURNOST

OPĆE UPUTE ZA SIGURAN RAD

⚠ PAŽNJA! Treba pročitati sve napomene o sigurnosti i upute. Ako se ne bi poštivala napomene o sigurnosti i upute to bi moglo uzrokovati strujni udar, požar i/ili teške ozljede. **Sačuvajte sve napomene o sigurnosti i upute za buduću primjenu.** U daljnjem tekstu korišten pojam "električni alat" odnosi se na električne alate s priključkom na električnu mrežu (s mrežnim kabelom) i na električne alate s napajanjem iz aku baterije (bez mrežnog kabela).

1) SIGURNOST NA RADNOM MJESTU

- a) **Vaše radno područje održavajte čisto i uredno.** Nered ili neosvijetljeno radno područje mogu doći do nezgoda.
- b) **S uređajem ne radite u okolini ugroženoj eksplozijom, u kojoj se nalaze zapaljive tekućine, plinovi ili prašina.** Električni alati proizvode iskre koje mogu zapaliti prašinu ili pare.
- c) **Djecu i ostale osobe držite dalje tijekom korištenja električnog alata.** Ako bi skrenuli pozornost sa posla mogli bi izgubiti kontrolu nad uređajem.

2) ELEKTRIČNA SIGURNOST

- a) **Priključni utikač uređaja treba odgovarati utičnici.** Na utikaču se ni u kojem slučaju ne smiju izvoditi izmjene. **Ne koristite adapterske utikače zajedno sa uređajima koji su zaštićeni uzemljenjem.** Originalni utikač i odgovarajuće utičnice smanjuju opasnost od električnog udara.
- b) **Izbjegavajte dodir tijela s uzemljenim površinama kao što su cijevi, centralno grijanje, štednjaci i hladnjaci.** Postoji povećana opasnost od električnog udara ako je vaše tijelo uzemljeno.

- c) **Držite uređaj dalje od kiše ili vlage.** Prodiranje vode u električni uređaj povećava opasnost od električnog udara.
- d) **Priključni kabel ne koristite za nošenje, vješanje ili za izvlačenje utikača iz utičnice.** Držite kabel dalje od izvora topline, ulja, oštih rubova ili pomičnih dijelova uređaja. Oštećen ili usukan kabel povećava opasnost od električnog udara.
- e) **Ako s električnim uređajem radite na otvorenom, koristite samo produžni kabel odobren za uporabu na otvorenom.** Primjena produžnog kabela prikladnog za uporabu na otvorenom smanjuje opasnost od električnog udara.
- f) **Ako se ne može izbjeći uporaba električnog alata u vlažnoj okolini, upotrijebite sigurnosna sklopka za propuštanje u zemlju.** Upotrebom sigurnosne sklopke za propuštanje u zemlju smanjuje se opasnost od električnog udara.

3) SIGURNOST LJUDI

- a) **Budite oprezni, pazite što činite i postupajte razumno kod rada s električnim alatom. Ne koristite uređaj ako ste umorni ili pod utjecajem opojnih sredstava, alkohola ili lijekova.** Trenutak nepažnje kod uporabe uređaja može doći do ozbiljnih ozljeda.
- b) **Nosite sredstva osobne zaštite i uvijek zaštitne naočale.** Nošenje sredstava osobne zaštite, kao što je zaštitna maska, sigurnosne cipele koje ne klize, zaštitne kacige ili štitnika za sluh, ovisno od vrste i primjene električnog alata, smanjuje opasnost od nezgoda.
- c) **Izbjegavajte nehotično puštanje u rad. Prije nego što ćete utaknuti utikač u utičnicu i/ili staviti aku-bateriju, provjerite je li električni alat isključen.** Ako kod nošenja električnog alata imate prst na prekidaču ili se uključeni uređaj priključi na električno napajanje, to može dovesti do nezgoda.
- d) **Prije nego što uređaj uključite, uklonite alate za podešavanje ili vijčane ključeve.** Alat ili ključ koji se nalazi u rotirajućem dijelu uređaja može doći do nezgoda.
- e) **Ne precjenjujte svoje sposobnosti. Zauzmite siguran i stabilan položaj tijela i držite u svakom trenutku ravnotežu.** Na taj način možete uređaj bolje kontrolirati u neočekivanim situacijama.
- f) **Nosite prikladnu odjeću. Ne nosite široku odjeću ili nakit. Neka vaša kosa, odjeća i rukavice budu što dalje od pomičnih dijelova.** Mohavu odjeću, nakit ili dugu kosu mogu zahvatiti pomični dijelovi uređaja.
- g) **Ako se mogu montirati naprave za usisavanje i hvatanje prašine, provjerite da li su iste priključene i da li se pravilno koriste.** Primjena naprave za usisavanje može smanjiti ugroženost od prašine.

4) BRIŽLJIVA UPORABA ELEKTRIČNIH ALATA

- a) **Ne preopterećujte uređaj. Koristite za vaše radove za to predviđen električni alat.** S odgovarajućim električnim alatom radit ćete bolje i sigurnije, u navedenom području učinka.
- b) **Ne koristite električni alat čiji je prekidač neispravan.** Električni alat koji se više ne može uključiti ili isključiti, opasan je i treba se popraviti.
- c) **Izbjegavajte dodir uzemljenih utičnica i/ili izvadiite aku-bateriju prije podešavanja uređaja, zamjene**

pribora ili odlaganja uređaja. Ovim mjerama opreza spriječite će se nehotično pokretanje uređaja.

- d) **Nekorištene električne alate spremite izvan dosega djece. Ne dopustite da uređaj koriste osobe koje s njim nisu upoznate ili koje nisu pročitale upute za uporabu.** Električni alati su opasni ako ih koriste neiskusne osobe.
 - e) **Uređaj održavajte s pažnjom. Kontrolirajte da li pomični dijelovi uređaja besprijekorno rade i da nisu zaglavljani, te da li su dijelovi polomljeni ili tako oštećeni da negativno djeluju na funkciju uređaja. Popravite oštećene dijelove prije uporabe uređaja.** Mnoge nezgode imaju svoj uzrok u loše održanim uređajima.
 - f) **Rezne alate održavajte ostrim i čistim.** Pažljivo održavani rezni alati s ostrim oštricama neće se zaglaviti i lakši su za vođenje.
 - g) **Koristite električne alate, pribor, radne alate, itd., prema navedenim uputama. Pri tome uzmite u obzir radne uvjete i radove koje se izvode.** Uporaba električnih alata za neke druge primjene različite od predviđenih, može doći do opasnih situacija.
- 5) SERVIS**
- a) **Popravak uređaja prepustite samo kvalificiranom stručnom osoblju i samo s originalnim rezervnim dijelovima.** Na taj će se način postići održanje stalne sigurnosti uređaja.

UPUTE ZA SIGURAN RAD S UDARNA BUŠILICAMA

OPĆENITO

- Uređaj ne bi smjele koristiti osobe mlađe od 16 godina
 - **Prije svih radova održavanja, podešavanja ili izmjene alata i pribora treba izvući utikač iz mrežne utičnice**
 - **Nosite štitnike za sluh** (djelovanje buke može dovesti do gubitka sluha)
 - **Koristite pomoćne ručke isporučene sa alatom** (gubitak kontrole nad alatom može uzrokovati ozljede)
 - Upotrebljavajte samo neodmotane i zaštićene produžne kabele kapaciteta 16 ampera
 - **Ne obrađujte materijal koji sadrži azbest** (azbest se smatra kancerogenim)
 - Prašina od materijala kao što su boje koje sadrže olovo, neke vrste drveća, minerali i metal mogu biti opasne (dodir s prašinom ili njeno udisanje mogu prouzročiti alergične reakcije i/ili respiratorna oboljenja rukovatelja ili posmatrača); **nosite masku za zaštitu od prašine i radite s uređajem za ekstrakciju prašine ukoliko ga možete priključiti**
 - Odredene vrste prašine klasificiraju se kao karcinogenske (kao što su prašina hrastovine i bukovine), osobito u sudejstvu s aditivima za kondicioniranje drveta; **nosite masku za zaštitu od prašine i radite s uređajem za ekstrakciju prašine ukoliko ga možete priključiti**
 - Nacionalni uvjeti za materijale s kojima želite raditi
- PRIJE UPORABE**
- Uvijek provjerite je li napon napajanja isti kao onaj naveden na tipskoj pločici uređaja (uređaji označeni s 230V ili 240V mogu raditi i na 220V)
 - Izbjegavajte oštećenja od vijaka, čavala i sličnih predmeta na vašem izratku; prije početka rada ih izvadite

- **Koristite prikladne uređaje za traženje napona kako bi se pronašli skriveni napojni vodovi ili se savjetuje s lokalnim distributerom** (kontakt s električnim vodovima mogao bi doći do požara i električnog udara; oštećenje plinske cijevi moglo bi dovesti do eksplozije; probijanje vodovodne cijevi uzrokuje materijalne štete ili može uzrokovati električni udar)
- **Osigurajte izradak** (izradak je sigurnije pričvršćen pomoću stezaljke ili škripa nego da ga držite rukom)
- Nikad ne upotrebljavajte alat kad su kabel oštećeni; neka iz zamijeni kvalificirana osoba

PRIBOR

- SKIL može osigurati besprijekoran rad uređaja samo ako se koristi originalni pribor
- Upotrebljavajte pribor čija dopuštena brzina odgovara najvećoj brzini alata u praznom hodu

TIJEKOM UPORABE

- Kabel uvijek držati dalje od rotirajućih dijelova uređaja
 - U slučaju neočekivanog blokiranja svrdla (uz opasnu povratnu reakciju), uređaj treba odmah isključiti
 - **Električni alat držite samo na izoliranim ručkama, ako izvodite radove kod kojih bi pribor mogao zahvatiti skrivene električne vodove ili vlastiti priključni kabel** (vodovi pod naponom stavljaju metalne dijelove električnog alata pod napon, što bi dovelo do električnog udara)
 - U slučaju neobičajenog ponašanja uređaja ili neobičnih šumova, uređaj treba odmah isključiti i izvući utikač iz mrežne utičnice
 - Ako se tijekom rada priključni kabel ošteti ili odreže, ne dirati priključni kabel, nego odmah izvući mrežni utikač
- NAKON UPORABE**
- Čim se odmaknete od alata trebate ga isključiti, a pomični se dijelovi trebaju potpuno zaustaviti

POSLUŽIVANJE

- Uključivanje/isključivanje ④
 - Aretiranje prekidača za stalan rad ⑤
 - Reguliranje broja okretaja za meko pokretanje ⑥
 - Kontrola max. broja okretaja ⑦
- Kotačićem C se maksimalni broj okretaja namješta od najmanjeg do najvećeg
- uključite uređaj
 - blokirati prekidač
 - na kotačiću C prethodno odabrati max. broj okretaja
- Promjena smjera rotacije ⑧
 - ako položaj lijevo/desno nije ispravno preskočio, prekidač A ② se ne može aktivirati
- ! smjer rotacije mijenjati samo dok alat miruje**
- Normalno bušenje ili udarno bušenje ⑨
 - pokazivač F prikazuje odabranu funkciju bušenja
- ! funkciju bušenja birati samo kad je alat isključen i ako je izvučen mrežni utikač**
- Zamjena nastavaka ⑩
 - umetnuti nastavak što dublje u steznu glavu
- ! ne koristite nastavke s oštećenom drškom**
- Namještanje dubine bušenja ⑪
 - Držanje i vođenje uređaja ⑫
- ! alat kod primjene, držati samo na sivo označenim područjima**
- uvijek koristite pomoćnu ručku G ② (može se podesiti kako je prikazano)

- otvore za strujanje zraka J (2) držite nepokriveno
- ne djelujte prevelikom pritiskom na uređaj; ostavite uređaju da radi za vas

SAVJETI ZA PRIMJENU

- Treba koristiti odgovarajuće bitove (13)
- ! **koriste se samo oštri bitovi**
- Kod bušenja betona ili kamena, treba se stalnim pritiskom djelovati na svrdlo
- Kod bušenja metala
 - predbušiti manju rupu ako se buši velika rupa
 - nastavke po potrebi namazati uljem
- Bušenje u drvo bez stvaranja iveraka (14)
- Bušenje u zid bez stvaranja prašine (15)
- Bušenje u strop bez stvaranja prašine (16)
- Bušenje keramičkih pločica bez klizanja vrha svrdla (17)
- Dodatne savjete možete naći na adresi www.skil.com

ODRŽAVANJE / SERVISIRANJE

- Ovaj uređaj nije namijenjen profesionalnoj upotrebi
- Održavajte čistim uređaj i kabel (osobito otvore za hlađenje J (2))
- ! **prije čišćenja treba izvući mrežni utikač**
- Ako bi uređaj unatoč brižljivim postupcima izrade i ispitivanja ipak prestao raditi, popravak treba prepustiti ovlaštenom servisu za SKIL električne alate
 - uređaj treba **nerastavljeno** predati, zajedno s računom o kupnji u najbližu SKIL ugovornu servisnu radionicu (popise servisa, kao i oznake rezervnih dijelova uređaja možete naći na adresi www.skil.com)

ZAŠTITA OKOLIŠA

- **Električne alate, pribor i ambalažu ne bacajte u kućni otpad** (samo za EU-države)
 - prema Europskoj direktivi 2002/96/EG o staroj električnoj i elektroničkoj opremi i njenoj primjeni u skladu sa nacionalnim zakonom, istrošeni električni alati moraju se sakupljati odvojeno i odvesti u posebne pogone za reciklažu
 - na to podsjeća simbol (18) kada se javi potreba za odlaganjem

DEKLARACIJA O SUKLADNOSTI CE

- Izjavljujemo uz punu odgovornost da je ovaj proizvod opisan u "Tehnički podaci" usklađen sa slijedećim normama ili normativnim dokumentima: EN 60745, EN 61000, EN 55014, prema odredbama smjernica 2004/108/EG, 2006/42/EG, 2011/65/EU
- **Tehnička dokumentacija se može dobiti kod:** SKIL Europe BV (PT-SEU/ENG1), 4825 BD Breda, NL

Marijn van der Hoofden
Operations & Engineering

Olaf Dijkgraaf
Approval Manager




SKIL Europe BV, 4825 BD Breda, NL

04.07.2013

BUČI/VIBRACIJAMA

- Mjereno prema EN 60745 prag zvučnog tlaka ovog električnog alata iznosi 94 dB(A) a jakost zvuka 105 dB(A) (standardna devijacija: 3 dB), a vibracija * m/s² (postupkom na šaci-ruci; nesigurnost K = 1,5 m/s²)
 - * kod bušenja u metalu 3,0 m/s²
 - * kod udarnog bušenja u betonu 13,2 m/s²
- Razina emitiranja vibracija izmjerena je sukladno normiranom testu danom u EN 60745; ona se može koristiti za usporedbu jedne alatke s drugom, te preliminarnu procjenu izloženosti vibracijama pri uporabi alatke za navedene namjene
 - uporaba ove alatke za druge namjene ili s drugim ili slabo održavanim nastavcima, može u značajnoj mjeri **uvećati** razinu izloženosti
 - vrijeme tokom kojega je alatka isključena, ili je uključena ali se njome ne radi, može značajno **umanjiti** razinu izloženosti
- ! **zaštitite se od posljedica vibracija održavanjem alatke i njezinih nastavaka, održavanjem Vaših ruku toplima, te organiziranjem Vaših obrazaca rada**

(SRB)

Vibraciona bušilica

6271/6290

UPUTSTVO

- Alat je namenjen bušenju sa udarcima cigle, betona, kamena kao i bušenju drveta, metala, keramike i plastike
- Ovaj alat nije namenjen za profesionalnu upotrebu
- Pažljivo pročitajte i sačuvajte ova uputstva za rukovanje (3)

TEHNIČKI PODACI (1)

ELEMENTI ALATA (2)

- A Prekidač za uključivanje/isključivanje i kontrolu brzine
- B Dugme za učvršćivanje prekidača
- C Točak za kontrolu maksimalne brzine
- D Prekidač za promenu smera rotacije
- E Prekidač za biranje funkcije za bušenje
- F Indikator izabrane funkcije za bušenje
- G Pomoćna ručica
- H Merač dubine
- J Prerezi za hlađenje

SIGURNOST

OPŠTA UPUTSTVA O SIGURNOSTI

PAŽNJA! Čitajte sva upozorenja i uputstva. Propusti kod pridržavanja upozorenja i uputstava mogu imati za posledicu električni udar, požar i/ili teške povrede. **Čuvajte sva upozorenja i uputstva za budućnost.** Pojam upotrebljen u upozorenjima "električni alat" odnosi se na električne alate sa radom na mreži (sa mrežnim kablom) i na električne alate sa radom na akumulator (bez mrežnog kabla).

1) SIGURNOST NA RADNOM MESTU

- a) **Držite Vaše područje rada čisto i pospremljeno.**
Nered ili neosvetljena radna područja mogu voditi nesrećama.
- b) **Ne radite sa aparatom u okolini ugroženoj od eksplozija u kojoj se nalaze zapaljive tečnosti, gasovi ili prašine.** Električni alati proizvode varnice, koje mogu zapaliti prašinu ili isparenja.
- c) **Za vreme korišćenja električnog alata držite podalje decu i druge osobe.** Kod skretanja možete izgubiti kontrolu nad aparatom.

2) ELEKTRIČNA SIGURNOST

- a) **Utikač za priključak aparata mora odgovarati utičnoj kutiji. Utikač se nesme nikako menjati. Ne upotrebljavajte adaptere utikača zajedno sa aparatima sa uzemljenom zaštitom.** Ne promenjeni utikači i odgovarajuće utičnice smanjuju rizik od električnog udara.
- b) **Izbegavajte telesni kontakt sa uzemljenim gornjim površinama, kao što su cevi, grejanja, šporeti i rashladni ormani.** Postoji povećani rizik od električnog udara, ako je Vaše telo uzemljeno.
- c) **Držite aparat podalje od kiše ili vlage.** Prodiranje vode u električni aparat povećava rizik od električnog udara.
- d) **Ne koristite kabl da bi aparat nosili, obesili ili ga izvlačili iz utičnice. Držite kabl dalje od vreline, ulja, oštih ivica ili pokretnih delova aparata.** Oštećeni ili zamršeni kablovi povećavaju rizik od električnog udara.
- e) **Ako sa nekim električnim alatom radite u prirodi, upotrebljavajte samo produžne kablove koji su dozvoljeni za spoljno područje.** Upotreba produžnog kabla pogodnog za spoljno područje smanjuje rizik od električnog udara.
- f) **Ako rad električnog alata ne može da se izbegne u vlažnoj okolini, koristite prekidač strujne zaštite pri kvaru.** Upotreba prekidača strujne zaštite pri kvaru smanjuje rizik od električnog udara.

3) SIGURNOST OSOBA

- a) **Budite pažljivi, pazite na to, šta radite i idite razumno na posao sa električnim alatom. Ne upotrebljavajte aparat, kada ste umorni ili pod uticajem droga, alkohola ili lekova.** Momenat nepažnje kod upotrebe aparata može voditi do ozbiljnih povreda.
- b) **Nosite ličnu zaštitnu opremu i uvek zaštitne naočare.** Nošenje lične zaštitne opreme, kao maske za prašinu, sigurnosne cipele koje ne klizaju, zaštitni šlem ili zaštitu za sluh, zavisno od vrste i upotrebe električnog alata, smanjujete rizik od povreda.
- c) **Izbegavajte nenamerno puštanje u rad. Uverite se da je električni alat isključen, pre nego što ga priključite na struju i/ili na akumulator, uzmete ga ili nosite.** Ako prilikom nošenja električnog alata držite prst na prekidaču ili aparat uključuje priključujete na struju, može ovo voditi nesrećama.
- d) **Uklonite alate za podešavanje ili ključeve za zavrtnje, pre nego što uključite aparat.** Alat ili ključ koji se nalazi u delu aparata koji se okreće, može voditi povredama.
- e) **Ne preceanjete sebe. Pobrinite se da sigurno stojite i održavajte u svako doba ravnotežu.** Na taj način

možete bolje kontrolisati aparat u neočekivanim situacijama.

- f) **Nosite pogodno odelo. Ne nosite široko odelo ili nakit. Držite kosu, odelo i rukavice podalje od pokretnih delova.** Opušteno odelo, nakit ili duža kosa mogu biti zahvaćeni od rotirajućih delova.
- g) **Ako se mogu montirati uređaji za usisavanje prašine i uređaji za hvatanje prašine, uverite se da li su priključeni i ispravno koriste.** Upotreba usisavanja prašine može smanjiti opasnosti od prašine.
- ## 4) BRIŽLJIVO OPHODJENJE I KORIŠĆENJE ELEKTRIČNIH ALATA
- a) **Ne preopterećujte aparat. Upotrebljavajte za Vaš posao električni alat određen za to.** Sa odgovarajućim električnim alatom radićete bolje i sigurnije u navedenom području rada.
- b) **Ne upotrebljavajte električni alat, čiji je prekidač u kvaru.** Električni alat koji više ne može da se uključi ili isključi je opasan i mora da se popravi.
- c) **Izvcite utikač iz utičnice i/ili uklonite akumulator pre nego što preduzmete podešavanja na aparatu, promenu delova pribora ili ostavite aparat.** Ova mera opreza sprečava nenamernan start aparata.
- d) **Čuvajte nekorisćene električne alate izvan domašaja dece. Ne dopustite osobama da koriste aparat, koje ga ne poznaju ili nisu pročitale ova uputstva.** Električni alati su opasni, ako ih koriste neiskusne osobe.
- e) **Održavajte aparat brižljivo. Kontrolišite, da li pokretni delovi aparata funkcionišu besprekorno i ne slepljuju, da li su delovi slomljeni ili tako oštećeni, da je funkcija aparata oštećena. Popravite oštećene delove pre upotrebe aparata.** Mnoge nesreće imaju svoj uzrok u loše održanim električnim alatima.
- f) **Držite alate za sečenje oštre i čiste.** Brižljivo negovani alati za sečenje sa oštrim sečivima manje slepljuju i lakše se vode.
- g) **Upotrebljavajte električne alate, pribor, alate koji se umeću itd. prema ovim uputstvima. Obratite pažnju pritom na uputstva za rad i posao koji treba izvesti.** Upotreba električnih alata za druge od propisanih namena može voditi opasnim situacijama.

5) SERVIS

- a) **Neka Vam Vaš aparat popravljiva samo kvalifikovano stručno osoblje i samo sa originalnim rezervnim delovima.** Na taj način se obezbeđuje da ostane sačuvana sigurnost aparata.

SIGURNOSNA UPUTSTVA ZA VIBRACIONE BUŠILICE

OPŠTA

- Ovaj alat ne treba da koriste osobe ispod 16 godina
- **Obavezno iskopčajte alat iz električne utičnice pre nego što izvršite bilo kakva podešavanja ili zamenu pribora**
- **Nosite zaštitu za sluh** (uticaj galame može uticati na gubitak sluha)
- **Koristite sa uređajem isporučene dodatne ručke** (gubitak kontrole može uticati na povredu)
- Produžni kabl koji koristite mora da bude sasvim odmotan i siguran, sa kapacitetom od 16 A
- **Ne obradjujte nikakav materijal koji sadrži azbest** (azbest važi kao izazivač raka)

- Prašina od materijala, kao što su boja koja sadrži olovo, neke vrste drveta, minerali i metal, može biti opasna (dodir ili udisanje prašine može prouzrokovati alergijske reakcije i/ili respiratorna oboljenja rukovaoca i lica u blizini); **nosite masku protiv prašine i radite uz uključeni uređaj za ekstrakciju prašine kada radite na mestima gde ju je moguće priključiti**
- Određene vrste prašine su klasifikovane kao kancerogene (kao što su prašina hrastovine i bukovine), posebno u sadejstvu sa aditivima za pripremu drveta; **nosite masku protiv prašine i radite uz uključeni uređaj za ekstrakciju prašine kada radite na mestima gde ju je moguće priključiti**
- Prati nacionalne propise vezane za prašinu koja se proizvodi prilikom rada na obrađivanim materijalima

PRE UPOTREBE

- Uvek se уверite da je napon struje isti kao i napon naveden na pločici sa nazivom alatu (alati na kojima je naveden napon od 230V ili 240V mogu da rade i na 220V)
- Izbegavajte oštećenja od šrafova, eksera i drugih predmeta na vašem području rada; uklonite ih pre nego što započnete rad
- **Koristite odgovarajuće aparate za proveru dali se u zidu koji bušimo nalaze skrivene instalacije, ili za taj posao nađite odgovarajuće preduzeće** (kontakt sa električnim vodovima može izazvati požar ili električni udar; oštećenje gasovoda može izazvati eksploziju; probijanje cevi sa vodom uzrokuje štete ili može izazvati električni udar)
- **Obezbedite radni predmet** (radni predmet stegnut pomoću stega ili nečeg sličnog je mnogo stabilniji nego kada se drži rukom)
- Nikada nemojte da koristite alat ako je kabl oštećen; zamenu kabla mora da obavi stručno lice

PRIBOR

- SKIL može priznati garanciju samo ukoliko je korišćen originalni pribor
- Koristite samo pribor čija je dozvoljena brzina u najmanju ruku jednaka najvećoj brzini pri praznom hodu električnog alata

TOKOM UPOTREBE

- Kabl uvek držite podalje od pokretnih delova alata
- U slučaju iznenadne blokade burgije stvaranja povratnih sila pri alatu, alat odmah treba isključiti
- **Hvatajte električni alat samo za izolovane hvataljke, ako izvodite radove, kod pribor može sresti skrivene vodove struje ili vlastiti mrežni kabl** (kontakt sa vodom koji provodi napon stavlja i metalne delove električnog alata pod napon i vodi električnom udaru)
- U slučaju da dođe do električnog ili mehaničkog kvara, odmah isključite alat i iskopčajte ga iz utičnice
- Ako se kabl ošteti ili preseče u toku rada, odmah ga iskopčajte i nemojte ga dodirivati

NAKON UPOTREBE

- Kada završite rad sa alatom, isključite motor i proverite da li su se zaustavili svi pokretni delovi

UPUTSTVO ZA KORIŠĆENJE

- Uključivanje/isključivanje ④
- Učvršćivanje prekidača za stalno bušenje ⑤
- Zakočenje prekidača za lagani start ⑥

- Kontrola maksimalne brzine ⑦
Točkom C možete podesiti maksimalnu brzinu od niskog do visokog stepena
 - uključite alat
 - učvrstite prekidač
 - na točku C podesiti maksimalnu brzinu
- Izmena smera rotacije ⑧
 - ako leva/desna pozicija ne ulegnu kako treba, prekidač A ② neće moći biti strtovan

! smer rotacije menjati samo kada alat potpuno miruje
- Normalno bušenje ili bušenje sa udarcima ⑨
 - indikator F prikazuje izabranu funkciju za bušenje

! birati funkciju za bušenje samo kada je alatka isključena i utikač iskopčan
- Izmena bitseva ⑩
 - stavite bit što je moguće dublje u futer bušilice
 - **ne koristite bitseve sa oštećenim prihvatom**
- Podešavanje dubine bušenja ⑪
- Držanje i upravljanje alata ⑫
 - **dok radite, uvek držite alat za mesto(a) koje(a) su označena sivom bojom**
 - **alat uvek držati samo za bočnu dršku G ②** (može se podešavati kao na crtežu)
 - prerezi za hlađenje J ② moraju da budu otvoreni
 - ne pritiskati alat previše, pustite da alat sam radi

SAVETI ZA PRIMENU

- Koristiti odgovarajuće bitseve ⑬
 - **! koristiti samo oštre bitseve**
- Pri bušenju betona i kamena treba vršiti ravnomeran pritisak na burgiju
- Pri bušenju metala
 - prvo izbušiti malu rupu ako Vam je potrebna veća rupa
 - bitseve povremeno namazati uljem
- Bušenje drveta bez listanja ⑭
- Bušenje zidova bez prašine ⑮
- Bušenje plafona bez prašine ⑯
- Bušenje pločica bez proklizavanja ⑰
- Za više saveta pogledajte www.skil.com


ODRŽAVANJE / SERVIS

- Ovaj alat nije namenjen za profesionalnu upotrebu
- Alat i kabl uvek održavajte čistim (posebno otvore za hlađenje J ②)
 - **! pre čišćenja iskopčajte kabl iz utičnice**
- Ako bi alat i pored brižljivog postupka izrade i kontrole nekada otkazao, popravku mora vršiti neki autorizovani servis za SKIL-električne alate
 - pošaljite **nerastavljeni** alat zajedno sa potvrdom o kupovini vašem nabavljaču ili najbližem SKIL servisu (adrese i oznake rezervnih delova možete naći na www.skil.com)

ZAŠTITA OKOLINE

- **Električne alate, pribora i ambalaže ne odlažite u kućne otpatke** (samo za EU-države)
 - prema Evropskoj direktivi 2002/96/EG o staroj električnoj i elektronskoj opremi i njenoj upotrebi u skladu sa nacionalnim pravom, električni alati koji su

istrošeni moraju biti sakupljeni odvojeno i dostavljeni pogonu za reciklažu

- simbol  će vas podsetiti na to

DEKLARACIJA O USKLAĐENOSTI CE

- Izjavljujemo na vlastitu odgovornost da je pod "Tehnički podaci" opisani proizvod usaglašen sa sledećim standardima ili normativnim aktima: EN 60745, EN 61000, EN 55014 prema odredbama smernica 2004/108/EG, 2006/42/EG, 2011/65/EU
- **Tehnička dokumentacija kod:** SKIL Europe BV (PT-SEU/ENG1), 4825 BD Breda, NL

Marijn van der Hoofden
Operations & Engineering

Olaf Dijkgraaf
Approval Manager

SKIL Europe BV, 4825 BD Breda, NL

04.07.2013

BUKA/VIBRACIJE

- Mereno u skladu sa EN 60745 nivo pritiska zvuka ovog alata iznosi 94 dB(A) a jačina zvuka 105 dB(A) (normalno odstupanje: 3 dB), a vibracija * m/s² (mereno metodom na šaci-ruci; nesigurnost K = 1,5 m/s²)
 - * pri bušenju metala 3,0 m/s²
 - * pri udarnom bušenju betona 13,2 m/s²
- Nivo emisije vibracija izmeren je u skladu sa standardizovanim testom datim u EN 60745; on se može koristiti za upoređenje jedne alatke sa drugom, kao i za preliminarnu procenu izloženosti vibracijama pri korišćenju ove alatke za pomenute namene
 - korišćenje alatke u drugačije svrhe ili sa drugačijim ili slabo održanim nastavcima može značajno **povećati** nivo izloženosti
 - vreme kada je alatka isključena ili kada je uključena, ali se njome ne radi, može značajno **smanjiti** nivo izloženosti
- ! **zaštiti se od posledica vibracija održavanjem alatke i njenih nastavaka, održavajući Vaše ruke toplim i organizovanjem Vaših radnih obrazaca**

SLO

Vibracijski vrtalnik

6271/6290

UVOD

- To orodje je namenjeno za udarno vrtnje u opeko, beton in kamnine, kot tudi vrtnju v les, kovino, keramiko in plastiko
- Orodje ni namenjeno profesionalni uporabi
- Preberite in shranite navodila za uporabo ③

TEHNIČNI PODATKI ①

DELI ORODJA ②

- A Vklonno/izklonno stikalo za nadzor hitrosti
- B Gumb za blokiranje stikala

- C Kolo za nastavitvev maksimalne hitrosti
- D Stikalo za preklon smeri vrtnje
- E Stikalo za izbiro načina vrtnja
- F Indikator izbrane funkcije vrtnja
- G Pomožna ročka
- H Merilnik globine
- J Ventilacijske reže

VARNOST

SPLOŠNA VARNOSTNA NAVODILA

⚠ OPOZORILO! Preberite vsa opozorila in napotila. Napake zaradi neupoštevanja spodaj navedenih opozoril in napotil lahko povzročijo električni udar, požar in/ali težke telesne poškodbe. **Vsa opozorila in napotila shranite, ker jih boste v prihodnje še potrebovali.** Pojem "električno orodje", ki se pojavlja v nadaljnjem besedilu, se nanaša na električna orodja z električnim pogonom (z električnim kablom) in na akumulatorska električna orodja (brez električnega kabla).

1) VARNOST NA DELOVNEM MESTU

- a) **Poskrbite, da bo Vaše delovno mesto vedno čisto in urejeno.** Nered ali neosvetljena delovna področja lahko povzročijo nezgode.
- b) **Prosimo, da orodja ne uporabljate v okolju, kjer je nevarnost za eksplozije in v katerem se nahajajo gorljive tekočine, plini in prah.** Električna orodja povzročajo iskre, zato se gorljivi prah ali pare lahko vnamejo.
- c) **Ne dovolite otrokom in drugim osebam, da bi se medtem ko delate, približali električnemu orodju.** Druge osebe lahko odvrnejo Vašo pozornost drugam in izgubili boste nadzor nad orodjem.

2) ELEKTRIČNA VARNOST

- a) **Vtič mora ustrezati električni vtičnici in ga pod nobenim pogojem ne smete spreminjati. Uporaba adaptorskih vtičev v kombinaciji z ozemljenim orodjem ni dovoljena.** Originalni oziroma nespremenjeni vtiči in ustrezne vtičnice zmanjšujejo tveganje električnega udara.
- b) **Izogibajte se telesnemu stiku z ozemljenimi površinami, na primer s cevmi, grelci, štedilniki in hladilniki.** Če je ozemljeno tudi vaše telo, obstaja povečano tveganje električnega udara.
- c) **Zavarujte orodje pred dežjem ali vlago.** Vdor vode v električno orodje povečuje tveganje električnega udara.
- d) **Električnega kabla ne uporabljajte za prenašanje ali obežanje orodja in ne vlecite vtič iz vtičnice tako, da vlečete za kabel. Zavarujte kabel pred vročino, oljem, ostrimi robovi in premikajočimi se deli orodja.** Poškodovani ali prepleteni kabli povečujejo tveganje električnega udara.
- e) **Če z električnim orodjem delate na prostem, uporabljajte izključno kabelski podaljšek, ki je atestiran za delo na prostem.** Uporaba kabelskega podaljška, primerne za delo na prostem, zmanjšuje tveganje električnega udara.
- f) **Če je uporaba električnega orodja v vlažnem okolju neizogibna, uporabljajte prekinjevalec električnega tokokroga.** Prekinjevalca električnega tokokroga zmanjšuje tveganje električnega udara.

3) OSEBNA VARNOST

- a) **Bodite zbrani in pazite, kaj delate. Dela z električnim orodjem se lotite razumno. Nikoli ne uporabljajte orodja, če ste utrujeni in če ste pod vplivom mamil, alkohola ali zdravil.** En sam trenutek nepazljivosti pri uporabi orodja ima lahko za posledico resne telesne poškodbe.
- b) **Uporabljajte osebna zaščitna sredstva in vedno nosite zaščitna očala.** Uporaba osebnih zaščitnih sredstev, na primer maske proti prahu, nedrsečih zaščitnih čevljev, zaščitne čelade in slušnikov, odvisno od vrste in uporabe električnega orodja, zmanjšuje tveganje telesnih poškodb.
- c) **Izogibajte se nenamernemu zagonu. Pred priključitvijo električnega orodja na električno omrežje in/ali na akumulator in pred dviganjem ali nošenjem se prepričajte, če je električno orodje izklopljeno.** Prenašanje naprave s prstom na stikalu ali priključitev vklopljenega električnega orodja na električno omrežje je lahko vzrok za nezgodo.
- d) **Pred vklopom orodja odstranite z nje nastavitvena orodja ali vijačni ključ.** Orodje ali ključ, ki se nahajata na vrtečem se delu električnega orodja, lahko povzročita nezgodo.
- e) **Ne precenjujte se in poskrbite za varno stojišče in stalno ravnotežje.** Tako boste lahko v nepričakovani situaciji bolje obvladali orodje.
- f) **Nosite primerno obleko, ki naj ne bo preohlapna. Ne nosite nakita. Lasje, oblačilo in rokavice naj se ne približujejo premikajočim se delom orodja.** Premikajoči se deli orodja lahko zgrabijo ohlapno obleko, nakit, ali dolge lase.
- g) **Če je možno na orodje namestiti priprave za odsesavanje in prestrezanje prahu, prepričajte se, ali so le-te priključene in, če jih pravilno uporabljate.** Uporaba priprave za odsesavanje prahu zmanjšuje zdravstveno ogroženost zaradi prahu.
- 4) **RAVNANJE IN NEGA ROČNEGA ORODJA**
- a) **Ne preobremenjujte orodja. Za določeno delo uporabljajte električno orodje, ki je predvideno za opravljanje tega dela.** Z ustreznim električnim orodjem boste delo opravili bolj in varneje, ker je bilo v ta namen tudi konstruirano.
- b) **Električno orodje, ki ima pokvarjeno stikalo, ne uporabljajte.** Električno orodje, ki ga ni možno vklopiti ali izklopiti, je nevarno in ga je potrebno popraviti.
- c) **Pred nastavljanjem naprave, zamenjavo delov pribora ali odlaganjem naprave izvelicite vtikač iz električne vtičnice in/ali odstranite akumulator.** Ta previdnostni ukrep onemogoča nepredviden zagon orodja.
- d) **Kadar orodja ne uporabljate ga shranjujte izven dosega otrok. Osebam, ki orodja ne poznajo ali niso prebrale teh navodil, orodja ne dovolite uporabljati.** Električna orodja so nevarna, če jih uporabljajo neizkušene osebe.
- e) **Skrbno negujte orodje. Preverite, če premikajoči se deli orodja delujejo brezhibno in če se ne zatikajo, oziroma, če kakšen del orodja ni zlomljen ali poškodovan do te mere, da bi oviralo njegovo delovanje. Pred nadaljnjo uporabo je potrebno**

poškodovani del popraviti. Vzrok za številne nezgode so ravno slabo vzdrževana električna orodja.

- f) **Rezalna orodja naj bodo ostrina in čista.** Skrbno negovana rezalna orodja z ostrimi rezili se manj zatikajo in so boljje vodljivja.
- g) **Električna orodja, pribor, nastavke in podobno uporabljajte v skladu s temi navodili. Pri tem upoštevajte delovne pogoje in vrsto dela, ki ga nameravate opraviti.** Zaradi uporabe električnega orodja v druge, nepredvidene namene, lahko nastanejo nevarne situacije.

5) SERVIS

- a) **Popravilo orodja lahko opravi samo usposobljena strokovna oseba in to izključno z originalnimi nadomestnimi deli.** Le tako bo ohranjena nadaljnja varnost orodja.

VARNOSTNA NAVODILA ZA VIBRACIJSKE VRTALNIKE

SPLOŠNO

- Orodja naj ne bi uporabljale osebe mlajše od 16 let
- **Vedno izvelicite električni vtikač iz vtičnice preden spreminjate nastavitve ali menjate pribor**
- **Nosite zaščitne slušnike** (vpliv hrupa lahko povzroči izgubo sluha)
- **Uporabljajte dodatne ročaje, ki so priložene orodju** (izguba nadzora nad napravo lahko povzroči poškodbe)
- Uporabljajte povsem iztegnjene in varne električne podaljške, z jakostjo 16 amperov
- **Ne obdelujte materiala, ki vsebuje azbest** (azbest povzroča rakasta obolenja)
- Prah materialov, kot so barve, ki vsebujejo svinec, nekatere vrste lesa, mineralov ali kovin so lahko škodljivi (ob stiku ali vdihavanju lahko prah pri delavcu ali pri drugih prisotnih povzroči alergijsko reakcijo in/ali boleznih dihal); **nosite masko za prah in pri delu uporabljajte napravo za odsesavanje prahu, kjer je le-to možno priključiti**
- Nekateri vrste prahu so klasificirane kot kancerogene (kot npr. prah hrasta in bukvje) še posebno ob sočasni uporabi z dodatki za obdelavo lesa; **nosite masko za prah in pri delu uporabljajte napravo za odsesavanje prahu, kjer je le-to možno priključiti**
- Upoštevajte nacionalne zahteve glede prahu za materiale katere želite obdelovati

PRED UPORABO

- Vedno preverite, če je napetost omrežja enaka napetosti, ki je navedena na tablici orodja (orodje z nazivno napetostjo 230V ali 240V lahko priključite tudi na napetost 220V)
- Izogibajte se poškodb zaradi vijakov, žebeljev ali drugih elementov v obdelovanecu; odstranite jih pred začetkom dela
- **Za iskanje skritih električnih, plinskih in vodovodnih cevi uporabite primerne iskalne naprave (detektorje) ali se posvetujte z lokalnimi podjetji** (stik z električnimi vodniki lahko povzroči požar ali električni udar; poškodbe plinovoda lahko povzročijo eksplozijo, vdor v vodovodno omrežje pa materialno škodo ali električni udar)
- **Zavarujte obdelovanec** (obdelovanec stisnjen v prižemi ali primežu je bolj varen kot v roki)

- Nikoli ne uporabljajte orodja, če je kabel poškodovan; okvaro naj odpravi strokovnjak

PRIBOR

- SKIL zagotavlja brezhibno delovanje orodja le z uporabo originalnega dodatnega pribora
- Uporabljajte lahko dodatni pribor, katerega dovoljena hitrost je najmanj enaka največji hitrosti orodja

MED UPORABO

- Kabel naj bo vedno odmaknjen od gibljivih delov stroja
- Če se sveder pri vrtnanju nepričakovano zagozdi (zaradi nenadnih, nevarnih pritiskov), takoj izključite orodje
- **Pri izvajanju del, kjer je mogoče, da orodje oz. pribor pride v stik s skritimi električnimi vodniki ali celo z lastnim priključnim kablom, držite električno orodje vedno za izolirane dele in ročaje** (stik orodja z vodniki pod napetostjo prenesejo napetost tudi na ostale kovinske dele električnega orodja, kar ima za posledico električni udar na uporabnika)
- Če pride do električnih ali mehanskih okvar, takoj izklopite stroj in izvlecite vtičač iz vtičnice
- Če je priključni kabel poškodovan ali se med delom pretрга se ga ne dotikajte, temveč takoj potegnite električni vtičač iz vtičnice

PO UPORABI

- Ko orodje postavite v stran, izklopite motor in pazite, da se vsi premikajoči se deli orodja popolnoma zaustavijo

UPORABA

- Vkllop/izklop ④
- Aretacija stikala ⑤
- Nastavitev števila vrtljajev za nežnejši start vrtnalnika ⑥
- Nastavitev maksimalne hitrosti ⑦
Z gumbom C se lahko maksimalna hitrost nastavlja od nizke do visoke
 - vklopite orodje
 - aretirajte stikalo
 - vrtite gumb C in izberite maksimalno hitrost
- Menjava smeri vrtenja ⑧
 - v primeru, da preklopnik smeri vrtenja ni v pravilnem položaju ni možno vklopiti stikala A ②
- **! preklop smeri vrtenja izvesti le pri popolnoma mirujočemu orodju**
- Normalno vrtnanje ali vibracijsko vrtnanje ⑨
 - kazalec F prikazuje izbrano funkcijo vrtenja
- **! način delovanja izberite le pri izključenem orodju in ko je vtičač izključen**
- Menjava nastavkov ⑩
 - steblo nastavek potisnite kot je le mogoče globoko v vrtnalno glavo vrtnalnika
- **! ne uporabljajte nastavke s poškodovanim stebлом**
- Nastavitev globine vrtenja ⑪
- Držanje in vodenje orodja ⑫
 - **! med delom vedno držite orodje za sivo obarvano mesto oprijema**
 - vedno uporabljajte stranski ročaj G ② (nastavljiv, kot je ilustrirano)
 - ventilacijske reže J ② morajo biti nepokrite
 - ne pritiskajte na orodje premočno, pustite da orodje sam opravi delo

UPORABNI NASVETI

- Uporabljajte ustrezne nastavke ⑬
 - **! vedno uporabljajte ostre nastavke**
- Pri vrtnanju v beton ali kamen je potreben enakomeren pritisk na vrtnalnik
- Pri vrtnanju v kovine
 - naprej izvrtajte manjšo luknjo, šele nato večjo
 - sveder občasno naoljite
- Vrtnanje v les brez odlomljenih koščkov ⑭
- Vrtnanje v stene z zaščito proti prahu ⑮
- Vrtnanje v strop z zaščito proti prahu ⑯
- Vrtnanje v ploščice brez spodsavanja ⑰
- Za več nasvetov glejte pod www.skil.com

VZDRŽEVANJE/SERVISIRANJE

- Orodje ni namenjeno profesionalni uporabi
- Priključni kabel in orodje naj bosta vedno čista (posebej še prezračevalne odprtine J ②)
 - **! izvlecite vtičač iz vtičnice pred čiščenjem**
- Če bi kljub skrbnim postopkom izdelave in preizkušanja prišlo do izpada delovanja orodja, naj popravilo opravi servisna delavnica, pooblaščen za popravila SKILevih električnih orodij
 - pošljite **nerazstavljeno** orodje skupaj s potrdilom o nakupu pri vašemu prodajalcu v najbližjo SKIL servisno delavnico (naslovi, kot tudi spisek rezervnih delov se nahaja na www.skil.com)

OKOLJE

- **Električnega orodja, pribora in embalaže ne odstranjujte s hišnimi odpadki** (samo za države EU)
 - v skladu z Evropsko direktivo 2002/96/EG o odpadni električni in elektronski opremi in z njenim izvajanjem v nacionalni zakonodaji je treba električna orodja ob koncu njihove življenjske dobe ločeno zbirati in jih predati v postopek okolju prijaznega recikliranja
 - ko je potrebno odstranjevanje, naj vas o načinu spomni simbol ⑱

IZJAVA O SKLADNOSTI CE

- Izjavljamo pod izključno odgovornostjo, da proizvod pod "Tehnični podatki" ustreza naslednjim standardom oz. standardiziranim dokumentom: EN 60745, EN 61000, EN 55014 v skladu z določili direktiv 2004/108/ES, 2006/42/ES, 2011/65/EU
- **Tehnična dokumentacija se nahaja pri:** SKIL Europe BV (PT-SEU/ENG1), 4825 BD Breda, NL

Marijn van der Hoofden Olaf Dijkgraaf
Operations & Engineering Approval Manager



SKIL Europe BV, 4825 BD Breda, NL

04.07.2013

HRUP/VIBRACIJA

- Izmerjeno v skladu s predpisom EN 60745 je raven zvočnega pritiska za to orodje 94 dB(A) in jakosti zvoka 105 dB(A) (standarden odmik: 3 dB), in vibracija * m/s² (metoda dian-roka; netočnost K = 1,5 m/s²)
 - * pri vrtnanju v kovino 3,0 m/s²
 - * pri udarnem vrtnanju v beton 13,2 m/s²
 - Raven oddajanja vibracij je bila izmerjena v skladu s standardiziranimi testi, navedenimi v EN 60745; uporabi jo je mogoče za primerjavo različnih orodij med seboj in za predhodno primerjavo izpostavljenosti vibracijam pri uporabi orodja za namene, ki so omenjeni
 - uporaba orodja za drugačne namene ali uporaba skupaj z drugimi, slabo vzdrževanimi nastavki lahko znatno **poveča** raven izpostavljenosti
 - čas, ko je orodje izklopljeno ali ko teče, vendar z njim ne delamo, lahko znatno **zmanjša** raven izpostavljenosti
- ! pred posledicami vibracij se zaščitite z vzdrževanjem orodja in pripadajočih nastavkov, ter tako, da so vaše roke tople, vaši delovni vzorci pa organizirani**

EST

Löökpuurtrell

6271/6290

SISSEJUHATUS

- Tööriist on ettenähtud tellise, betooni ja kivi löökpuurimiseks ning puidu, metalli, keraamiliste ja plastmaterjalide löögita puurimiseks
- Tööriist pole mõeldud professionaalseks kasutamiseks
- Palun lugege käesolev kasutusjuhend hoolikalt läbi ja hoidke alles ③

TEHNILISED ANDMED ①

SEADME OSAD ②

- A Lülititööriista sisse-/väljalülitamiseks ja kiiruse kontrollimiseks
- B Lülitit lukustusnupp
- C Maksimumkiiruse kontrollregulaator
- D Lülitit pöörlemissuuna muutmiseks
- E Lülitit puurimisfunktsiooni valimiseks
- F Puurimisfunktsiooni näidik
- G Lisakäepide
- H Sügavusmõõdik
- J Ohutusavad

OHUTUS

ÜLDISED OHUTUSJUHISED

⚠ TÄHELEPANU! Kõik ohutusnõuded ja juhised tuleb läbi lugeda. Ohutusnõuete ja juhiste eiramise tagajärjeks võib olla elektrilöökk, tulekahju ja/või rasked vigastused. **Hoidke kõik ohutusnõuded ja juhised edasiseks kasutamiseks hoolikalt alles.** Allpool kasutatud mõiste "elektriline tööriist" käib võrgutoitega (toitejuhtmega) elektriliste tööriistade ja akutoitega (ilma toitejuhtmata) elektriliste tööriistade kohta.

1) OHUTUSNÕUDED TÖÖPIIRKONNAS

- Hoidke töökoht puhas ja korras.** Segadus või valgustamata tööpiirkonnad võivad põhjustada õnnetusi.
- Ärge kasutage seadet plahvatusohtlikus keskkonnas, kus leidub tuleohtlike vedelikke, gaase või tolm.** Elektrilistest tööriistadest lööb sädemeid, mis võivad tolmule või aurud süüdata.
- Kui kasutate elektrilist tööriista, hoidke lapsed ja teised isikud töökohast eemal.** Kui Teie tähelepanu kõrvale juhitakse, võib seade Teie kontrolli alt väljuda.

2) ELEKTRIOHUTUS

- Seadme pistik peab pistikupessa sobima. Pistiku kallal ei tohi teha mingeid muudatusi. Ärge kasutage kaitsemaandusega seadmete puhul adapterpistikuid.** Muutmata pistikud ja sobivad pistikupesad vähendavad elektrilöögi saamise riski.
- Vältige kehakontakti maandatud pindadega, nagu torud, radiaatorid, pliigid ja külmikud.** Kui Teie keha on maandatud, on elektrilöögi risk suurem.
- Hoidke seadet vihma ja niiskuse eest.** Kui elektriseadmesse on sattunud vett, on elektrilöögi saamise risk suurem.
- Ärge kasutage toitejuhet selleks mitte ettenähtud otstarbel seadme kandmiseks, ülesriputamiseks ega pistiku pistikupesast väljatõmbamiseks. Hoidke toitejuhet kuumuse, õli, teravate servade ja seadme liikuvate osade eest.** Kahjustatud või keeruldulainud toitejuhtmed suurendavad elektrilöögi saamise riski.
- Kui töötate elektrilise tööriistaga vabas õhus, kasutage ainult selliseid pikendusjuhtmeid, mida on lubatud kasutada ka välistingimustes.** Välistingimustes kasutamiseks sobiva pikendusjuhtme kasutamine vähendab elektrilöögi saamise riski.
- Kui elektrilise tööriista kasutamine niiskes keskkonnas on vältimatu, kasutage maandusega lekkevoolukaitset.** Maandusega lekkevoolukaitse kasutamine vähendab elektrilöögi ohtu.

3) INIMESTE TURVALISUS

- Olge tähelepanelik, jälgige, mida Te teete, ning toimige elektrilise tööriistaga töötades mõistlikult. Ärge kasutage seadet, kui olete väsinud või uimastite, alkoholi või ravimite mõju all.** Hetkeline tähelepanematus seadme kasutamisel võib põhjustada tõsiseid vigastusi.
- Kandke isikukaitsevahendeid ja alati kaitseprille.** Isikukaitsevahendid, nagu tolmumask, libisemiskindlad turvajalatsid, kaitsekiiver või kuulmiskaitsevahendid, kandmine – sõltuvalt elektrilise tööriista tüübist ja kasutusala – vähendab vigastuste riski.
- Vältige seadme tahtmatut käivitamist. Enne pistiku ühendamist pistikupessa, aku ühendamist seadme külge, seadme ülestõstmist ja kandmist veenduge, et elektriline tööriist on välja lülitatud.** Kui hoiate elektrilise tööriista kandmisel sõrme lülitil või ühendate vooluvõrku sisselülitatud seadme, võivad tagajärjeks olla õnnetused.
- Enne seadme sisselülitamist eemaldage selle külgest reguleerimis- ja mutrivõtmed.** Seadme pöörleva osa küljes olev reguleerimis- või mutrivõti võib põhjustada vigastusi.
- Ärge hinnake end üle. Võtke stabiilne töösensend ja hoidke kogu aeg tasakaalu.** Nii saate seadet ootamatutes olukordades paremini kontrollida.

- f) **Kandke sobivat rõivastust. Ärge kandke laiu riideid ega ehteid. Hoidke juuksed, rõivad ja kindad seadme liikuvatest osadest eemal.** Lotendavad riided, ehted või pikad juuksed võivad sattuda seadme liikuvate osade vahele.
- g) **Kui on võimalik paigaldada tolmueemaldus- ja tolmukogumisseediseid/seadmeid, veenduge, et need oleksid seadmega ühendatud ja et neid kasutatakse õigesti.** Tolmueemaldusseadise kasutamine vähendab tolmust põhjustatud ohte.
- 4) ELEKTRILISTE TÖÖRIISTADE HOOLIKAS KÄSITSEMINE JA KASUTAMINE**
- a) **Ärge koormake seadet üle. Kasutage töö tegemiseks selleks ettenähtud elektrilist tööriista.** Sobiva elektrilise tööriistaga töötate paremini ja turvalisemalt ettenähtud võimsusvahemikus.
- b) **Ärge kasutage elektrilist tööriista, mille lüliti on rikkis.** Elektriline tööriist, mida ei ole enam võimalik sisse ja välja lülitada, on ohtlik ning seda tuleb remontida.
- c) **Tõmmake pistik pistikupesast välja ja/või eemaldage seadmest aku enne seadme reguleerimist, tarvikute vahetamist ja seadme ärapanekut.** See ettevaatusabinõu väldib seadme tahtmatut käivitamist.
- d) **Kasutusvälisel ajal hoidke elektrilisi tööriistu lastele kättesaamatult. Ärge laske seadet kasutada isikutel, kes seda ei tunne või pole siintoodud juhiseid lugenud.** Kogenematute kasutajate käes kujutavad elektrilised tööriistad ohtu.
- e) **Hoolitsege seadme eest. Kontrollige, kas seadme liikuvad osad funktsioneerivad korralikult ja ei kiildu kinni, ning ega mõned osad ei ole katki või sel määral kahjustatud, et võiksid mõjutada seadme töökindlust. Laske kahjustatud osad enne seadme kasutamist parandada.** Paljude õnnetuste põhjuseks on halvasti hooldatud elektrilised tööriistad.
- f) **Hoidke lõiketarvikud teravad ja puhtad.** Hoolikalt hoitud, teravate lõikeservadega lõiketarvikud kiilduvad harvemini kinni ja neid on lihtsam juhtida.
- g) **Kasutage elektrilist tööriista, lisavarustust, tarvikuid jne vastavalt siintoodud juhistele. Arvestage seejuures töötingimuste ja teostatava töö iseloomuga.** Elektriliste tööriistade kasutamine mitte ettenähtud otstarbel võib põhjustada ohtlikke olukordi.
- 5) TEENINDUS**
- a) **Laske seadme parandada ainult kvalifitseeritud spetsialistidel ja ainult originaalvaruosadega.** Nii tagate seadme püsimise turvalisena.

TÖÖOHUTUS LÖÖKPUURTRELLIDE OSAS

ÜLDIST

- Tööriista kasutaja peab olema vähemalt 16 aastat vana
- Enne seadme reguleerimist või tarviku vahetust eemaldage seade vooluvõrgust (tõmmake pistik pistikupesast välja)
- Kandke kuulmiskaitsevahendeid (müra võib kahjustada kuulmist)
- Kasutage seadme tarnekomplekti kuuluvaid lisakäepidemeid (kontrolli kaotus seadme üle võib põhjustada vigastusi)
- Pikendusjuhtmete kasutamisel jälgige, et juhe oleks lõpuni lahti keritud ja vastaks 16 A voolutugevusele

- **Asbestisisaldava materjali töötlemine on keelatud** (asbest võib tekitada vähki)
- Värviga kaetud juhtmed, mõned puiduliigid, mineraalid ja metall eraldavad tolm, mis võib olla kahjulik (kokkupuude tolmuga või selle sissehingamine võib seadme kasutajal või läheduses viibival inimesel põhjustada allergilisi reaktsioone ja/või hingamisteede haigusi); **kandke tolmumaski ja vajaduse korral töötage külgeühendatava tolmueemaldusseadmega**
- Teatud tüüpi tolm on klassifitseeritud kantserogeensena (nt tammest ja kasest eralduv tolm), eriti koos puidu niiskuse reguleerimiseks kasutatavate lisanditega; **kandke tolmumaski ja vajaduse korral töötage külgeühendatava tolmueemaldusseadmega**
- Erinevate materjalide töötlemisel tekkinud tolmu käitlemisel tuleb järgida kehtivaid nõudeid

ENNE KASUTAMIST

- Kontrollige alati, kas võrgupinge ühtib tööriista andesildil toodud pingega (andesildil toodud 230V või 240V korral võib tööriistad kasutada ka 220V võrgupinge puhul)
- Vältige töödeldavas esemes olevatest kruvidest, naeltest vms põhjustatud kahjustusi; eemaldage need enne töö alustamist
- **Varjatult paiknevate elektrijuhtmete, gaasi- või veetorude avastamiseks kasutage sobivaid otsimisseadmeid või pöörduge kohaliku elektri-, gaasi- või vee-ettevõtte poole** (kokkupuutel elektrijuhtmetega tulekahju- ja elektrilöögioht; gaasitorustiku vigastamisel plahvatusoht; veetorustiku vigastamisel materiaalne kahju või elektrilöögioht)
- **Fikseerige toorik** (fiksaatoriga kinnitatud või kruustangide vahele pandud toorik püsib kindlamini paigal kui lihtsalt käega hoides)
- Ärge kunagi kasutage kahjustatud toitejuhtmega tööriista; laske toitejuhe remonditöökojas välja vahetada

TARVIKUD

- SKIL tagab seadme häireteta töö üksnes originaaltarvikute kasutamisel
- Kasutage vaid neid tarvikuid, mille lubatud pöörete arv on vähemalt sama suur nagu maksimaalsed tühikäigupöörded

KASUTAMISE AJAL

- Vältige toitejuhtme kokkupuutumist seadme pöörlevate osadega
- Kui puur ootamatult blokeerub (põhjustades järsu, ohtliku reaktsiooni), lülitage seade koheselt välja
- **Kui on oht, et tarvik võib puutuda kokku varjatud elektrijuhtme või seadme enda toitejuhtmega, tuleb elektrilist tööriista hoida ainult isoleeritud käepidemetest** (kokkupuude pingele all oleva juhtmega võib tekitada pinge seadme metallosades ja põhjustada elektrilöögi)
- Seadme elektrilise või mehhaanilise häire korral lülitage seade viivitamatult välja ja eemaldage pistik vooluvõrgust
- Kui toitejuhe saab töötamise ajal kahjustada või see lõigatakse läbi, ärge toitejuhet puutuge, vaid eemaldage koheselt pistik vooluvõrgust

PÄRAST KASUTAMIST

- Enne tööriista juurest lahkimist lülitage see välja ning oodake, kuni selle liikuvad osad on täielikult seiskunud

KASUTAMINE

- Sisse/välja ④
- Lülitamine pidevaks tööks ⑤
- Pöörete arvu reguleerimine sujuvaks käivituseks ⑥
- Maksimumkiiruse kontroll ⑦
 - Ratta C abil saab maksimumkiirust reguleerida
 - lülitage seade sisse
 - lukustage lüliti
 - valige ratta C abil maksimumkiirus
- Pöörlemissuuna ümberlülitamine ⑧
 - kui lüliti ei ole korralikult fikseerunud vasakus/paremas asendis, ei ole võimalik töölülitile A ② vajutada
 - ! pöörlemissuunda tohib muuta üksnes siis, kui seade on täielikult seiskunud**
- Tavaline puurimine või löökpuurimine ⑨
 - näidik F näitab valitud puurimisfunktsiooni
 - ! puurimisfunktsiooni tohib muuta üksnes siis, kui seade on välja lülitatud ja pistik on vooluvõrgust eemaldatud**
- Otsakute vahetamine ⑩
 - lükake otsak võimalikult sügavale padrunisse
 - ! ärge kasutage kahjustatud varrega otsakuid**
- Puurimisülgavuse reguleerimine ⑪
- Tööriista hoidmine ja juhtimine ⑫
 - ! töötamise ajal hoidke tööriista kinni korpuse ja käepideme halli värvi osadest**
 - hoidke tööriista alati külgkäepidemest G ② (reguleeritav vastavalt joonisele)
 - hoidke õhutusavad J ② kinnikatmata
 - ärge suruge tööriistale liigselt; laske sellel enda heaks töötada

TÖÖJUHISED

- Kasutage sobivaid otsakuid ⑬
 - ! kasutage üksnes teravaid otsakuid**
- Betooni või kivi puurimine on vajalik pideva surve avaldamine trellile
- Metall puurimisel
 - kui vajate suuremat auku, puurige algul ette väike auk
 - määrige otsakuid aeg-ajalt õliga
- Puidu puurimine puitu kahjustamata ⑭
- Müüritise puurimine tolmu tekitamata ⑮
- Lagede puurimine tolmu tekitamata ⑯
- Keraamiliste plaatide puurimine, ilma et puur libiseks ⑰
- Rohkem nõuandeid leiate aadressil www.skil.com

HOOLDUS/TEENINDUS

- Tööriist pole mõeldud professionaalseks kasutamiseks
- Hoidke seade ja toitejuhe alati puhtad (eriti õhutusavad J ②)
 - ! enne puhastamist eemaldage seade vooluvõrgust**
- Tööriist on hoolikalt valmistatud ja testitud; kui tööriist sellest hoolimata rikki läheb, tuleb see lasta parandada SKILi elektriliste käsitööriistade volitatud remonditöökojas
 - toimetage **lahtimonteerimata** seade koos ostukviitungiga tarnijale või lähimasse SKILi lepingulisse töökohta (aadressid ja tööriista varuosade joonise leiate aadressil www.skil.com)

KESKKOND

- **Ärge visake kasutuskoõlmatuks muutunud elektrilisi tööriistu, lisatarvikuid ja pakendeid ära koos olmejäätmetega** (üksnes EL liikmesriikidele)
 - vastavalt Euroopa Parlamendi ja nõukogu direktiivile 2002/96/EÜ elektri- ja elektroonikaseadmete jäätmete kohta ning direktiivi nõuete kohaldamisele liikmesriikides tuleb kasutuskoõlmatuks muutunud elektrilised tööriistad koguda eraldi ja keskkonnasäästlikult korduvkasutada või ringlusse võtta
 - seda meenutab Teile sümbol ⑱

VASTAVUSDEKLARATSIOON CE

- Kinnitame ainuvastutajana, et punktis "Tehnilised andmed" kirjeldatud toode vastab järgmistele standarditele või normdokumentidele: EN 60745, EN 61000, EN 55014 vastavalt direktiivide 2004/108/EÜ, 2006/42/EÜ, 2011/65/EL
- **Tehniline toimik saadaval aadressil:** SKIL Europe BV (PT-SEU/ENG1), 4825 BD Breda, NL

Marijn van der Hoofden Olaf Dijkgraaf
Operations & Engineering Approval Manager

SKIL Europe BV, 4825 BD Breda, NL

04.07.2013

MÜRA/VIBRATSIOON

- Vastavalt kooskoõlas normiga EN 60745 läbi viidud mõõtmistele on tööriista helirõhk 94 dB(A) ja helitugevus 105 dB(A) (standardkõrvalekalle: 3 dB), ja vibratsioon * m/s² (käte-randme-meetod; mõõtemääramatus K = 1,5 m/s²)
 - * metalli puurimisel 3,0 m/s²
 - * betooni löökpuurimisel 13,2 m/s²
- Tekkiva vibratsiooni tase on mõõdetud vastavalt standardis EN 60745 kirjeldatud standarditud testile; seda võib kasutada tööriistade võrdlemiseks ja tööriista kasutamisel ettenähtud töödeks esineva vibratsiooni esialgseks hindamiseks
 - tööriista kasutamisel muudeks rakendusteks või teiste/ halvasti hooldatud tarvikute kasutamisel võib vibratsioon märkimisväärselt **suureneda**
 - ajal, kui tööriist on väljalülitatud või on küll sisselülitatud, kuid tegelikult seda ei kasutata, võib vibratsioon märkimisväärselt **väheneda**
- ! enda kaitsmiseks vibratsiooni eest hooldage tööriista ja selle tarvikuid korralikult, hoidke oma käed soojad ja tagage sujuv töökorraldus**

Triecienurbjmašina

6271/6290

IEVADS

- Šis instruments ir paredzēts triecienurbšanai mūrī, betonā un akmenī, kā arī rotācijas urbšanai kokā, metālā, keramikas izstrādājumos un plastmasā
- Šis instruments nav paredzēts profesionālai lietošanai
- Izlasiet un saglabājiet šo pamācību ③

TEHNISKIE PARAMETRI ①

INSTRUMENTA ELEMENTI ②

- A Ieslēdzējs un griešanās ātruma regulators
- B Poga ieslēdzēja fiksēšanai
- C Pirkstrats maksimālā griešanās ātruma priekšiestādīšanai
- D Griešanās virziena pārslēdzējs
- E Urbšanas funkciju pārslēdzējs
- F Indikators, kas norāda izvēlēto urbšanas funkciju
- G Papildrokturis
- H Dziļuma mērinstruments
- J Ventilācijas atveres

DROŠĪBA

VISPĀRĒJIE DARBA DROŠĪBAS NOTEIKUMI

⚠ UZMANĪBU! Rūpīgi izlasiet visus drošības noteikumus. Šeit sniegto drošības noteikumu un norādījumu neievērošana var izraisīt aizdegšanos un būt par cēloni elektriskajam triecienam vai nopietnam savainojumam. **Pēc izlasīšanas uzglabājiet šos noteikumus turpmākai izmantošanai.** Turpmākajā izklāstā lietotais apzīmējums "elektroinstrumenti" attiecas gan uz tīkla elektroinstrumentiem (ar elektrokabeli), gan arī uz akumulatora elektroinstrumentiem (bez elektrokabeļa).

1) DROŠĪBA DARBA VIETĀ

- a) **Seko** jiet, lai darba vieta būtu tīra un sakārtota. Nekārtīgā darba vietā vai sliktā apgaismojumā var viegli notikt nelaimes gadījums.
- b) **Nelietojiet** elektroinstrumentu eksplozīvu vai ugunsnedrošu vielu tuvumā un vietās ar paaugstinātu gāzes vai putekļu saturu gaisā. Darba laikā instruments nedaudz dzirksteļo, un tas var izsautīt viegli degošu putekļu vai tvaiku aizdegšanos.
- c) **Lietojot** elektroinstrumentu, **neļaujiet** nepiederošām personām un jo īpaši bērniem tuvoties darba vietai. Citu personu klātbūtnē var novērst uzmanību, un tā rezultātā jūs varat zaudēt kontroli pār instrumentu.

2) ELEKTRODROŠĪBA

- a) Elektroinstrumenta kontaktdakšai jābūt piemērotai elektrotīkla kontaktlīdžai. Kontaktdakšas konstrukciju nedrīkst nekādā veidā mainīt. **Nelietojiet** kontaktdakšas salāgotājus, ja elektroinstruments caur kabeli tiek savienots ar aizsargzēmējuma ķēdi. Neizmainītas konstrukcijas

kontaktdakša, kas piemērota kontaktlīdžai, ļauj samazināt elektriskā trieciena saņemšanas risku.

- b) **Darba laikā nepieskarieties** **sazemētiem priekšmetiem, piemēram, caurulēm, radiatoriem, plītiņiem vai ledusskapjiem.** Pieskaroties sazemētiem virsmām, pieaug risks saņemt elektrisko triecienu.
- c) **Nelietojiet elektroinstrumentu lietus laikā, neturiet to mitrumā.** Mitrumam iekļūstot instrumentā, pieaug risks saņemt elektrisko triecienu.
- d) **Nenesiet un nepiekariet elektroinstrumentu aiz elektrokabeļa. Neraujiet aiz kabeļa, ja vēlaties atvienot instrumentu no elektrotīkla kontaktlīdžas. Sargājiet elektrokabeli no karstuma, eļļas, asām šķautnēm un instrumenta kustīgajām daļām.** Bojāts vai samzgojies elektrokabelis var būt par cēloni elektriskajam triecienam.
- e) **Darbinot elektroinstrumentu ārpus telpām, izmantojiet tā pievienošanai vienīgi tādus pagarinātājkabeļus, kuru lietošana ārpus telpām ir atļauta.** Lietojot elektrokabeli, kas piemērots darbam ārpus telpām, samazinās risks saņemt elektrisko triecienu.
- f) **Ja elektroinstrumentu tomēr nepieciešams lietot vietās ar paaugstinātu mitrumu, izmantojiet tā pievienošanai noplūdes strāvas aizsargreleju.** Lietojot noplūdes strāvas aizsargreleju, samazinās risks saņemt elektrisko triecienu.

3) PERSONISKĀ DROŠĪBA

- a) **Darba laikā saglabājiet paškontroli un rīkojieties saskaņā ar veselo saprātu. Pārtrauciet darbu, ja jūtaties noguris vai atrodaties alkohola, narkotiku vai medikamentu izraisītā reibumā.** Strādājot ar elektroinstrumentu, pat viens neuzmanības mirklis var būt par cēloni nopietnam savainojumam.
- b) **Izmantojiet individuālos darba aizsardzības līdzekļus un darba laikā vienmēr nēsājiet aizsargbrilles.** Individuālo darba aizsardzības līdzekļu (putekļu maskas, neslidošu apavu un aizsargķiveres vai ausu aizsargu) pielietošana atbilstoši elektroinstrumenta tipam un veicamā darba raksturam ļauj izvairīties no savainojumiem.
- c) **Nepieļaujiet elektroinstrumenta patvaļīgu ieslēgšanos. Pirms elektroinstrumenta pievienošanas elektrotīklam, akumulatora ievietošanas vai izņemšanas, kā arī pirms elektroinstrumenta pārņemšanas pārliecinieties, ka tas ir izslēgts.** Pārnesot elektroinstrumentu, ja pirksts atrodas uz ieslēdzēja, kā arī pievienojot to elektrobarošanas avotam laikā, kad elektroinstruments ir ieslēgts, var viegli notikt nelaimes gadījums.
- d) **Pirms instrumenta ieslēgšanas neaizmirstiet izņemt no tā regulējošos instrumentus vai skrūvjatslēgas.** Patronatslēga vai skrūvjatslēga, kas instrumenta ieslēgšanas brīdī nav izņemta no tā, var radīt savainojumu.
- e) **Strādājot ar elektroinstrumentu, ieturiet stingru stāju. Darba laikā vienmēr saglabājiet līdzsvaru un centieties nepaslidēt.** Tas atvieglos instrumenta vadību neparedzētās situācijās.
- f) **Izvēlieties darbam piemērotu apģērbu. Darba laikā nenēsājiet brīvi plandošas drēbes un rotaslietas. Netuviniet matus, apģērbu un aizsargcimdus**

- Veicot darbu apstākļos, kad darbinstruments var skart slēptu elektropārvades līniju vai paša instrumenta elektrokabeli, turiet instrumentu tikai aiz izolētajiem rokturiem (darbinstrumentam skarot spriegumu nesošus vadus, šis spriegums nonāk arī uz instrumenta strāvu vadošajām daļām un var būt par cēloni elektriskajam triecienam)
- Elektriska vai mehāniska rakstura kļūmes gadījumā nekavējoties izslēdziet instrumentu un atvienojiet kabeļa kontaktdakšu no elektrotīkla
- Ja darba laikā tiek pārgriezts vai citādi mehāniski bojāts instrumenta elektrokabelis, nepieskarieties tam, bet nekavējoties atvienojiet elektrokabeļa kontaktdakšu no barojošā elektrotīkla

PĒC DARBA PABEIGŠANAS

- Pirms instrumenta novietošanas izslēdziet tā elektrodzinēju un nogaidiet, līdz ir pilnīgi apstājušās visas instrumenta kustīgās daļas

DARBS

- Ieslēgšana/izslēgšana ④
- Instrumenta ieslēgšana ilgstošai darbībai, fiksējot tā ieslēdzēju ⑤
- Darbvārpstas griešanās ātruma bezpakāpju regulēšana ⑥
- Maksimālā darbvārpstas griešanās ātruma priekšiestādīšana ⑦
Ar pirkstrata C palīdzību maksimālo darbvārpstas griešanās ātrumu iespējams regulēt no nelielas vērtības līdz lielākai
 - ieslēdziet instrumentu
 - nofiksējiet ieslēdzēju
 - griežot pirkstratu C, iestādiat vēlamo maksimālo griešanās ātrumu

- Griešanās virziena pārslēgšana ⑧
 - ja darbvārpstas griešanās virziena pārslēdzējs nav precīzi iestādīts galējā labējā/kreisajā stāvoklī, ieslēdzēju A ② nav iespējams nospiest

! pārslēdziet darbvārpstas griešanās virzienu tikai tad, kad instruments ir pilnībā apstājies

- Parastā urbšana vai triecienurbšana ⑨
 - indikators F norāda izvēlēto urbšanas funkciju**! urbšanas funkciju pārslēgšanas brīdī instrumentam obligāti jābūt izslēgtam un elektrokabeļa kontaktdakša jābūt atvienotai no elektrotīkla**

- Darbinstrumentu nomaina ⑩
 - ievietojiet darbinstrumenta kātu urbpatronā pēc iespējas dziļāk**! neizmantojiet darbinstrumentus ar bojātu kātu**

- Urbšanas dziļuma iestādīšana ⑪
- Instrumenta turēšana un vadīšana ⑫
 - ! darba laikā vienmēr turiet instrumentu aiz pelēkās krāsas noturvirsmas(ām)**
 - vienmēr izmantojiet papildrokturi G ② (tā stāvoklis ir regulējams, kā parādīts attēlā)
 - nenosprostojiet instrumenta ventilācijas atveres J ②
 - darba laikā pārlieku nespiediet instrumentu; ļaujiet tam darboties nominālā režīmā

PRAKTISKI PADOMI

- Lietojiet tikai tādus darbinstrumentus, kuru tips atbilst apstrādājamajam materiālam ⑬
 - ! lietojiet tikai asus darbinstrumentus**
- Veicot urbšanu betonā vai akmeņi, ieturiet pastāvīgu spiedienu uz instrumentu
- Melno metālu urbšana
 - ja nepieciešams izveidot liela diametra urbumu, vispirms ieurbiet mazāka izmēra atvērumu
 - laiku pa laikam ieeļļojiet urbi
- Urbumu veidošana koksnē bez apstrādājamā materiāla plaisāšanas ⑭
- Urbumu veidošana sienās, vienlaicīgi savācot urbšanas rezultātā radušos grūzus ⑮
- Urbumu veidošana griestos, vienlaicīgi savācot urbšanas rezultātā radušos grūzus ⑯
- Urbumu veidošana flīzēs, nepieļaujot to plaisāšanu ⑰
- Papildu ieteikumi ir sniegti datortīkla vietnē www.skil.com

APKALPOŠANA / APKOPE

- Šis darbarīks nav paredzēts profesionālai lietošanai
- Uzturiet tīru instrumentu un elektrokabeli (īpaši ventilācijas atveres J ②)
 - ! pirms instrumenta tīrīšanas atvienojiet to no elektrotīkla**
- Ja, neraugoties uz augsto izgatavošanas kvalitāti un rūpīgo pērcēražošanas pārbaudi, instruments tomēr sabojājas, tas jānogādā remontam firmas SKIL pilnvarotā elektroinstrumentu remonta darbnīcā
 - nogādājiet instrumentu **neizjauktā veidā** kopā ar iegādes dokumentiem tuvākajā tirdzniecības vietā vai firmas SKIL pilnvarotā pēciegādes apkalpošanas un remonta iestādē (adreses un instrumenta apkalpošanas shēma ir sniegta interneta vietnē www.skil.com)

APKĀRTĒJĀS VIDES AIZSARDZĪBA

- Neizmetiet elektroiekārtas, piederumus un iesaiņojuma materiālus sadzīves atkritumos (tikai ES valstīm)
 - saskaņā ar Eiropas Savienības direktīvu 2002/96/ES par nolietotajām elektriskajām un elektroniskajām iekārtām un tās atspoguļojumiem nacionālajā likumdošanā, nolietotās elektroiekārtas ir jāsavāc, jāizjauc un jānogādā atreizējai pārstrādei apkārtējai videi nekaitīgā veidā
 - īpašs simbols ⑱ atgādina par nepieciešamību izstrādājumus izlietot videi nekaitīgā veidā

ATBILSTĪBAS DEKLARĀCIJA CE

- Mēs ar pilnu atbildību paziņojam, ka sadaļā "Tehniskie parametri" aprakstītais izstrādājums atbilst šādiem standartiem vai normatīvajiem dokumentiem: EN 60745, EN 61000, EN 55014, kā arī direktīvām 2004/108/EK, 2006/42/EK, 2011/65/ES

- **Tehniskā dokumentācija no:** SKIL Europe BV (PT-SEU/ENG1), 4825 BD Breda, NL

Marijn van der Hoofden Olaf Dijkgraaf
Operations & Engineering Approval Manager

SKIL Europe BV, 4825 BD Breda, NL

04.07.2013

TROKSNIS/VIBRĀCIJA

- Saskaņā ar standartu EN 60745 noteiktais instrumenta radītā trokšņa skaņas spiediena līmenis ir 94 dB(A) un skaņas jaudas līmenis ir 105 dB(A) (pie tipiskās izkliedes 3 dB), un vibrācijas paātrinājums ir * m/s² (roku-delnu metode; izkliede K = 1,5 m/s²)
 - * veicot urbšanu metālā 3,0 m/s²
 - * veicot triecienurbšanu betonā 13,2 m/s²
 - Vibrācijas līmenis ir noteikts, izmantojot standartā EN 60745 paredzēto procedūru; to var izmantot, lai salīdzinātu instrumentus un provizoriski izvērtētu vibrācijas iedarbību, lietojot instrumentu minētajiem mērķiem
 - instrumenta izmantošana citiem mērķiem vai ar citiem vai nepietiekami koptiem piederumiem var ievērojami palielināt kopējo vibrācijas iedarbības pakāpi
 - laika periodi, kad instruments ir izslēgts vai arī ir ieslēgts, taču darbs ar to nenotiek, var ievērojami samazināt kopējo vibrācijas iedarbības pakāpi
- ! pasargājiet sevi no vibrācijas iedarbības, veicot instrumenta un tā piederumu tehnisko apkopi, novēršot roku atdzīšanu un pareizi organizējot darbu**

LT

Smūginis grēztuvas 6271/6290

ĪVADAS

- Šis īrānis skirts smūginai plytu, betona ir akmens grēžimui, o taip pat medienai, metalui, keramikai bei plastmasei grēžti be smūgio
- Šis prietaiss neskirts profesionaliam naudojimui
- Perskaitykite ir išsaugokite šią naudojimo instrukciją ③

TECHNINIAI DUOMENYS ①

PRIETAISO ELEMENTAI ②

- A Jungiklis įjungimui/išjungimui ir greičiui valdyti
- B Jungiklio fiksatorius
- C Ratukas maksimalių sukčių reguliavimui
- D Sukimosi krypties perjungiklis
- E Gręžimo funkcijos perjungiklis
- F Indikatorius, nurodantis pasirinktą gręžimo funkcijos
- G Pagalbinė rankena
- H Gylio ribotuvas
- J Ventiliacinės angos

SAUGA

BENDROSIOS DARBO SAUGOS INSTRUKCIJOS

⚠ DĒMESIO! Perskaitykite visas šias saugos nuorodas ir reikalavimus. Jei nepaisysite žemiau pateiktų saugos nuorodų ir reikalavimų, gali trenkti elektros smūgis, kilti gaisras ir/arba galite sunkiai susižaloti arba sužaloti kitus asmenis. **Išsaugokite šias saugos nuorodas ir reikalavimus, kad ir ateityje galėtumėte jais pasinaudoti.** Toliau pateiktame tekste vartojama sąvoka "elektrinis įrankis" apibūdina įrankius, maitinamus iš elektros tinklo (su maitinimo laidu), ir akumulatorinius įrankius (be maitinimo laido).

1) DARBO VIETOS SAUGUMAS

- a) **Darbo vieta turi būti švari ir tvarkinga.** Tinkama ar blogai apšviesta darbo vieta gali tapti nelaimingų atsitikimų priežastimi.
- b) **Nedirbkite tokioje aplinkoje, kur yra degių skysčių, dujų ar dulkių.** Elektriniai įrankiai gali kibirkščiuoti, o nuo kibirkščių dulkes arba susikaupę garai gali užsidegti.
- c) **Dirbdami su elektriniu įrankiu neleiskite šalia būti žiūrovams, vaikams ir lankytojams.** Nukreipę dėmesį į kitus asmenis galite nebesuvaldyti prietaiso.

2) ELEKTROSAUGA

- a) **Maitinimo laido kištukas turi atitikti tinklo rozetės tipą. Kištuko jokių būdu negalima modifikuoti. Nenaudokite jokių kištuko adapterių su žemintais prietaisais.** Originalūs kištukai, tiksliai tinkantys elektros tinklo rozetei, sumažina elektros smūgio pavojų.
 - b) **Venkite kūno kontakto su žemintais paviršiais, tokiais kaip vamzdžiai, šildytuvai, viryklės ar šaldytuvai.** Egzistuoja padidinta elektros smūgio rizika, jei Jūsų kūnas bus žemintas.
 - c) **Saugokite prietaisą nuo lietaus ir drėgmės.** Jei vanduo patenka į elektrinį prietaisą, padidėja elektros smūgio rizika.
 - d) **Nenaudokite maitinimo laido ne pagal paskirtį, t. y. neneškite prietaiso paėmę už laido, nekabinkite prietaiso už laido, netraukite už jo, norėdami išjungti kištuką iš rozetės. Laidą klokite taip, kad jo neveiktų karštis, jis neišsitemptų alyva ir jo nepažeistų aštrios detalės ar judančios prietaiso dalys.** Pažeisti arba susipynę laidai gali tapti elektros smūgio priežastimi.
 - e) **Jeigu su elektriniu įrankiu dirbate lauke, naudokite tik tokius ilginimo kabelius, kurie tinka lauko darbams.** Naudojant lauko darbams pritaikytus ilginimo kabelius, sumažinamas elektros smūgio pavojus.
 - f) **Jeigu su elektriniu įrankiu neišvengiamai reikia dirbti drėgnoje aplinkoje, naudokite žemimo grandinės pertraukiklį.** Naudojant žemimo grandinės pertraukiklį, sumažėja elektros smūgio pavojus.
- ### 3) ŽMONIŲ SAUGA
- a) **Būkite atidūs, sutelkite dėmesį į tai, ką Jūs darote ir, dirbdami su elektriniu įrankiu, vadovaukitės sveiku protu. Nedirbkite su prietaisu, jei esate pavargę arba vartojote narkotikus, alkoholį ar medikamentus.** Akimirksniu neatidumas naudojant prietaisą gali tapti rimtu sužalojimų priežastimi.
 - b) **Naudokite asmenines apsaugos priemones ir visuomet užsidėkite apsauginius akinius.** Naudojant asmenines apsaugos priemones, pvz., respiratorių ar

apsauginę kaukę, nelystančius batus, apsauginį šalną, klausos apsaugos priemonės ir kt., rekomenduojamas dirbant su tam tikros rūšies įrankiais, sumažėja rizika susižeisti.

- c) **Saugokitės, kad neįjungtumėte prietaiso atsitiktinai. Prieš prijungdami elektrinį įrankį prie elektros tinklo ir/arba akumulatoriaus, prieš pakeldami ar nešdami įsitikinkite, kad jis yra išjungtas.** Jeigu nešdami elektrinį įrankį pirštą laikysite ant jungiklio arba prietaisą įjungsitės į elektros tinklą, kai jungiklis yra įjungtas, gali įvykti nelaimingas atsitikimas.
- d) **Prieš įjungdami prietaisą pašalinkite reguliavimo įrankius arba veržlių raktus.** Prietaiso besisukančioje dalyje esantis įrankis ar raktas gali tapti sužalojimų priežastimi.
- e) **Nepervertinkite savo galimybių. Dirbdami atsistokite patikimai ir visada išlaikykite pusiausvyrą.** Patikima stovėseną ir tinkamą kūno laikysena leis geriau kontroliuoti prietaisą netikėtose situacijose.
- f) **Dėvėkite tinkamą aprangą. Nedėvėkite plačių drabužių ir papuošalų. Saugokite plaukus, drabužių ir pirštines nuo besisukančių prietaiso dalių.** Laisvus drabužius, papuošalus bei ilgus plaukus gali įtraukti besisukančios dalys.
- g) **Jei yra numatyta galimybė prijungti dulkių nusiurbimo ar surinkimo įrenginius, visada įsitikinkite, ar jie yra prijungti ir ar teisingai naudojami.** Naudojant dulkių nusiurbimo įrenginius sumažėja kenksmingas dulkių poveikis.
- 4) RŪPESTINGA ELEKTRINIŲ ĮRANKIŲ PRIEŽIŪRA IR NAUDOJIMAS**
- a) **Neperkraukite prietaiso. Naudokite Jūsų darbui tinkamą elektrinį įrankį.** Su tinkamu elektriniu įrankiu Jūs dirbsite geriau ir saugiau, jei neviršysite nurodyto galingumo.
- b) **Nenaudokite elektrinio įrankio su sugedusiu jungikliu.** Elektrinis įrankis, kurio nebegalima įjungti ar išjungti, yra pavojingas ir jį reikia remontuoti.
- c) **Prieš reguliuodami prietaisą, keisdami darbo įrankius ar prieš valydami prietaisą, iš elektros tinklo lizdo ištraukite kištuką ir/arba išimkite akumuliatorių.** Ši saugumo priemonė apsaugos jus nuo netikėto prietaiso įsijungimo.
- d) **Nenaudojamą prietaisą sandėliuokite vaikams ir nemokantiems juo naudotis asmenims neprieinamoje vietoje.** Elektriniai įrankiai yra pavojingi, kai juos naudoja nepatyrę asmenys.
- e) **Rūpestingai prižiūrėkite prietaisą. Tikrinkite, ar besisukančios prietaiso dalys tinkamai veikia ir niekur nekliūva, ar nėra sulūžusių ar šiaip pažeistų dalių, kurios įtakotų prietaiso veikimą.** Prieš vėl naudojant prietaisą pažeistos prietaiso dalys turi būti suremontuotos. Daugelio nelaimingų atsitikimų priežastis yra blogai prižiūrimi elektriniai įrankiai.
- f) **Pjovimo įrankiai turi būti aštrūs ir švarūs.** Rūpestingai prižiūrėti pjovimo įrankiai su aštriomis pjaunamosiomis briaunomis mažiau stringa ir juos yra lengviau valdyti.
- g) **Elektrinį įrankį, papildomą įrangą, darbo įrankius ir t. t. naudokite taip, kaip nurodyta šioje instrukcijoje. Taip pat atsižvelkite į darbo sąlygas bei atliekamo**

darbo pobūdį. Naudojant elektrinius įrankius ne pagal jų paskirtį galima sukelti pavojingas situacijas.

5) APTARNAVIMAS

- a) **Prietaisą turi remontuoti tik kvalifikuotas specialistas ir naudoti tik originalias atsargines dalis.** Taip galima garantuoti, jog prietaisas išliks saugus.

DARBŲ SAUGOS NUORODOS DIRBANTIEMS SU SMŪGINIAIS GRĘŽTUVAIS

BENDROJI DALIS

- Šį prietaisą turėtų naudoti tik asmenys, kuriems 16 ir daugiau metų
- **Prieš reguliuojant prietaisą arba keičiant darbo įrankius, ištraukite kištuką iš el. tinklo lizdo**
- **Naudokite klausos apsaugos priemones** (dėl triukšmo poveikio galima prarasti klausą)
- **Naudokite su įrankiu pateiktas papildomas rankenas** (nesuvaldžius įrankio, galima susižeisti)
- Naudojami ilginamuosius kabelius atkreipkite dėmesį į tai, kad kabelis būtų iki galo išvyniotas ir būtų pritaikytas 16 A elektros srovei
- **Draudžiama apdirbti medžiagas, kurių sudėtyje yra asbesto** (asbestas pasižymi vėžį sukeliančiu poveikiu)
- Kai kurių medžiagų, kaip antai dažų, kurių sudėtyje yra švino, kai kurių medžių rūšių medienos, mineralų ir metalo dulksės gali būti kenksmingos (kontaktas su šiomis dulksėmis arba įkvėptos dulksės gali sukelti operatoriui arba šalia esantiems žmonėms alergines reakcijas ir/arba kvėpavimo sistemos susirgimus); **mūvėkite priešdulkinę puskaukę arba dirbdami naudokite dulkių ištraukimo įrenginį, jei jį galima prijungti**
- Kai kurių rūšių dulksės priskiriamos kancerogeninėms (pvz., ažuolo arba buko medienos dulksės), ypač susimaišiusios su medienos taurinimui naudojamais priedais; **mūvėkite priešdulkinę puskaukę arba dirbdami naudokite dulkių ištraukimo įrenginį, jei jį galima prijungti**
- Vadovaukitės Jūsų šalyje taikomų direktyvų reikalavimais, skirtais medžiagoms, su kuriomis norite dirbti

PRIEŠ EKSPLOATACIJĄ

- Visada patikrinkite, ar elektros tinklo įtampa sutampa su įtampos dydžiu, nurodytu prietaiso vardinėje lentelėje (prietaisus su nurodyta įtampa 230V ir 240V galima jungti į 220V įtampos elektros tinklą)
- Saugokite, kad nepažeistumėte prietaiso į ruošinyje esančius varžtus, vinius ir pan; prieš pradėdami darbą juos pašalinkite
- **Naudokite tam skirtus paieškos prietaisus, patikrinkite, ar gręžimo vietoje nėra paslėptų komunalinių tinklų vamzdynų, arba pasikvieskite į pagalbą vietinius komunalinių paslaugų tiekėjus** (kontaktas su elektros laidais gali sukelti gaisro bei elektros smūgio pavojų; pažeidus dujotiekio vamzdį, gali įvykti sprogimas; pažeidus vandentiekio vamzdį, galima pridaryti daugybę nuostolių bei sukelti elektros smūgio pavojų)
- **Saugiai laikykite tvirtinamą dirbinį** (dirbinį, kuris segamas ar kalamas kabių kalimo įrankiais, saugiau laikyti spaustuvu nei ranka)
- Prietaisą su pažeistu kabeliu naudoti draudžiama; jį turi pakeisti kvalifikuotas elektrikas

PAPILDOMA ĮRANGA

- SKIL gali garantuoti nepriekaištingą prietaiso veikimą tik tuo atveju, jei naudojama originali papildoma įranga ir priedai
- Leidžiama naudoti tik tokius įrankius, kurių maksimalus leistinas apsisukimų skaičius yra ne mažesnis, nei maksimalus Jūsų prietaiso sūkių skaičius

EKSPLOATACIJA

- Pasirūpinkite, kad maitinimo kabelis nebūtų arti besisukančių prietaiso dalių
- Netikėtai užstrigus grąžtui (atsiranda pavojingos reakcijos jėgos), tuojau pat išjunkite prietaisą
- **Dirbdami ten, kur besisukantis įrankis galėtų kliudyti paslėptą laidą ar savo paties maitinimo laidą, laikykite prietaisą už izoliuotų rankenų** (dėl kontakto su laidininku, kuriuo teka elektros srovė, metalinėse prietaiso dalyse atsiranda įtampa ir naudotojas gali gauti elektros smūgį)
- Atsiradus mechaninio ar elektrinio pobūdžio trukdžiams, tuojau pat išjunkite prietaisą ir ištraukite kištuką iš elektros tinklo lizdo
- Jei dirbant bus pažeistas ar nutrauktas kabelis, būtina neliečiant kabelio tuojau pat ištraukti kištuką iš elektros tinklo lizdo

PO EKSPLOATACIJOS

- Prieš padėdami prietaisą jį išjunkite ir palaukite, kol visos besisukančios jo dalys visiškai sustos

NAUDOJIMAS

- Įjungimas/išjungimas ④
- Jungiklio fiksavimas ilgalaikiam darbui ⑤
- Greičio reguliavimas, švelniai pradėdam gręžimą ⑥
- Maksimalaus sūkių skaičiaus reguliavimas ⑦
- Ratuku C arba galima parinkti norimą maksimalų sūkių skaičių
 - įjunkite prietaisą
 - užfiksuoti jungiklį
 - ratuku C parinkti maksimalų sūkių skaičių
- Sukimosi krypties perjungiklis ⑧
 - kol šis perjungiklis neužsifiksavo kairėje arba dešinėje padėtyje, negalėsite nuspausti jungiklio A ②
- ! **sukimosi kryptį perjungti tik prietaisui visiškai sustojus**
- Normalus gręžimas be smūginis gręžimas ⑨
 - F indikatorius rodo pasirinktą gręžimo funkciją
- ! **režimus keisti galite tik prietaisui neveikiant kai elektros laido kištukas yra ištrauktas iš tinklo rozetės**
- Antgalių pakeitimas ⑩
 - darbo antgalį įstatykite į gręžimo patroną kiek galima giliau
- ! **nenaudokite antgalių su pažeistu kotu**
- Gręžimo gylio nustatymas ⑪
- Prietaiso laikymas ir valdymas ⑫
 - ! **dirbdami laikykite prietaisą už pilkos spalvos suėmimo vietas(-ų)**
 - visuomet naudokite pagalbinę rankeną G ② (tvirtinti, kaip parodyta pav.)
 - ventilacines angas J ② laikykite neuždengtas
 - nespauskite prietaiso pernelyg stipriai; tegul prietaisas dirba už Jus

NAUDOJIMO PATARIMAI

- Naudokite tinkamus darbo antgalius ⑬
- ! **naudokite tik aštrius antgalius**
- Gręždami betoną arba akmenį, pastoviai ir tolygiai spauskite grąžtą
- Gręžiant metalą
 - jei reikia gręžti didelio skersmens skylę, prieš tai išgręžkite mažą skylutę
 - retkarčiais patepkite grąžtą alyva
- Medžio gręžimas be atplaišių ⑭
- Mūro sienos gręžimas be dulkių ⑮
- Lubų gręžimas be dulkių ⑯
- Plytelių gręžimas be įskilimų ⑰
- Daugiau patarimų rasite internete www.skil.com

PRIEŽIŪRA / SERVISAS

- Šis prietaisas neskirtas profesionaliam naudojimui
- Periodiškai valykite prietaisą ir kabelį (ypač ventilacines angas J ②)
- ! **prieš valydami ištraukite kištuką iš elektros tinklo lizdo**
- Jeigu prietaisas, nepaisant gamykloje atliekamo kruopštaus gamybos ir kontrolės proceso, vis dėlto sugestų, jo remontas turi būti atliekamas įgaliotoje SKIL elektrinių įrankių remonto dirbtuvėse
 - **neišardytą** prietaisą kartu su pirkimo čekiu siųskite tiekėjui arba į artimiausią SKIL firmos įgaliotą elektros prietaisų techninio aptarnavimo tarnybą (adresus bei atsarginių dalių brėžinius rasite www.skil.com)

APLINKOSAUGA

- **Nemeskite elektrinių įrankių, papildomos įrangos ir pakuočių į buitinių atliekų konteinerius** (galioja tik ES valstybėms)
 - pagal ES Direktyvą 2002/96/EG dėl naudotų elektrinių ir elektroninių prietaisų atliekų utilizavimo ir pagal vietinius valstybės įstatymus atitarnavę elektriniai įrankiai turi būti surenkami atskirai ir gabenami į atnirinių žaliavų tvarkymo vietas, kur jie turi būti sunaikinami ar perdirbami aplinkai nekenksmingu būdu
 - apie tai primins simbolis ⑱, kai reikės išmesti atitarnavusį prietaisą

ATITIKTIES DEKLARACIJA €

- Atsakingai pareiškiame, kad skyrįuje "Techniniai duomenys" aprašytas gaminyje atitinka žemiau pateiktus standartus ir norminius dokumentus: EN 60745, EN 61000, EN 55014 pagal direktyvą 2004/108/EB, 2006/42/EB, 2011/65/ES reikalavimus
- **Techninė byla laikoma:** SKIL Europe BV (PT-SEU/ENG1), 4825 BD Breda, NL

Marijn van der Hoofden
Operations & Engineering

Olaf Dijkgraaf
Approval Manager

SKIL Europe BV, 4825 BD Breda, NL

04.07.2013

ТРИУКЌМИГУМАС/ВИБРАЦИЈА

- Што претисао триуќшмигумас буво ишматуотас пагал EN 60745 реикалавимус; келиамо триуќшмо гарсо слѓиго лыгис сикиа 94 dB(A) ир акустинио галингумо лыгис 105 dB(A) (стандартинис нуокуприс: 3 dB), ир вибрацијос пагреитис ранкос плаштакос срлтије типиниу атвеју yra маѓеснис, каип
 - * m/s^2 (паклаида $K = 1,5 m/s^2$)
 - * греѓздми метало $3,0 m/s^2$
 - * греѓзиант бетонаѓ смѓуѓиниу реѓзиму $13,2 m/s^2$
- Вибрацијос склаидос лыгис ишматуотас пагал стандарте EN 60745 ишдѓстус стандартизуото бандымо реикалавимус; ши верте гали бути наудојама вианам јранкииу палиѓинти су киту беи ишанкстиниам вибрацијос повекииу јвертинти, каи јранкис наудојамас паминѓетис будаис
 - наудојант јранќј китокiais будаис арба су китокiais беи нетинксаму приѓиуриамис пriedаис, гали ѳимiai **падидѓти** повекио лыгис
 - лаикотарпiais, каи јранкис ишјунгтас арба yra јјунгтас, таќиау јуо недирбама, гали ѳимiai **сумаѓети** повекио лыгис
- ! **арписаудоките нуо вибрацијос повекио приѓиуѓедми јранќј ир жо пriedус, лаикыдми ранкас шлтай ир дериндми дарбо киклус су пертрауќелѓмис**

МК

Вибрациска дупчалка 6271/6290

УПАТСТВО

- Овој алат е наменет за вибрациско дупчење во цигла и бетон и камен, како и за дупчење во дрво, метал, керамика и пластика
- Овој алат не е наменет за професионална употреба
- Внимателно прочитајте го и зачувајте го ова упатство за ракување ③

ТЕХНИЧКИ ПОДАТОЦИ ①

ЕЛЕМЕНТИ НА АЛАТОТ ②

- A Прекинувач за вклучување/исклучување и контрола на брзината
- B Копче за блокирање на прекинувачот
- C Тркалце за контрола на максималната брзина
- D Прекинувач за менување на насоката на вртење
- E Прекинувач за избор на режимот на дупчење
- F Индикатор за избраниот режим за дупчење
- G Дополнителна рачка
- H Граничник за длабочина
- J Отвори за вентилација

БЕЗБЕДНОСТ

ОПШТИ УПАТСТВА ЗА БЕЗБЕДНОСТ

⚠ ПРЕДУПРЕДУВАЊЕ! Сите упатства мора да се прочитаат. Непочитување на долу наведените упатства може да предизвика струен удар, пожар и/или тешки повреди. **Чувајте ги сите предупредувања и напатствија за во иднина.** Поимот “електричен алат”, кој се користи во понатамошниот текст, се однесува на

вашиот електричен алат (со приклучен кабел) и на електрични алати со погон на батерии (без приклучен кабел).

1) БЕЗБЕДНОСТ НА РАБОТНОТО МЕСТО

- Одржувајте го вашето работно место чисто и уредно.** Неуреден или темен работен простор може да предизвикаат незгоди.
- Немојте да работите со уредот во средина во која има опасност од експлозија, во која има запалливи течности, гасови и прашина.** Електричните алати произведуваат искри кои можат да запалат прашина или пареа.
- За време на употребата на електричниот алат, децата и останатите лица држете ги подалеку од местото каде работите.** Одвраќање, би можеле да изгубите контрола врз уредот.

2) ЕЛЕКТРИЧНА СИГУРНОСТ

- Утикач мора да одговара на приклучокот. Никане не смее да се прават измени на штекерот. Не користете адаптерски штекер заедно со уредот кој е заштитно заземјен.** Не променети штекери и соодветни приклучоци го намалуваат ризикот од електричен удар.
- Избегнувајте допир на телото со заземјени површини, како што се цевки, радијатори, рерни и фрижидери.** Постои зголемена опасност од струен удар, доколку Вашето тело е заземјено.
- Чувајте го уредот подалеку од дожд и влага.** Продирањето на вода во електричниот уред ја зголемува опасноста од струен удар.
- Не злоупотребувајте го приклучниот кабел за носење, бeseње на уредот или за извлекување на штекерот од мрежниот приклучок. Чувајте го кабелот подалеку од топлина, масло, остри рабови или деловите на апаратот кои се движат.** Оштетени или заплеткани кабли ја зголемуваат опасноста од струен удар.
- Кога го употребувате полначот надвор, користете продолжен кабел кој е соодветен за употреба на отворен простор.** Примената на продолжен кабел соодветен за работа на отворен простор ја намалува опасноста од струен удар.
- Доколку не може да се избегне работа со електричниот алат во влажна средина, користете прекинувач за струјна заштита при технички проблеми.** Употребата на прекинувачот за струјна заштита при технички проблеми го намалува ризикот од електричен удар.

3) БЕЗБЕДНОСТ НА ЛУЃЕ

- Бидете внимателни, внимавајте што правите и постапувајте внимателно додека работите со електричниот алат. Не работете со уредот доколку сте уморни или под дејство на дрога, алкохол или лекови.** Еден момент на невнимание при употребата може да доведе до сериозни повреди.
- Носете ја личната заштитна опрема и секогаш носете заштитни очила.** Носењето на личната заштитна опрема, како што е маската за прашина, безбедносната облека која не се лигза, заштитен шлем или штитник за слух, зависно од видот и

- примената на електричниот алат, ја намалува опасноста од повреда.
- c) **Избегнувајте невнимателно вклучување за време на работата. Осигурајте се прекинувачот да биде во “OFF” позиција пред да го ставите штекерот во приклучокот.** Доколку го носите електричниот алат со прстот на прекинувачот или го приклучувате апаратот кој е приклучен со напојување на струја, може да предизвикате незгоди.
 - d) **Пред вклучување на уредот, тргнете ги алатите за подесување или клучот за вртнување.** Алатот или клучот кој се наоѓа во вртливиот дел на уредот, може да предизвика незгода.
 - e) **Не ги преценувајте своите способности. Завземете сигурен и стабилен став и во секој момент одржувајте рамнотежа.** На тој начин можете подобро да го контролирате уредот во неочекувани ситуации.
 - f) **Носете соодветна облека. Не носете широка облека или накит. Носата, облеката и ракавиците држете ги подалеку од деловите кои се движат.** Комотната облека, накитот или долгата коса може да бидат фатени во деловите кои се движат.
 - g) **Доколку може да се монтираат направи за вшмукување и фаѓање прашина, проверете дали се вклучени и дали можат исправно да се користат.** Примената на овие направи ја намалува опасноста од прашината.
- #### 4) ВНИМАТЕЛНА УПОТРЕБА И РАКУВАЊЕ СО ЕЛЕКТРИЧНИТЕ АЛАТИ
- a) **Не го преоптеретувајте уредот.** При вашата работа користете го предвидениот електричен алат за таа употреба. Со соодветниот електричен алат ќе работите подобро и посигурно во наведената функционална област.
 - b) **Не користете електричен алат чиј прекинувач е неисправен.** Електричниот алат кој повеќе не може да се вклучува и исклучува е опасен и мора да се поправи.
 - c) **Извлечете го штекерот од приклучокот пред извршување на било какви подесувања на апаратот, замена на приборот или складирање.** Со овие мерки на внимателност ќе се избегне невнимателното вклучување на уредот.
 - d) **Тргнете го електричниот алат кој не го користите од допирот на децата. Не допуштајте работа со уредот на лица кои не се запознаени со него или кои го немаат прочитано ова упатство.** Електричните алати се опасни доколку со нив работат неискусни лица.
 - e) **Одржувајте го уредот со внимание. Имајте контрола околу тоа дали движечките делови на уредот работат беспрекорно и дали не се заглавени, дали деловите се скриени или оштетени до таа мерка што не може да се обезбеди функционирање на уредот. Пред примената, овие оштетени делови треба да се поправат.** Причина за многу незгоди е лошо одржуваниот електричен алат.

- f) **Алатите за сечење одржувајте ги остри и чисти.** Внимателно одржуваните алати за сечење со остри отприци помалку ќе се заглавуваат и со нив работата ќе биде полесна.
 - g) **Електричниот алат, прибор, работни алати итн., треба да ги користите според овие упатства, и на начин кој е опишан за соодветниот тип на уред. При тоа, земете ги предвид работните услови и работата која се извршува.** Употребата на електричните алати за други цели кои не се предвидени, може да предизвика опасни ситуации.
- #### 5) СЕРВИСИРАЊЕ
- a) **Поправната на Вашиот уред препуштете им ја само на обучен, стручен кадар на овластен сервисер, и само со оригиналните резервни делови.** На тој начин ќе се обезбеди уредот да остане со зачувана безбедност.

БЕЗБЕДНОСНИ УПАТСТВА ЗА ВИБРИРАЧКИ ДУПЧАЛКИ

ОПШТИ

- Овој алат не треба да го користат лица под 16 години
- **Обезбедете се алатот да е исклучен од струја пред да вршите било какво подесување или замена на приборот**
- **Носете заштита за ушите** (изложеност на тие звуци и бука, може да доведе фо трајно оштетување на слухот)
- **Користете ги страничните дршки кои се испорачуваат заедно со машината** (губењето на контрола може да доведе до повреди)
- Продолжениот кабел кој го користите, мора да биде сосема одмотан и безбеден, со капацитет од 16 А
- **Не обработувајте никаков материјал кој содржи азбест** (азбестот важи за предизвикувач на рак)
- Прашината од материјали како боја која содржи олово, некои видови дрво, минерали и метали, може да биде штетна за здравјето (контактот со прашината или нејзиното вдишување може да шредизвика алергии и/или болести на дишните органи за оној кој работи со алатот или луѓето во близина); **носете маска за прашина и работете со правосмукалки доколку можете да ги поврзете**
- Некои видови на прашина се канцерогени (како на пример прашината од даб или бука), особено заедно со адитиви за одржување на дрвото; **носете маска за прашина и работете со правосмукалки доколку можете да ги поврзете**
- Следете ги процедурите на вашата земја за прашината која се јавува како резултат од материјалите со кои работите

ПРЕД УПОТРЕБА

- Секогаш проверувајте напонот да е ист со оној кој е назначен на плочката на алатот (алатите за напон од 230V или 240V исто така може да се поврзат и на напон од 220V)
- Избегнувајте оштетувања од штрафови, шајки и други предмети во местото каде работите; тргнете ги пред да почнете со работа
- **Користете соодветни детектори за наоѓање на скриени инсталации или повикајте соодветна компанија за помош** (контактот со електричните

линии може да доведе до струен удар; оштетувањата во гасоводна цевка може да резултира со експлозија; пенетрирање во водоводна инсталација може да доведе до оштета на предмети или електричен удар)

- **Зацврстете го материјалот кој го обработувате** (обработка која е зацврстена со стеги или во менгема е побезбедна отколку да ја држите со раце)
- Никога не користете алат ако кабелот е оштетен; замената на кабелот мора да ја изврши стручно лице

ПРИБОР

- SKIL може да признае гаранција само доколку е користен оригинален прибор
- Користете само прибор чија дозволена брзина е во најмала рака еднаква на најголемата брзина при празен од на електричниот алат

ВО ТЕКОТ НА УПОТРЕБАТА

- Кабелот секогаш држете го подалеку од деловите на алатот кои се движат
- Во случај на ненадејна блокада на бургијата, со создавање на повратни сили на алатот, веднаш треба да го исклучите алатот
- **Држете го електричниот алат само за изолираните дршки кога извршувате работа во случаи кога апаратот може да дојде во контакт со електрични инсталации или со сопствениот кабел** (контакт со соголена жица исто така може да ги наелектризира металните делови на алатот и да предизвика струен удар)
- Во случај да дојде до електричен или механички дефект, веднаш исклучете го алатот и исклучете го од приклучокот
- Ако кабелот се оштети или пресече за време на работата, веднаш исклучете го и не го допирајте

ПО УПОТРЕБА

- Кога ќе ја завршите работата со алатот, исклучете го моторот и проверете дали сите подвижни делови се застанати

УПОТРЕБА

- Вклучено/Исклучено ④
- Блокирање на прекинувачот за постојана употреба ⑤
- Закочување на прекинувачот за лесен старт ⑥
- Контрола на максималната брзина ⑦
- Со тркалото С максималната брзина може да се приспособи од ниска до висока
 - вклучете го алатот
 - блокирајте го прекинувачот
 - вртете го тркалото С за избор на максимална брзина
- Промена на насоката на ротација ⑧
 - ако левата/десната позиција не легнат како што треба, прекинувачот А ② нема да може да стартува

! менувајте ја насоката на ротацијата само кога алатот се наоѓа во целосно мирување

- Нормално дупчење наспроти вибрациско дупчење ⑨
 - индикаторот F го прикажува избраниот режим за дупчење

! бирајте го режимот на дупчење само кога алатот е исклучен и приклучокот е изваден од струја

- Промена на бургиите ⑩
 - вметнете ја бургијата најдлабоко што можете во држачот
 - ! не употребувајте бургии со оштетена дршка**
- Приспобување на длабочината на дупчењето ⑪
- Држење и насочување на алатот ⑫
 - ! додена работите, секогаш држете го алатот за местото (местата) ноае (кои) се означени со сива боја**
 - **алатот секогаш држете го за страничната дршка G ②** (може да се приспособува, како на цртежот)
 - отворите за ладење J ② држете ги отворени
 - не притискајте премногу со алатот; дозволете тој сам да работи

СОВЕТИ ЗА ПРИМЕНА

- Користете соодветни бургии ⑬
 - ! употребувајте само остри бургии**
- За дупчење во бетон или камен, потребен е рамномерен притисок на дупчалката
- При дупчење во метал
 - најпрво издупчете помала дупка, кога сакате да издупчите поголема дупка
 - бургијата подмачкувајте ја со масло од време на време
- Дупчење на дрво без разлитување ⑭
- Дупчење на дрво без прашина ⑮
- Дупчење на таван без прашина ⑯
- Дупчење на плочки без лизгање ⑰
- Многу други совети можете да најдете на www.skil.com

ОДРЖУВАЊЕ/СЕРВИСИРАЊЕ

- Овој алат не е наменет за професионална употреба
- Алатот и кабелот секогаш да се одржуваат чисти (особено отворите за ладење J ②)
 - ! пред чистење извадете го алатот од приклучокот**
- Доколку алатот и покрај внимателното работење и контрола некогаш откаже, поправката мора да ја изврши некој овластен SKIL сервис за електрични алати
 - во случај на примедба, испратете го алатот **нерасклопен**, заедно со сметкопотврдата, до вашиот продавач или најблискиот SKIL сервис (адресите се наведени на www.skil.com)

ЗАШТИТА НА ЖИВОТНАТА СРЕДИНА

- **Не се ослободувајте од електрични алати, уреди или амбалажа преку нивно фрлање во домашното ѓубре** (само за земјите на ЕУ)
 - според Европската Директива 2002/96/ЕС за ослободување од електрична и електронска опрема и нејзина имплементација во согласност со националните закони, електричните алати кои го достигнале крајот на својот животен век мора да бидат собрани посебно и да бидат вратени во соодветен објект за рециклирање

- симболот (B) ќе ве потсетува на ова кога ќе дојде време алатот да го фрлите

ДЕКЛАРАЦИЈА ЗА УСОГЛАСЕНОСТ CE

- Со целосна одговорност изјавуваме дека производот опишан кај "Технички податоци" е усогласен со следните стандарди или документи за стандардизација: EN 60745, EN 61000, EN 55014 во согласност со одредбите во директивите 2004/108/EG, 2006/42/EG, 2011/65/EU
- **Техничко досие во:** SKIL Europe BV (PT-SEU/EN G1), 4825 BD Breda, NL

Marijn van der Hoofden
Operations & Engineering

Olaf Dijkgraaf
Approval Manager

SKIL Europe BV, 4825 BD Breda, NL

04.07.2013

БУЧАВА/ВИБРАЦИИ

- Мерео во согласност со EN 60745 нивото на звучен притисок е 94 dB(A) а нивото на звучна моќност 105 dB(A) (стандардно отстапување: 3 dB), и вибрација * m/c^2 (hand-arm метода; несигурност $K = 1.5 m/c^2$)
 - * при дупчење во метал $3,0 m/c^2$
 - * при вибрациско дупчење во бетон $13,2 m/c^2$
- Нивото на емитирање на вибрации кое е наведено на задниот дел на ова упатство е измерено во согласност со стандардизираниот тест даден во EN 60745; може да се користи за да се спореди еден алат со друг, и како првична оценка за изложеноста на вибрации кога се користи алатот за споменатите примени
 - користењето на алатот за разни примени, или со различни или неправилно чувани делови, може да доведе до значајно **зголемување** на нивото на изложеност
 - кога алатот е исклучен или кога алатот е вклучен но не врши некаква работа, може да дојде до значително **намалување** на нивото а изложеност
- ! **заштитете се од ефектите на вибрациите преку одржување на алатот и неговите делови, одржување на топлината во вашите раце, и организирање на вашата работа**

AL

Trapano me goditje

6271/6290

HYRJE

- Kjo pajisje është e projektuar për shpim me goditje në tulla, бетон dhe gur, si dhe shpime në dru, metal, qeramikë dhe plastikë
- Kjo vegël nuk është e projektuar për përdorim profesional
- Lexoni dhe ruani këtë manual të përdorimit (3)

TË DHËNAT TEKNIKE (1)

ELEMENTET E PAJISJES (2)

- A Çelësi për ndezyje/fikje dhe kontrolli i shpejtësisë
- B Butoni për bllokimin e çelësit
- C Rrota për kontrollin e shpejtësisë maksimale
- D Çelësi për ndryshimin e drejtimit ose të rrotullimit
- E Çelësi për zgjedhjen e funksionit të shpimit
- F Treguesi i funksionit të zgjedhur të shpimit
- G Doreza ndihmëse
- H Treguesi i thellësisë
- J Të çarat e ajrosjes

SIGURIA

UDHËZIMET E PËRGJITHSHME PËR SIGURINË

PARALAJMËRIM! Lexoni të gjitha paralajmërimet e sigurisë dhe të gjitha udhëzimet. Mosrespektimi i paralajmërimeve dhe udhëzimeve mund të rezultojë në goditje elektrike, zjarr dhe/ose dëmtime të rënda. **Ruani të gjitha paralajmërimet dhe udhëzimet për referencë në të ardhmen.** Termi "pajisje elektrike" në paralajmërimet i referohet pajisjes elektrike që përdoret nga priza (me kablo) ose pajisjes elektrike me bateri (pa kablo).

1) SIGURIA E ZONËS SË PUNËS

- a) **Mbajeni zonën e punës të pastër dhe të ndriçuar mirë.** Zonat e çrregullta ose të errëta janë një ftesë për aksidente.
- b) **Mos i përdorni pajisjet elektrike në situata me mundësi shpërthimi, si në prani të lëngjeve, gazeve ose pluhurave të djegshëm.** Pajisjet elektrike shkaktojnë shkëndija që mund të ndezin pluhurat ose avujt.
- c) **Mbajini fëmijët dhe personat e tjerë larg gjatë përdorimit të veglës së punës.** Tërheqja e vëmendjes mund të shkaktojë humbjen e kontrollit.

2) SIGURIA ELEKTRIKE

- a) **Spinat e veglës së punës duhet të përputhen me prizën. Mos modifikoni kurrë spinën në asnjë mënyrë. Mos përdorni asnjë spinë përshtatëse me veglat e punës me tokëzim.** Spinat e pamodifikuara dhe prizat përshtatëse do të zvogëlojnë rrezikun e goditjes elektrike.
- b) **Shmangni kontaktin trupor me sipërfaqe të tokëzuara si tuba, radiatorë, soba dhe frigoriferë.** Ka një rrezik më të madh të goditjeve elektrike nëse trupi është i tokëzuar.
- c) **Mos ekspozoni veglat e punës në shi ose në kushte me lagështi.** Uji që hyn në veglën e punës do të rritë rrezikun e goditjes elektrike.
- d) **Mos abuzoni me kordonin. Mos e përdorni kurrë kordonin për transportin, tërheqjen ose heqjen e spinës së veglës së punës. Mbajeni kordonin larg nga nxehtësia, vaji, anët e mprehta ose pjesët që lëvizin.** Kordonët e dëmtuar ose e bllokuar rrisin rrezikun e goditjes elektrike.
- e) **Kur përdorni një vegël pune në mjedise të jashtme, përdorni një kordon zgjatues të përshtatshëm për përdorim në mjedise të jashtme.** Përdorimi i një

kordoni të përshtatshëm për përdorime në mjedise të jashtme zvogëlon rrezikun e goditjes elektrike.

- f) **Nëse përdorimi i veglës së punës në një vend me lagështi është i pashmangshëm, përdorni një automat qariku me shkarkesë me tokëzim.** Përdorimi i një automati me shkarkesë me tokëzim zvogëlon rrezikun e goditjes elektrike.

3) SIGURIA PERSONALE

- a) **Qëndroni në gatishmëri, shikoni se çfarë po bëni dhe përdorni gjykimin kur përdorni një vegël pune.** Mos e përdorni një vegël pune kur jeni i lodhur ose nën ndikimin e ilaçeve, alkoolit ose mjekimit. Një moment humbje e vëmendjes gjatë përdorimit të veglave të punës mund të shkaktojë dëmtime të rënda personale.

- b) **Përdorni pajisje personale mbrojtëse. Mbani gjithmonë pajisje për mbrojtjen e syve.** Pajisjet mbrojtëse si maska kundër pluhurit, këpucët që nuk rrëshqasin, kaskat ose pajisjet për mbrojtjen e veshëve për kushtet përkatëse do të zvogëlojnë dëmtimet personale.

- c) **Parandaloni ndezjen e rastësishme. Sigurohuni që çelësi është në pozicionin fikur para se të lidhni burimin e energjisë dhe/ose baterinë, para se të merrni ose të transportoni pajisjen.** Transportimi i veglave të punës me gishtin në çelës ose aktivizimi i veglave të punës që kanë çelësin të ndezur është një ftesë për aksidente.

- d) **Hiqni çdo çelës ose çelës përshtatës para ndezjes së veglës së punës.** Një çelës i lënë i lidhur me një pjesë rrotulluese të veglës së punës mund të shkaktojë dëmtime personale.

- e) **Mos u zgjasni. Mbani një vendosje të mirë të këmbëve dhe një ekuilibër të mirë në çdo moment.** Kjo gjë bën të mundur një kontroll më të mirë të veglës së punës në situata të papritura.

- f) **Vishuni në mënyrën e duhur. Mos vishni veshje të gjera ose bizhuteri. Mbani flokët, veshjet dhe dorashkat larg nga pjesët lëvizëse.** Veshjet e gjera, bizhuteritë ose flokët e gjatë mund të kapen nga pjesët në lëvizje.

- g) **Nëse janë ofruar pajisje për lidhjen e pajisjeve të mbledhjes dhe nxjerrjes së pluhurave, sigurohuni që ato të jenë të lidhura dhe të përdoren si duhet.** Përdorimi i mbledhjes së pluhurave mund të zvogëlojë rreziqet në lidhje me pluhurat.

4) PËRDORIMI DHE KUJDESI PËR VEGLËN E PUNËS

- a) **Mos ushtroni forcë mbi veglën e punës. Përdorni veglën e punës të duhur për përdorimin tuaj.** Vegla e punës e duhur do të realizojë një punë më të mirë dhe më të sigurt dhe me shpejtësinë që ajo është e projektuar.

- b) **Mos përdorni veglën e punës nëse çelësi nuk e ndez apo e fik.** Çdo vegël pune që nuk mund të kontrollohet me anë të çelësit është e rrezikshme dhe duhet të riparohet.

- c) **Shkëputni spinën nga burimi i energjisë dhe/ose baterinë nga vegla e punës para se të bëni rregullime të tjera, të ndryshoni aksesoret ose të ruani veglat e punës.** Këto masa parandaluese të sigurisë ulin rrezikun e ndezjes aksidentale të veglës së punës.

- d) **Mbani veglat e punës larg fëmijëve dhe mos lejoni personat e pamësuar me veglën e punës ose këto udhëzime për përdorimin e pajisjes.** Veglat e punës janë të rrezikshme në duart e përdoruesve të patrajnura.

- e) **Mirëmbani veglat e punës. Kontrolloni për mospërshtatje ose bllokim të pjesëve lëvizëse, thyerje të pjesëve dhe gjendje të tjera që mund të ndikojnë në funksionimin e veglës së punës.** Nëse dëmtohet, riparoheni veglën e punës para përdorimit. Shumë aksidente shkaktohen nga veglat e punës jo të mirëmbajtura si duhet.

- f) **Mbajini pajisjet prerëse të pastra dhe të mprehta.** Pajisjet e prerjes të mirëmbajtura dhe me anë të mprehta kanë më pak mundësi për t'u bllokuar dhe janë më të lehta për t'u kontrolluar.

- g) **Përdorni veglat e punës, aksesoret dhe puntot, etj. në përputhje me këto udhëzime, duke marrë parasysh kushtet e punës dhe punën që do të kryhet.** Përdorimi i veglave për përdorime të ndryshme nga ato të përcaktuara mund të shkaktojë rreziqe.

5) SHËRBIMI

- a) **Shërbimi i veglës së punës duhet të kryhet nga një person i kualifikuar për riparimet duke përdorur vetëm pjesë ndërrimi identike.** Kjo gjë do të sigurojë ruajtjen e sigurisë së veglave të punës.

UDHËZIMET E SIGURISË PËR TRAPANOT ME GODITJE

TË PËRGJITHSHME

- Kjo pajisje nuk duhet të përdoret nga personat nën moshën 16 vjeç
- **Shkëputni gjithmonë spinën nga burimi i energjisë para kryerjes së rregullimeve ose ndryshimeve të aksesorëve**
- **Mbani mbrojtëse për veshët** (ekspozimi ndaj zhurmës mund të shkaktojë humbje të dëgjimit)
- **Përdorni dorezë(a) ndihmëse, nëse është e përfshirë me pajisjen** (humbja e kontrollit mund të shkaktojë dëmtime personale)
- Përdorni kordonë të pahapur dhe të sigurt për zgjatime, me një kapacitet 16 amper
- **Mos punoni me materiale që përmbajnë asbest** (asbesti konsiderohet kancerogjen)
- **Pluhurat nga materialet si boja me plumb, disa lloje drurësh, minerale dhe metalesh mund të jenë të dëmshme** (kontakti ose thithja e pluhurave mund të shkaktojë reagime alergjike dhe/ose sëmundje respiratore për përdoruesin ose personat përreth); **mbani një maskë për pluhurat dhe punoni me një pajisje për heqjen e pluhurave kur mund të lidhet**
- Disa lloje pluhurash kanë klasifikuar si kancerogjene (si pluhuri i lisit dhe i ahut) veçanërisht në ndërthurje me lëndët shtesë për kondicionimin e drurit; **mbani një maskë për pluhurat dhe punoni me një pajisje për heqjen e pluhurave kur mund të lidhet**
- Respektoni kërkesat kombëtare në lidhje me pluhurat për materialet me të cilat dëshironi të punoni

PARA PËRDORIMIT

- Kontrolli gjithmonë që voltazhi i energjisë të jetë i njëjtë si voltazhi që tregohet në etiketën e veglës (veglat me klasifikimin 230 V ose 240 V mund të lidhen po ashtu me një burim 220 V)

- Shmangni dëmtimet që mund të shkaktohen nga vidat, gozhdët dhe elementet e tjera në materialin e punës; hiqni ato para se të filloni punën
- **Përdorni detektorë përkatës për të gjetur linjat e fshehura të shërbimit ose telefononi kompaninë lokale të shërbimeve për ndihmë** (kontakti me linjat elektrike mund të shkaktojë zjarr ose goditje elektrike; dëmtimi i një linje gazi mund të shkaktojë një shpërthim; shpimi i një tubi uji do të shkaktojë dëmtim të pronës ose një goditje elektrike)
- **Siguroini materialin e punës** (një material i shtrënguar me një pajisje shtrëngimi ose morsë mbahet në mënyrë më të sigurt se sa me dorë)
- Mos e përdorni kurrë veglën kur kordoni është i dëmtuar; zëvendësojeni nga një person i kualifikuar

AKSESORËT

- SKIL mund të garantojë funksionimin pa probleme të veglës vetëm kur përdoren aksesorët origjinalë
- Përdorni vetëm aksesorë me një shpejtësi të lejuar që përshtatet të paktën me shpejtësinë më të lartë pa ngarkesë të pajisjes

GJATË PËRDORIMIT

- Mbajeni kordonin gjithmonë larg nga pjesët lëvizëse të pajisjes
- Nëse puntoja bllokohet papritur (duke shkaktuar një reagim të papritur dhe të rrezikshëm), fikeni menjëherë pajisjen.
- **Mbajeni veglën e punës vetëm nga sipërfaqet e izoluara e kapjes kur kryeni një veprim ku aksesori mund të bjerë në kontakt me tela të fshehur ose me kordonin e tij** (kontakti me një tel elektrik mund të bëjë që pjesët metalike të ekspozuara të veglës së punës të transmetojnë elektricitetin dhe të shkaktojnë goditjen elektrike të përdoruesit)
- Në rast të një defekti elektrik ose mekanik, fikni menjëherë pajisjen dhe hiqni spinën
- Nëse kordoni dëmtohet ose pritet gjatë punës, mos e prekni kordonin por hiqni menjëherë spinën

PAS PËRDORIMIT

- Kur ta largoni pajisjen, fikeni motorin dhe sigurohuni që të gjitha pjesët lëvizëse të kenë ndalur plotësisht

PËRDORIMI

- Ndezje/Fikje ④
- Bllokimi i çelësit për përdorim në vazhdim ⑤
- Kontrolli i shpejtësisë për ndezjen e butë ⑥
- Kontrolli i shpejtësisë maksimale ⑦
Me anë të rrotës C shpejtësia maksimale mund të ndryshohet nga e ulët në e lartë
 - ndizni veglën
 - bllokoni çelësin
 - rrotulloni rrotën C për të zgjedhur shpejtësinë maksimale
- Ndryshimi i drejtimit të rrotullimit ⑧
 - kur është vendosur si duhet në pozicionin majtas/djathtas, çelësi A ② nuk mund të aktivizohet
 - ! **ndryshoni drejtimin e rrotullimit vetëm kur pajisja të jetë plotësisht e ndaluar**
- Shpimi normal në krahasim me shpimin e goditje ⑨
 - treguesi F tregon funksionin e zgjedhur të shpimit
 - ! **zgjidhni funksionin e shpimit vetëm kur pajisja të jetë e fikur dhe spina e shkëputur**

- Ndërrimi i puntove ⑩
 - futeni puntun sa më shumë në mandrinë
 - ! **mos i përdorni puntot me një bosht rrotullues të dëmtuar**
- Rregullimi i thellësisë së shpimit ⑪
- Mbajtja dhe drejtimi i veglës ⑫
 - ! **gjatë punës, mbajeni gjithmonë veglën në zonën(at) e dorezës me ngjyrë gri**
 - **përdorni gjithmonë dorezën ndihmëse G ②** (mund të rregullohet sipas ilustrimit)
 - mbajeni të çarat e ajrit J ② të pambuluara
 - mos ushtroni shumë trysni mbi pajisje; lëreni pajisjen që të punojë për ju

KËSHILLË PËR PËRDORIMIN

- Përdorni puntot e duhura ⑬
 - ! **përdorni vetëm punto të mprehta**
- Për shpime në beton ose në gur, kërkohet një trysni e vazhdueshme mbi trapano
- Kur shpini metale ferore
 - shpini paraprakisht një vrimë të vogël, kur kërkohet një vrimë e madhe
 - lubrifikoni herë pas here me vaj puntun e shpimit
- Shpimi pa ashkla në dru ⑭
- Shpimi pa pluhura në mure ⑮
- Shpimi pa pluhura në tavanë ⑯
- Shpimi në pllaka pa rrëshqitur ⑰
- Për më shumë këshilla, vizitoni www.skil.com

MIRËMBAJTJA / SHËRBIMI

- Kjo vegël nuk është e projektuar për përdorim profesional
- Mbajeni gjithmonë veglën dhe kordonin të pastër (veçanërisht të çarat e ajrosjes J ②)
- ! **shkëputni spinën para pastrimit**
- Nëse pajisja ka defekt pavarësisht kujdesit në prodhim dhe procedurat e provave, riparimi duhet të kryhet nga një qendër e shërbimit pas shitjes për veglat e punës të SKIL
 - dërgoni veglën të çmontuar së bashku me vërtetimin e blerjes te shitësi ose te qendra më e afërt e shërbimit e SKIL (adresat si dhe diagrami i shërbimit i veglës janë të paraqitura në www.skil.com)

MJEDISI

- **Mos i hidhni veglat elektrike, aksesorët dhe paketimin së bashku me materialet e mbeturinave familjare** (vetëm për vendet e BE-së)
 - në respektim të Direktivës evropiane 2002/96/EC për pajisjet elektrike dhe elektronike si mbetje dhe zbatimin e saj në përputhje me ligjet kombëtare, pajisjet elektrike që kanë arritur në fund të jetëgjatësisë së tyre duhet të mblidhen të ndara dhe të kthehen në një objekt riciklimi në përputhje me mjedisin.
 - simboli ⑱ do t'ju kujtojë për këtë gjë kur të jetë nevojta për t'i hedhur

DEKLARATA E KONFORMITETIT CE

- Ne deklarojmë me përgjegjësinë tonë të vetme se ky produkt i përshkruar në "Të dhëat teknike" është në përputhje me standardet ose dokumentet e standardizimit si më poshtë: EN 60745, EN 61000, EN 55014 në përputhje me dispozitat e direktivave 2004/108/EC, 2006/42/EC, 2011/65/EU
- **Dosja teknike në:** SKIL Europe BV (PT-SEU/ENG1), 4825 BD Breda, Holandë

Marijn van der Hoofden
Operations & Engineering

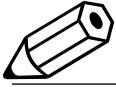
Olaf Dijkgraaf
Approval Manager

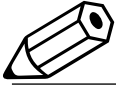
SKIL Europe BV, 4825 BD Breda, NL

04.07.2013

ZHURMA/VIBRIMI

- E matur në përputhje me EN 60745, niveli i trysnisë së tingullit i kësaj pajisje është 94 dB(A) dhe niveli i fuqisë së tingullit 105 dB(A) (shmangia standarde: 3 dB) dhe vibrimi * m/s^2 (metoda e krahut-dorës; pasiguria K = 1,5 m/s^2)
 - * kur shponi në metal 3,0 m/s^2
 - * gjatë shpimit me goditje në beton 13,2 m/s^2
 - Niveli i emetimit të vibrimit është matur në përputhje me një provë të standardizuar të dhënë në EN 60745; ajo mund të përdoret për të krahasuar një vegël me një tjetër dhe si një vlerësim paraprak i ekspozimit ndaj vibrimit kur përdorni pajisjen për proceset e përmendura
 - përdorimi i pajisjes për procese të ndryshme, ose me aksesorë të ndryshëm dhe të mirëmbajtur keq, mund të **rritë** ndjeshëm nivelin e ekspozimit
 - kohët kur pajisja është e fikur dhe kur është e ndezur por jo në punë, mund të **zvogëlojnë** ndjeshëm nivelin e ekspozimit
- ! mbron veten nga efektet e vibrimit duke mirëmbajtur pajisjen dhe aksesorët e saj, duke i mbajtur duart e ngrohta dhe duke organizuar mënyrën tuaj të punës**





- مواقعی که ابزار خاموش است یا روشن است ولی کاری با آن انجام نمی شود. میزان در معرض قرارگیری بطور قابل توجهی کاهش می یابد
- ! با نگهداری مناسب از ابزار و لوازم و ملتهلحات آن، گرم نگهداشتن دست های خود، و سازمان دهی طرح های کاری می توانید خود را در برابر اثرات ارتعاش محافظت کنید

- برای مته کردن بتن یا سنگ باید فشار پیوسته و یکنواختی روی مته وارد شود
- برای مته کردن فلزات آهنی
- اگر می خواهید سوراخ بزرگی ایجاد کنید، ابتدا یک سوراخ کوچک اولیه ایجاد کنید
- سرمته را هر چند وقت یکبار با روغن روانکاری کنید
- مته کاری بدون ترانسه چوب (۱۵)
- مته کاری دیوار بدون گرد و غبار (۱۵)
- مته کاری سقف بدون گرد و غبار (۱۶)
- مته کاری کاشی ها بدون لیز خوردن (۱۷)
- برای نکات بیشتر به www.skil.com مراجعه کنید

نگهداری / سرویس- خدمات

- این ابزار برای مصارف حرفه ای مناسب نیست
- همیشه ابزار و سیم برق را تمیز نگهدارید (بخصوص شماره های تهویه ل T)
- ! پیش از تمیز کردن سیم برق را از برق بکشید
- اگر ابزار علی‌رغم تمام دقت و مراقبتی که در فرایندهای تولید و تست بکار برده شده از کار افتاد، تعمیرات باید فقط در مراکز خدمات پس از فروش ابزارهای برقی SKIL انجام شود
- ابزار را بصورت **بازنشده** همراه با رسید خرید به فروشنده یا نزدیک ترین مرکز خدمات رسانی SKIL بفرستید (آدرسها به همراه نمودارنشده های سرویس ابزار در www.skil.com موجود است)

محیط زیست

- ابزارهای برقی، لوازم و ملتهلحات و بسته بندی آنها را نباید همراه با زباله های عادی خانگی دور انداخت (فقط مخصوص کشورهای عضو اتحادیه اروپا)
- با توجه به مصوبه اروپایی ۲۰۰۲/۱۸/EC اروپا درباره لوازم برقی و الکترونیکی مستعمل و اجرای این مصوبه مطابق با قوانین کشوری، ابزارهای برقی که به پایان عمر مفید خود رسیده اند باید جداگانه جمع آوری شده و به یک مرکز بازیافت مناسب و سازگار با محیط زیست انتقال یابند
- علامت (۱۸) یادآور این مسئله در هنگام دور انداختن است

اعلامیه مبنی بر رعایت استاندارد CE

- ما بر اساس مسئولیت انحصاری خود اعلام می نمایم که محصول شرح داده شده در قسمت «اطلاعات فنی» با استانداردها یا مستندات استاندارد شده زیر سازگاری و تطابق دارد: EN ۱۰۷۴۵ : EN ۱۱۰۰۰ : EN ۵۵۰۱۴. مطابق با مفاد مصوبات ۲۰۰۴/۱۰/EC، ۲۰۰۱/۱۴/EC، ۲۰۰۱/۱۵/EU
- پرونده فنی در: ۴۸۲۵ BD Breda, NL

Marijn van der Hoofden
Operations & Engineering

Olaf Dijkgraaf
Approval Manager

SKIL Europe BV, 4825 BD Breda, NL

04.07.2013

صد ارتعاشات

- اندازه گیری ها بر اساس استاندارد EN ۱۰۷۴۵ انجام و مشخص شد که میزان فشار صوتی این ابزار ۹۴ دسی بل و میزان توان صوتی آن ۱۰۵ دسی بل (با انحراف استاندارد ۳: دسی بل)، و میزان ارتعاشات * می باشد (شیوه دست-بازو، عدم قطعیت $K = 1,5$ متر/مجدور ثانیه)
- * در صورت مته کاری فلزات ۳,۰ متر/مجدور ثانیه
- * در صورت مته کاری ضربه ای ب ۱۳,۲ متر/مجدور ثانیه
- میزان انتشار ارتعاشات بر اساس تست استاندارد شده ای که در EN ۱۰۷۴۵ معرفی شده است اندازه گیری گردید، از این ارقام می توان برای مقایسه یک ابزار با دیگری و بعنوان ارزیابی اولیه در معرض قرارگیری ارتعاشات هنگام کار با ابزار در کاربری های فوق استفاده کرد
- استفاده کردن از ابزار برای کاربردهای متفاوت، یا با لوازم و ملتهلحات متفاوتنفره یا لوازم و ملتهلحاتی که بد نگهداری شده اند، می تواند میزان در معرض قرارگیری را بطور قابل ملاحظه ای افزایش دهد

4) استفاده صحیح از ابزار الکتریکی و مراقبت از آن

1) از وارد کردن فشار زیاد روی دستگاه خود داری کنید. برای هر کاری، از ابزار الکتریکی مناسب با آن استفاده کنید. بکار گرفتن ابزار الکتریکی مناسب باعث می شود که بتوانید از توان دستگاه بهتر و با اطمینان بیشتر استفاده کنید.

2) در صورت ایراد در کلید قطع و وصل ابزار برقی، از دستگاه استفاده نکنید. ابزار الکتریکی که می توان آنها را قطع و وصل کرد، خطرناک بوده و باید تعمیر شوند.

3) قبل از تنظیم ابزار الکتریکی، تعویض متعلقات و یا کنار گذاشتن آن، مواظب باشید که با باتری آنرا خارج کنید. رعایت این اقدامات پیشگیری ایمنی از راه افتادن ناخواسته ابزار الکتریکی جلوگیری می کند.

4) ابزار الکتریکی در صورت عدم استفاده، از دسترس کودکان دور نگهدارید. اجازه ندهید که افراد نا وارد و یا اشخاصی که این دفتر چه راهنما را نخوانده اند، با این دستگاه کار کنند. قرار گرفتن ابزار الکتریکی در دست افراد ناوارد و بی تجربه خطرناک است.

5) از ابزار الکتریکی خوب مراقبت کنید. مواظب باشید که قسمت های متحرک دستگاه خوب کار کرده و گیر نکنند. همچنین دقت کنید که قطعات ابزار الکتریکی شکسته و یا آسیب دیده نباشند. قطعات آسیب دیده را قبل از شروع به کار تعمیر کنید. علت بسیاری از سوانح کاری، عدم مراقبت کامل از ابزارهای الکتریکی می باشد.

6) ابزار برش را تیز و تمیز نگهدارید. ابزار برشی که خوب مراقبت شده و از لبه های تیز برخوردارند، کمتر در قطعه کار گیر کرده و بهتر قابل هدایت می باشند.

7) ابزارهای الکتریکی، متعلقات، ابزار که روی دستگاه نصب می شوند و غیره با مطابق دستورالعمل این جزوه راهنما طوری به کار گیرید که با مدل این دستگاه تناسب داشته باشند. همچنین به شرایط کاری و نوع کار توجه کنید. کاربرد ابزار برقی برای موارد کاری که برای آن در نظر گرفته نشده است، میتواند شرایط خطرناکی را منجر شود.

8) سرویس

9) برای تعمیر ابزار الکتریکی فقط به متخصصین حرفه ای رجوع کرده و از وسایل یکدیگی استفاده نکنید. این باعث خواهد شد که ایمنی دستگاه شما تضمین گردد.

هشدارهای ایمنی برای مته های ضربه ای

- عمومی
- افراد کمتر از 16 سال نباید با این دستگاه کار کنند
- قبل از هرگونه تنظیم یا تعویض کردن لوازم و ملحمتعلقات حتماً باید سیم برق دستگاه را از پریز بکشید
- از محافظ گوش استفاده کنید (قرار گرفتن در معرض صدای این ابزار می تواند به شنوایی آسیب برساند)
- از دسته(های) کمکی، در صورت ارائه به همراه ابزار استفاده کنید (از دست دادن کنترل روی ابزار می تواند به جراحت های فردی منجر شود)
- سیم های رابط برق باید کاملاً باز شده و ایمن باشند. از سیم هایی با رده بندی 16 آمپر
- با موادی حاوی آزیست کار نکنید (آزیست سرطان زاست)
- گرد و خاکی که از موادی مانند رنگ های حاوی سرب، برخی گونه های چوب، مواد معدنی و فلزات بلند می شود می تواند خطرناک باشد (ماس با این گرد و خاکیها و یا تنفس آنها می تواند در کاربران ابزار یا افراد نزدیک به محل کار واکنش های حساسیتی و یا بیماری های تنفسی ایجاد کند)؛ یک ماسک مخصوص گرد و خاک بزنید و در صورت امکان از یک وسیله مکش گرد و خاک استفاده کنید
- برخی از گرد و خاکیها (مانند گرد و خاکی که از چوب بلوط یا راش بلند می شود) علی الخصوص در مجاورت افزودنی های مخصوص چوب، سرطان زا هستند؛ یک ماسک مخصوص گرد و خاک بزنید و در صورت امکان از یک وسیله مکش گرد و خاک استفاده کنید
- از مقررات ملی مربوط به گرد و خاک موادی که می خواهید با آنها کار کنید پیروی نمایید

پیش از استفاده

- همیشه مطمئن شوید که ولتاژ ورودی دستگاه برابر ولتاژی باشد که روی پلاک دستگاه نوشته شده است (ابزارهایی که ولتاژ ورودی آنها 230 یا 240 ولت مشخص شده است می توانند با برق 220 ولت هم کار کنند)
- پیچ ها، میخ ها و سایر اجزا دیگری می توانند به قطعه کاری شما آسیب بزنند؛ بنابراین پیش از شروع کار آنها را بردارید
- برای پیدا کردن سیم و لوله های پنهان از دستگاه های دکتور مناسب استفاده کرده یا با شرکت های آب و برق و گاز محلی تماس گرفته و از آنها

• کمک بخواهید (ماس با سیم های برق موجب آتش سوزی و برق گرفتگی می شود؛ آسیب رساندن به لوله های گاز سبب انفجار می شود؛ سوراخ کردن لوله های آب به ساختمان آسیب رسانده و موجب خطر برق گرفتگی می شود)

• قطعه کاری را محکم کنید (اگر قطعه کاری را با گیره های جاری یا گیره های رومیزی ثابت کنید بسیار مطمئن تر از گرفتن آن با دست خواهد بود)

• وقتی که سیم برق ابزار آسیب دیده هرگز از آن استفاده نکنید و از یک فرد متخصص بخواهید آنرا برای شما عوض کند

متعلقات

- SKIL در صورتی که از متعلقات اصلی استفاده کنید عملکرد بدون مشکل ابزار را تضمین می نماید
- متعلقات باید فقط با سرعت های چرخش مجاز که معادل بالاترین سرعت بدون بار ابزار هستند به کار برده شوند

در حین استفاده

- همیشه باید سیم برق ابزار را از بخشهای متحرک آن دور نگهدارید
- اگر سرمته بطور ناگهانی گیر کرد (که نتیجه آن یک حرکت واکنشی ناگهانی و خطرناک است)، فوراً ابزار را خاموش کنید
- اگر از ابزار در مواردی استفاده می کنید که امکان دارد متعلقات و ملحقات آن با سیم های پنهان شده یا سیم برق خود ابزار تماس پیدا کنند، حتماً باید ابزار را از جای دست های مخصوص عایق‌داران بگیرید (ماس با سیم های «برق دار» می تواند در بخش های فلزی دستگاه نیز جریان برق تولید کرده و برق گرفتگی ایجاد کند)
- در صورت بروز اشکالات برقی یا مکانیکی، فوراً ابزار را خاموش کرده و سیم برق آنرا از پریز بکشید
- اگر سیم برق آسیب دیده یا بریده شده باشد، هرگز به سیم دست نزنید. اما فوراً آنرا از پریز بکشید

بعد از استفاده

- وقتی که کار شما با برار تمام شد، حتماً موتور آنرا خاموش کرده و مطمئن شوید که تمام بخشهای متحرک آن از حرکت ایستاده اند

استفاده

- روشن‌خاموش 4
- ضامن برای کار پیوسته 5
- کنترل دور برای شروع بکار ملایم 1
- کنترل حداکثر دور 7
- با چرخ C می توان حداکثر دور را از کم به زیاد تنظیم کرد
 - ابزار را روشن کنید
 - ضامن کلید را بزنید
 - برای انتخاب دور حداکثر، چرخ C را بگردانید
- تغییر جهت چرخش 8
- کلید A 9 در صورتی که درست در وضعیت چپ‌راست تنظیم نشده باشد، فعال نخواهد شد
- فقط زمانی جهت چرخش ابزار را عوض کنید که ابزار در حالت توقف کامل باشد
- مته کاری عادی در مقایسه با مته کاری ضربه ای 9
 - نشانگر F قابلیت دریل انتخاب شده را نشان می دهد
- فقط موقعی که ابزار خاموش و سیم برق آن کشیده شده است عملکرد مته انتخاب کنید
- عوض کردن سرمته 10
 - سرمته را تا جایی که امکان دارد بیشتر در سرنظام داخل کنید
- اگر سابقه سرمته آسیب دیده است نباید از آن استفاده کنید
- تنظیم عمق مته کاری 11
- نگهداشتن و هدایت ابزار 12
- هنگام کار باید همیشه ابزار را از جا(های) دست خاکستری رنگ بگیرید
- همیشه از دسته کمکی استفاده کنید 13 (مطابق شکل قابل تنظیم است)
- شیارهای تپه‌وی 14 را مسدود نکنید
- فشار بیش از حد به ابزار وارد نکنید؛ بگذارید ابزار به جای شما کار کند

توصیه های کاربردی

- از سرمته های مناسب استفاده کنید 15
- فقط از سرمته های تیز استفاده کنید

الوضوء/الاهتزاز

- عند القياس بالتوافق مع EN 1.0.745 يكون مستوى ضغط صوت هذه الأداة هو 94 ديسيبل (أ) ومستوى طاقة الصوت 1.5 ديسيبل (أ) الانحراف المعياري 3؛ (ديسيبل).
- والاهتزاز * (طريقة اهتزاز اليد: K غير مؤكد 1,5 م/ث²)؛
- * عند ثقب المعدن 3,0 م²
- * عند الثقب الصدمي للخرسانة 13,2 م²
- تم قياس مستوى الاهتزازات بالتوافق مع الاختيار المعياري المحدد في EN 1.0.745؛ يمكن استخدامه لمقارنة أداة بأداة أخرى وتقييم تعديدهم للتعرض للاهتزاز عند استخدام الأداة في التطبيقات الموضحة:
- قد يؤدي استخدام الأداة في تطبيقات مختلفة أو مع ملحقات مختلفة أو ذات صيانة رديئة إلى زيادة مستوى التعرض بصورة كبيرة؛
- إن الفترة الزمنية التي يتم خلالها إيقاف تشغيل الأداة أو عندما تكون قيد التشغيل لكنها لا تؤدي أية مهام، تؤدي إلى تقليل مستوى التعرض بصورة كبيرة؛
- ! قم بحماية نفسك من تأثيرات الاهتزاز من خلال صيانة الأداة وملحقاتها. والحفاظ على يديك دافئتين وتنظيم أعطاك العمل لديك؛



مته ضربه ای

- 12171/12190
- مقدمه
- این ابزار برای مته کاری ضربه ای در آجر، بتن و سنگ و نیز برای برای مته کاری چوب، فلزات، سرامیک و پلاستیک طراحی شده است
- این ابزار برای مصارف حرفه ای مناسب نیست
- لطفاً این دفترچه راهنما را مطالعه کرده و نگهدارید ۲

اطلاعات فنی 1

اجزای ابزار 2

- A کلید روشن/خاموش و کنترل دور
- B ضامن قفل کننده
- C چرخ کنترل حداکثر دور
- D کلید تغییر جهت چرخش
- E کلید انتخاب عملکرد مته
- F نشانگر قابلیت دریل انتخاب شده
- G دسته کمکی
- H عمق سنج
- J شیارهای تهویه

ایمنی

راهنمای ایمنی عمومی

⚠ هشدار! همه دستورات ایمنی و راهنمای ها را بخوانید. اشتباهات ناشی از عدم رعایت این دستورات ایمنی ممکن است باعث برق گرفتگی، سوختگی و یا سایر جراحات های شدید شود. همه هشدار های ایمنی و راهنمای ها را برای آینده خوب نگهداری کنید. هر جا در این راهنما از «ابزار الکتریکی» صحبت میشود. منظور ابزارهای الکتریکی (باسیم برق) و یا ابزارهای الکتریکی باطری دارد (بدون سیم برق) می باشد.

1) ایمنی محل کار

- 1) محل کار خود را تمیز، مرتب و مجهز به نور کافی نگهدارید. محیط کار نامرتب و کم نور میتواند باعث سوانح کاری شود.
- ب) با ابزار الکتریکی در محیط هایی که در آن خطر انفجار وجود داشته و حاوی مایعات، گازها و غبارهای محترقه باشد. کار نکنید. ابزارهای الکتریکی جرقه هایی ایجاد می کنند که می توانند باعث آتش گرفتن گرد و بخار های موجود در هوا شوند.
- ت) هنگام کار با ابزار الکتریکی، کودکان و سایر افراد را از دستگاه دور نگهدارید. در صورتیکه حواس شما پرت شود. ممکن است کنترل دستگاه از دست شما خارج شود.

2) ایمنی الکتریکی

- 1) دوشاخه ابزار الکتریکی باید با پریز برق تناسب داشته باشد. هیچگونه تغییری در دوشاخه ندهید. مبدل دوشاخه نباید همراه با ابزار الکتریکی دارای اتصال به زمین (ارت شده) استفاده شود. مبدل دوشاخه نباید همراه با ابزار الکتریکی دارای اتصال به زمین (ارت شده) استفاده شود.
- ب) از تماس بدنی با قطعات دارای سیم اتصال به زمین (ارت شده) مانند لوله، شوفاژ، اجاق برقی و یخچال خود داری کنید. در صورتیکه بدن شما با سیم دارای اتصال به زمین (ارت شده) تماس پیدا کند، خطر برق گرفتگی بیشتر خواهد شد.
- ت) دستگاه را از باران و رطوبت دور نگهدارید. نفوذ آب به ابزار الکتریکی، خطر شوک الکتریکی را افزایش می دهد.
- ث) از سیم به درستی استفاده کنید. از سیم دستگاه برای کارهایی چون حمل ابزار الکتریکی، آویزان کردن آن و یا خارج کردن دوشاخه از برق استفاده نکنید. دستگاه را در مقابل حرارت، روغن، لیه های تیز و بخش های متحرک دستگاه دور نگهدارید. کابل های آسیب دیده و یا گره خورده خطر شوک الکتریکی را افزایش می دهد.
- ج) در صورتیکه با ابزار الکتریکی در محیط باز کار می کنید، تنها از کابل را بطی استفاده کنید که برای محیط باز نیز مناسب باشد. کابل های رابط مناسب برای محیط باز، خطر برق گرفتگی را کم می کنند.
- ح) در صورت لزوم کار با ابزار الکتریکی در محیط و اماکن مرطوب، در اینصورت باید از یک کلید حفاظتی جریان خطا و نشستی زمین (کلید قطع کننده اتصال با زمین) استفاده کنید. استفاده از کلید حفاظتی جریان خطا و نشستی زمین خطر برق گرفتگی را کمتر می کند.

3) رعایت ایمنی اشخاص

- 1) حواس خود را خوب جمع کنید. به کار خود دقت کنید و با فکر و هوش کامل با ابزار الکتریکی کار کنید. در صورت خستگی و یا در صورتیکه مواد مخدر، الکل و دارو استفاده کرده اید، با ابزار الکتریکی کار نکنید. یک لحظه بی توجهی هنگام کار با ابزار الکتریکی، میتواند جراحات های شدیدی به همراه داشته باشد.
- ب) همواره از تجهیزات ایمنی شخصی استفاده کنید. همواره از عینک ایمنی استفاده کنید. استفاده از تجهیزات ایمنی مانند ماسک ایمنی کشش های ایمنی ضد لغزش، کلاه ایمنی و گوشی ایمنی متناسب با نوع کار با ابزار الکتریکی، خطر مجروح شدن را تقلیل می دهد.
- ت) مواظب باشید که ابزار الکتریکی بطور ناخواسته بکار نیفتد. قبل از وارد کردن دوشاخه دستگاه در پریز برق، اتصال آن به باطری، برداشتن آن و یا حمل دستگاه، باید دقت کنید که ابزار الکتریکی خاموش باشد. در صورتیکه هنگام حمل دستگاه انگشت شما روی دکمه قطع و وصل باشد و یا دستگاه را در حالت روشن به برق بزنید، ممکن است سوانح کاری پیش آید.
- ث) قبل از روشن کردن ابزار الکتریکی، باید همه ابزار های تنظیم کننده و آچار ها را از روی دستگاه بردارید. ابزار آچارهایی که روی بخش های چرخنده دستگاه قرار دارند، می توانند باعث ایجاد جراحات شوند.
- ج) بیش از حد به آنها نزدیک نشوید. برای کار جای مطمئن برای خود انتخاب کرده و تعادل خود را همواره حفظ کنید. به این ترتیب می توانید ابزار الکتریکی را در وضعیت های غیر منتظره بهتر تحت کنترل داشته باشید.
- ح) لباس مناسب بپوشید. از پوشیدن لباس های فراخ و حمل زینت آلات خود داری کنید. موها، لباس و دستکش ها را از بخش های درحال چرخش دستگاه دور نگهدارید. لباس های فراخ، موی بلند و زینت آلات ممکن است در قسمت های درحال چرخش دستگاه گیر کنند.
- خ) در صورتیکه می توانید وسایل مکش گرد و غبار و یا وسیله جذب زائده را به دستگاه نصب کنید، باید مطمئن شوید که این وسایل نصب و درست استفاده می شوند. استفاده از وسایل مکش گرد و غبار مصونیت شما را در برابر گرد و غبار زیاد تر نمی کند.

- استخدم مقبض (مقباض) مساعد، إذا كانت مزودة مع الأداة (قد يتسبب فقدان التحكم في حدوث إصابة شخصية)
- استخدم أسلاك عميد مفكوكة تماماً وأمنة سعة ١٦ أمبير (١٣ أمبير في بريطانيا العظمى)
- لا تعمل باستخدام مواد تشتمل على الأسبستوس (يعتبر الأسبستوس مادة مسرطنة)؛
- الغبار الناتج من المواد كالطلاء الذي يحتوي على رصاص وبعض أنواع الأخشاب والمعادن والمكونات المعدنية قد يكون ضاراً (ملازمة) أو استنشاق الغبار قد يتسبب في إصابة المشغل أو من يجاوره بأمراض الحساسية وأو أمراض الجهاز التنفسي؛ قم بارتداء قناع للغبار مع العمل باستخدام جهاز شغف للغبار، طالما أمكن توصيله
- ثمة أنواع معينة من الغبار تُصنّف على أنها مواد مسببة للسرطان (مثل غبار خشب البلوط والزنان) خاصة عند استخدامها مع مواد مضافة لمعالجة الخشب؛ قم بارتداء قناع للغبار مع العمل باستخدام جهاز شغف للغبار، طالما أمكن توصيله
- التزم بالمتطلبات الوطنية الخاصة بالغبار عند العمل باستخدام المواد المطلوبة قبل الاستخدام
- تأكد دائماً من أن الفولت الزود هو نفسه المشار إليه على اللوحة الخاصة بالأداة (يكن كذلك توصيل الأدوات ذات التصنيف ٢٣٠ فولت أو ٢٤٠ فولت بمصدر إمداد ٢٢٠ فولت)؛
- جنب التلف الذي قد يتسبب فيه البراغي والمسامير والعناصر الأخرى الموجودة في القطعة التي تعمل بها. قم بفكهم قبل بدء العمل؛
- استخدم كاشفات ملائمة للمعزور على خط المرافق أو اطلب شركة المرافق المحلية للحصول على مساعدة (التلامس مع خطوط إمداد الكهرباء قد يؤدي إلى حدوث حريق أو صدمة كهربائية؛ وتلف خط الغاز قد يؤدي إلى حدوث انفجار؛ واخلق أنابيب المياه سيترسب في حدوث ضرر في الممتلكات أو صدمة كهربائية)؛
- ثبت قطعة العمل (الإسماك) بقطعة عمل مثبتة بأجهزة تثبيت أو في ملازمة أكثر أمناً من مسكها باليد؛
- يحظر نهائيًا استخدام الأداة في حالة تلف السلك، بل قم باستبداله من قبل أحد الأفراد المؤهلين

الملحقات

- تضمن SKIL التشغيل السليم للأداة فقط عند استخدام الملحقات الأصلية؛ استخدم فقط الملحقات بالسرعة المسموح بها، والتي توافق على الأقل أعلى سرعة للأداة بدون حمل؛
- أثناء الاستخدام
- احتفظ بالسلك بعيداً عن الأجزاء المتحركة بالأداة؛
- إذا تعرض سن المثقاب لاحتشاش غير متوقع (مسيباً رد فعل مفاجئ وخطير)، قم بإيقاف تشغيل المثقاب على الفور؛
- لا تعمل أداة الطاقة إلا باستخدام أسطح عازلة للقيض عند إجراء أية عملية يكون فيها أحد الملحقات متصلاً بسلك مخفي أو بسلك الطاقة الخاص بهذه الأداة (حيث إن التوصيل بسلك متصل بالكهرباء قد يعرض الأجزاء المعدنية لأداة الطاقة إلى أن تصبح مشحونة بالكهرباء وبالتالي يتعرض المشغل للصدمة الكهربائية)؛
- في حالة حدوث خلل كهربائي أو ميكانيكي، أوقف تشغيل الأداة فوراً وافصل القابس؛
- في حالة تعرض السلك للتلف أو لقطع أثناء العمل، لا تلمس السلك وافصل القابس فوراً
- بعد الاستخدام
- عندما تضع الأداة جانباً، أوقف تشغيل المحرك وتأكد من توقف جميع الأجزاء المتحركة بشكل تام

الاستخدام

- التشغيل/إيقاف التشغيل ⑧
- تأمين المفتاح للاستخدام المتواصل ⑨
- التحكم بالسرعة لبدء التشغيل للسلس ⑩
- التحكم بالسرعة القصوى ⑪
- باستخدام العجلة C يمكن ضبط السرعة القصوى من منخفضة إلى عالية
- شغل الأداة؛
- اقلل المفتاح؛
- أدر العجلة C لتحديد السرعة القصوى؛

- تغيير اتجاه الدوران ①
- لا يمكن تشغيل مفتاح A ② عندما لا يتم ضبطه على الوضع يسار/يمين بشكل صحيح؛
- لا يتم تغيير اتجاه الدوران إلا عند توقف حركة الأداة تماماً؛
- ثقب عمق مقابل ثقب صدمي ③
- يوضح الموضع F الوظيفة المحددة للثقب؛
- لا يتم تحديد وظيفة الثقب الصدمي إلا عند إيقاف تشغيل الأداة وفصل القابس
- تغيير السنون ④
- أدخل السن في طرف المثقاب إلى أكبر عمق ممكن؛
- يُحظر استخدام السنون مع ساق تدوير تالف
- ضبط عمق الثقب ⑤
- إمساك الأداة وتوجيهها ⑥
- أثناء العمل، امسك الأداة دائماً من منطقة (مناطق) المقبض مرادية اللون؛
- استخدم دائماً المقبض المساعد G ⑦ (يكن ضبطه كما هو موضح في الشكل)؛
- احرص على أن تكون فتحات التهوية ل ⑧ غير مغطاة؛
- لا تضغط بشدة على الأداة، بل ارتكها تقوم بالعمل من أجلك؛

توصيات الاستخدام

- استخدام السنون الملائمة ⑨
- لا يُستخدم سوى سنون حادة
- لثقب الخرسانة والحجارة لايد من توافر ضغط ثابت بالمثقاب
- عند ثقب معادن حديدية
- عند الحاجة لثقب فتحة كبيرة، قم بعمل ثقب خضيري لفتحة صغيرة
- قم بتزليق سن المثقاب من حين لآخر بالزيت
- ثقب بدون تشنيط في الخشب ⑩
- ثقب بدون غبار في الجدران ⑪
- ثقب بدون غبار في الأسقف ⑫
- ثقب في البلاط بدون ارتلاق ⑬
- لمزيد من النصائح زر موقعنا www.skil.com

الصيانة / الخدمة

- لم يتم تصميم هذه الأداة للاستخدام الاحترافي؛
- احرص دائماً على نظافة الأداة والسلك (وخصوصاً فتحات التهوية ل ⑭)؛
- أفضل القابس قبل التنظيف
- إذا تعذر تشغيل الأداة على الرغم من الحذر الشديد في إجراءات التصنيع والاختبار، فيجب القيام بالإصلاحات بواسطة مركز خدمة ما بعد البيع لأدوات الطاقة التابع لشركة SKIL؛
- قم بإرسال الأداة دون تفكيكها بالإضافة إلى إثبات الشراء إلى البائع أو أقرب محطة خدمة SKIL؛
- www.skil.com

البيئة المحيطة

- لا تتخلص من الأدوات الكهربائية والملحقات ومواد التغليف مع النفايات المنزلية (لدول الاتحاد الأوروبي فقط)؛
- وفقاً للتوجيه الأوروبي 2002/96/EC حول نفايات المعدات الكهربائية والإلكترونية وتطبيقه بالتوافق مع القانون المحلي، يجب جمع الأدوات الكهربائية منتهية الصلاحية بشكل منفصل وإرسالها إلى أحد منشآت إعادة التصنيع التوافقية مع البيئة؛
- سيدترك الرمز ⑮ بهذا عند الحاجة إلى التخلص من أية أداة؛

إعلان توافق CE

- نحن نقر على مسئوليتنا الخاصة أن المنتج الموضح في «البيانات الفنية» يتوافق مع المعايير أو المستندات المعيارية التالية EN ٦٠٧٤٥ و EN ١١٠٠٠ و EN ٥٥٠١٤ و EN ٢٠١١٦٥/EC و ٢٠٠٧/٤٢٠/EC و ٢٠٠٤/١٠٠٠/EC

مقدمة

- تم تصميم هذه الأداة للنقب الصدمي في الطوب والخرسانة والحجارة ولتقريب الأخشاب والعمد والسيروميك والبلاستيك؛
- لم يتم تصميم هذه الأداة للاستخدام الاحترافي؛
- اقرأ دليل التعليمات هذا واحتفظ به (٢)

البيانات الفنية (١)

مكونات الأداة (٢)

- | | |
|---|---|
| A | مفتاح للتشغيل/الإيقاف والتحكم في السرعة |
| B | زر لقفل المفاتيح |
| C | عجلة للتحكم في السرعة القصوى |
| D | مفتاح لتغيير اتجاه الدوران |
| E | مفتاح لتحديد وظيفة النقب |
| F | مبين ووظيفة النقب المحددة |
| G | مقبض مساعد |
| H | مقياس العمق |
| J | فتحات التهوية |

أمان

تعليمات السلامة العامة

⚠ **تحذير!** اقرأ جميع الملاحظات التحذيرية والتعليمات. إن ارتكاب الأخطاء عند تطبيق الملاحظات التحذيرية والتعليمات قد يؤدي إلى الصدمات الكهربائية. إلى نشوب الحرائق أو أو الإصابة بجروح خطيرة. احتفظ بجميع الملاحظات التحذيرية والتعليمات للمستقبل. يقصد بمصطلح "العدة الكهربائية" المستخدم في الملاحظات التحذيرية. العدة الكهربائية الموصولة بالشبكة الكهربائية (بواسطة كابل الشبكة الكهربائية) وأيضاً العدة الكهربائية الزودة بطارية (دون كابل الشبكة الكهربائية).

١) الأمان بمكان الشغل

- ١) حافظ على نظافة وحسن إضاءة مكان شغلك. الفوضى في مكان الشغل ومجالات العمل الغير مضاعة قد تؤدي إلى حدوث الحوادث.
- ٢) لا تشتغل بالعدة الكهربائية في محيط معرض خطر الانفجار والذي تتوفر فيه السوائل أو الغازات أو الأغبرة القابلة للإشتعال العدة الكهربائية تشكل الشرر الذي قد يتطاير فيشعل الأغبرة والأبخرة.
- ٣) حافظ على بقاء الأطفال وغيرهم من الأشخاص على بعد عندما تستعمل العدة الكهربائية. قد تفقد السيطرة على الجهاز عند التلهي.
- ٤) الأمان الكهربائي
 - ١) يجب أن يتقدم قاييس وصل العدة الكهربائية مع المقبس. لا يجوز تغيير القاييس بأي حال من الأحوال. لا تستعمل القوايس الهائية مع العدة الكهربائية المؤرضة تأريض وفائي. تخفض القوايس التي لم يتم تغييرها والمقابس الملائمة من خطر الصدمات الكهربائية.
 - ٢) تجنب ملامسة السطوح المؤرضة كالألنابيب وراياتورات التدفئة والمدافئ أو البرادات بواسطة جسمك. يزداد خطر الصدمات الكهربائية عندما يكون جسمك مريض.
 - ٣) أبعد العدة الكهربائية عن الأمطار أو الرطوبة. يزداد خطر الصدمات الكهربائية إن تسرب الماء إلى داخل العدة الكهربائية.
 - ٤) يجب عدم إساءة استخدام الكابل. لا تنسى استعمال الكابل لحمل العدة الكهربائية أو تعليقها أو لسحب القاييس من المقبس. حافظ على إبعاد الكابل عن الحرارة والزيت والحواف الحادة أو عن أجزاء الجهاز المتحركة. تزيد الكابلات التالفة أو المتشابكة من خطر الصدمات الكهربائية.
 - ٥) استخدم فقط كابلات التمديد الصالحة للاستعمال الخارجي أيضاً عندما تشتغل بالعدة الكهربائية في الخلاء. يخفض استعمال كابل تمديد مخصص للاستعمال الخارجي من خطر الصدمات الكهربائية.

ح) إن لم يكن بالإمكان عدم تشغيل العدة الكهربائية في الأجواء الرطبة. فاستخدم مفتاح للوقاية من التيار المتردد. إن استخدام مفتاح للوقاية من التيار المتردد يقلل خطر الصدمات الكهربائية.

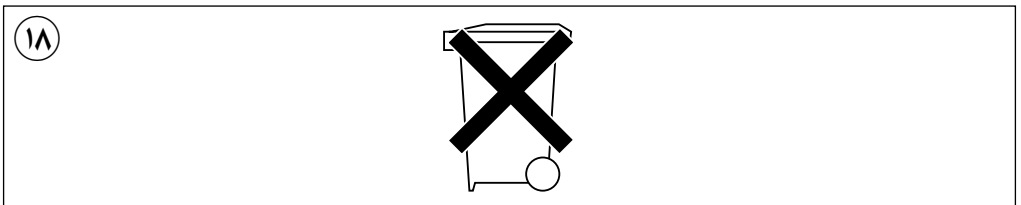
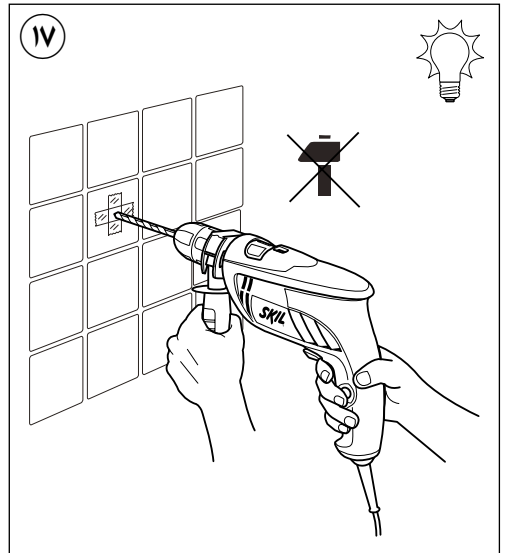
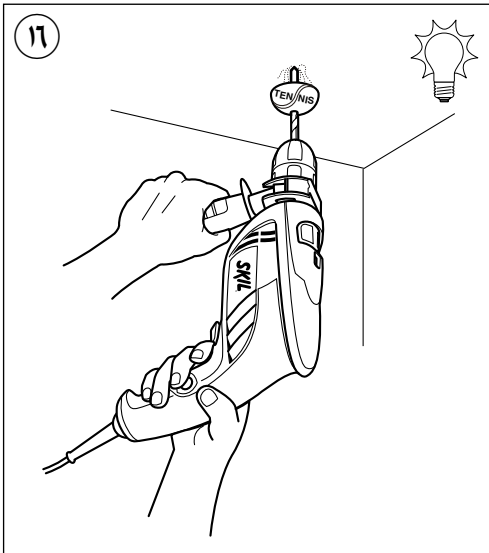
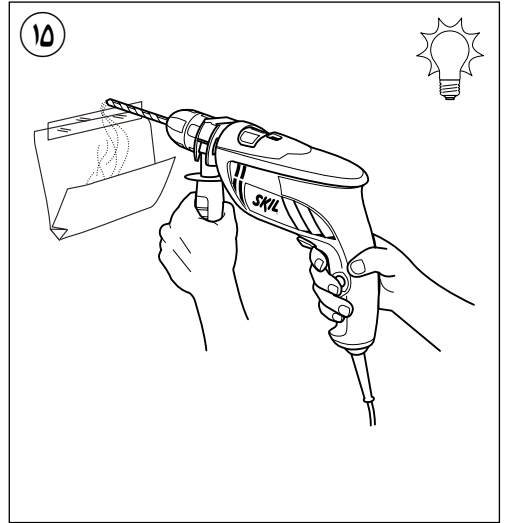
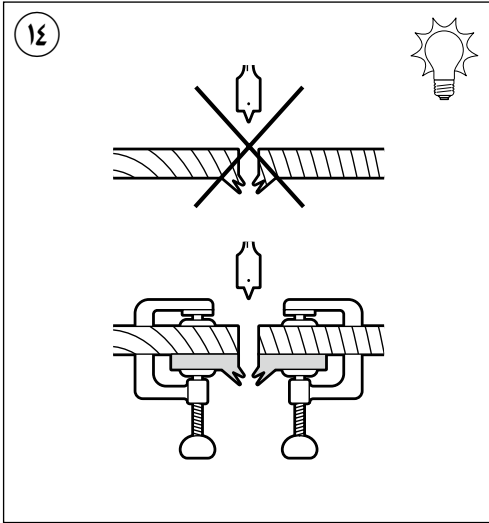
٣) أمان الأشخاص

- ١) كن يقظاً وأنتبه إلى ما تفعله وقم بالعمل بواسطة العدة الكهربائية بتعتقل. لا تستخدم عدة كهربائية عندما تكون متعب أو عندما تكون تحت تأثير المخدرات أو الكحول أو الأدوية. عدم الإبتناء للحظة واحدة عند استخدام العدة الكهربائية قد يؤدي إلى إصابة خطيرة.
 - ب) ارتد عتاد الوقاية من الغبار وأخذية الأمان الواقية من الإرتزاق والخوذ واقية الأذن. حسب نوع واستعمال العدة الكهربائية. من خطر الإصابة بجروح.
 - ٣) تجنب التشغيل بشكل غير مقصود. تأكد من كون العدة الكهربائية مطفأة قبل وصلها بإمداد التيار الكهربائي و/ أو بالمركم، وقيل رفعها أو حملها. إن كنت تضع إصبعك على المفتاح أثناء حمل العدة الكهربائية أو إن وصلت الجهاز بالشبكة الكهربائية عندما يكون قيد التشغيل. فقد يؤدي ذلك إلى حدوث الحوادث.
 - ٤) انزع عدد الضبط أو مفتاح الربط قبل تشغيل العدة الكهربائية. قد تؤدي العدة أو المفتاح المتواجد في جزء دوار من الجهاز إلى الإصابة بجروح.
 - ٥) تجنب أوضاع الجسم غير الطبيعية. قف بأمان وحافظ على توازنك دائماً. سيسمح لك ذلك من السيطرة على الجهاز بشكل أفضل في المواقف غير المتوقعة.
 - ٦) ارتد ملابس مناسبة. لا ترتدي الثياب الفضفاضة أو الخلي. حافظ على إبقاء الشعر والثياب والقفازات على بعد عن أجزاء الجهاز المتحركة. قد تتشابك الثياب الفضفاضة والخلي والشعر الطويل بالأجزاء المتحركة.
 - ٧) إن جاز تركيب جهاز شفط وجميع الغبار فتأكد من أنها موصولة وبأنه يتم استخدامها بشكل سليم. قد يقلل استخدام تجهيزات لشفط الأغبرة من المخاطر الناتجة عن الأغبرة.
 - ٨) حسن معاملة واستخدام العدة الكهربائية
 - ١) لا تفرط في تحميل الجهاز. استخدم لتنفيذ أشغالك العدة الكهربائية المخصصة لذلك. إنك تعمل بشكل أفضل وأكثر أماناً بواسطة العدة الكهربائية الملائمة في مجال الآاء للذكور.
 - ٢) لا تستخدم العدة الكهربائية إن كان مفتاح تشغيلها تالف. العدة الكهربائية التي لم تعد تنجح بتشغيلها أو بإطافئها خطيرة ويجب أن يتم تصليحها.
 - ٣) اسحب القاييس من المقبس و/ أو انزع المركم قبل ضبط الجهاز وقيل إستبدال التوابع أو قبل وضع الجهاز جانباً. تمنع إجراءات الاحتياط هذه تشغيل العدة الكهربائية بشكل غير مقصود.
 - ٤) احتفظ بالعدد الكهربائية التي لا يتم إستخدامها بعيداً عن متناول الأطفال. لا تسمح باستخدام العدة الكهربائية لمن لاخبرة له بها أو لمن لم يقرأ تلك التعليمات. العدة الكهربائية خطيرة إن تم استخدامها من قبل أشخاص دون خبرة.
 - ٥) اعن بالعدة الكهربائية بشكل جيد. تفحص عما إذا كانت أجزاء الجهاز المتحركة تعمل بشكل سليم وبأنها غير مستعصبة عن الحركة أو إن كانت هناك أجزاء مكسورة أو تالفة لدرجة تؤثر فيها على حسن أداء العدة الكهربائية. ينبغي تصليح هذه الأجزاء التالفة قبل إعادة تشغيل الجهاز. الكثير من الحوادث مصدرها العدد الكهربائية التي تم صيانتها بشكل ردي.
 - ٦) حافظ على إبقاء عدد القطع نظيفة وسادة. إن عدد القطع ذات حواف القطع الحادة التي تم صيانتها بعناية تتكليس بشكل أقل ولكن توجيهاها بشكل أيسر.
 - ٧) استخدم العدد الكهربائية والتوابع وعدد الشغل وإلخ حسب هذه التعليمات. تراعى أثناء ذلك شروط الشغل والعمل المراد تنفيذها. استخدام العدد الكهربائية لغير الأشغال المخصصة لأجلها قد يؤدي إلى حدوث الحالات الخطيرة.
 - ٩) الخدمة
 - ١) اسمح بتصليح عدتك الكهربائية فقط من قبل المتخصصين فقط وباستعمال قطع الغيار الأصلية. يؤمن ذلك الحافظ على أمان الجهاز.

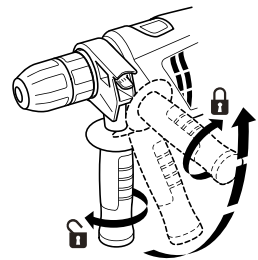
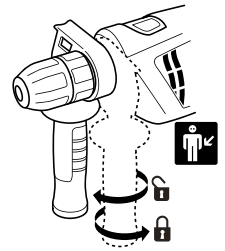
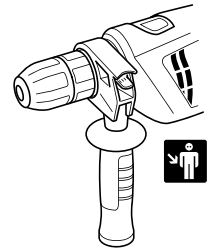
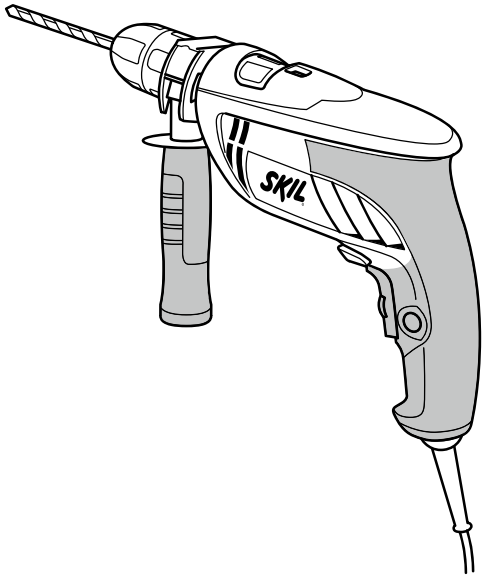
تعليمات السلامة الخاصة بالمثابب الصدمية

معلومات عامة

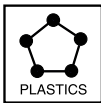
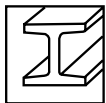
- لا يجب استخدام هذه الأداة من قبل الأشخاص الأقل من ١٦ عام؛
- احرض دائماً على فصل القاييس من مصدر الطاقة قبل القيام بأية عمليات ضبط أو تغيير أية ملحقات؛
- قم بإرتداء واقيات أذن (التعرض للضوضاء من الممكن أن يؤدي إلى فقدان حاسة السمع)



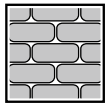
12

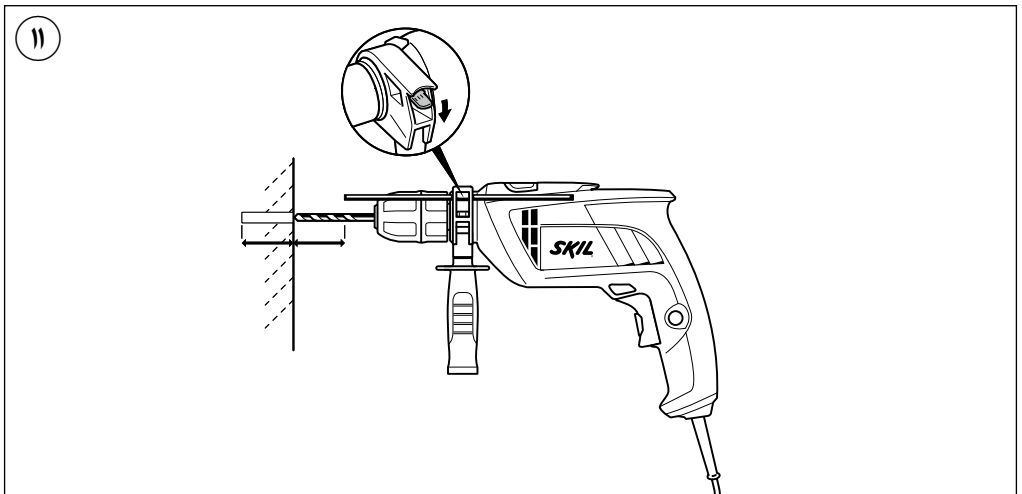
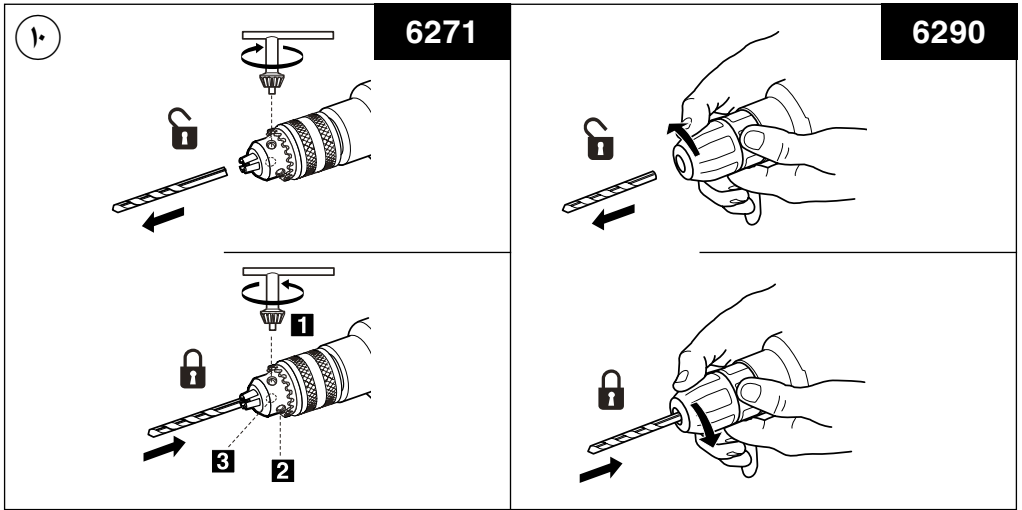
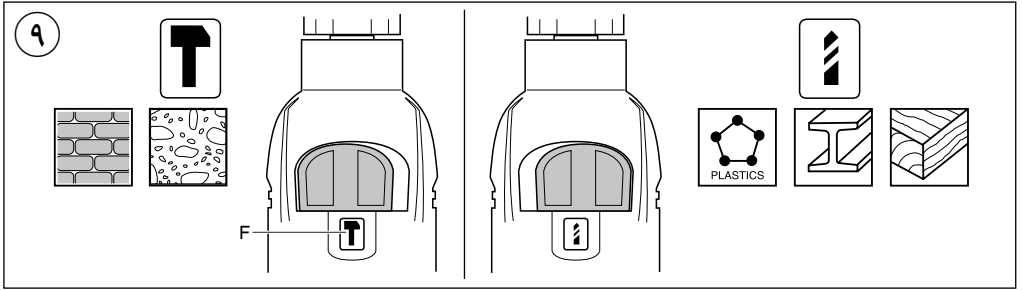


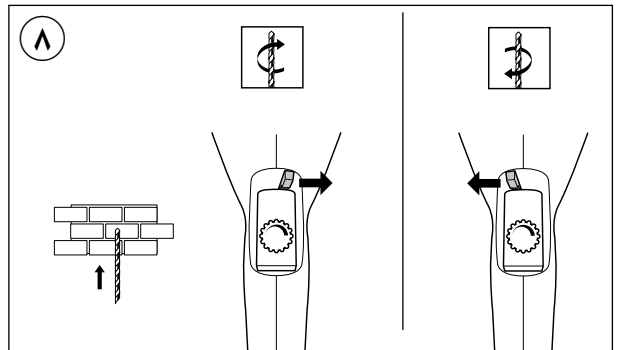
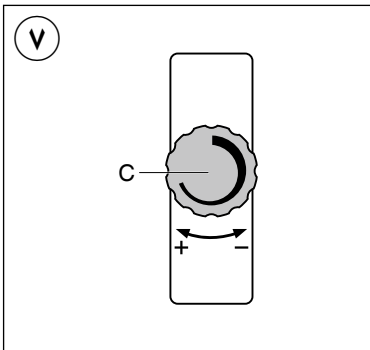
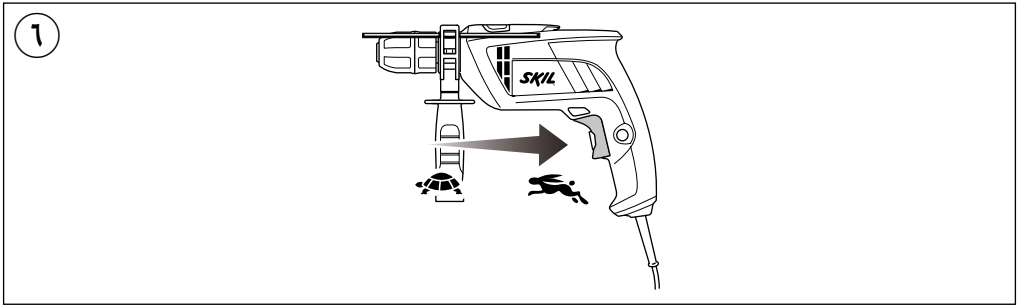
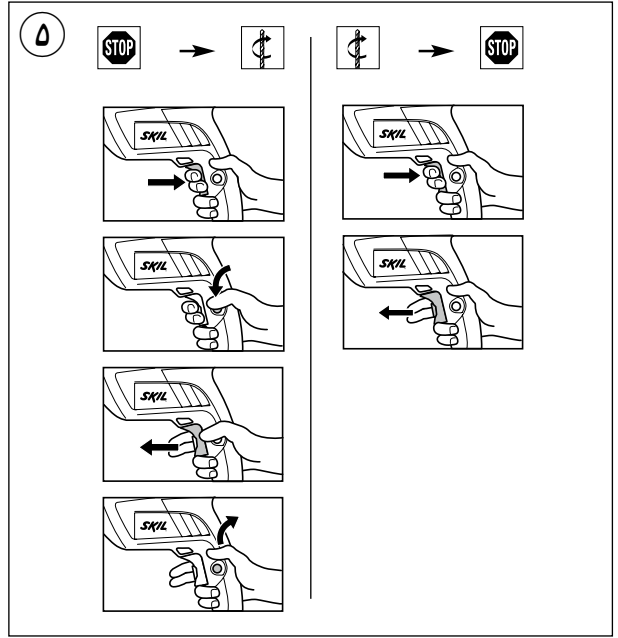
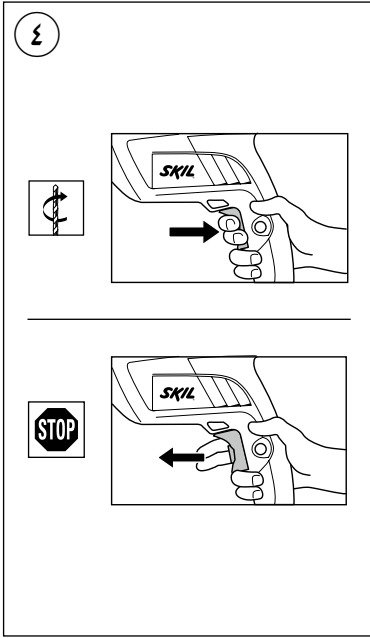
13



HSS










1

6271

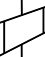
710
Watt


1,7 kg
EPTA 01/2003


n₀
0-2700
/min


1,5-
13 mm


13 mm


16 mm



35 mm



0-43200
p/min


220
-
240
V~
50-60 Hz

6290


710
Watt


1,7 kg
EPTA 01/2003


n₀
0-2700
/min


2 -
13 mm


13 mm

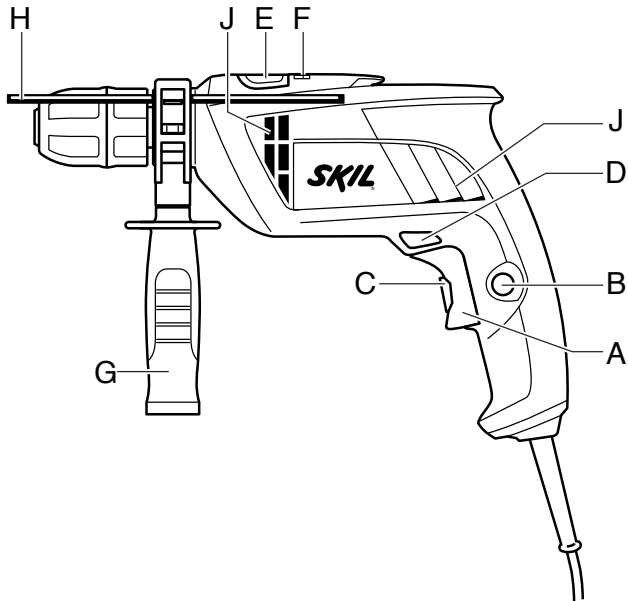

16 mm


35 mm


0-43200
p/min

220
-
240
V~
50-60 Hz

2

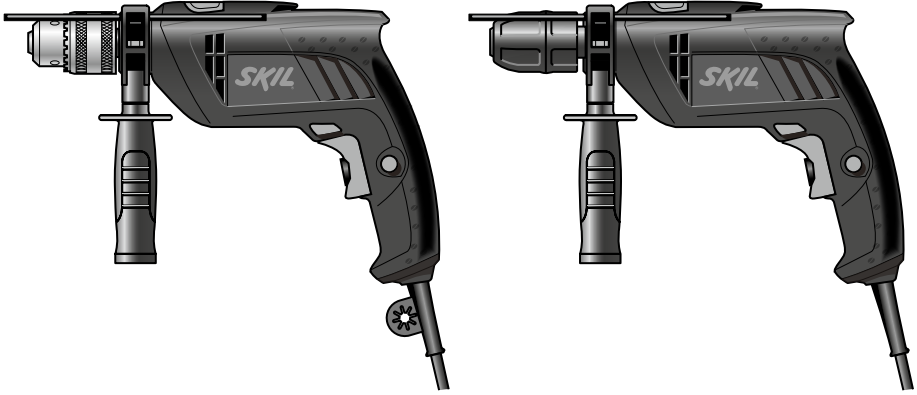


3



مثقاب مطرقي
6271/6290

SKIL



دليل الاستعمال راهنماي اصلي

AR

FA



2610Z05167

07/13

سكيل أوروبا ب.د.ق. - كونينانبرج 60
4825 ب.د. بريدا - هولندا



Сертификат о соответствии
KZ.7500052.22.01.00066
Срок действия сертификата о соответствии
по 09.07.2018
ТОО «Центр Сертификации продукции и услуг»
г. Алматы, ул Кабанбай батыра,
уг. Калдаякова 51/78