

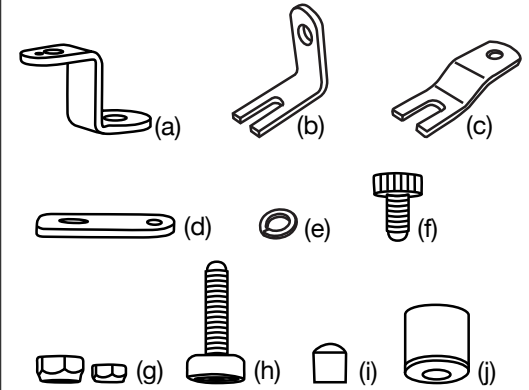
## Seat Bolt | Bolt Mount

There are three different mounting options that can be utilized for securing the mount to a vehicle bolt. There are a few things to consider when choosing the best location for the bolt mount. The arm at the base of the mount should run perpendicular to the vehicle floor. This provides ultimate support of the mount. Included are three bolt brackets along with a base that should be utilized to accomplish this.

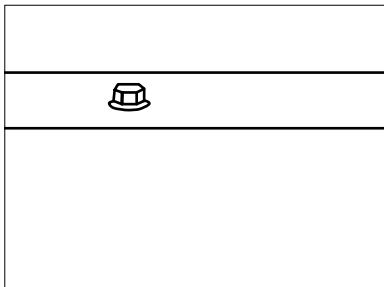
Choose the best option based on the hardware in the vehicle while ensuring configuration provides optimal mount stability.

### Package Contents:

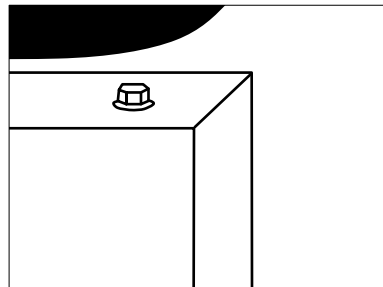
- (a) 45° bracket x1
- (b) 90° bracket x1
- (c) 180° bracket x1
- (d) support bracket x1
- (e) washer x1
- (f) screw x1
- (g) screw nuts x2
- (h) support foot x1
- (i) support foot cap x1
- (j) base x1



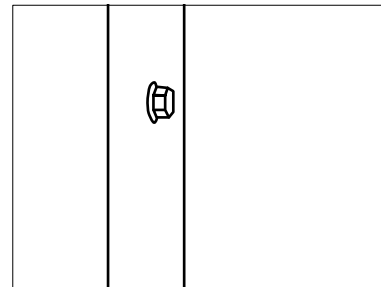
### Choose a location



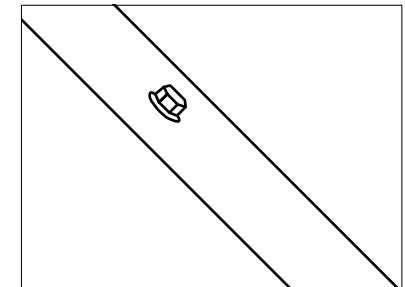
**Flat Horizontal Surface:** Follow Mounting Option 1 on page 2.



**Flat Horizontal Surface Obstructed Bolt:** Follow Mounting Option 2 on page 2.



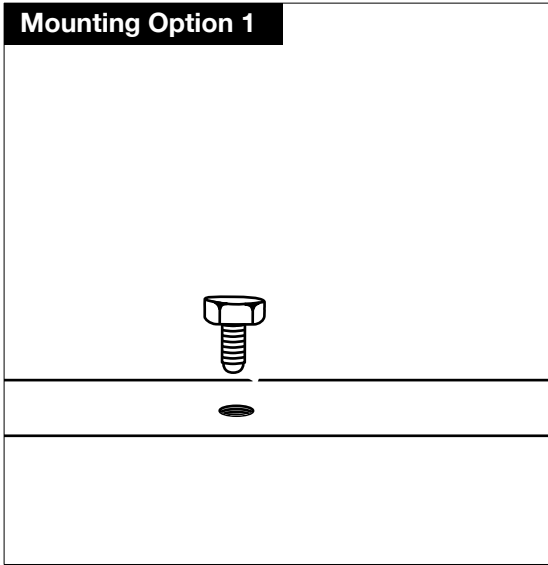
**Flat Vertical Surface:** Follow Mounting Option 3 on page 3.



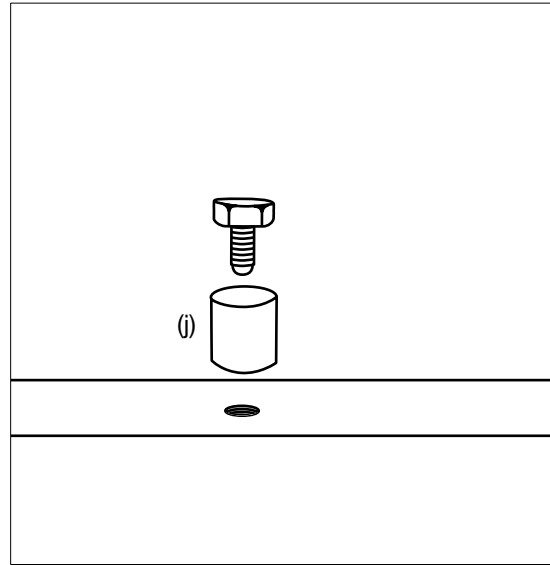
**Angled Surface:** Follow Mounting Option 4 on page 3.

# MOUNT INSTALLATION

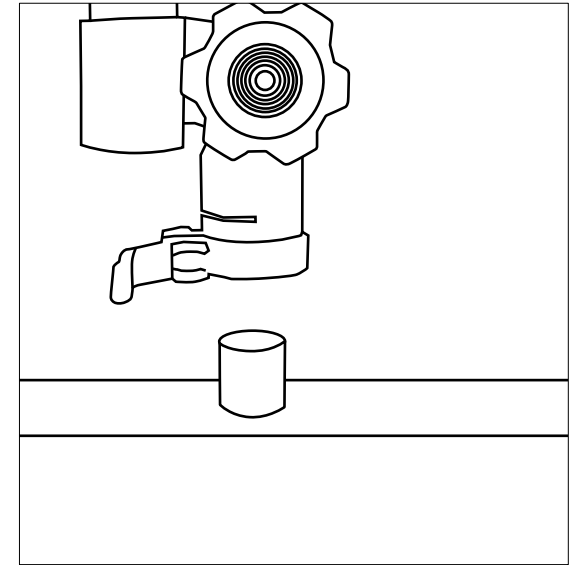
## Mounting Option 1



**Remove Vehicle Bolt:** Remove the bolt from the vehicle.

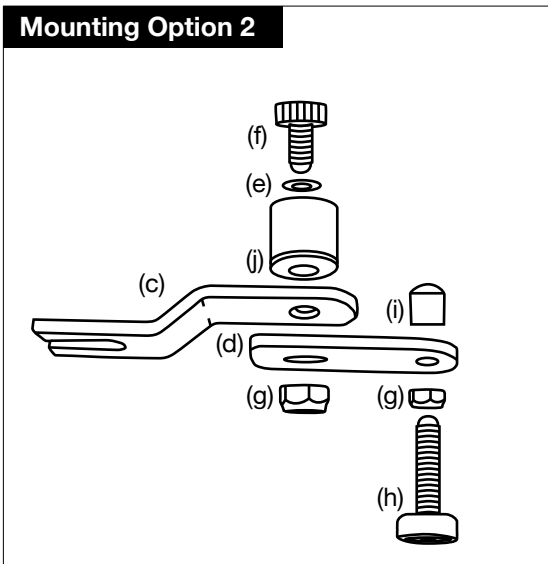


**Secure Base Using Vehicle Bolt:** Replace bolt while securing the base (j).

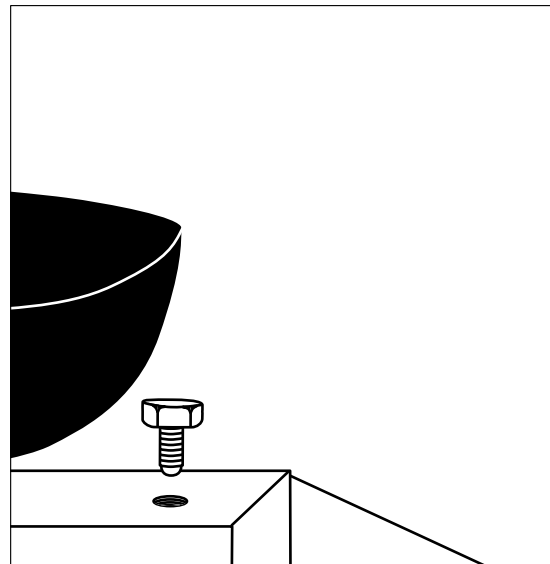


**Attach Mount to Base:** Place mount over base and secure by turning latch.

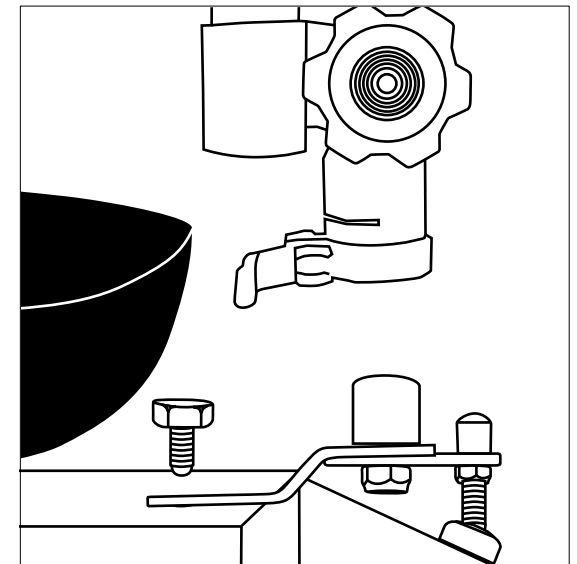
## Mounting Option 2



**Secure Base to 180° Bracket:** Assemble bracket according to diagram above. The extended bracket (d, i, g, h) can be utilized to add additional support. Ensure connection is tight.

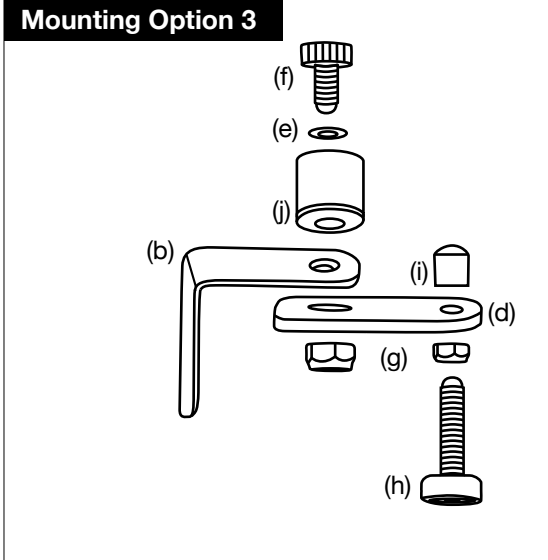


**Remove Vehicle Bolt:** Remove the bolt from the vehicle.

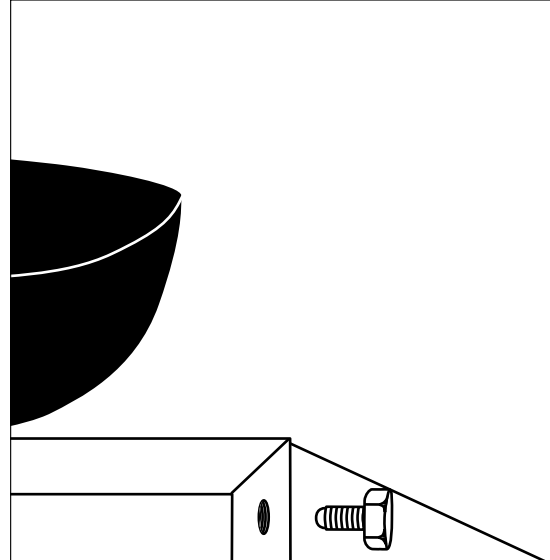


**Attach Bracket with Bolt & Mount to Base:** Replace the bolt while securing the bracket. Place mount over base and secure by turning latch.

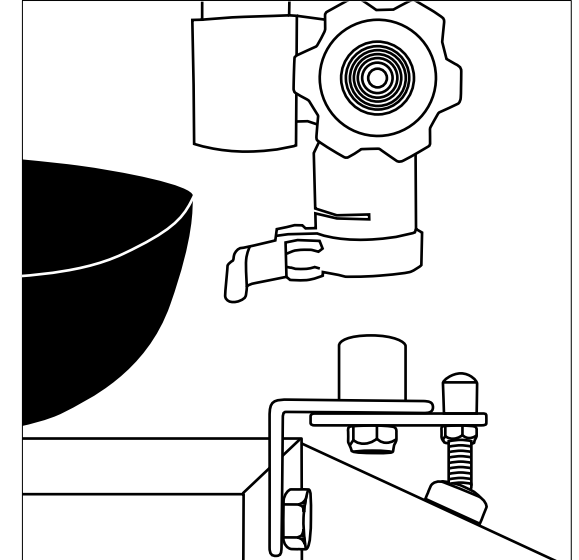
## Mounting Option 3



**Secure Base & Support Bracket to 90° Bracket:**  
Assemble bracket according to diagram above. The extended bracket (d, i, g, h) can be utilized to add additional support. Ensure connection is tight.

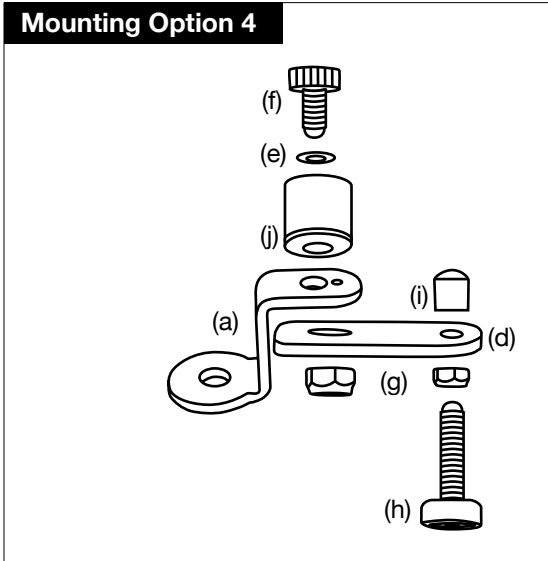


**Remove Vehicle Bolt:** Remove the bolt from the vehicle.

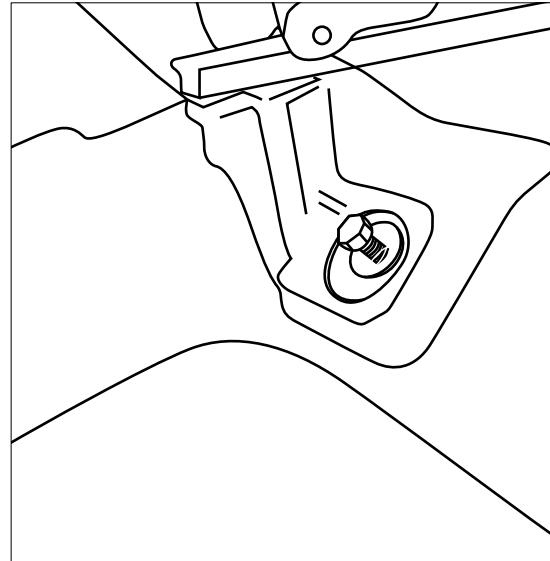


**Attach Bracket with Bolt & Attach Mount to Base:**  
Replace the bolt while securing the bracket. Place mount over base and secure by turning latch.

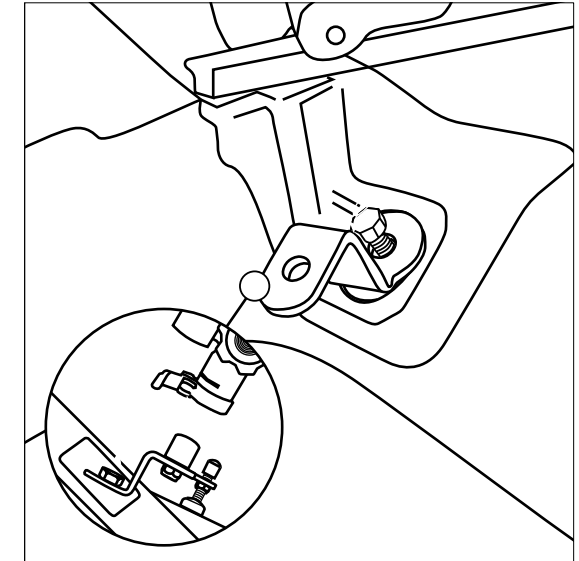
## Mounting Option 4



**Secure Base & Support Bracket to 45° Bracket:**  
Assemble bracket according to diagram above. The extended bracket (d, i, g, h) can be utilized to add additional support. Ensure connection is tight.



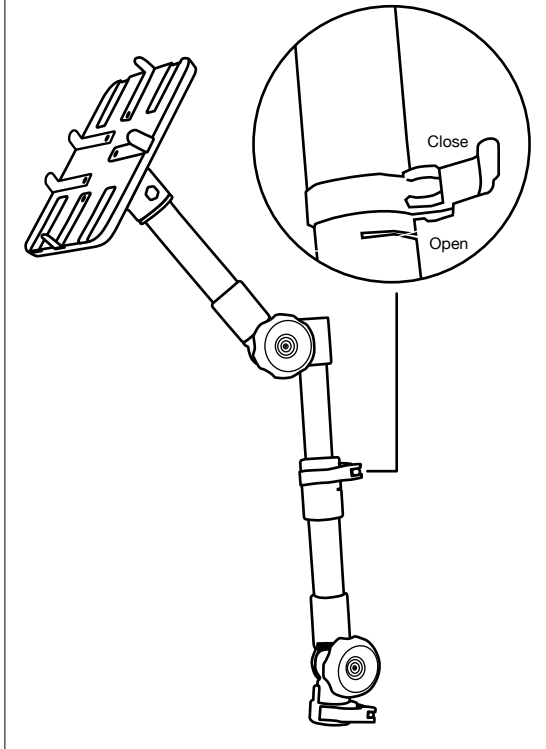
**Remove Vehicle Bolt:** Remove the bolt from the vehicle.



**Attach Bracket with Bolt & Attach Mount to Base:**  
Replace the bolt while securing the bracket. Place mount over base and secure by turning latch.

# ADJUSTABLE TRAY INSTALLATION

## Extending & Rotate



**Extend & Rotate Arms:** Release latch by pulling it away from the mount arm. Once released pull middle joint upward until it has reached desired position. Secure position by turning latch to locking position. To rotate the arms & tray turn knobs at adjust to your liking. Tighten knobs to secure.

## Caution

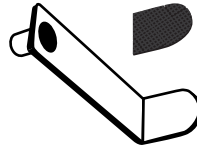
Ensure all screws and knobs are securely fastened to prevent unwanted shifting.

Not for use while operating vehicle.

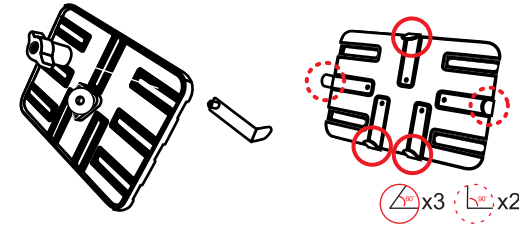
For safety reasons place mount a safe distance from airbags.

## Attach Brackets to Tray

### Step 1

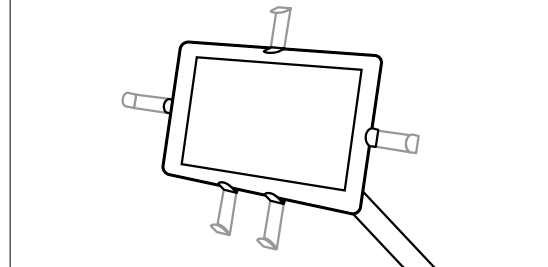


### Step 2



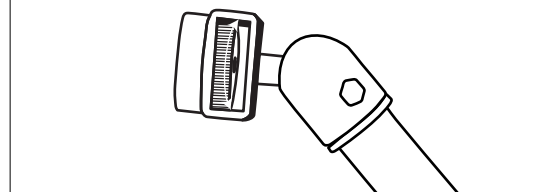
**Attach Brackets to Tray:** Step 1: Attach rubber pads to bracket tip. Step 2: Attach brackets to tray.

## Use Tray with Device



**Secure Device to Tray:** Extend brackets fully and place device onto tray. Secure brackets tightly to edge of device ensuring a tight connection.

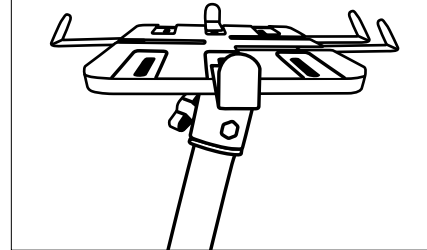
## Secure Holder to Mount



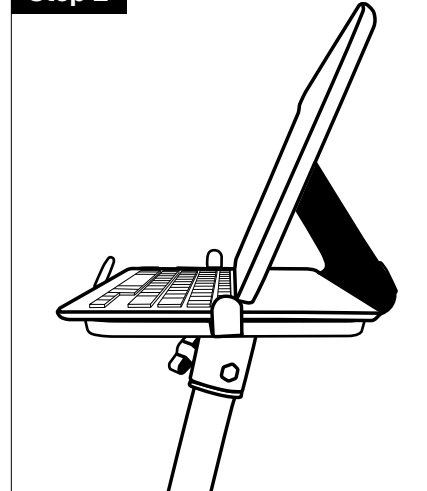
**Secure Holder to Mount:** Turn red dial to secure.

## Use Tray for Keyboard Case

### Step 1



### Step 2



**Secure Keyboard on Tray.** Step 1: Place tray in a flat position. Fully expand brackets. Step 2: Place keyboard on top of tray. Secure brackets tightly to edge of keyboard ensuring a tight connection.

## Support

For questions or concerns please contact us at:

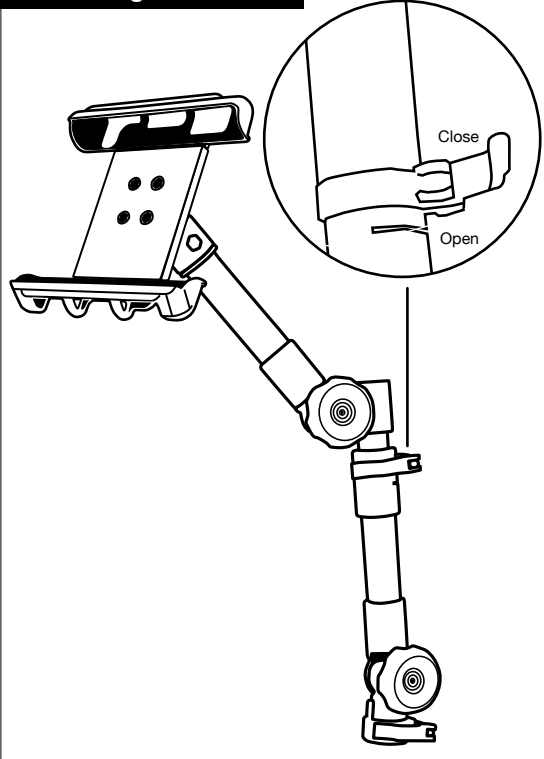
**Customer Service Support**

Toll Free: +1.877.JOY.FACT (877.569.3228)

support@thejoyfactory.com

# SPRING LOADED TRAY INSTALLATION

## Extending & Rotate



**Extend & Rotate Arms:** Release latch by pulling it away from the mount arm. Once released pull middle joint upward until it has reached desired position. Secure position by turning latch to locking position. To rotate the arms & tray turn knobs at adjust to your liking. Tighten knobs to secure.

## Caution

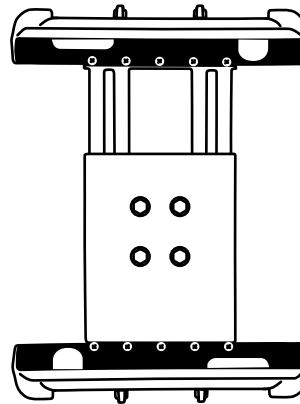
Ensure all screws and knobs are securely fastened to prevent unwanted shifting.

Not for use while operating vehicle.

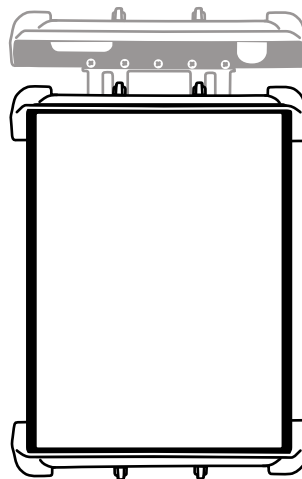
For safety reasons place mount a safe distance from airbags.

## Use Tray with Device

### Step 1

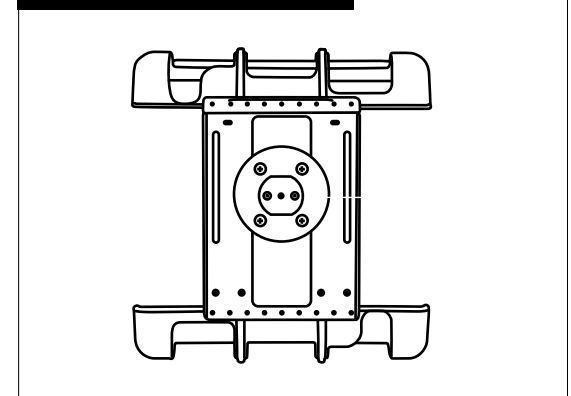


### Step 2



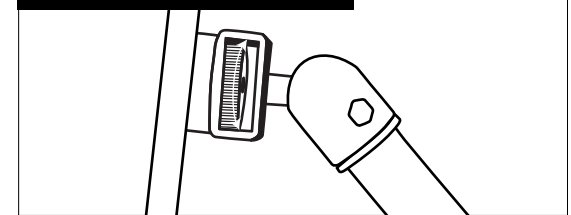
**Attach Brackets to Tray:** Step 1: Extend tray. Step 2: Place device in tray and release tray securely around device.

## Secure Holder to Mount



**Secure Holder to Mount:** Place tray into mount via magnetic connector.

## Secure Holder to Mount



**Secure Holder to Mount:** Turn red dial to secure.

## Support

For questions or concerns please contact us at:

**Customer Service Support**

Toll Free: +1.877.JOY.FACT (877.569.3228)

support@thejoyfactory.com

