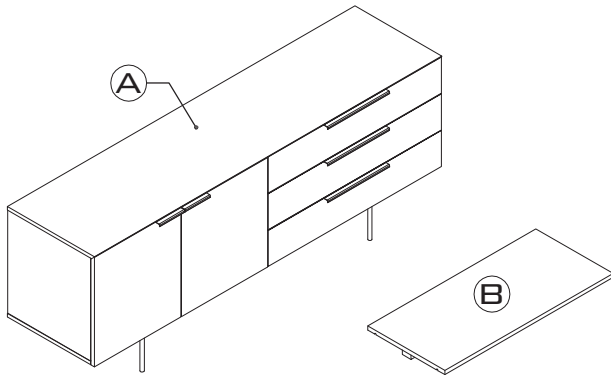


ASSEMBLY INSTRUCTIONS SIDEBOARD TRAVIS

zuiver^o



PARTS CHECK LIST

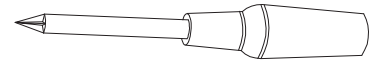
| CODE | COMPONENTS | QTY |
|------|------------|-----|
| (A) | BODY | x01 |
| (B) | SHELF | x01 |

HARDWARE CHECK LIST

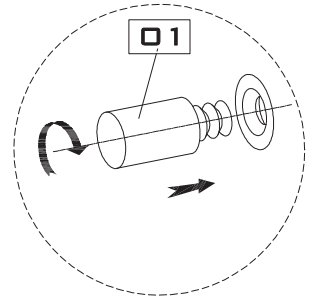
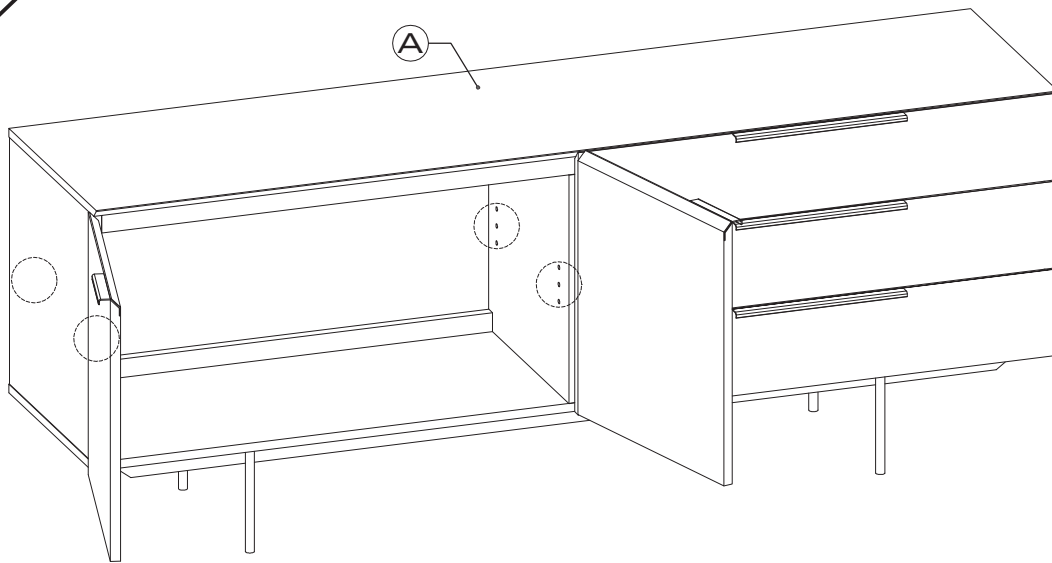
| CODE | DESCRIPTION | QTY |
|------|------------------|-----|
| 01 | SHELF PIN | x04 |
| 02 | METAL BRACKET | x04 |
| 03 | SCREW | x04 |
| 04 | PLASTIC STRAP | x02 |
| 05 | NYLON WALL STRAP | x02 |

- PLEASE DO NOT DISCARD ANY OF THE PACKAGING UNTIL YOU HAVE CHECKED ALL THE PARTS AND THE PACKS OF HARDWARE.
- BEFORE YOU BEGIN TO ASSEMBLE YOUR NEW PIECE OF FURNITURE, PLEASE CHECK TO ENSURE THAT ALL PARTS HAVE BEEN SUPPLIED.
- FOLLOW INSTRUCTIONS CLOSELY AS DEVIATION FROM THEM MAY VOID YOUR WARRANTY AND PRESENT A POSSIBLE SAFETY RISK.
- IT IS RECOMMENDED THAT ASSEMBLY IS DONE ON A SOFT SURFACE LIKE CARPET TO AVOID ANY DAMAGE.
- PERIODICALLY CHECK AND RE-TIGHTEN ANY FASTENERS. WIPE DOWN ALL SURFACES WEEKLY WITH A CLEAN CLOTH. DO NOT CLEAN ANY SURFACES WITH HARSH ABRASIVES OR CHEMICALS.

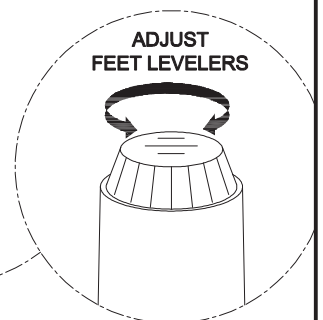
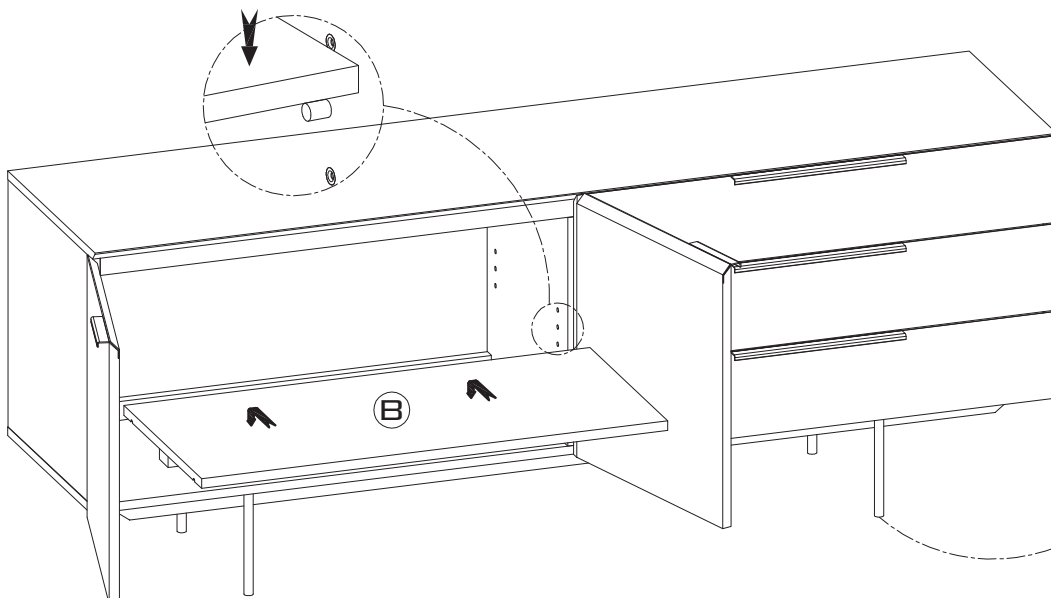
TOOLS REQUIRED
NOT SUPPLIED



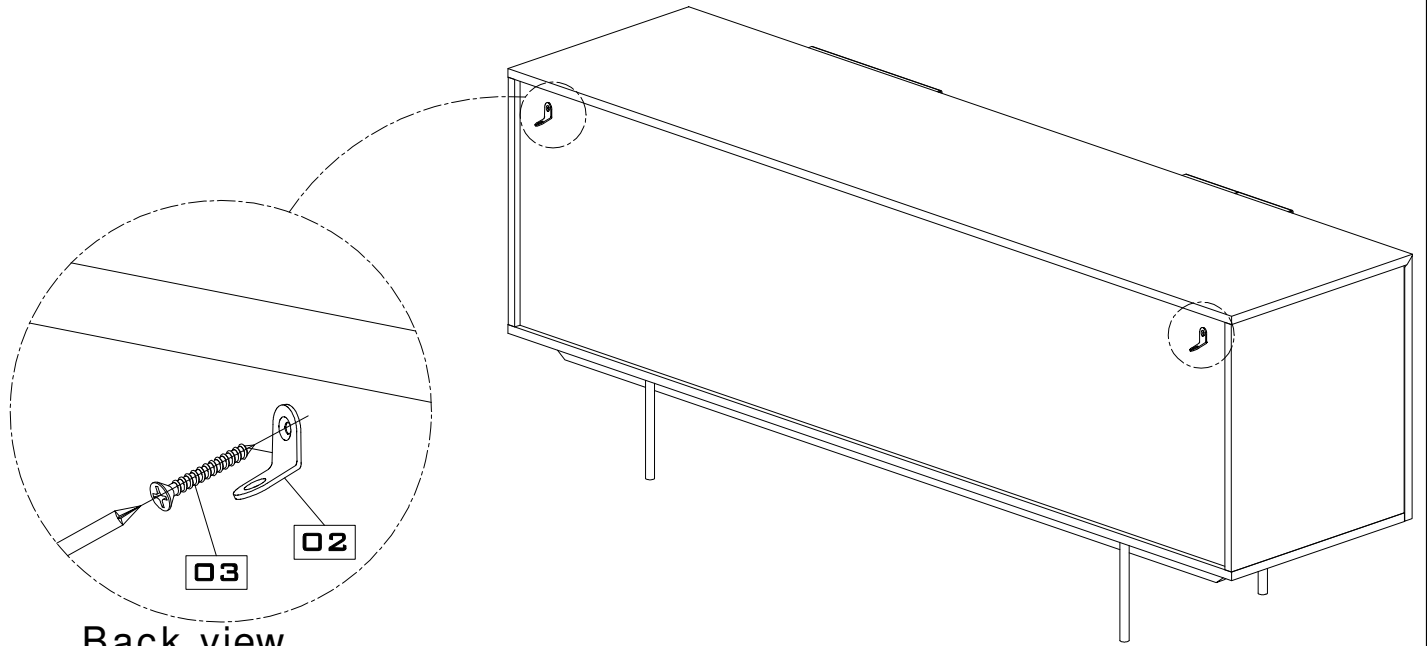
1.



2.

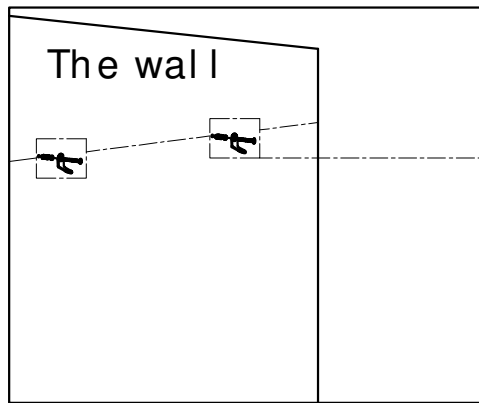


3.

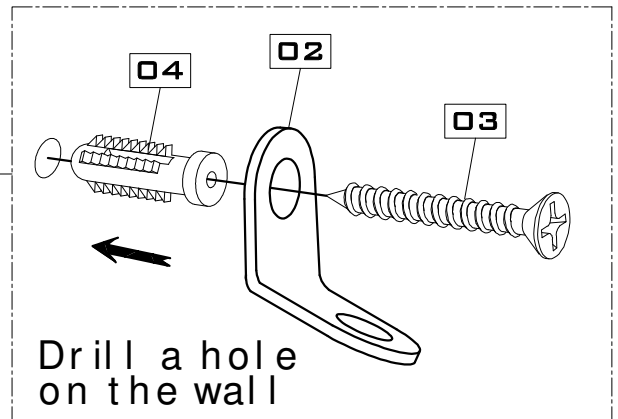


Back view

4.

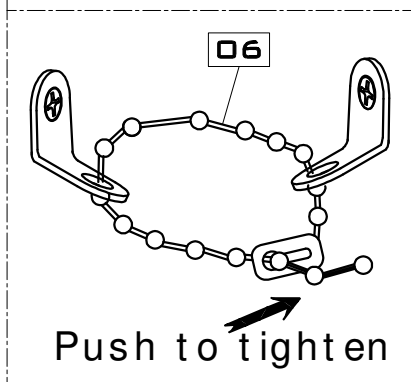
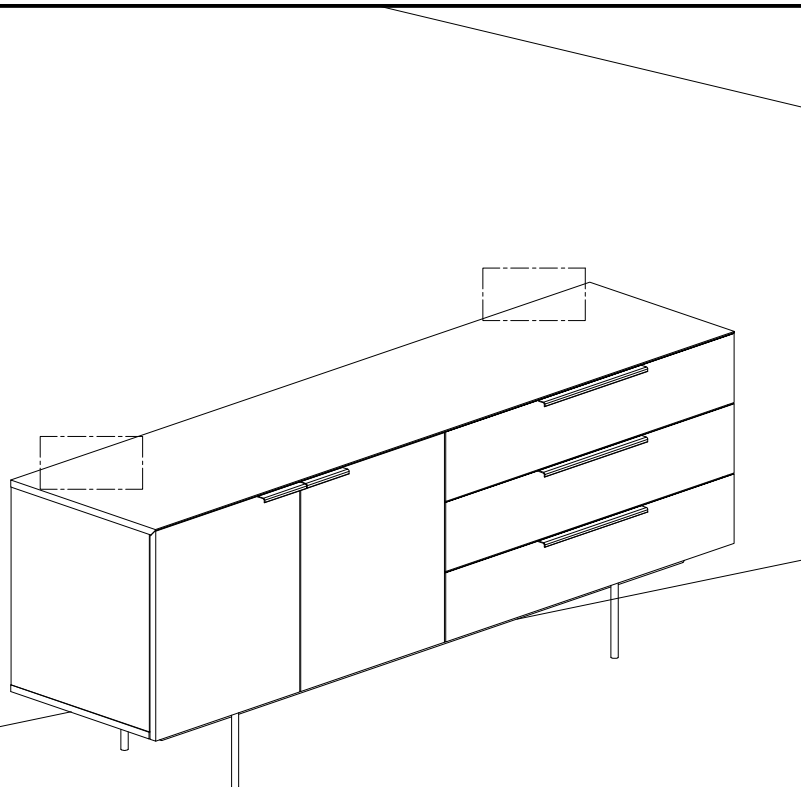


The wall



Drill a hole
on the wall

5.



Push to tighten