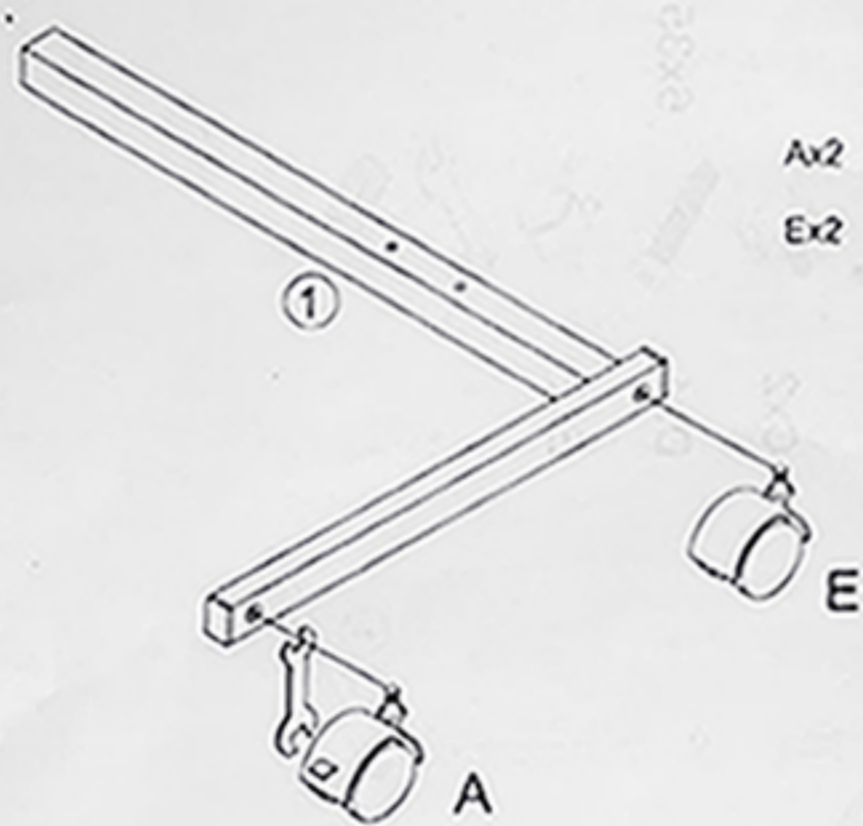


1

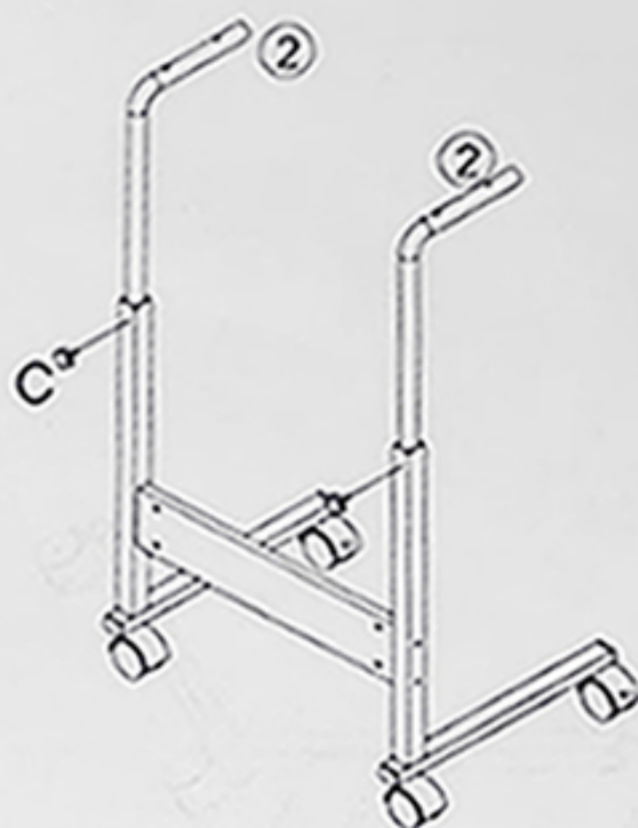


Ax2

Ex2



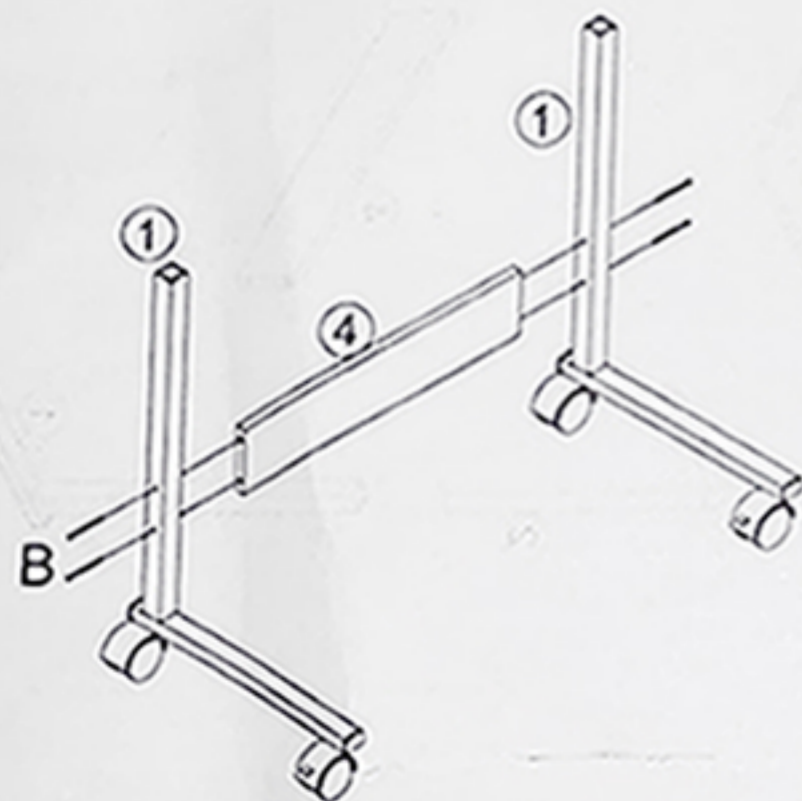
3



Cx2



2



Bx4



4



Dx4



2/3

3/3