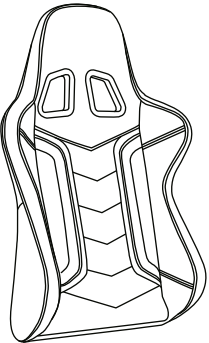
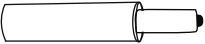
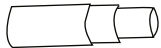
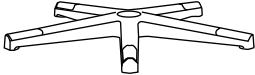
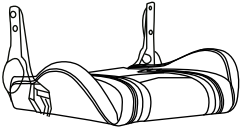
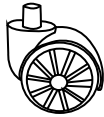

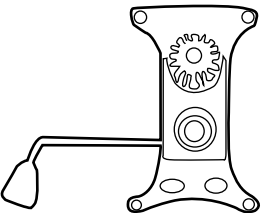



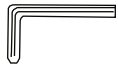
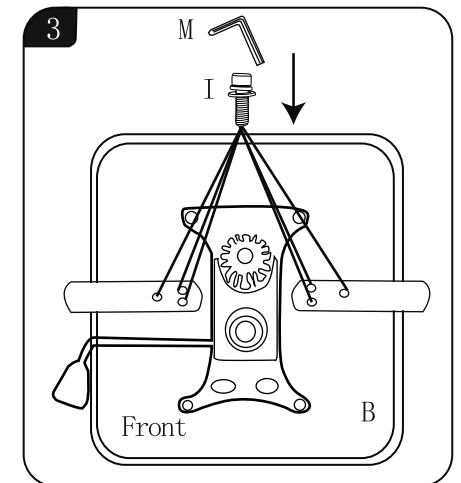
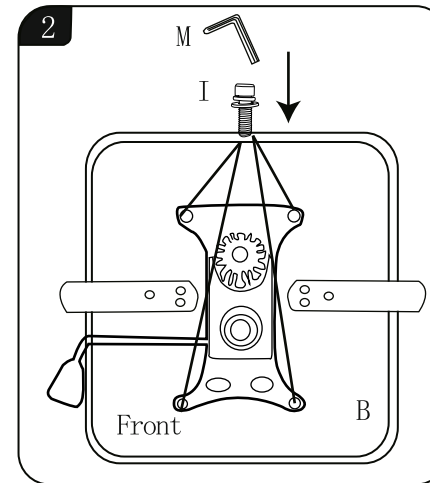
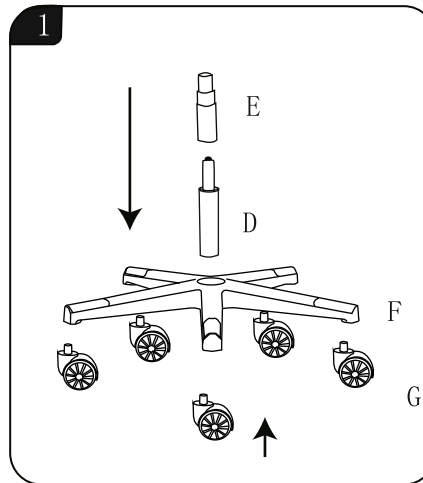


<p>A x1</p> 	<p>D x1</p> 
	<p>E x1</p> 
	<p>F x1</p> 
<p>B x1</p> 	<p>G x5</p> 
	<p>H x2</p> 
<p>C x1</p> 	<p>I x10</p>  M8X20mm
	<p>J x4</p>  M8X25mm
	<p>L x2</p>  M5X8 mm
	<p>M x1</p> 



Cleaning:

If there are stains on the surfaces of the chair, apply some polish on a soft towel and rub the stains until they dissolve.

Note: Do not apply the polish directly on the chair

