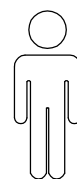
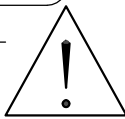
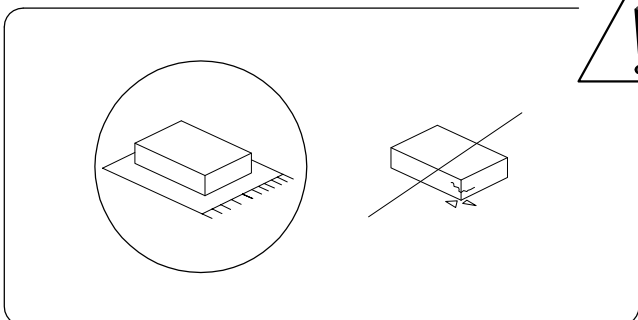
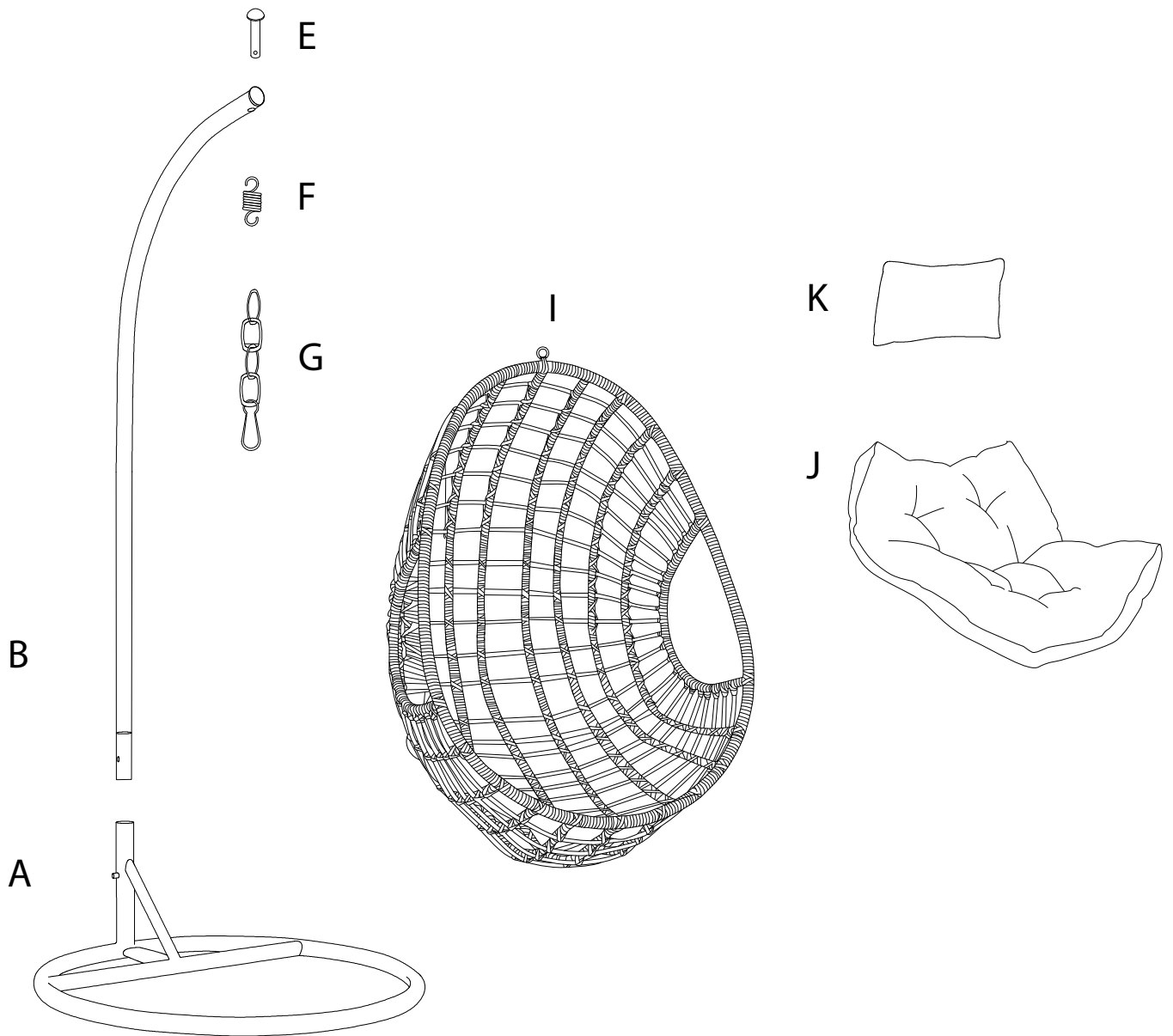
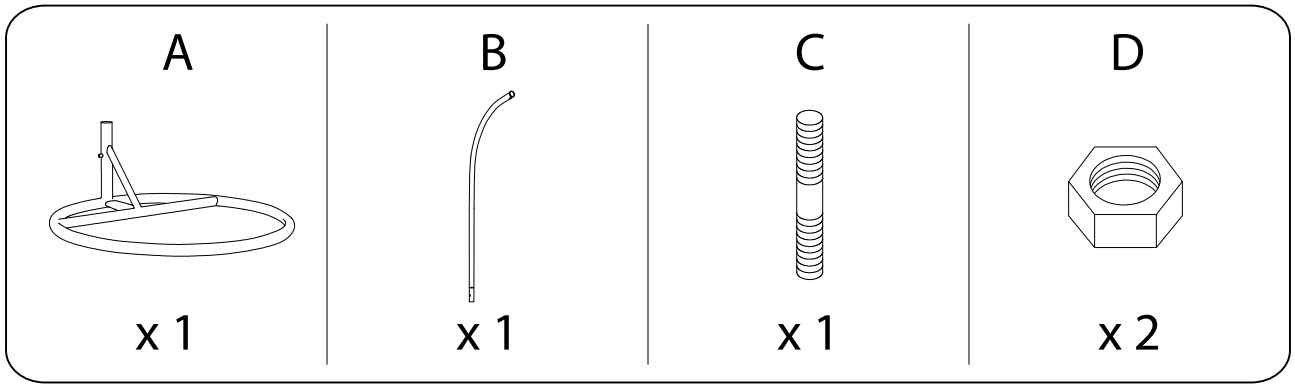


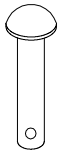
30'



1

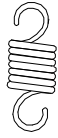


E



x 1

F



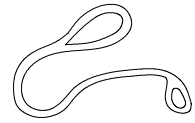
x 1

G



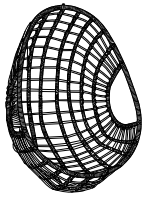
x 1

H



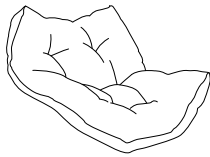
x 1

I



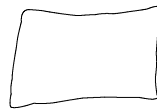
x 1

J



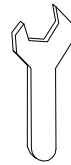
x 1

K



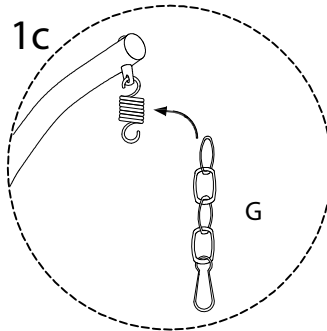
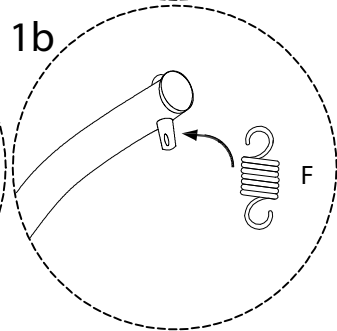
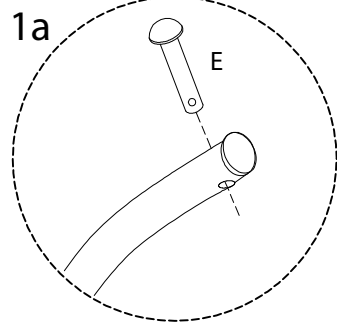
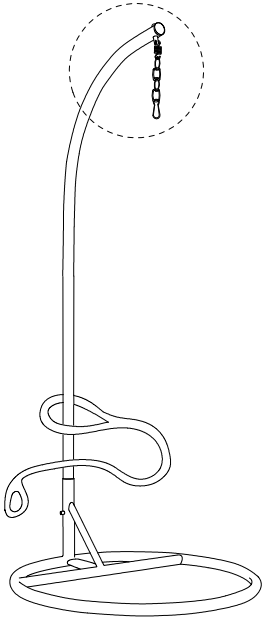
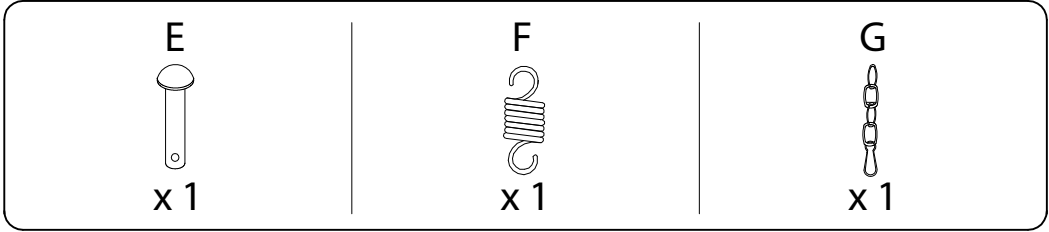
x 1

L

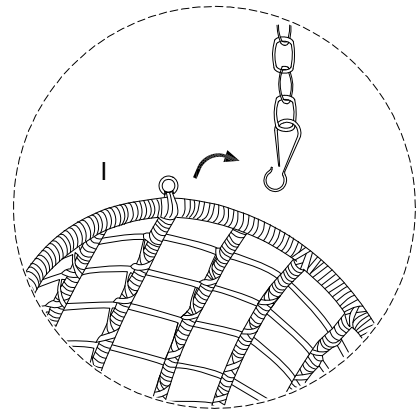
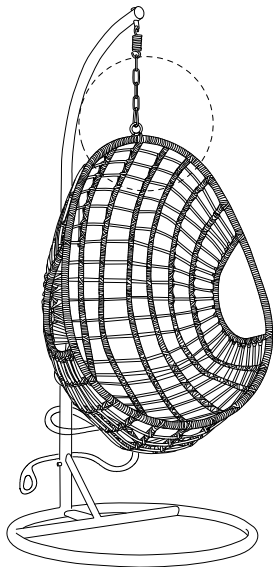
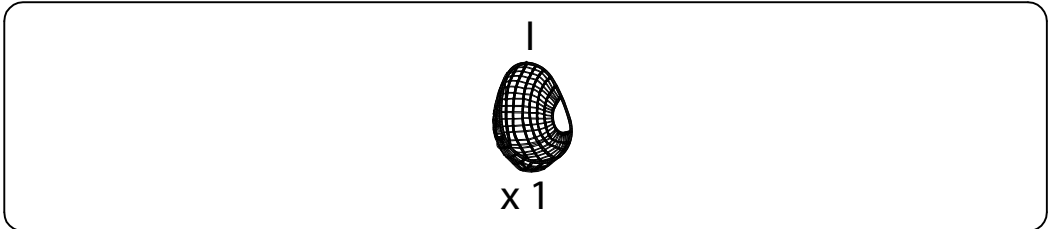


x 1

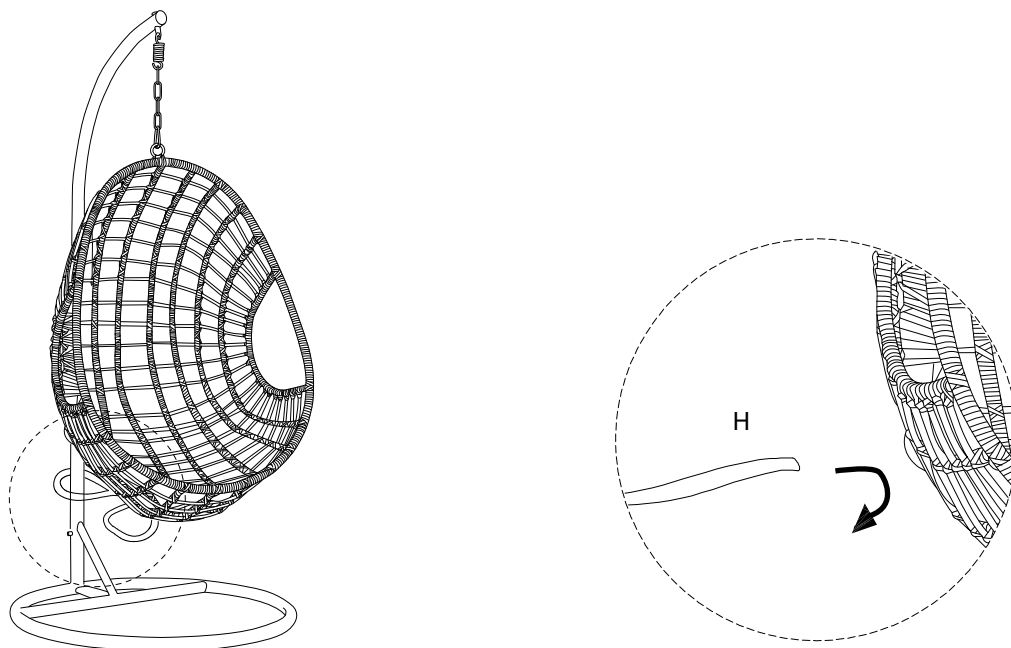
3



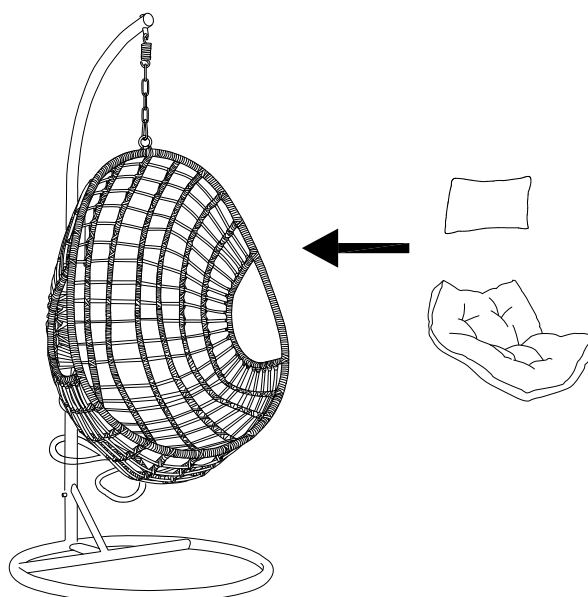
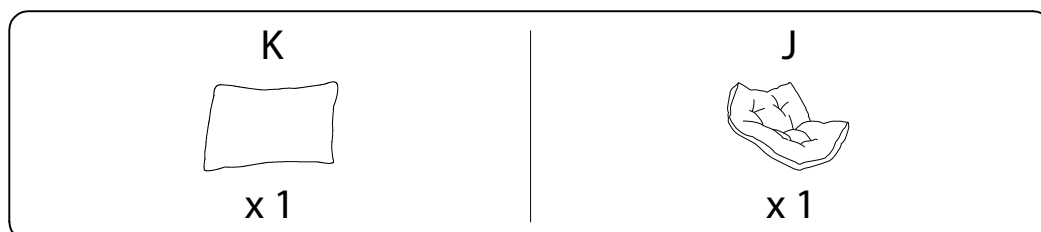
4



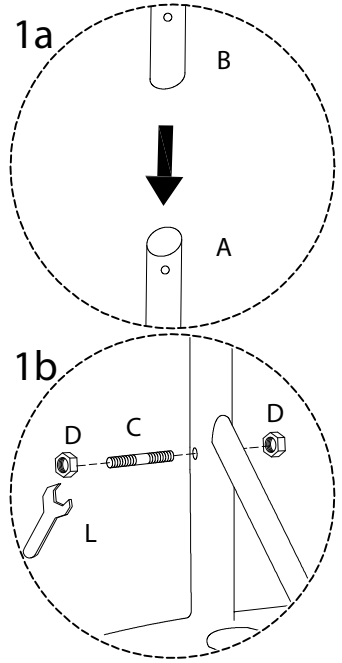
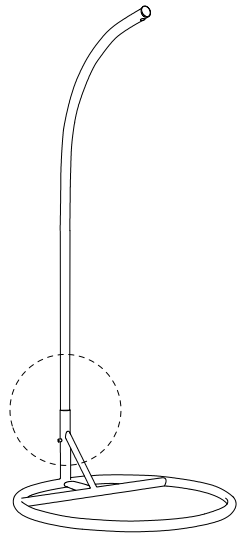
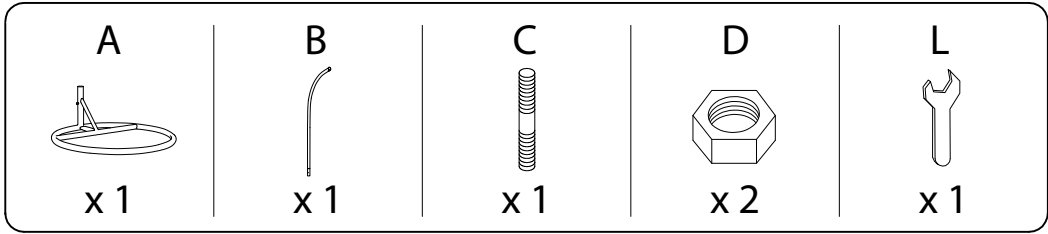
5



6



1



2

