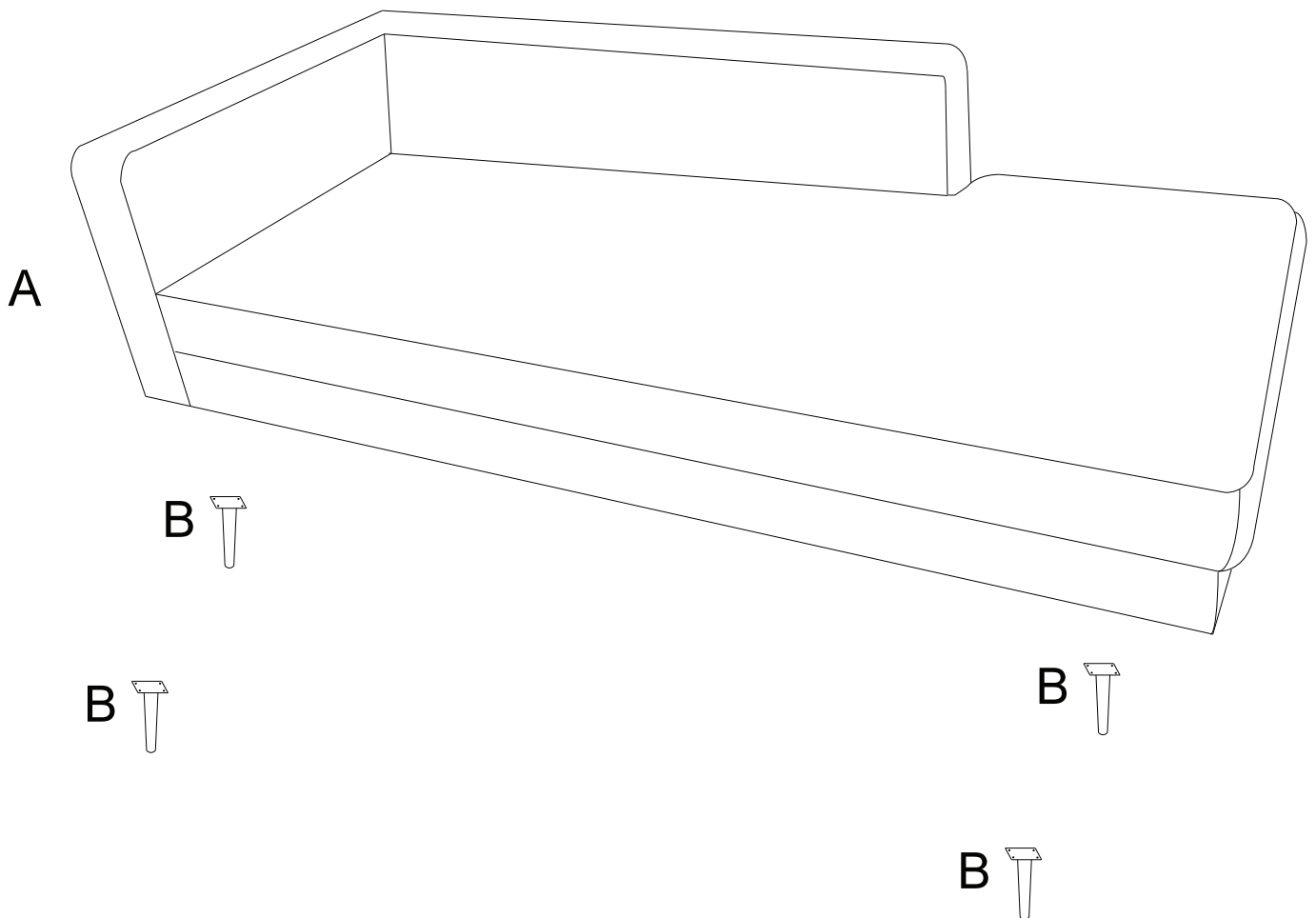
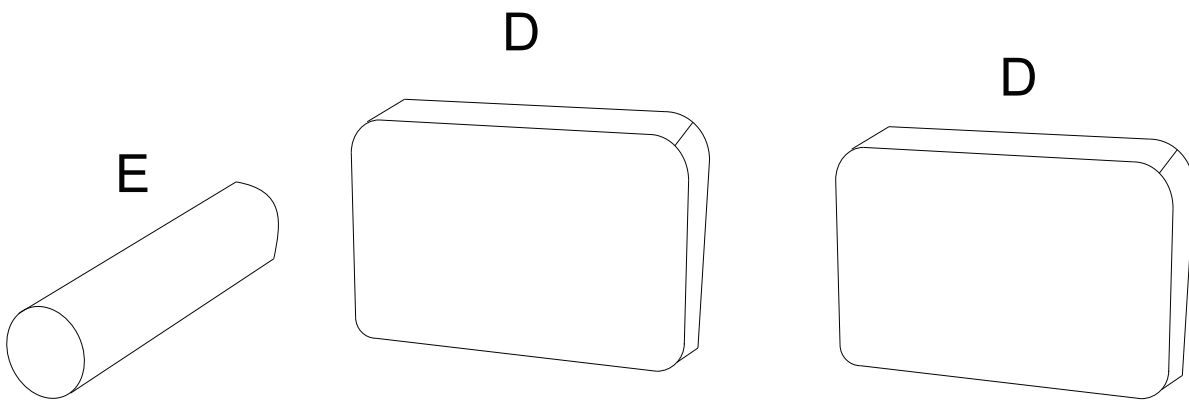
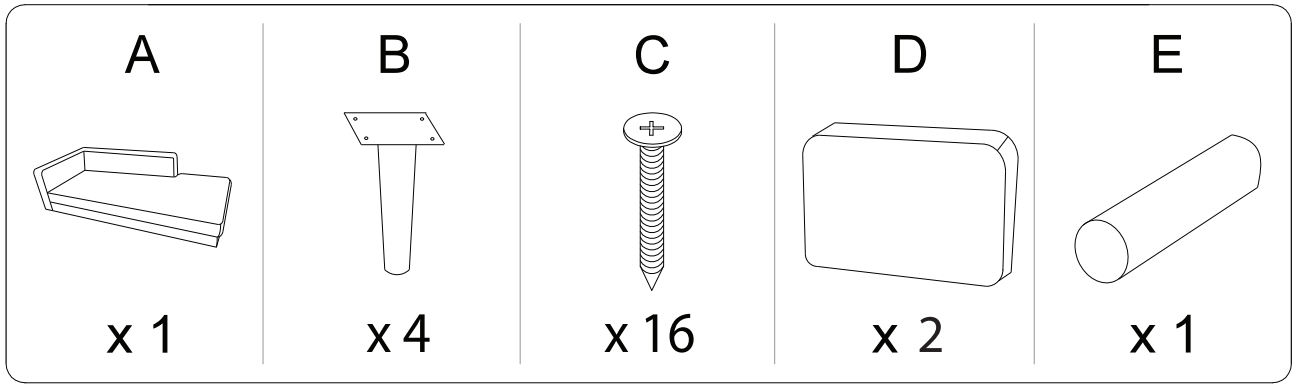


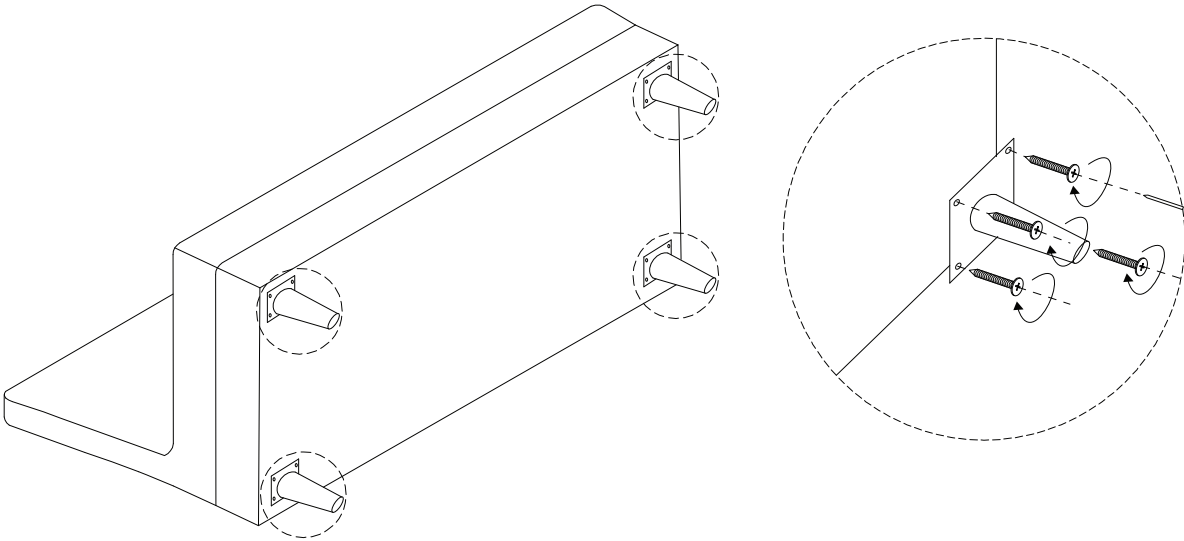
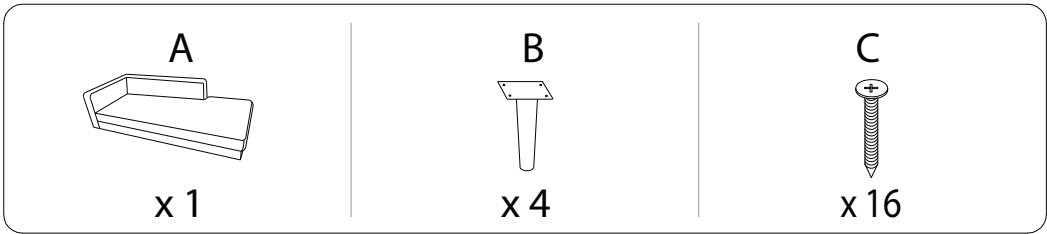
Assembly instructions for step 1/3:

- Tools:** A screwdriver is shown as the required tool. A power drill is shown with a diagonal line through it, indicating it is not to be used.
- Warning:** A warning triangle with an exclamation mark is positioned above the tool icons.
- Time:** A clock icon is shown next to the text "15'", indicating the estimated time for this step.
- Personnel:** A person icon is shown next to the number "1", indicating that one person is required for this step.

1/3



1



2

