

MODE 3 EV CHARGING CABLE

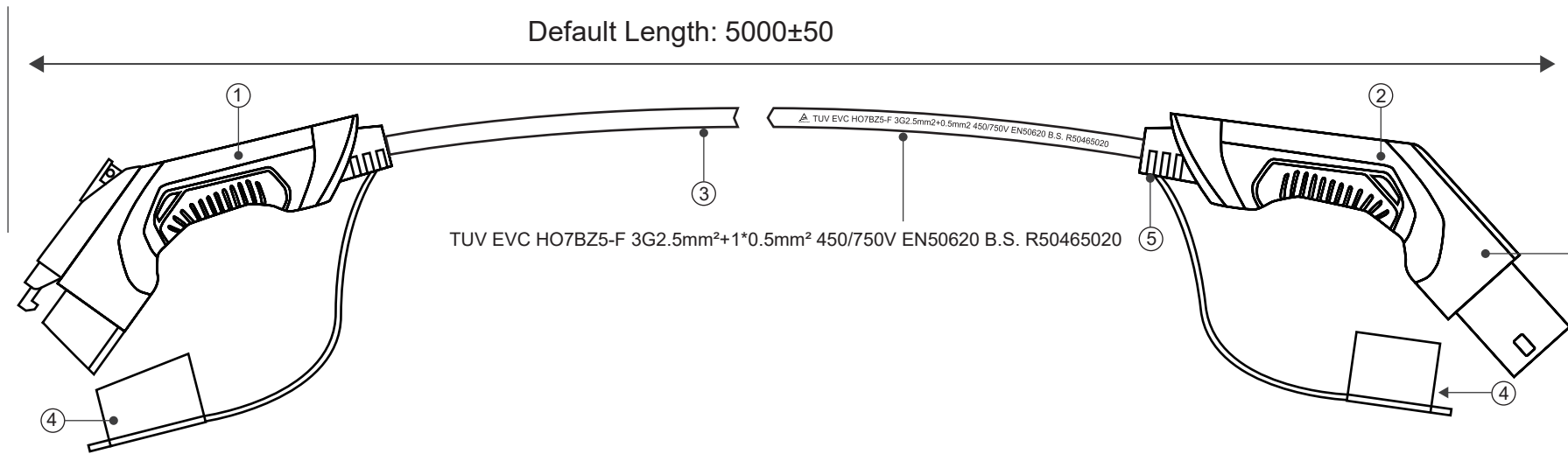
ITEM NO.: EV-1105
(Max. Power 3.6 kW)

STANDARDS/DIRECTIVES: EN 62196-1:2014
EN 62196-2:2017

REVISIONS

REV.	DESCRIPTION	DATE
A	Updating of cable specification	2020/05/22
B		

Default Length: 5000±50



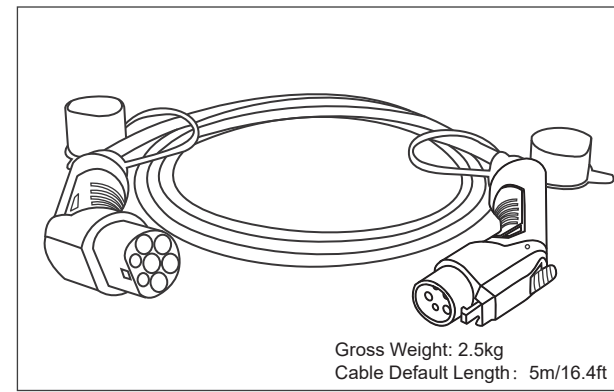
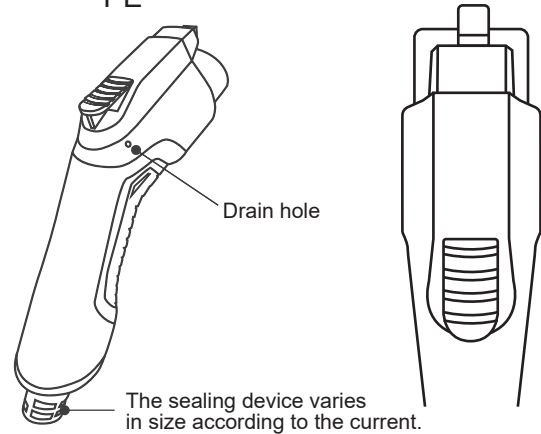
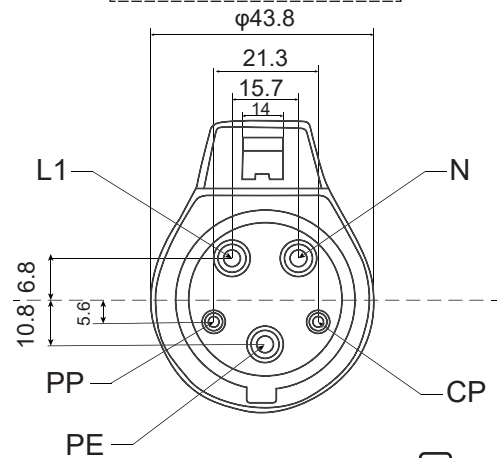
HEAT SENSOR

Both plugs have built-in temperature control. Once the set safe temperature is exceeded, the current will be cut off automatically.

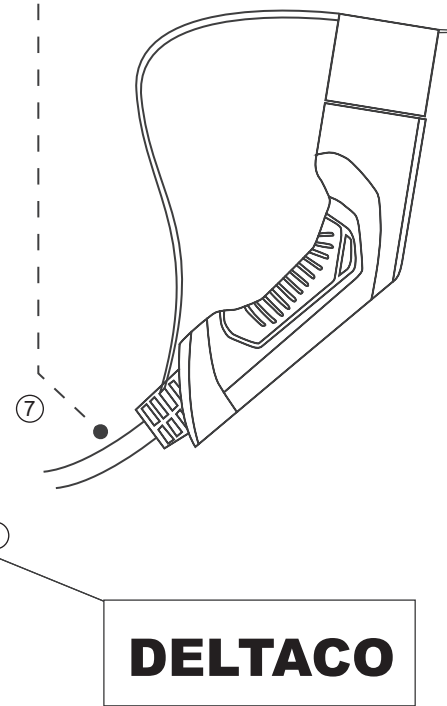
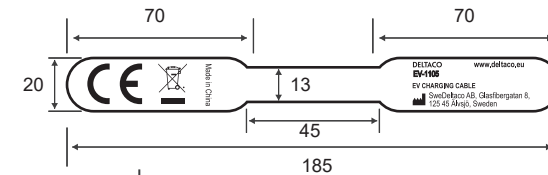
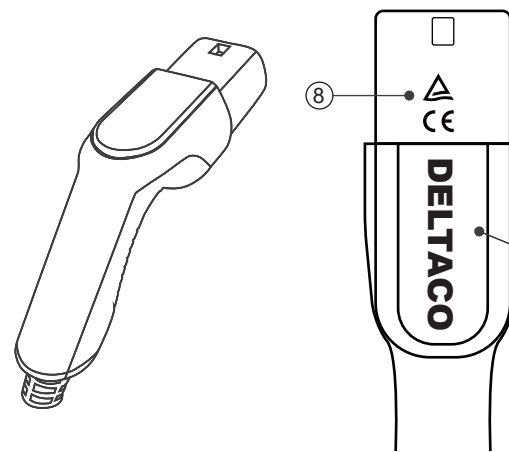
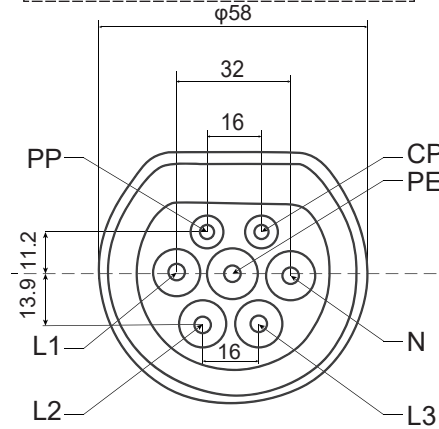
SPECIFICATION

Current: Maximum 16A
 Power Supply: 1-Phase
 Operational Voltage: 220±10% AC
 Protection Degree: IP54
 Insulation Resistance: > 10MΩ
 Insulator Flammability: UL94
 Withstand Voltage: 2000V
 Relative Humidity: 0-95% non-condensing
 Maximum Altitude: < 2000M
 Service Life: 10,000 times
 Operating Temperature: - 40 °C ~ + 100 °C

SAE J1772 (TYPE 1)



IEC 62196-2 (TYPE 2-MALE)

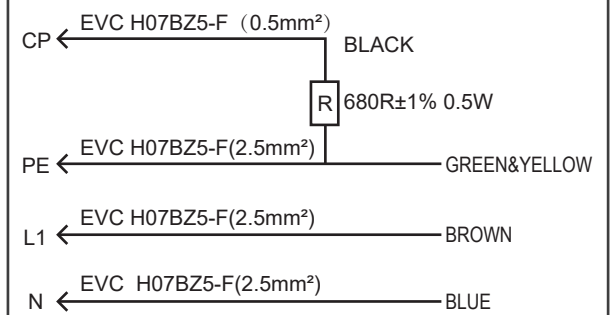


DELTACO

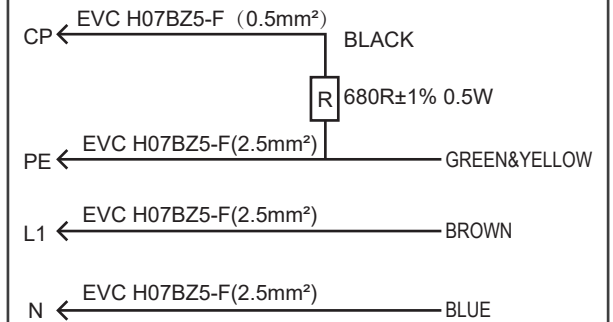
PRODUCT ADVANTAGES:

- Uniquely designed plug terminals with self-cleaning function to prevent electric sparks
- Silver-plated plug terminals with good conductivity to prevent over-heating
- Detection and control of inner temperature to ensure charging safety
- Integrated plug design with excellent waterproof performance to support outdoor use
- Solid plug structure can withstand the rolling of a vehicle

TYPE 1 (SAE J1772) CONNECTOR



TYPE 2 (IEC62196-2) CONNECTOR



ITEM	DESCRIPTION	DEFAULT COLOR
①	Plug SAE J1772 (Type 1)	BLACK
②	Plug IEC 62196-2 (Type 2 - male)	BLACK
③	TUV licensed EV charging cable	BLACK
④	Waterproof cover	BLACK
⑤	Sealing device	BLACK
⑥	Customized laser printed logo	GREY
⑦	Customized CE tag on cable	BLACK
⑧	Printed CE & TUV logo on plug	WHITE



	SIGNATURE
SAFETY ENGINEER	
MANAGER BY:	
CHECKED BY:	
DRAWN BY:	

DELTACO	
ITEM NO.: EV-1105	DATE: 2020/05/19
UNIT: mm	SHEET: 1 OF 1
DWG NO: BSCNC07	
REV. A	